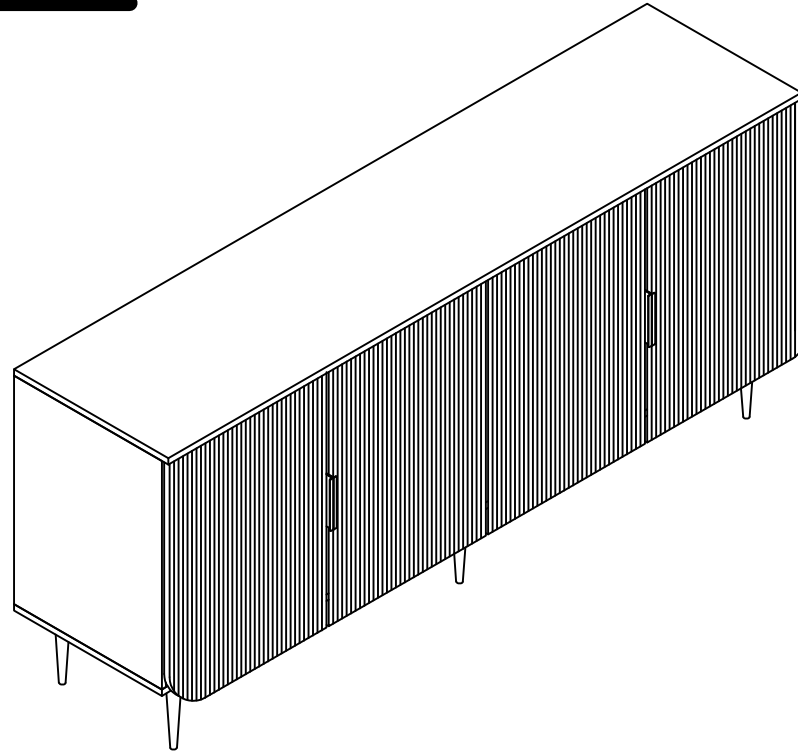


Assembly Instructions



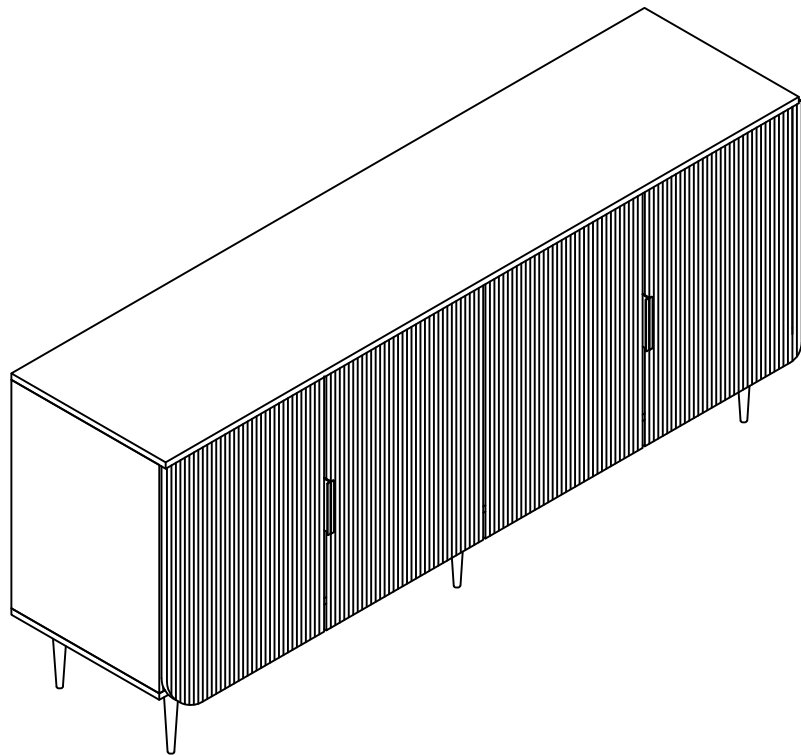
Thank you for your purchase.

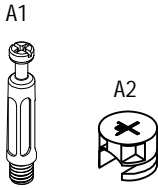
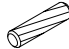

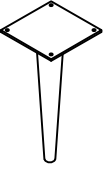
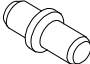
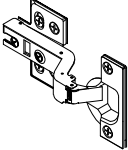
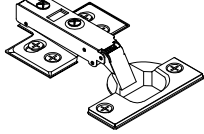



Please follow the instructions below for correct assembly.

▲ For higher efficiency, we recommend to use a power drill; the power drill should be set on the low speed to avoid screw stripping.

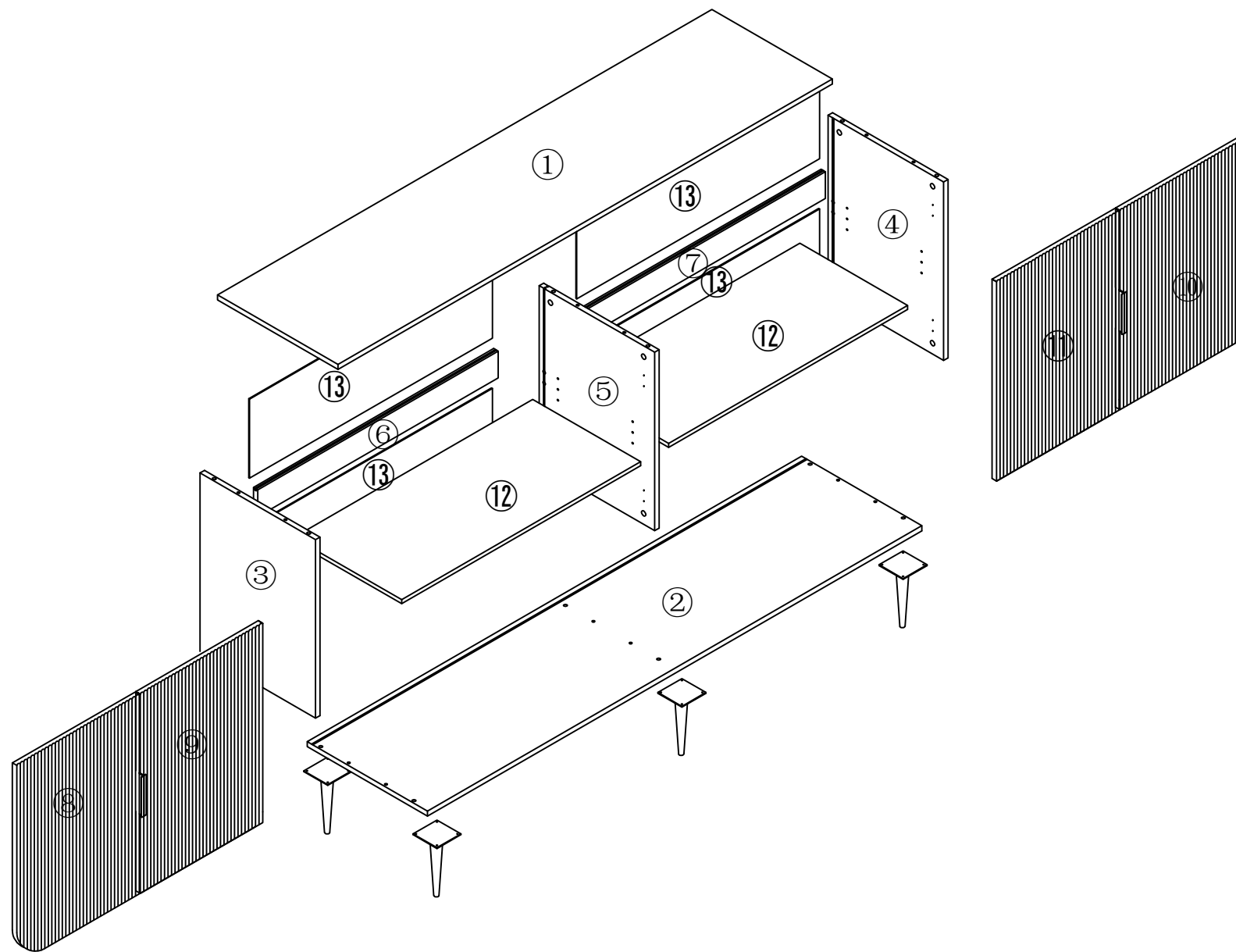
▲ CAUTION

This package contains small parts and hardware; keep it from children to avoid accidental swallowing



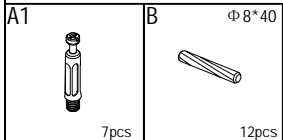
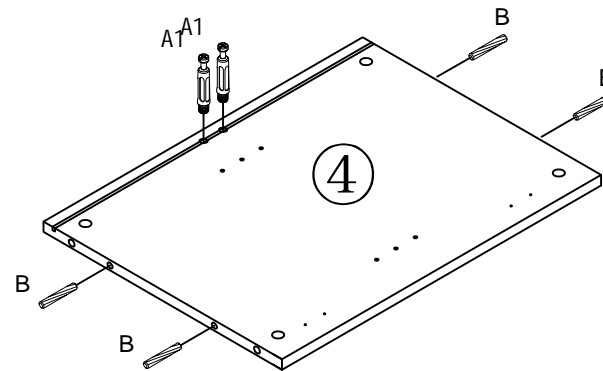
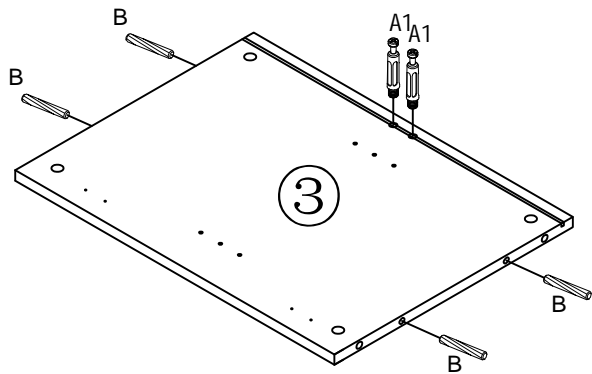
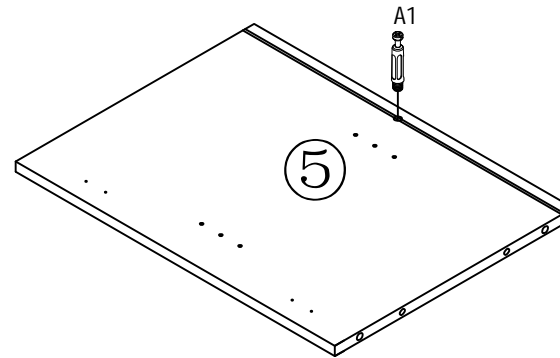
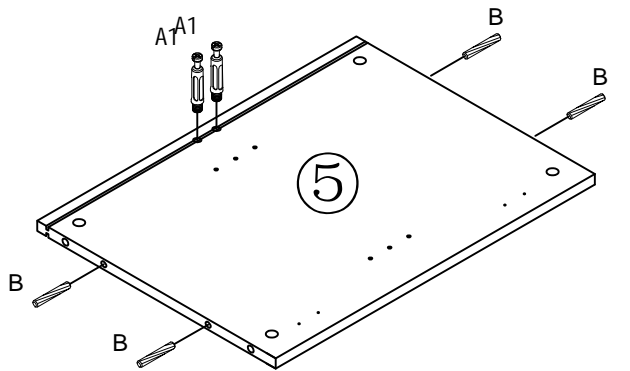
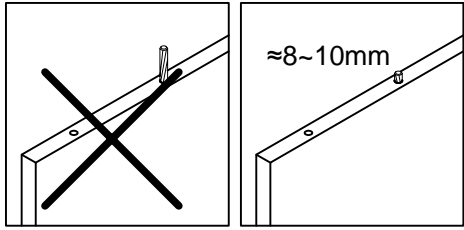
 <p>A1 A2</p>	 <p>Φ 8*40</p>		
<p>A 19pcs</p>	<p>B 12pcs</p>	<p>C 4pcs</p>	<p>D 6pcs</p>
			 <p>Φ 3.5*14</p>
<p>E 8pcs</p>	<p>F 4pcs</p>	<p>G 4pcs</p>	<p>H 80pcs</p>
 <p>I1 I2</p>			
<p>I 16pcs</p>	<p>J 19pcs</p>		

Note: Please distinguish between F and G hinges.
If any parts are missing or damaged, please feel free to contact us

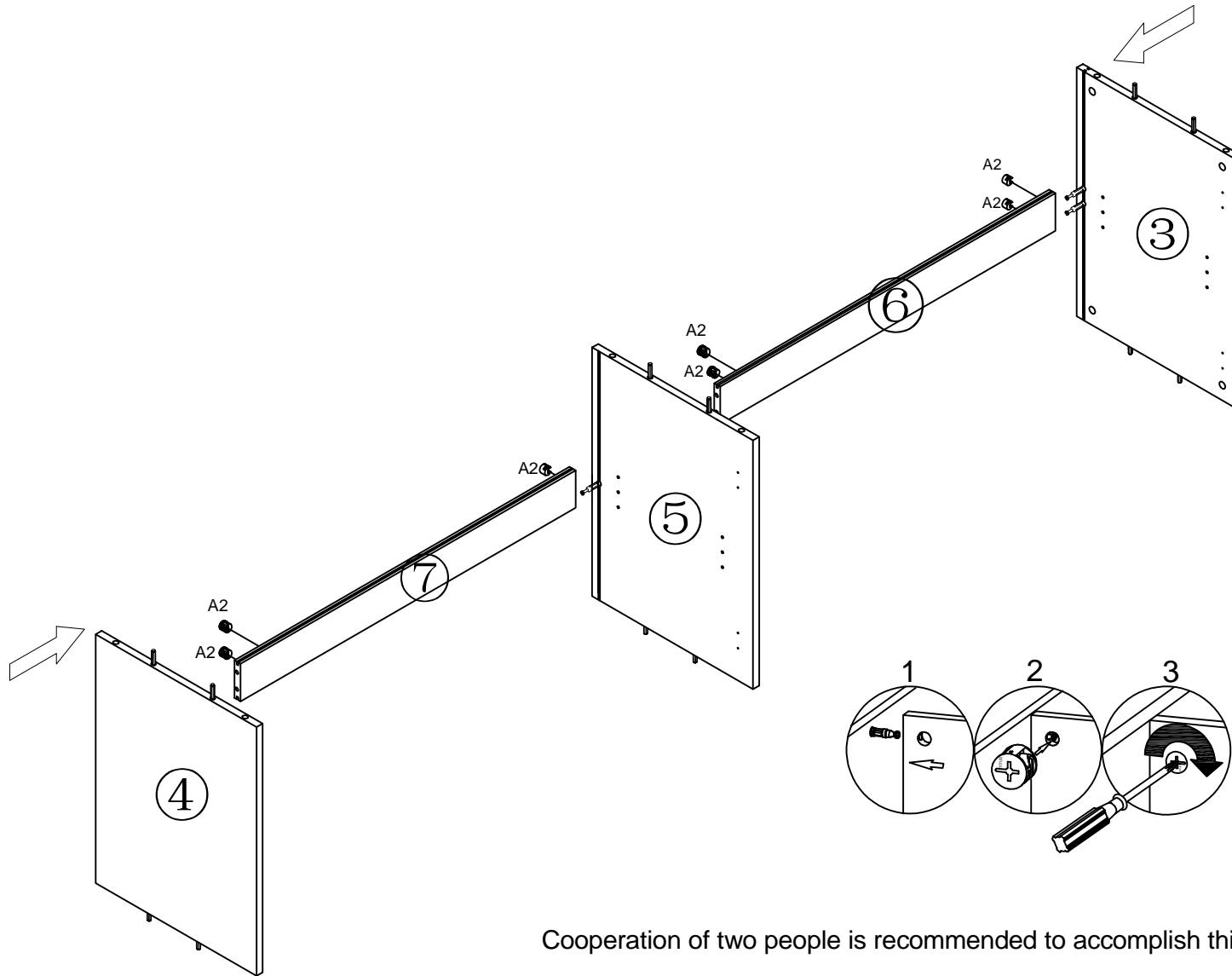


1

Please hand-insert the pegs(Hardware B) all the way in.



2



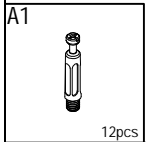
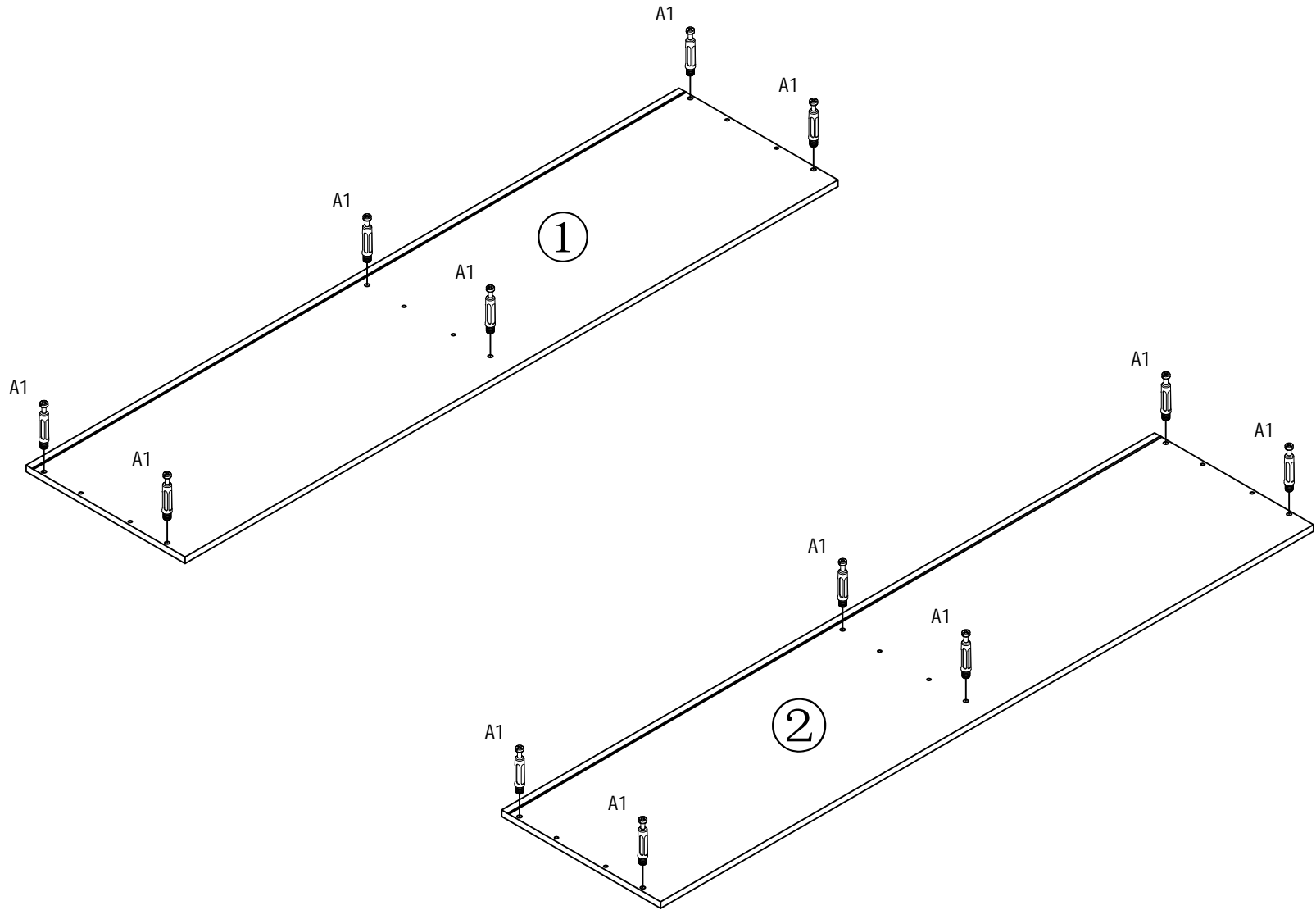
Cooperation of two people is recommended to accomplish this step.

A2

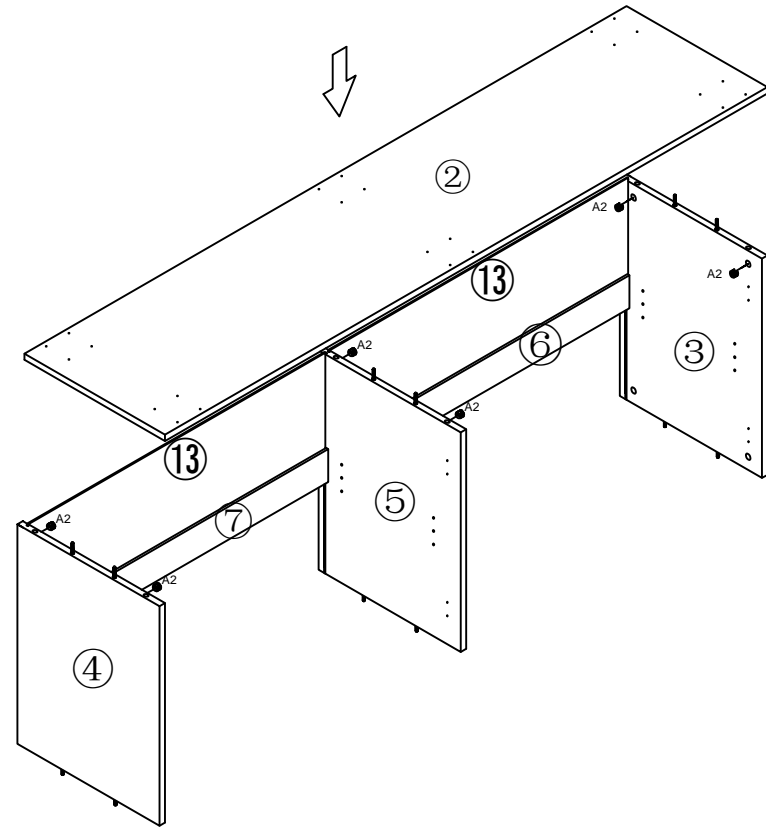
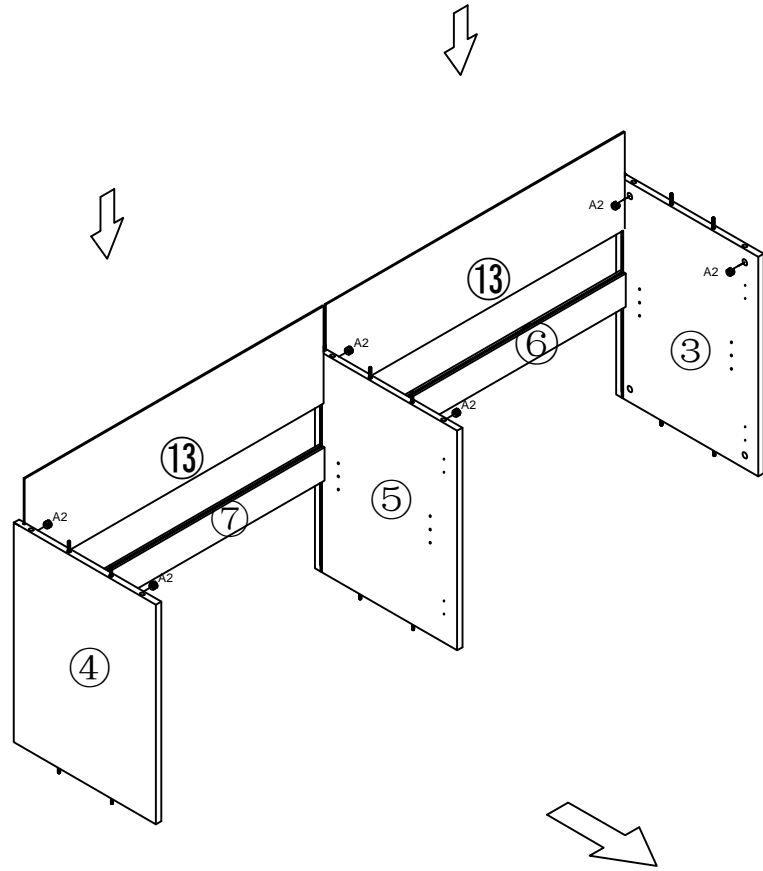


7pcs

3



4

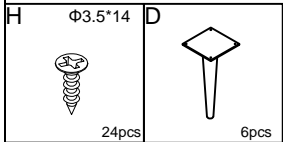
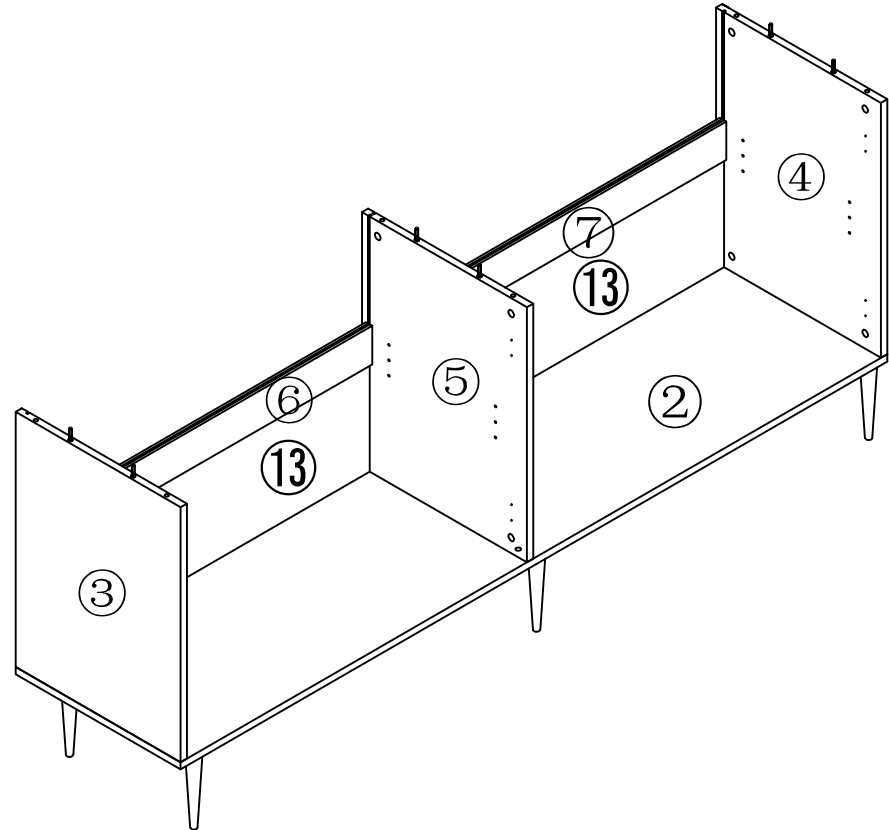
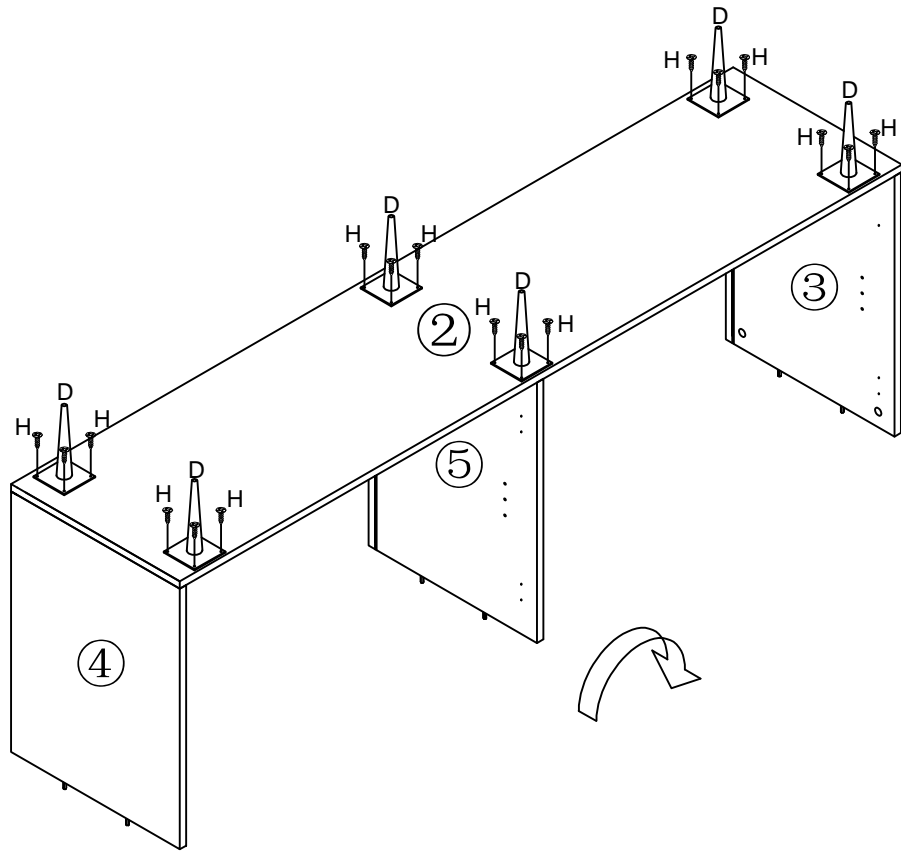


A2

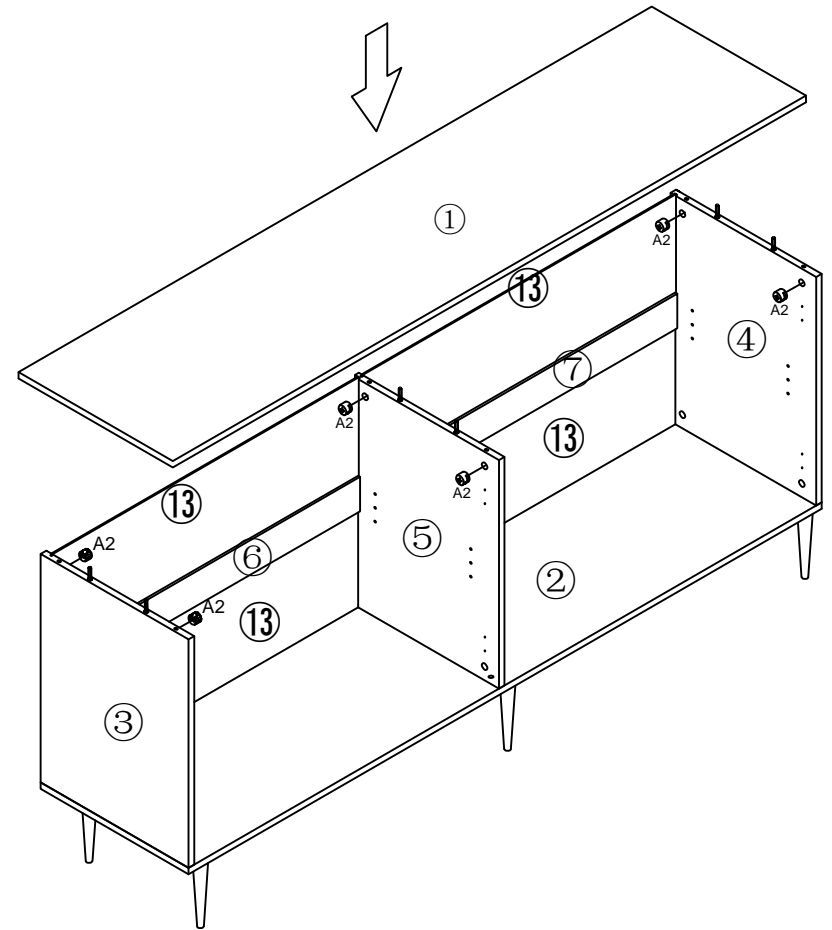
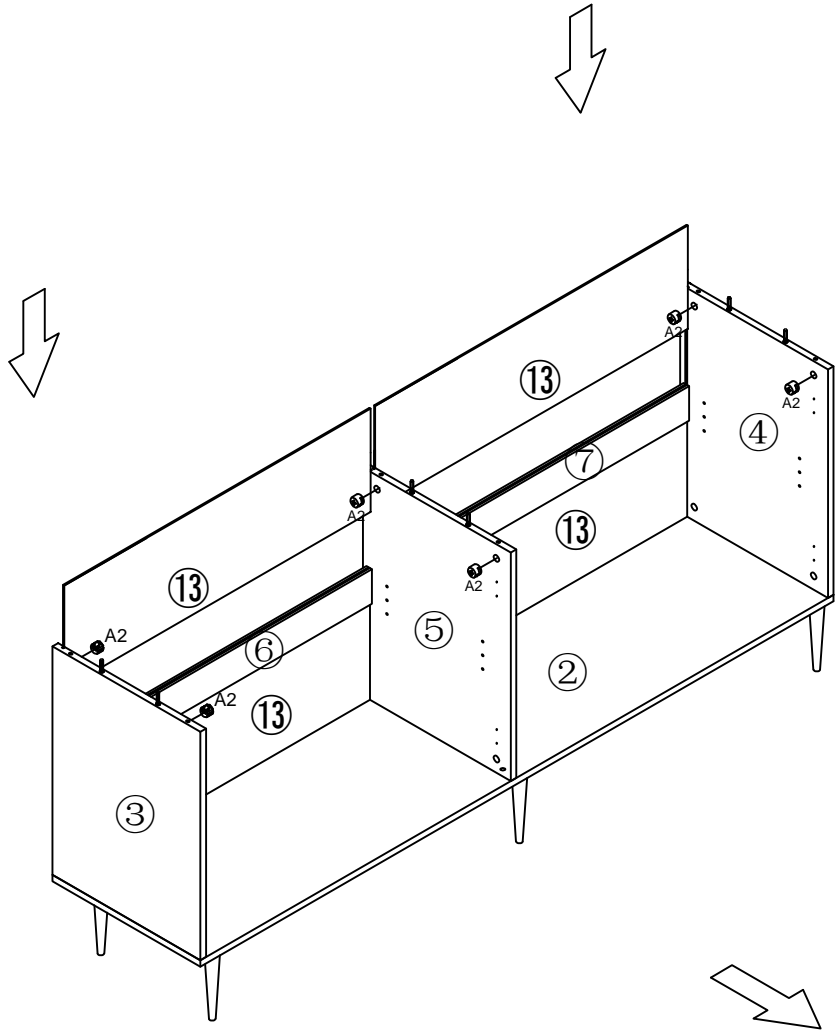


6PCS

5



6

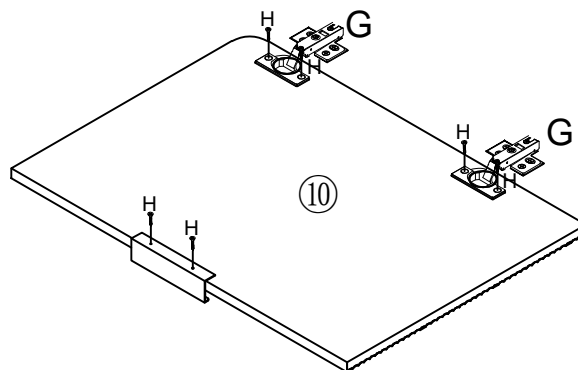
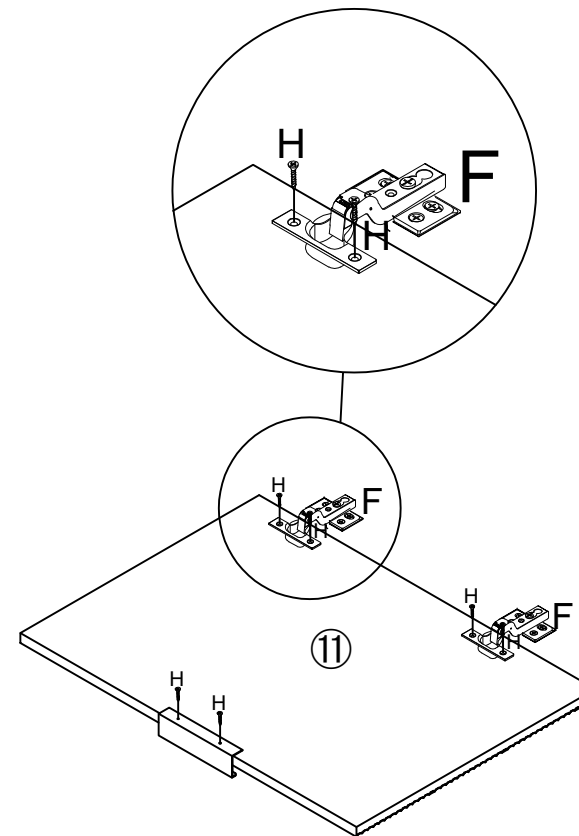
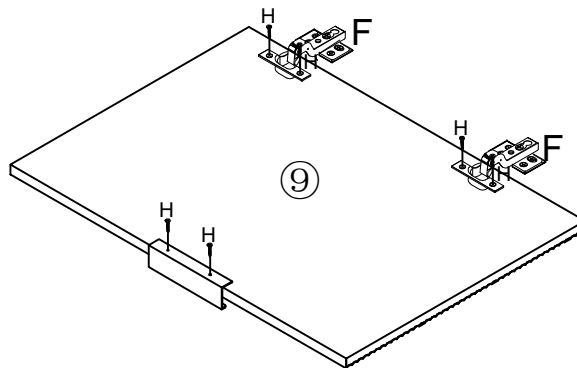
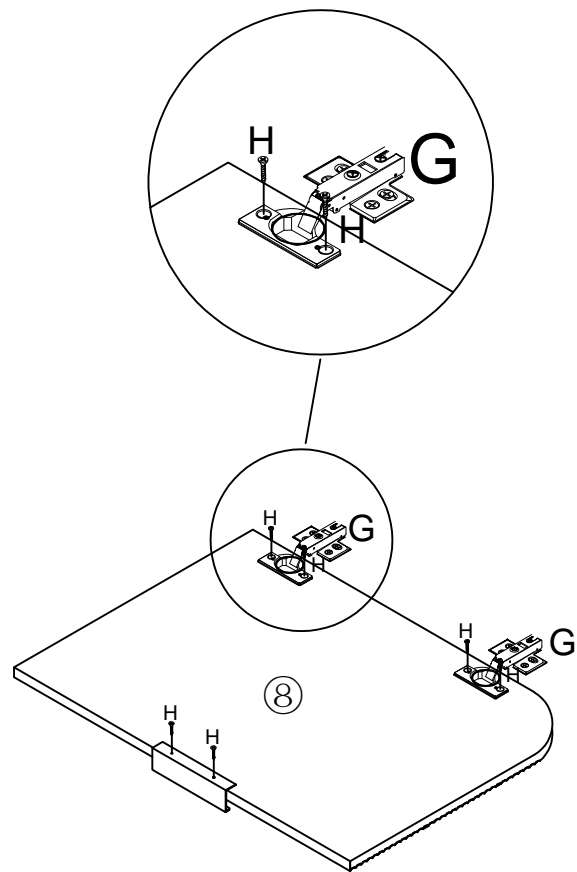



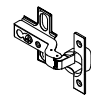
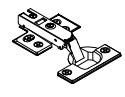

A2



6pcs

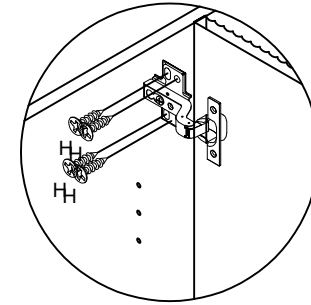
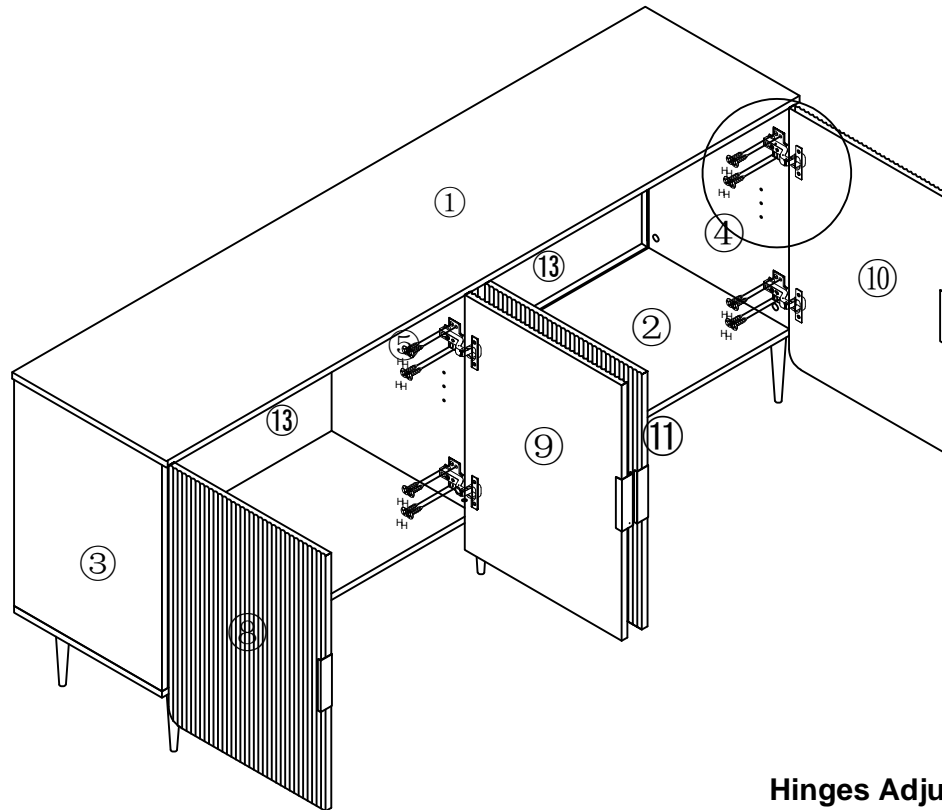
7



C	F	G	H	$\Phi 3.5 \times 14$
				
4pcs	4pcs	4pcs	24pcs	

8

First, install the two screws on the rear side, then adjust the height of the cabinet door. After that, install the two screws on the front side.



Details

Hinges Adjustment Video:

If the gap between the door and frame is too large or too small after installation, adjust the hinges to achieve the desired spacing.



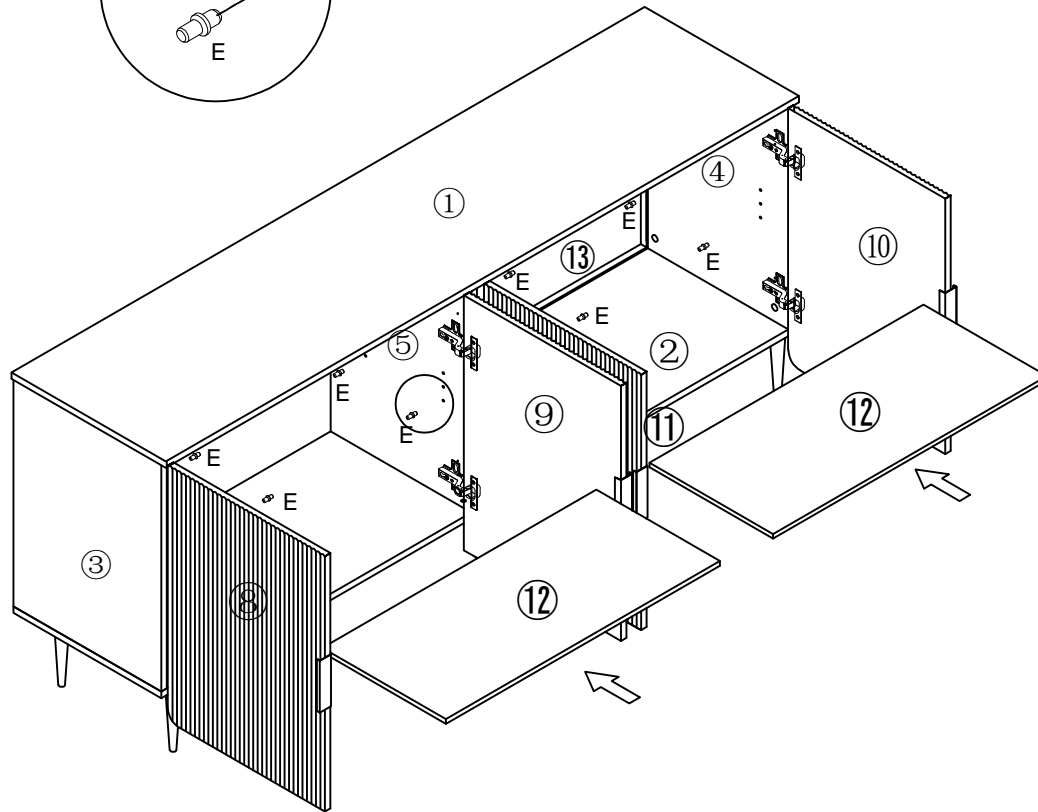
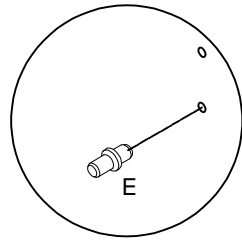
Scan the QR code.

H $\Phi 3.5 \times 14$



32pcs

9

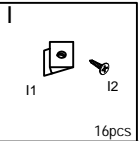
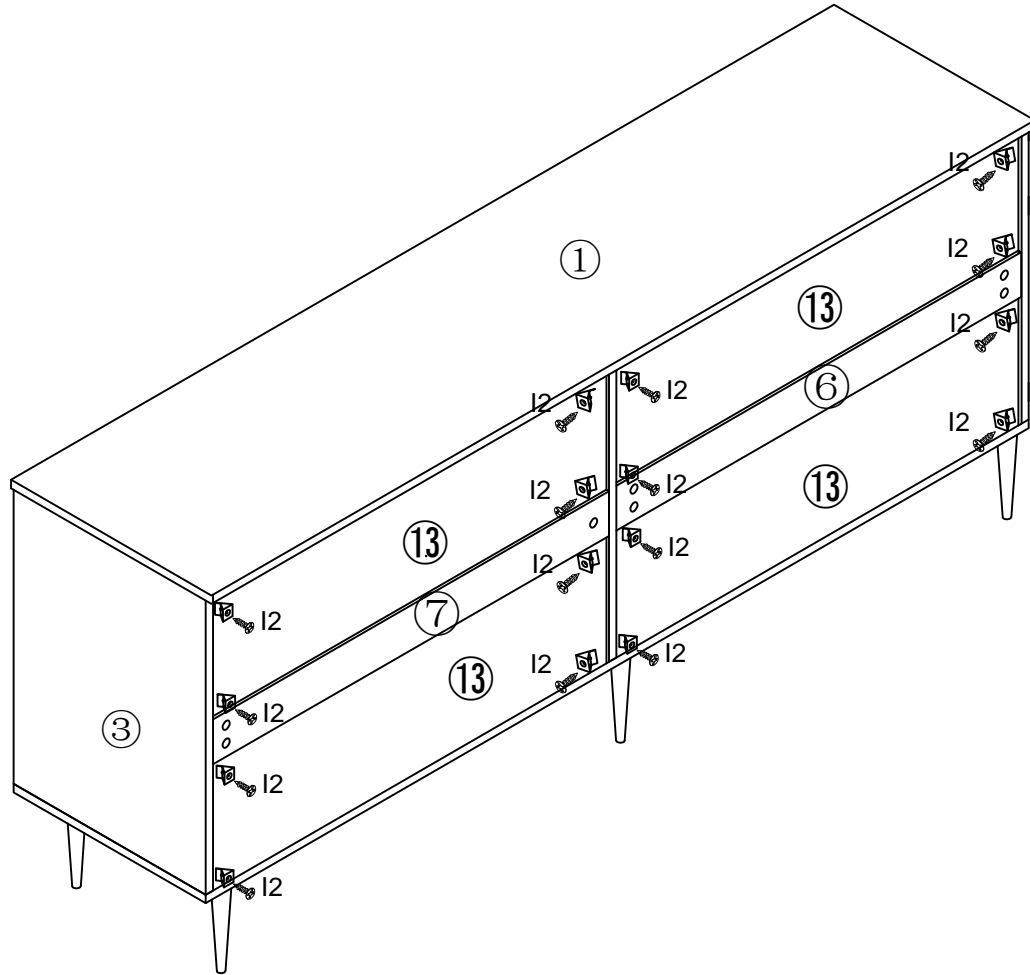


E



8pcs

10



11

