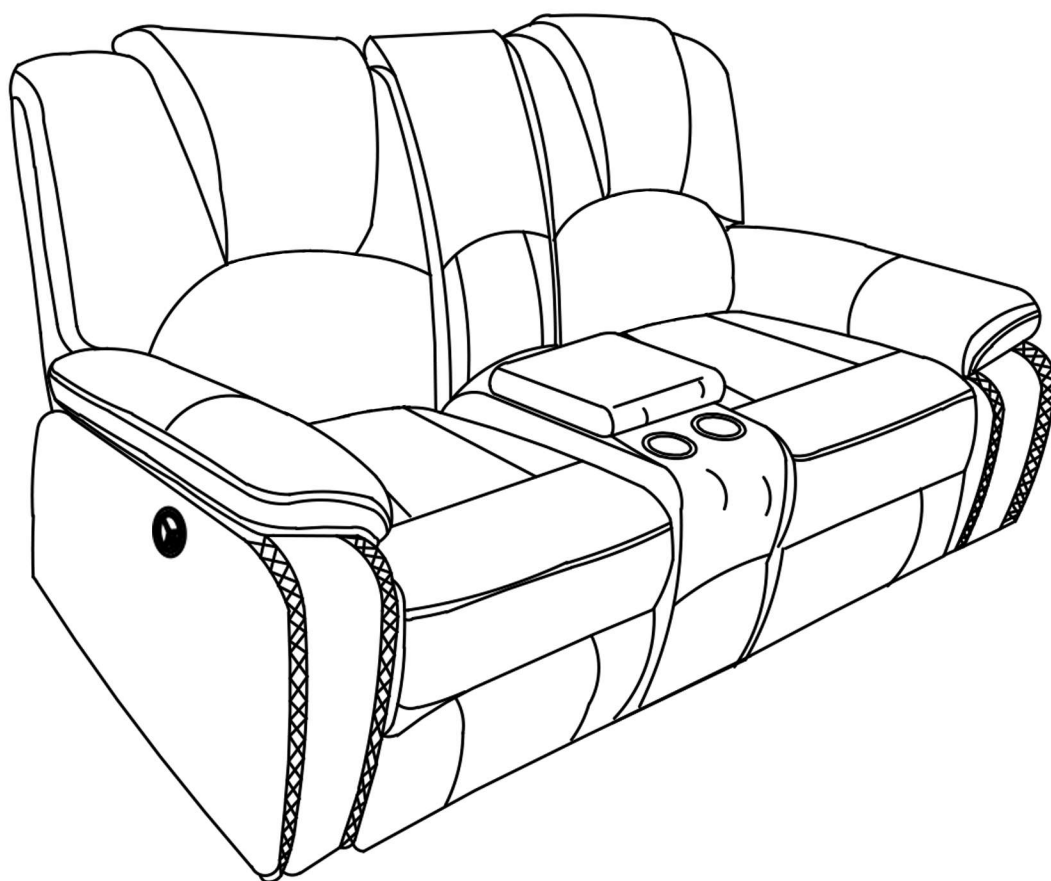
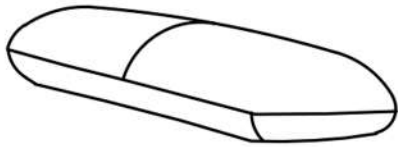


ASSEMBLY INSTRUCTIONS



PARTS AND HARDWARE

Avoid using sharp objects such as a knife to cut open packing as you may accidentally damage the upholstery.



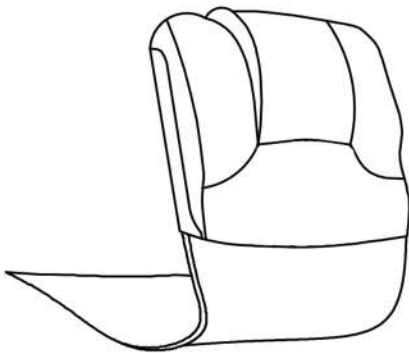
Left Arm 1x



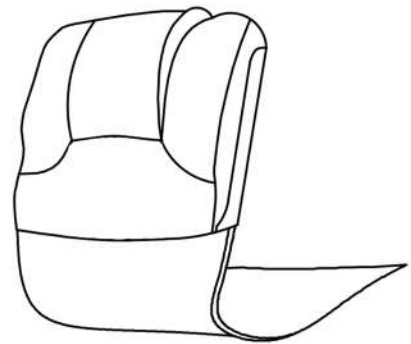
Right Arm 1x



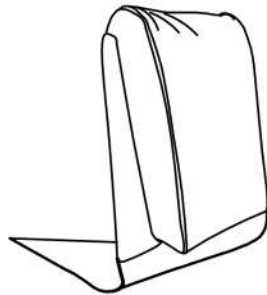
Bolt 4x



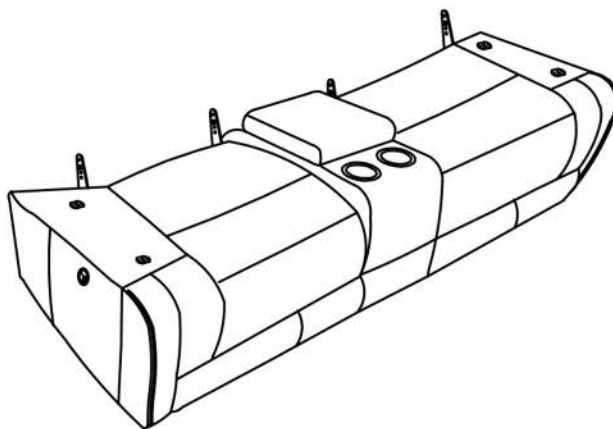
Left Backrest
1x



Right Backrest
1x



Console Backrest
1x



Seat Body
1x

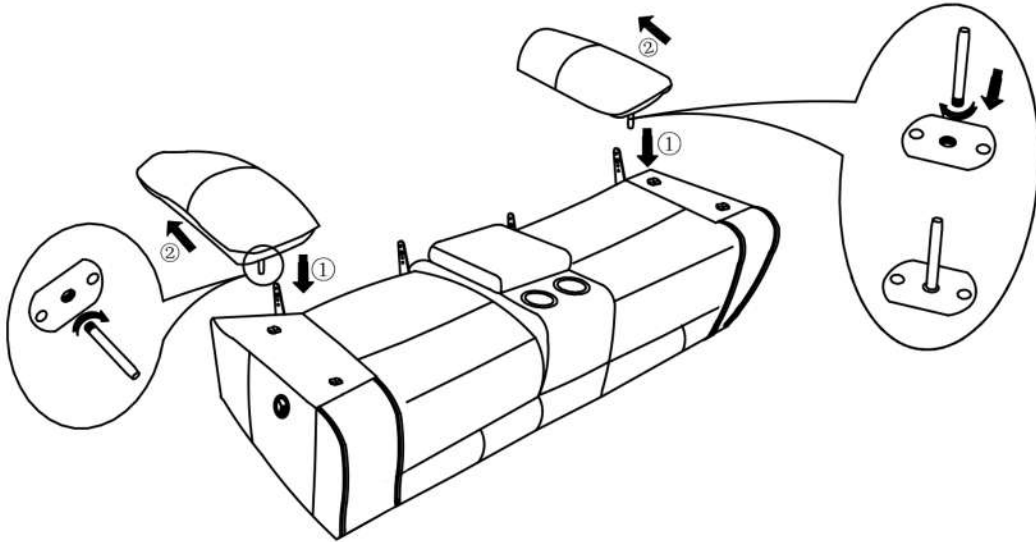
ASSEMBLY INSTRUCTIONS

CAUTION: At least two adults are required to safely complete performing this task.
Other lifting attempts may risk back injury due to large and heavy part(s).

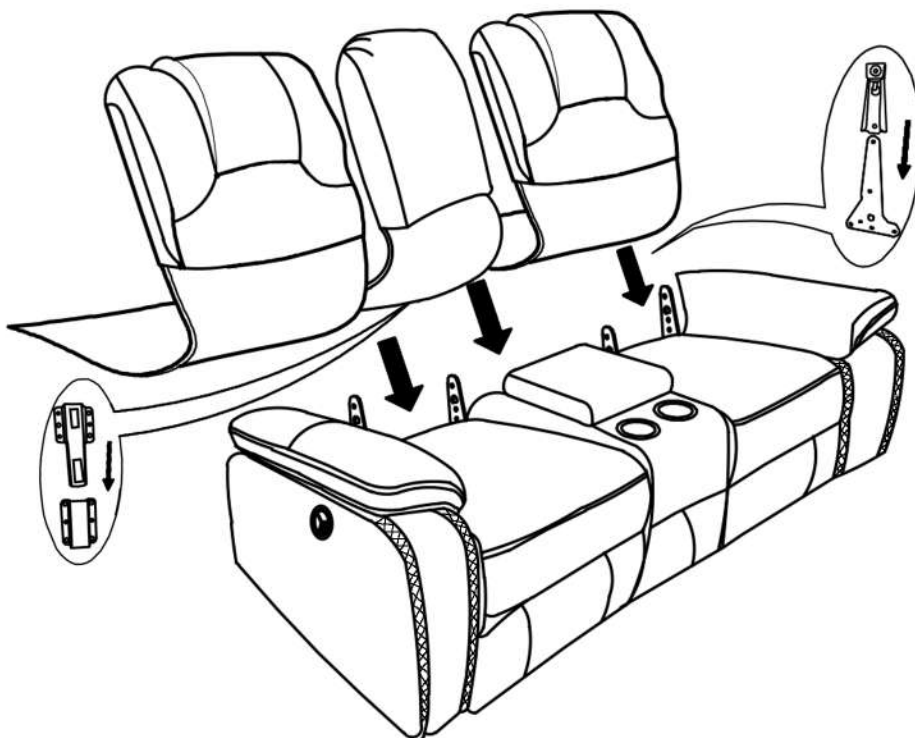


1 Carefully unpack and place parts on a clean flat surface.

2 Attach the bolt to the Left ear / Right ear and put them to Seat Body
Ensuring it is correctly in place. Like this ① and ②



3 Attach Left Backrest ,Right Backrest and Console Backrest to Seat Body
Ensure it is correctly in place.

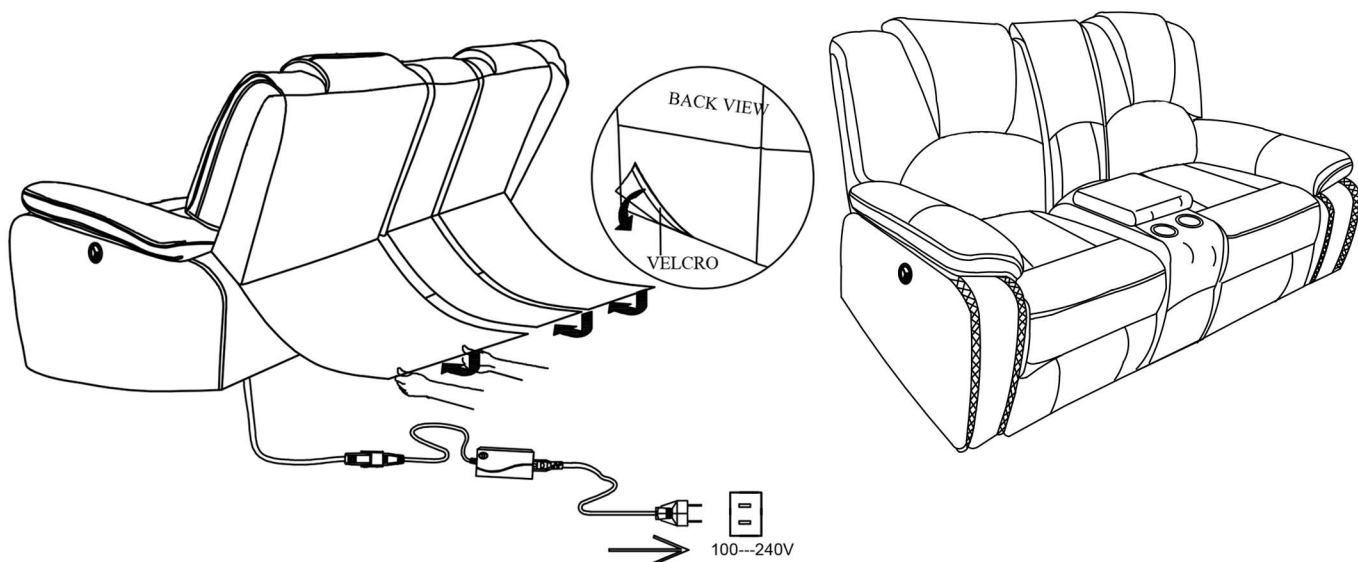


ASSEMBLY INSTRUCTIONS

CAUTION: At least two adults are required to safely complete performing this task.
Other lifting attempts may risk back injury due to large and heavy part(s).



- 5** Stretch and pull down rear cover evenly before securing velcro strip to seat base. Repeat if necessary for better fit.



OPERATING YOUR UNIT

Converting to Footrest Position

- To raise or lower the legrest, push the power switch & hold.
- Release the switch when the legrest reaches the desired high

