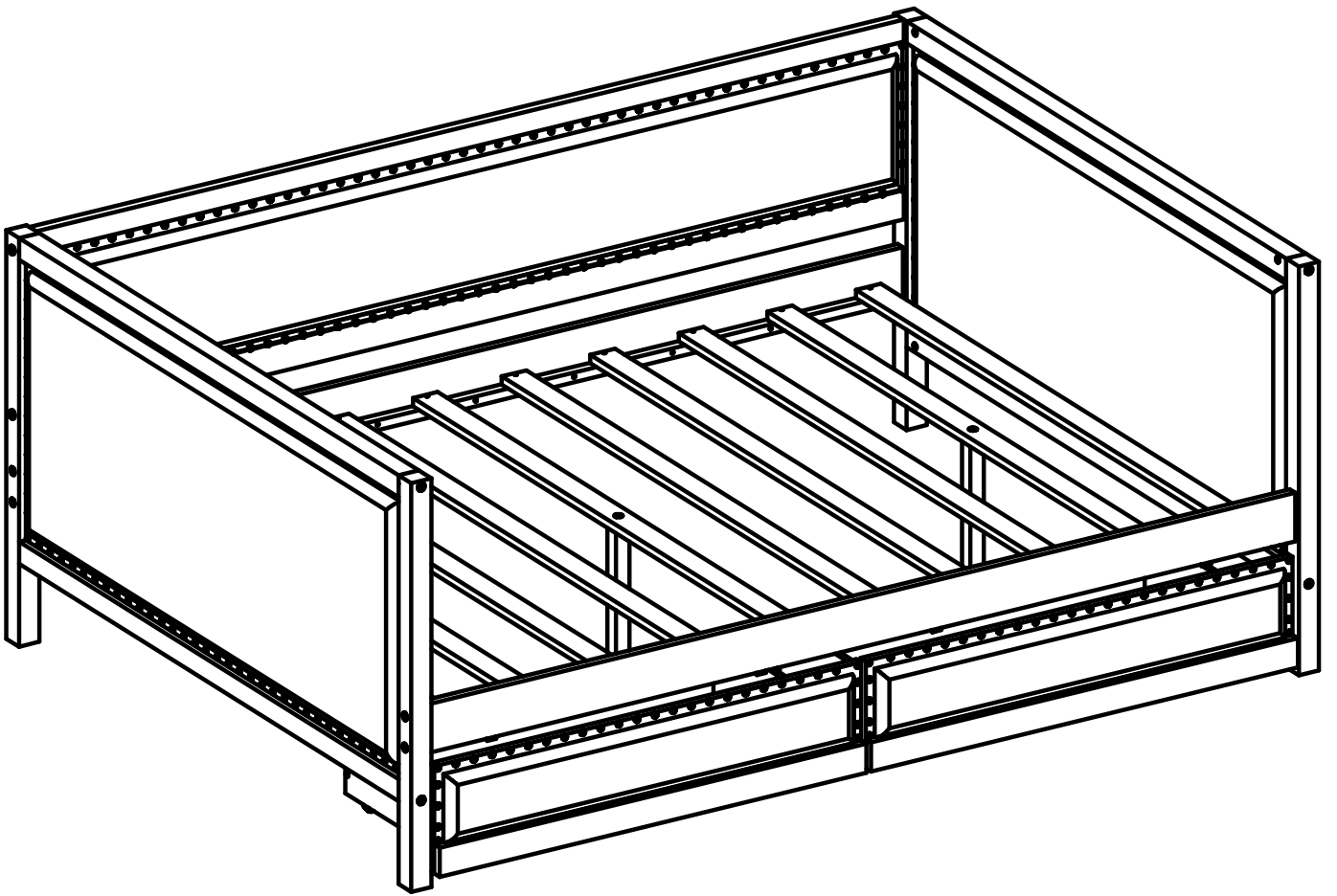
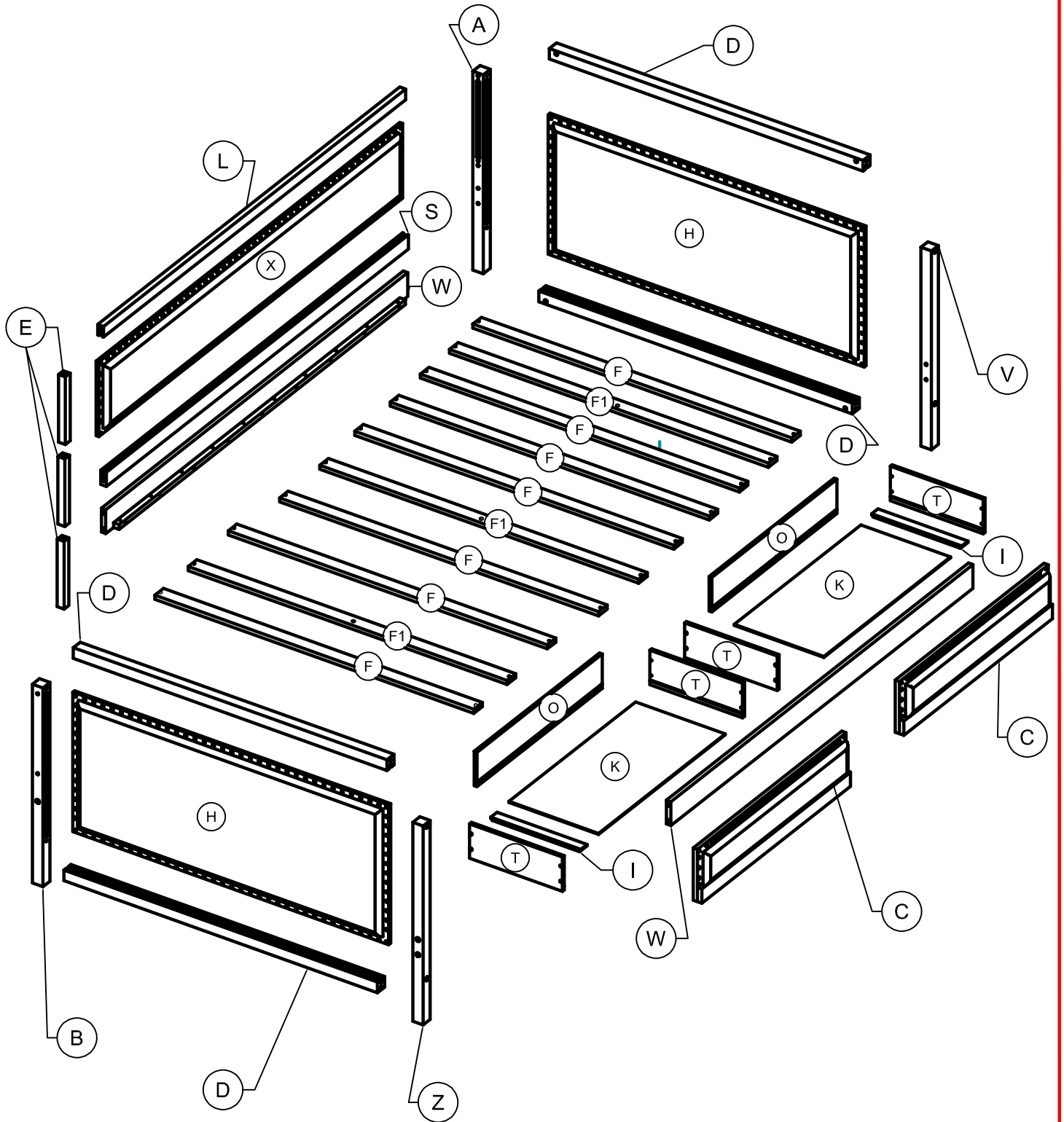


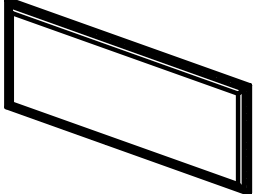

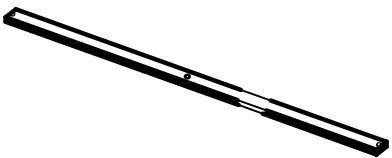
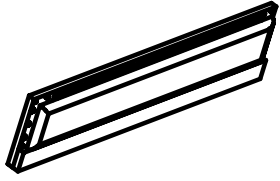
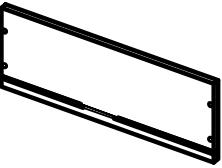

ASSEMBLY INSTRUCTION



ASSEMBLY INSTRUCTION

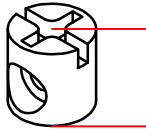


Part List

<p>H</p>  <p>Side Rails - 2pcs</p>	<p>F</p>  <p>Slats - 7pcs</p>	<p>F1</p>  <p>Slats - 3pcs</p>
<p>C</p>  <p>Drawers - Font Panel - 2pcs</p>	<p>T</p>  <p>Drawers - Side Panel - 4pcs</p>	<p>K</p>  <p>Drawers - Bottom Panel - 2pcs</p>

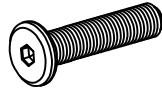
Hardware List

1



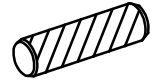
Ø1/4" x 15 mm
Horizontal-Hole bolts 20pcs

2



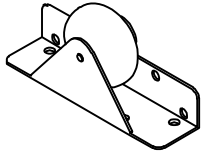
1/4" x 80mm
Hex-Head bolts 20pcs

3



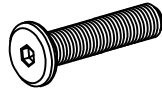
Ø8 x 30 mm
Wood dowel 12pcs

4



Wheels 8psc

5



1/4" x 30mm
Hex-Head bolts 3pcs

6



Plastic Drawer Stopper
4pcs

7



M4 x 15 mm
Wood Screws 20pcs

8

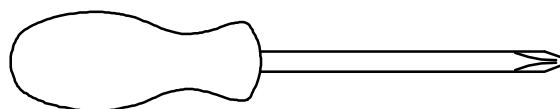


M4 x 30 mm
Wood Screws 36pcs

9



Allen Key 1pcs



Assembly Tools Required (Not Included)

Part List

A



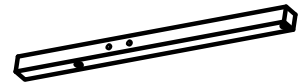
Frontleg (R) - 1pcs

D



Horizontal Bars - 4pcs

V



Backleg(R) - 1pcs

E



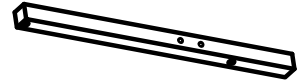
Support Leg - 3pcs

B



Frontleg (L) - 1pcs

Z



BackLeg (L) - 1pcs

L



Horizontal Bar - Above- 1pcs

S



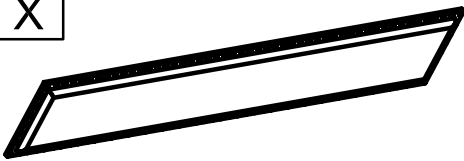
Horizontal Bar - Below - 1pcs

W



Side Panel - 2pcs

X



Lean Back - 1pcs

O





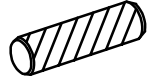
Drawers - Back Panel - 2pcs

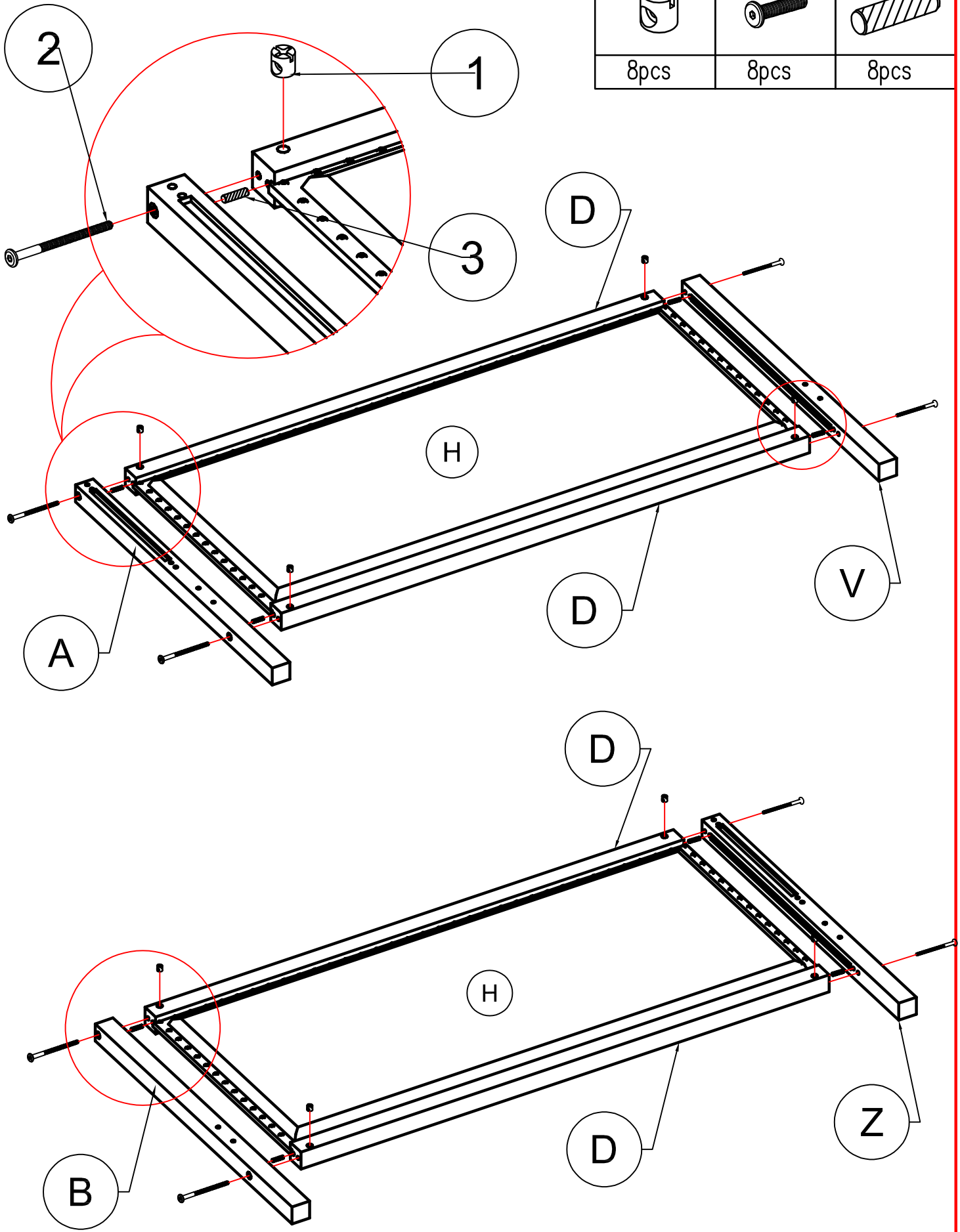
I





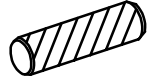
Drawers - Support Bottom - 2pcs

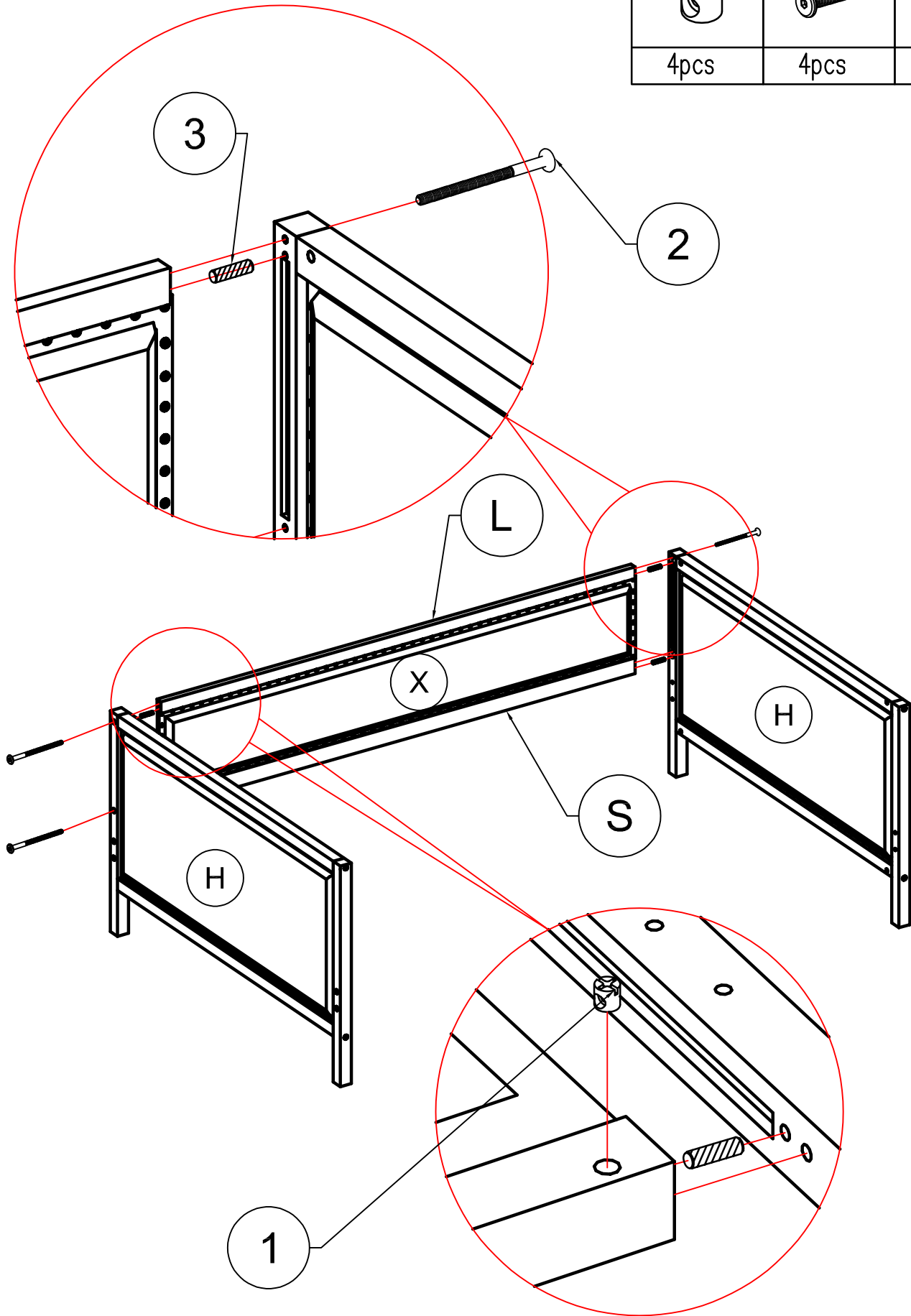
STEP 1: Following below illustration:

1	2	3
		
8pcs	8pcs	8pcs







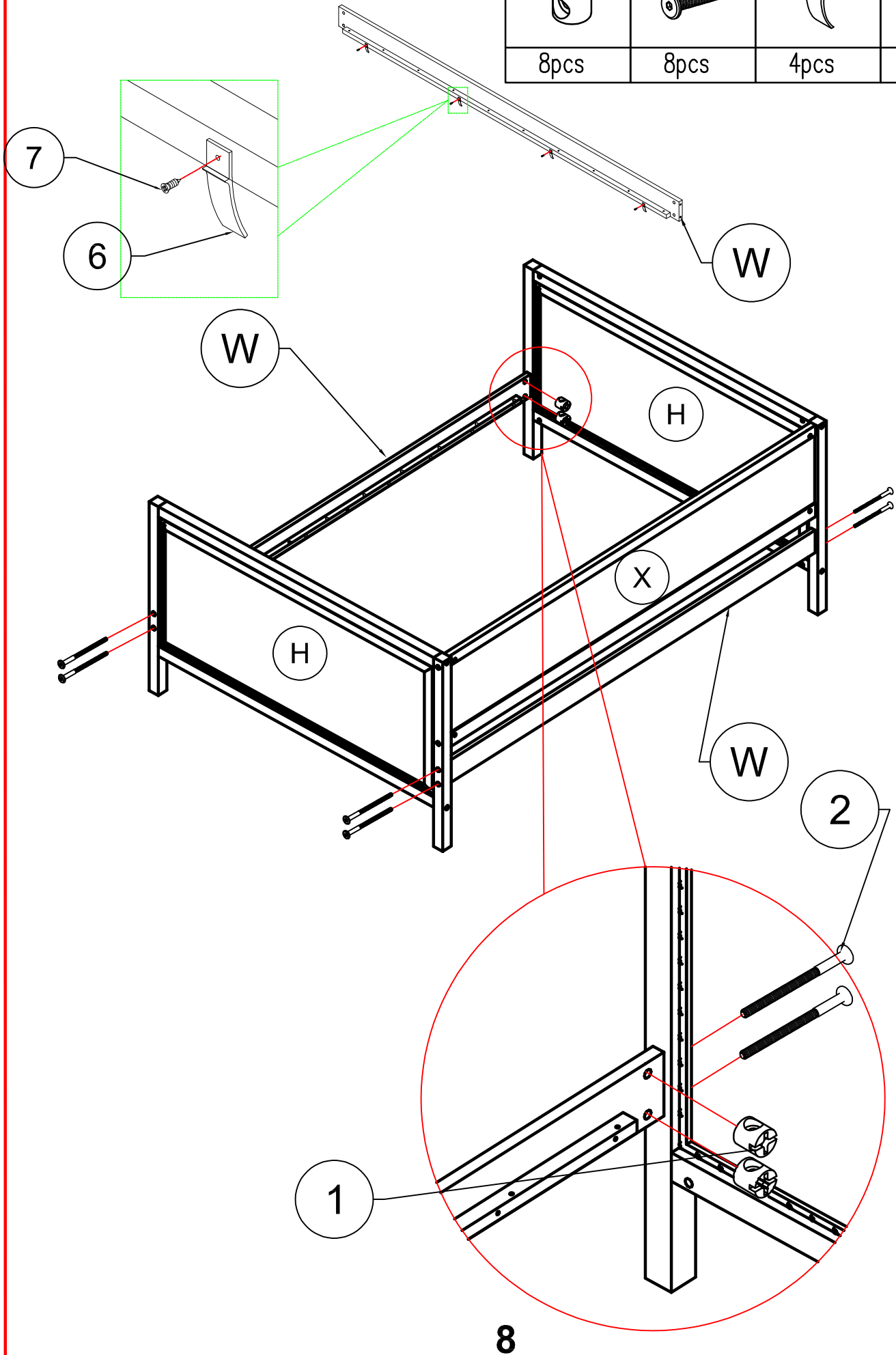
STEP 2: Following below illustration:

1	2	3
		
4pcs	4pcs	4pcs





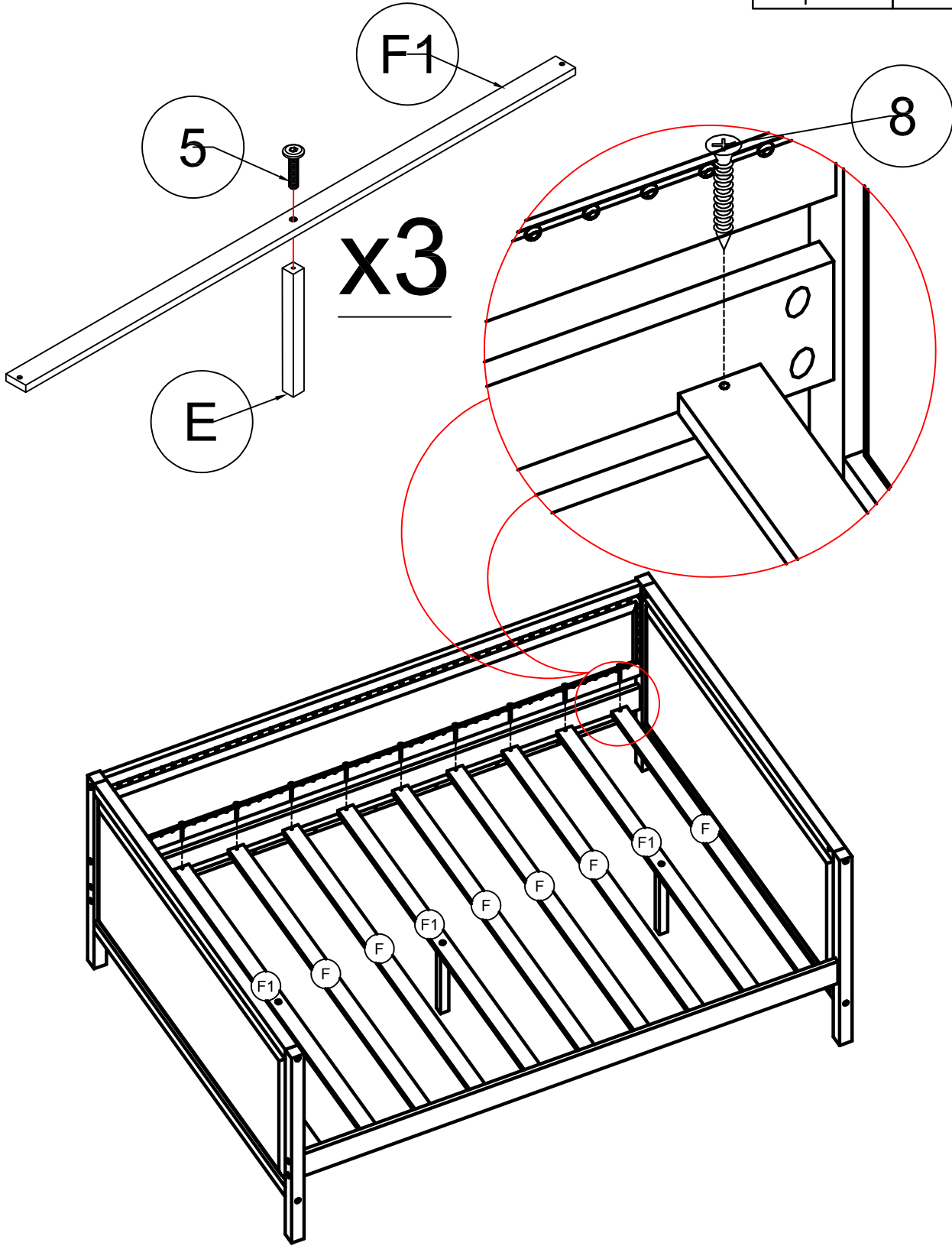
STEP 3: Following below illustration:

1	2	6	7
			
8pcs	8pcs	4pcs	4pcs



STEP 4: Following below illustration:

5	8
	
3pcs	20pcs

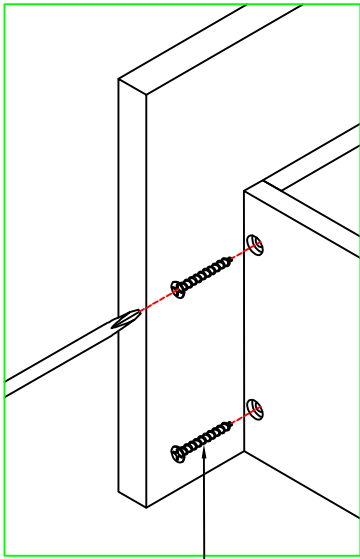


STEP 5: Following below illustration:

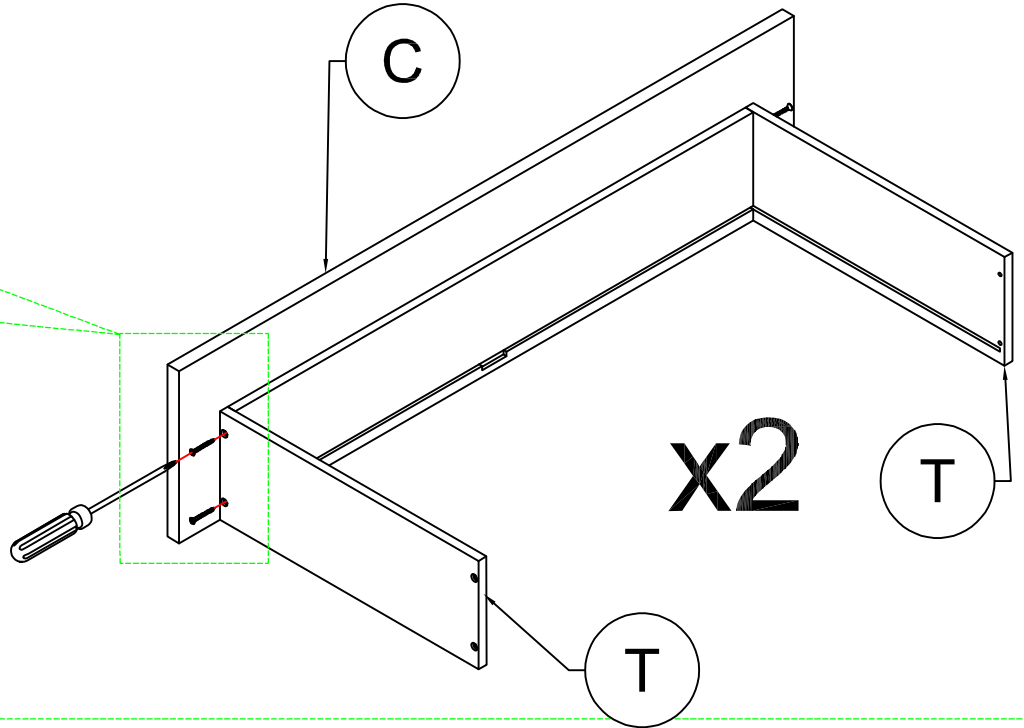
8



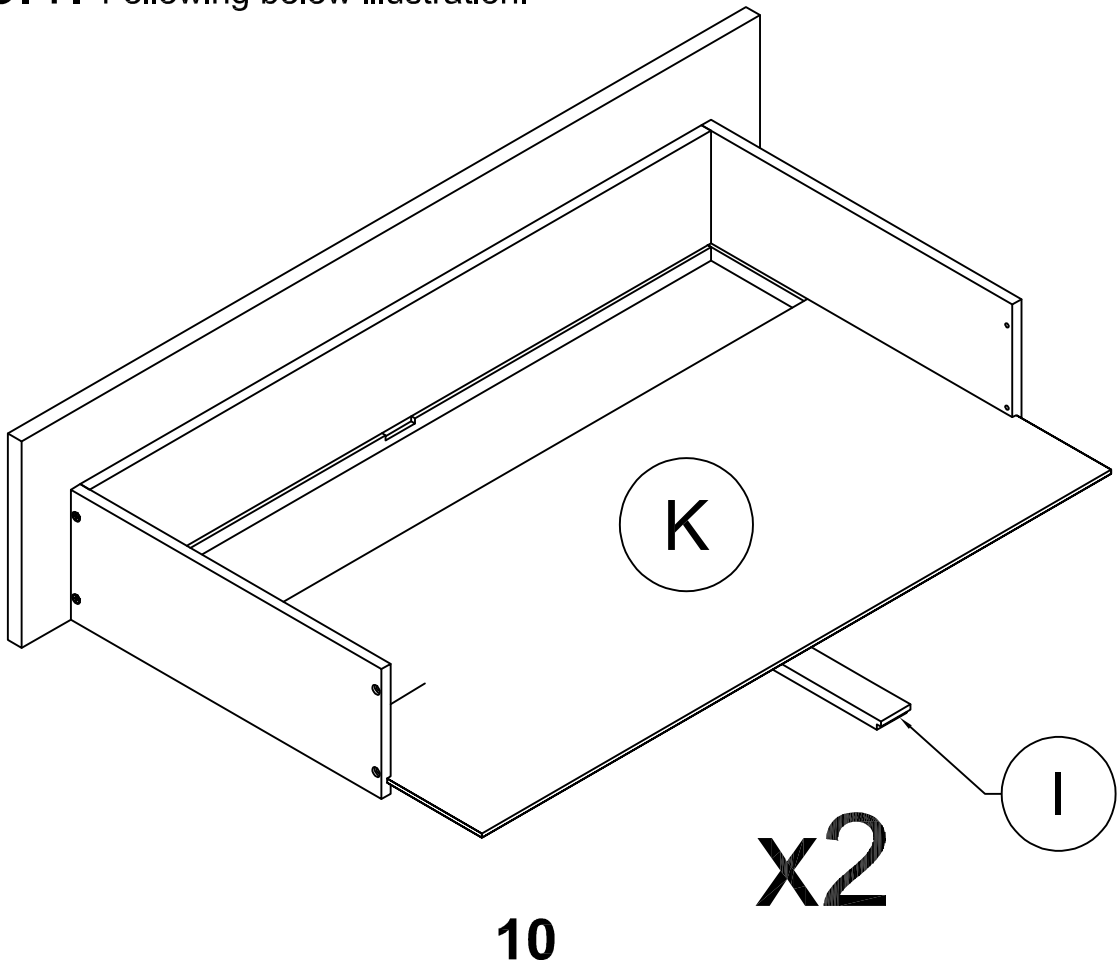
8pcs



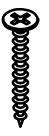
8



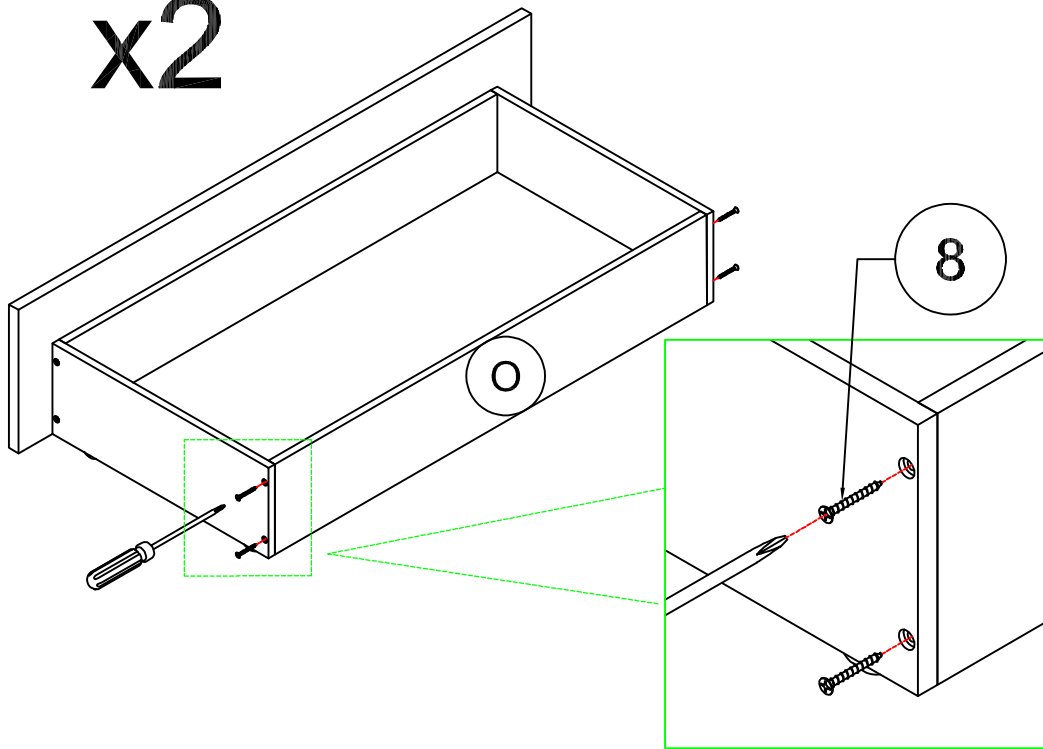
STEP 5.1: Following below illustration:



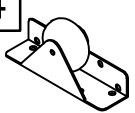

STEP 6: Following below illustration:

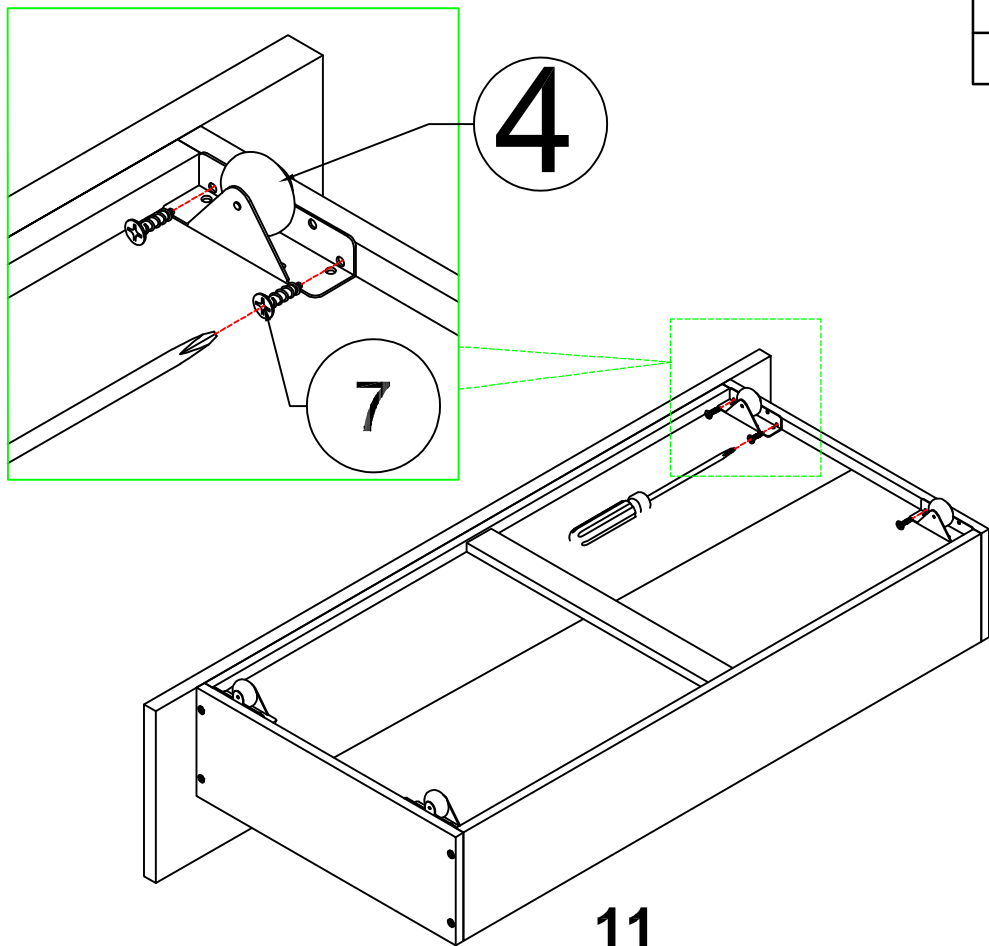
8	
8pcs	

x2



STEP 6.1: Following below illustration:

4		7	
8pcs		16pcs	



x2

FINISH

