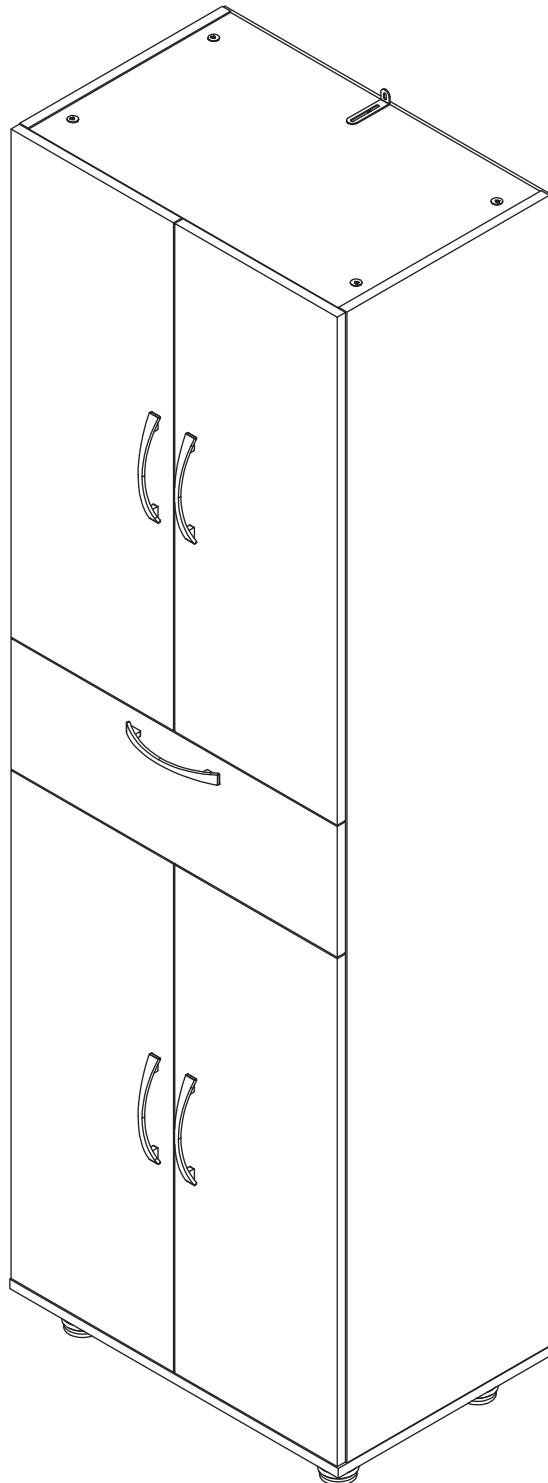


ASSEMBLY INSTRUCTION



INSTALLATION PREPARATION

Dear Customer,

Thank you for choosing us. Before you begin assembly, check that you have all the parts and hardware shown on this page.

If there is any item missing, please mark the item, indicating quantity required and send picture to us. We will arrange replacement at first time.

If feel question in assemble, Please feel free to ask us. Customer satisfaction is our prime.

Your order means a lot to us!

Thank you!

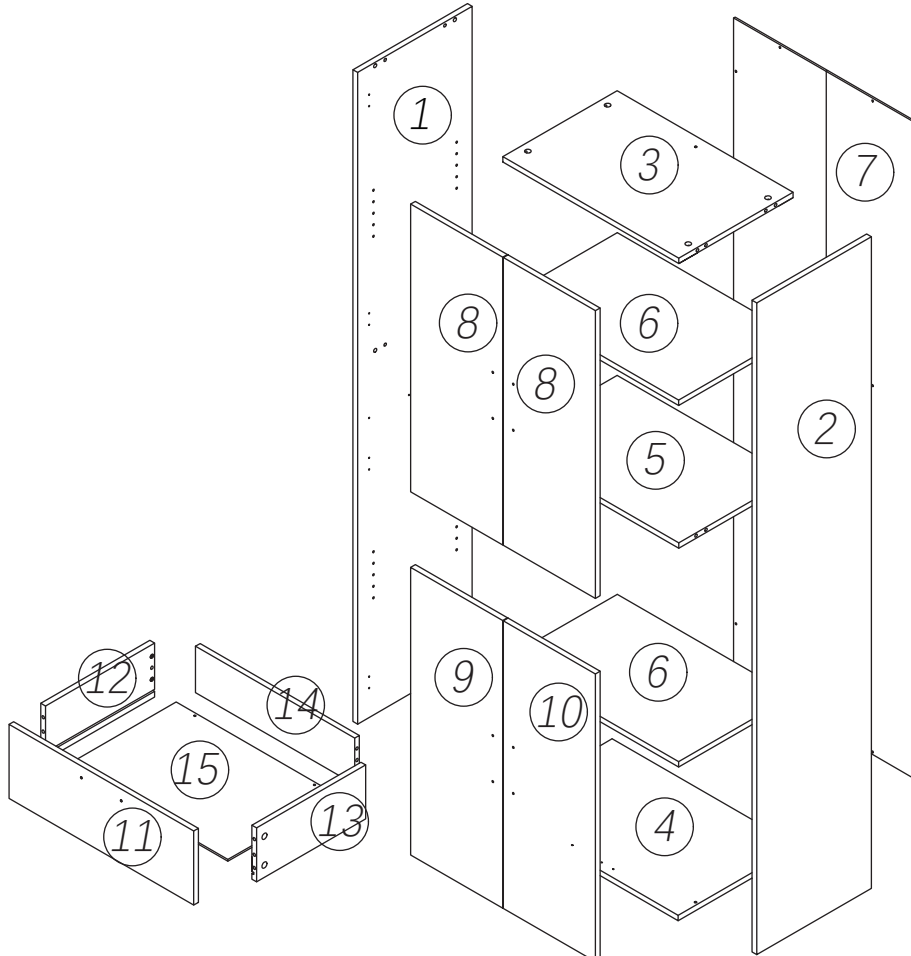
TOOLS NEEDED

Crosshead screwdriver

Flat-head screwdriver



PARTS LIST



HARDWARE LIST

A:Cam lock
Φ15mm



16 PCS

B:Cam bolt
M6



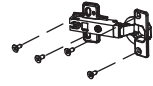
16 PCS

C:Wooden Dowel
Φ8*30mm



12 PCS

D:Full cover hinge



8 PCS

E:Handle
3617



5 PCS

F:Screw(ST4*18)



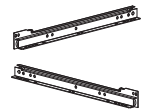
10 PCS

G:Screw
M5*40mm



4 PCS

H:Track 14"



1 PAIRS

I:Screw
M4*13mm



16 PCS

J:Screw
M4*16mm



4 PCS

K:Screw
M4*20mm



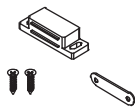
18 PCS

L:Screw
M4*13mm



17 PCS

M:Door catch
CM-553



2 PCS

N:Adjustable foot
60*60mm



4 PCS

O:Expansion screw
M6*60mm



1 PCS

P:Indices



1 PCS

Q:Shelf support



8 PCS

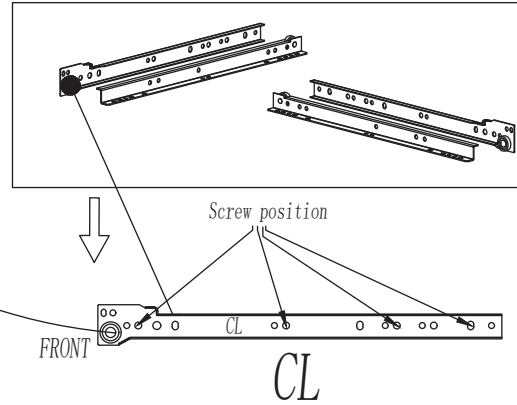
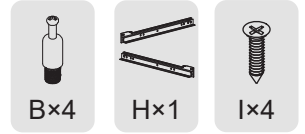
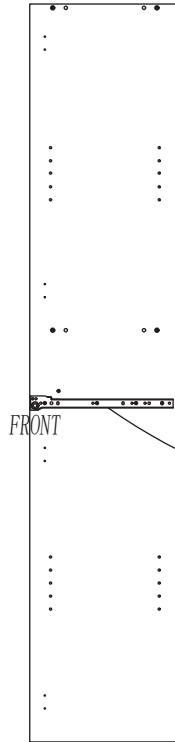
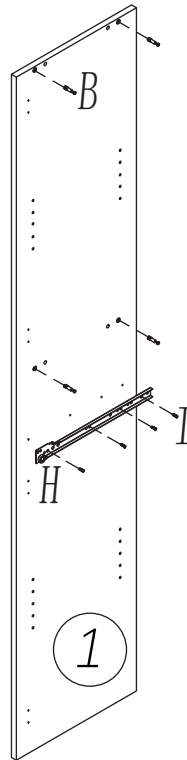
R:Plug(low)
Φ15mm



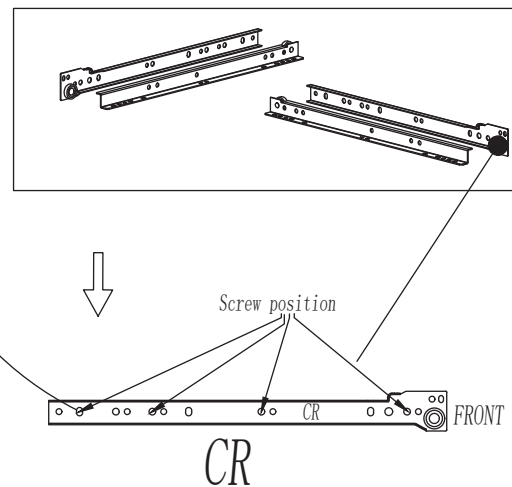
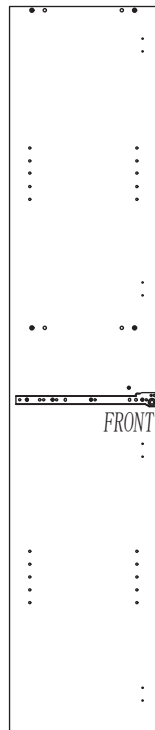
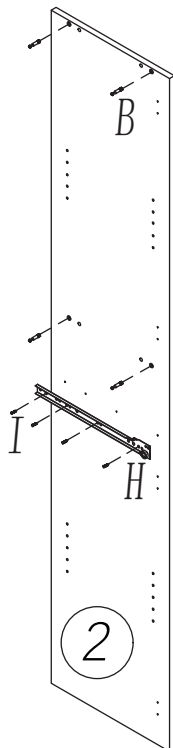
16 PCS

INSTALLATION PREPARATION

STEP 01

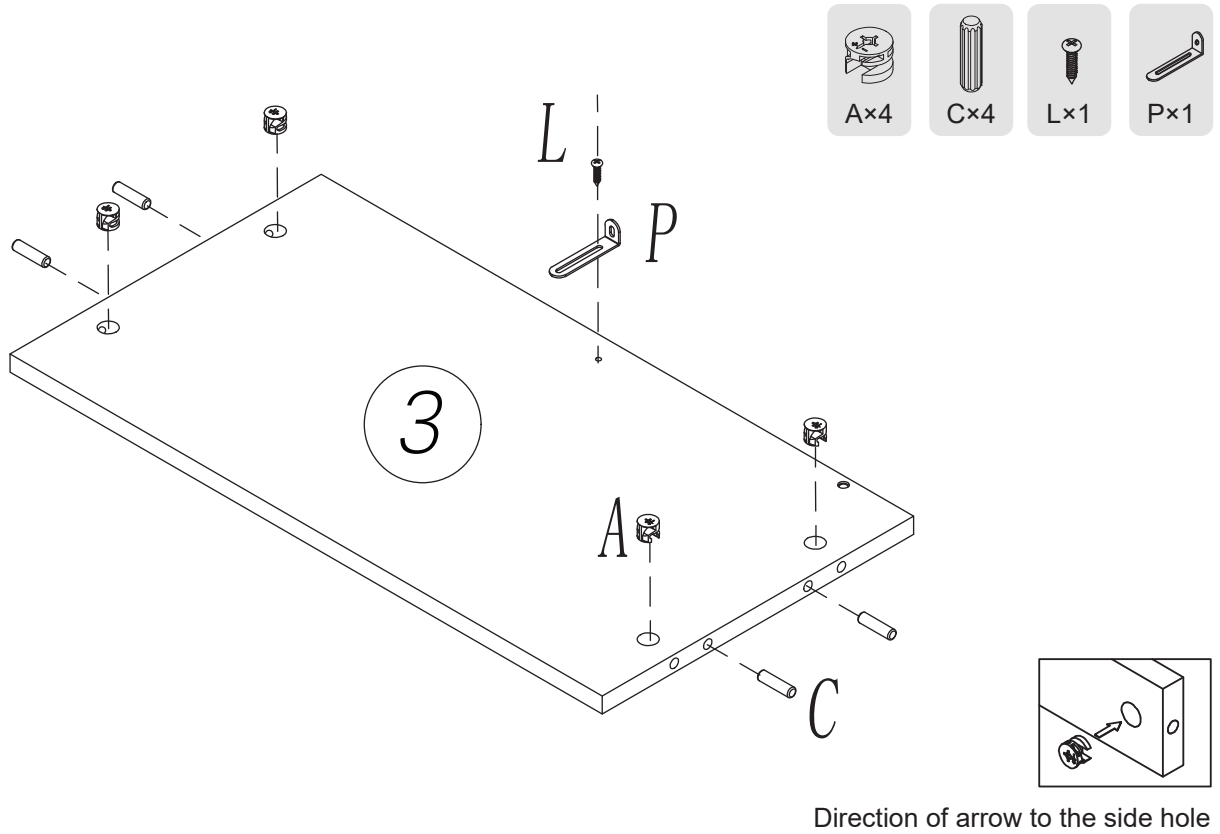


STEP 02

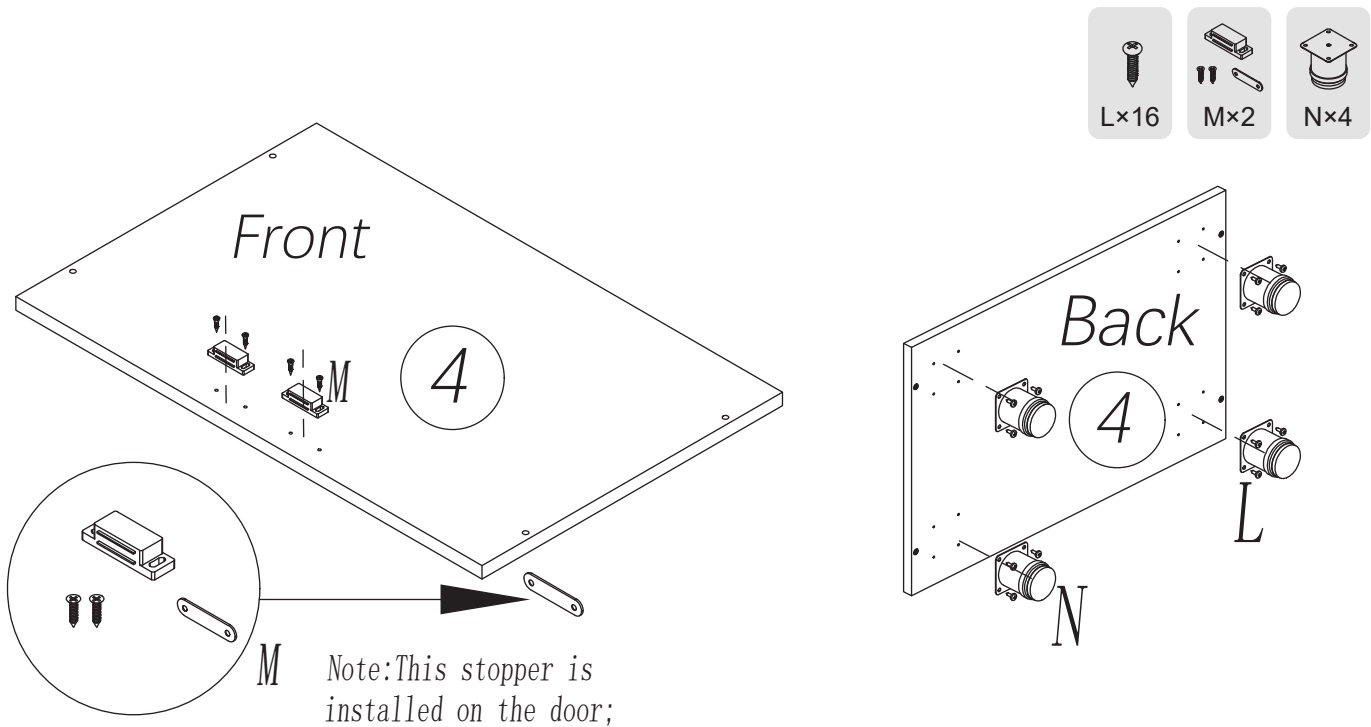


Note the holes where the screws should be

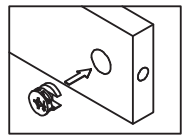
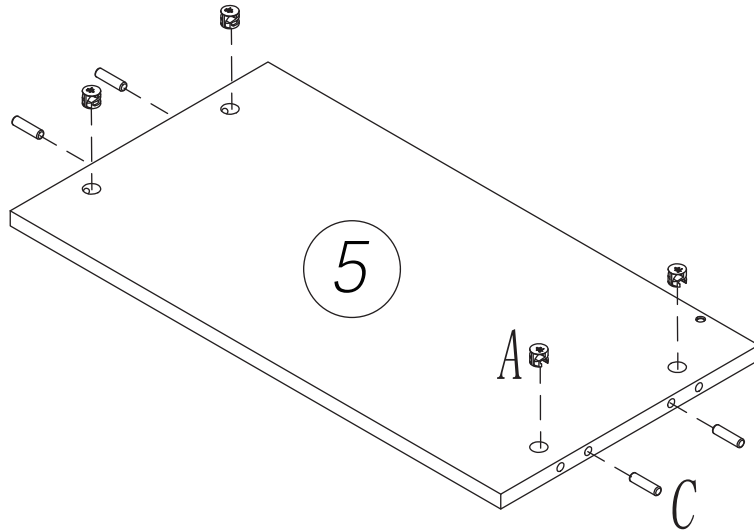
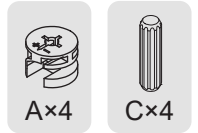
STEP 03



STEP 04

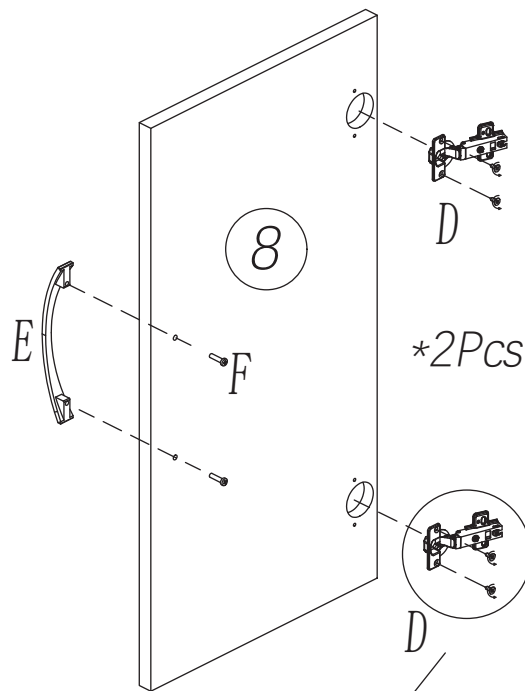


STEP 05



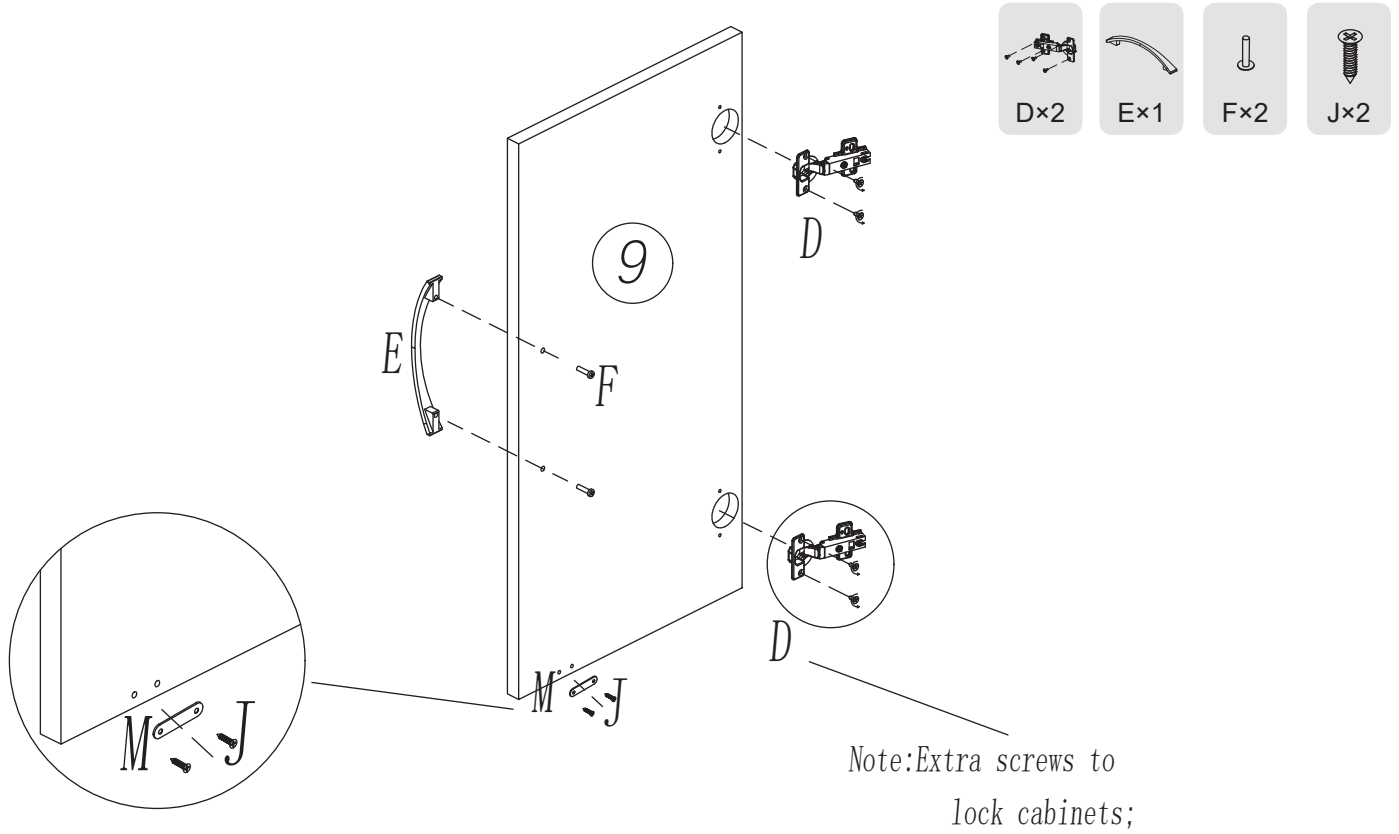
Direction of arrow to the side hole

STEP 06

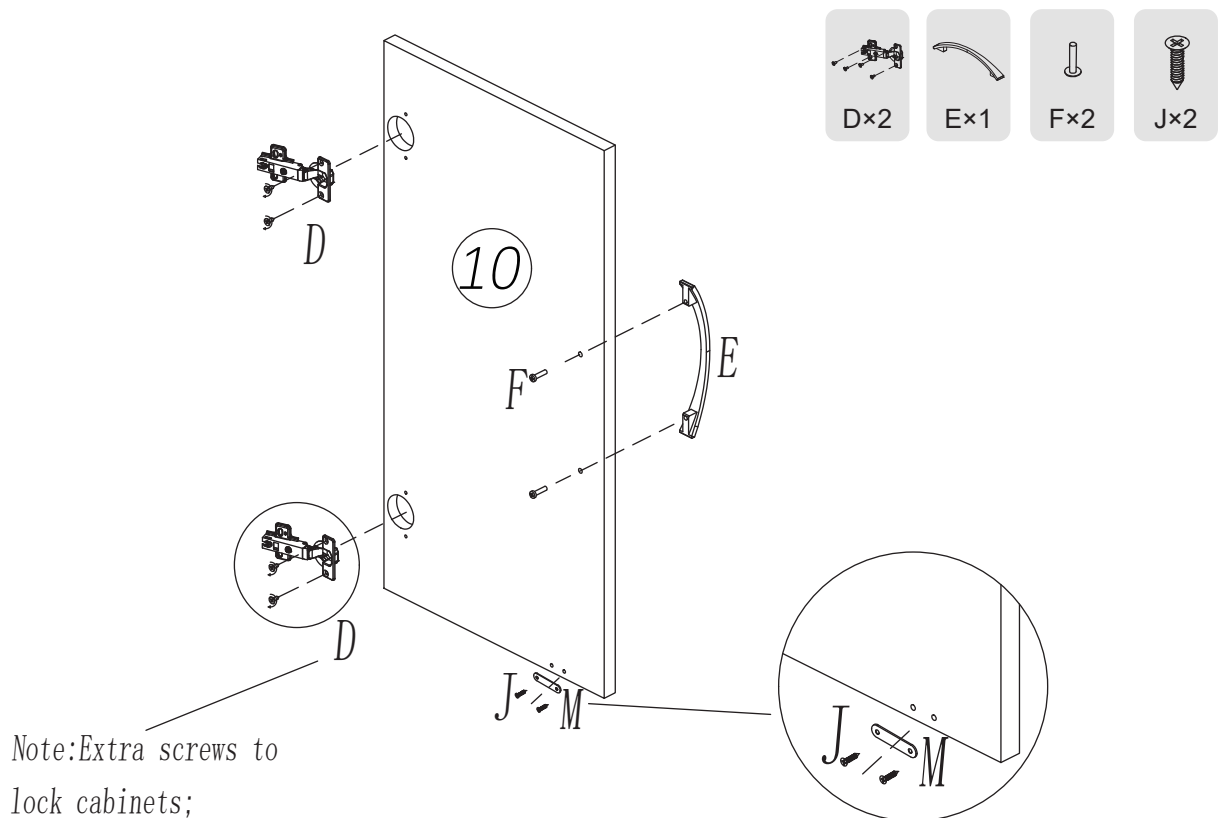


Note: Extra screws to lock cabinets;

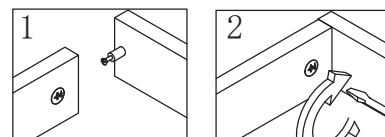
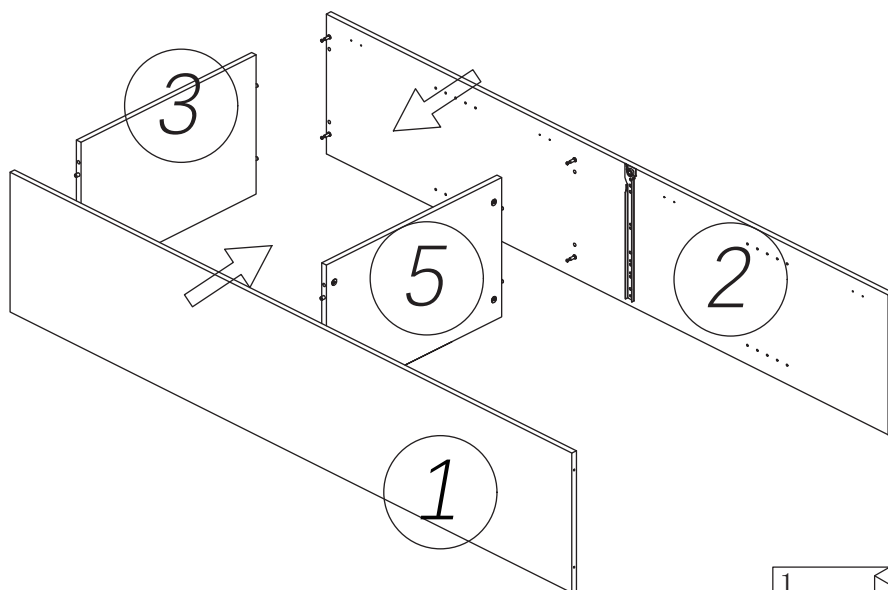
STEP 07



STEP 08

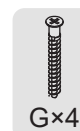
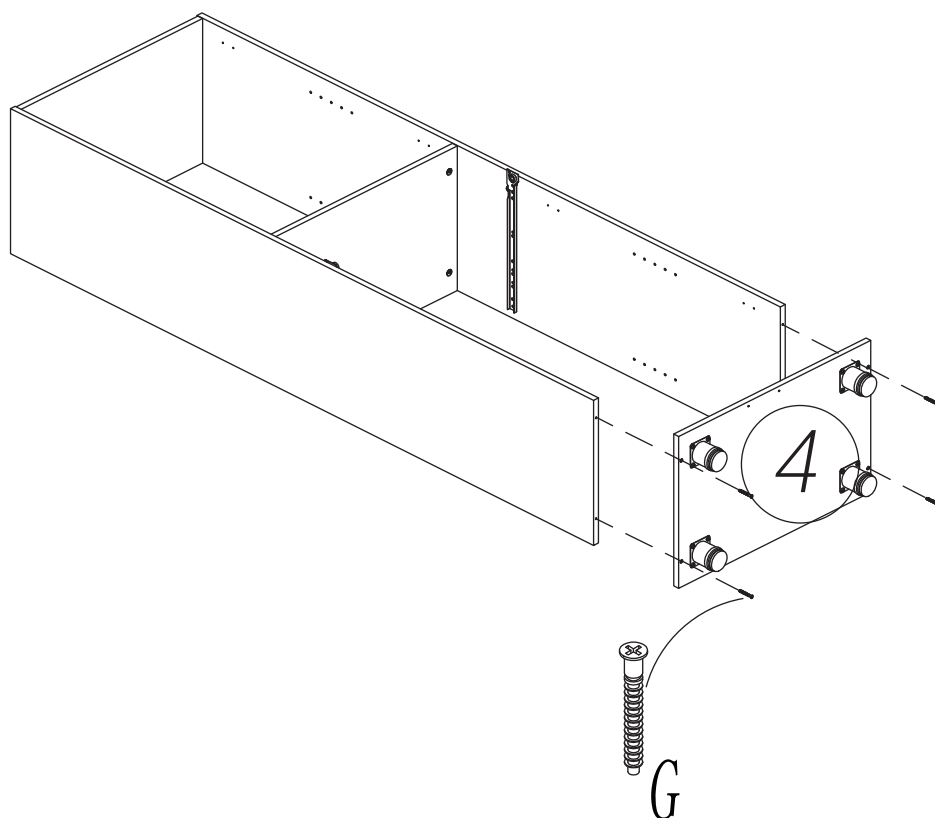


STEP 09



Remember to lock the Cam Lock

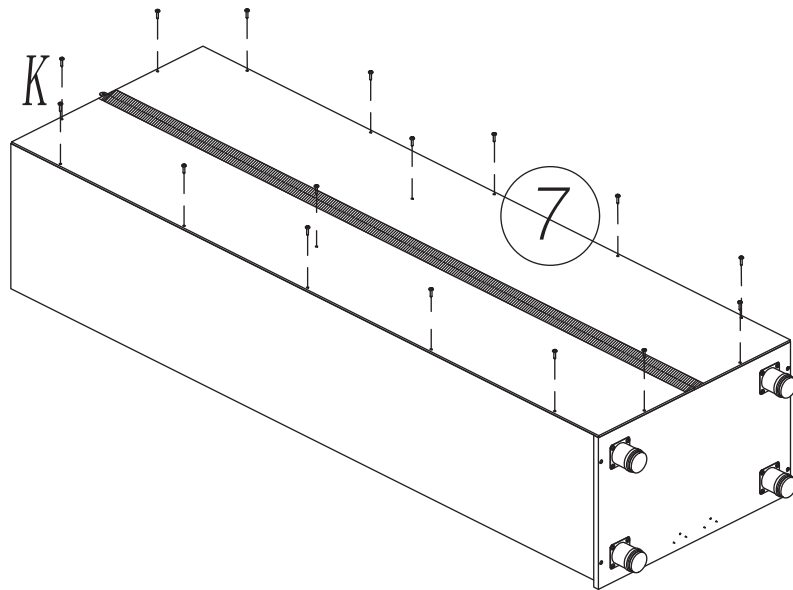
STEP 10



STEP 11



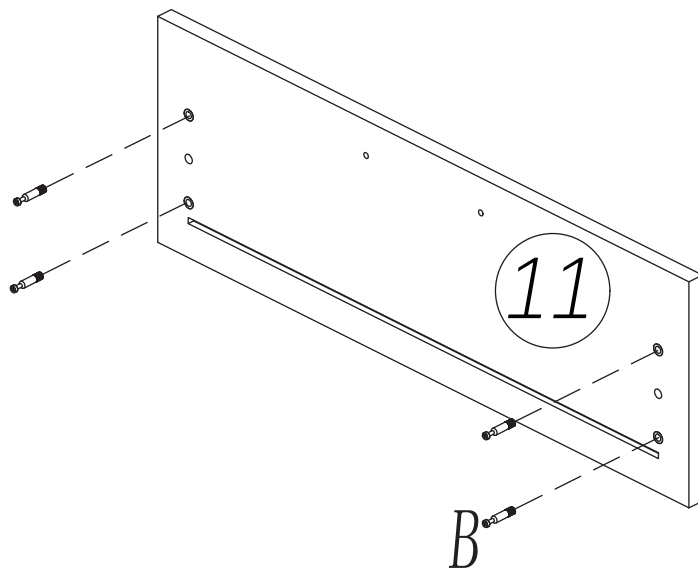
K×16



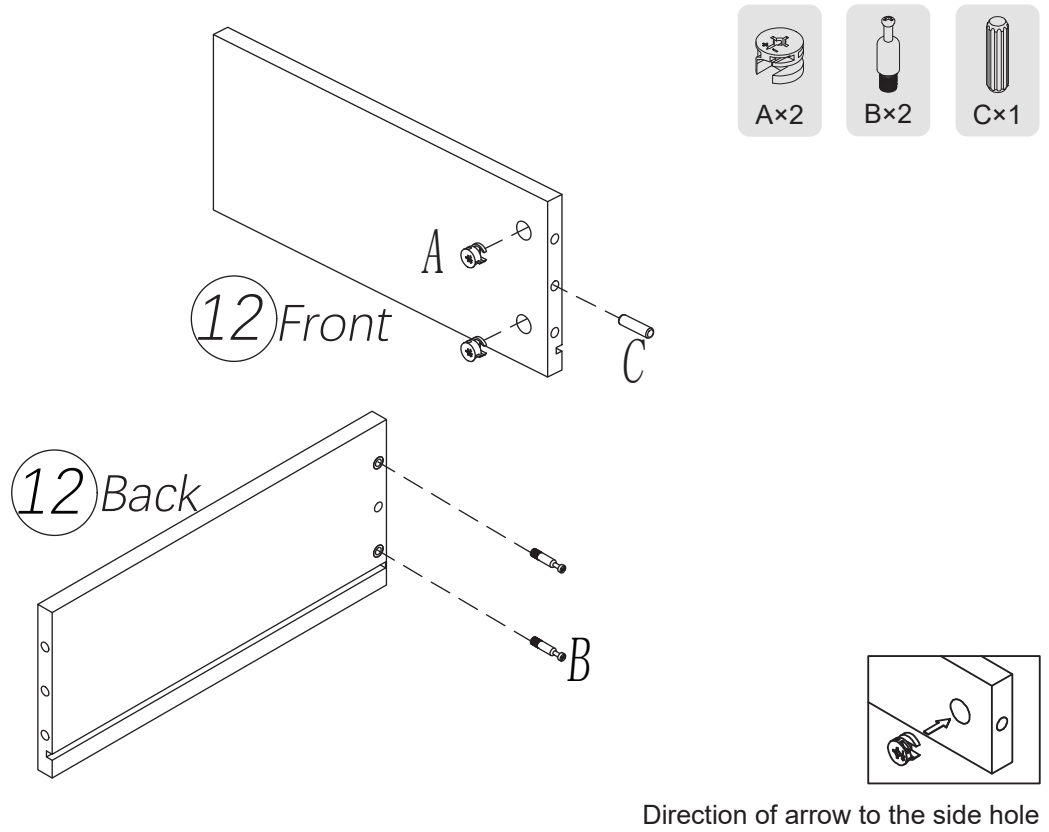
STEP 12



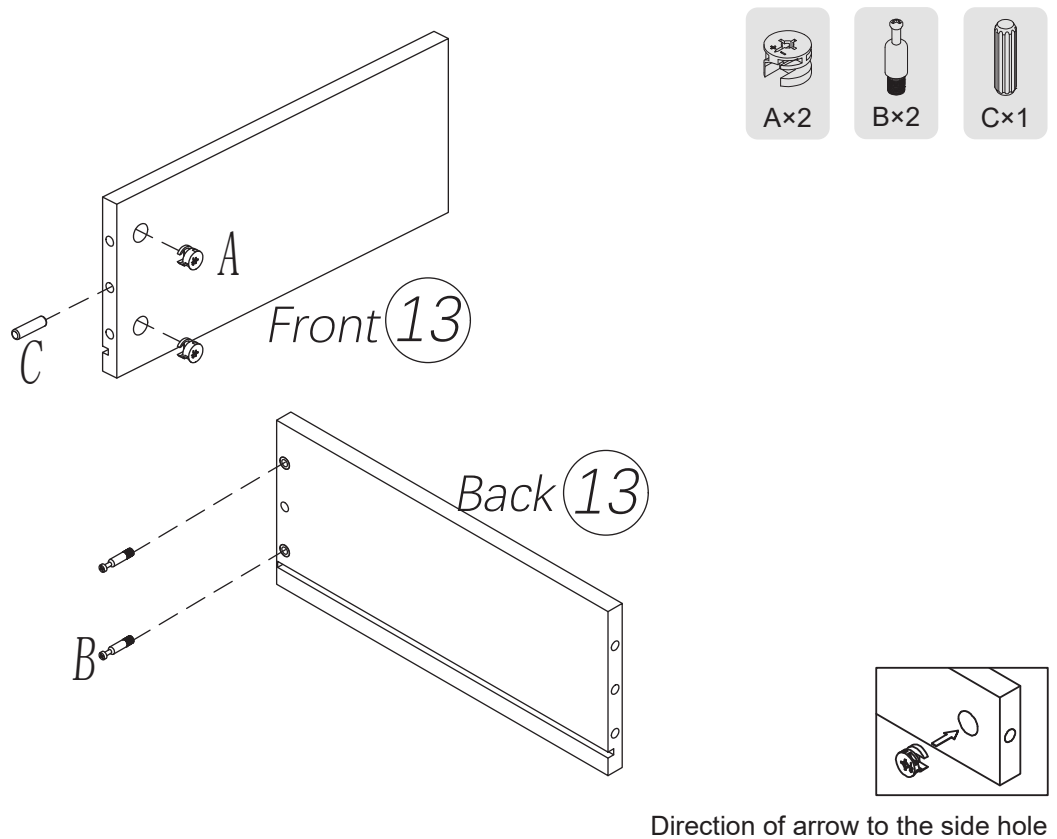
B×4



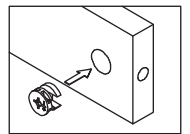
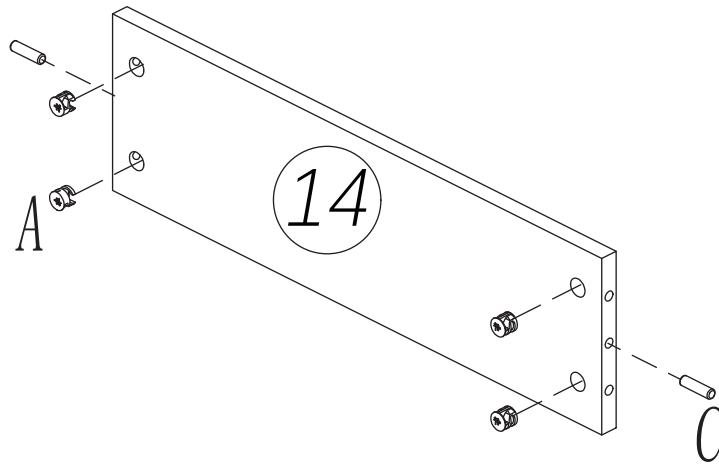
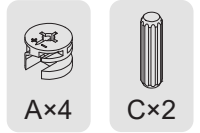
STEP 13



STEP 14

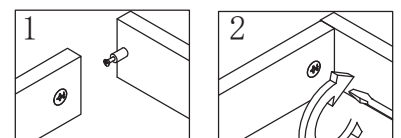
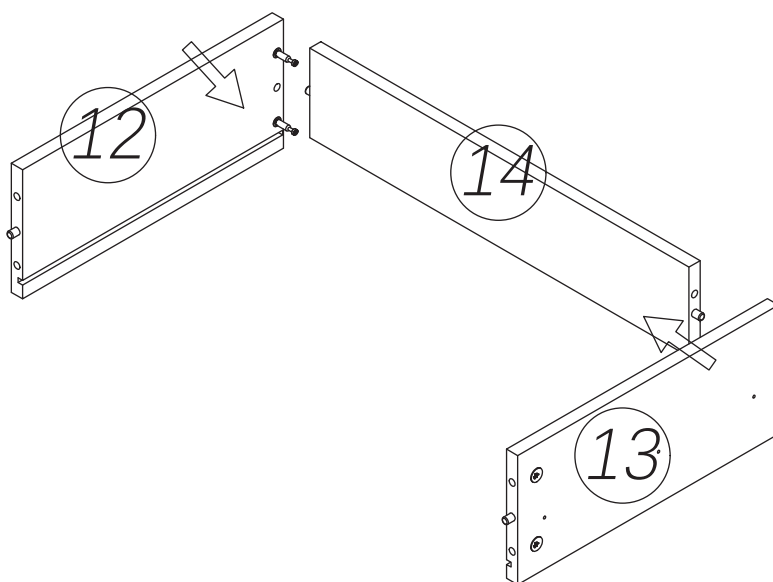


STEP 15



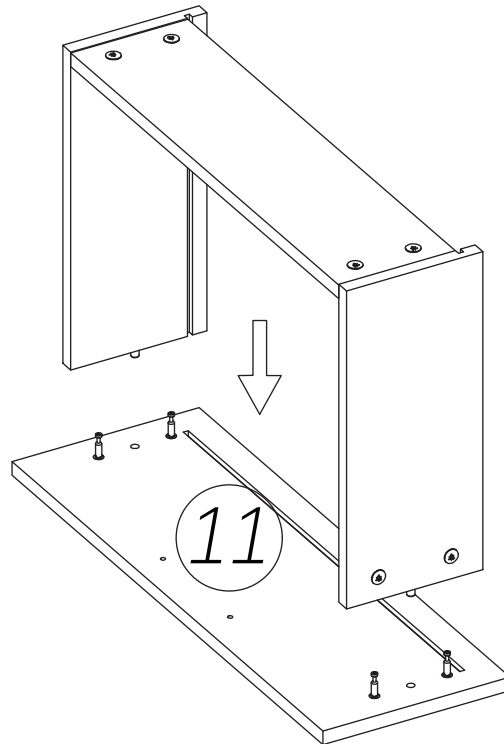
Direction of arrow to the side hole

STEP 16



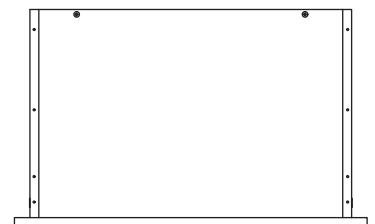
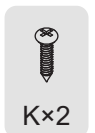
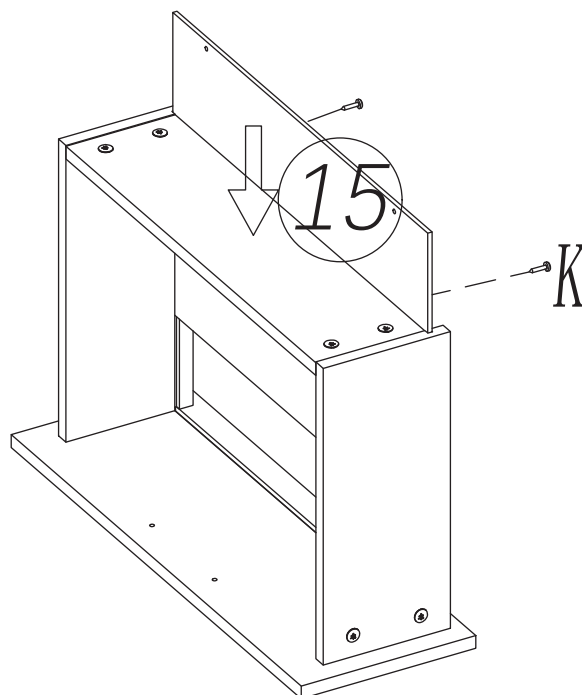
Remember to lock the Cam Lock

STEP 17



Remember to lock the Cam Lock

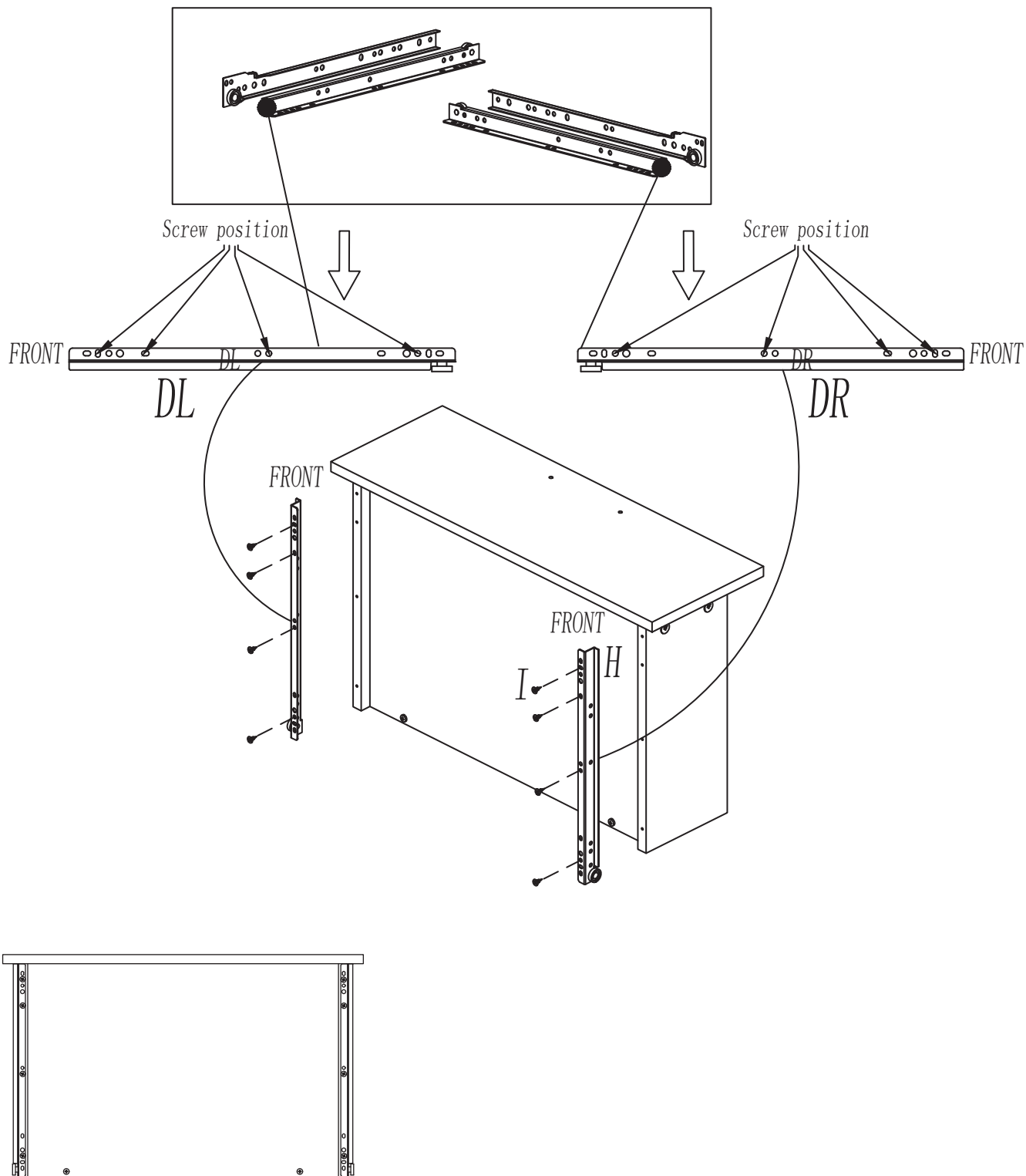
STEP 18



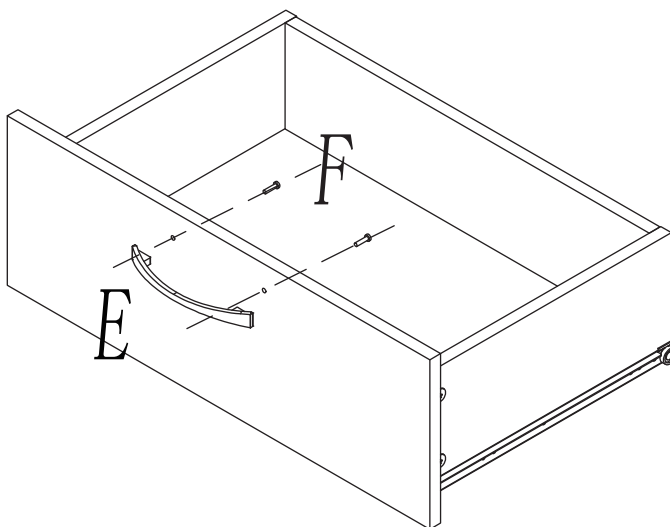
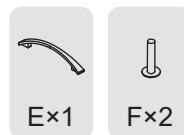
STEP 19



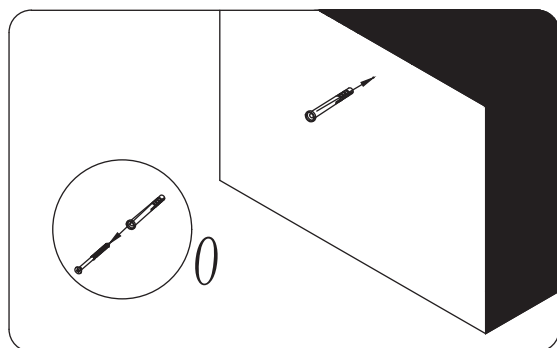
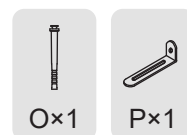
1x8



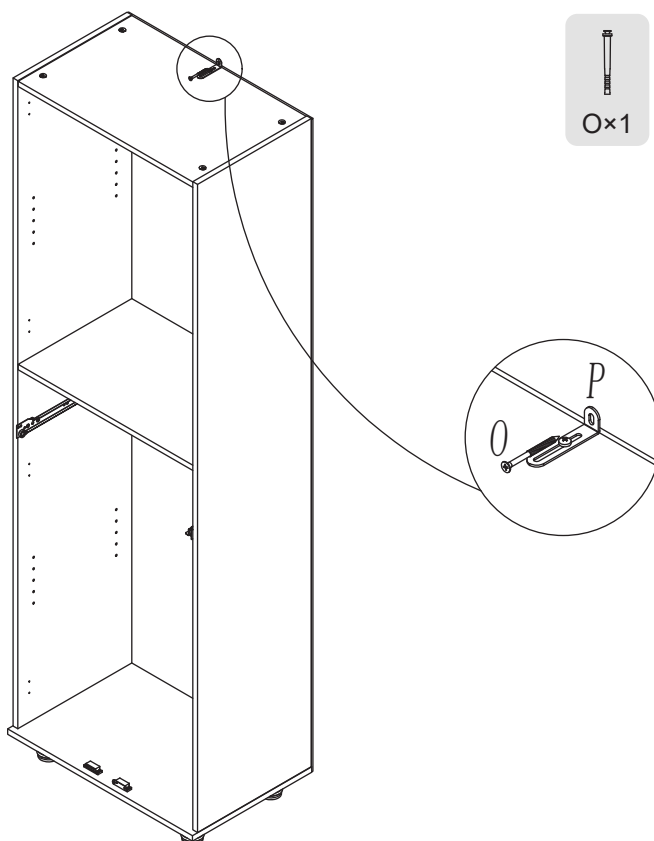
STEP 20



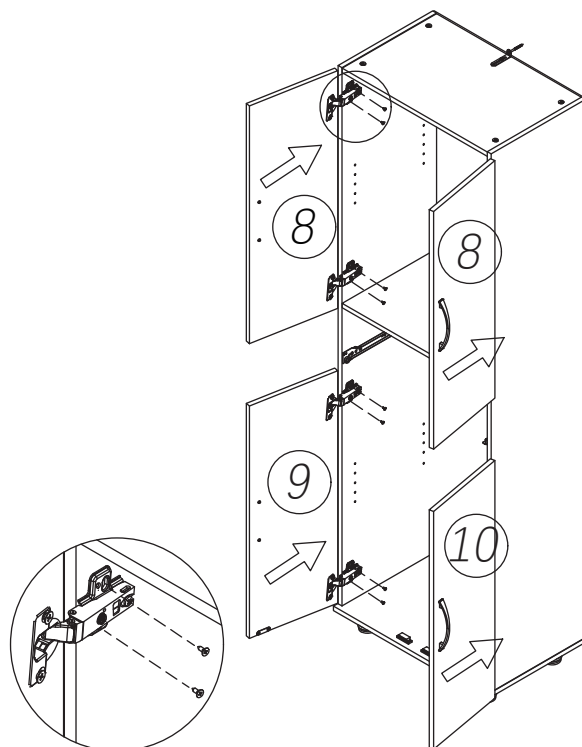
STEP 21



First of all, remove the screw of the expansion tube, and then drive the expansion tube in the position of the drilled hole in the wall.

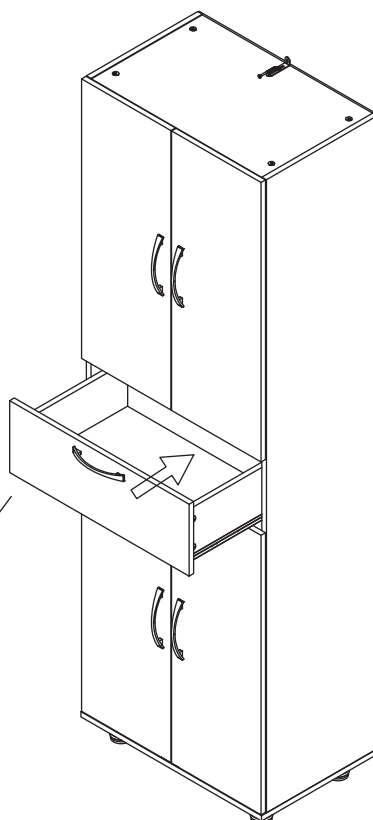


STEP 22



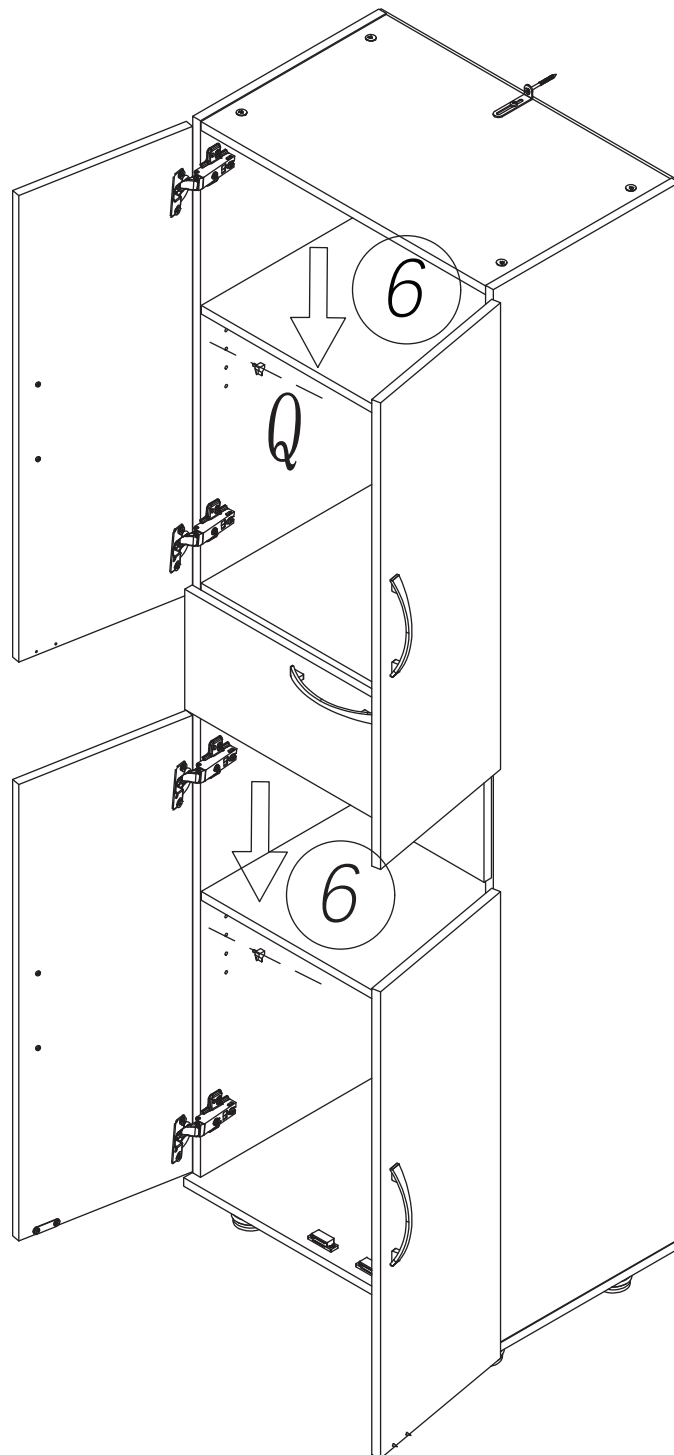
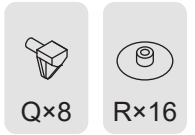
Use the extra screws
in hardware D ;

STEP 23



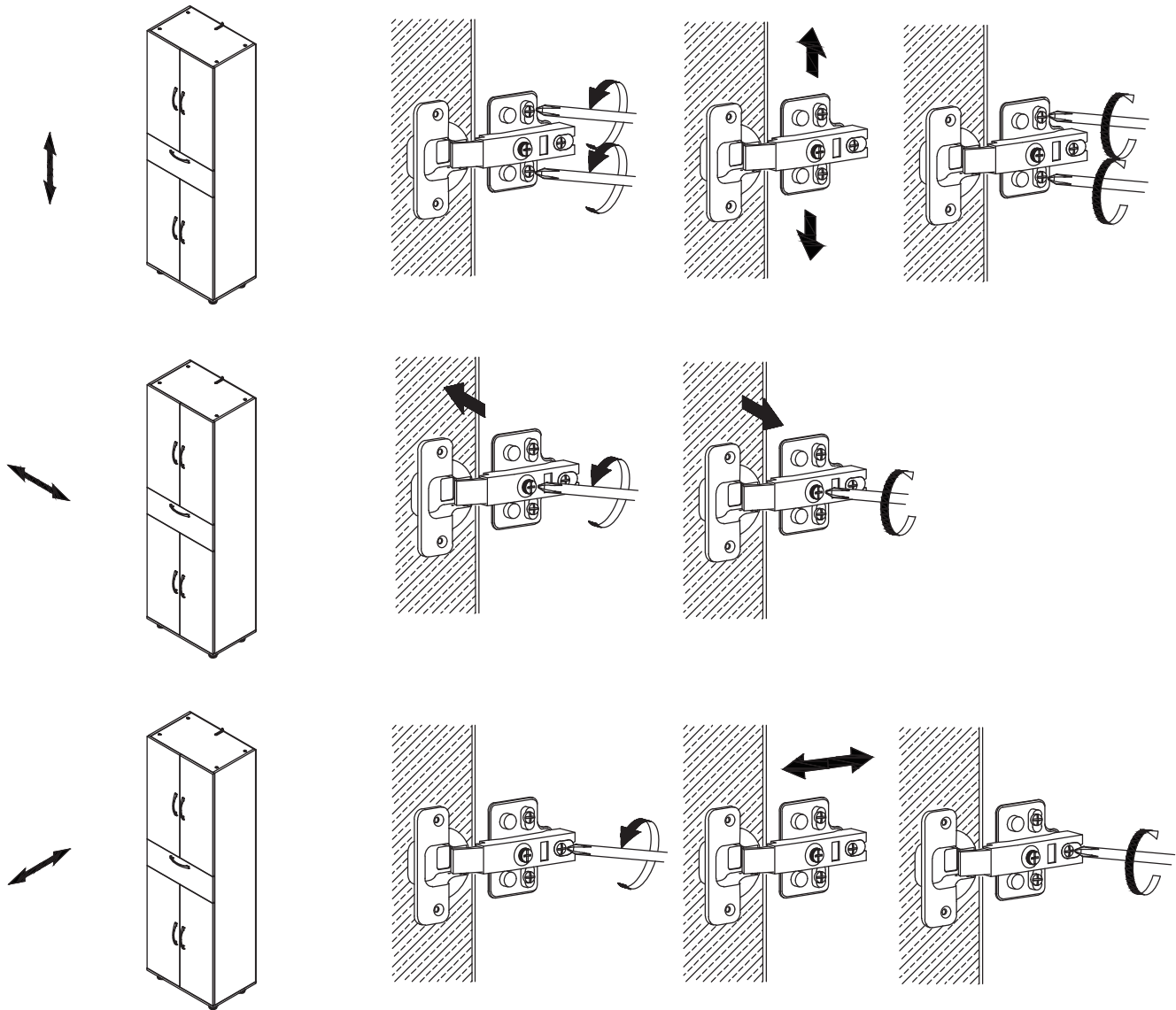
Insert slowly and do not use brute force

STEP 24



INSTALLATION PREPARATION

If there is misalignment after you install, adjust the screw to the best condition.



Thank you for your recent order.

We strive to provide customers with great services and satisfaction.

If any questions, please contact us.

Our customer support team is ready to help!