

# Assembly Instructions


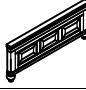


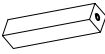
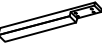


ITEM: B2114-110 MARIANA 6/6-6/0 EK/WK HEADBOARD  
 B2114-120 MARIANA 6/6-6/0 EK/WK FOOTBOARD & SLATS  
 B2114-330 MARIANA 5/0-6/6 Q/EK SIDE RAILS

Thank you for purchasing this quality product. Be sure to check all packing materials carefully for small parts, which may have come loose inside the carton during shipment. Identify and count all items and compare with the PARTS LIST and/or HARDWARE LIST shown below.




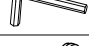
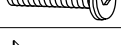





Caution: Please read the instructions thoroughly before assembly.

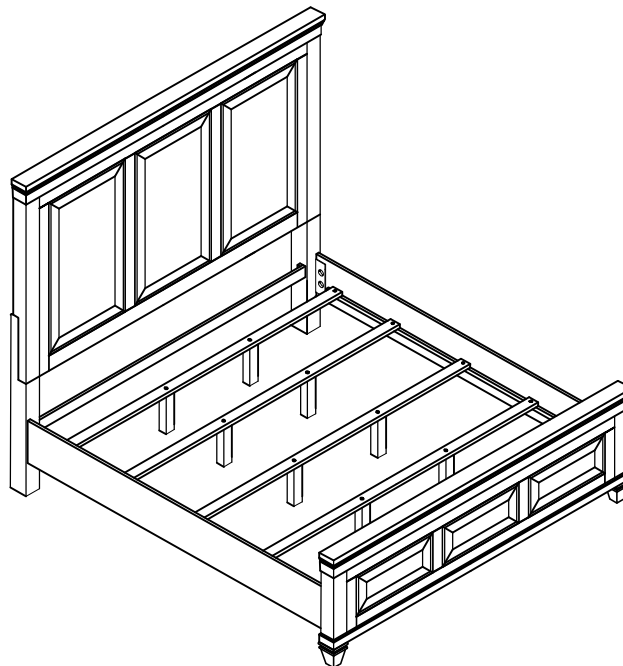
1. We recommend that you assemble this product with the assistance of another person; this will make the assembly easier, and will help eliminate damage to the product or injury to persons during assembly.
2. Please do not over tighten screws or bolts until the assembly is completed.
3. Please put all parts on a non-abrasive floor before assembly, and follow the assembly steps to assemble your newly purchased product correctly and efficiently.

## PARTS LIST

NO:	COMPONENT	SKETCH	Q'TY
A	KING HEADBOARD		1PC
B	KING FOOTBOARD		1PC
C	SIDE RAIL		2PCS
D	SLAT		4PCS
E	SUPPORT LEG		8PCS
F	HEADBOARD LEG L		1PCS
G	HEADBOARD LEG R		1PCS
H	HB CROSS BAR		1PCS

## HARDWARE LIST

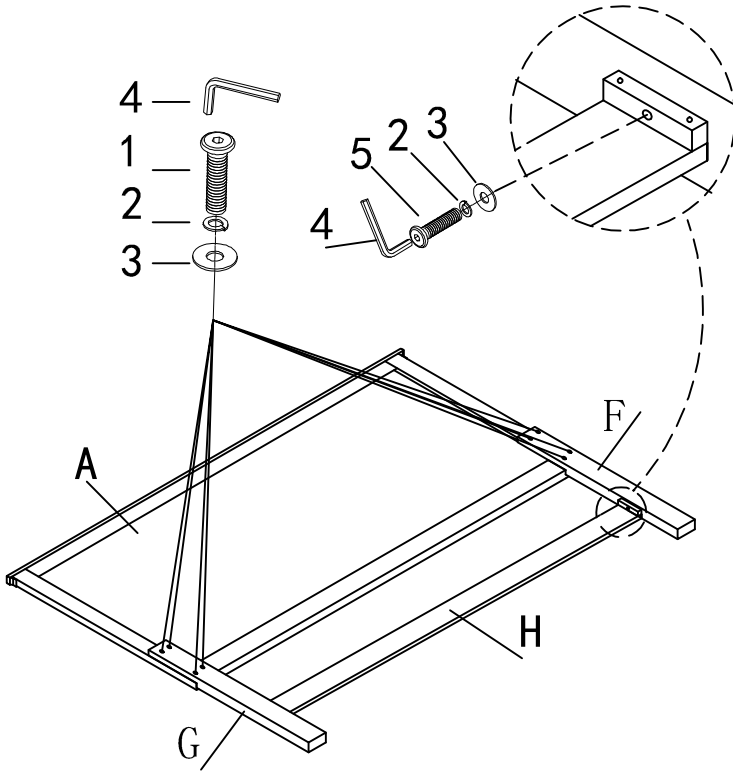
NO:	COMPONENT	SKETCH	Q'TY
1	BOLTS 5/16" x 45mm		8PCS
2	LOCK WASHER 5/16"		10PCS
3	FLAT WASHER 5/16"		10PCS
4	ALLEN KEY		1PC
5	BOLTS 5/16" x 35mm		2PCS
6	SCREW: # 8 X 25mm		8PCS
7	BOLT 5/16" x 3 1/2" mm		8PCS
8	NUT: # 5/16 "		8PCS
9	U WASHER 5/16" DIA		8PCS
10	SPANNER		1PC



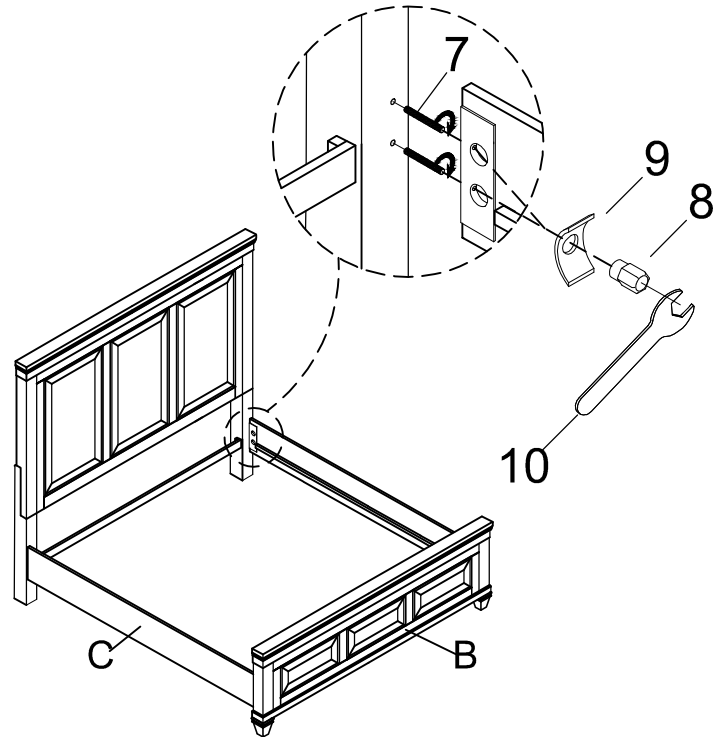
# Assembly Instructions

ITEM: B2114-110 MARIANA 6/6-6/0 EK/WK HEADBOARD  
 B2114-120 MARIANA 6/6-6/0 EK/WK FOOTBOARD & SLATS  
 B2114-330 MARIANA 5/0-6/6 Q/EK SIDE RAILS

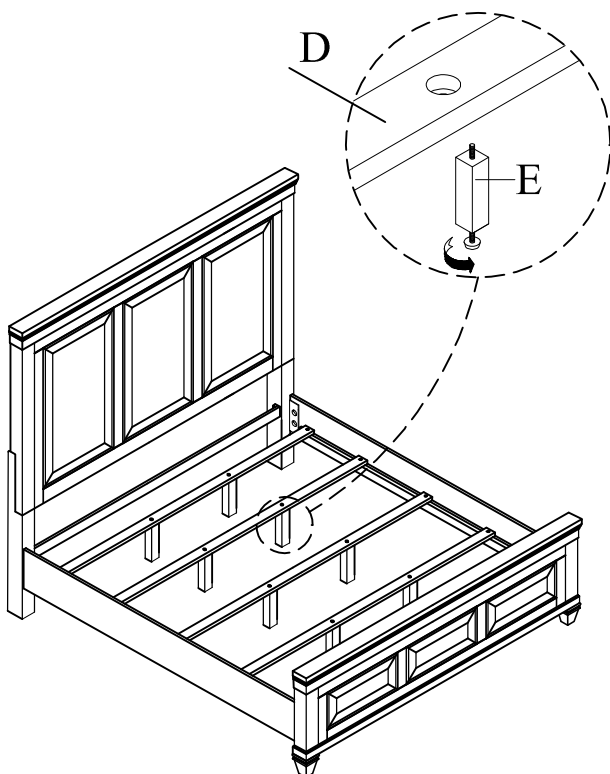
## STEP1



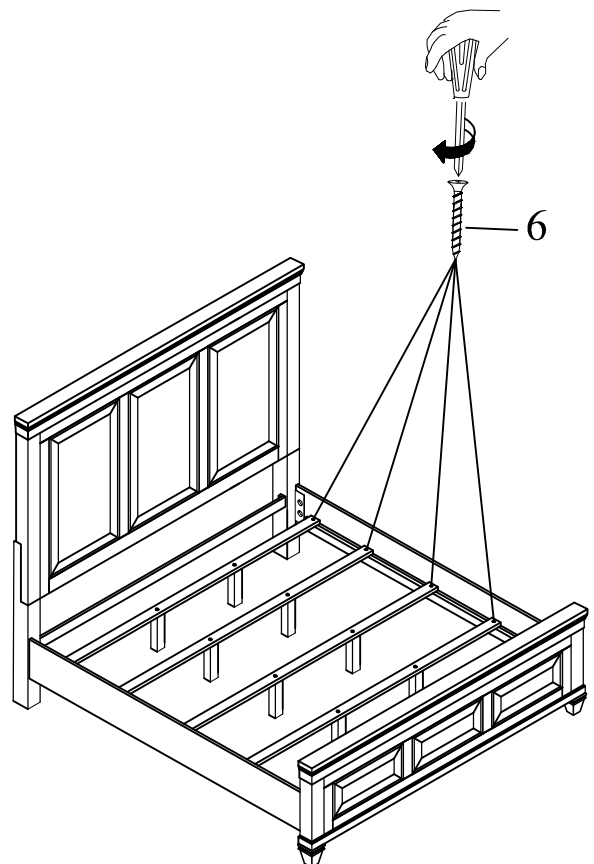
## STEP2



## STEP3



## STEP4



# Assembly Instructions




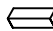
ITEM: B2114-050 MARIANA DRESSER

Thank you for purchasing this quality product. Be sure to check all packing materials carefully for small parts, which may have come loose inside the carton during shipment. Identify and count all items and compare with the PARTS LIST and/or HARDWARE LIST shown below.


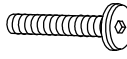


**Caution:** Please read the instructions thoroughly before assembly.

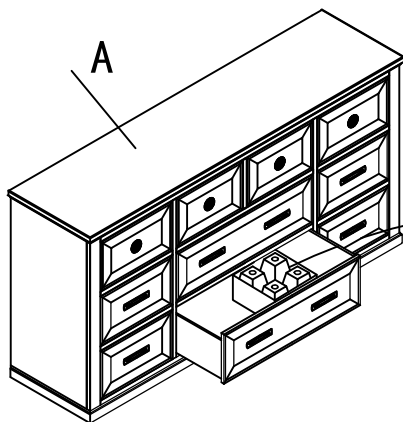
1. We recommend that you assemble this product with the assistance of another person; this will make the assembly easier, and will help eliminate damage to the product or injury to persons during assembly.
2. Please do not over tighten screws or bolts until the assembly is completed.
3. Please put all parts on a non-abrasive floor before assembly, and follow the assembly steps to assemble your newly purchased product correctly and efficiently.

### PARTS LIST

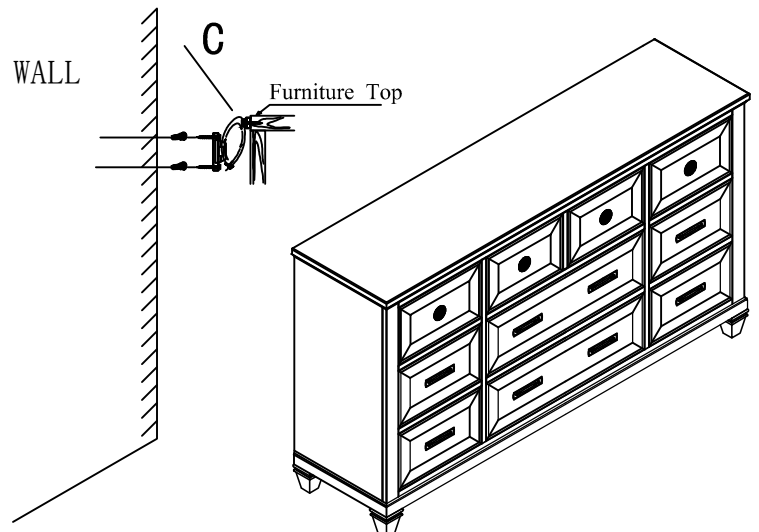
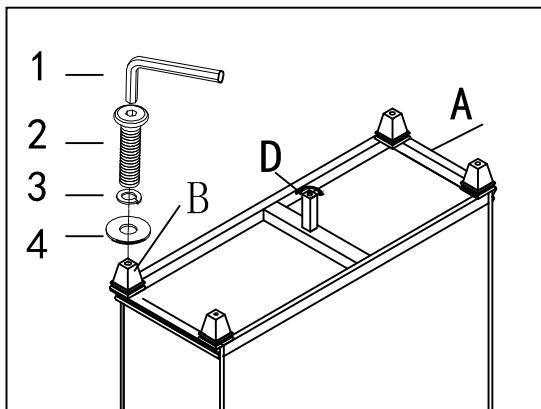
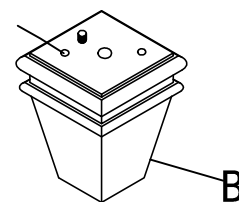
NO:	COMPONENT	SKETCH	Q'TY
A	DRESSER		1PC
B	BUN FOOT		4PCS
C	TIPPING RESTRAINT		1SET
D	SUPPORT LEG		1PC

### HARDWARE LIST

NO:	SKETCH	DESCRIPTION	Q'TY
1		Allen Key 4mm	1 Pc
2		Bolt $\phi$ 5/16" *95mm	4 Pcs
3		Spring Washer $\phi$ 5/16" * 11mm	4 Pcs
4		Flat Washer $\phi$ 5/16" * 16mm	4 Pcs



STEP 2



# Assembly Instructions




ITEM: B2114-050 MARIANA DRESSER  
 B2114-060 MARIANA MIRROR

Thank you for purchasing this quality product. Be sure to check all packing materials carefully for small parts, which may have come loose inside the carton during shipment. Identify and count all items and compare with the PARTS LIST and/or HARDWARE LIST shown below.





Caution: Please read the instructions thoroughly before assembly.

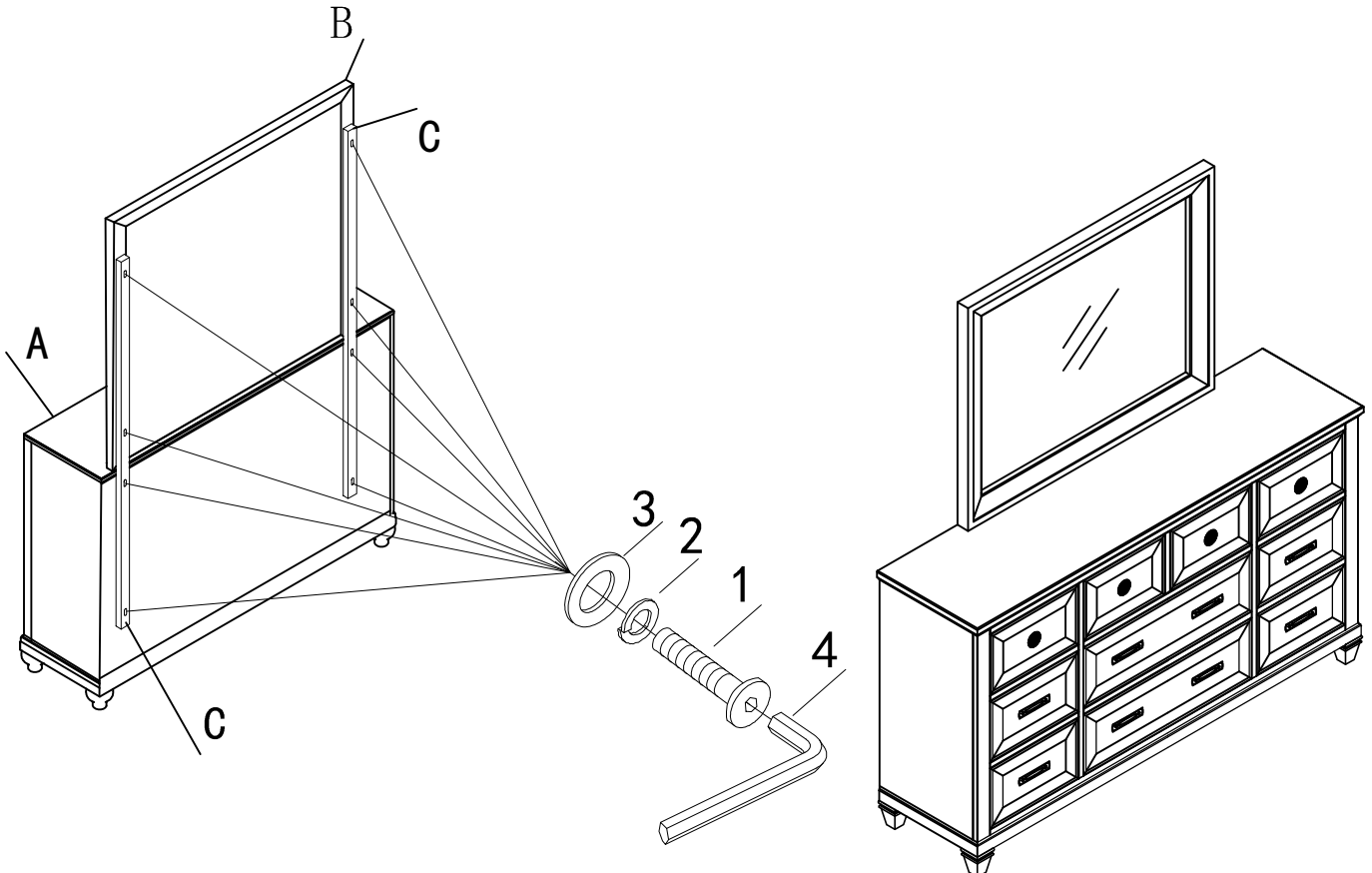
1. We recommend that you assemble this product with the assistance of another person; this will make the assembly easier, and will help eliminate damage to the product or injury to persons during assembly.
2. Please do not over tighten screws or bolts until the assembly is completed.
3. Please put all parts on a non-abrasive floor before assembly, and follow the assembly steps to assemble your newly purchased product correctly and efficiently.

## PARTS LIST

NO:	COMPONENT	SKETCH	Q'TY
A	DRESSER		1PC
B	MIRROR		1PC
C	MIRROR SUPPORT		2PC

## HARDWARE LIST

NO:	COMPONENT	SKETCH	Q'TY
1	BOLT 1/4" *1-1/2"L		8PCS
2	LOCK WASHER 1/4"		8PCS
3	FLAT WASHER PLATE 1/4"		8PCS
4	ALLEN KEY		1PC



# Assembly Instructions




ITEM: B2114-070 MARIANA CHEST

Thank you for purchasing this quality product. Be sure to check all packing materials carefully for small parts, which may have come loose inside the carton during shipment. Identify and count all items and compare with the PARTS LIST and/or HARDWARE LIST shown below.

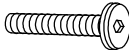



Caution: Please read the instructions thoroughly before assembly.

1. We recommend that you assemble this product with the assistance of another person; this will make the assembly easier, and will help eliminate damage to the product or injury to persons during assembly.
2. Please do not over tighten screws or bolts until the assembly is completed.
3. Please put all parts on a non-abrasive floor before assembly, and follow the assembly steps to assemble your newly purchased product correctly and efficiently.

## PARTS LIST

NO:	COMPONENT	SKETCH	Q'TY
A	CHEST		1PC
B	BUN FOOT		4PCS
C	ANTI-TIP RESTRAINT		1SET

## HARDWARE LIST

NO:	SKETCH	DESCRIPTION	Q'TY
1		Bolt $\phi$ 5/16" * 95mm	4 Pcs
2		Spring Washer $\phi$ 5/16" * 11mm	4 Pcs
3		Flat Washer $\phi$ 5/16" * 16mm	4 Pcs
4		Allen Key 4mm	1 Pc

