

## ITEM #: RVL-OW6603-1

Kira  
Home

### IMPORTANT SAFETY INSTRUCTIONS

- To avoid injury or damage, mount only on a surface that is sturdy.
- To avoid electric shock, make sure the electricity is turned off at the main circuit breaker panel. If you are replacing an existing fixture, turn off the following in order: fixture, wall switch, and main fuse or breaker box.  
**Note: Some types of fuses must be unscrewed to shut the power off.**
- If you are unclear as to how to proceed, please consult a licensed electrician.

**UNPACK THE FIXTURE:** Check the contents of the box. Box should contain all items on the parts diagram.



**For any replacement parts or installation issues, please Contact Us!**

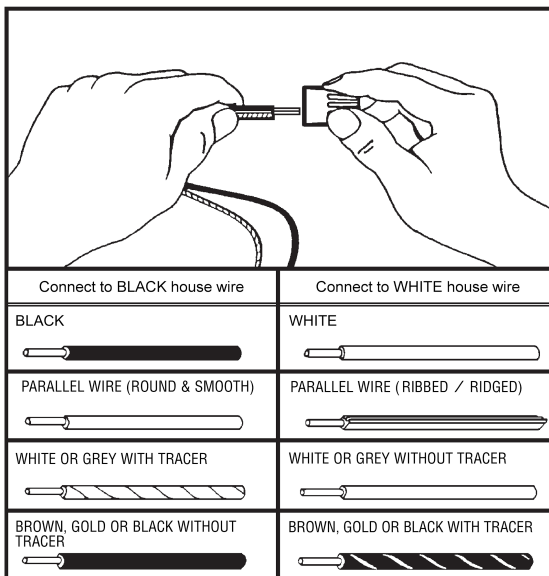
**Email:** help@kira-home.com

**Facebook/Instagram:** @KiraHomeDecor

**Phone:** 888.208.2085

### INSTALLATION INSTRUCTIONS

1. Secure Mounting Plate (A) to the junction box (not included) using Mounting Screws (B) provided. Ensure Mounting Plate (A) is positioned with the brackets on the left and right.
2. Using the wire graph below, connect the appropriate wires from the fixture to the corresponding wires in the electrical junction box (not included) and secure Wire Connectors (C).



- A.** Connect the ground wire (bare copper or green) from your fixture to the:
  - 1) ground wire in the junction box, or
  - 2) ground screw in the junction box
- B.** Connect the BLACK house wire to fixture hot wire that corresponds to diagram (black, round & smooth, white/grey with tracer, brown/gold without tracer).
- C.** Connect the WHITE house wire to fixture neutral wire that corresponds to diagram (white, ribbed/ridged, white/grey without tracer, brown/gold with tracer).

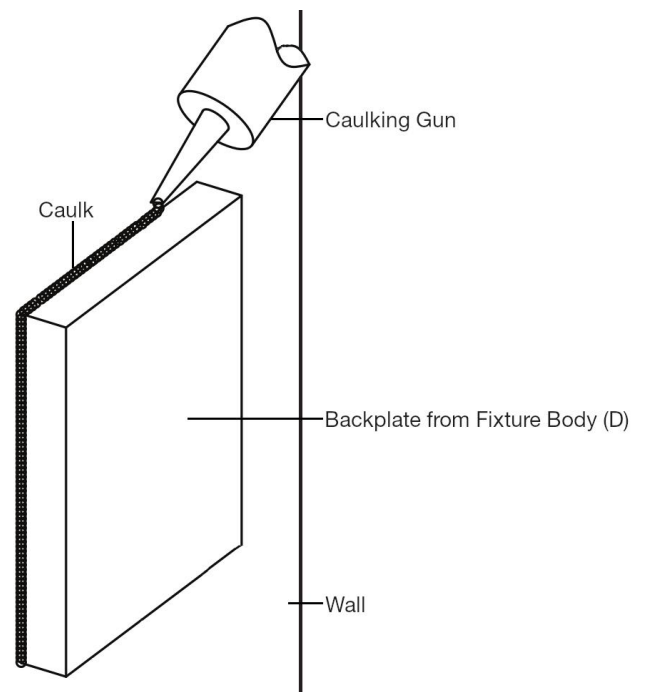
3. Place all wires and Wire Connectors (C) back into the junction box.
4. Place Backplate Assembly (D) against the wall, ensuring holes on each side of Backplate Assembly (D) align with the holes on Mounting Plate (A). Secure Backplate Assembly (D) to Mounting Plate (A) with Backplate Screws (E).
5. Secure Shade (G) to Socket (F) with Socket Ring (H).  
**Note: Socket Ring (H) should already be attached to Socket (F). Remove Socket Ring (H) prior to installing Shade (G).**
6. Install light bulb (not included) into Socket (F).

Enjoy your new fixture!

## CAULKING INSTRUCTIONS

1. After securing Backplate Assembly (D) against the wall, seal entirely around the gap between the wall and backplate with good quality waterproof caulk or silicone sealant (not included) and allow to dry.

Enjoy your new fixture!



# Kira Home

ITEM #: RVL-OW6603-1 - PARTS DIAGRAM

HELPFUL TOOLS: Safety Goggles, Screwdriver, Ladder, Measuring Tape, Caulk

