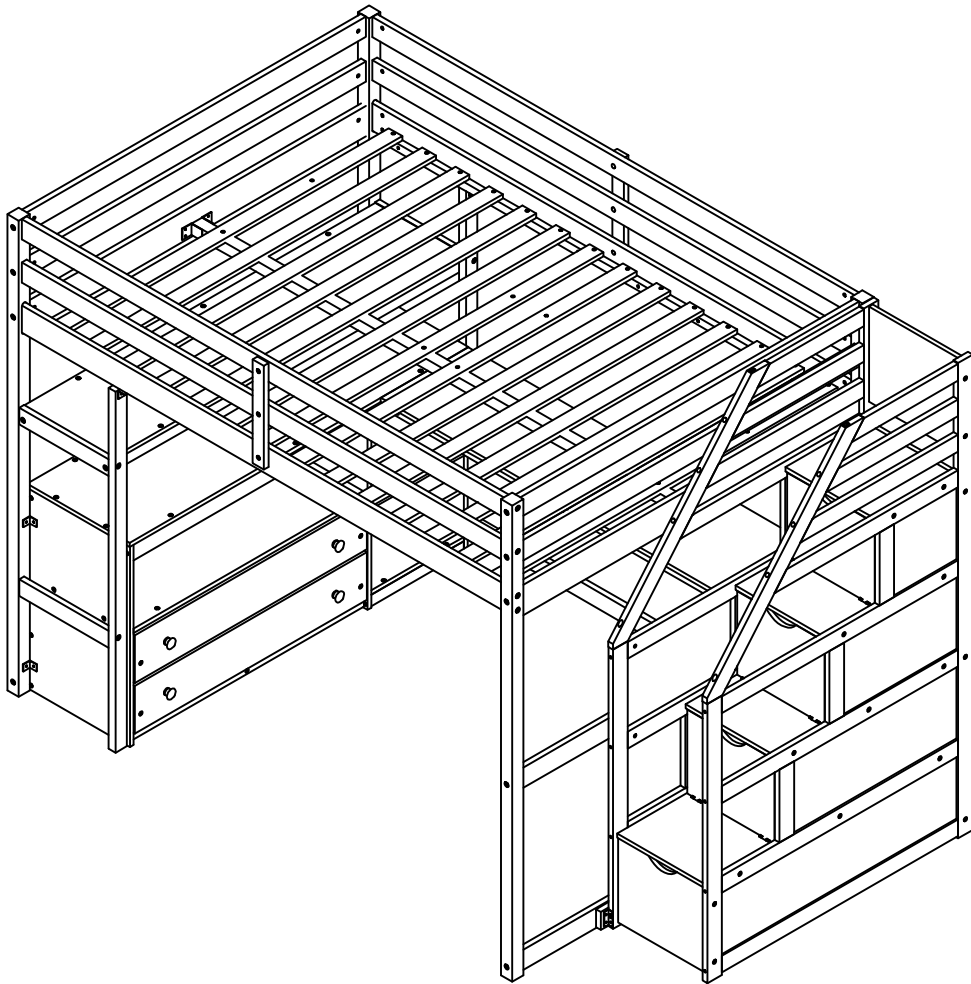


ASSEMBLY INSTRUCTIONS

FULL LOFT BED WITH DESK AND STAIR



SAFETY WARNINGS AND GENERAL NOTES:

Follow the information on the warnings on the loft bed end structure and on the carton. Do not remove the warning label from the bed. Always use the recommended size mattress on mattress support, or both, to help prevent the likelihood of entrapment or falls.

The top surface of the mattress must be at least 5*inch (127mm) below the upper edge of the guardrail.

Do not allow children under 6 years of age to use the upper bunk.

Periodically check and ensure the guardrail, ladder and other components are in their proper position, free from damage, and all connectors are tight.

Do not allow horseplay on or under beds.

Always prohibit jumping on the bed.

Prohibit more than one person on upper bunk.

Always use the ladder for entering and leaving the upper bunk.

Do not use substitute parts. Contact the manufacturer or dealer for replacement parts.

Use of a night-light may provide added safety precaution for a child using the upper bunk.

Always use guardrails on both long sides of the upper bunk.

If the loft bed will be placed next to a wall, the guardrail that runs the full length of the bed should be placed against the wall to prevent entrapment between the bed and the wall.

The use of water or sleep flotation mattresses is prohibited.

STRANGULATION HAZARD-Never attach or hang items to any part of the loft bed that are not designed for use with the bed.

Keep these instructions for future reference.

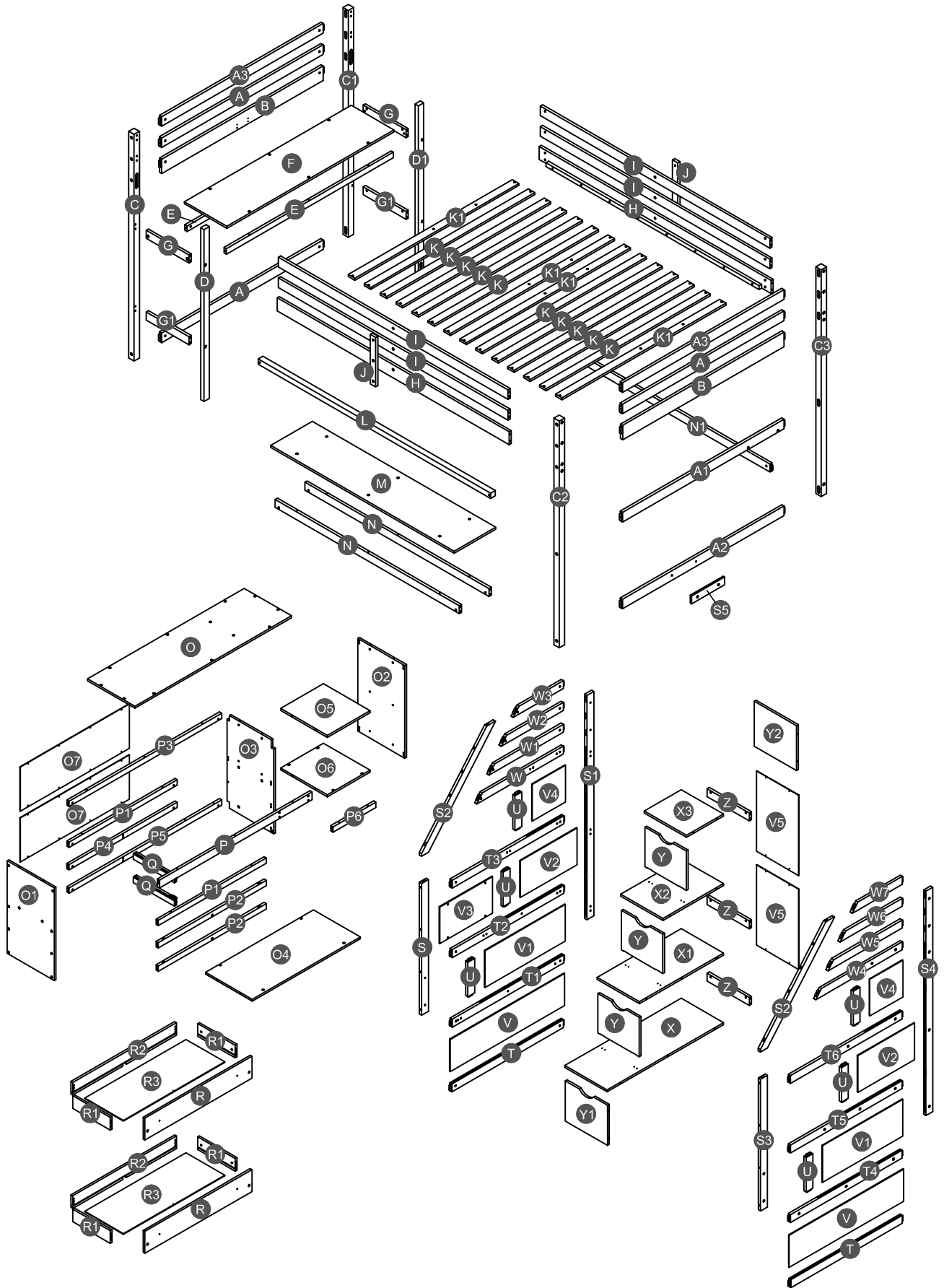
We recommend assembling your loft bed on the shipping carton to protect your floor or carpet.

Be certain all staples are out of the box before beginning assembly on the shipping carton.

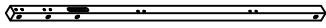
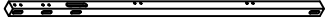
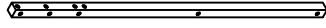
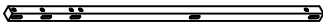
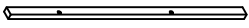
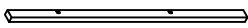

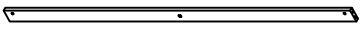


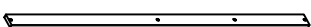

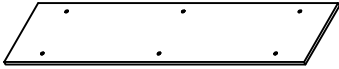
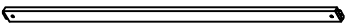
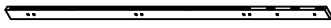
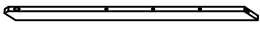
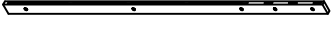
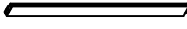

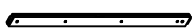




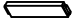
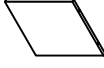
USE ONLY MATTRESSES WHICH ARE 74"-75" LONG AND 54" WIDE ON UPPER AND ON LOWER BUNKS. ENSURE THICKNESS OF MATTRESS DOES NOT EXCEED 6".

SURFACE OF MATTRESS MUST BE AT LEAST 5" (127MM) BELOW THE UPPER EDGE OF GUARDRAILS.

Detail View

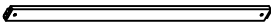
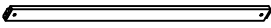

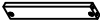
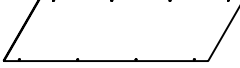
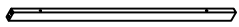

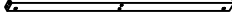





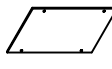
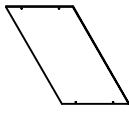


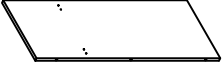

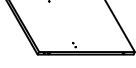



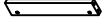


Part List

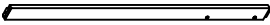
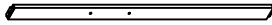


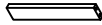
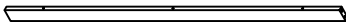

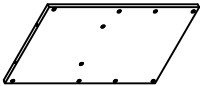
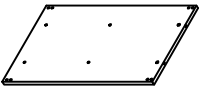
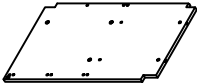

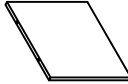
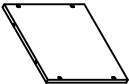
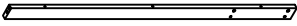
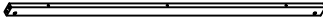
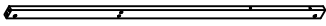
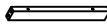
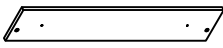
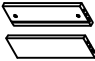



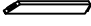
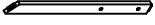


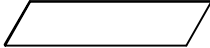
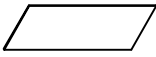
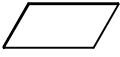

<p>C</p>  <p>Leg (Left Front) - 1pc</p>	<p>C1</p>  <p>Leg (Left Back) - 1pc</p>	<p>C2</p>  <p>Leg (Right Front) - 1pc</p>
<p>C3</p>  <p>Leg (Right Back) - 1pc</p>	<p>D</p>  <p>Leg (Left Front) - 1pc</p>	<p>D1</p>  <p>Leg (Left Back) - 1pc</p>
<p>H</p>  <p>Side rail - 2pcs</p>	<p>I</p>  <p>Upper long guard rail - 4pcs</p>	<p>J</p>  <p>Vertical guard rail - 2pcs</p>
<p>K</p>  <p>Slat - 10pcs</p>	<p>K1</p>  <p>Slat - 4pcs</p>	<p>L</p>  <p>Lower support slat - 1pc</p>
<p>M</p>  <p>Top panel (Back) - 1pc</p>	<p>N1</p>  <p>Lower horizontal bar (back) - 1pc</p>	<p>S1</p>  <p>Vertical guard (Left Back)) - 1pc</p>
<p>S2</p>  <p>Guard side - 2pcs</p>	<p>S4</p>  <p>Vertical guard (Right Back) - 1pc</p>	<p>T</p>  <p>Lower horizontal bar - 2pcs</p>
<p>T1</p>  <p>Divider horizontal bar (Left) - 1pc</p>	<p>T2</p>  <p>Divider horizontal bar (Left) - 1pc</p>	<p>T3</p>  <p>Upper horizontal bar (Left) - 1pc</p>
<p>T4</p>  <p>Divider horizontal bar (Right) - 1pc</p>	<p>T5</p>  <p>Divider horizontal bar (Right) - 1pc</p>	<p>T6</p>  <p>Upper horizontal bar (Right) - 1pc</p>
<p>U</p>  <p>Vertical guard - 6pcs</p>	<p>Y2</p>  <p>Upper back panel - 1pc</p>	

Part List




Hardware List

A  Horizontal bar HB/FB - 3pcs	A3  Upper horizontal bar HB/FB - 2pcs	F  Top panel HB - 1pc
G  Upper horizontal bar HB (Front/Back) - 2pcs	O7  Back panel - 2pcs	P1  Divider horizontal bar (front/back) - 2pcs
P2  Lower horizontal bar (front) - 2pcs	P4  Lower horizontal bar (back) - 1pc	Q  Support drawer - 2pcs
R3  Drawer bottom - 2pcs	S  Vertical guard (Left Front) - 1pc	S3  Vertical guard (Right Front) - 1pc
S5  Support horizontal bar - 1pc	V3  Divider side panel - 1pc	V5  Back panel - 2pcs
W2  Upper horizontal bar (Left) - 1pc	W6  Upper horizontal bar (Right) - 1pc	X  Lower step ladder panel -1pc
X1  Divider step ladder panel -1pc	X2  Divider step ladder panel -1pc	X3  Upper step ladder panel -1pc
Y  Upper front panel - 3pcs	Y1  Lower front panel - 1pc	Z  Horizontal bar (Back) - 3pcs

Part List

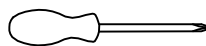
A1  Horizontal bar FB - 1pc	A2  Lower horizontal bar FB - 1pc	B  Horizontal bar FB - 2pcs
E  Horizontal bar HB - 2pcs	G1  Lower horizontal bar HB (Front/Back) - 2pcs	N  Horizontal bar (Front/Back) - 2pcs
O  Top panel - 1pc	O1  Side panel (Left) - 1pc	O2  Side panel (Right) - 1pc
O3  Divider panel - 1pc	O4  Shelf panel - 1pc	O5  Shelf panel - 1pc
O6  Bottom panel - 1pc	P  Upper horizontal bar (front) - 1pc	P3  Upper horizontal bar (back) - 1pc
P5  Lower horizontal bar (back) - 1pc	P6  Lower horizontal bar (Right front) - 1pc	R  Drawer front - 2pcs
R1  Drawer (left/right) - 4pcs	R2  Drawer back - 2pcs	W  Upper horizontal bar (Left) - 1pc
W1  Upper horizontal bar (Left) - 1pc	W3  Upper horizontal bar (Left) - 1pc	W4  Upper horizontal bar (Right) - 1pc
W5  Upper horizontal bar (Right) - 1pc	W7  Upper horizontal bar (Right) - 1pc	V  Lower side panel - 2pcs
V1  Divider side panel - 2pcs	V2  Divider side panel - 2pcs	V4  Upper side panel - 2pcs

Hardware List

1	 Ø8*30mm Wood dowel (60pcs)	2	 (Ø15)1/4"*100mm Hex-Head bolts (32pcs)	3	 (Ø15)1/4"*80mm Hex-Head bolts (23pcs)
4	 (Ø12)1/4"*60mm Hex-Head bolts (95pcs)	5	 (Ø12)1/4"*30mm Hex-Head bolts (8pcs)	6	 1/4"*15 (9.5mm) Horizontal-Hole bolts(150pcs)
7	 Ø3.5*15mm Wood screws (28pcs)	8	 (Ø12)1/4"*65mm Hex-Head bolts (18pcs)	9	 (Ø12)1/4"*40mm Hex-Head bolts (26pcs)
10	 (1/4")4.5*58mm Allen key (2pcs)	11	 Ø4*30mm Wood screws (32pcs)	12	 340*30mm Upper slider drawer (2pcs)
13	 Ø3.5*15mm Wood screws (38pcs)	14	 3/16"*25mm Ph zinc(Knob) (4pcs)	15	 Ø10*40mm Wood dowel (8pcs)
16	 Ø38*31mm Pine Knob (4pcs)	17	 50*24*24*2mm Metal bracket (2pcs)	18	 45*17*13mm Door catch (3pcs)
19	 42*12*1mm Metal magnet (3pcs)	20	 24*28*28*2mm Metal bracket (6pcs)	21	 Ø3.5*12mm Wood screws (24pcs)
22	 (Ø13)1/4"*14mm Connect bolt (2pcs)	23	 116*40*27mm Metal bracket (2pcs)	24	 (Ø12)1/4"*40mm Hex-Head bolts (2pcs)
25	 40*18*18*2mm Metal bracket (1pc)				

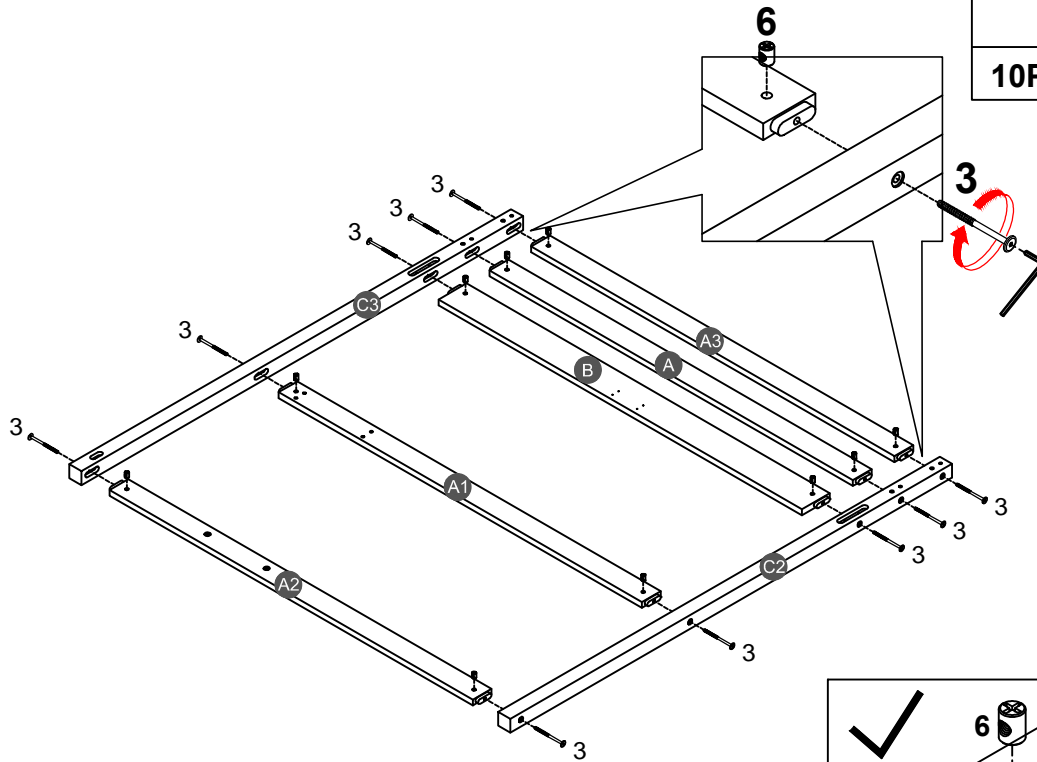


ASSEMBLY TOOLS REQUIRED (NOT INCLUDED)



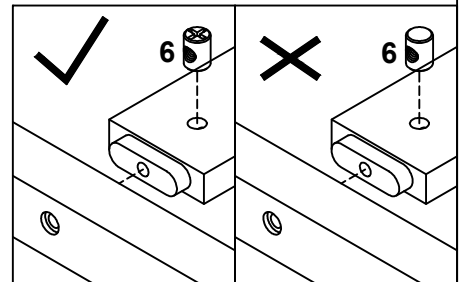
PLEASE BE CAREFUL DO NOT DAMAGE THE HOLE POSITION WHEN YOU USE POWER TOOLS !

STEP 1:

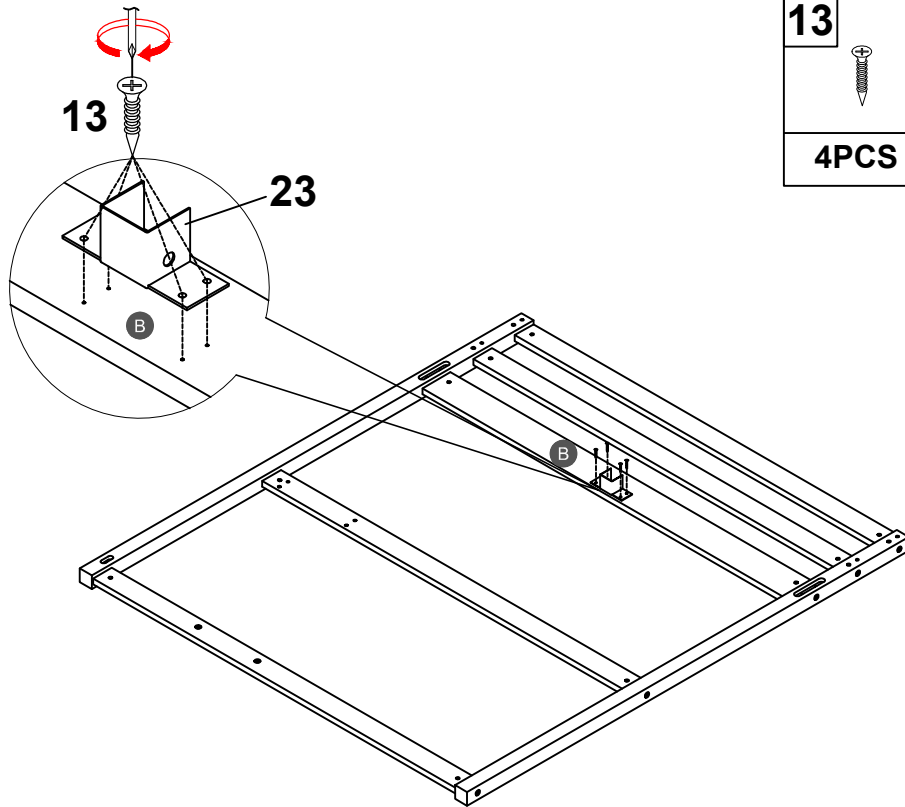


3		6	
10PCS		10PCS	

Note: Part 6 will face up with the "x" mark on it, otherwise it cannot be tightened

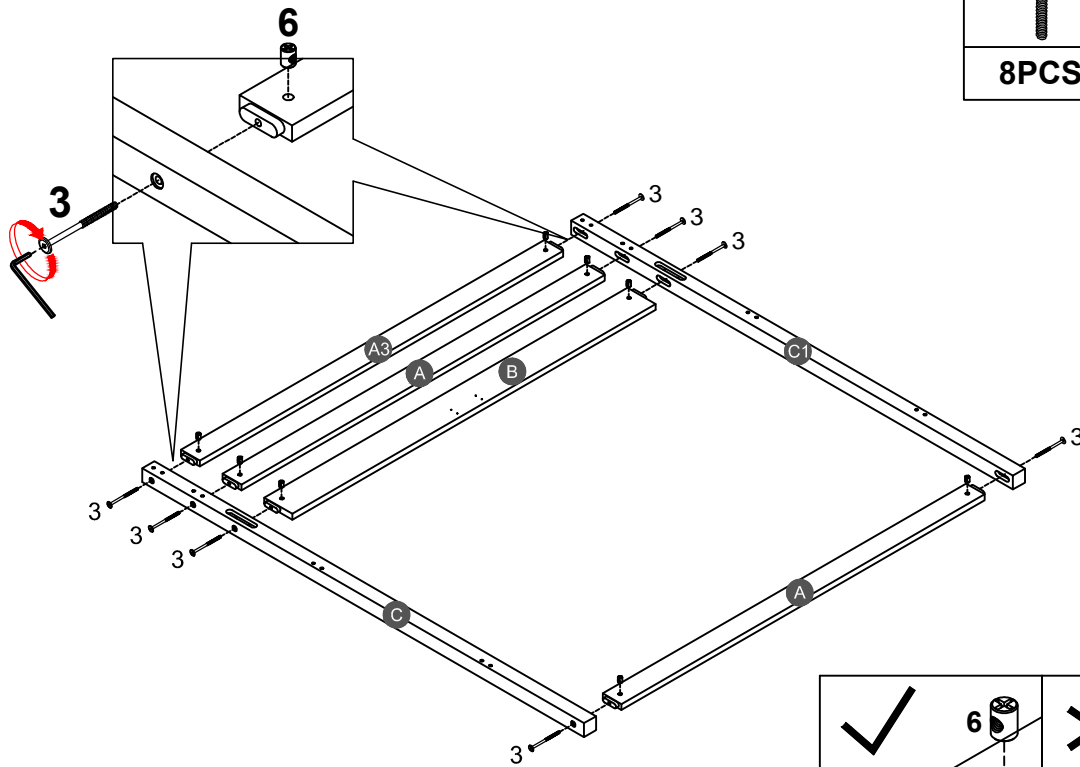




STEP 2:



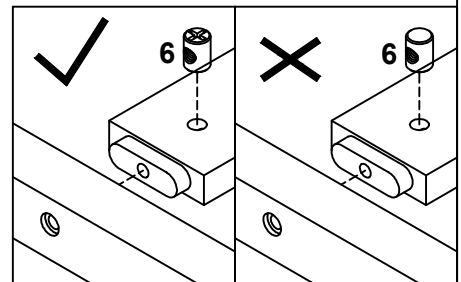
13		23	
4PCS		1PC	

STEP 3:

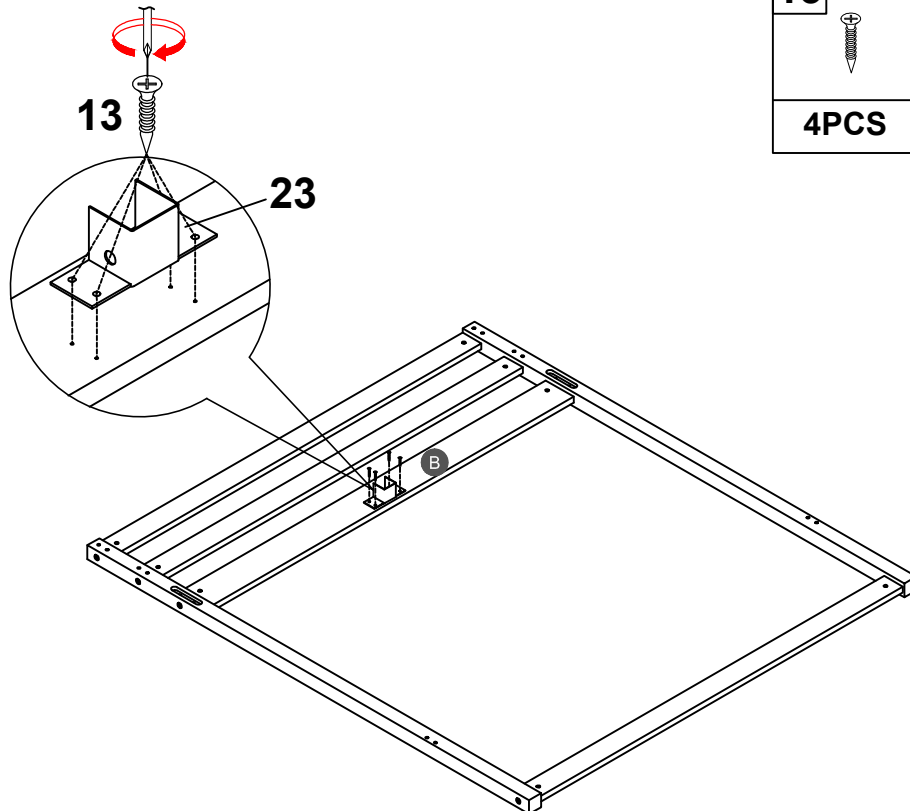



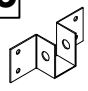
3		6	
8PCS		8PCS	

Note: Part 6 will face up with the "x" mark on it, otherwise it cannot be tightened





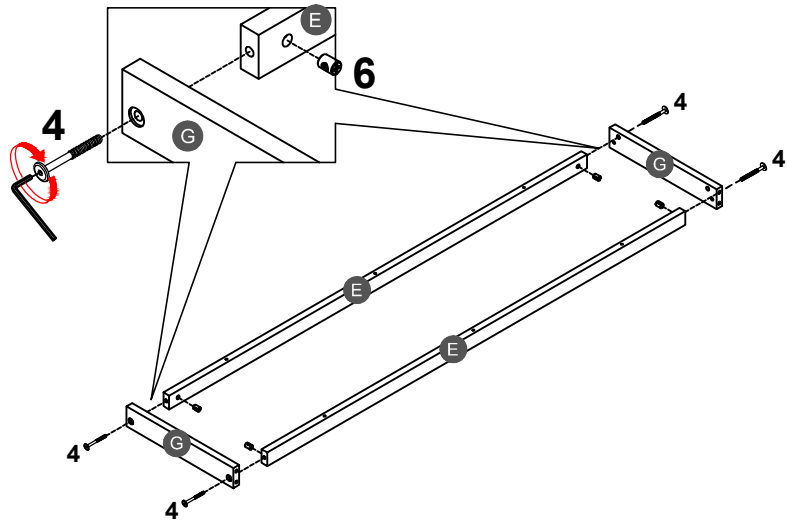
STEP 4:







13		23	
4PCS		1PC	

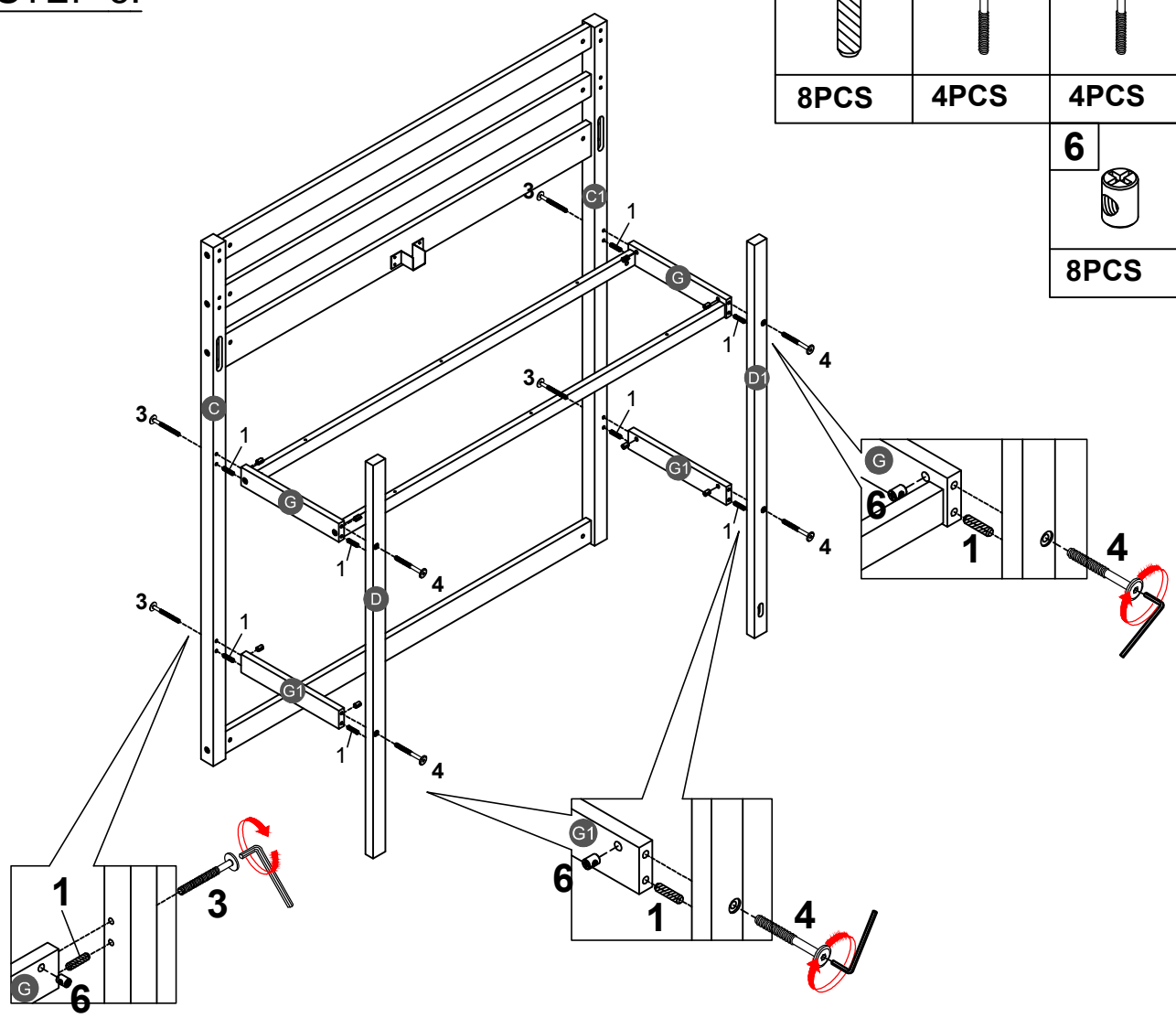
STEP 5:

4		6	
4PCS		4PCS	

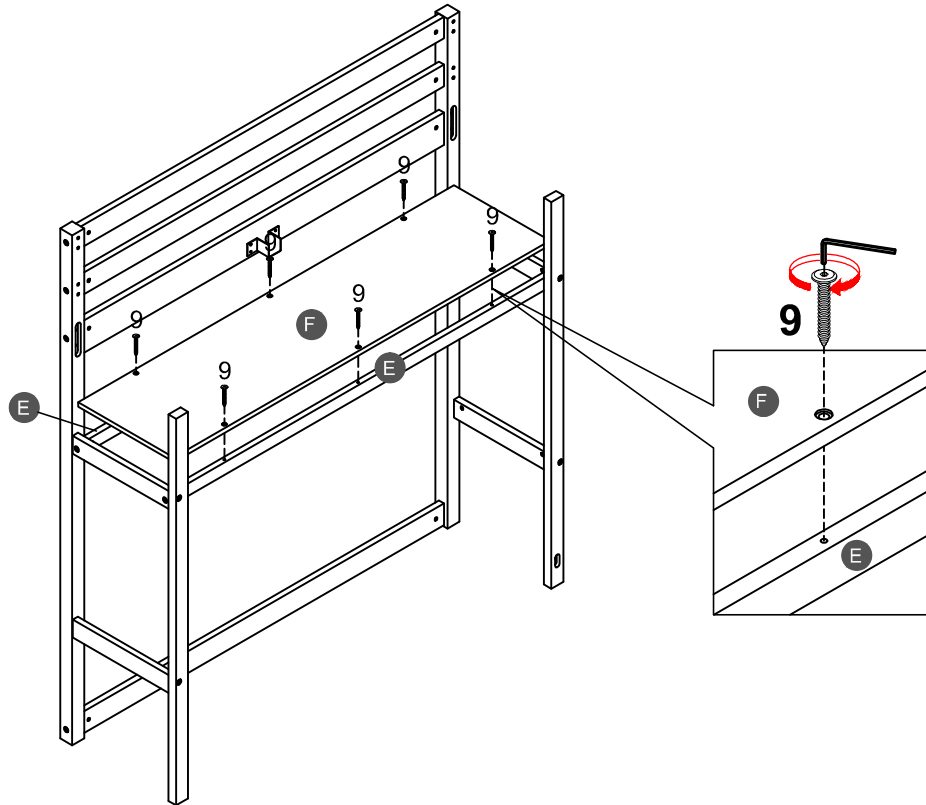



STEP 6:

1		3		4	
8PCS		4PCS		4PCS	
				6	
				8PCS	

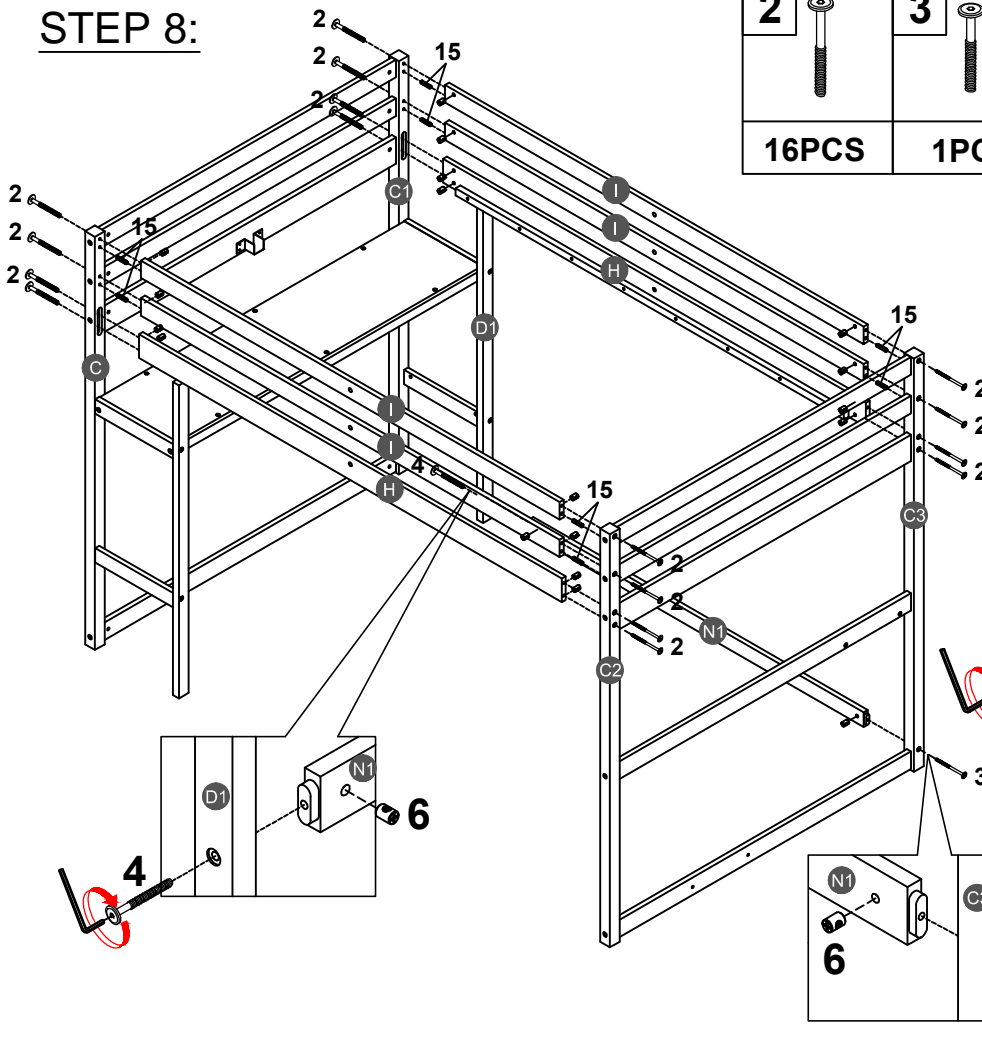






STEP 7:




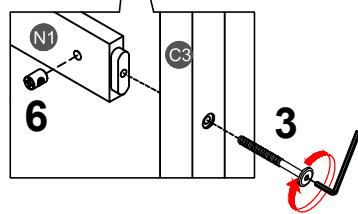
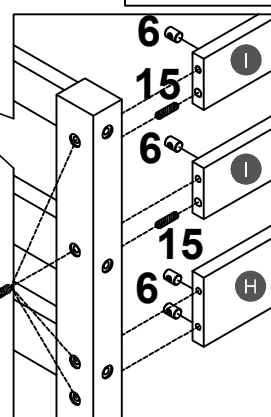
9	
6PCS	

STEP 8:



2		3		4		6	
16PCS		1PC		1PC		18PCS	

15	
8PCS	

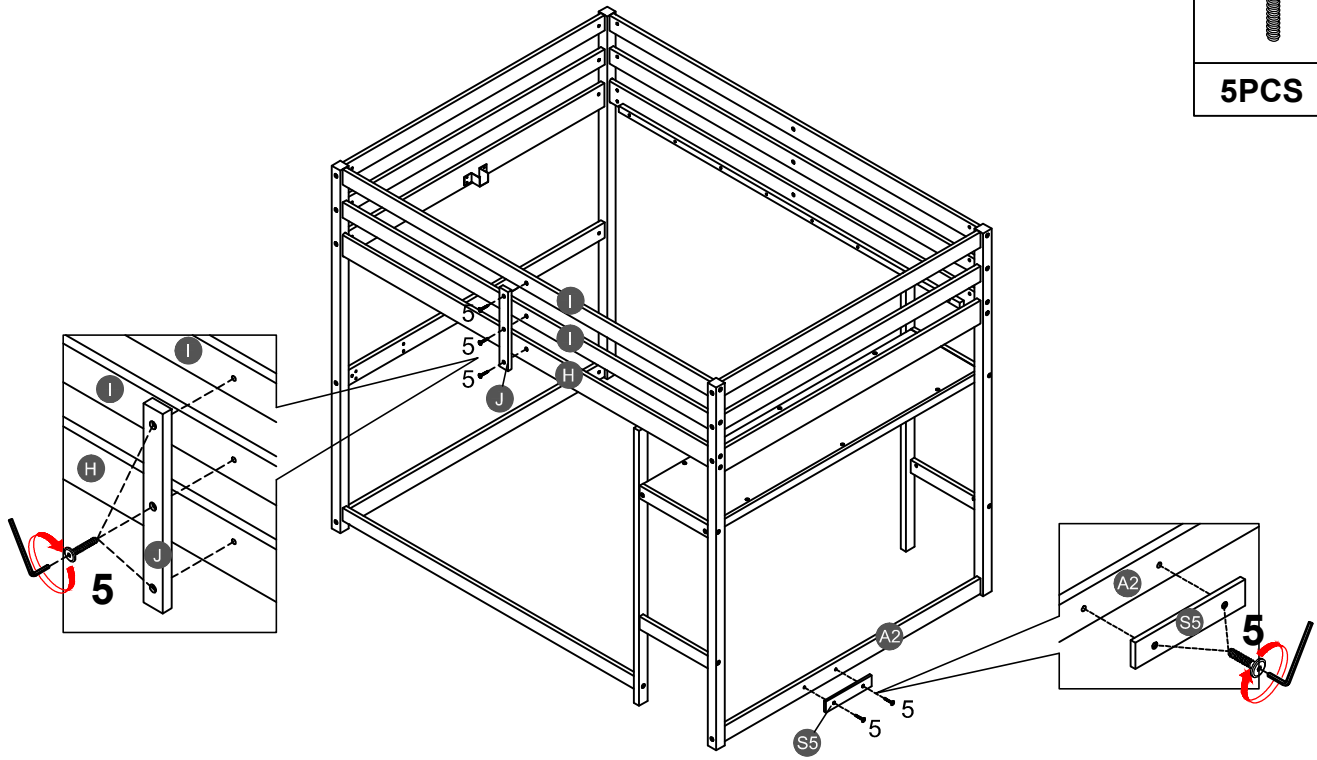


STEP 9:

5



5PCS



STEP 10:

5



3PCS

13

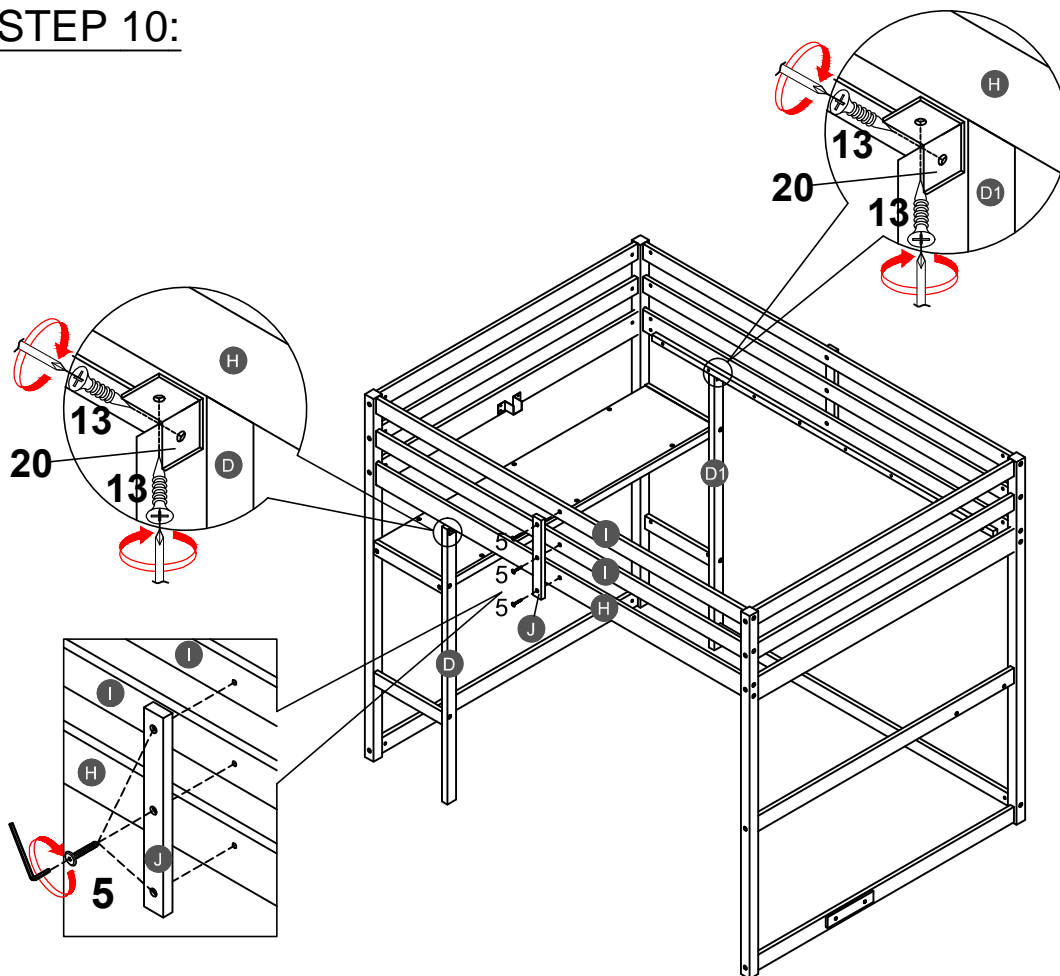


4PCS

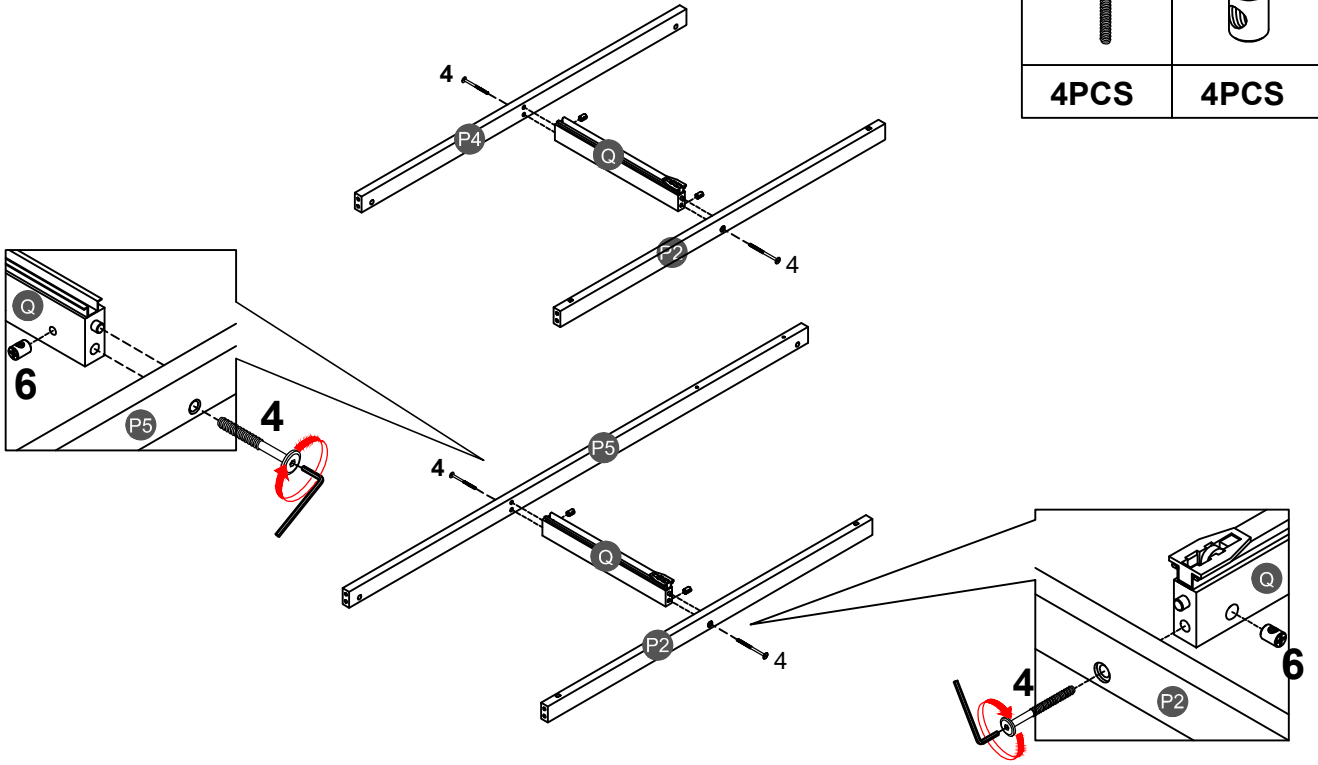
20





2PCS

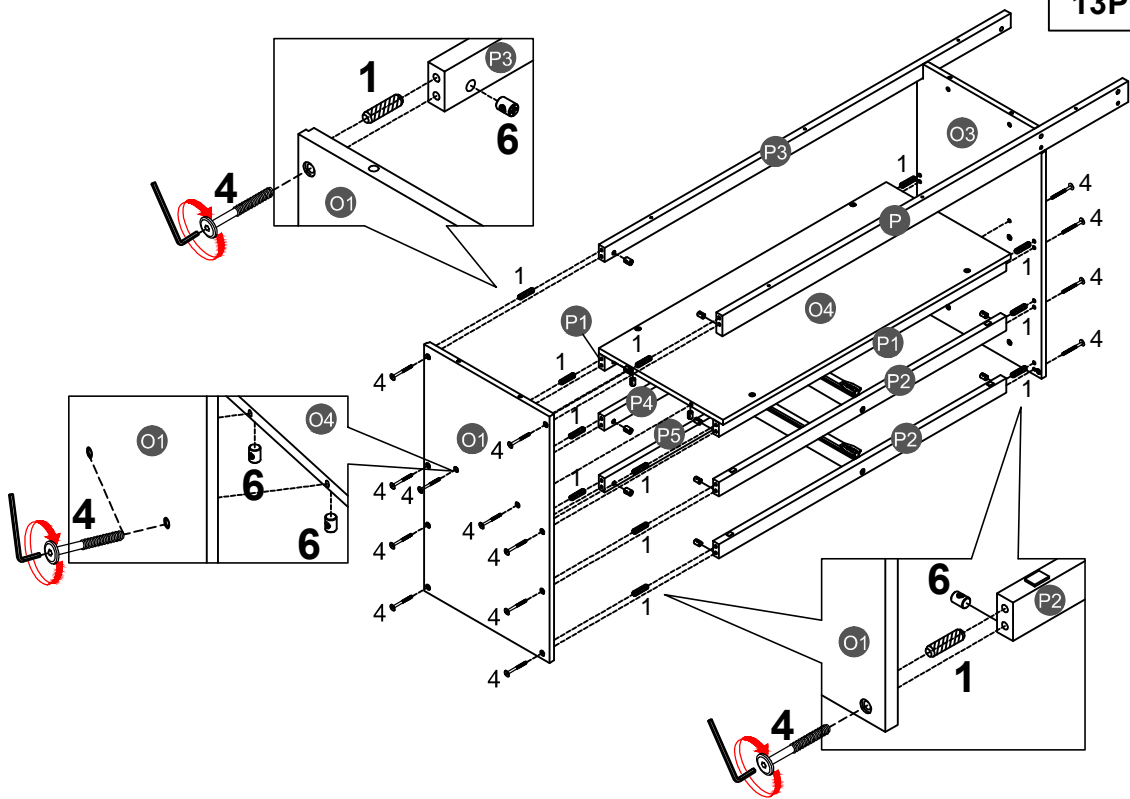





STEP 11:






4		6	
4PCS		4PCS	

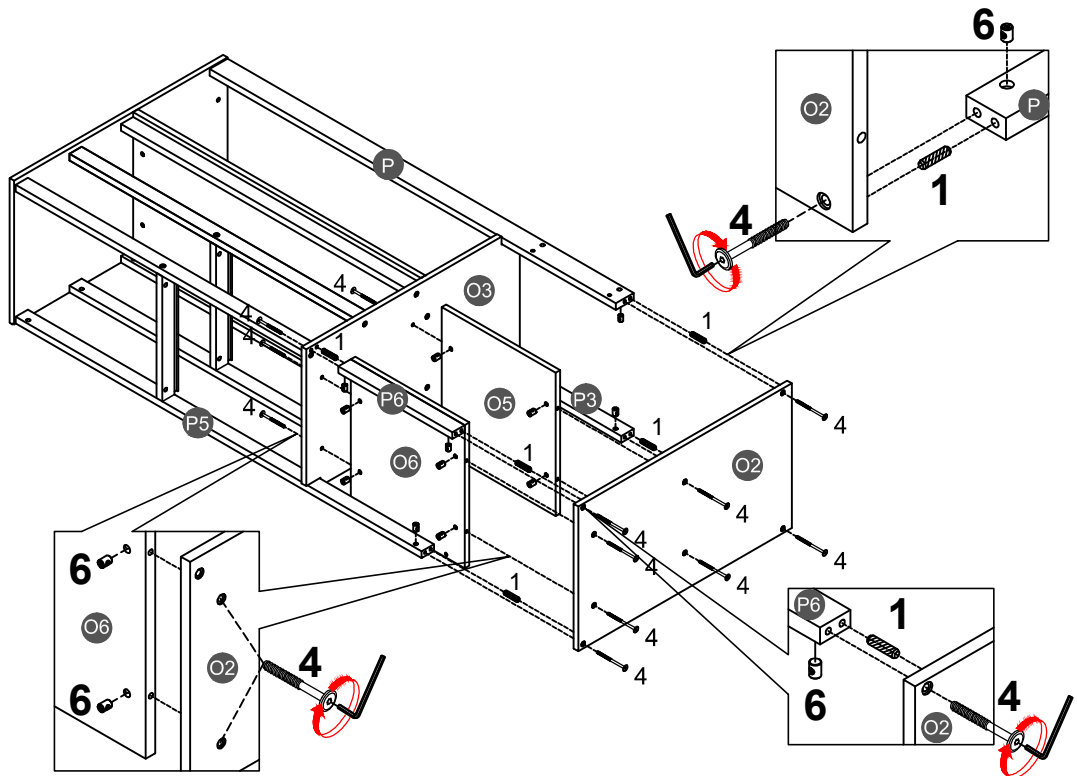
STEP 12:




1		4	
13PCS		17PCS	
		6	
		17PCS	

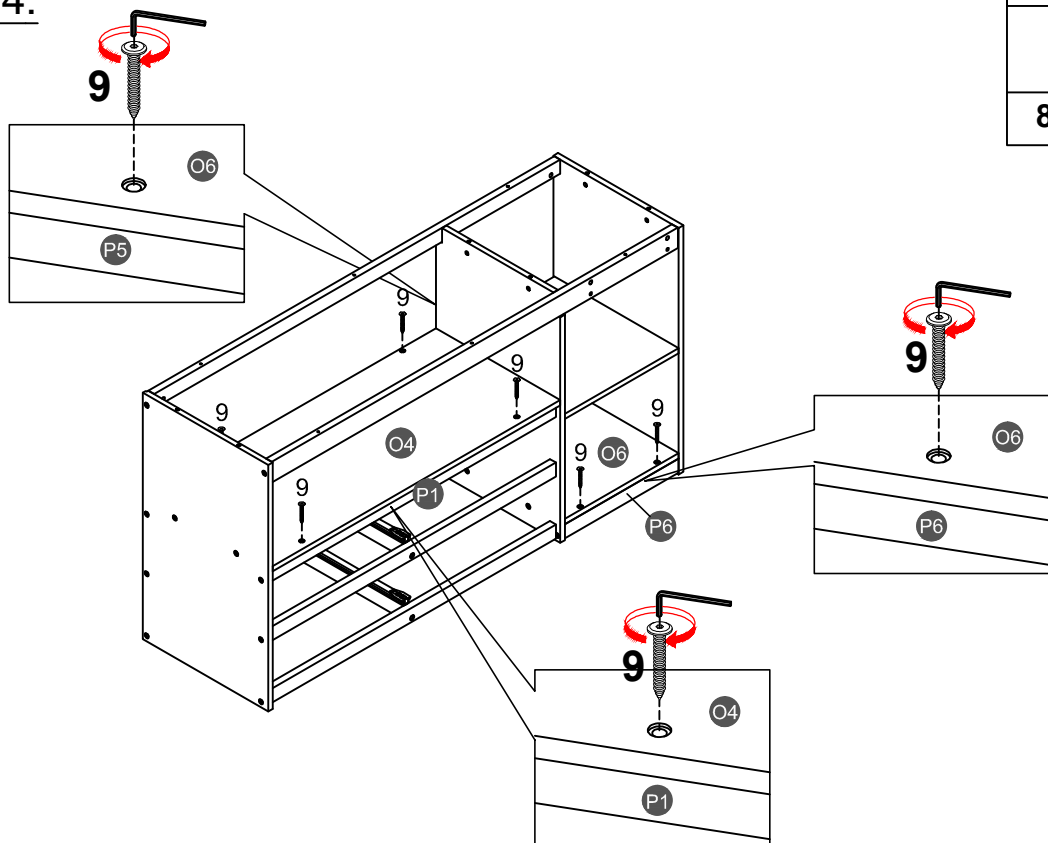
STEP 13:

1		4		6	
5PCS		13PCS		13PCS	

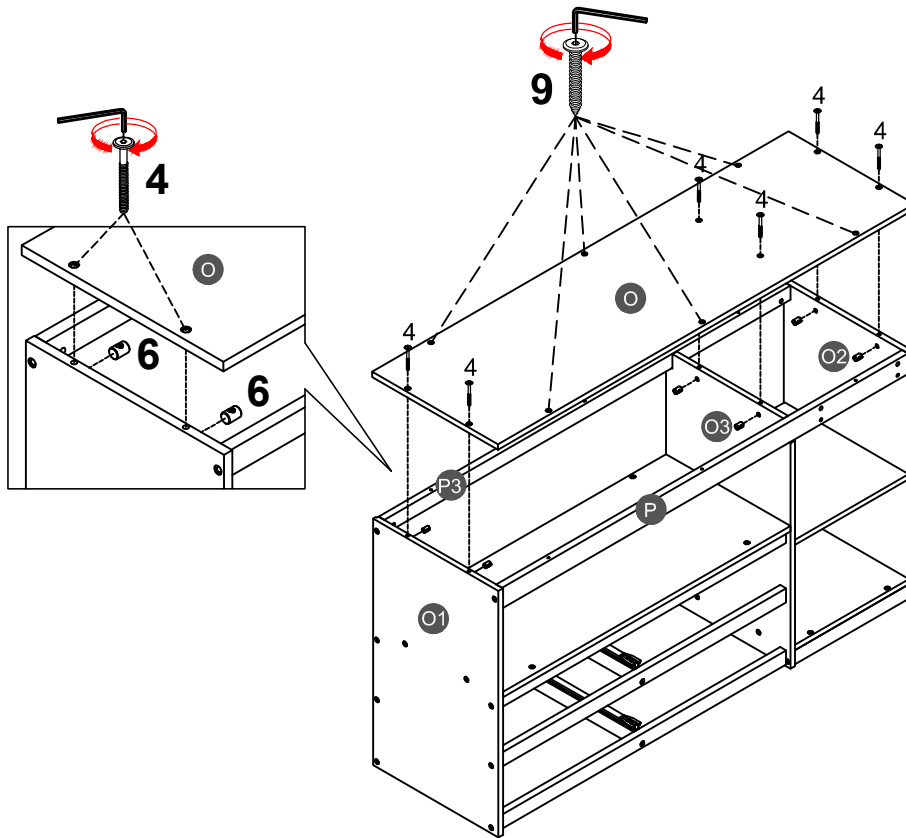





STEP 14:

9	
8PCS	

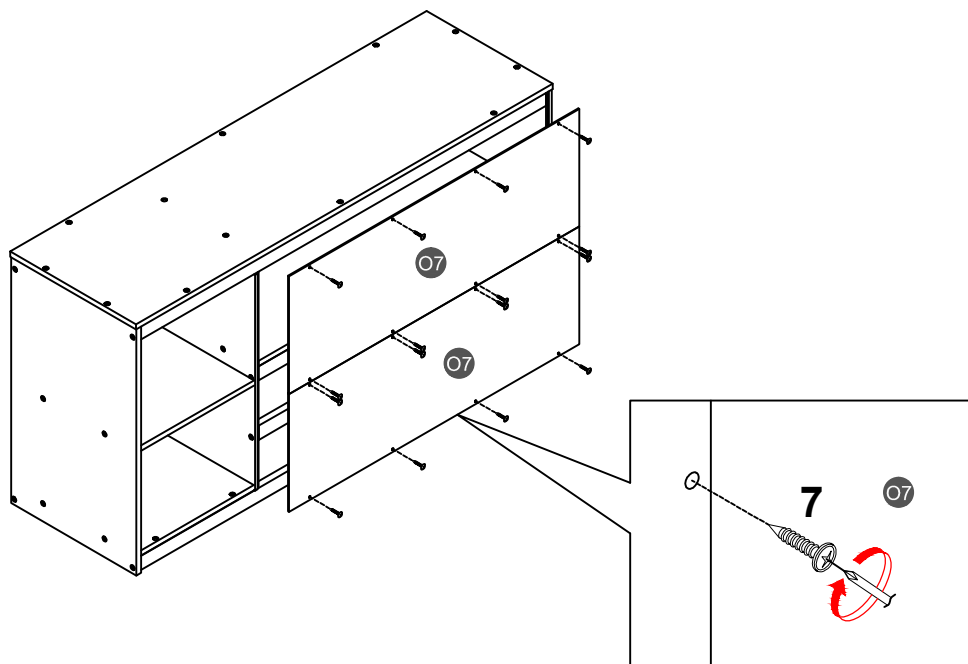



STEP 15:



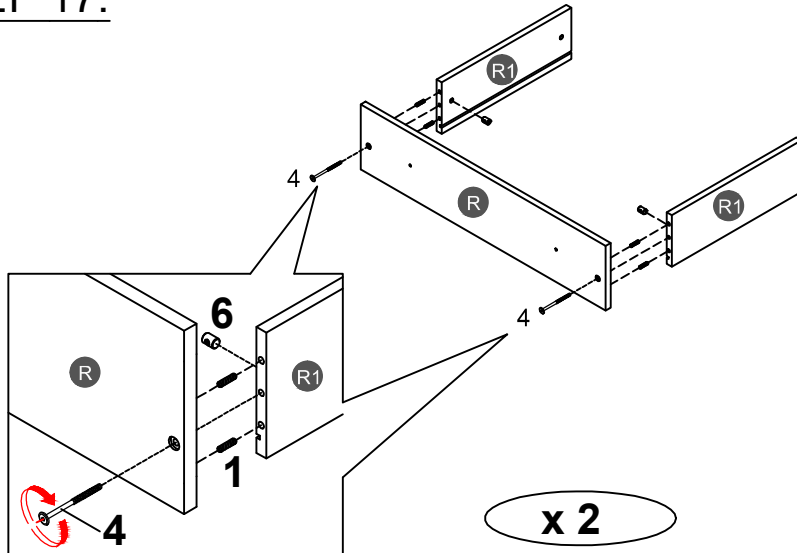
4		6	
6PCS		6PCS	
		9	
		6PCS	




STEP 16:



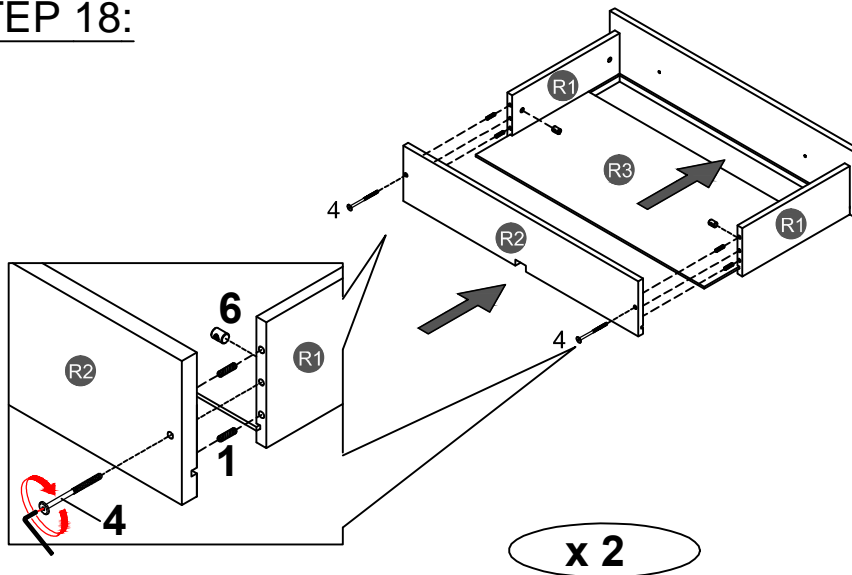
7	
16PCS	




STEP 17:



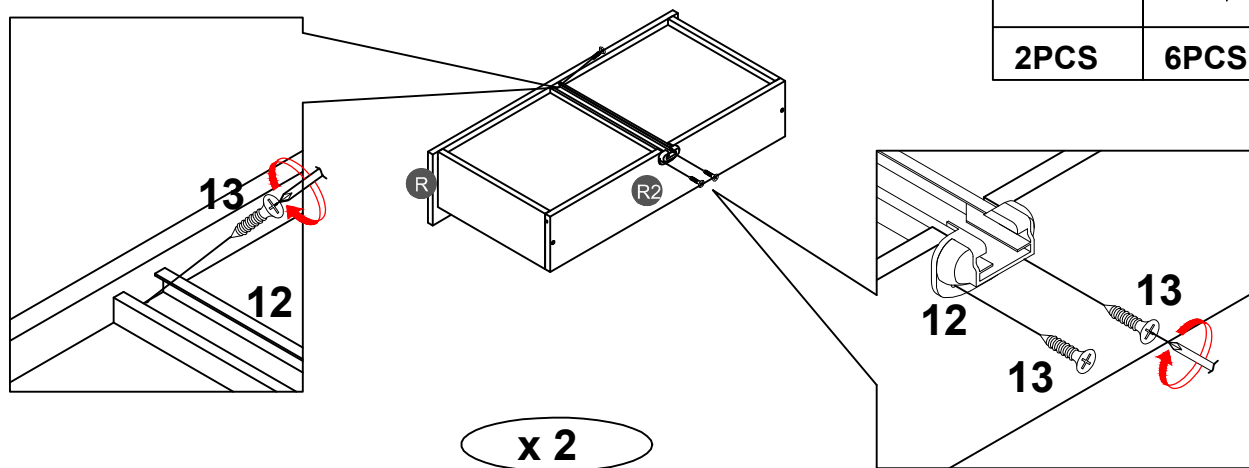
1		4	
8PCS		4PCS	
		6	
		4PCS	



STEP 18:



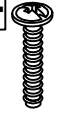
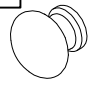
1		4	
8PCS		4PCS	
		6	
		4PCS	

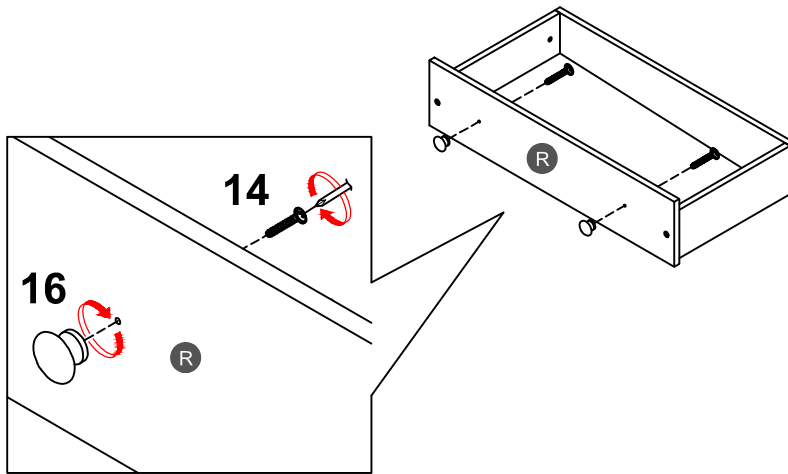
STEP 19:



12		13	
2PCS		6PCS	

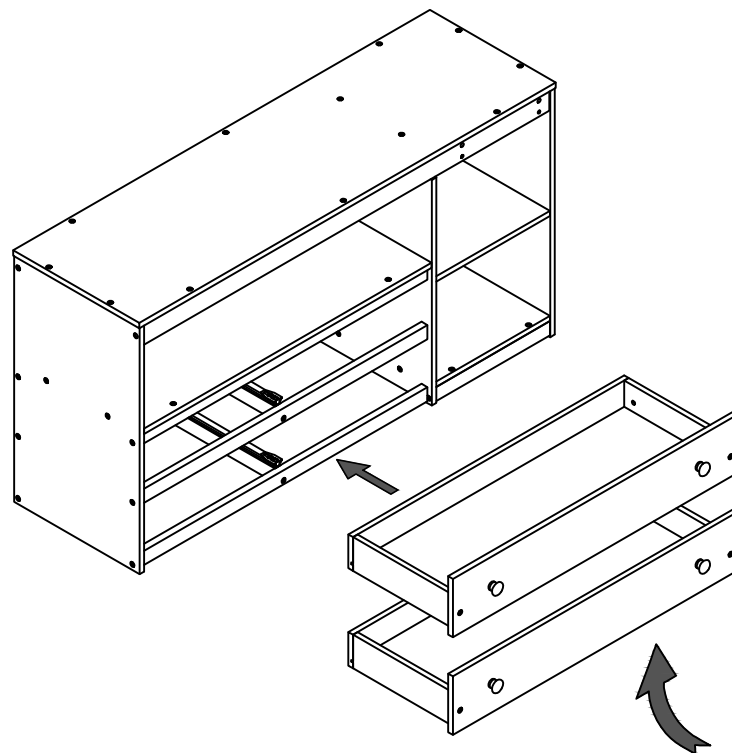
STEP 20:

14		16	
4PCS		4PCS	

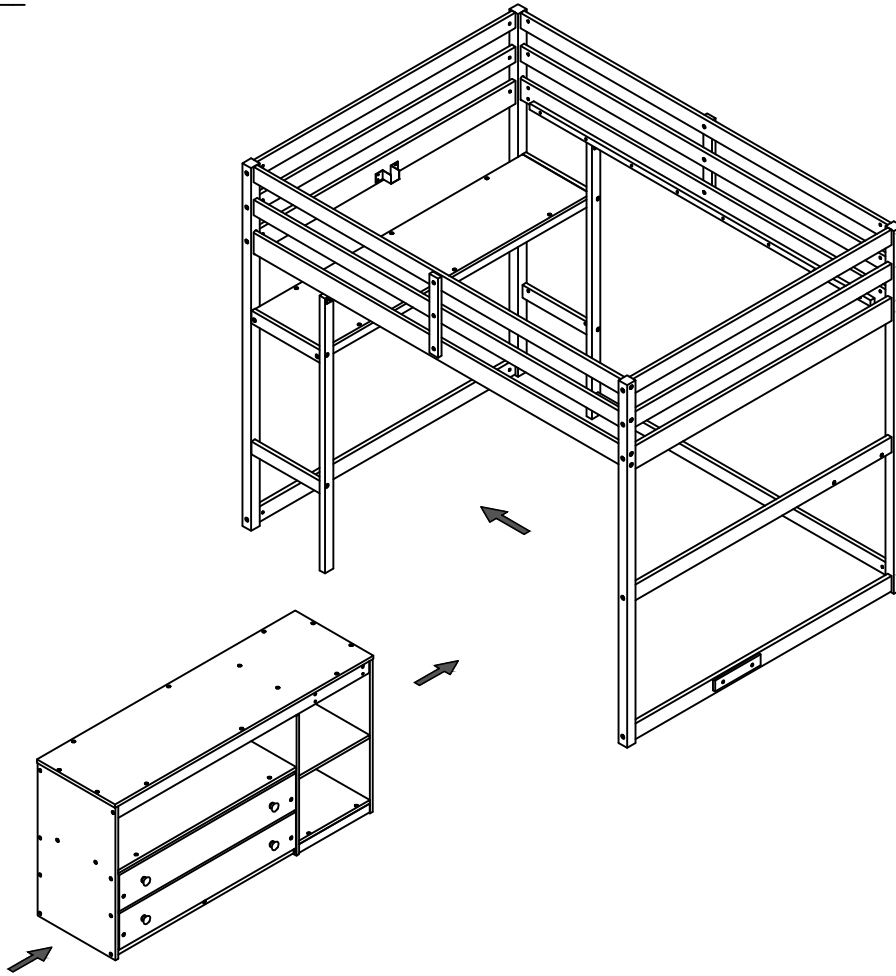


x 2


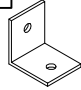
STEP 21:

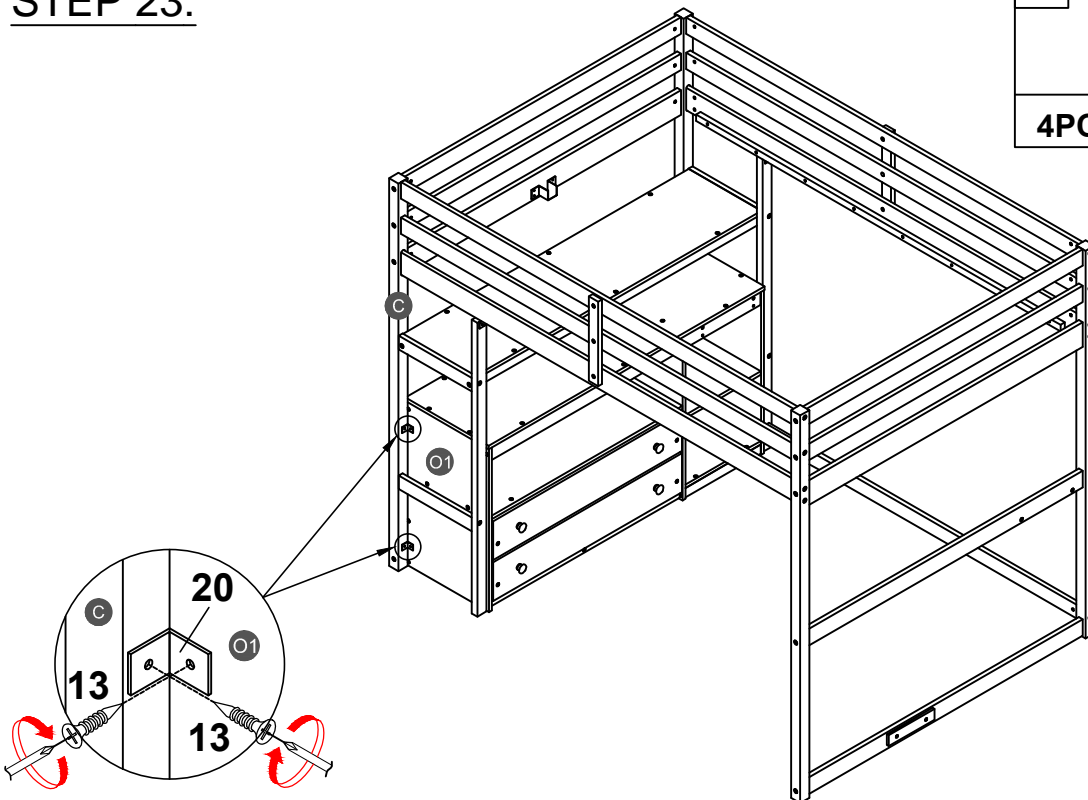


STEP 22:


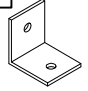


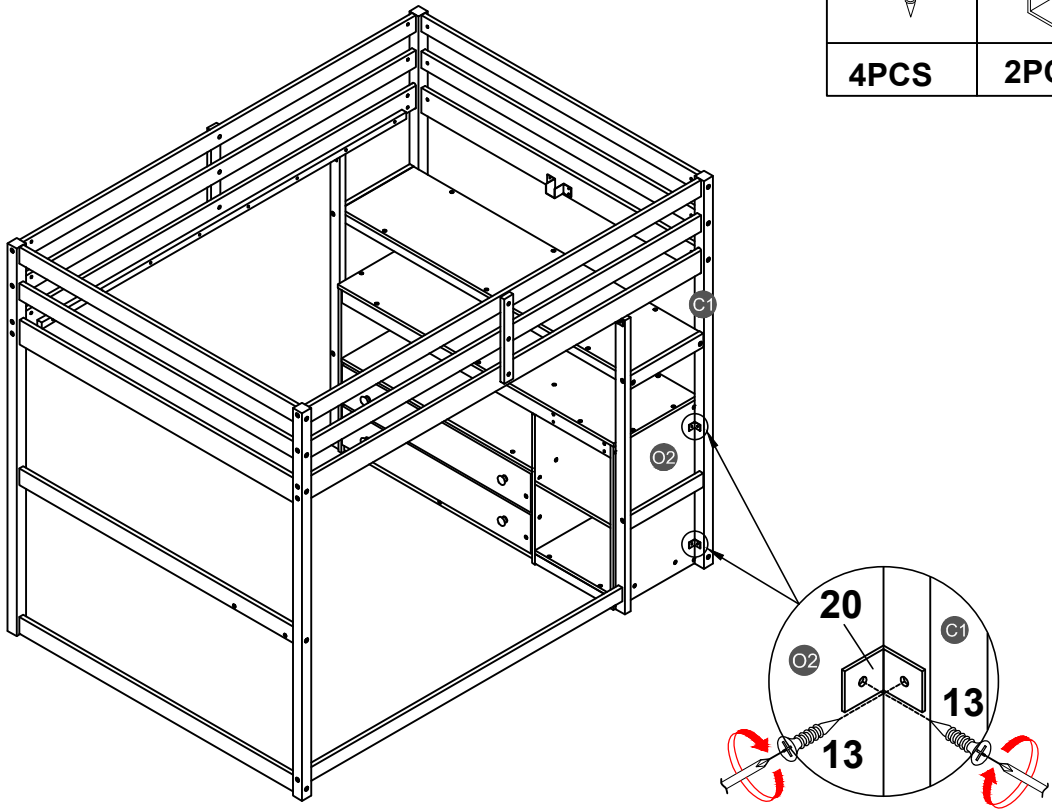
STEP 23:

13		20	
4PCS		2PCS	






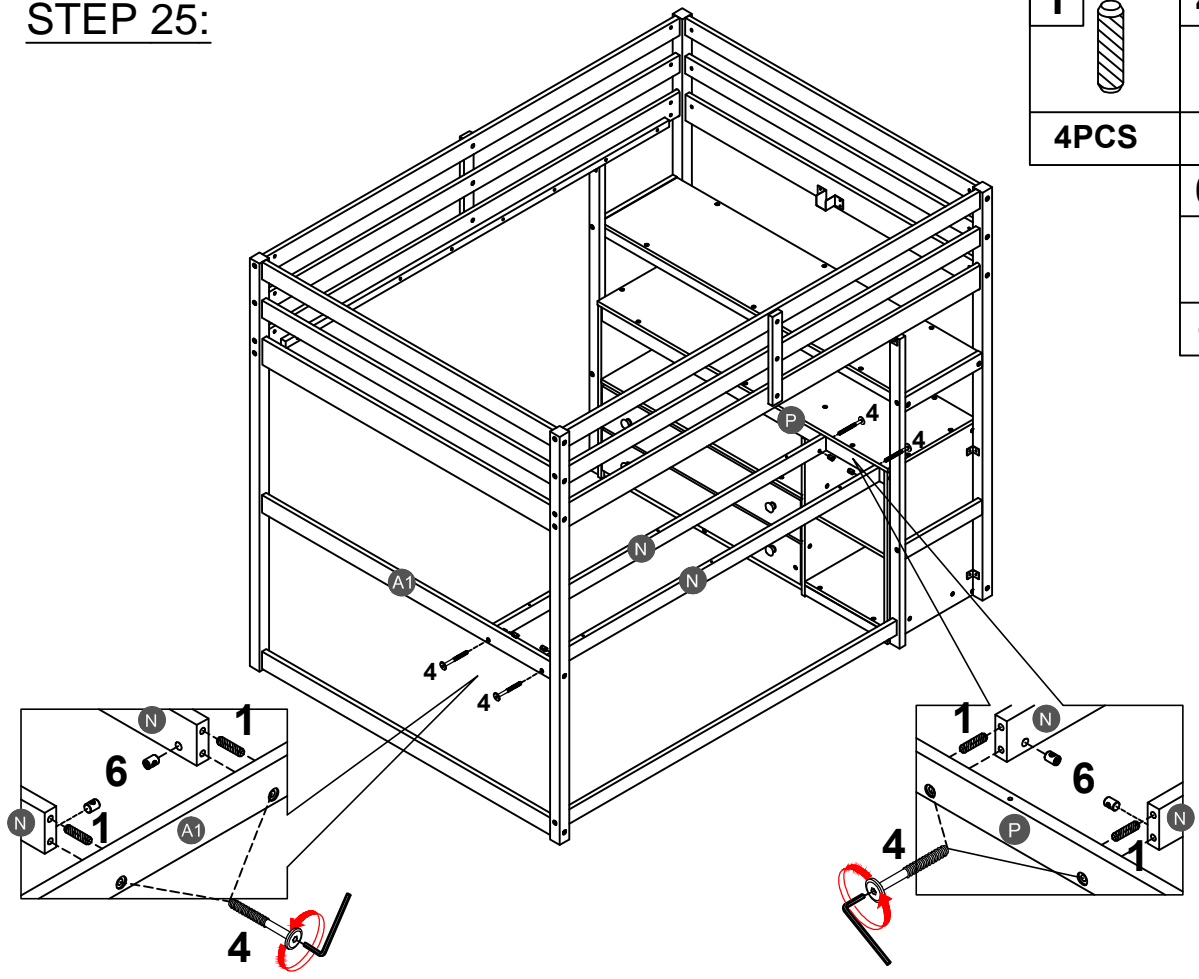
STEP 24:

13		20	
4PCS		2PCS	



STEP 25:

1		4	
4PCS		4PCS	
		6	
		4PCS	

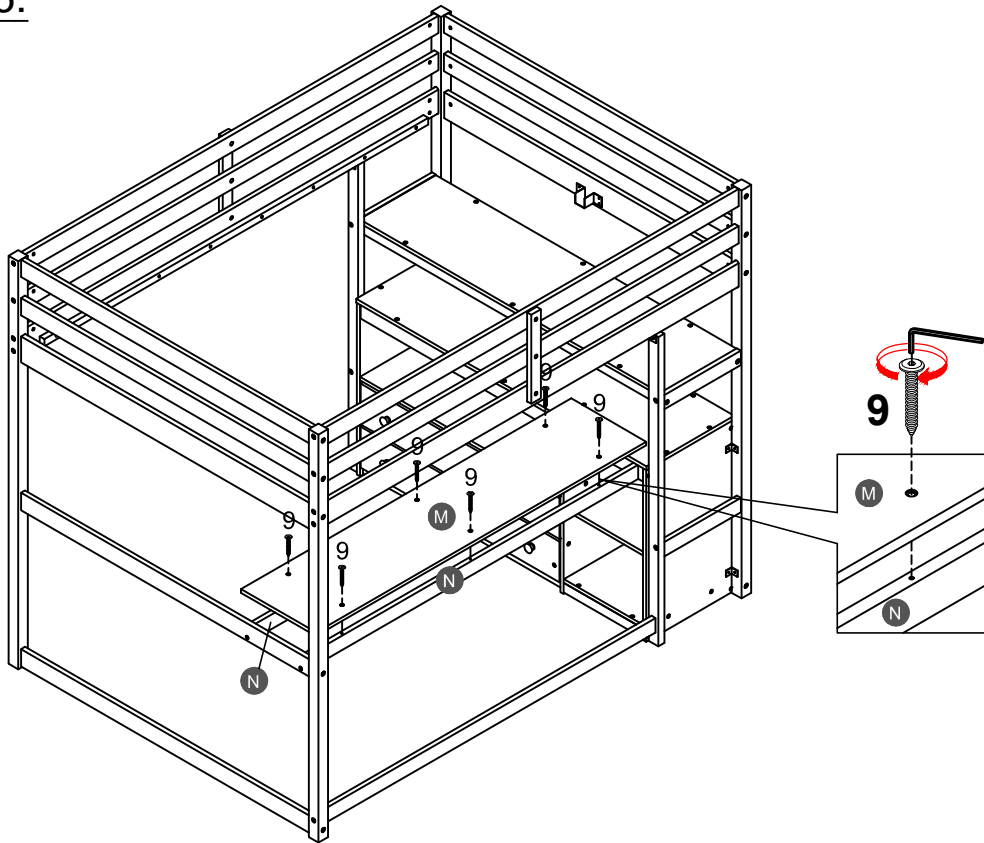


STEP 26:

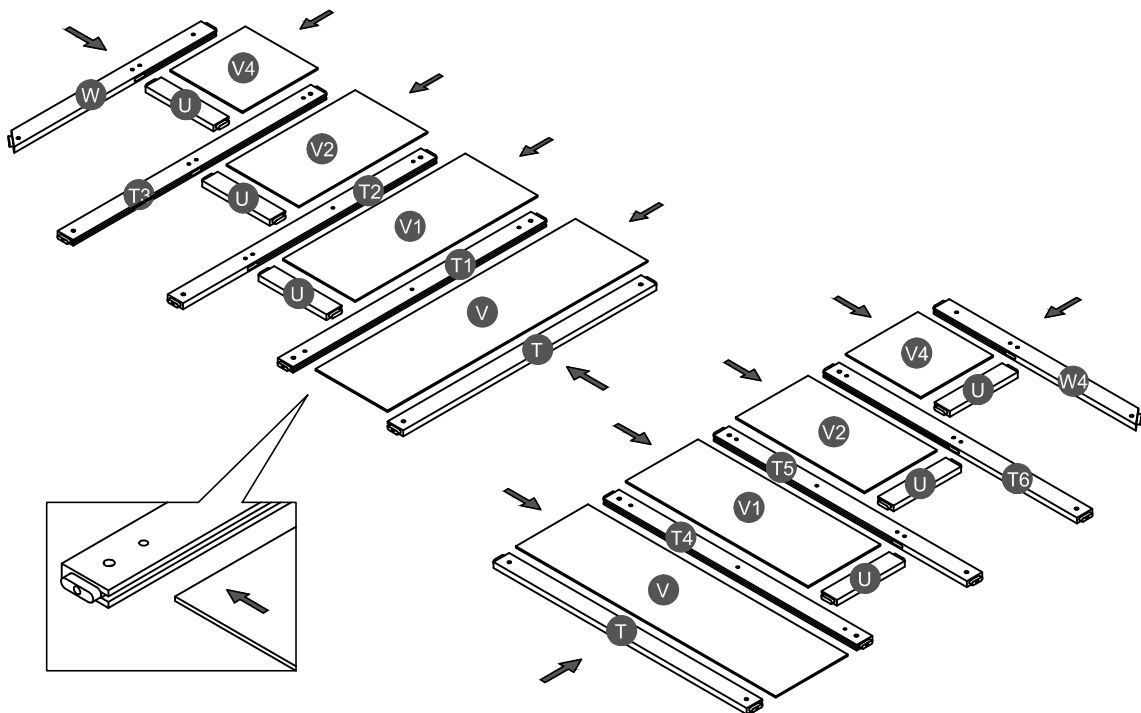
9







6PCS

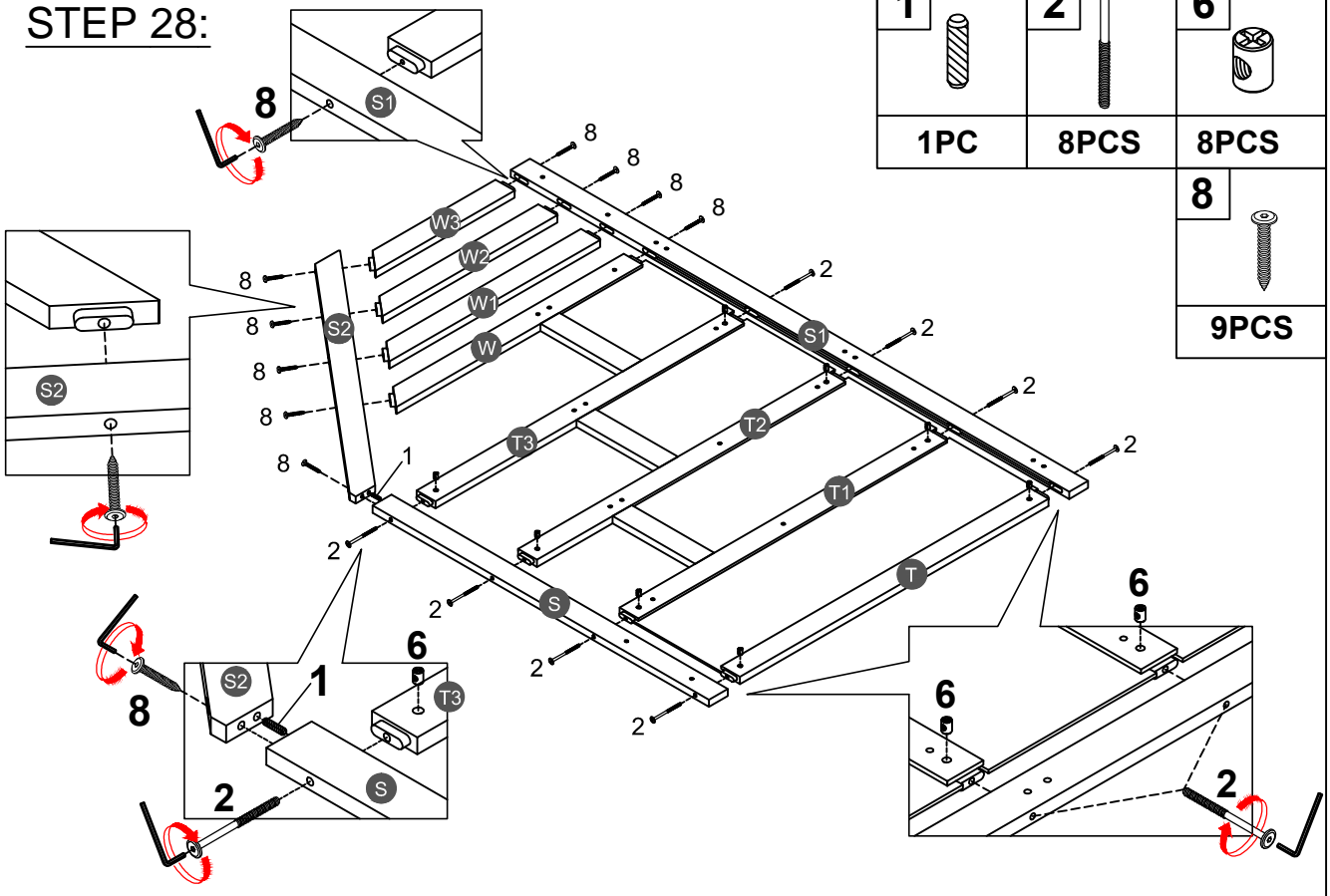


STEP 27:







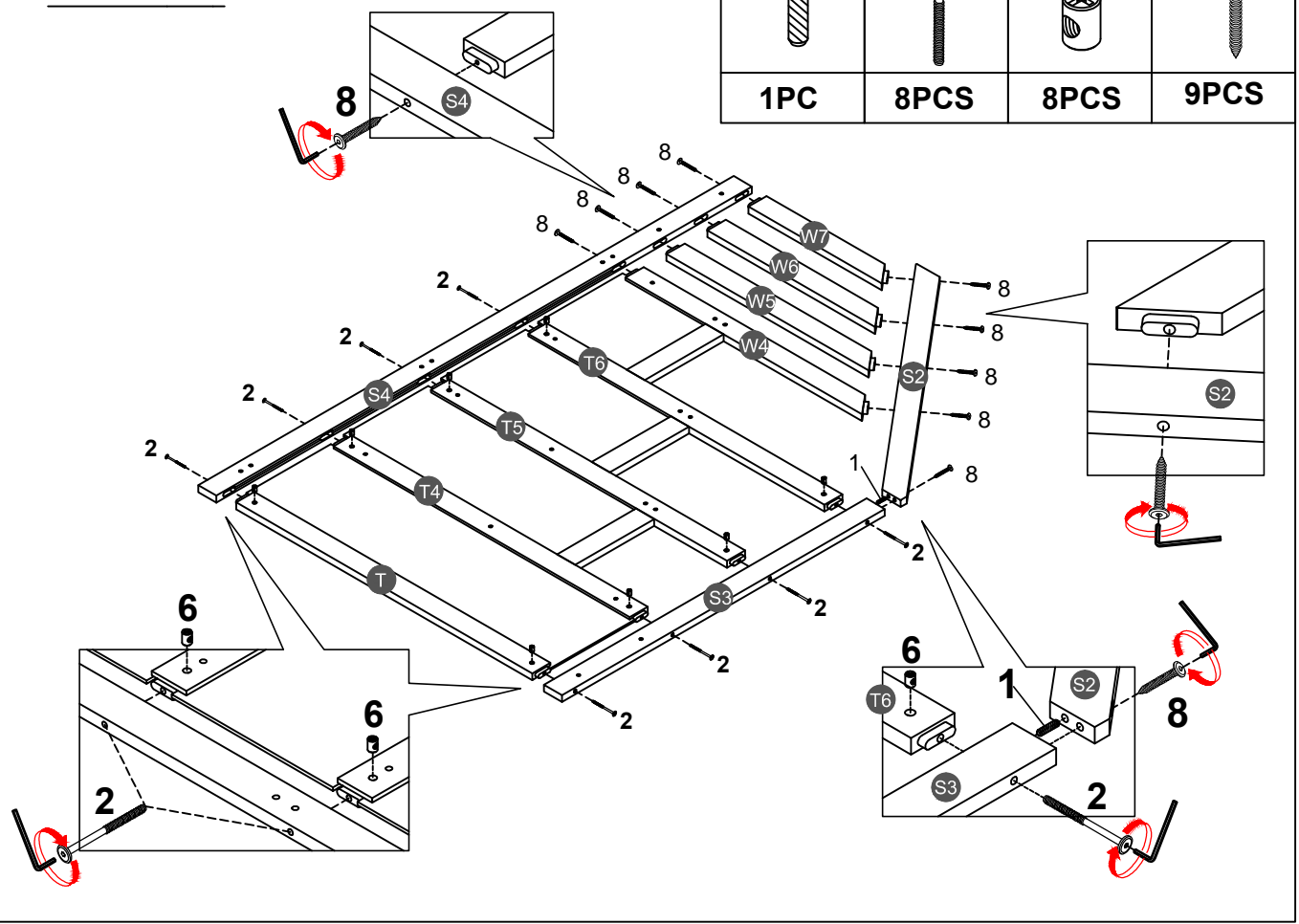
STEP 28:

1 	2 	6 
1PC	8PCS	8PCS
		8 
		9PCS

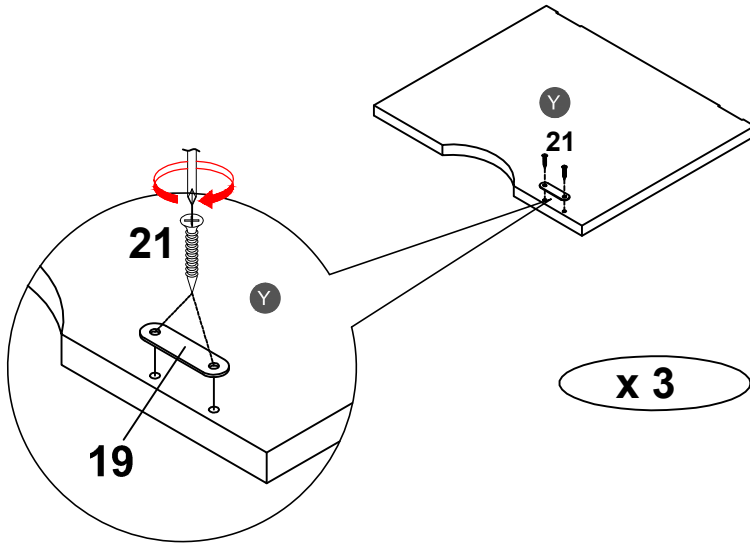




STEP 29:

1 	2 	6 	8 
1PC	8PCS	8PCS	9PCS

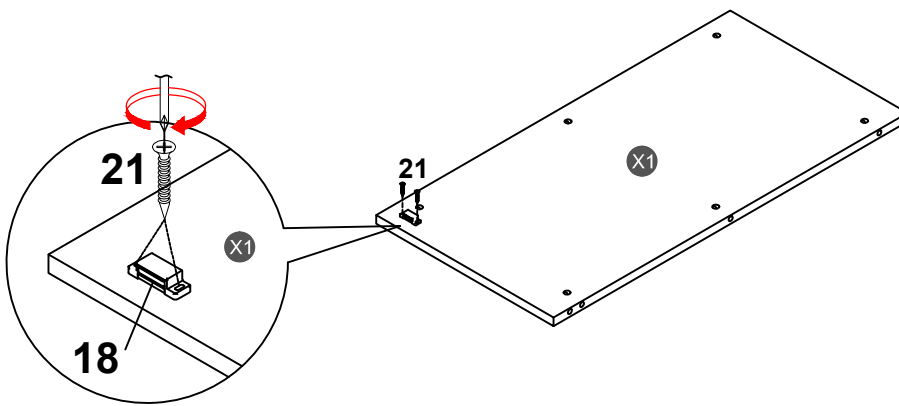


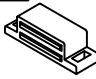

STEP 30:



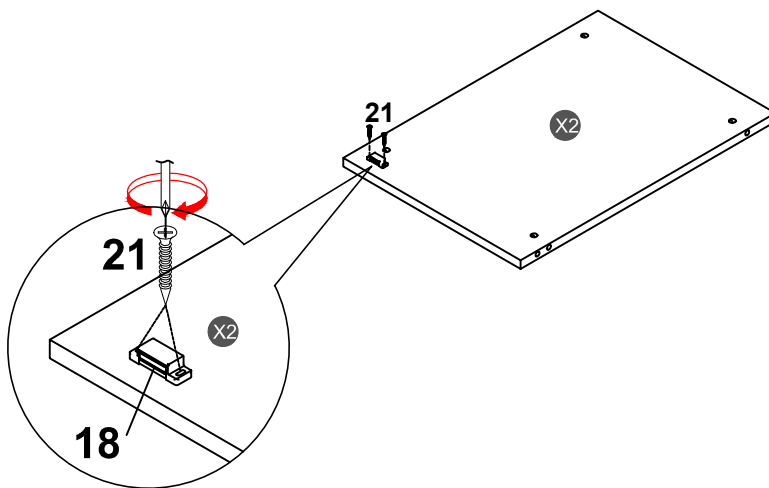
19 	21 
3PCS	6PCS

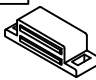

STEP 31:



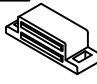

18 	21 
1PC	2PCS

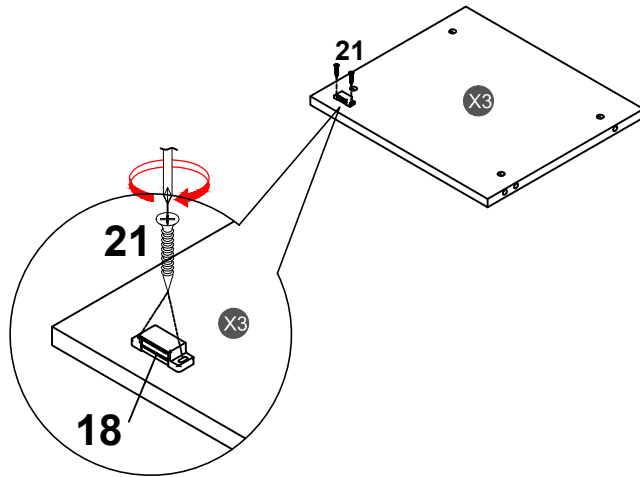
STEP 32:



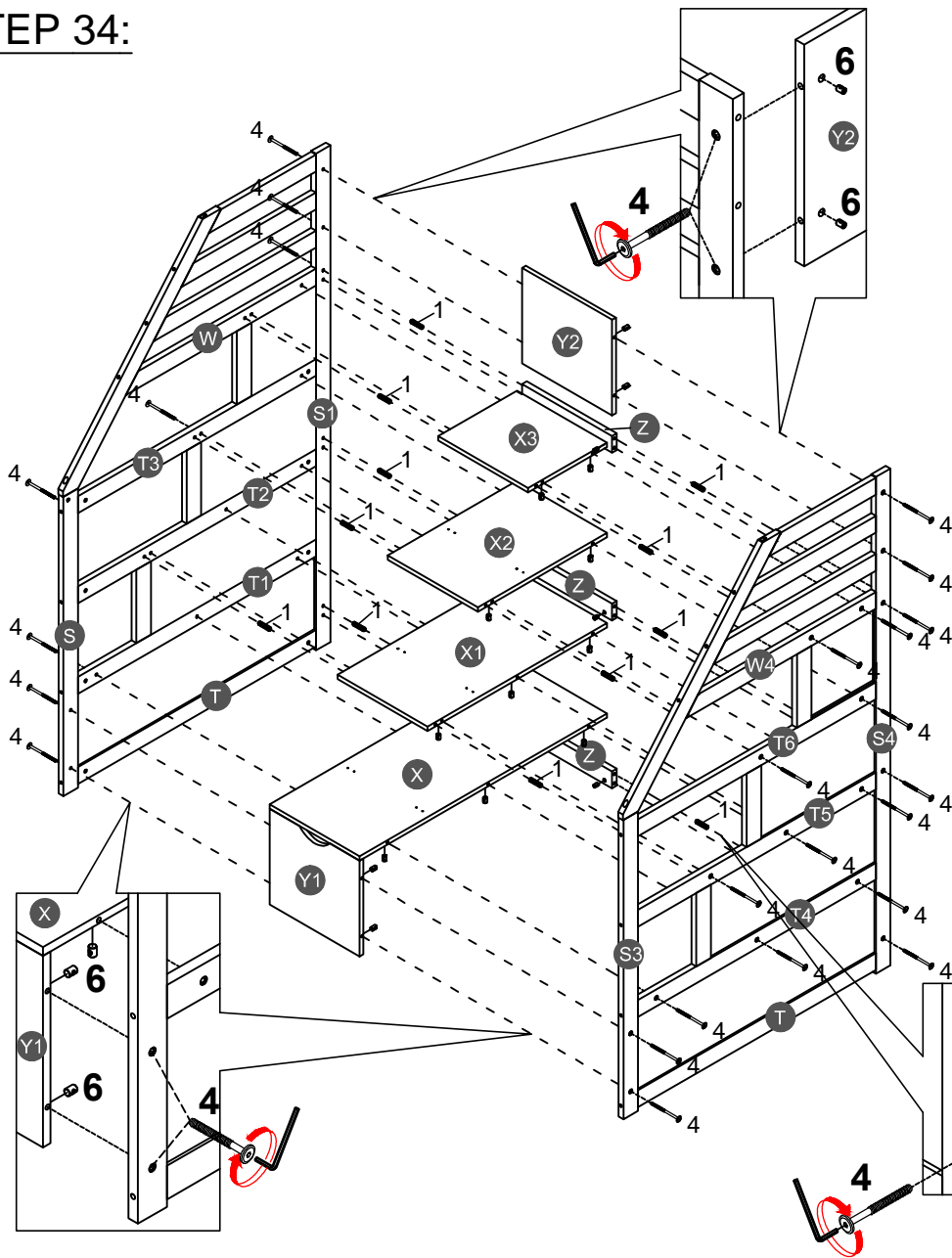
18 	21 
1PC	2PCS




STEP 33:

18 	21 
1PC	2PCS




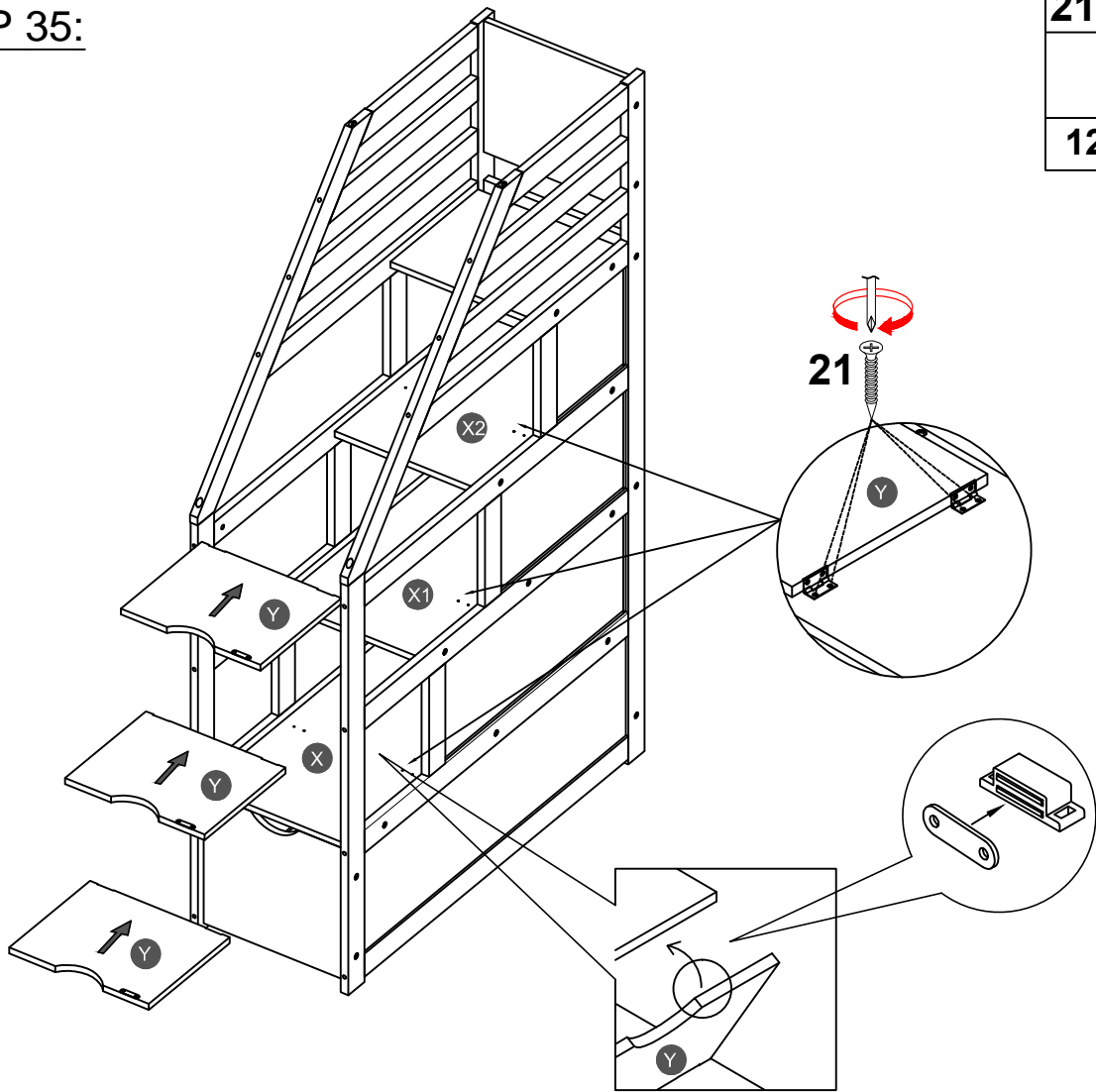
STEP 34:




1 	12PCS
4 	34PCS
6 	34PCS

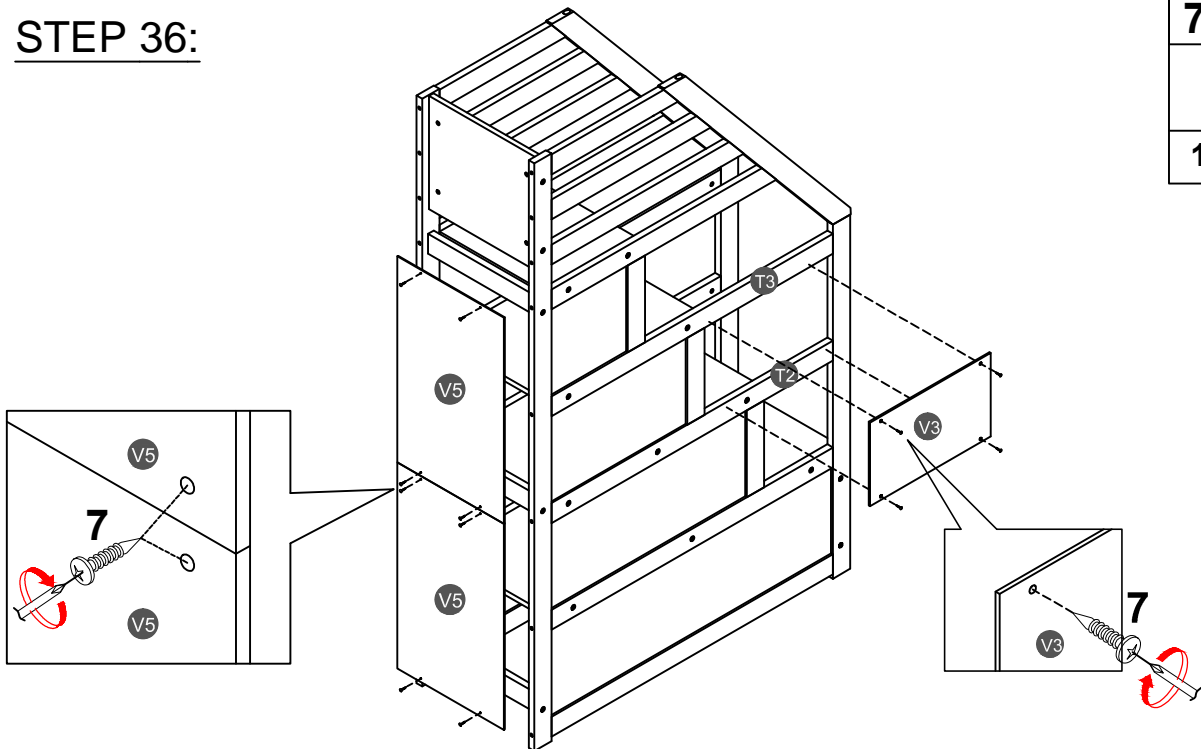
STEP 35:

21

12PCS

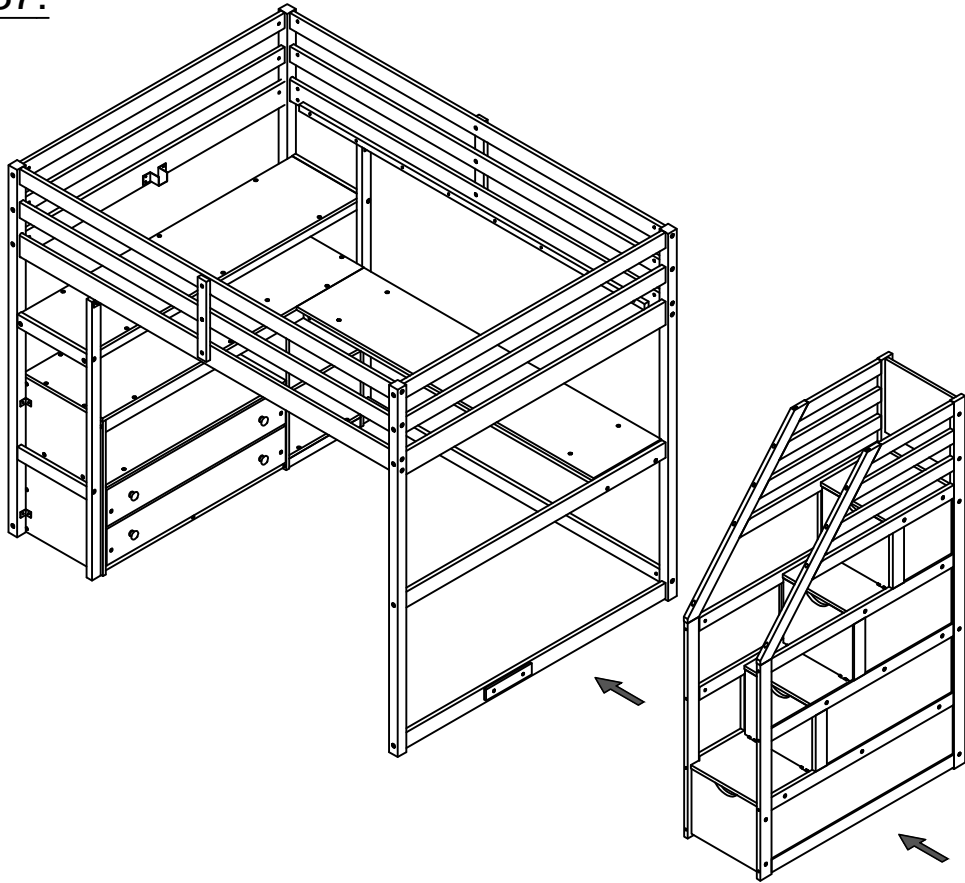


STEP 36:

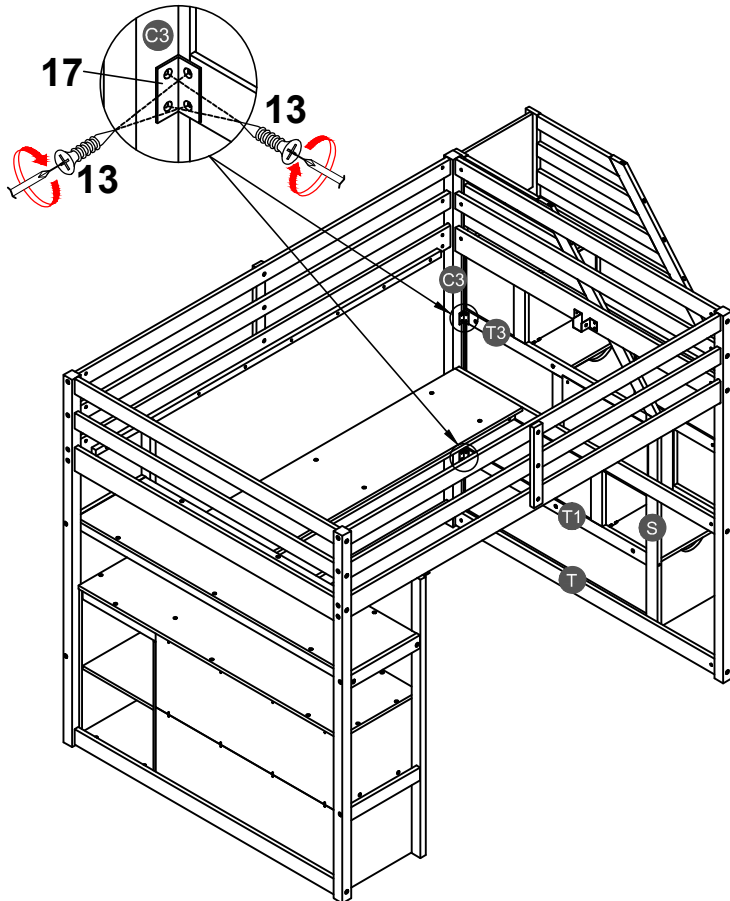
7

12PCS


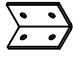


STEP 37:

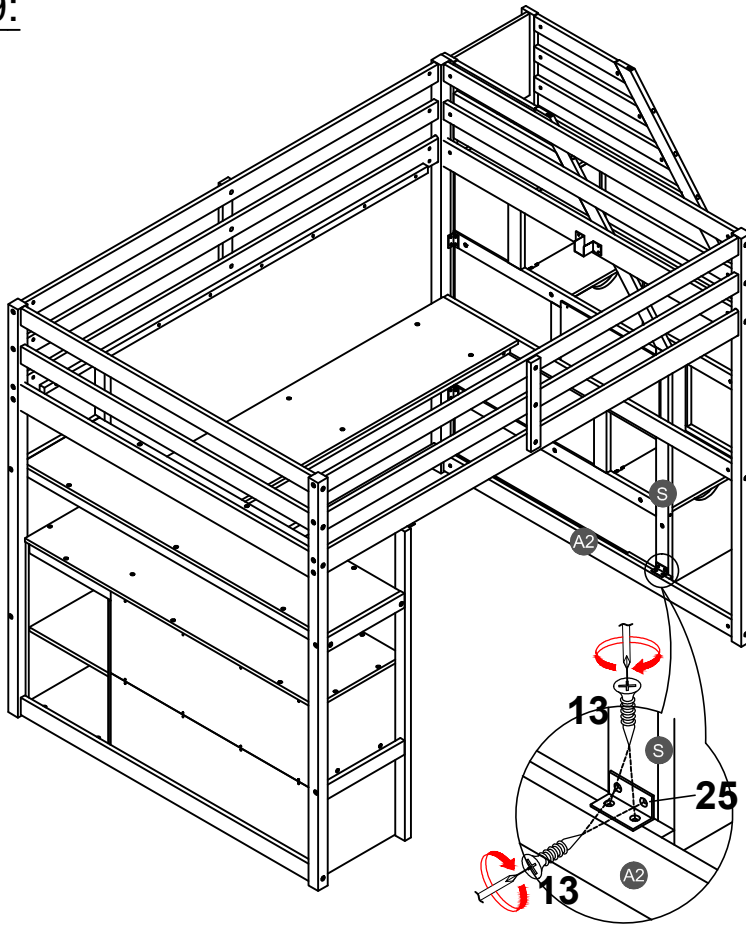




STEP 38:



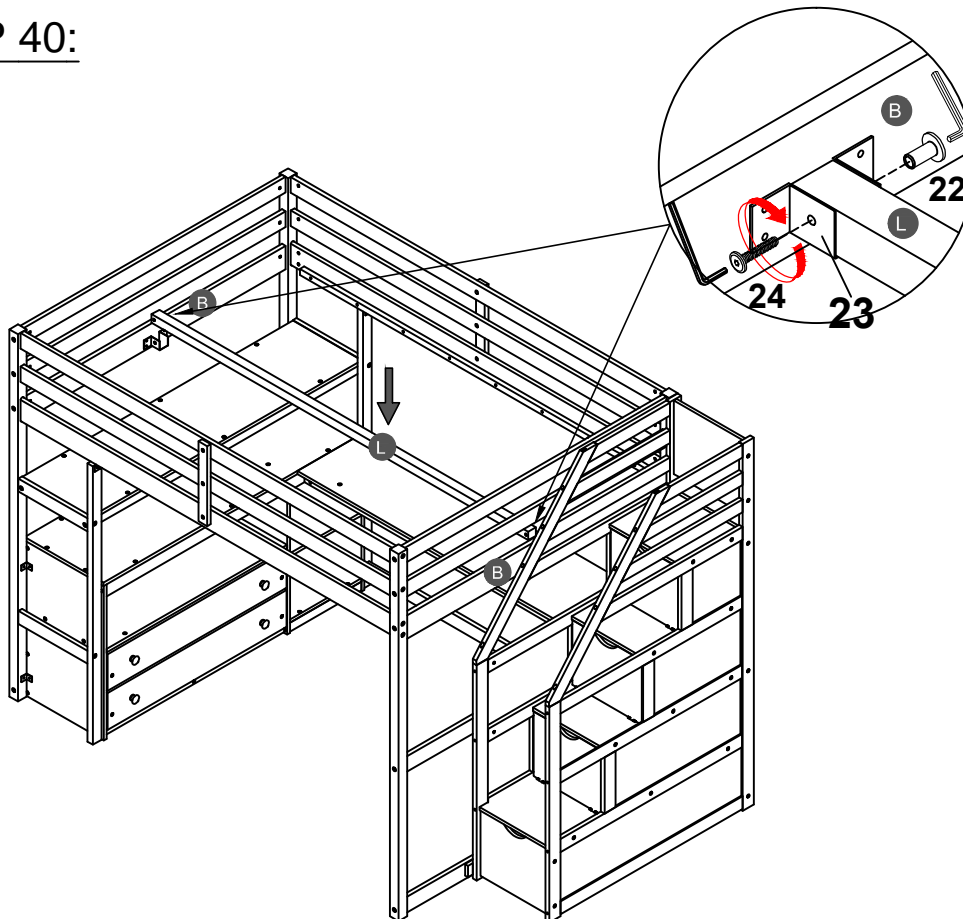
13 	17 
8PCS	2PCS

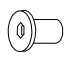
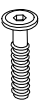
STEP 39:



13	25
	
4PCS	1PC

STEP 40:



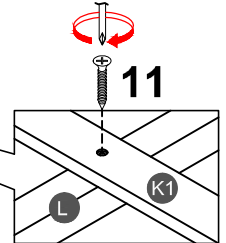
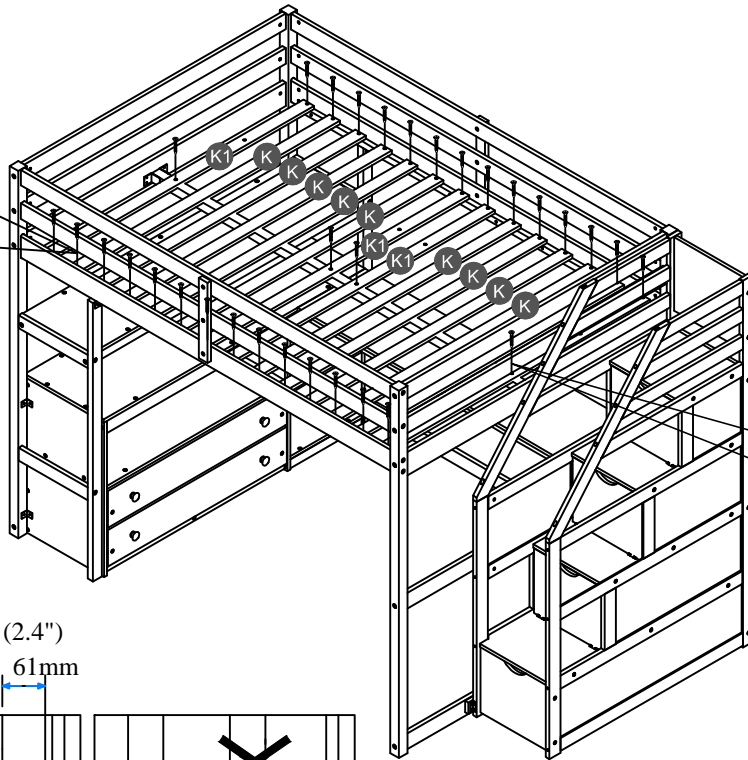
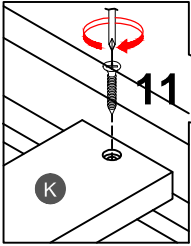
22

2PCS
24

2PCS

STEP 41:

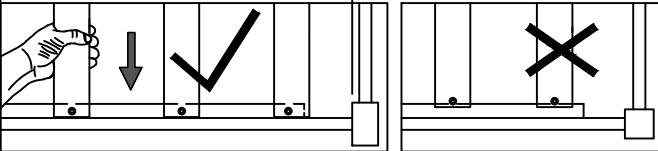
11



32PCS



(3.1") 79mm (3.3") 84.5mm (2.4") 61mm



Note: Do not lock the screws of the bed slats to the outermost edge of the bed slats, you need to leave a certain space at the edges, otherwise it will cause the board to break. Do not lock the bed slats on the edge of the wood, please hold firmly before screwing , hold it in place with one hand, then lock the screw.

