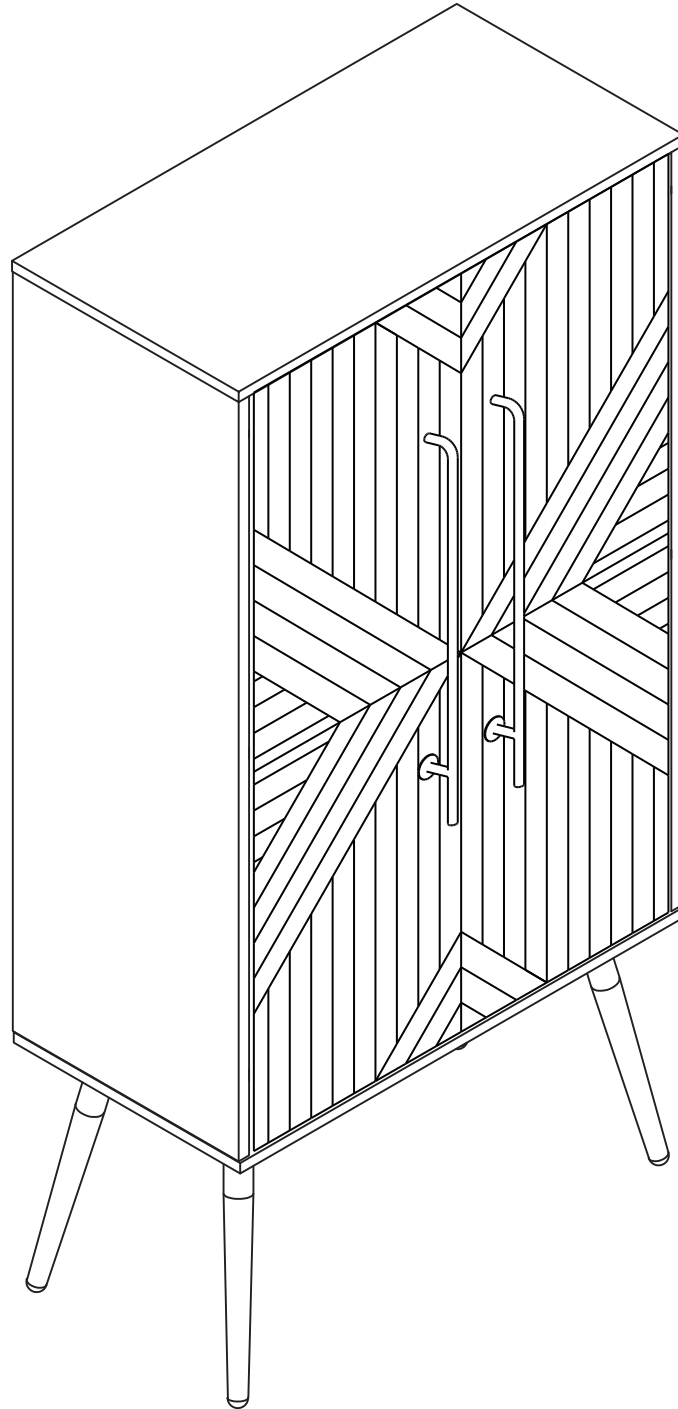


Assembly Instruction

Item Number:25PJ1053KD



More From Us



Website



Instagram

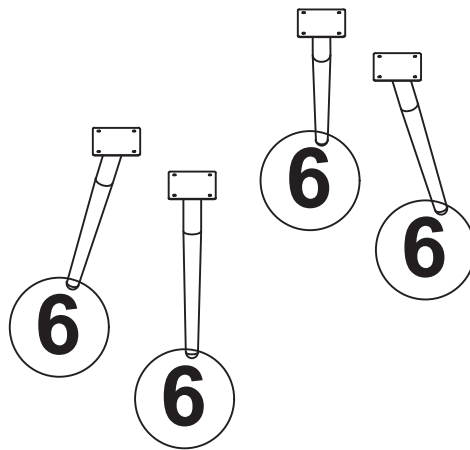
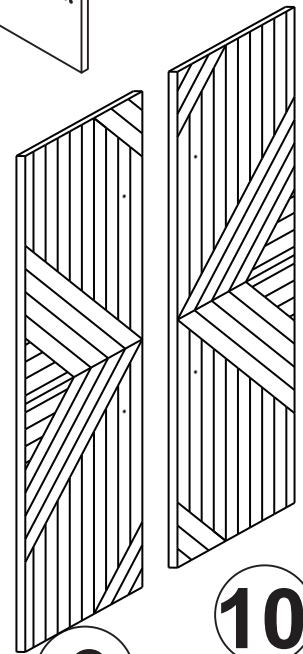
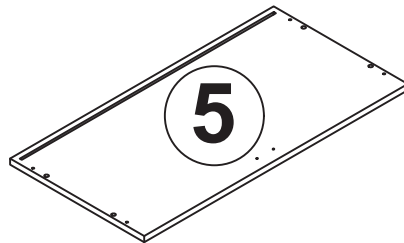
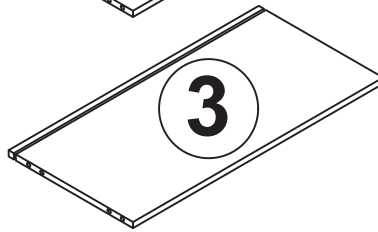
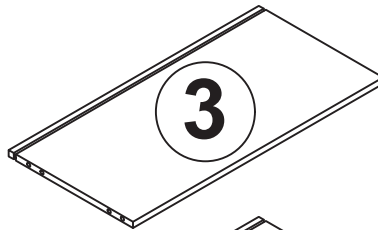
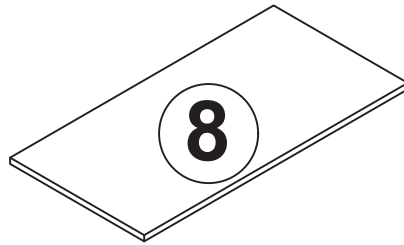
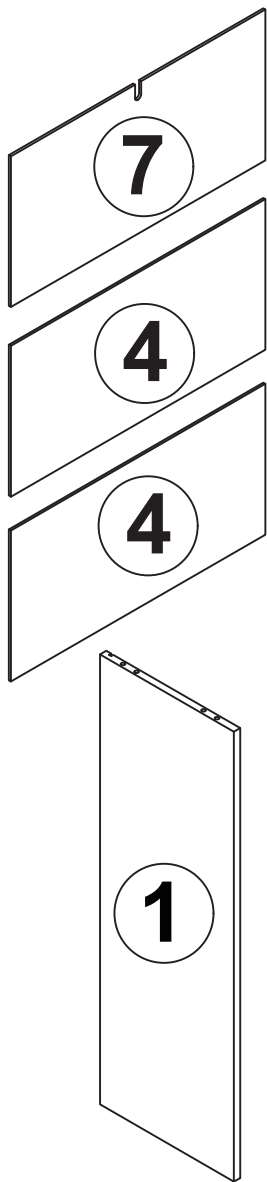
Need Help? Contact Us


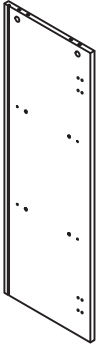
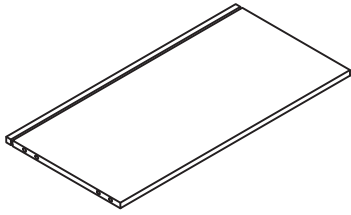
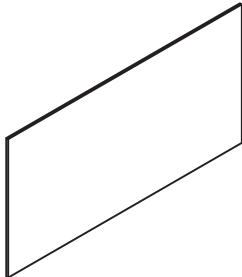
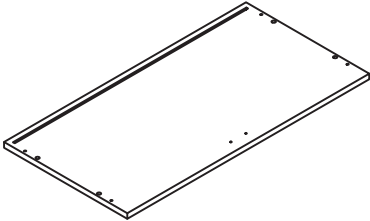

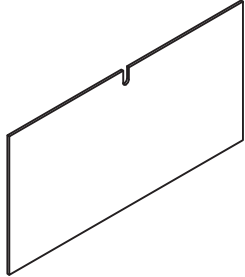
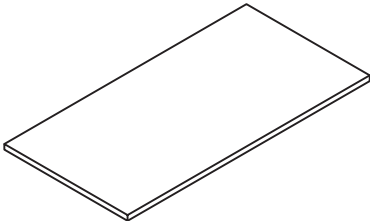
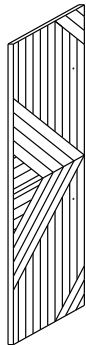

Email: support@pjcollection.store







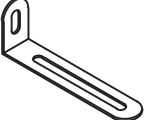



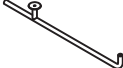



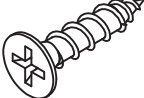
Website: www.pjcollection.store

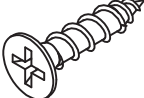
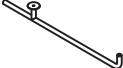
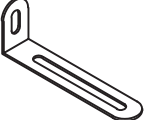
Assembly Video



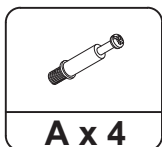
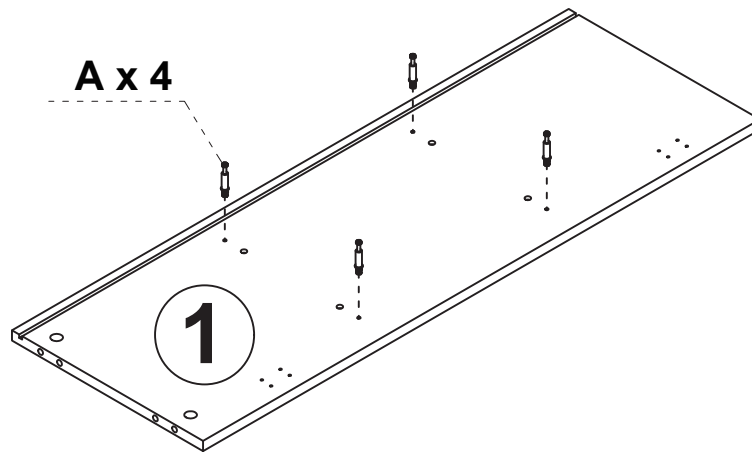


		
<p>① x 1</p>	<p>② x 1</p>	<p>③ x 2</p>
		
<p>④ x 2</p>	<p>⑤ x 1</p>	<p>⑥ x 4</p>
		
<p>⑦ x 1</p>	<p>⑧ x 1</p>	<p>⑨ x 1</p>
		
<p>⑩ x 1</p>		

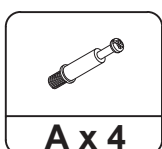
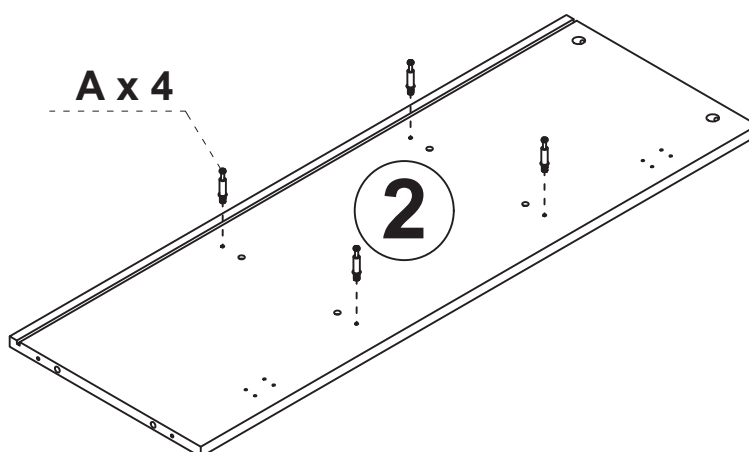
					
A x 12+1	B x 12+1	C x 20+2	D x 17+2	E x 4	F x 20+2
					
G x 1	H x 4	I x 12+1	J x 1	K x 2	L x 1
					
M x 5+1	N x 4	O x 24+2			



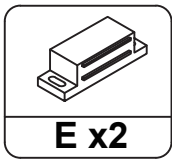
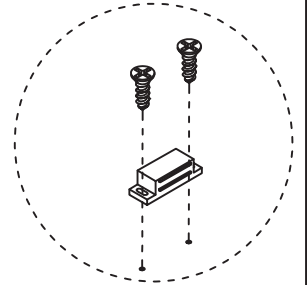
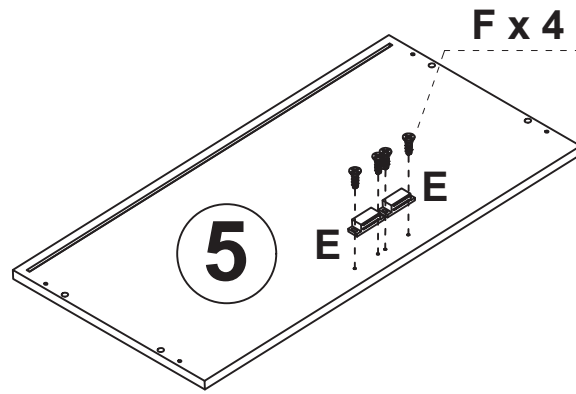
Step 1



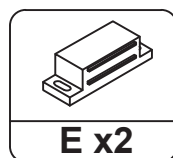
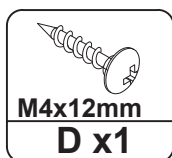
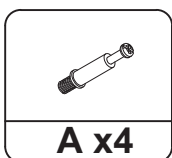
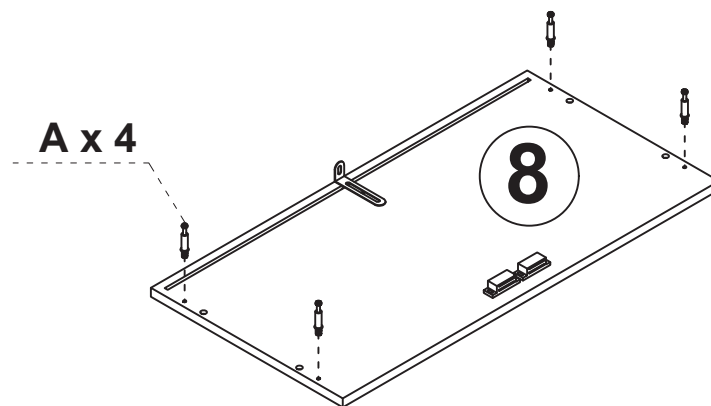
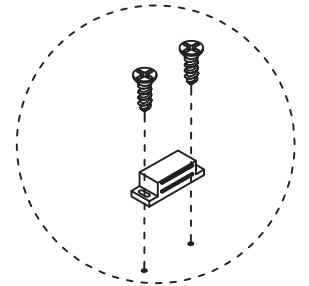
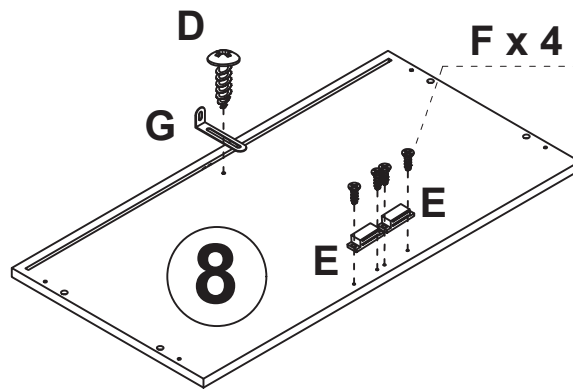
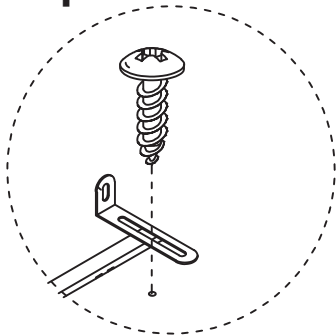
Step 2



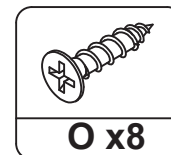
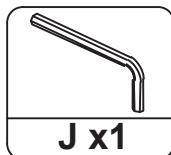
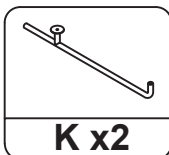
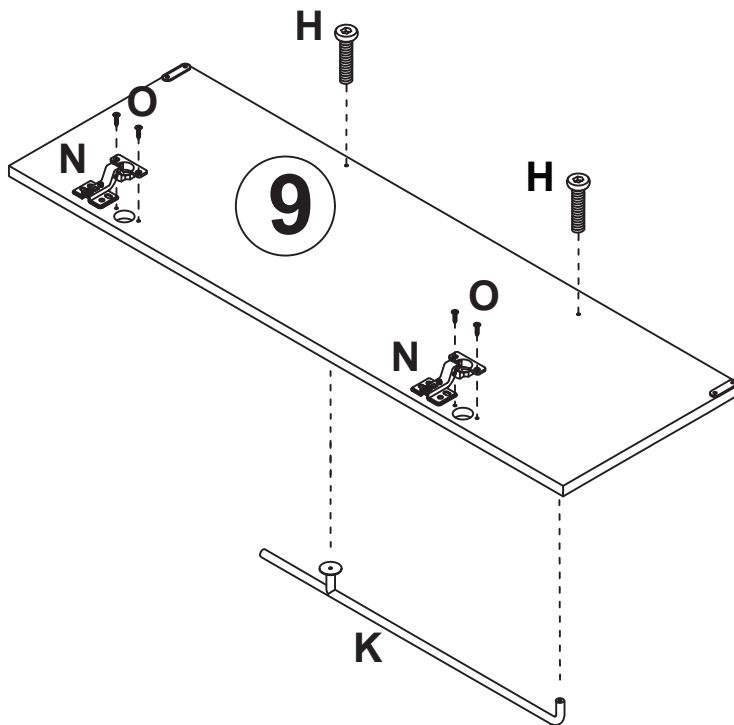
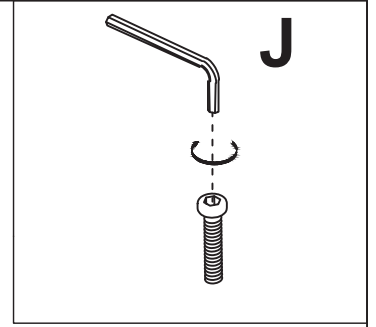
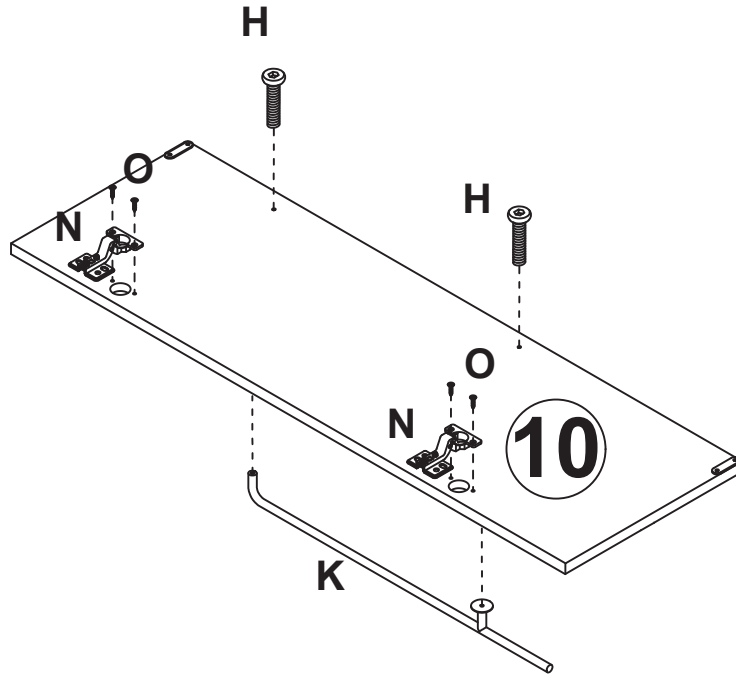
Step 3



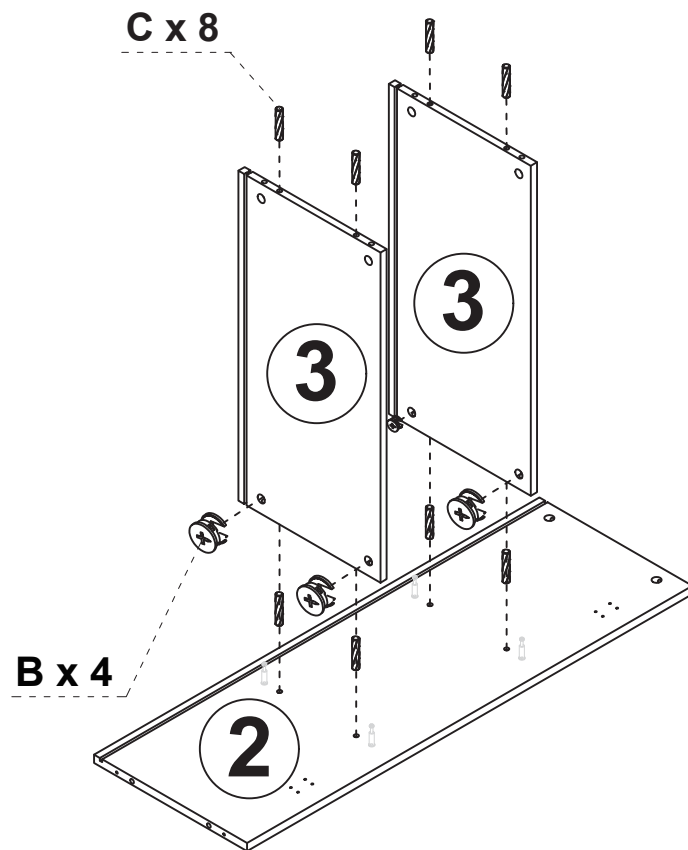
Step 4



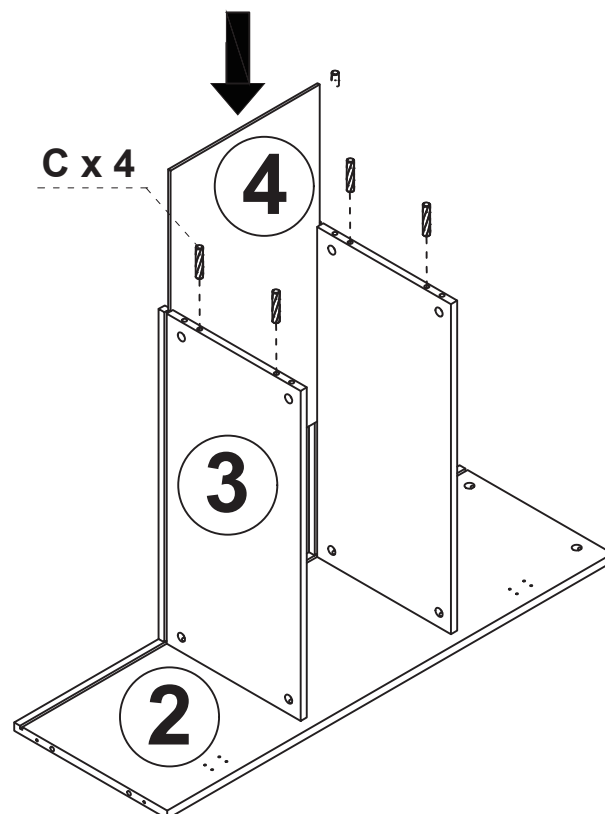
Step 5



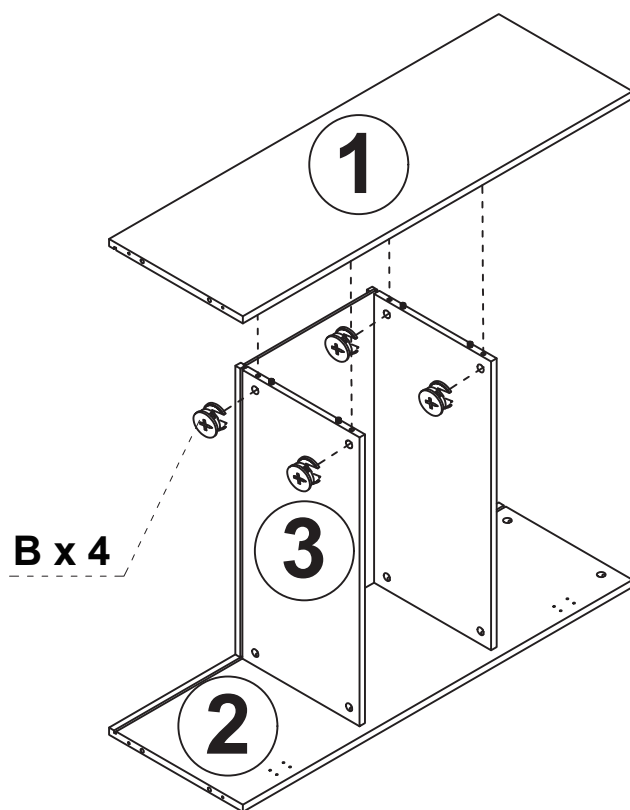
Step 6



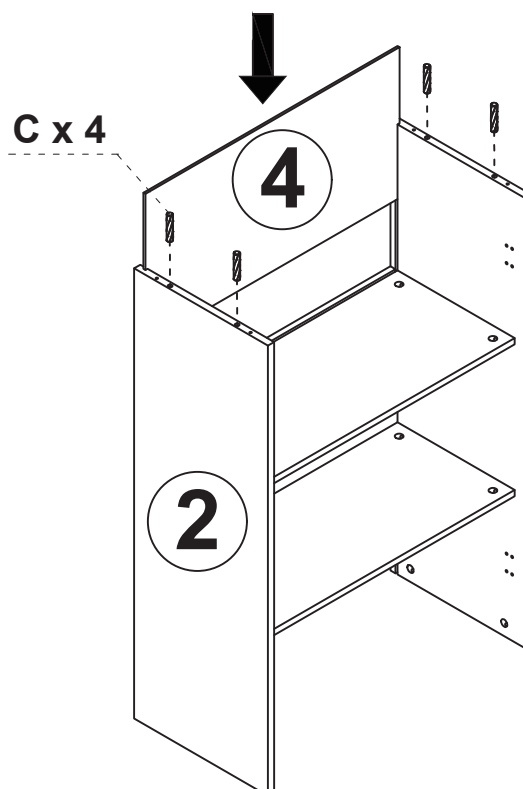
Step 7



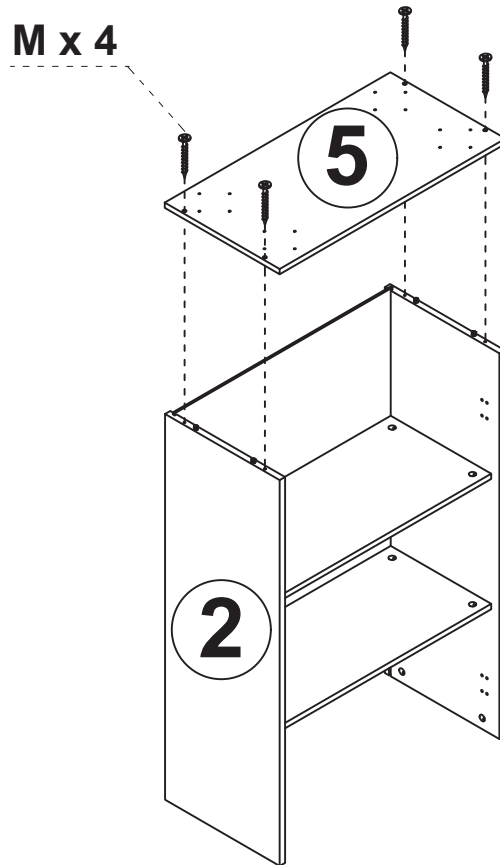
Step 8



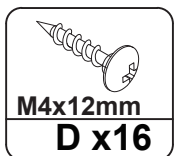
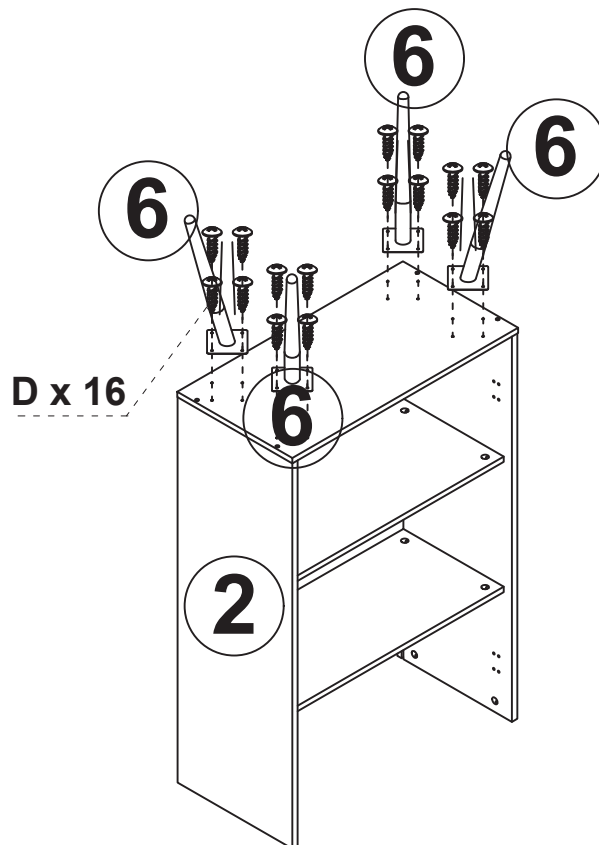
Step 9



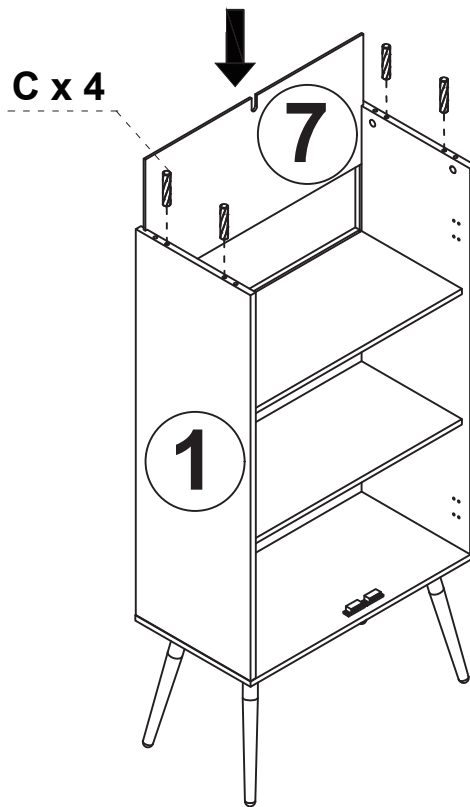
Step 10



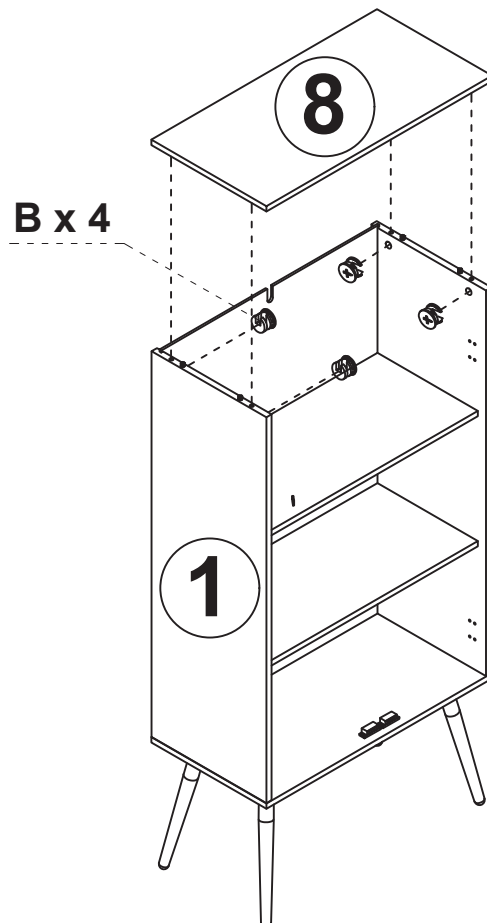
Step 11



Step 12

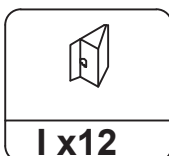
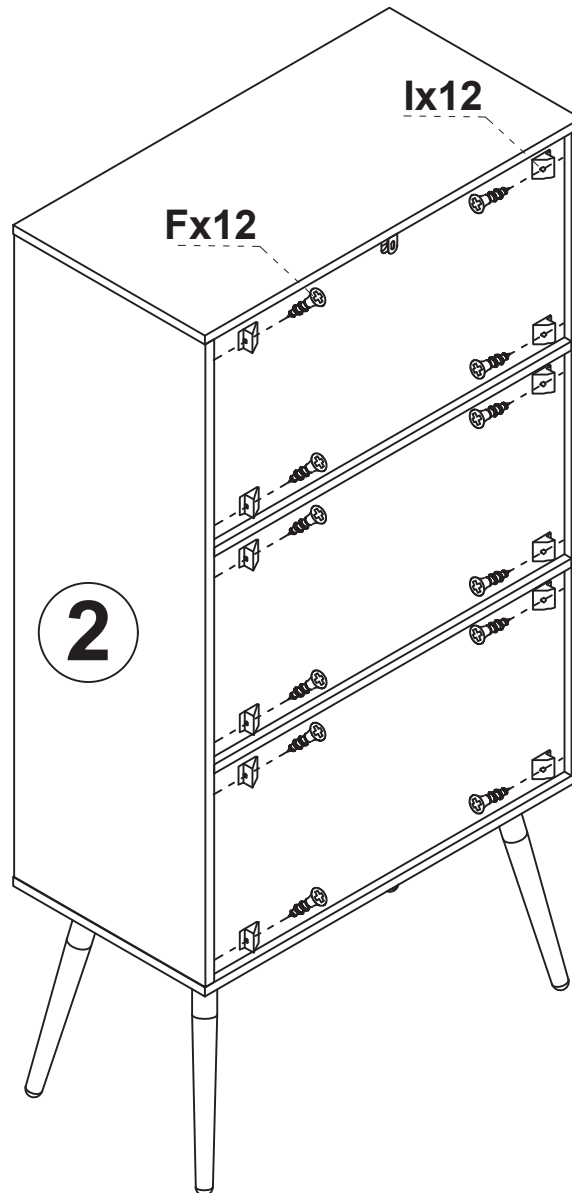


Step 13

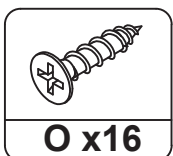
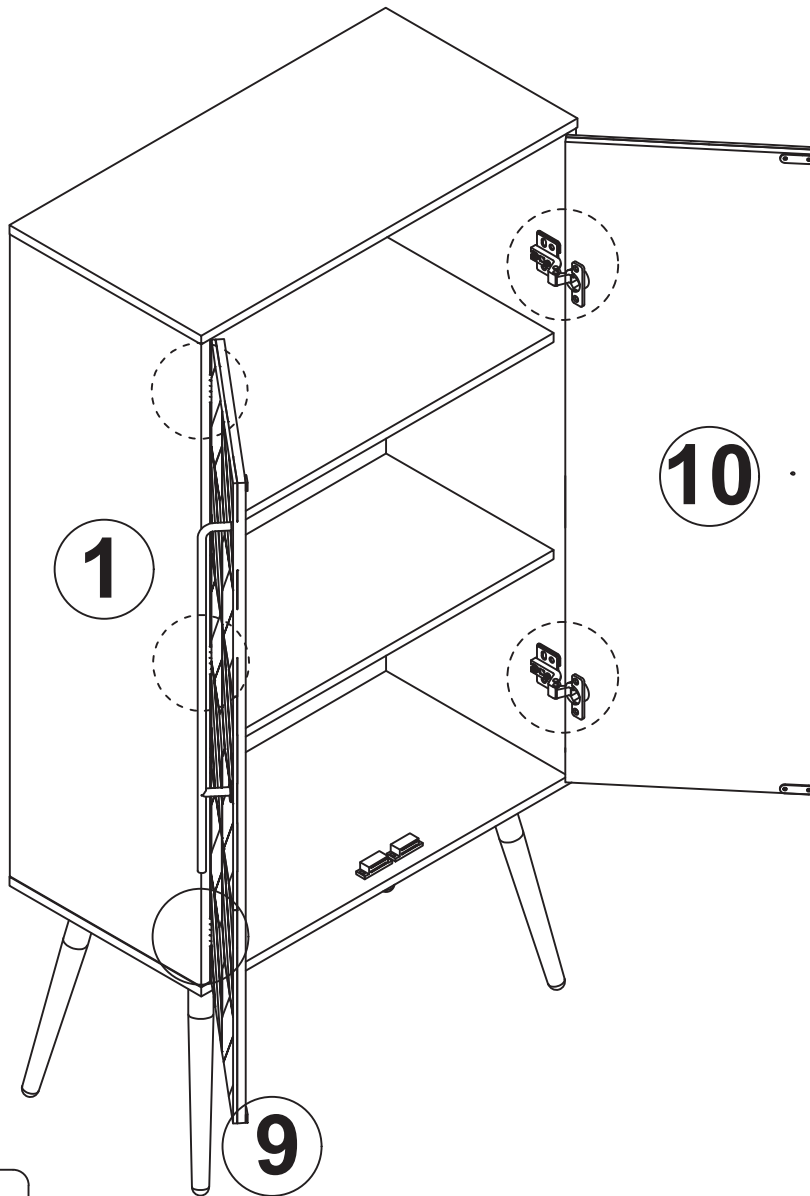
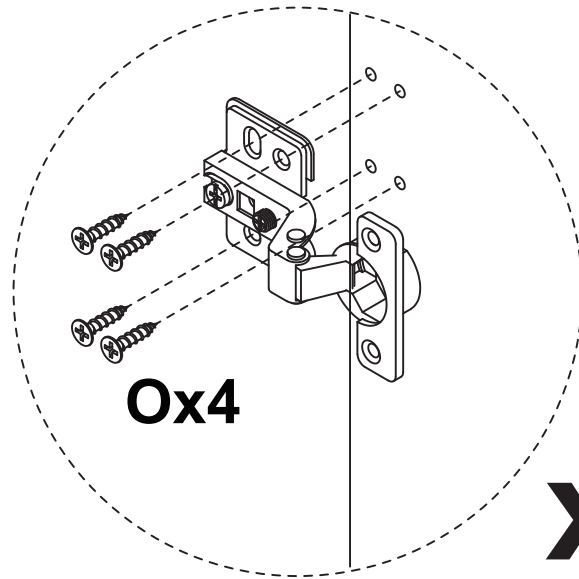


Step 14

Please insert the anchors at all corners at the back to prevent the cabinet from being wobbly and loose.

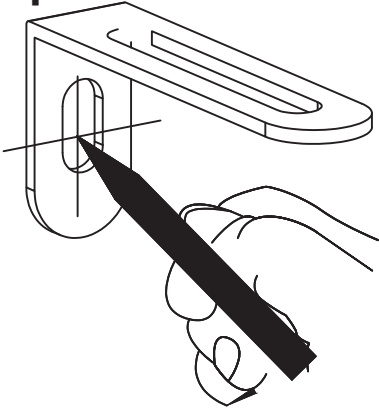


Step 15

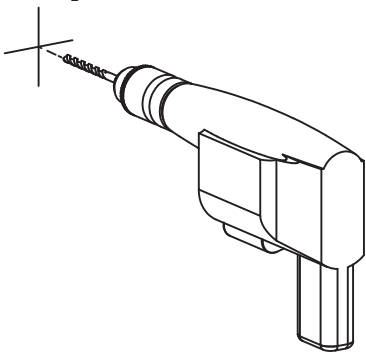


Step 16

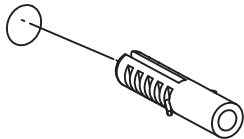
step 1



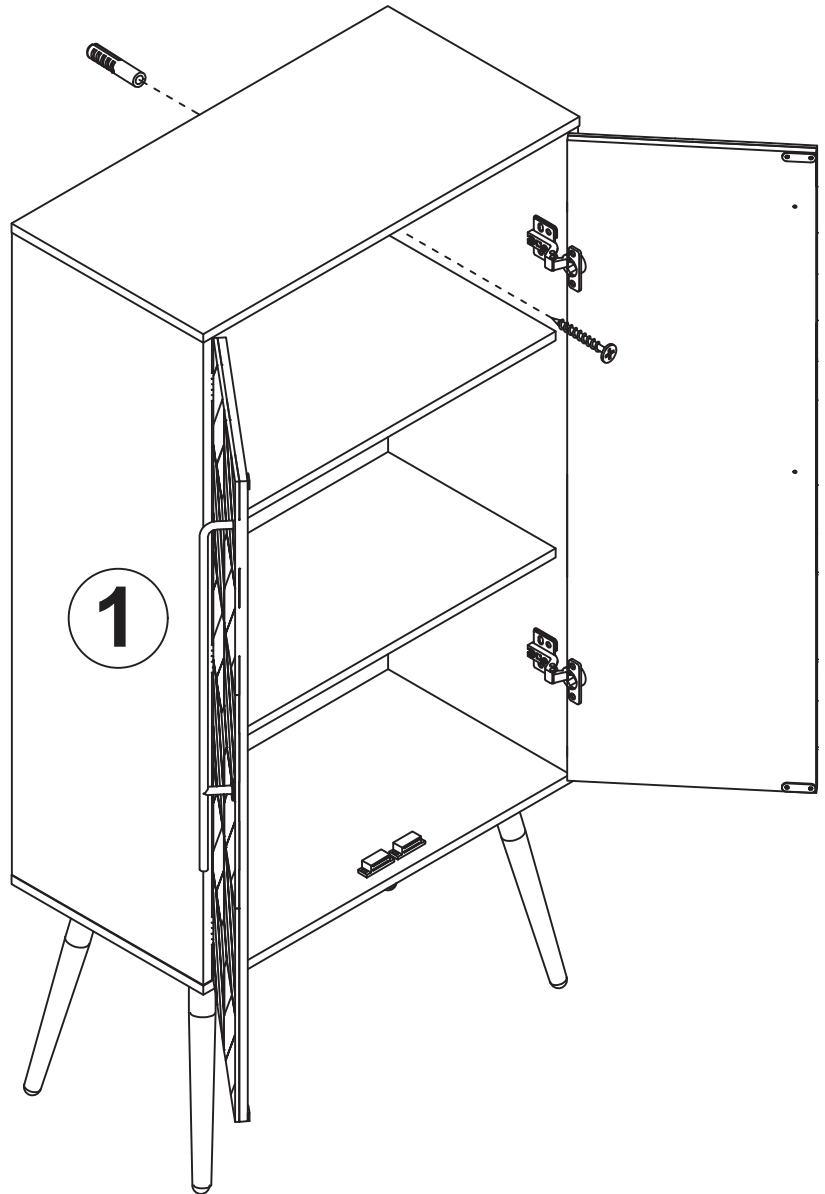
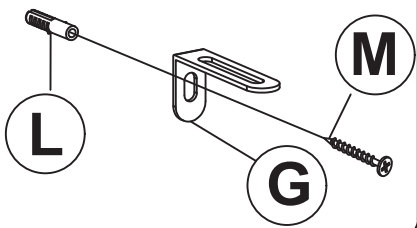
step 2



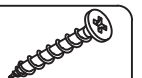
step 3



step 4



L x1



M4x40mm

M x1

Step 17

