

Ceiling Fan Installation Manual



Limited Lifetime Warranty

Our fan motors are warranted to the original purchaser to be free of electrical and/or mechanical defects for so long as the original purchaser owns the fan. Pull chain switches, reverse switches, capacitors and metal finishes are warranted to be free from defects in materials or workmanship for a period of 1 year from the date of purchase. Warping of wooden or plastic blades is not covered by this warranty nor is corrosion and/or deterioration of any finishes for fans installed within ten miles of any sea coast. Extended warranties for ENERGY STAR® qualified products may apply.

Our ceiling fans with built-in LED light sources, when properly installed and under normal conditions of use, are warranted to be free from defects in material and workmanship which cause the light sources to fail to operate in accordance with the specifications for (i) five (5) years from the date of purchase on the LED Light modules and electrical components for fans used in single family residences, and (ii) three (3) years from the date of purchase on the LED Light modules and electrical components for fans used in multi-family or commercial applications. LED bulbs supplied by us carry no warranty other than manufacturer's warranty. Non-LED bulbs carry no warranty.

With proof of purchase, the original purchaser may return the defective fan to the place of purchase during the first 30 days for replacement.

Date Purchased _____

Store Purchased _____

Model No. _____

Serial No. _____

Safety Rules.....	1.
Unpacking Your Fan	2.
Installing Your Fan	3.
Installing the Light Kit.....	8.
Operating Your Transmitter	9.
Care of Your Fan	10.
Troubleshooting	11.
Specifications	12.

Table of Contents

1. To reduce the risk of electric shock, insure electricity has been turned off at the circuit breaker or fuse box before beginning.
2. All wiring must be in accordance with the National Electrical Code and local electrical codes. Electrical installation should be performed by a qualified licensed electrician.
3. **WARNING:** To reduce the risk of electrical shock and fire, do not use this fan with any solid-state fan speed control device.
4. **WARNING:** To reduce the risk of fire, electric shock, or personal injury, mount to outlet box marked "Acceptable for Fan Support of 15.9 kg (35 lbs.) Or Less" and use mounting screws provided with the outlet box. Most outlet boxes commonly used for the support of light fixtures are not acceptable for fan support and may need to be replaced. Due to the complexity of the installation of this fan, a qualified licensed electrician is strongly recommended.

WARNING

TO REDUCE THE RISK OF FIRE, ELECTRIC SHOCK OR PERSONAL INJURY, MOUNT FAN TO OUTLET BOX MARKED ACCEPTABLE FOR FAN SUPPORT.

5. The outlet box and support structure must be securely mounted and capable of reliably supporting a minimum of 35 lbs (15.9 kg) or less. Use only UL-listed outlet boxes marked **FOR FAN SUPPORT**.
6. The fan must be mounted with a minimum of 7 ft (2.1m) clearance from the trailing edge of the blades to the floor.
7. Avoid placing objects in the path of the blades.
8. To avoid personal injury or damage to the fan and other items, be cautious when working around or cleaning the fan.

9. Do not use water or detergents when cleaning the fan or fan blades. A dry dust cloth or lightly dampened cloth will be suitable for most cleaning.
10. After making electrical connections, spliced conductors should be turned upward and pushed carefully up into the outlet box. The wires should be spread apart with the grounded conductor and the equipment-grounding conductor on one side of the outlet box.
11. Electrical diagrams are for reference only. Light kits that are not packed with the fan must be UL Listed and marked suitable for use with the model fan you are installing. Switches must be UL General Use Switches. Refer to the Instructions packaged with the light kits

WARNING

TO REDUCE THE RISK OF PERSONAL INJURY, DO NOT BEND THE BLADE ARMS (ALSO REFERRED TO AS BRACKETS) DURING ASSEMBLY OR AFTER INSTALLATION. DO NOT INSERT OBJECTS IN THE PATH OF THE BLADES.

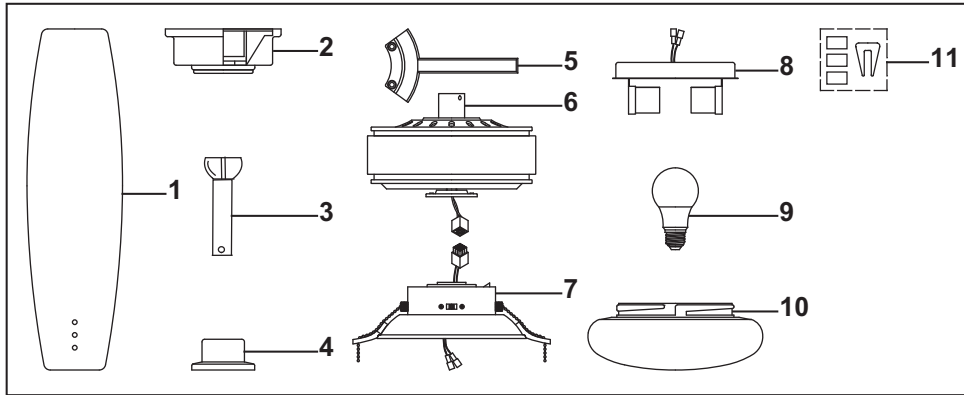
WARNING

THIS PRODUCT CONTAINS CHEMICALS KNOWN TO THE STATE OF CALIFORNIA TO CAUSE CANCER, BIRTH DEFECTS AND /OR OTHER REPRODUCTIVE HARM. THOROUGHLY WASH HANDS AFTER INSTALLING, HANDLING, CLEANING, OR OTHERWISE TOUCHING THIS PRODUCT.

NOTE

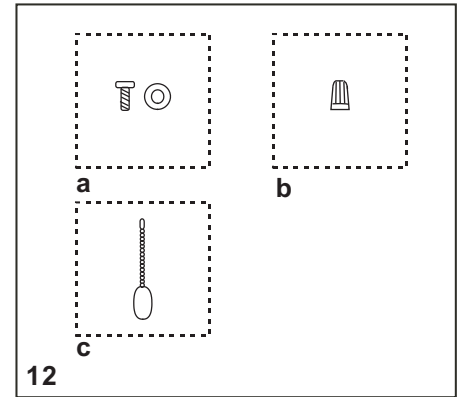
READ AND SAVE ALL INSTRUCTIONS!

1. Safety Rules



Unpack your fan and check the contents. You should have the following items:

- | | |
|------------------------------|---------------------------------|
| 1. Fan blades (5) | 7. Switch housing |
| 2. Canopy assembly | 8. light kit |
| 3. Ball/downrod assembly | 9. 10 Watt LED medium base bulb |
| 4. Coupling cover | 10. Glass shade |
| 5. Set of blades bracket (5) | 11. Balancing kit |
| 6. Fan motor assembly | |



12. Loose parts bag containing:

- a. Blade attachment hardware**
(16 screws, 16 fiber washers)
- b. Mounting hardware**
Wire nuts (3)
- c. Electrical hardware**
Pull chains (2)

Unpacking Your Fan 2.

Tools Required

Phillips screw driver, straight slot screw driver, adjustable wrench, step ladder, and wire cutters.

Mounting Options

If there isn't an existing UL listed mounting box, then read the following instructions. Disconnect the power by removing fuses or turning off circuit breakers.

Secure the outlet box directly to the building structure. Use appropriate fasteners and building materials. The outlet box and its support must be able to fully support the moving weight of the fan (at least 35 lbs). Do not use plastic outlet boxes.

WARNING

TO REDUCE THE RISK OF FIRE, ELECTRIC SHOCK, OR OTHER PERSONAL INJURY, MOUNT FAN ONLY TO AN OUTLET BOX MARKED ACCEPTABLE FOR FAN SUPPORT AND USE THE MOUNTING SCREWS PROVIDED WITH THE OUTLET BOX. OUTLET BOXES COMMONLY USED FOR THE SUPPORT OF LIGHTING FIXTURES MAY NOT BE ACCEPTABLE FOR FAN SUPPORT AND MAY NEED TO BE REPLACED. CONSULT A QUALIFIED ELECTRICIAN IF IN DOUBT.

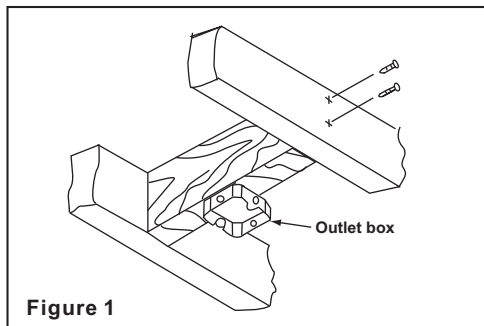


Figure 1

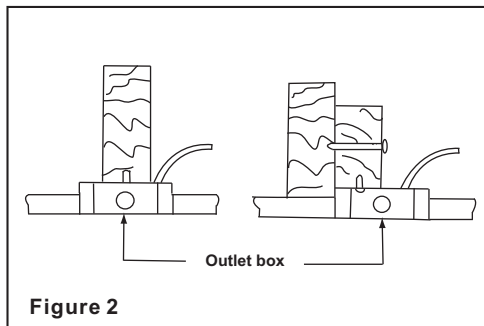


Figure 2

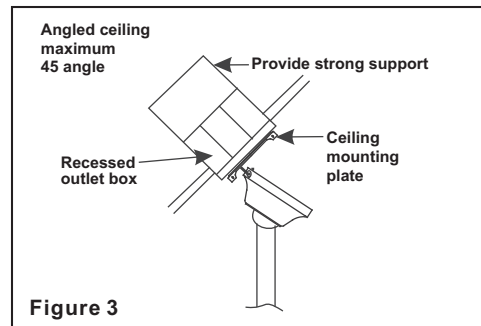


Figure 3

Note: You may need a longer downrod to maintain proper blade clearance when installing on a steep, sloped ceiling.

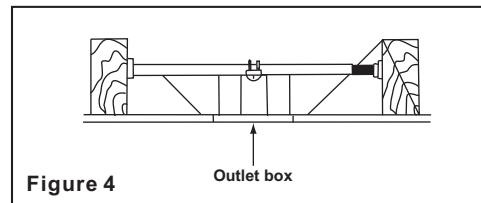


Figure 4

To hang your fan where there is an existing fixture but no ceiling joist, you may need an installation hanger bar as shown in Figure 4 (available at your Retailer).

3. Installing Your Fan

Hanging the Fan

REMEMBER to turn off the power. Follow the steps below to hang your fan properly:

Step 1. Remove the decorative canopy bottom cover from the canopy by turning the cover counter clockwise.(Fig. 5)

Step 2. Remove the mounting bracket from the canopy by removing the 1 of 2 screws from the bottom of the mounting bracket and loosening the other one a half turn from the screw head. Next, turn the canopy counter clockwise to removing the mounting bracket from the canopy. (Fig. 5)

Step 3. Pass the 120-volt supply wires through the center hole in the ceiling hanger bracket as shown in Fig. 6.

Step 4. Secure the hanger bracket to the ceiling outlet box with the screws and washers provided with your outlet box.

Step 5. Remove the hanger pin, lock pin and set screws from the top of the motor assembly.

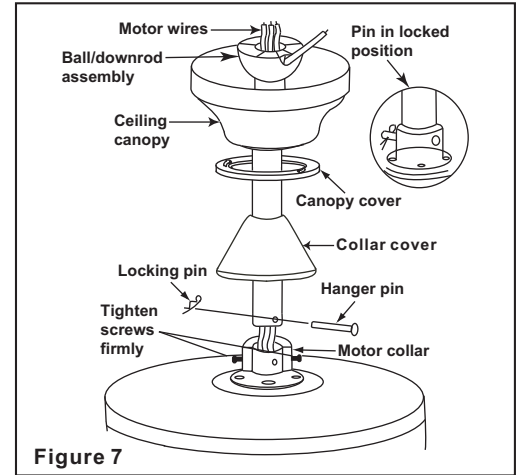
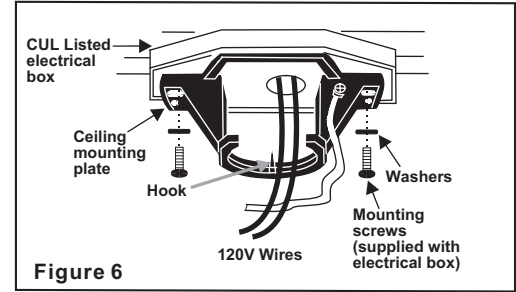
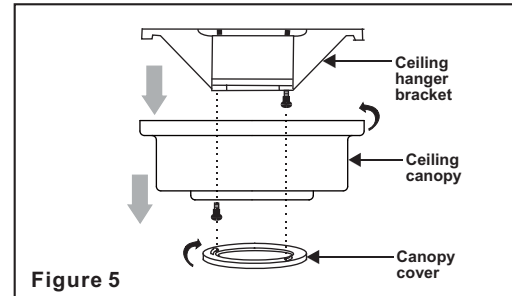
Step 6. Route wires exiting from the top of the fan motor through the collar cover, canopy cover, canopy and then through the ball / downrod. (Fig. 7)

Step 7. Align the holes at the bottom of the downrod with the holes in the collar on top of the motor housing (Fig. 7). Carefully insert the hanger pin through the holes in the collar and downrod. Be careful not to jam the pin against the wiring inside the downrod. Insert the locking pin through the hole near the end of the hanger pin until it snaps into its locked position, as noted in the circle inset of Fig. 7.

WARNING
FAILURE TO PROPERLY INSTALL
LOCKING PIN AS NOTED IN STEP 7
COULD RESULT IN FAN LOOSENING AND
POSSIBLY FALLING.

Step 8. Tighten two set screws on top of the fan motor firmly. (Figure 7)

Step 9. Place the downrod ball into the hanger bracket socket.



Make the Electric Connections

REMEMBER to disconnect the power.

If you feel that you do not have enough electrical wiring knowledge or experience, have your fan installed by a licensed electrician.

Follow the steps below to connect the fan to your household wiring. Use the wire connecting nuts supplied with your fan. Secure the connectors with electrical tape. Make sure there are no loose strands or connections.

Step 1. Connect the ground conductor of the 120V supply (this may be a bare wire or a wire with green colored insulation) to the green ground lead(s) of the fan. (Figure 8)

Step 2. Connect the fan motor white wire to the supply white (neutral) wire using a wire nut. (Figure 8)

Step 3. Connect the fan motor black wire to the supply black (hot) wire using a wire nut. (Figure 8)

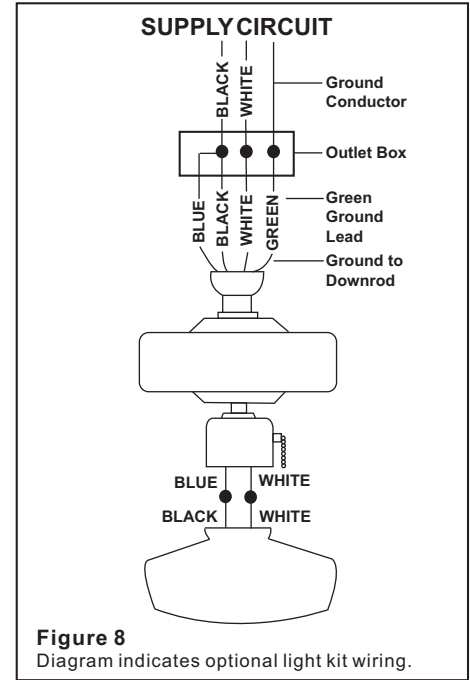
Step 4. Connect the blue wire for light kit to the black household supply wire.

Step 5. Turn wire nut connections upward, spreading them apart so the green (ground) will be on one side of the outlet box and the white, black and blue wire will be on the other side, and push carefully up into the outlet box.

WARNING
CHECK TO SEE THAT ALL CONNECTIONS ARE TIGHT, INCLUDING GROUND, AND THAT NO BARE WIRE IS VISIBLE AT THE WIRE NUTS. EXCEPT FOR THE GROUND WIRE.

WARNING
ELECTRICAL DIAGRAMS ARE FOR REFERENCE ONLY. OPTIONAL USE OF ANY LIGHT KIT SHALL BE NOM LISTED AND MARKED SUITABLE FOR USE WITH THIS FAN.

WARNING
TO REDUCE THE RISK OF FIRE OR ELECTRIC SHOCK, DO NOT USE THIS FAN WITH ANY SOLID-STATE SPEED CONTROL DEVICE.



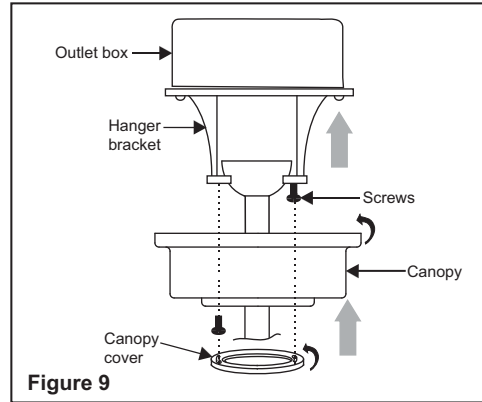
Finishing the Installation

Step 1. Tuck connections neatly into ceiling outlet box.

Step 2. Slide the canopy up to mounting bracket and place the key hole on the canopy over the screw on the mounting bracket, turn canopy until it locks in place at the narrow section of the key holes. (Fig. 9)

Step 3. Align the circular hole on canopy with the remaining hole on the mounting bracket, secure by tightening the two set screws. Note: Adjust the canopy screws as necessary until the canopy and canopy cover are snug.

WARNING
MAKE SURE THE NOTCH ON THE HANGING BRACKET PROPERLY SITS IN THE GROOVE IN THE HANGER BALL BEFORE ATTACHING THE CANOPY TO THE BRACKET BY TURNING THE HOUSING UNTIL IT DROPS INTO PLACE.



Attaching the Fan Blades

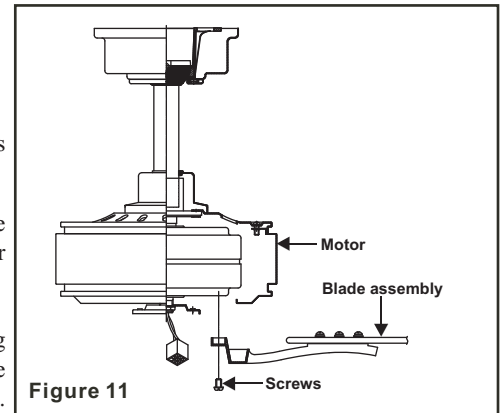
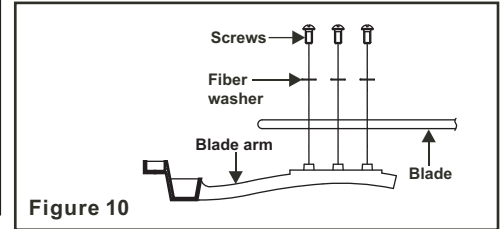
CAUTION: Remove 3 rubber packing mounts and discard before installation.

NOTE: Your fan blades are reversible. Select the blade side finish which best accentuates your decor.

Step 1. Attach the blades to the blade arms using three screws and fiber washers as shown in Figure 10. Start a screw into the arm, do not tighten. Repeat for the 2 remaining screws and washers.

Step 2. Tighten each screw securely starting with the center screw. Make sure the blade is straight.

Step 3. Fasten the blade assembly to the motor using the motor screws provided. (Figure 11)



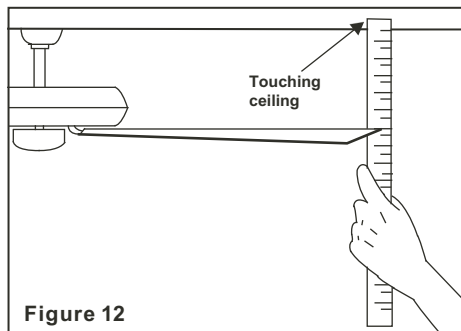
Blade Balancing

All blades are grouped by weight. Because natural woods vary in density, the fan may wobble even though the blades are weighed equally.

The following procedure should correct most fan wobbling problems. Check after each step.

1. Check that all blade and blade arm screws are secure.
2. Most fan wobbling problems are caused when blade levels are unequal. Check this level by selecting a point on the ceiling above the tip of one of the blades. Measure this distance as shown in Figure 12. Rotate the fan until the next blade is positioned for measurement. Repeat for each blade. The distance deviation should be equal within 1/8".
3. Use the enclosed Blade Balancing Kit if the blade wobble is still noticeable.
4. If the blade wobble is still noticeable, interchanging two adjacent (side by side) blades can redistribute the weight and possibly result in smoother operation.

WARNING
TO REDUCE THE RISK OF PERSONAL INJURY, DO NOT BEND THE BLADE HOLDERS WHILE INSTALLING, BALANCING THE BLADES, OR CLEANING THE FAN. DO NOT INSERT FOREIGN OBJECTS BETWEEN ROTATING FAN BLADES.



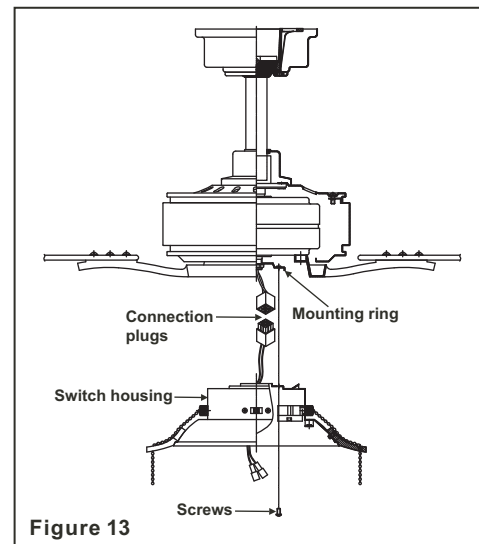
Installing the Switch Housing

Step 1. Remove the 1 of 3 screws from the mounting ring and keep it for future use. Loosen the other 2 screws. (Do not remove)

Step 2. Place the key holes on the switch housing over the 2 screws previously loosened from the mounting ring, turn switch housing

until it locks in place at the narrow section of the key holes. Secure by tightening the 2 screws previously loosened and the one previously removed. (Figure 13)

Step 3. Snap the wire connection plugs together.



CAUTION: Before starting installation, disconnect the power by turning off the circuit breaker or removing the fuse at fuse box. Turning power off using the fan switch is not sufficient to prevent electric shock.

Step 1. While holding the light plate under your fan, locate two single white and blue wires in the switch housing labeled FOR LIGHT. Make the polarized plug connections: (Fig. 14)
- White to white
- Blue to black

Step 2. Carefully push all wires back into the switch housing, then install the light plate onto the switch housing with 3 screws provided. Be sure to tighten all screws. (Fig. 14)

Step 3. Install the 10W LED bulb (included). (Fig. 15)

Step 4. Raise glass shade up against the light kit and secure it to fan by turning glass clockwise until snug. DO NOT OVERTIGHTEN. (Fig. 15)

Step 5. Restore power and your light kit is ready for operation.

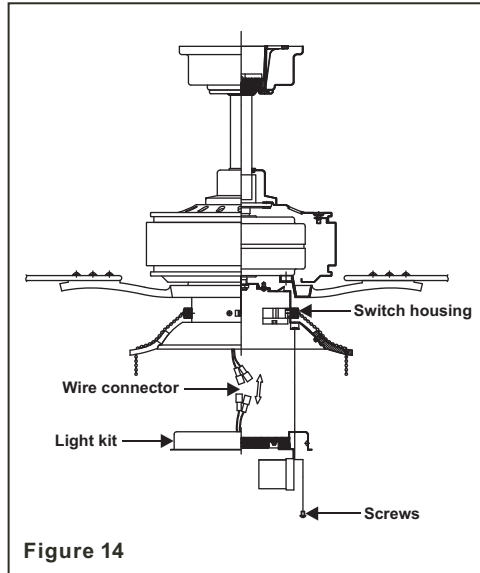


Figure 14

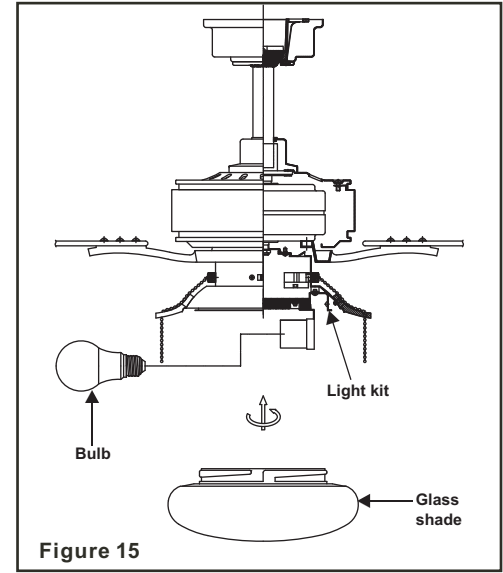


Figure 15

Installing the Light Kit 8.

Turn on the power and check the operation of your fan. There are two pull chains available in your fan:

1. 3-speed pull chain- it controls the fan speed as follows: 1 pull- High, 2 pulls- Medium, 3 pulls- Low, and 4 pulls- Off.

Speed settings for warm or cool weather depend on factors such as the room size, ceiling height, number of fans, and so on.

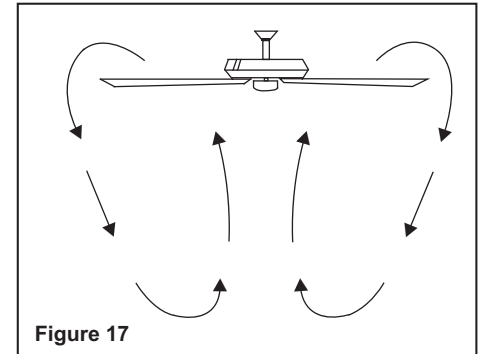
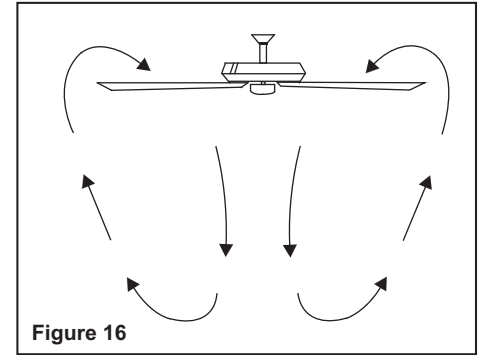
2. Light kit pull chain- it controls the light kit in "ON" or "OFF".

The slide switch controls directions: forward (switch left) or reverse (switch right).

NOTE
WAIT FOR THE FAN TO STOP BEFORE
REVERSING THE DIRECTION
OF THE BLADE ROTATION.

Warm weather - (Forward) A downward air flow creates a cooling effect as shown in Figure 16. This allows you to set your air conditioner on a higher setting without affecting your comfort.

Cool weather - (Reverse) An upward airflow moves warm air off the ceiling area as shown in Figure 17. This allows you to set your heating unit on a lower setting without affecting your comfort.



9. Operating Your Fan

Here are some suggestions to help you maintain your fan

1. Because of the fan's natural movement, some connections may become loose. **Check the support connections, brackets, and blade attachments twice a year.** Make sure they are secure. **(It is not necessary to remove fan from ceiling.)**

2. Clean your fan periodically to help maintain its new appearance over the years. Use only a soft brush or lint-free cloth to avoid scratching the finish. The plating is sealed with a lacquer to minimize discoloration or tarnishing. Do not use water when cleaning. This could damage the motor, or the wood, or possibly cause an electrical shock.

3. You can apply a light coat of furniture polish to the wood blades for additional protection and enhanced beauty. Cover small scratches with a light application of shoe polish.

4. **There is no need to oil your fan.** The motor has permanently lubricated bearings.

IMPORTANT
MAKE SURE THE POWER IS OFF AT THE
ELECTRICAL PANEL BOX BEFORE YOU
ATTEMPT ANY REPAIRS. REFER TO THE
SECTION "MAKING ELECTRICAL
CONNECTIONS"

Care of Your Fan 10.

Problem

Solution

Fan will not start.

1. Check circuit fuses or breakers.
2. Check line wire connections to the fan and switch wire connections in the switch housing.
CAUTION: Make sure main power is off.

Fan sounds noisy.

1. Make sure all motor housing screws are snug.
2. Make sure the screws that attach the fan blade bracket to the motor hub is tight.
3. Make sure wire nut connections are not rubbing against each other or the interior wall of the switch housing.
CAUTION: Make sure main power is off.
4. Allow a 24-hour "breaking-in" period. Most noise associated with a new fan disappear during this time.
5. If using an optional light kit, make sure the screws securing the glassware are tight. Check that light bulb is also secure.
6. Some fan motors are sensitive to signals from solid-state variable speed controls. If you have installed this type of control, choose and install another type of control.
7. Make sure the upper canopy is a short distance from the ceiling. It should not touch the ceiling.

11. Troubleshooting

Fan Size	Speed	Volts	Amps	Watts	RPM	CFM	N.W.	G.W.	C.F.
52"	Low	120	0.219	11.3	63.8	1882	18.26 lbs	20.24 lbs	1.72'
	High	120	0.49	59.3	157	4682			

These are approximate measures. They do not include Amps and Wattage used by the light kit.

Specifications 12.

Manual de Instalación del Ventilador de Techo

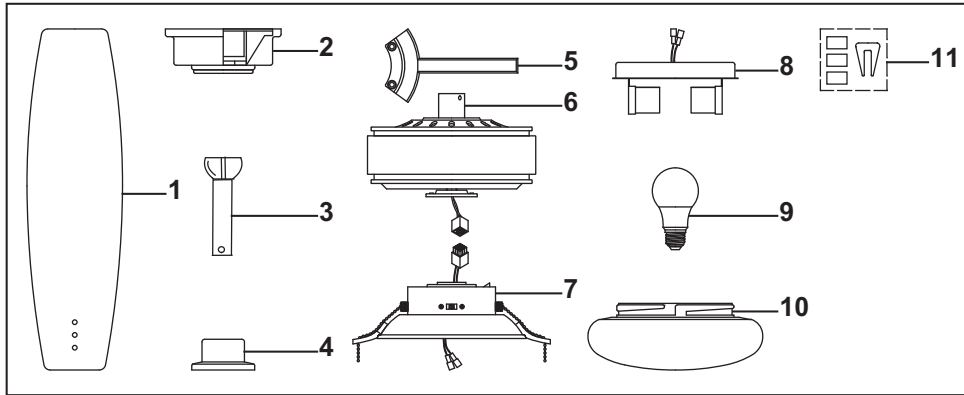


Normas de seguridad	1.
Cómo desembalar el ventilador	2.
Cómo instalar el ventilador	3.
Instalación del kit de luz	8.
Cómo operar el ventilador	9.
Cómo cuidar del ventilador	10.
Resolución de problemas	11.
Especificaciones	12.

Tabla de Contenido

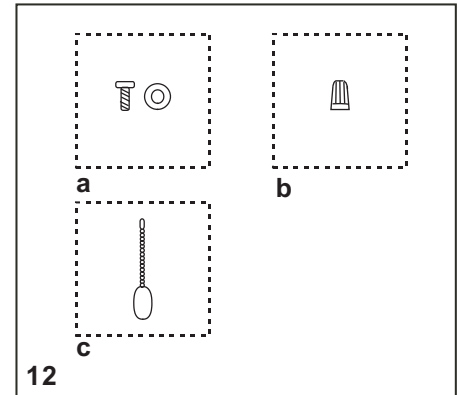
1. Para reducir el riesgo de electrocución, asegurarse de que la electricidad se ha desactivado en el cortacircuitos o caja de fusibles antes de comenzar.
 2. Todo cableado debe realizarse conforme al Código Electrico Nacional y los códigos eléctricos locales. La instalación eléctrica debe ser relajada por un electricista registrado calificado.
 3. **ADVERTENCIA:** Para reducir el riesgo de una electrocución e incendio, no usar este ventilador con ningún dispositivo de este tipo para control de la velocidad del ventilador.
 4. **ADVERTENCIA:** para reducir el riesgo de incendio, descarga eléctrica o lesión personal, monte a una caja distribución marcada como "Aceptable para soporte de un ventilador de 15.9kg (35 lbs.) de peso o menos" y monte con los tornillos proporcionados con la caja de distribución. La mayoría de las cajas de conexión utilizadas para soportar artefactos de iluminación, no son aptas para colgar un ventilador y podría ser necesario cambiarlas. Debido a la complejidad de la instalación de este ventilador, se recomienda encarecidamente que la realice un electricista licenciado cualificado.
 9. No usar agua o detergentes al limpiar el ventilador o las aspas del ventilador. Para la mayoría de los propósitos de limpieza, un paño seco o ligeramente humedecido será apropiado.
 10. Después de realizar las conexiones eléctricas, los conductores empalmados se deben voltear hacia arriba y se deben empujar con cuidado hacia dentro de la caja de distribución. Los cables deben estar separados, con el conductor a tierra y el conductor a tierra del equipo en un lado de la caja de distribución.
 11. Los diagramas eléctricos son para referencia únicamente. Los juegos de iluminación que no estén embalados con el ventilador deben estar listados por U.L. y marcados como apropiados para ser usados con el modelo de ventilador que se está instalando. Los interruptores deberán ser Interruptores para uso general U.L. Réferase a las instrucciones embaladas con los juegos de iluminación e interruptores para obtener información sobre el montaje adecuado.
- ADVERTENCIA**
PARA REDUCIR EL RIESGO DE INCENDIO ELECTROCUCIÓN O LESIONES PERSONALES. MONTAR EL VENTILADOR EN UNA CAJA DE DISTRIBUCIÓN MARCADA COMO ACEPTABLE PARA SOPORTE DE VENTILADORES.
- ADVERTENCIA**
PARA REDUCIR EL RIESGO DE LESIONES PERSONALES, NO DOBLAR LOS SOPORTES DE LAS ASPAS (TAMBIEN LLAMADOS "REBORDES" DURANTE EL MONTAJE O DESPUES DE LA INSTALACION NO INSERTAR OBJETOS EN LA TRAYECTORIA DE LAS ASPAS.
- ADVERTENCIA**
ESTE PRODUCTO CONTIENE SUBSTANCIAS QUÍMICAS QUE SEGÚN EL ESTADO DE CALIFORNIA CAUSA CÁNCER, DEFECTOS DE NACIMIENTO Y (O) DAÑO AL SISTEMA REPRODUCTOR. LAVARSE BIEN LAS MANOS DESPUES DE INSTALAR, MANIPULAR, LIMPIAR O TOCAR DE MANERA ALGUNA ESTE PRODUCTO.
- NOTA**
!LEER Y GUARDAR TODAS LAS INSTRUCCIONES!
5. La caja de distribución y la estructura de soporte deben estar montados de manera segura y deben ser capaces de soportar, de manera confiable, un mínimo de 35 libras (15,9 kilogramos). Usar solamente cajas de distribución listadas por UL, marcadas "**PARA SOPORTE DE VENTILADORES**".
6. EL ventilador debe estar montado con un mínimo de 7 pies (2.1m) de espacio libre desde el borde posterior de las aspas hasta el piso.
7. Evitar colocar objetos que interfiera el giro de las aspas.
8. Para evitar lesiones personales o daños al ventilador y otros artículos, tener cuidado al trabajar cerca del ventilador o al limpiarlo.

1. Normas de seguridad



Desembalar el ventilador y revisar el contenido. Debe tener los siguientes elementos:

- | | |
|---|---|
| 1. Juego de aspas (5) | 7. Caja del interruptor |
| 2. Escudete superior | 8. Juego de luz |
| 3. Conjunto de bola/tubo de suspensión | 9. Bombilla base mediana LED de 10 vatios |
| 4. Cubridor del motor | 10. Pantalla de vidrio |
| 5. Juego de soporte de fijación a aspas (5) | 11. Juego de balanceo |
| 6. Conjunto de motor del ventilador | |



12. Dos bolsas de piezas pequeñas:

- a. Piezas de fijación de las aspas**
(16 Tornillos, 16 Arandelas de fibra)
- b. Piezas demontaje**
(3 conectores plásticos para cables eléctricos).
- c. Empacadura de goma**
(2 Tirador para ventilador)

Cómo desembalar el ventilador 2.

Herramienta necesarias

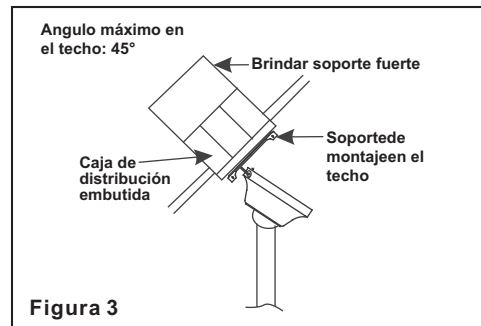
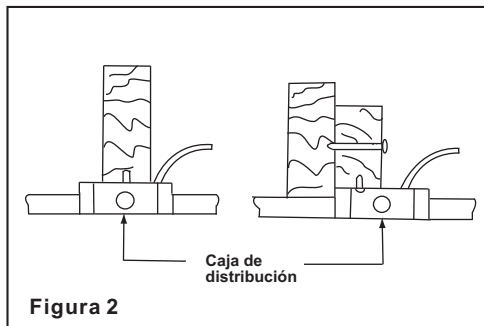
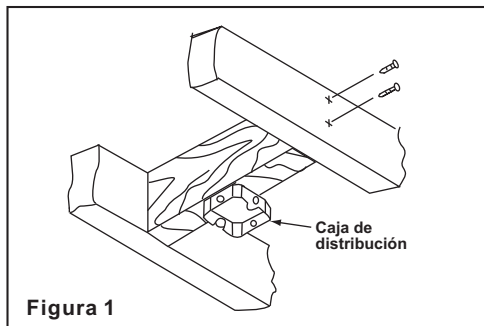
Destornillador Phillips, destornillador normal, llave de tuercas ajustable, escalera de tijera, y cortadoras de alambre.

Opciones de instalación

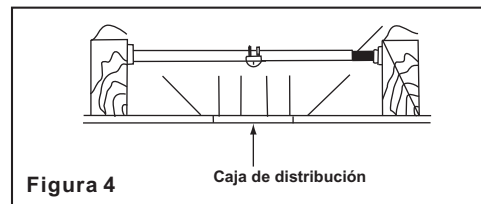
Si no hay una caja con UL registración de montaje existente, sírvase leer las siguientes instrucciones. Desconectar el suministro de electricidad removiendo los fusibles o desactivando los cortacircuitos.

Asegurar la caja de distribución directamente a la estructura del edificio. Usar los sujetadores y materiales de construcción apropiados. La caja de distribución y su soporte deben ser capaces de soportar completamente el peso en movimiento del ventilador (al menos 35 libras o 15.9 kgs.) No usar cajas de distribución plásticas.

ADVERTENCIA
PARA REDUCIR EL RIESGO DE INCENDIO, ELECTROCUCIÓN O DAÑO PERSONAL, INSTALAR EL VENTILADOR A UNA CAJA DE DISTRIBUCION MARCADA "ACEPTADA PARA SOPORTAR VENTILADOR" Y USAR LOS TORNILLOS DE MONTAJE SUMINISTRADOS CON LA CAJA DE DISTRIBUCION



Nota: Ud. Puede necesitar una barra de extension para mantener la distancia apropiada de las aspas cuando la instalacion se efectúe en un techo inclinado.



Para colgar su ventilador donde ya existe una instalacion pero no una viga de techo, es posible que se necesite una instalacion de barra de suspencion como se muestra la Figura 4 (disponible en su distribuidor).

3. Cómo instalar el ventilador

Colocación del ventilador

RECUERDE desconectar la alimentación. Siga estos pasos para colocar correctamente el ventilador:

Paso 1. Retire la tapa embellecedora del fondo del cobertor girando la tapa en sentido de las agujas del reloj. (Fig. 5)

Paso 2. Quite el soporte de montaje de la cubierta quitando 1 de los 2 tornillos de la parte inferior del soporte de montaje y aflojando el otro media vuelta desde la cabeza del tornillo. A continuación, gire la soporte de montaje en sentido contrahorario para quitar la cubierta. (Fig. 5)

Paso 3. Pase los hilos de 120 voltios a través del agujero central del soporte de suspensión del techo tal y cómo se muestra en la. (Fig. 6)

Paso 4. Fije el soporte de suspensión a la caja del techo con los tornillos y arandelas suministradas en la caja.

Paso 5. Retire el pasador de suspensión, el pasador de bloqueo y el conjunto de tornillos y de la parte superior del ensamblaje del motor.

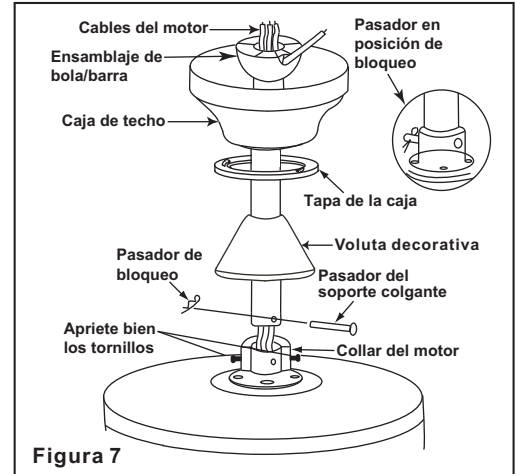
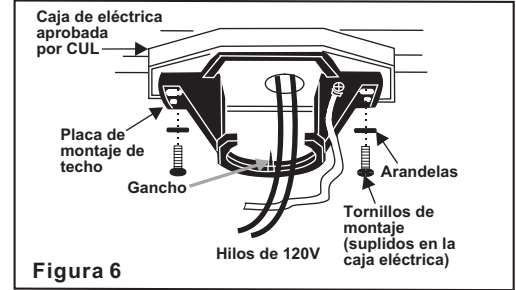
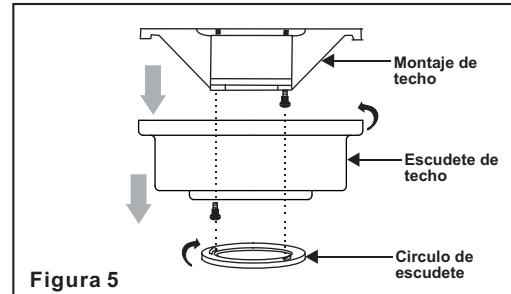
Paso 6. Guíe los cables que salen de la parte superior del motor del ventilador a través de la voluta decorativa, tapa de la cubierta, cubierta y luego a través de la bola/varilla. (Fig. 7)

Paso 7. Alinee los agujeros de la parte inferior de la barra con los agujeros del cuello en la parte superior de la caja del motor (Fig. 7) Introduzca con cuidado el pasador de suspensión a través de los agujeros del cuello y de la barra. Tenga cuidado de que el pasador no se atasque con los hilos de dentro de la barra. Introduzca el pasador de bloqueo a través del agujero cercano al extremo del pasador de suspensión hasta que quede en la posición de bloqueo, tal y cómo se especifica en el círculo de la Fig. 7.

ADVERTENCIA
SI NO INSTALA EL PASADOR
CORRECTAMENTE TAL Y COMO SE
ESPECIFICA EN EL PASO 7, EL
VENTILADOR PODRIA AFLOJARSE E
INCLUSO CAER.

Paso 8. Apriete bien los dos tornillos de la parte superior del motor. (Fig. 7)

Paso 9. Coloque la bola de la barra en la ranura del soporte de suspensión.



Realizar las Conexiones Eléctricas

RECORDAR desconectar la corriente.

Si no tiene los conocimientos necesarios sobre instalaciones eléctricas o experiencia, deje que sea un electricista profesional quien realice la instalación.

Siga los pasos siguientes para conectar el ventilador al cableado de la casa. Utilice las tuercas de conexión de cable incluidas con su ventilador. Fije los conectores con cinta aislante. Asegúrese de no dejar conexiones o hilos sueltos.

Paso 1. Conecte el conductor de tierra de la fuente de 120V (puede que sea un cable pelado o un cable con aislante de color verde) al cable o cables verdes del ventilador (Figura 8).

Paso 2. Conecte el cable blanco del motor del ventilador al cable de corriente blanco (neutro) con una tuerca de cable (Figura 8).

Paso 3. Conecte el cable negro del motor del ventilador al cable de corriente negro (activo) con una tuerca de cable).

Paso 4. Conecte el cable azul para el kit de luz al cable de corriente negro de la carcasa.

Paso 5. Gire las conexiones de tuerca de cable hacia arriba, repartiéndolas de manera que el cable verde (tierra) quede en un lado de la toma de corriente y los cables blanco, negro y azul en el otro lado, y presione con cuidado hacia arriba en la toma de corriente.

ADVERTENCIA
COMPRUEBE SI TODAS LAS CONEXIONES ESTÁN SEGURAS, INCLUYENDO LA DE TIERRA, Y QUE NO HAYA CABLES PELADOS EXPUESTOS A LAS TUERCAS DE LOS CABLES. EXCEPTO EL CABLE DE TIERRA.

ADVERTENCIA
LOS DIAGRAMAS ELÉCTRICOS SIRVEN SÓLO COMO REFERENCIA. EL USO OPCIONAL DE UN KIT DE LUZ DEBE ESTAR LISTADO EN UL Y CORRECTAMENTE MARCADO PARA SU USO CON ESTE VENTILADOR.

ADVERTENCIA
PARA REDUCIR EL RIESGO DE INCENDIO O DESCARGA ELÉCTRICA, NO UTILICES ESTE VENTILADOR CON NINGÚN DISPOSITIVO DE CONTROL DE VELOCIDAD DE ESTADO SÓLIDO.

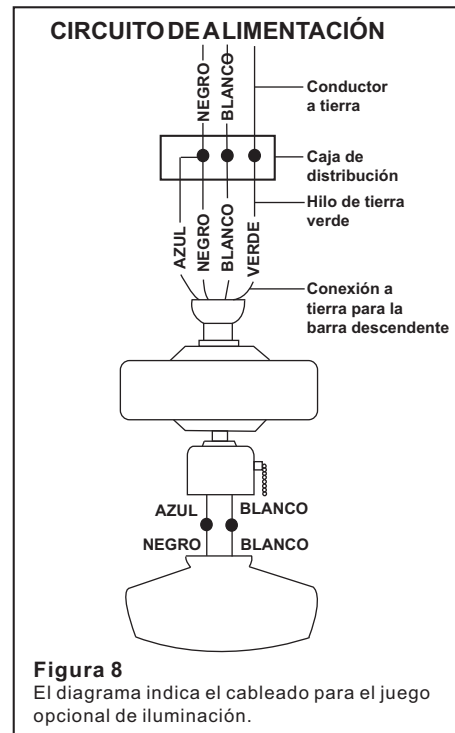


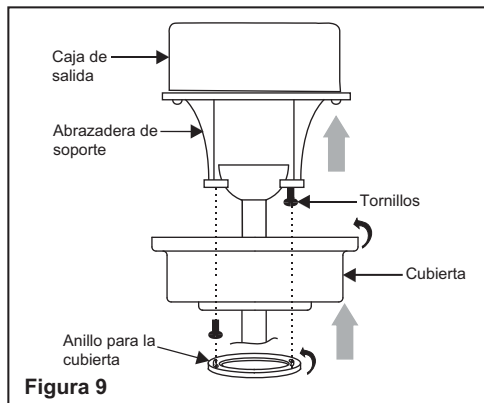
Figura 8
El diagrama indica el cableado para el juego opcional de iluminación.

Terminando la Instalación

Paso 1. Meta las conexiones en forma ordenada adentro de la toma de corriente.

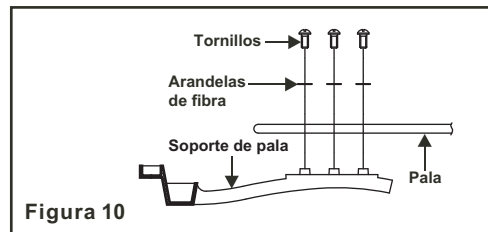
Paso 2. Deslice la cubierta hacia arriba hacia el soporte de montaje y coloque el agujero de posición de la cubierta sobre el tornillo del soporte de montaje, gire la cubierta hasta que quede encajada en su lugar en la sección estrecha de los agujeros de posición. (Fig. 9)

Paso 3. Alinee el agujero circular de la cubierta con el agujero restante en el soporte de montaje, fíjelo apretando los dos juegos de tornillos. Nota: Ajuste los tornillos de la cubierta hasta que la cubierta y la tapa de la cubierta queden ajustadas.



empezando con el tornillo cortador. Asegúrate de que la pala esté recta.

Paso 3. Alinee los agujeros de la abrazadera con los del motor y asegúrela con los tornillos suministrados. Apriete bien los tornillos. (Figura 11).

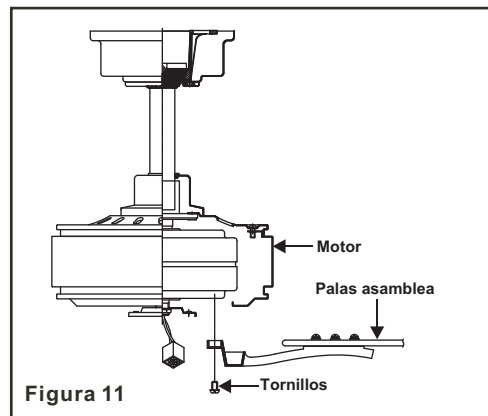


Instalación de las Aspas

PRECAUCIÓN: Quite los 3 montajes de goma del paquete y retírelos antes de la instalación.

NOTA: Las aspas del ventilador son reversibles. Seleccionar el acabado del lado del aspa que mejor acentúe su decoración.

Paso 1. Se pegan las palas a los soportes usando los tornillos y las arandelas de goma provistos como indicado en Fig 10. Inserta un tornillo en el soporte sin apretarlo. Repite el paso por los otros 2 tornillos y arandelas.



ADVERTENCIA
ASEGURARSE DE QUE LA LENGUETA LOCALIZADA EN LA PARTE INFERIOR DEL SOPORTE DE SUSPENSIÓN ESTÉ ASENTADA CORRECTAMENTE EN LA RANURA DE BOLA DE SUSPENSIÓN ANTES DE FIJAR EL ESCUDETE AL SOPORTE. EL NO AJUSTAR CORRECTAMENTE LA LENGUETA EN LA RANURA PODRÍA CAUSAR DAÑO AL CABLEADO ELÉCTRICO.

Paso 2. Aprieta todos los tornillos firmemente

Balaneo de las Aspas

Todas las aspas están agrupadas por peso. Debido a que la desidad de las maderas naturales varía, el ventilador podría oscilar aún cuando el peso de las aspas esté equilibrado.

El siguiente proceimiento debería mayor parte de la oscilación del ventilador. Corregir la Verificar después de cada paso.

1. Verificar que todos los tornillos de aspas y de soportes de aspas estén seguros.
2. La mayoría de los problemas de oscilación se originan cuando los niveles de las aspas son desiguales. Revisar esté nivel por medio de seleccionar un punto del techo por encima de la punta de una de las aspas. Medir esta distancia como se muestra en la Figura 12. Rotar el ventilador hasta que la siguiente aspa esté ubicada para medición. procedimiento para cada aspa. Las medi repetir el das hacer fucional deben mantenerse dentro de 1/8 pulgadas (3mm).
3. Usar el juego de balanceo de aspas incluido si aún se puede notar la oscilación.
4. Si la oscilación de las aspas todavía se puede notar, el intercambio de dos aspas adyacentes (lado a lado) puede redistribuir el peso y es posible que resulte en un funcionamiento más uniforme.

7.

ADVERTENCIA
PARA REDUIR RIESGO DE LESIONES PERSONALES. NO DOBLAR LOS SUJETADORES DE ASPAS MIENTRAS SE REALIZA LA INSTALACIÓN. EL BALANCEO DE LAS ASPAS O SU LIMPIEZA. NO INSERTAR OBJETOS EXTRANOS ENTRE LAS ASPAS DEL VENTILADOR EN ROTACIÓN.

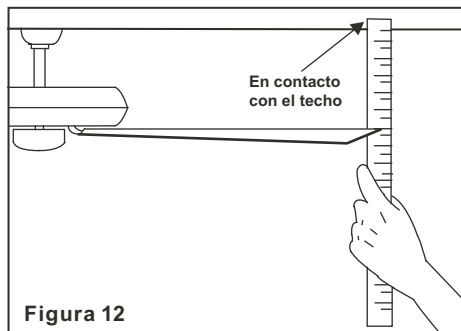


Figura 12

Instalación del Cubierta de Interruptores

Paso 1. Quite 1 de los 3 tornillos del anillo de montaje y afloje los otros 2 tornillos. (No los quite)

Paso 2. Coloque los agujeros del caja del interruptor en los 2 tornillos previamente aflojados del anillo de montaje, gire el caja del

interruptor hasta que quede fijo en su lugar en la parte estrecha de los agujeros. Asegúrela apretando los 2 tornillos aflojados y también el que quitó anteriormente. (Figura 13)

Paso 3. Monte el enchufe de conexión de los alambres.

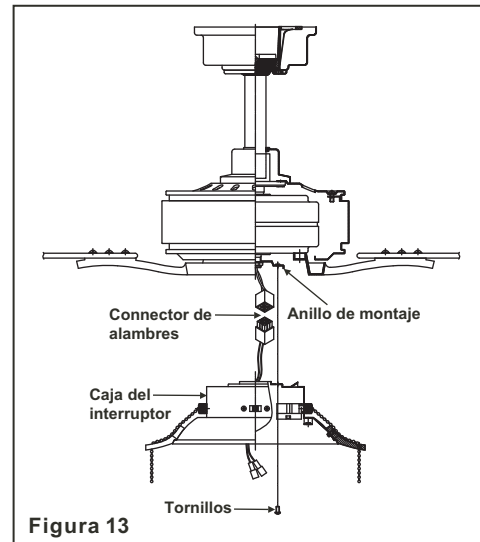


Figura 13

PRECAUCIÓN: Antes de comenzar con la instalación, desconecte la alimentación apagando el circuito del automático o quitando el fusible de la caja de fusibles. Para evitar descargas eléctricas, no basta con apagar la alimentación utilizando el interruptor del ventilador.

Paso 1. Mientras sostiene la lámpara bajo el ventilador, coloque los dos cables separados blanco y azul en la caja del interruptor marcada con FOR LIGHT (PARA LA LUZ). Realice las conexiones del enchufe polarizadas: (Fig. 14)

-Blanco con blanco
-Azul con negro

Paso 2. Introduzca todos los cables con cuidado en la caja del interruptor y luego instale la unidad del kit de luz en el plato de montaje con los 3 tornillos provistos. Asegúrese de apretar todos los tornillos. (Fig. 14)

Paso 3. Instale el bombilla LED de 10 vatios (provistas). (Fig. 15)

Paso 4. Instale el pantalla de cristal, asegúrelo al plato de luz girándolo en sentido contrario de las manecillas del reloj. No lo sobre apriete. (Fig. 15)

Paso 5. Restaura el poder y el juego de luz está listo para la función.

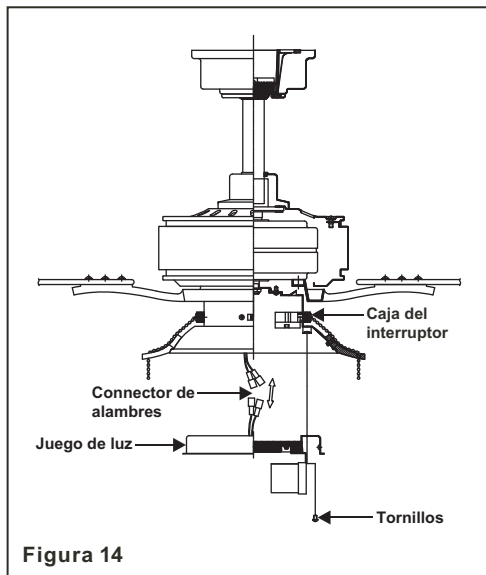


Figura 14

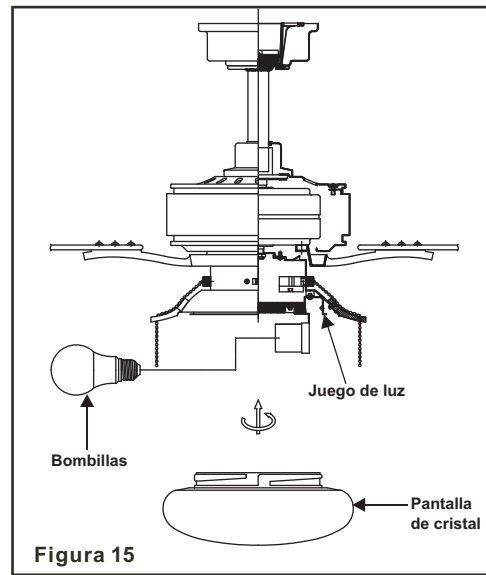


Figura 15

Instalación del kit de luz 8.

Conecte la alimentación y compruebe el funcionamiento del ventilador. Hay 2 cordones en el ventilador:

1. Cordón para 3 velocidades- controla la velocidad del ventilador como sigue: 1 tirón- Alta, 2 tirones- Media, 3 tirones- Baja y 4 tirones- Apagado.

La configuración de la velocidad para temperatura fría o templada depende de factores como el tamaño de la habitación, altura del techo, número de ventiladores, etc.

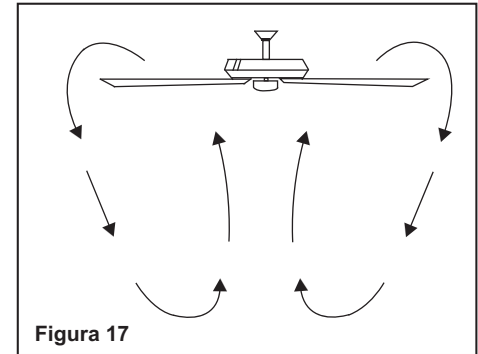
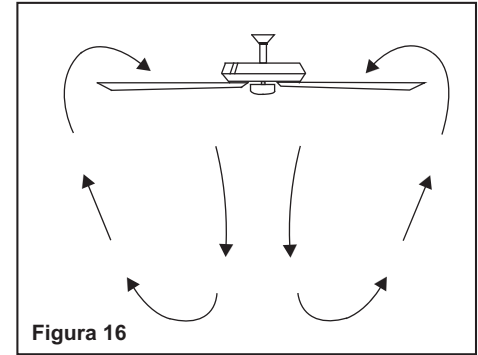
2. Cordón del juego de luz- controla el juego de luz para "encendido" o "apagado".

El interruptor deslizable controla las direcciones: adelante (interruptor izquierda) o atrás (interruptor derecha).

NOTA
ESPERE A QUE EL VENTILADOR PARE ANTES DE CAMBIAR LA POSICIÓN DEL INTERRUPTOR DESLIZANTE.

Clima templado - (sentido contrahorario) el flujo del aire hacia abajo crea un efecto enfriador. (Fig. 16) Esto le permite colocar su aire acondicionado en un lugar más alto sin que afecte a su confort.

Clima frío - (sentido horario) el flujo del aire hacia arriba quita el aire caliente del techo (Fig. 17). Esto le permite colocar el radiador en un lugar más bajo sin que afecte a su confort.



9. *Cómo Operar el Ventilador*

He aquí algunas sugerencias para ayudarle el mantenimiento del ventilador.

1. Debido al movimiento natural del ventilador, algunas conexiones se podrían aflojar. Examinar las conexiones del soporte, soportes, y accesorios de las aspas dos veces al año. Asegurarse de que estén seguros. (No es necesario retirar el ventilador del techo).

2. Limpiar el ventilador periódicamente para ayudar a mantener su apariencia de nuevo con el transcurso del tiempo. Usar solamente un cepillo suave o paño sin hilas para evitar rayar el acabado. El recubrimiento metálico se sella con una laca para minimizar la decoloración o manchado. No usar agua al limpiarlo. Madera, o posiblemente causar choque eléctrico.

3. Se puede aplicar una capa ligera de pulidor para muebles a las aspas de madera para brindar protección adicional y realzar su belleza. Cubrir los rayones pequeños con una ligera aplicación de betún para calzado.

4. No hay necesidad de aceitar el ventilador. El motor tiene cojinetes permanentemente lubricados.

ADVERTENCIA

ASEGURARSE DE QUE LA ELECTRICIDAD ESTÉ DESACTIVADA EN EL TABLERO DE DISTRIBUCIÓN ELÉCTRICA ANTES DE INTENTAR CUALQUIER REPARACIÓN REFERIRSE A LA SECCIÓN "CÓMO EFECTUAR CONEXIONES ELÉCTRICAS"

Cómo cuidar del ventilador 10.

Problema

El ventilador no arranca.

Solución

1. Revisar los fusibles o interruptores de circuitos.
2. Verificar las conexiones de cables de línea al ventilador y conexiones de cable del interruptor.
PRECAUCIÓN: Asegurarse de que la fuente principal de electricidad esté desactivada.

El ventilador hace mucho ruido.

1. Asegurarse de que todos los tornillos de la cubierta del motor estén ajustados.
2. Asegurarse de que los tornillos que sujetan el soporte de aspas del ventilador al eje del motor estén apretados.
3. Asegurarse de que las conexiones de tuercas para cable no estén rozando unas contra otras o contra la pared interior de la cubierta protectora del interruptor.
PRECAUCIÓN: Asegurarse de que la fuente principal de electricidad esté desactivada.
4. Permitir un período de "desgaste" de 24 horas. La mayoría de los ruidos asociados con un ventilador nuevo desaparecen durante este tiempo.
5. Si se está usando un juego opcional de iluminación para el ventilador de techo, asegurarse de que los tornillos que aseguran el vidrio estén apretados. Asimismo, verificar que la bombilla esté segura.
6. Algunos motores son sensibles a las señales provenientes de controles de velocidad variable de estado sólido. Si tiene instalado este tipo de control, elegir e instalar otro tipo.
7. Asegurarse de que el escudete superior esté a una corta distancia del techo. No debe hacer contacto con el techo.

11. Resolución de problemas

Tamaño del Ventilador	Velocidad	Voltios	Amperios	Vatios	RPM	CFM	N.W.	G.W.	C.F.
52" (132 cm)	Baja	120	0.219	11.3	63.8	1882	18.26 lbs	20.24 lbs	1.72'
	Alta	120	0.49	59.3	157	4682			

Estas son mediciones aproximadas. No incluyen los Amperios y vatios usado por el juego de iluminación.

Especificaciones 12.