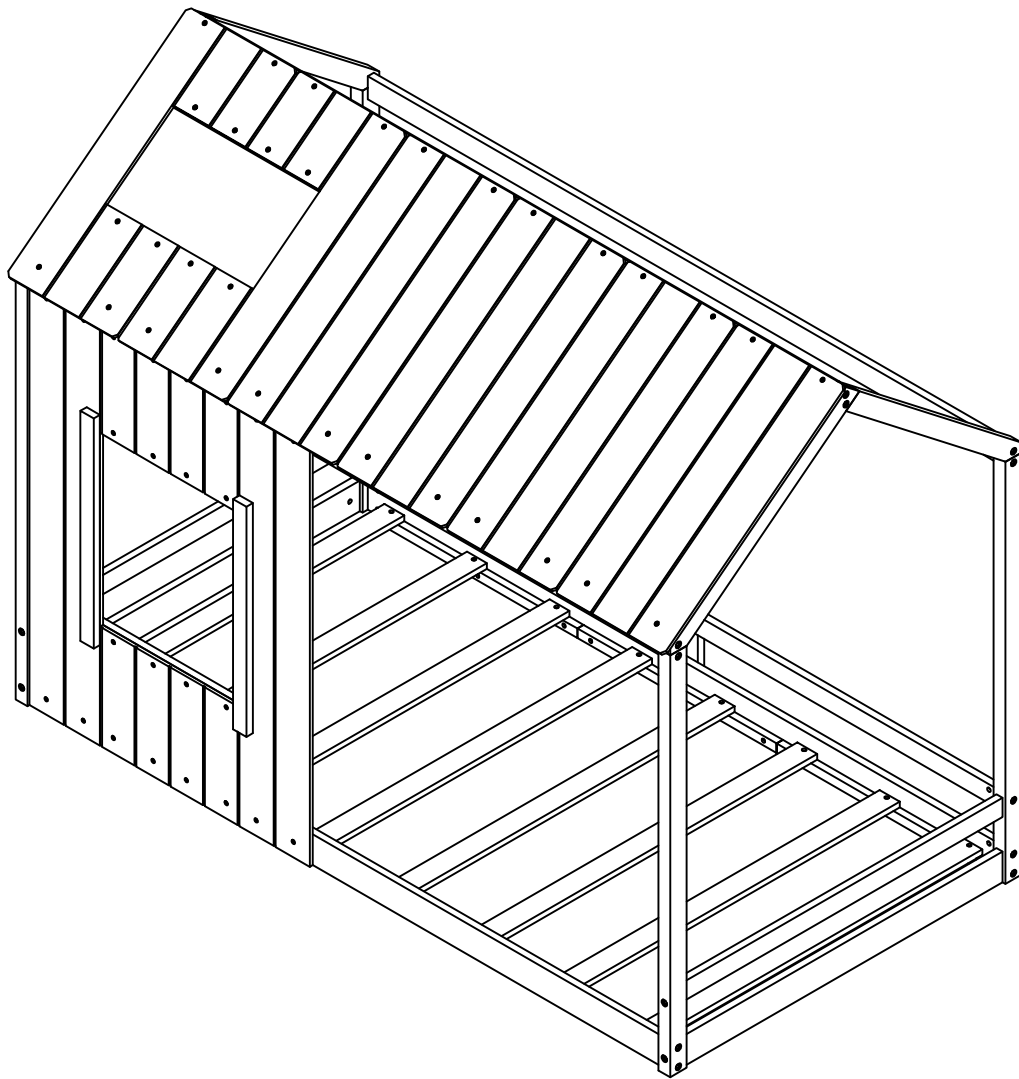
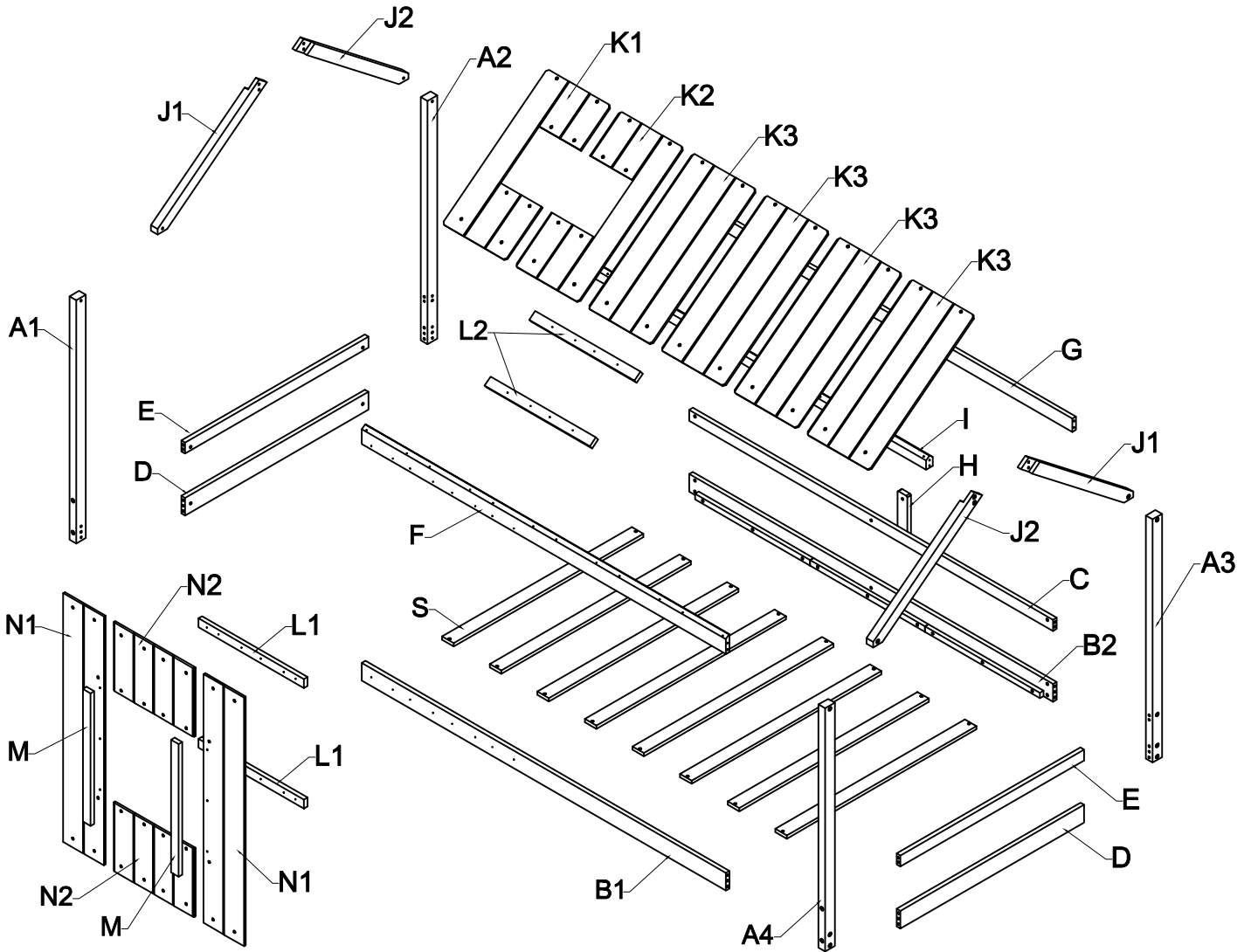


ASSEMBLY INSTRUCTIONS



DETAIL VIEW



BOX

A1



Front Leg - Left (1pc)

A2



Back Leg - Left (1pc)

A3



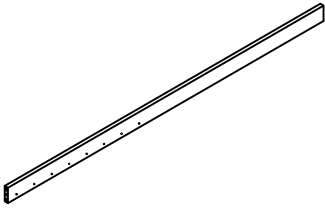
Back Leg - Right (1pc)

A4



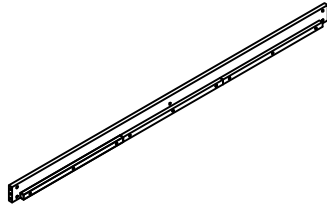
Front Leg - Right (1pc)

B1



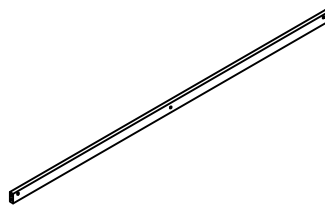
Side Rails - (1pc)

B2



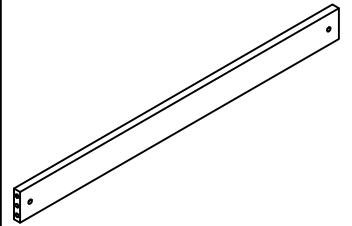
Side Rails - (1pc)

C



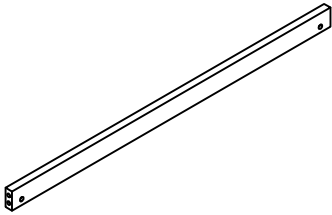
Side Rails Guards - (1pc)

D



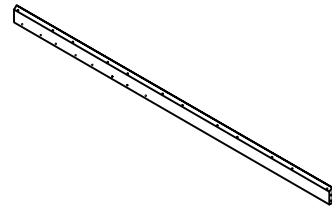
Side Rails Guards - (2pcs)

E



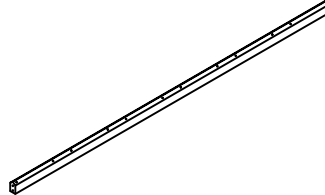
Side Rails Guards - (2pc)

F



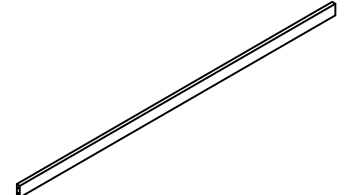
Side Rails Guards - (1pc)

I



Mid Under Frame - (1pc)

G



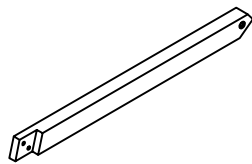
Side Rails Guards - (1pc)

H



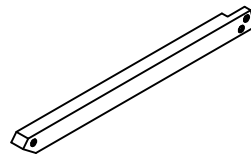
Side Rail - (1pcs)

J1



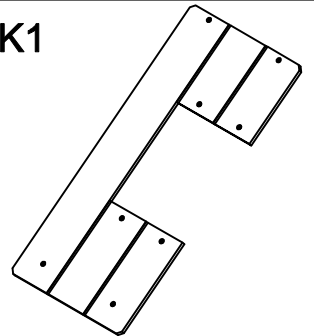
Roof Frame - (2pcs)

J2



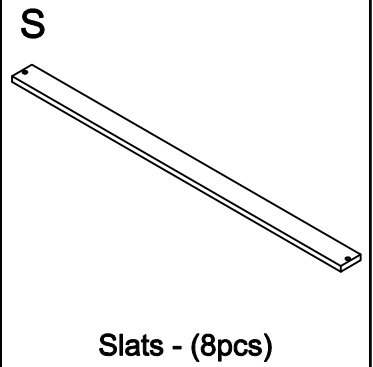
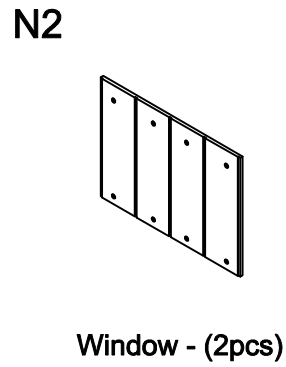
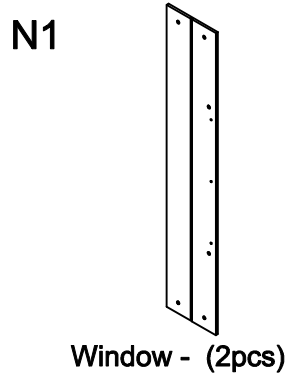
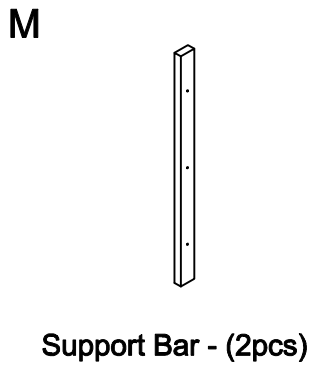
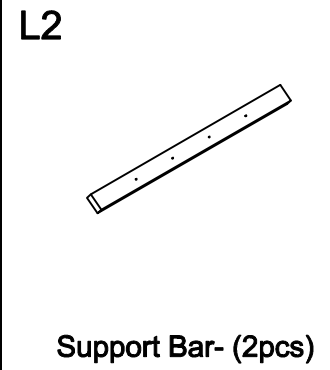
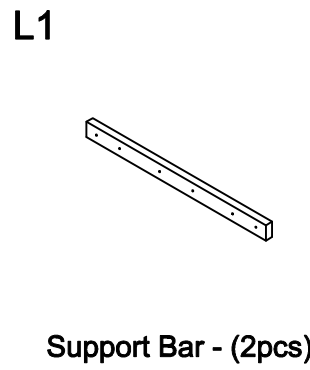
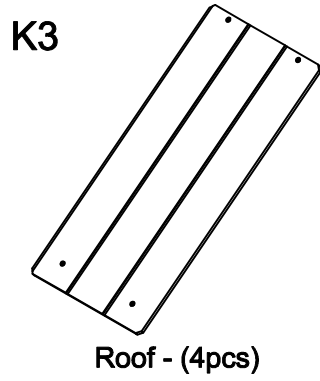
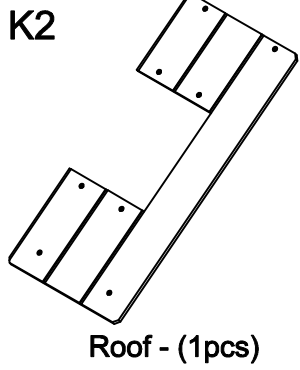
Roof Frame - (2pc)

K1

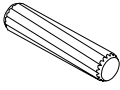
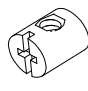
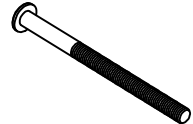
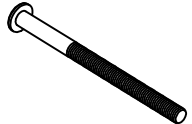
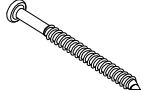


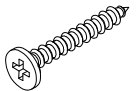
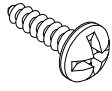
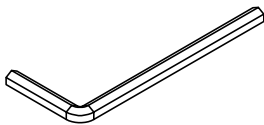


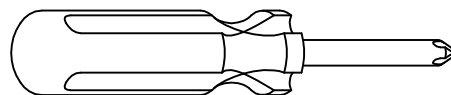
Roof - (1pcs)

BOX



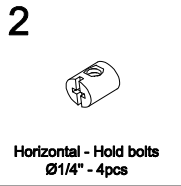
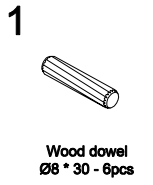
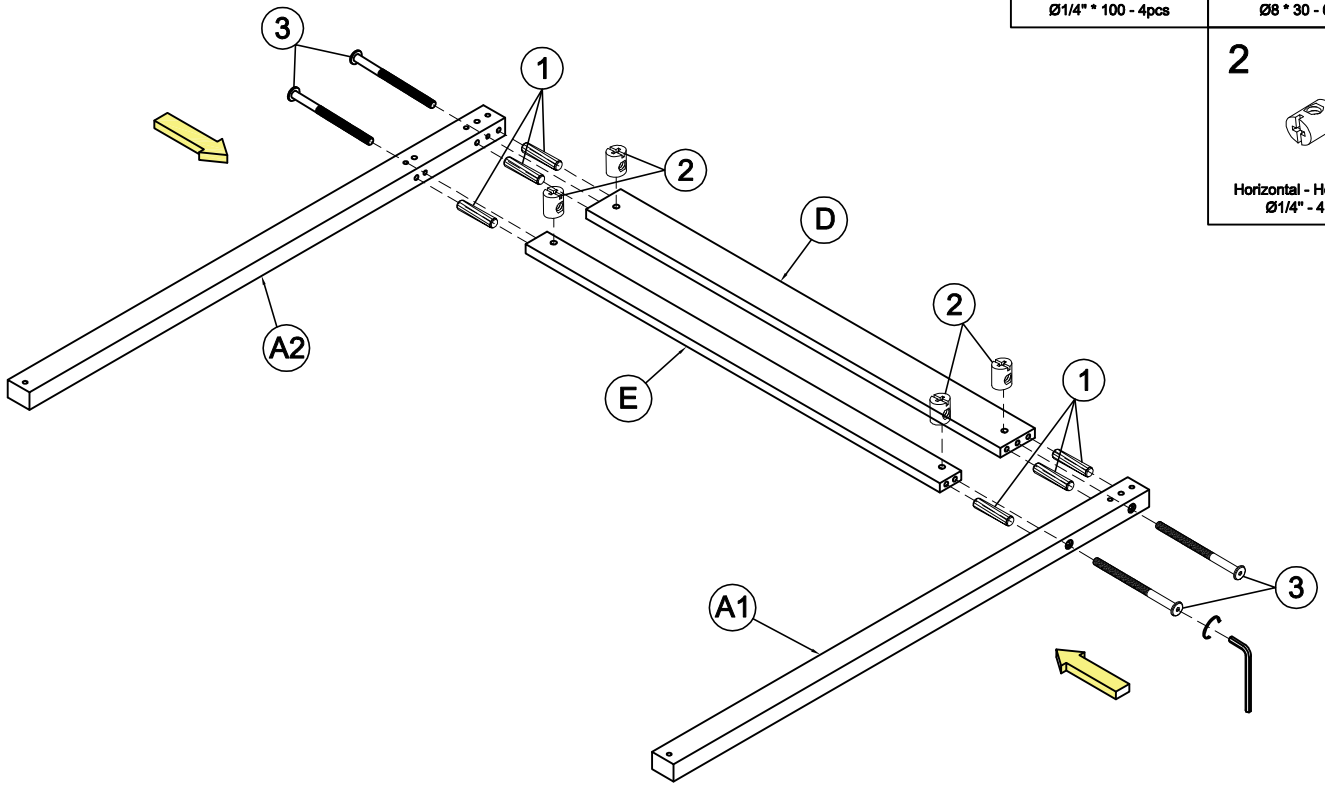
HARDWARE LIST:

<p>1</p>  <p>Wood dowel Ø8 * 30 - 18pcs</p>	<p>2</p>  <p>Horizontal - Hold bolts Ø1/4" - 18pcs</p>	<p>3</p>  <p>Hex - Head bolts Ø1/4" * 100 - 8pcs</p>	<p>4</p>  <p>Hex - Head bolts Ø1/4" * 80 - 10pcs</p>
<p>5</p>  <p>Hexagonal bolts catch wood Ø6 * 70 - 12pcs</p>	<p>6</p>  <p>Hex - Head bolts Ø1/4" * 25 - 2pcs</p>	<p>7</p>  <p>Canopy head though Ø1/4" - 2pcs</p>	<p>8</p>  <p>Wood crews M4 * 25 - 16pcs</p>
<p>9</p>  <p>Round Wood crews M3.5 * 20 - 66pcs</p>	<p>10</p>  <p>Allen key K4 - 2pcs</p>		

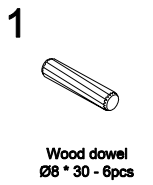
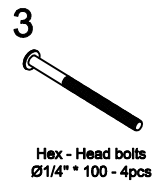
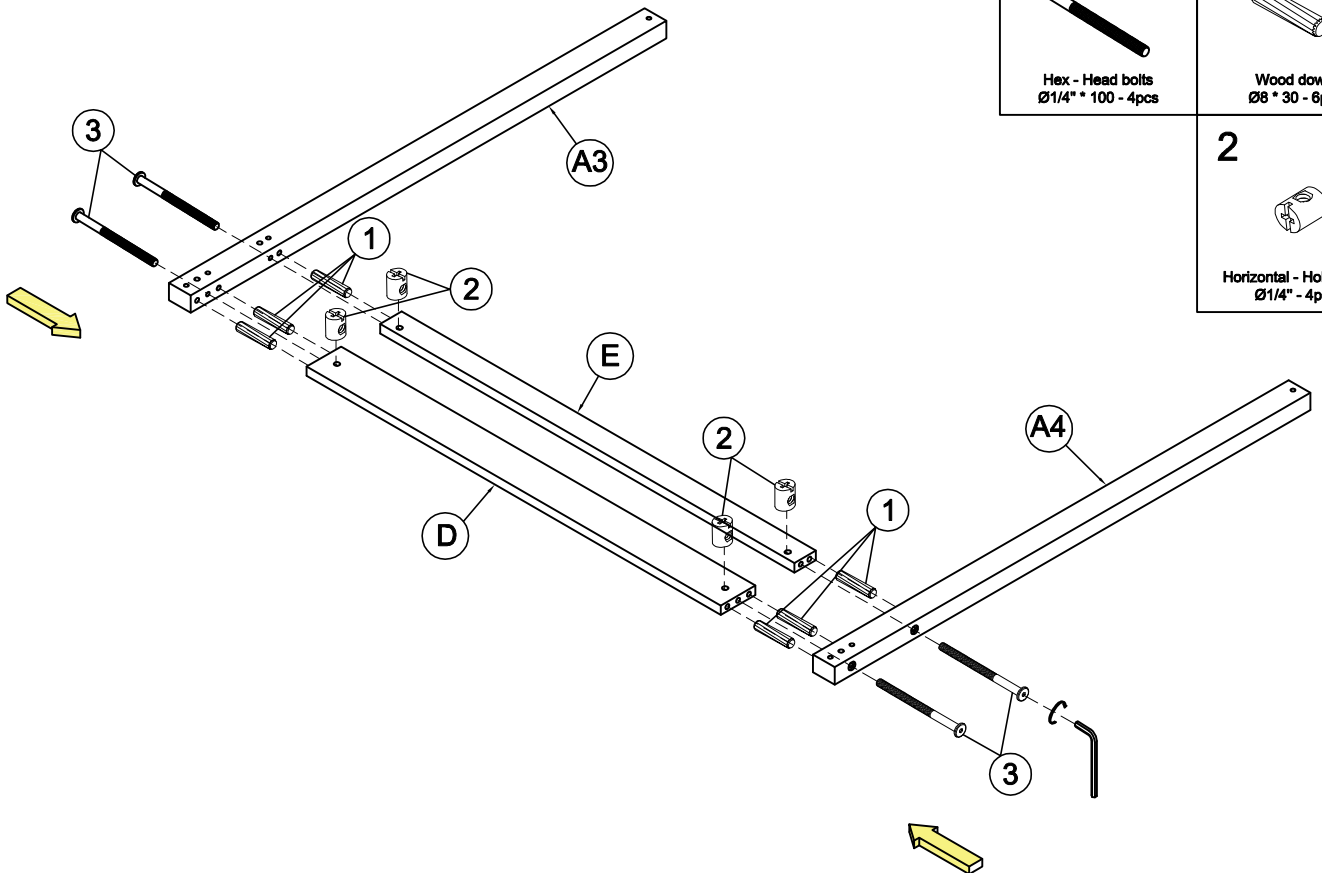


Assembly Tools Required (Not Included)

STEP 1



STEP 2



STEP 3

4



Hex - Head bolts
Ø1/4" * 80 - 10pcs

1



Wood dowel
Ø8 * 30 - 6pcs

5

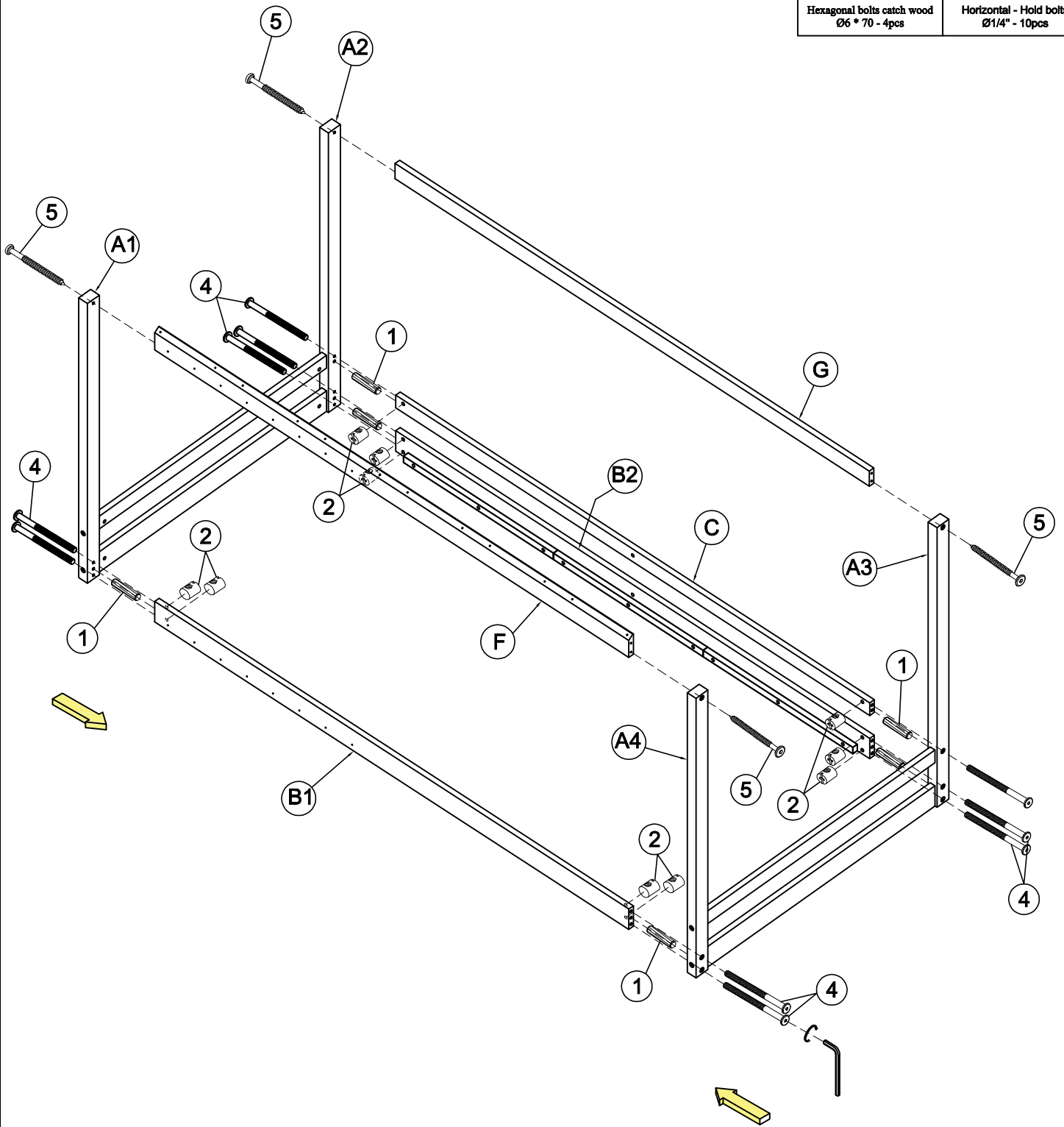


Hexagonal bolts catch wood
Ø6 * 70 - 4pcs

2



Horizontal - Hold bolts
Ø1/4" - 10pcs

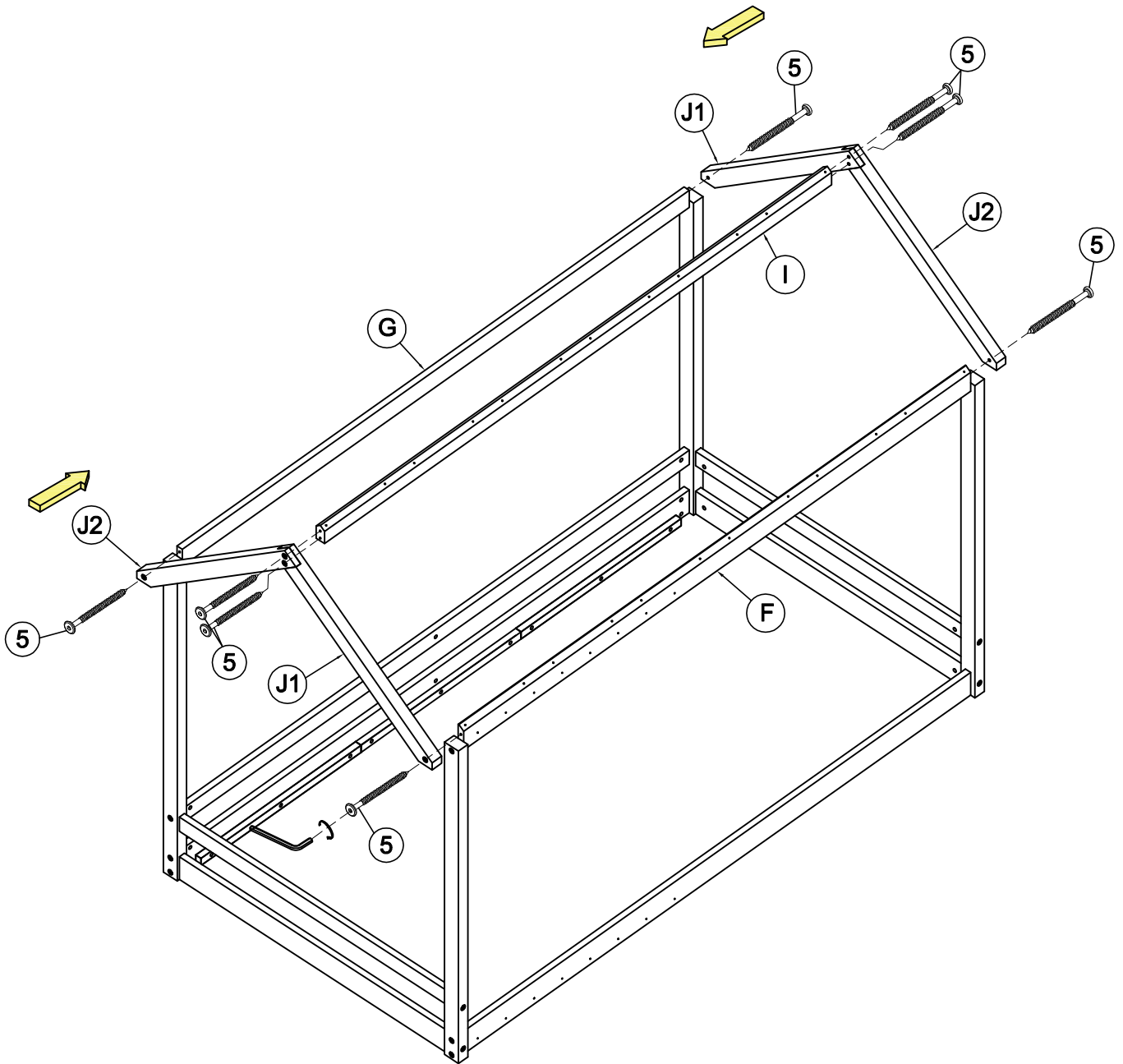


STEP 4

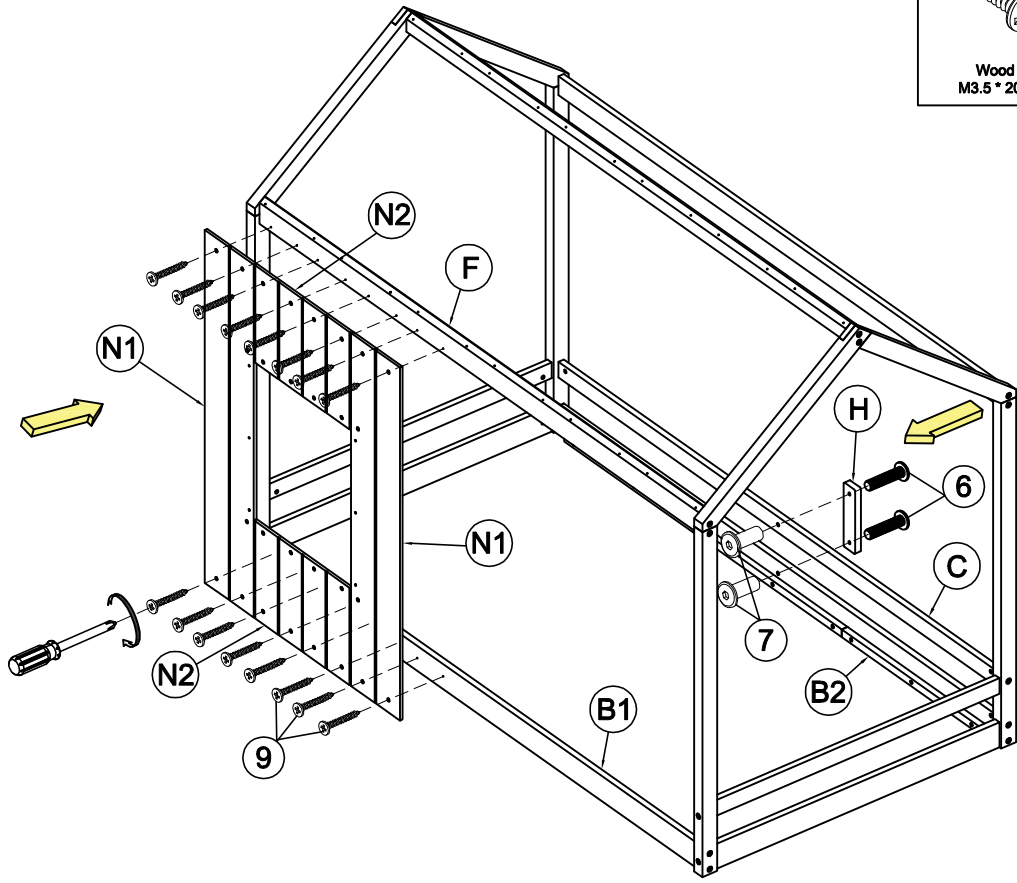
5



Hexagonal bolts catch wood
Ø6 * 70 - 8pcs



STEP 5



9

Wood crews
M3.5 * 20 - 16pcs

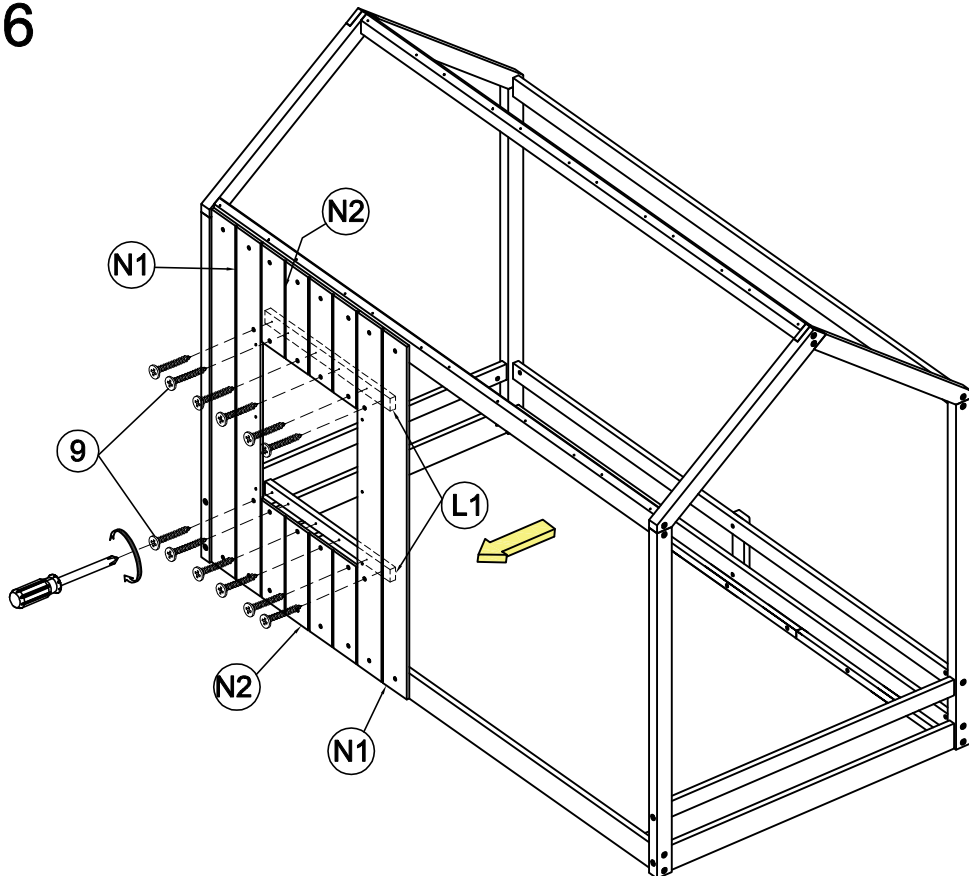
6

Hex - Head bolts
Ø1/4" * 25 - 2pcs

7

Canopy head though
Ø1/4" - 2pcs

STEP 6



9

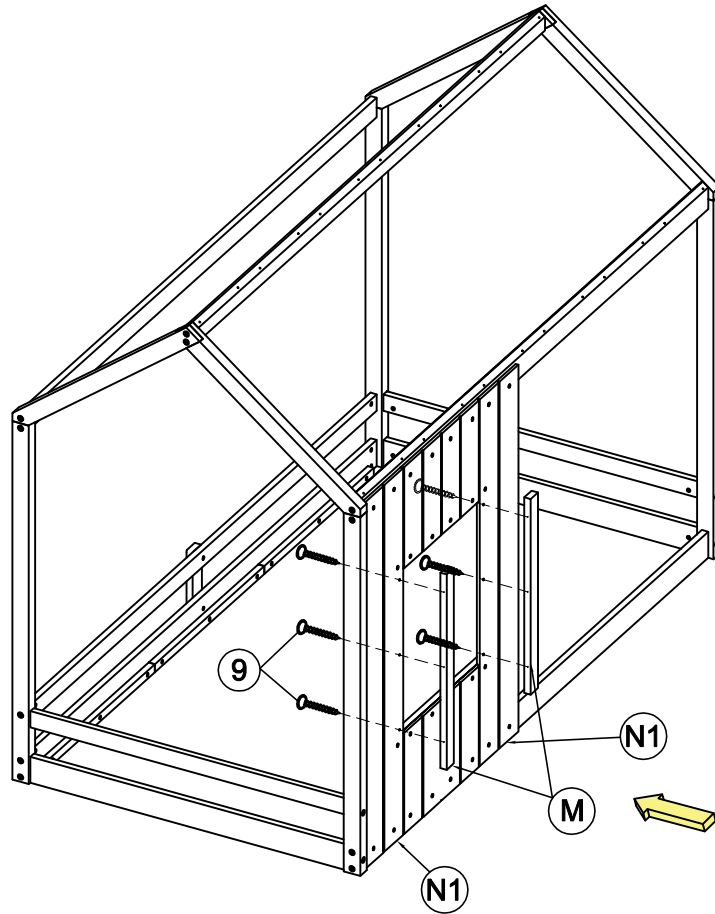
Round Wood crews
M3.5 * 20 - 12pcs

STEP 7

9



Wood crews
M3.5 * 20 - 6pcs

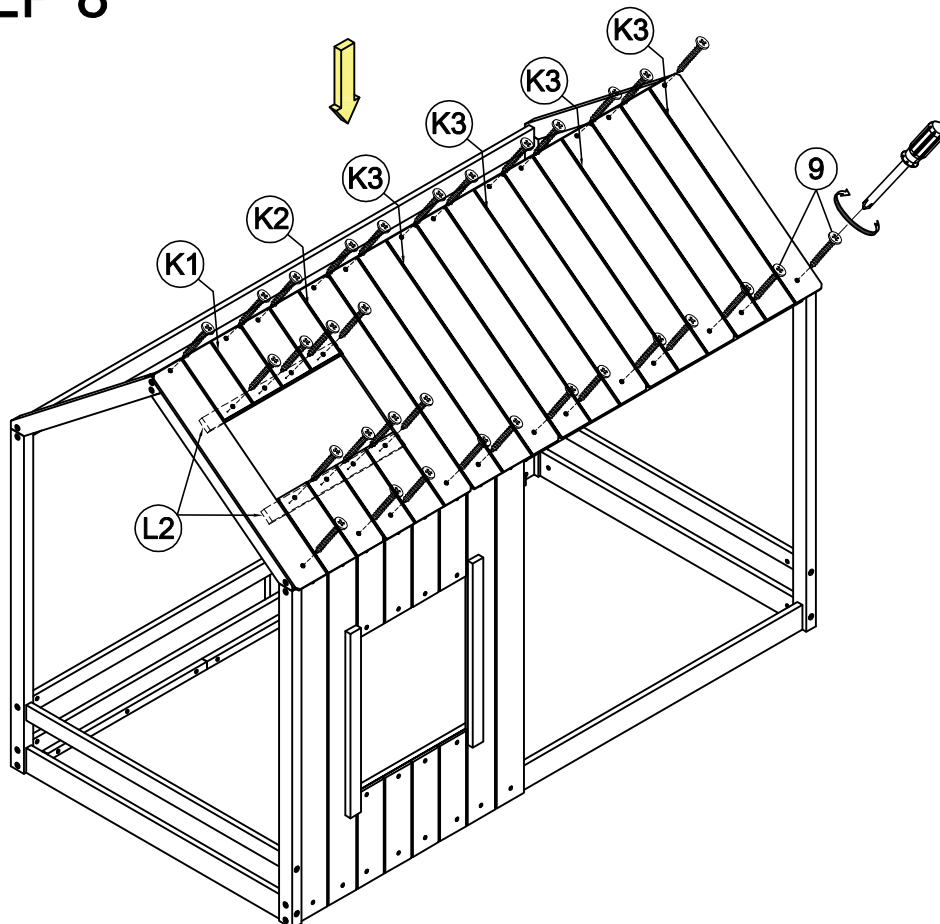


STEP 8

9

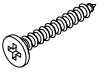


Wood crews
M3.5 * 20 - 32pcs

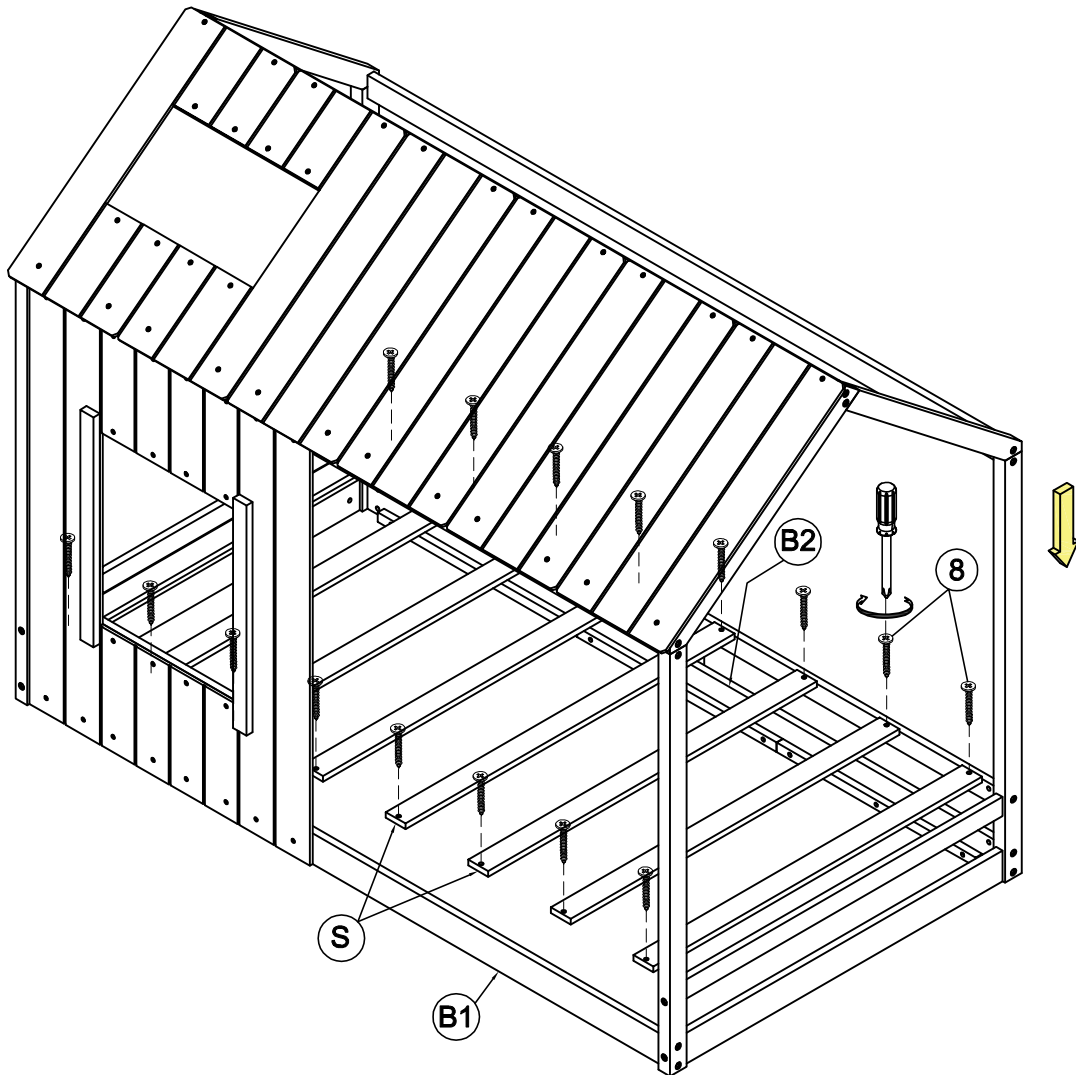


STEP 9

8



Wood crews
M4 * 25 - 16pcs



COMPLETED

