

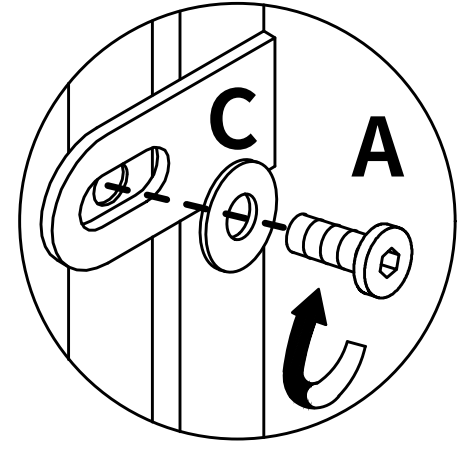
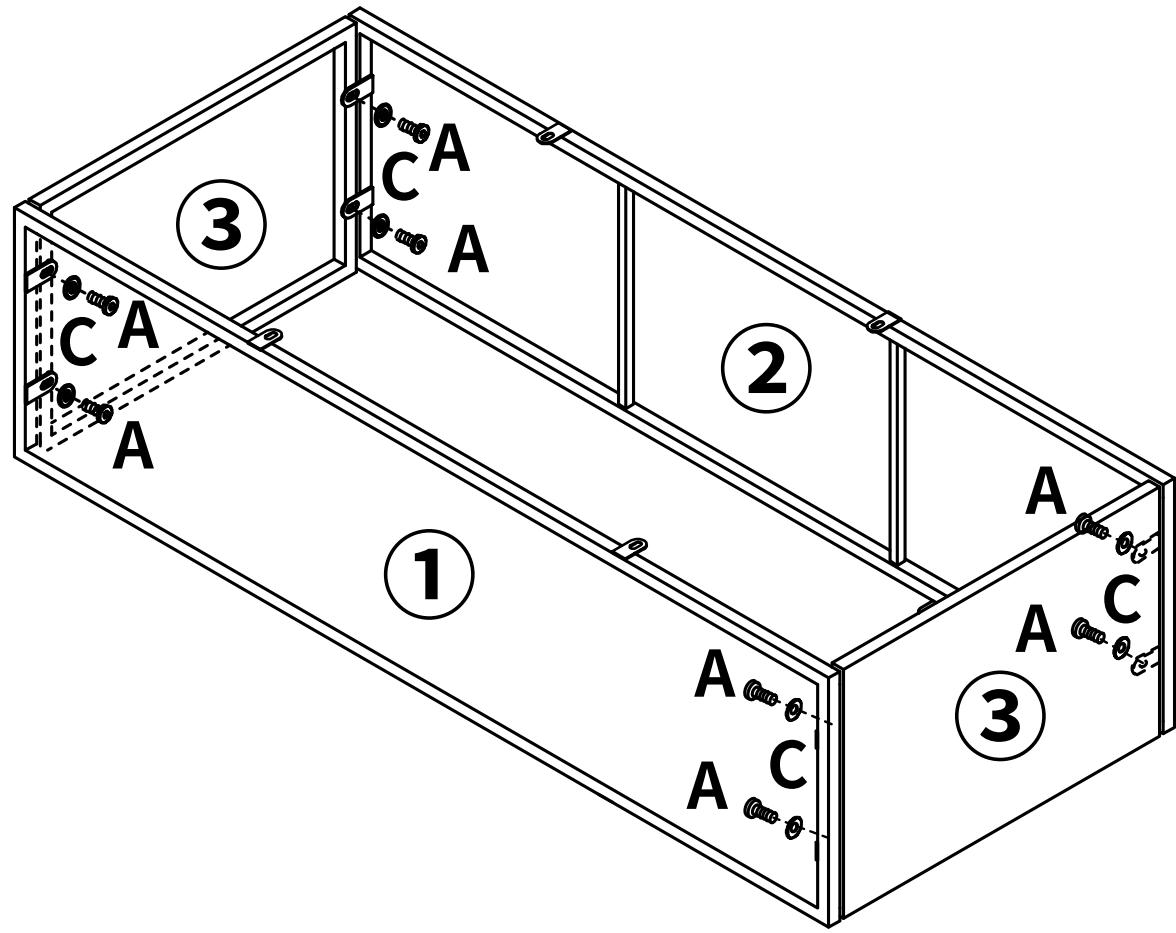
Flip Top Wicker Ottoman



Welcome to your assembly guide!
Follow these simple steps to build a strong and stylish ottoman that adds comfort and charm to your home.

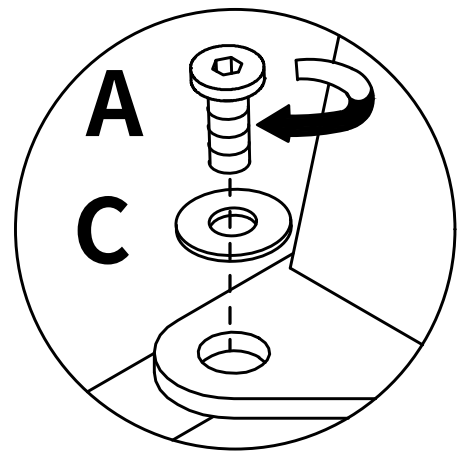
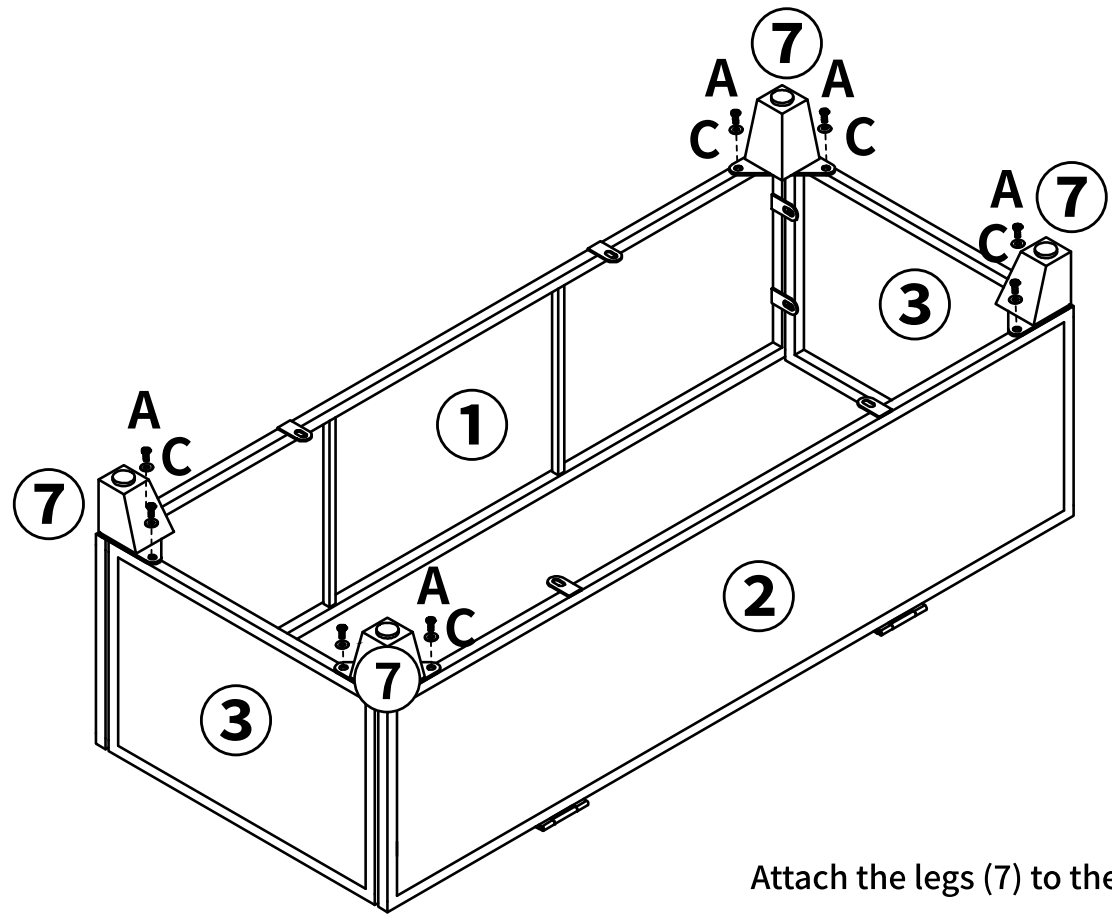
① × 1	A × 16 + 2
	M6*16
② × 1	B × 4 + 2
	M6*15 C × 16 + 2
③ × 2	
	D × 1
④ × 1	
	A × 8 C × 8
⑤ × 1	
⑥ × 1	
⑦ × 4	
	A × 8 C × 8

1



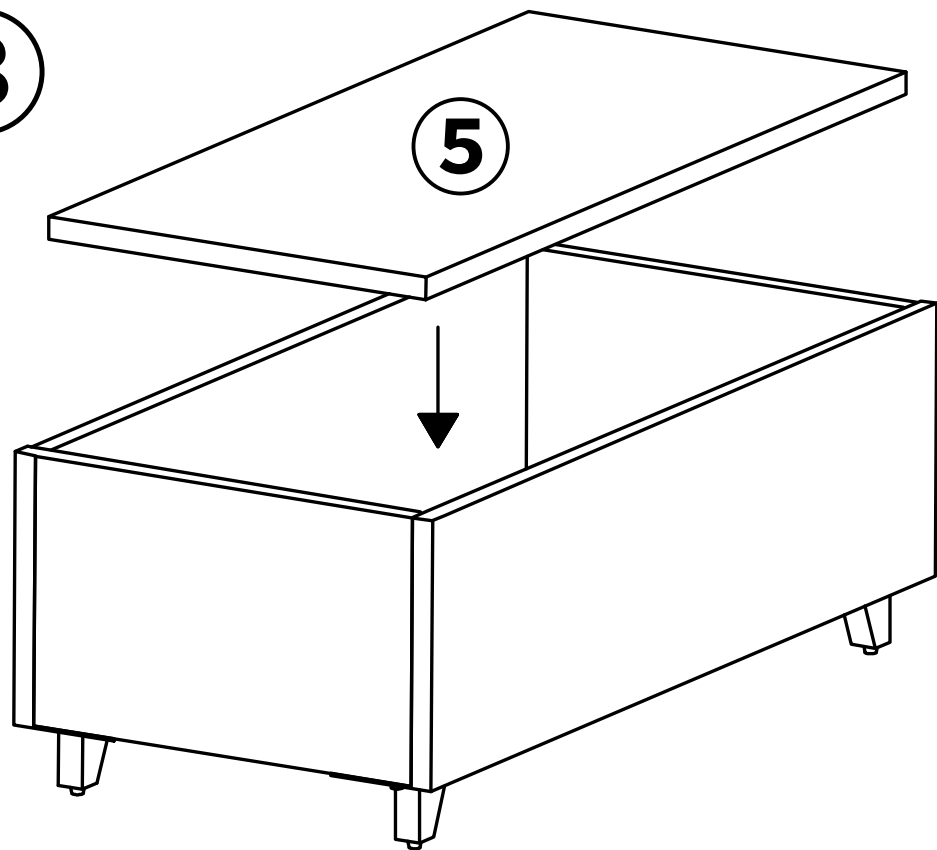
Connect panels (1) and (2) to the two (3) panels using screw (A) and washer (C) to form a sturdy metal frame.

2



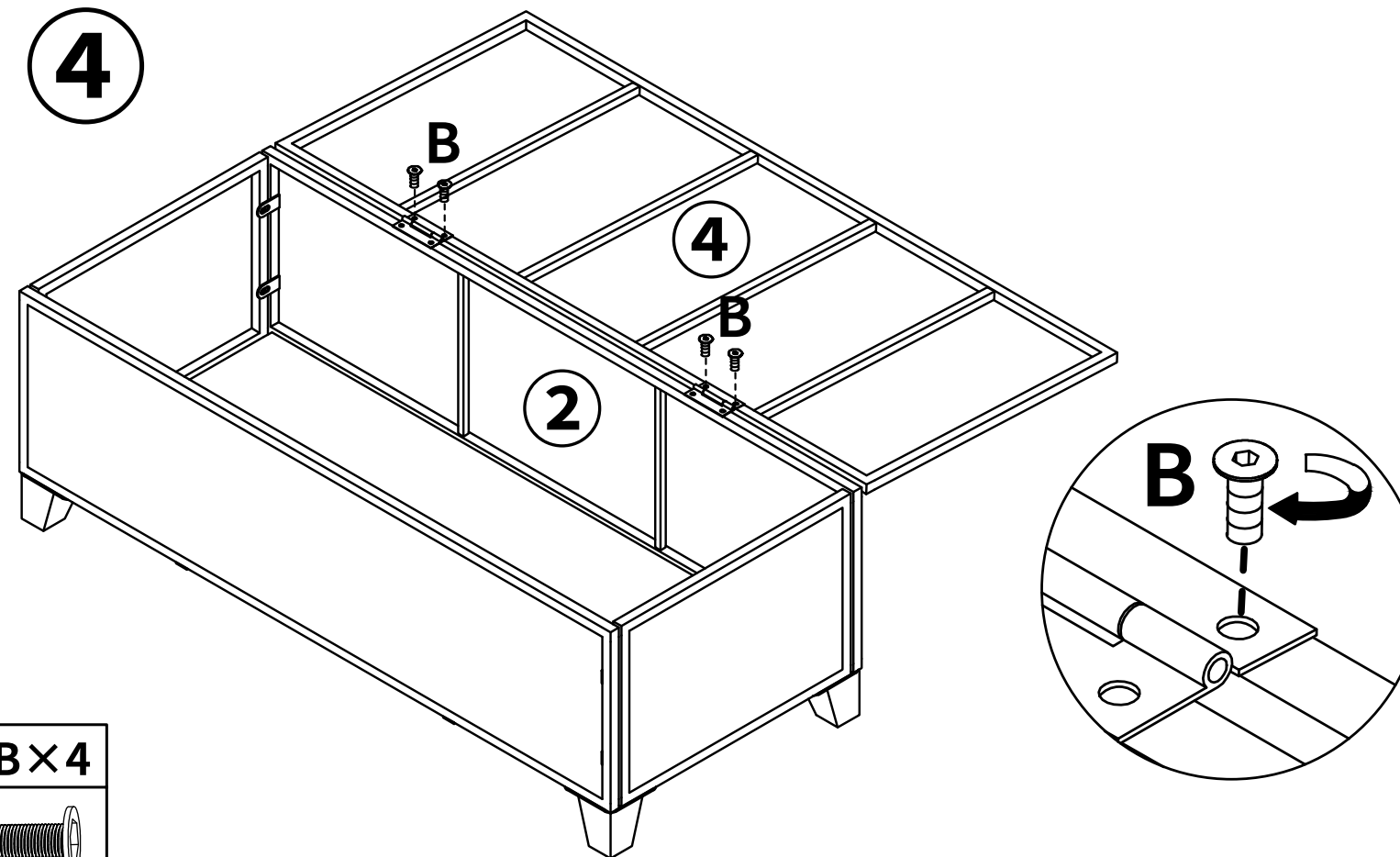
Attach the legs (7) to the frame using screw (A) and washer (C).

3

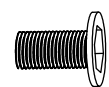


Flip the frame upside down and place the bottom board (5) inside to form a solid base.

4

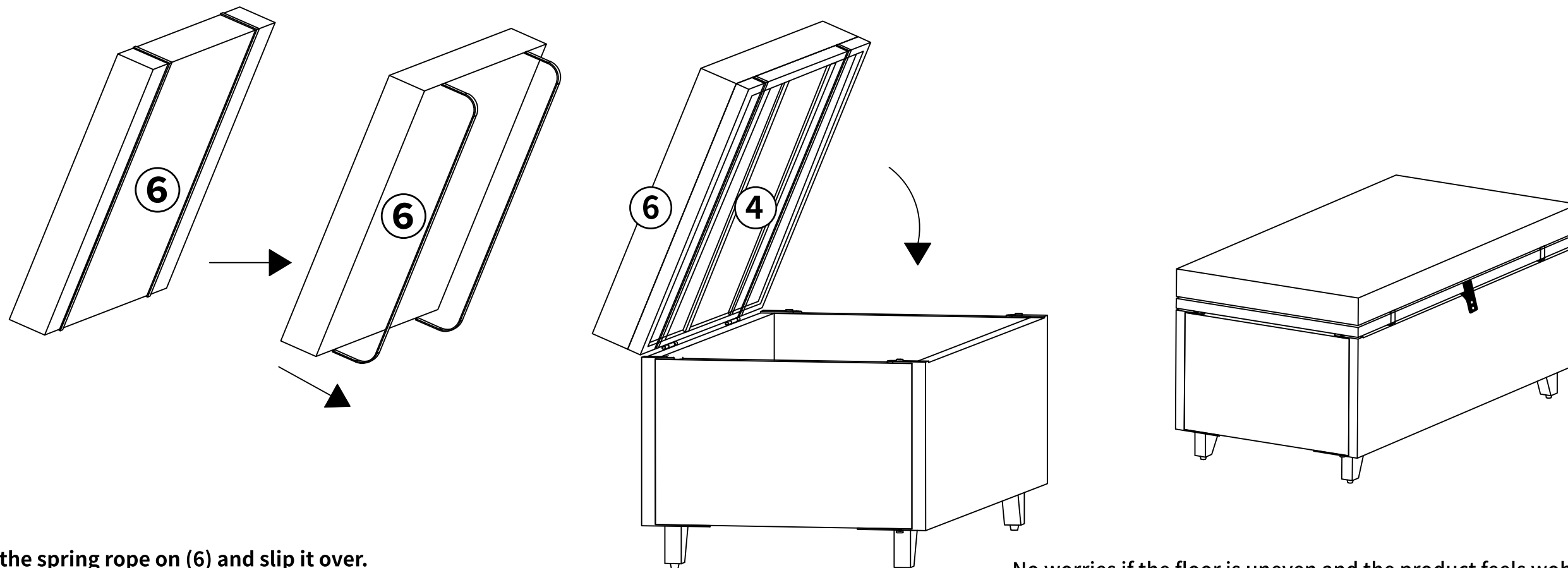


B x 4



Connect panels (2) and (4) by twisting screw (B) into the pre-drilled holes in panel (4) as shown.

5



Pull the spring rope on (6) and slip it over.
Your sturdy and stylish bench is now assembled.

No worries if the floor is uneven and the product feels wobbly,
simply rotate the leveling feet on the legs to stabilize it.