

47" TV Stand

NOTE:

The instruction booklet contains **IMPORTANT** safety information Please read and keep for future reference.

OUR BRAND

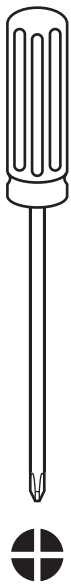
We have been dedicated to providing customers with quality products and exceptional service and has prospered into one of the nation's largest retailers of indoor and outdoor home décor. Every product is carefully selected to ensure they meet our standards as well as your standards. We believe quality should never be determined by price which is why we are committed to providing high end merchandise at the absolute lowest cost.



Estimated Time for Assembly

45-50 mins

Tools Needed (Not included)

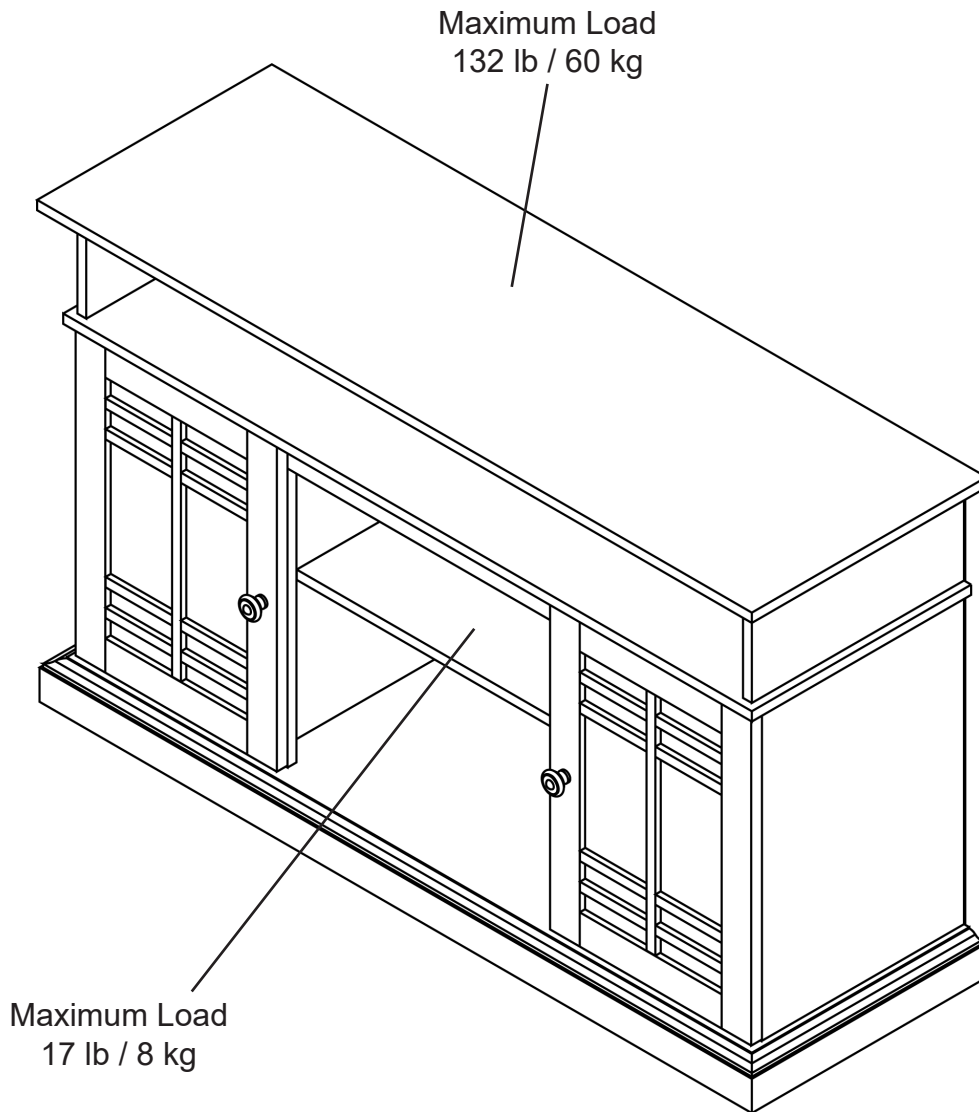




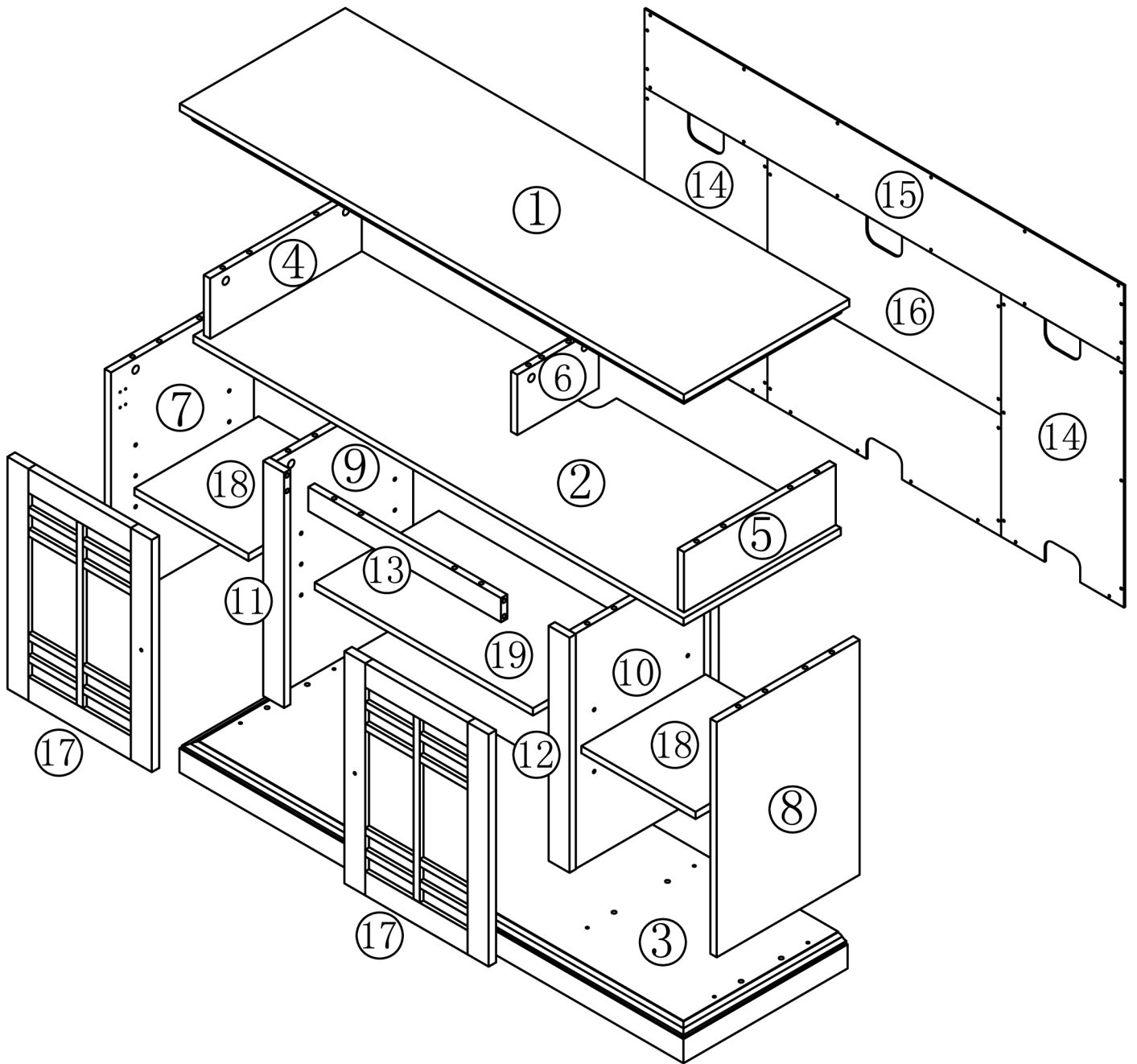
Weight Limitation

17 Shelf

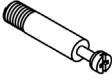


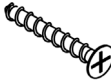
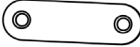


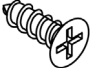
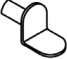

132 Top



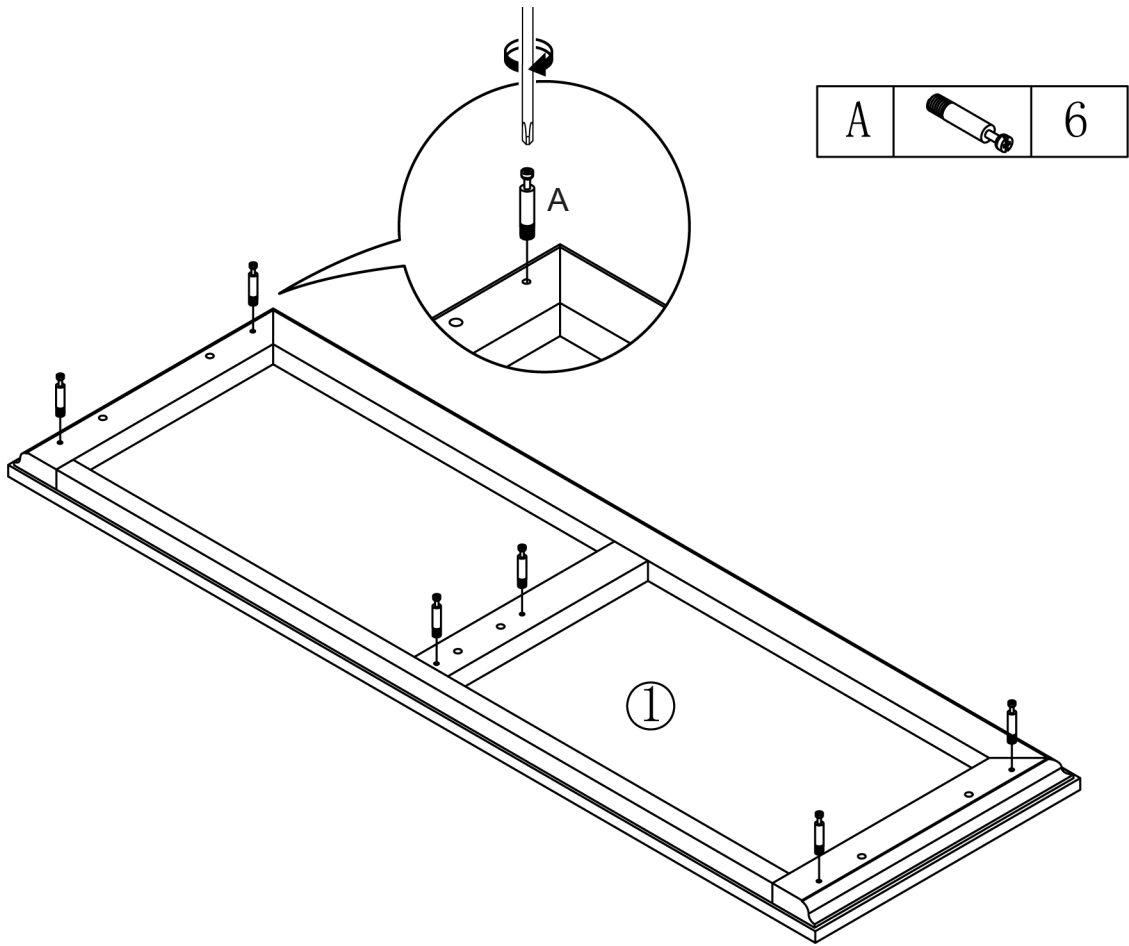
PACKAGE CONTENT



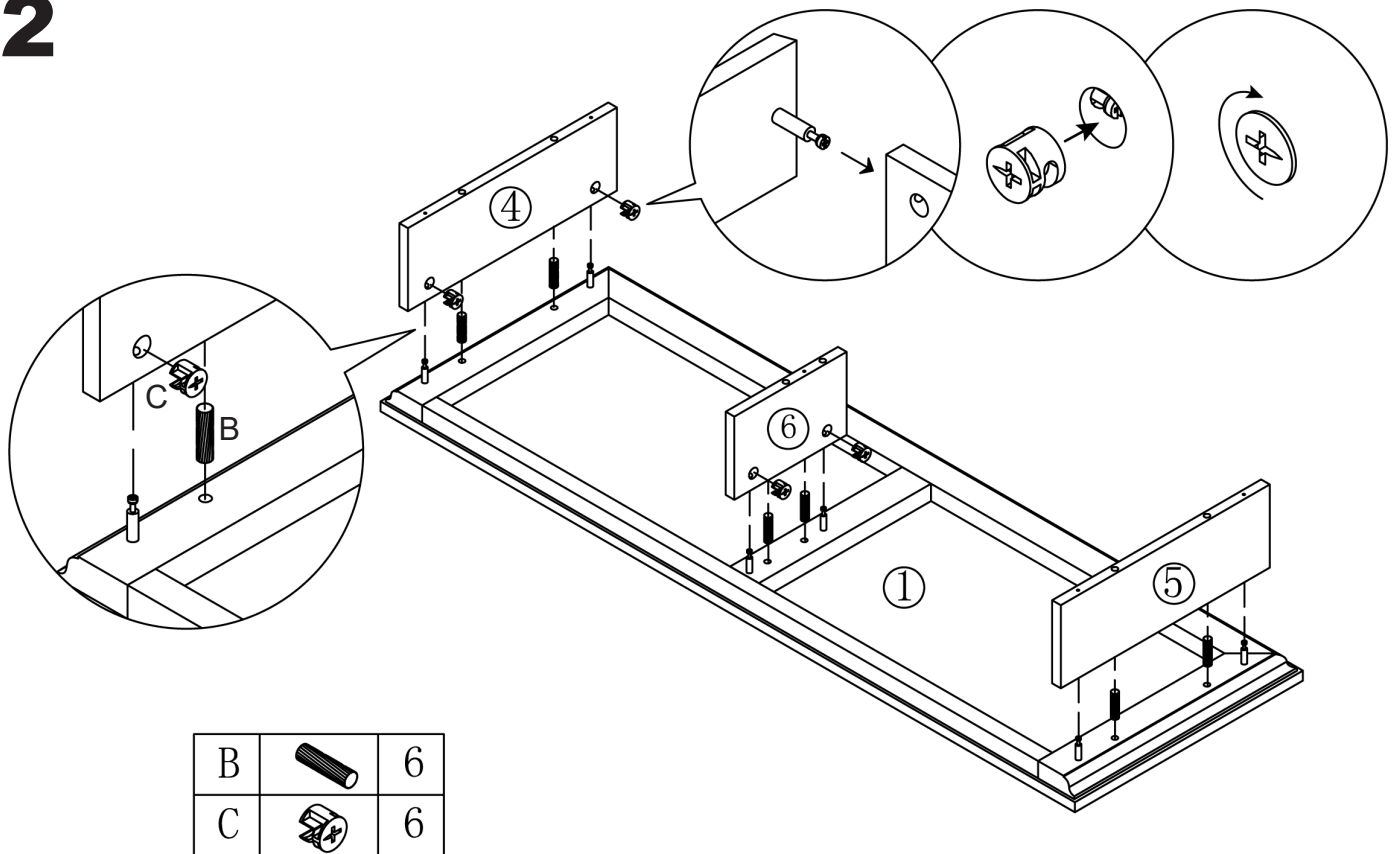
CODE	DESCRIPTION	QTY
1	Top Panel	1
2	Middle Panel	1
3	Case Panel	1
4	Upper Left Side Panel	1
5	Upper Right Side Panel	1
6	Center Support	1
7	Lower Left Side Panel	1
8	Lower Right Side Panel	1
9	Lower Left Middle Vertical Panel	1
10	Lower Right Middle Vertical Panel	1
11	Left Insert Baffle	1
12	Right Insert Baffle	1
13	Middle Insert Baffle	1
14	Lower Back Side Panel	2
15	Upper Back Panel	1
16	Lower Middle Back Panel	1
17	Door	2
18	Side Shelf	2
19	Middle Shelf	1

CODE	PICTURE	DESCRIPTION	QTY
A		Cam Bolt	20
B		Wood Dowel	38
C		Cam Lock	20
D		Flat Head Screw	13
E		Metal Plate	2
F		Round Head Screw	48
G		Door Hinge	4
H		Door Hinge Screw	24
J		Shelf Holder	12
K		Door knob	2



1

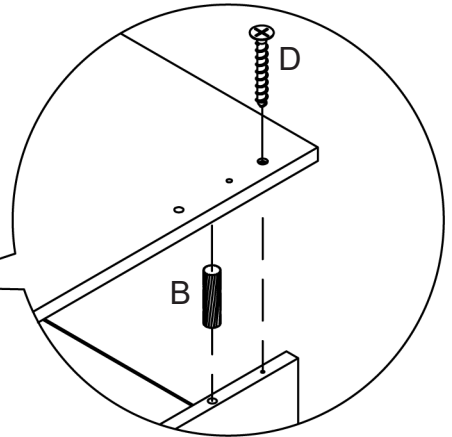
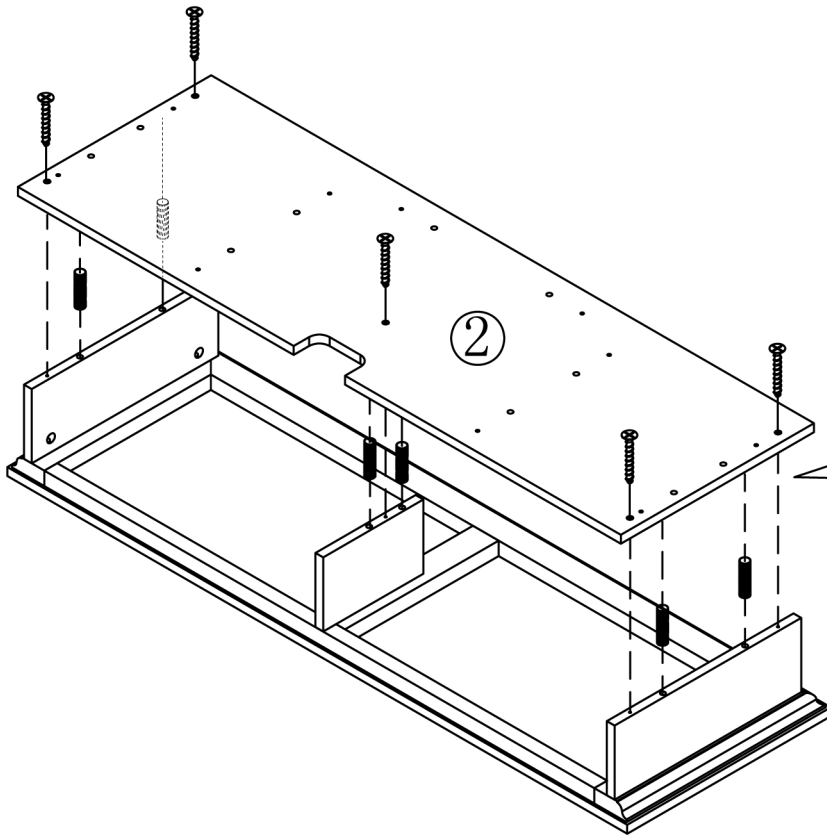


2

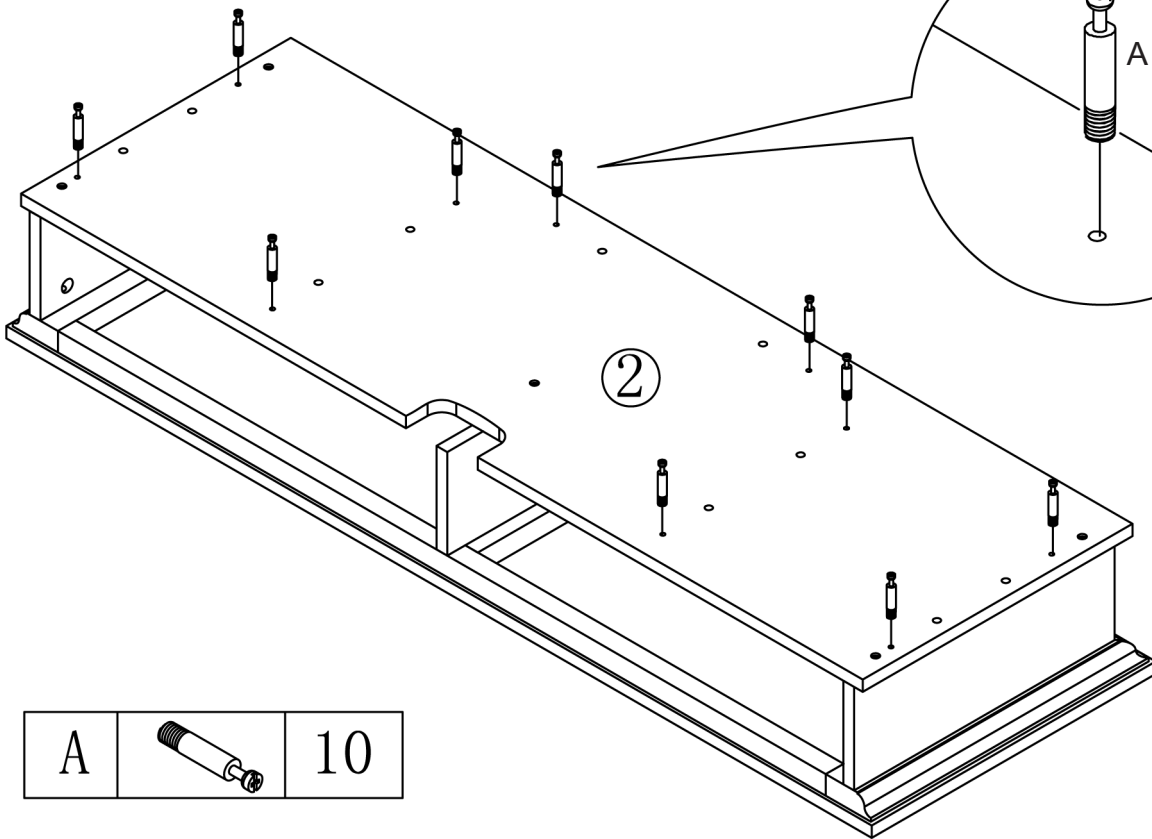
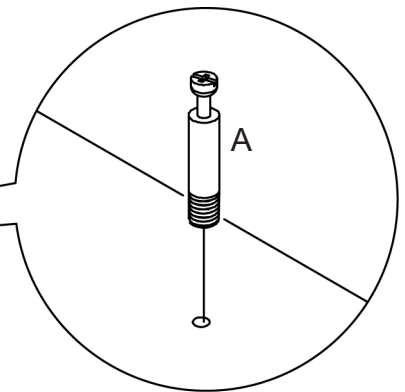



3

B		6
D		5




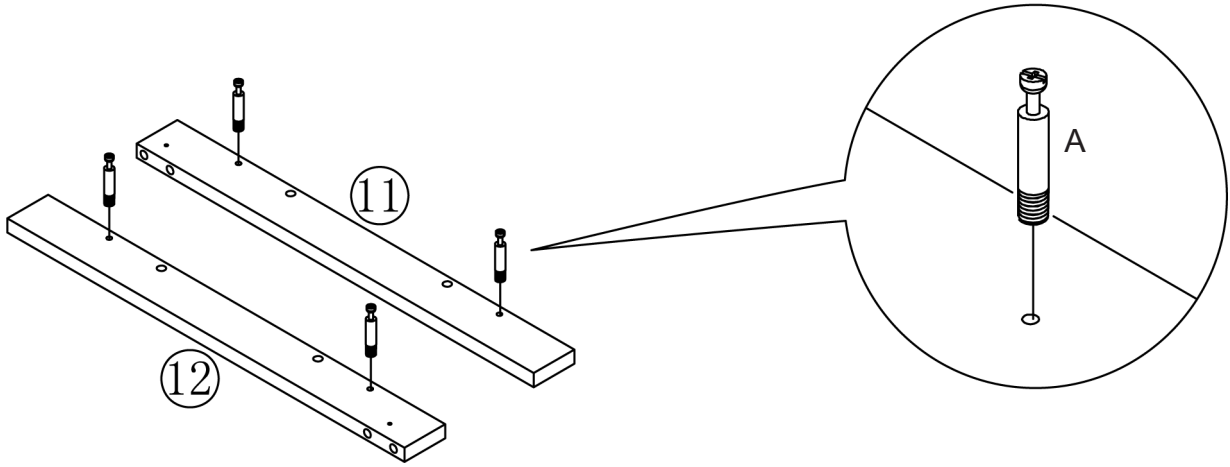
4



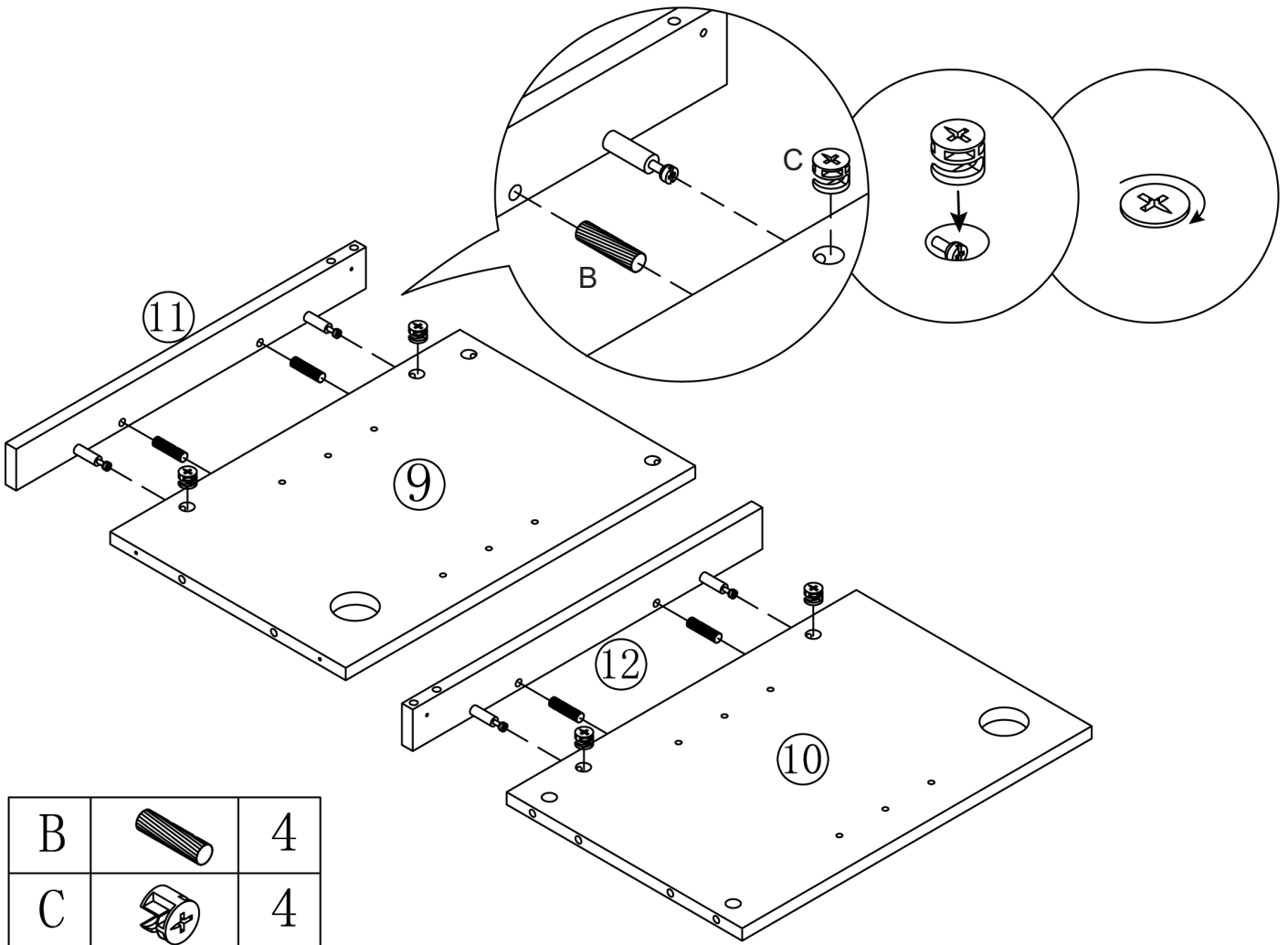
A		10
---	---	----



5

A		4
---	---	---




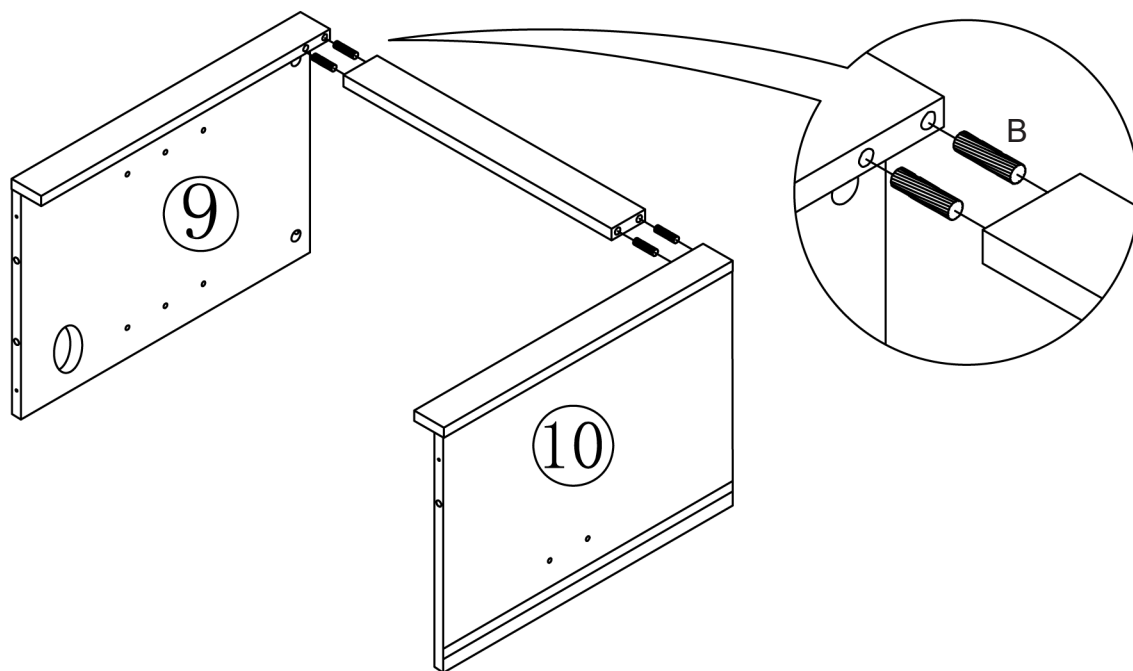
6





B		4
C		4

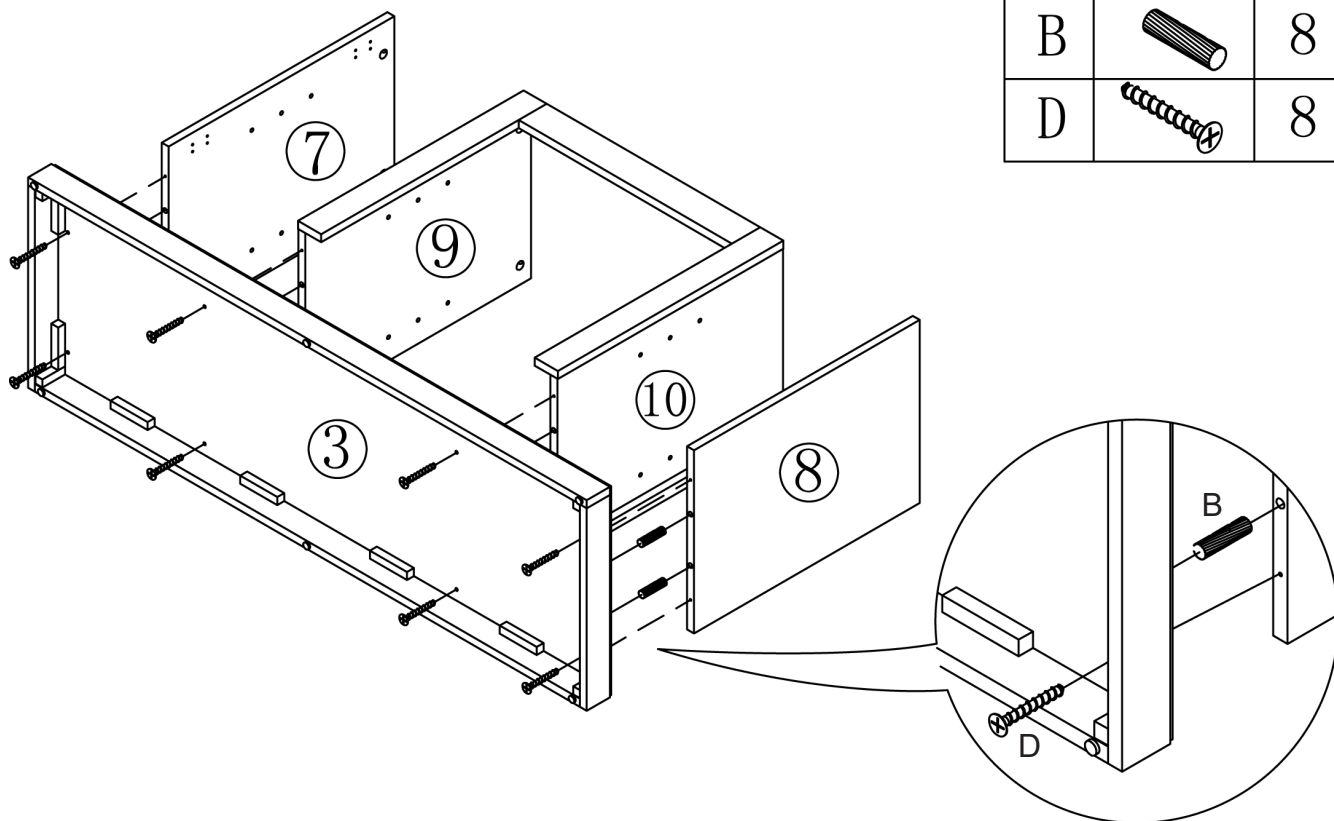
7

B		4
---	---	---

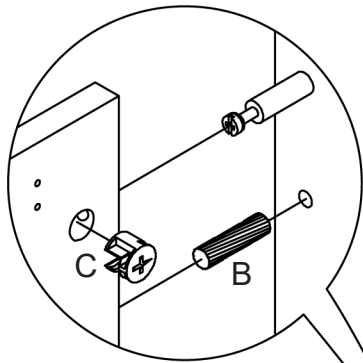




8

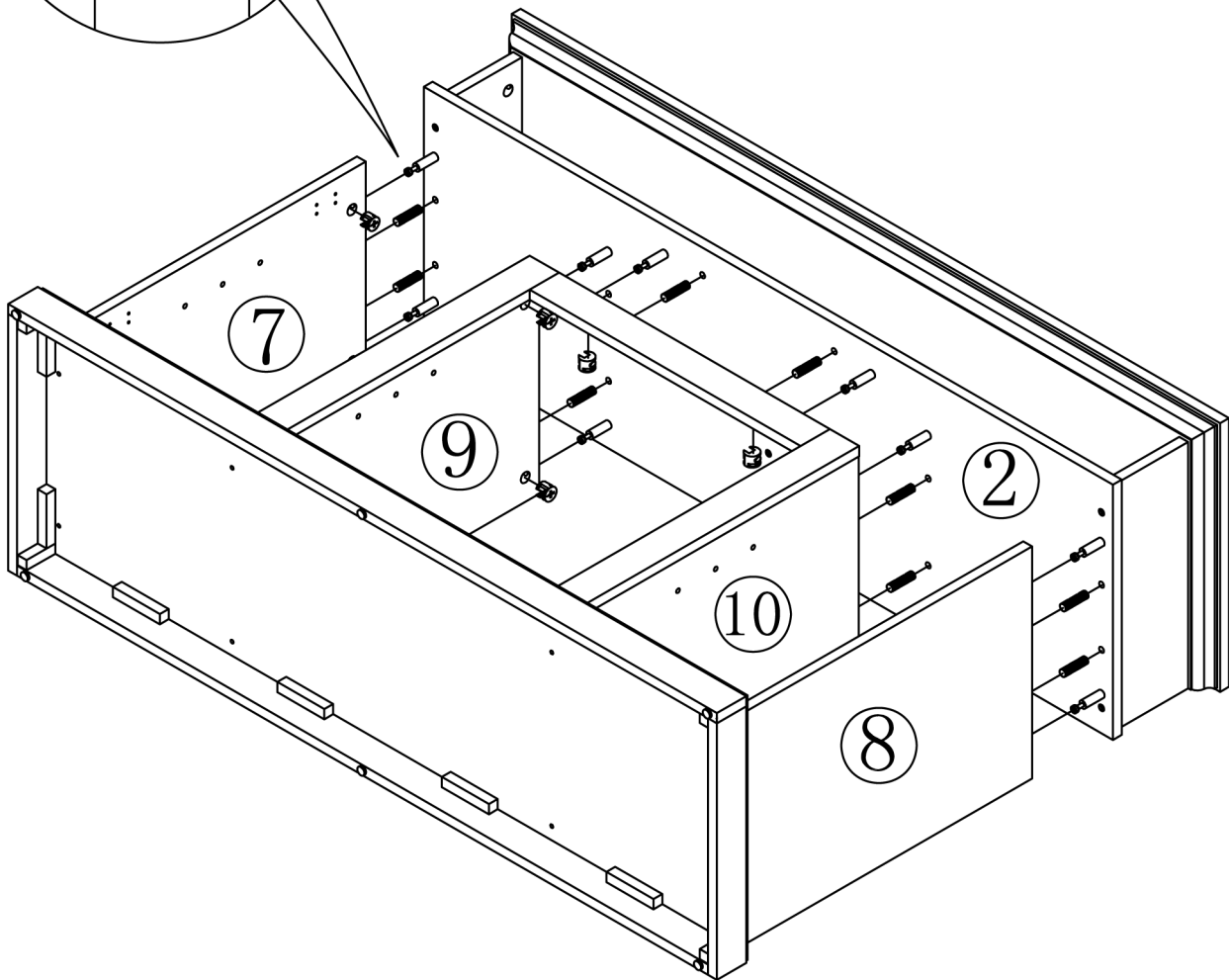
B		8
D		8



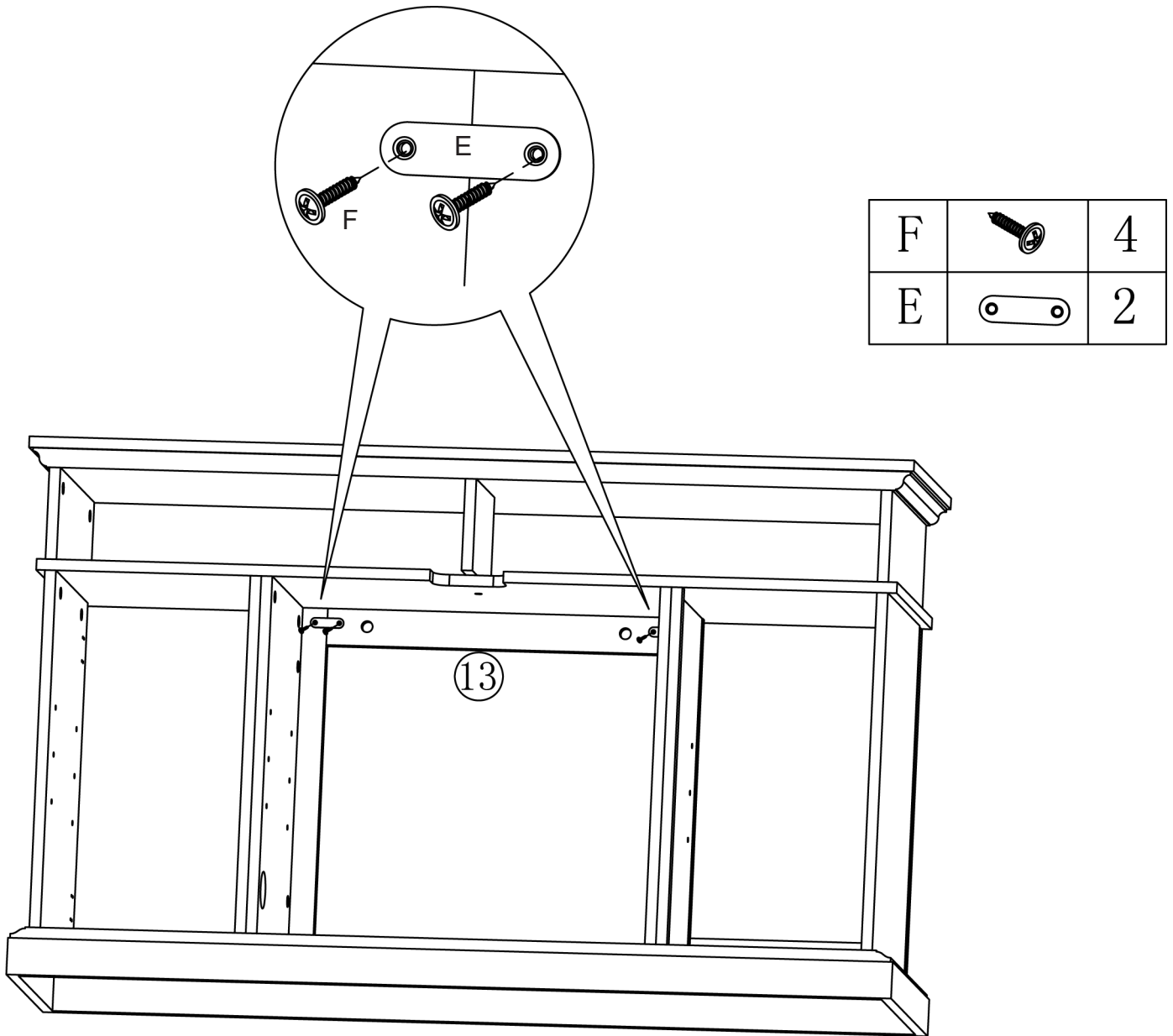
9



B		10
C		10

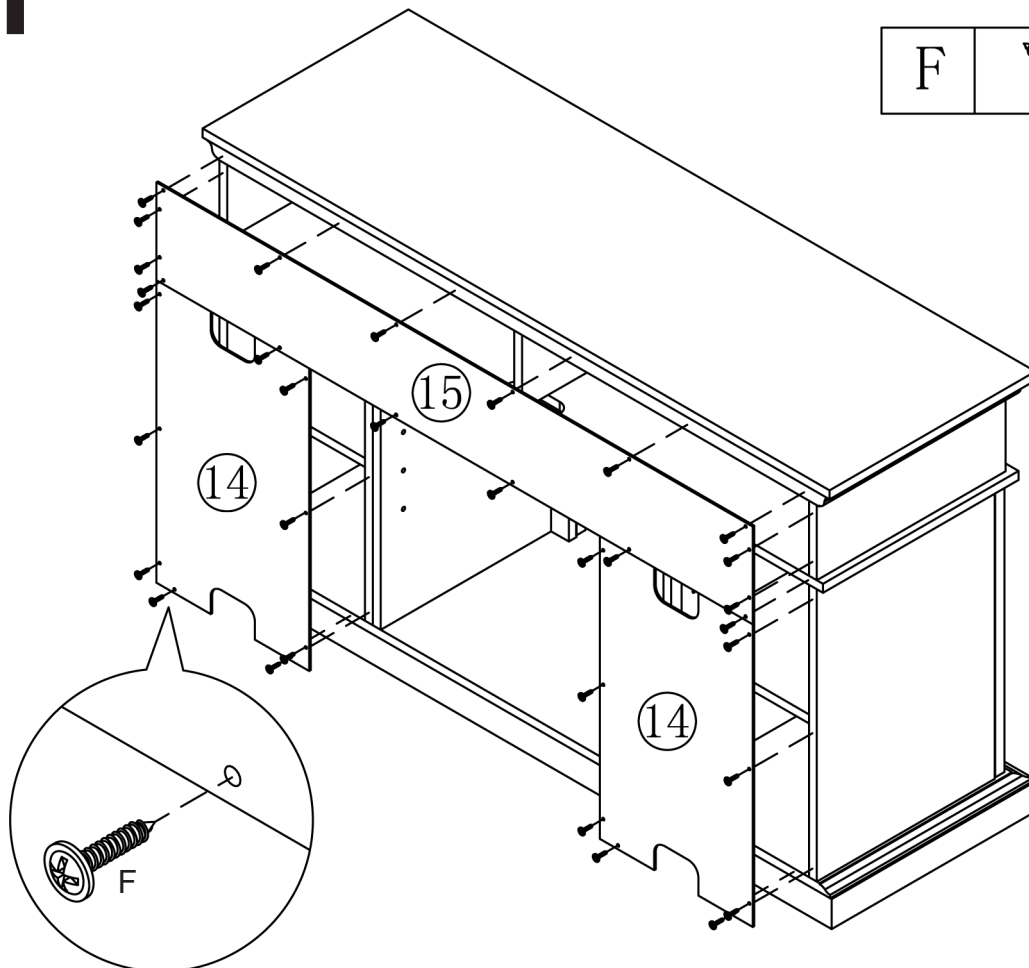


10


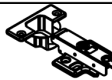



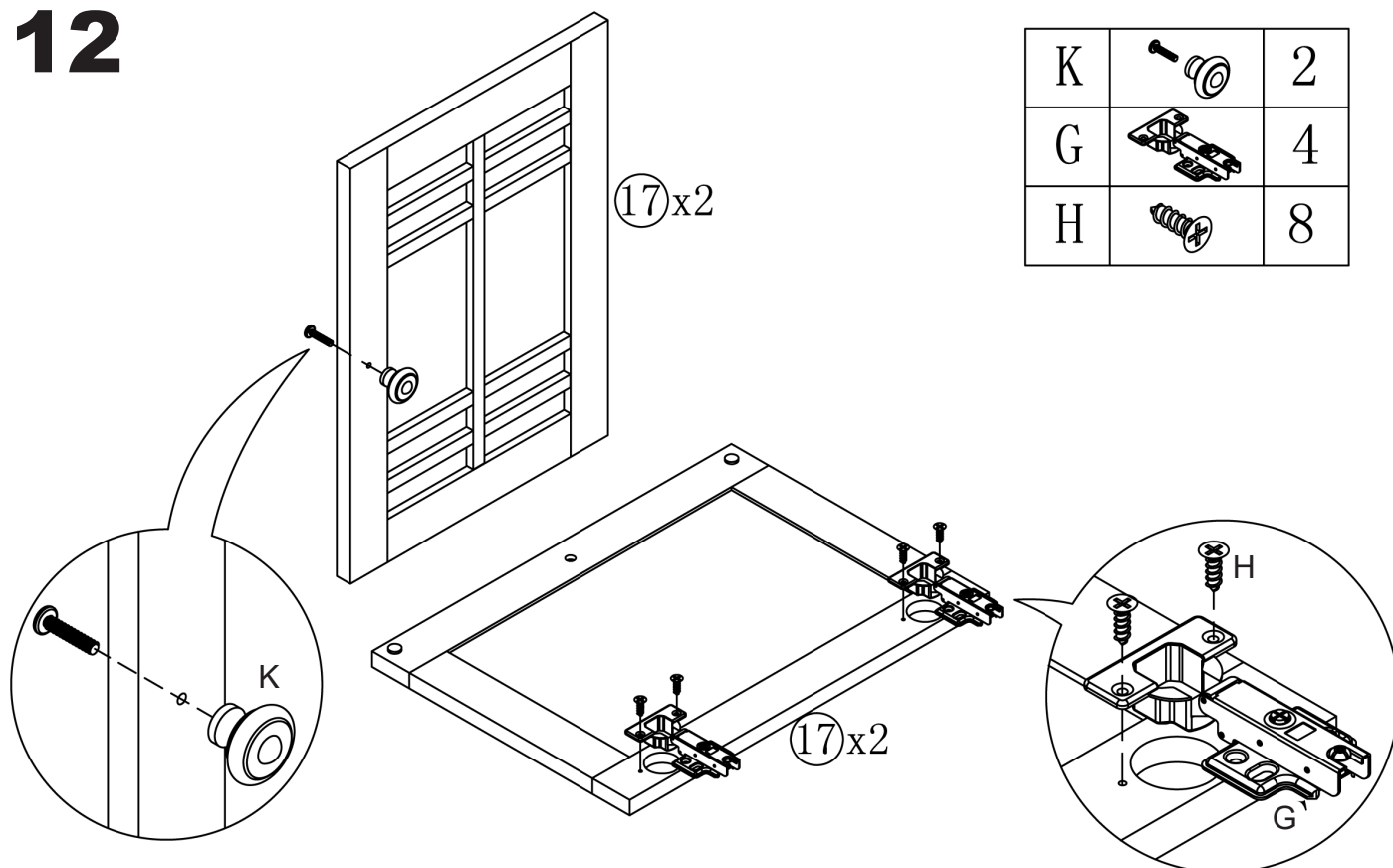
11

F		32
---	---	----




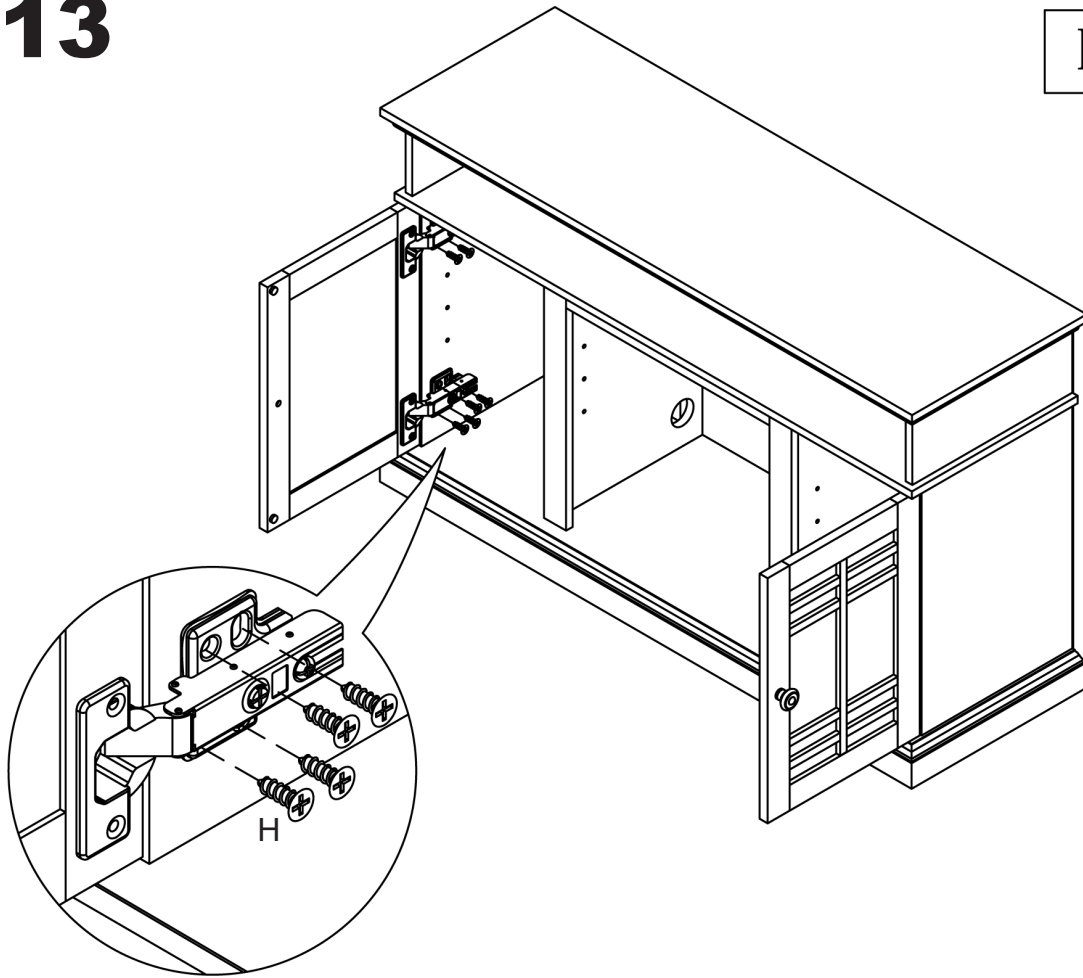
12

K		2
G		4
H		8

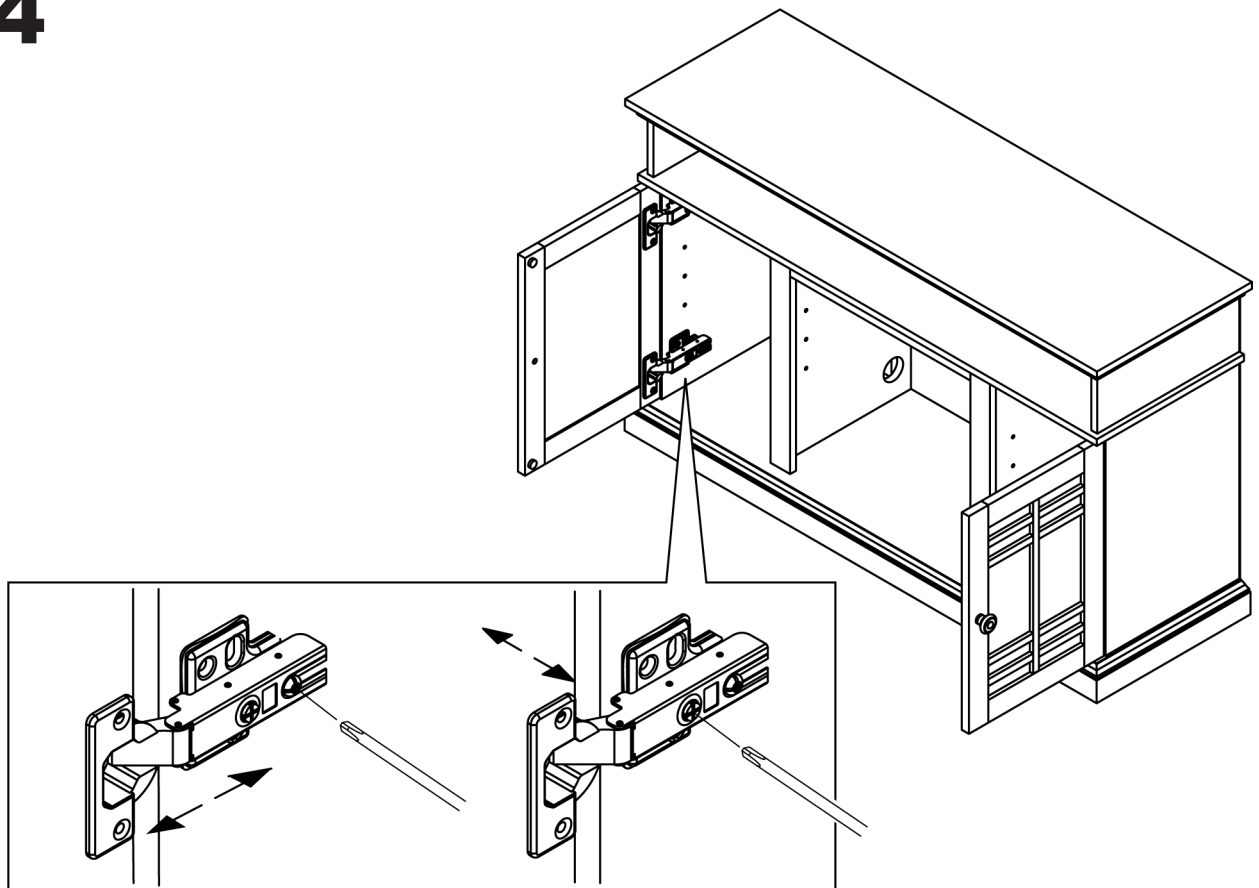


13

H		16
---	---	----

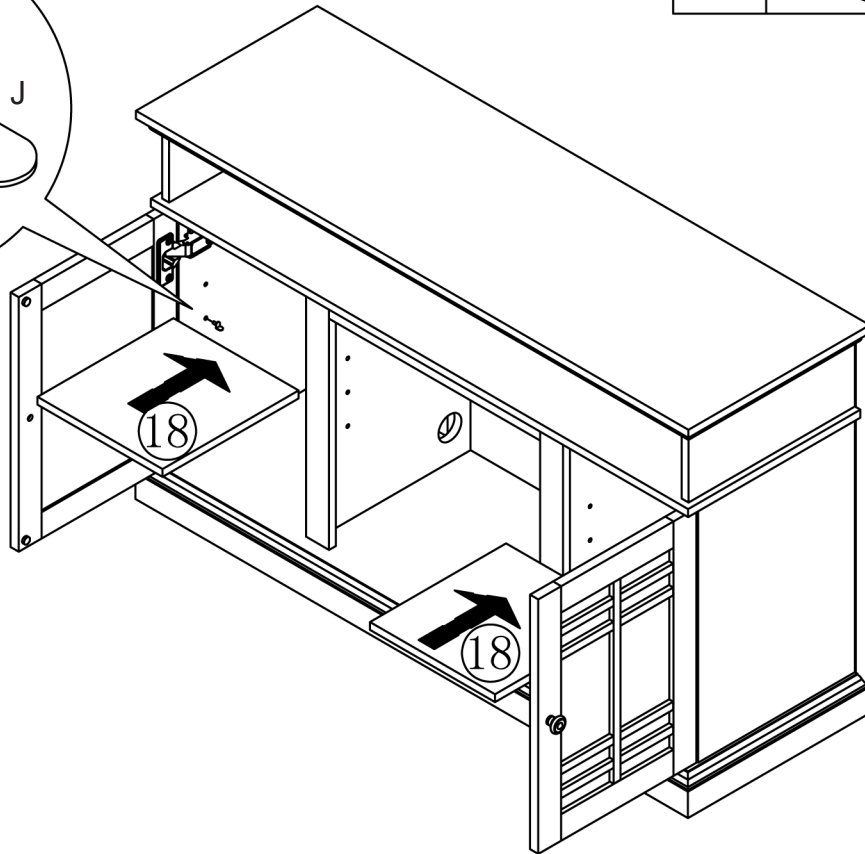
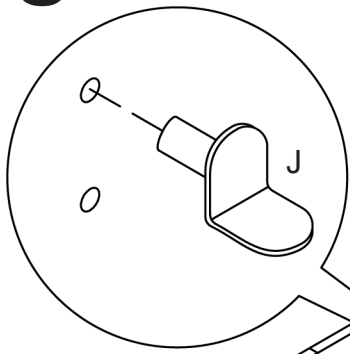


14

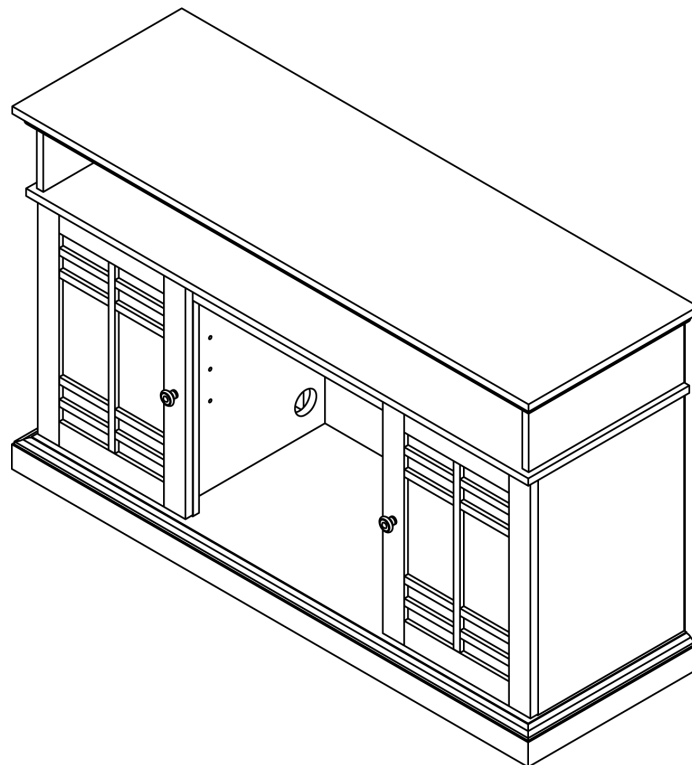


15

J		8
---	---	---



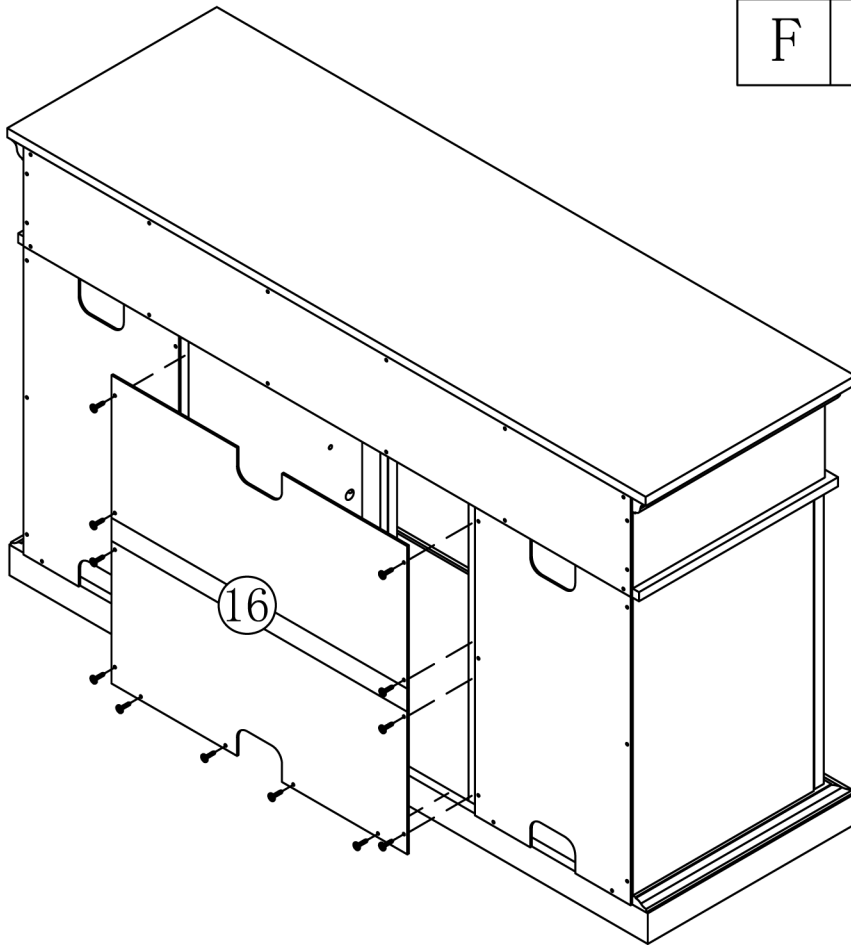
16



If you Intended to use this product as fireplace mantel, do not proceed to the next step.

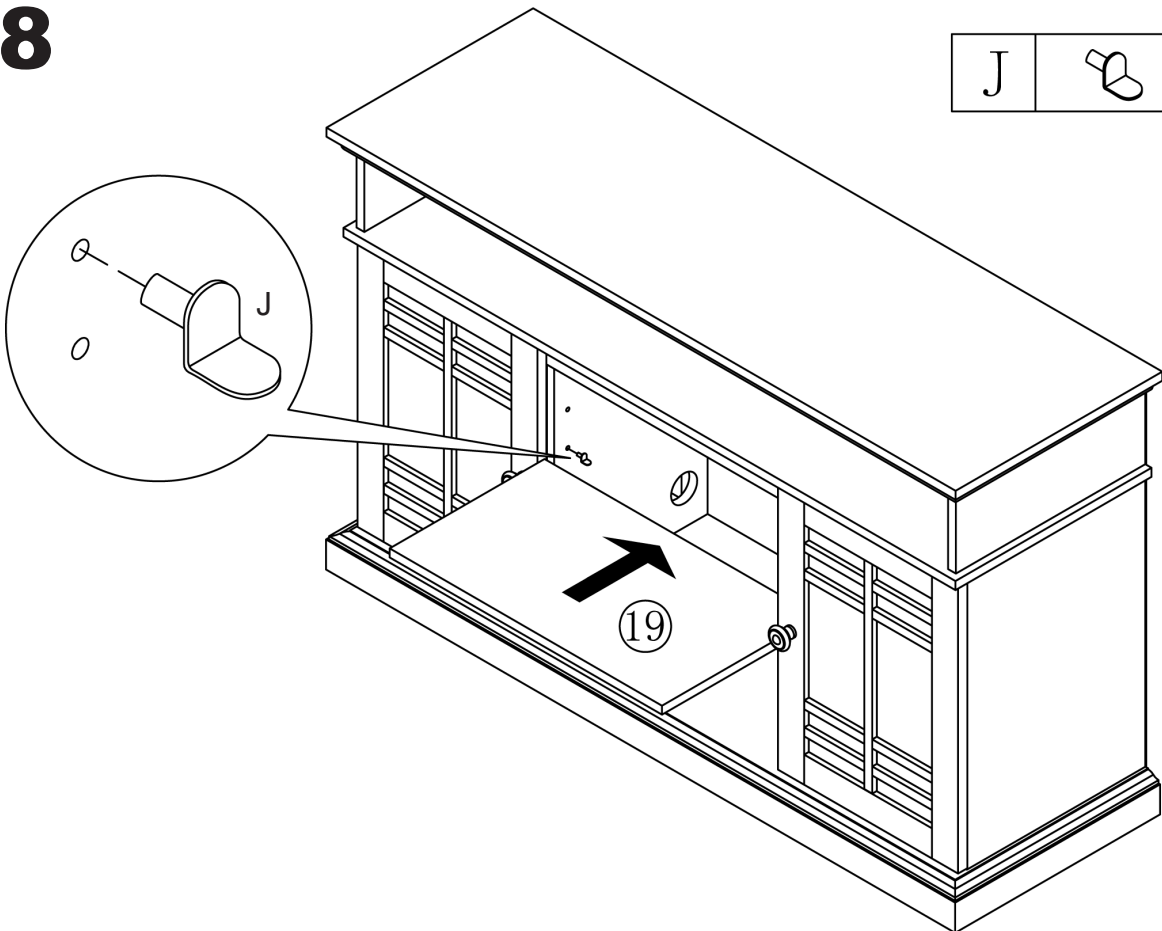
17

F		12
---	---	----

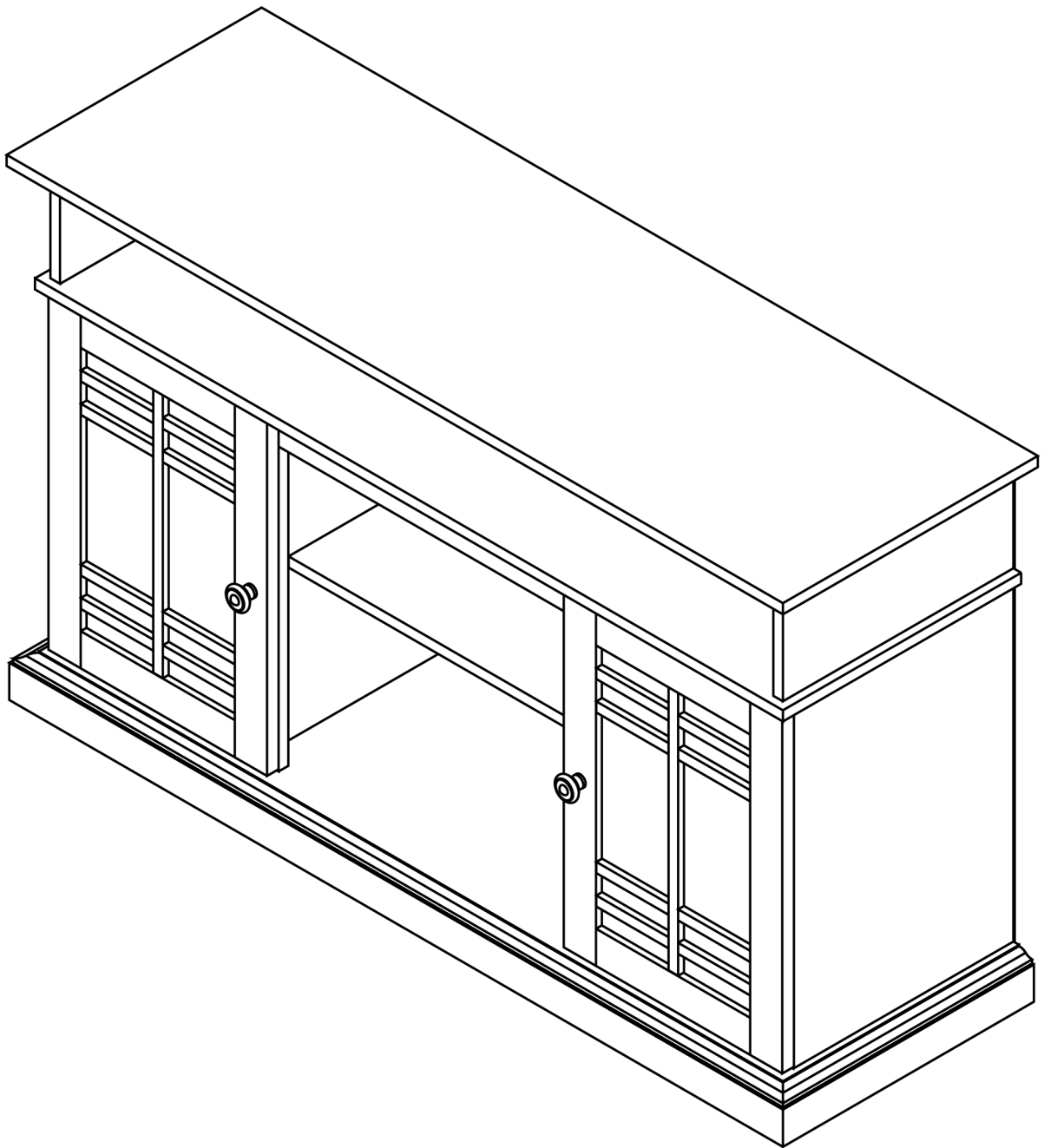


18

J		4
---	---	---

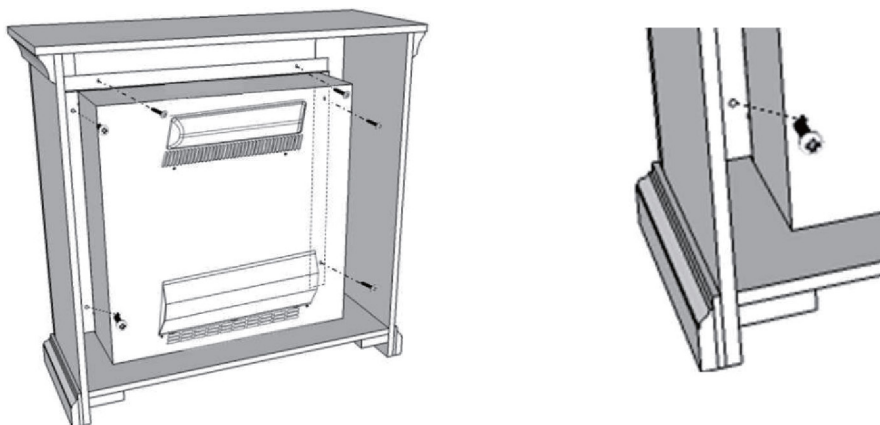


19



FINISH!

OPTIONAL ASSEMBLY



FIREPLACE INSTALLATION

If you decide to install the fireplace into the mantel, carefully set the unit from the back of the mantel and center it in the opening.

Check the alignment and attach the unit to the mantel by inserting screws through the drilled holes on the trim to the mantel.

NOTE: Do not attempt to install the unit from the front of the mantel. It will not fit.

Warranty

Our products come with a 1 year warranty from the date of purchase. In any event that the product arrives damaged or missing parts, we are more than happy to provide you with replacement part(s).

Register your product on our website to enjoy extended warranty!!

Easy Return

We work hard to make sure order arrives safe and secure, but rest assured we will take care of it if it is not up to standard. If you need replacement parts, Contact us or email us, we will send you replacements with no hassle.



Contact Us



Replacement



You

You don't have to worry about re-packaging / schedule pick-up.

**We hope you enjoy your new furniture!
Share your photos on Instagram and tag us.**