



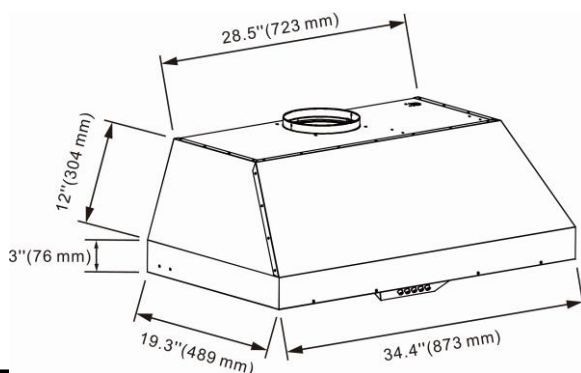
Size	Push Button	Small Control	Large Control	Baffle Filter (replacement)	NON-DUCTED FILTERS
36in.				BFIL1114 for 36"	WRHF004S2

Specifications

Description	36" 600 CFM Max Velocity Ducted Insert Range Hood
Mount Type	Insert
Motor	Dual
Size	34.4" W x 19.3" D x 12" H
Duct Dimension	6" or 7"
Product Weight	27.36 lb.
Exhaust Method	Ducted
Exhaust Location	Top
Power Source	Plug in
Voltage	110
Amperage	2.5 A
Residential Use	Yes
Commercial Use	No
Certification	ETL (compatible w/UL and CSA)
Filter	Baffle Filters
No. of Fan Speeds	3
Speed Control Type	Push Buttons
Max. Sound Level	5.5 sones
No. of Lights	2 LED
Bulb Wattage	2 W
CFM	600 (Max Velocity), 500 (Lab Test)
Compatible Ductless Filter	N/A
Installation Hdwe. Incl.	Yes

Warranty

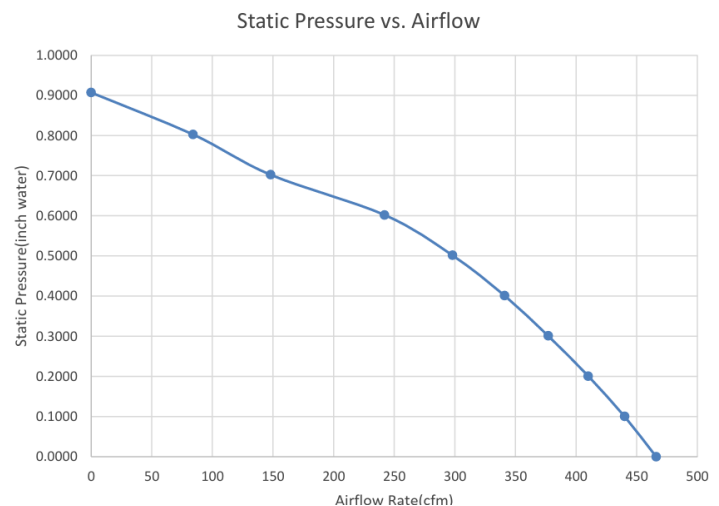
2-Year Limited on parts



Scene Display



Plot of Static Pressure vs. Airflow



* Max velocity CFM of blower measure in open air environment*



TEL: 630-401-8050
E-Mail: support@winslyn.com

ADD:1850 East Fabyan Parkway Batavia, IL 60510

Website: <https://www.winslyn.com>
Company: Winslyn Industries, LLC