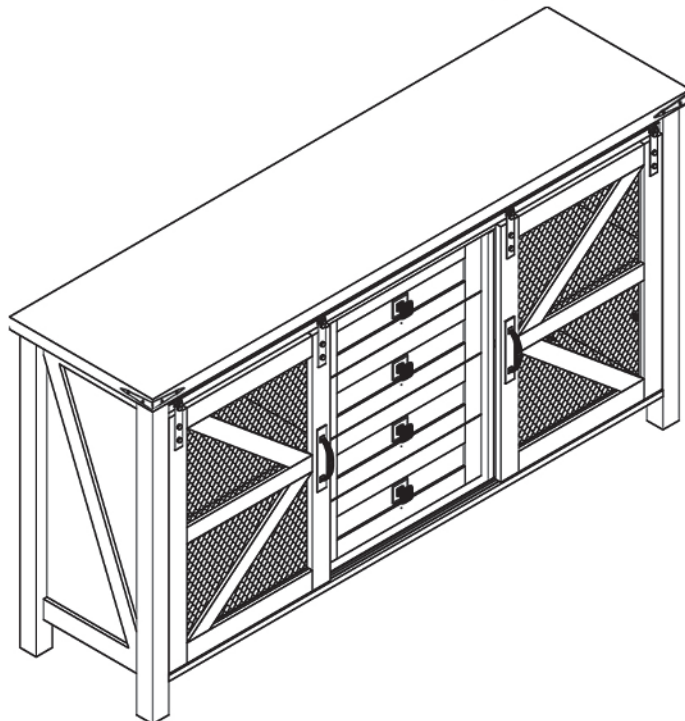
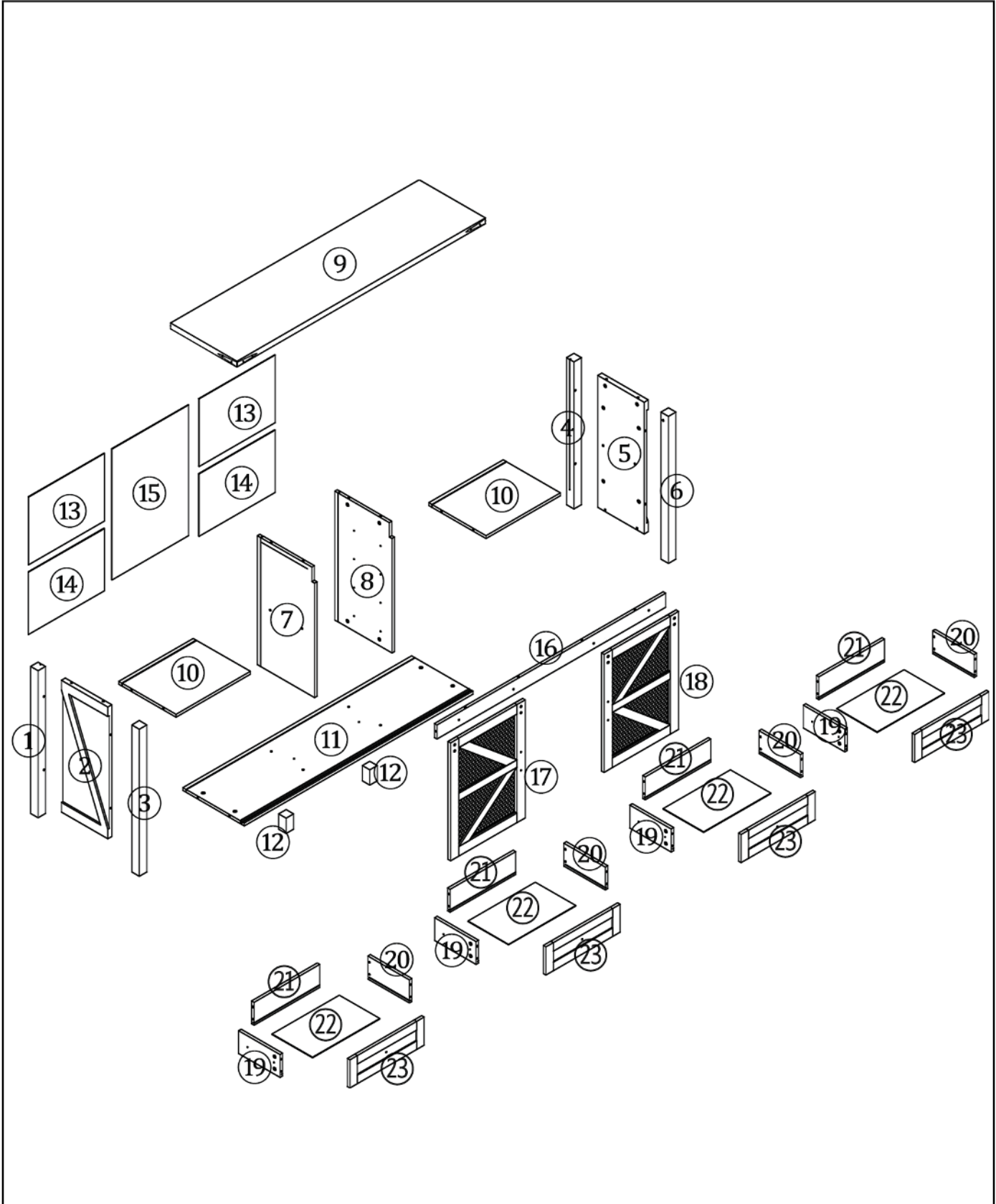



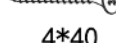
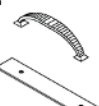













ASSEMBLY INSTRUCTION

- Please follow the instructions to assemble the items correctly.
- Please ensure the safety of the glass when assembling.
- Do not make the screws too loose or too tight.
- As shown in the figure, Insert the screw into the hole.
The arrow in the picture, Then rotate 90° or 180° clockwise.
- The accessory bag contains some small accessories, which should be kept away from children.
- The remaining parts are spare parts.
- Warm reminder white backboard please install the white side inward
- The operating instruction of RGB light is included in the package , please read it carefully when assembling

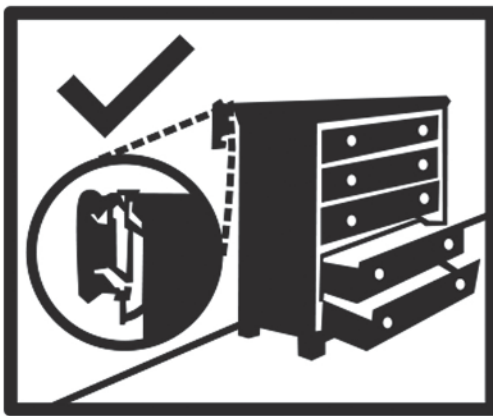
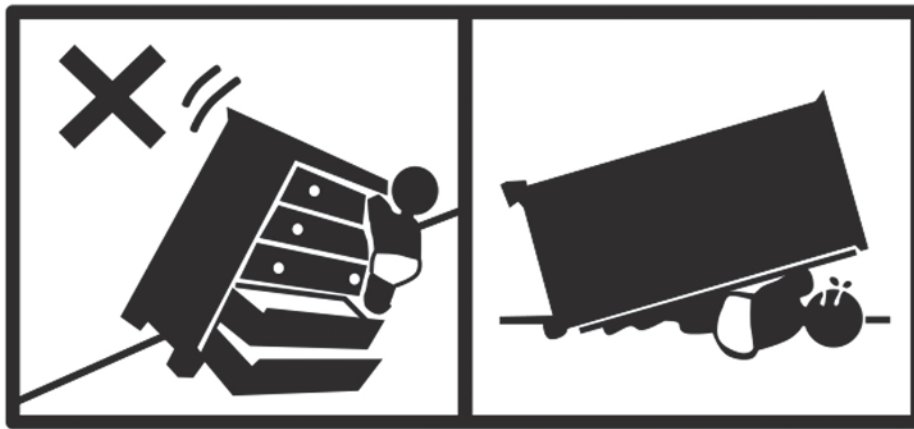




A  70pcs	B  70pcs	C  3.5*14 62pcs	C3  4*40 2pcs	F  2pcs	F1  4*22 4pcs	F  4pcs	F1  4*10 4pcs	K  8pcs
X  2pcs	Y  20pcs	Z  6*12 8pcs	Z3  6*30 4pcs	BD  4pcs	BE  4pcs	AM  Decorative paper 40pcs		



WARNING



Children have died from furniture tip over. To reduce the risk of tip over:

- ALWAYS secure this furniture to the wall using an anti-tip device.
- NEVER allow children to stand, climb, or hang on drawers, doors or shelves.

Do not defeat or remove the drawer interlock system.

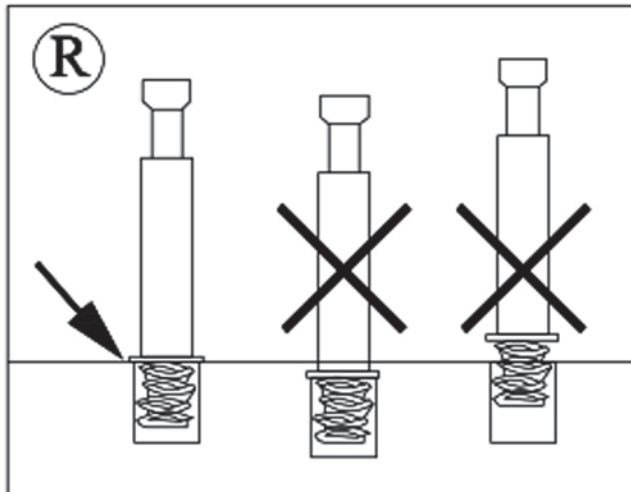
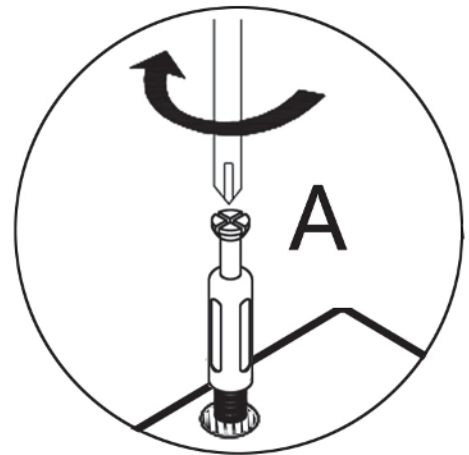
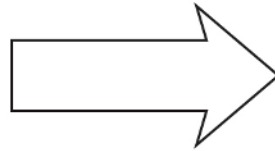
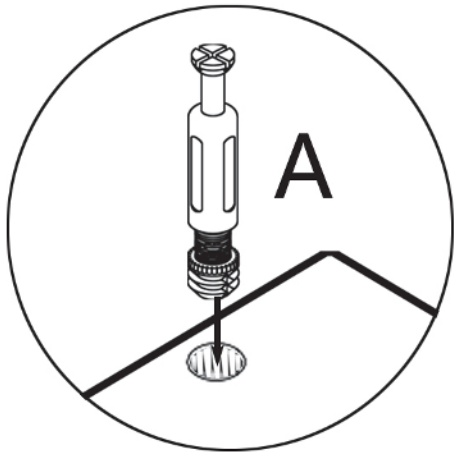
Place heaviest items in the lowest drawers.

NEVER put a TV on this furniture.



Hardware installation demonstration

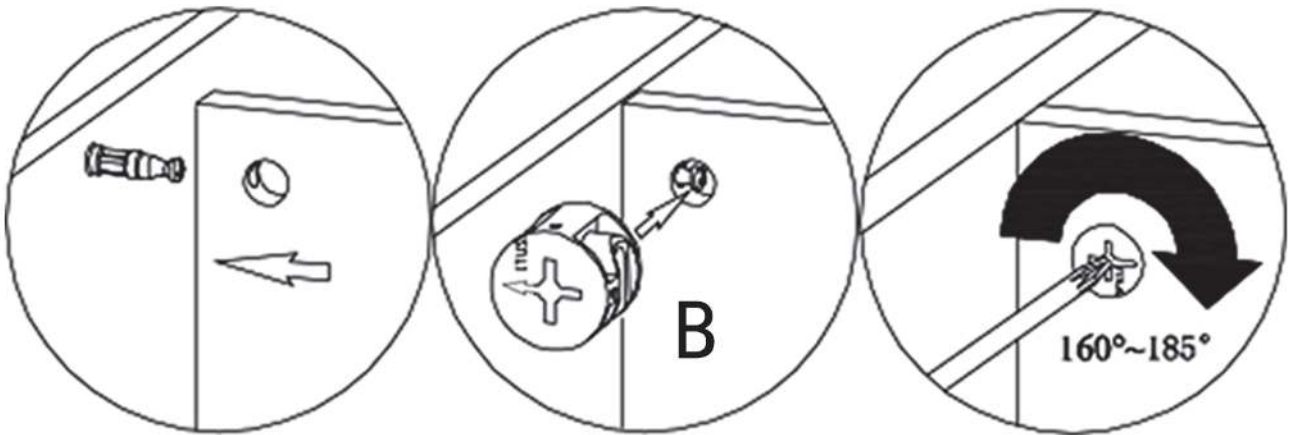
- Please make sure "A" hardware tightened and can't be pulled out





Hardware installation demonstration

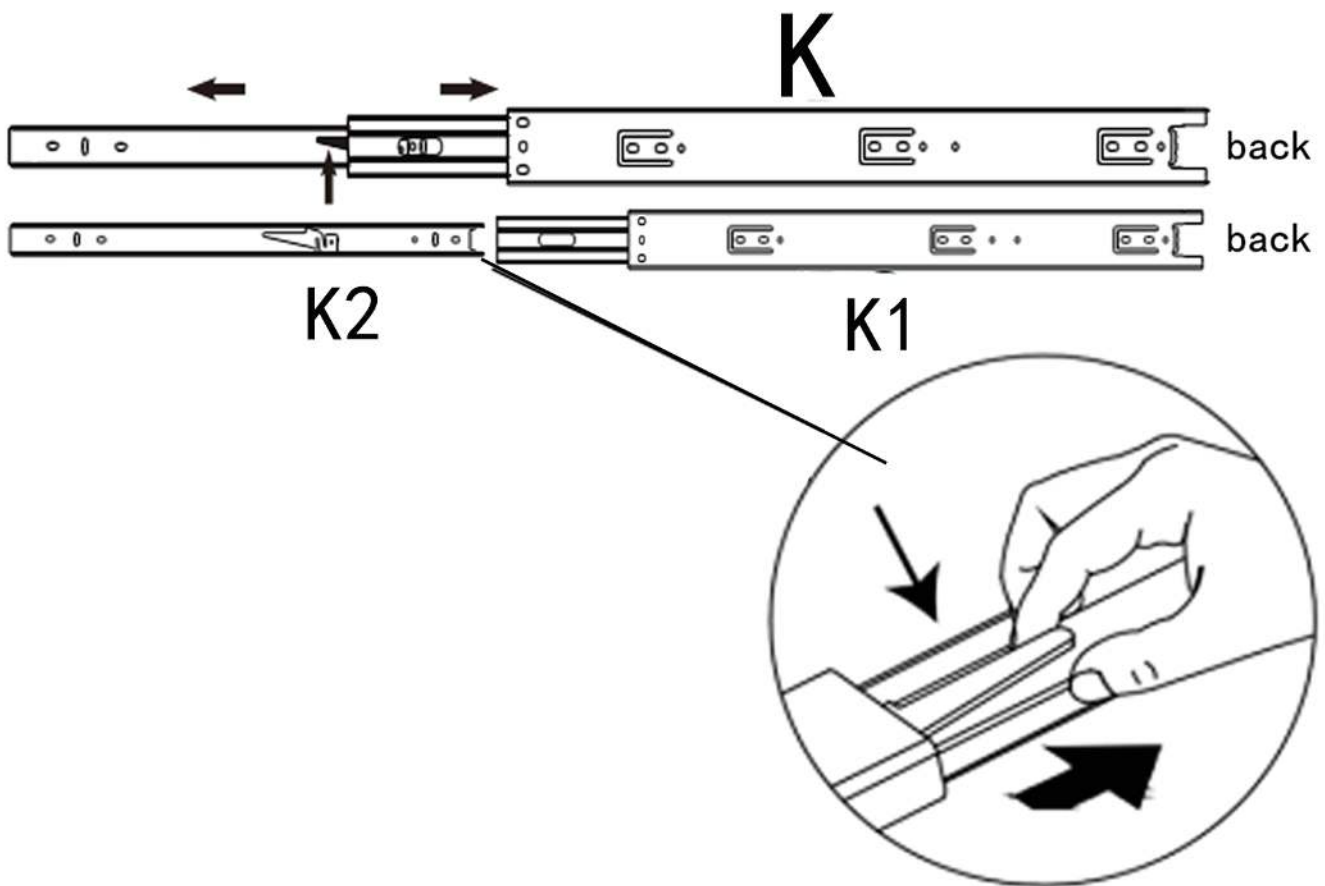
- When inserting cam ensure arrowhead on cam points toward to the hole on the panel edge





Hardware installation demonstration

- Before installing the drawer rail, you need to separate the K1 and K2 first.



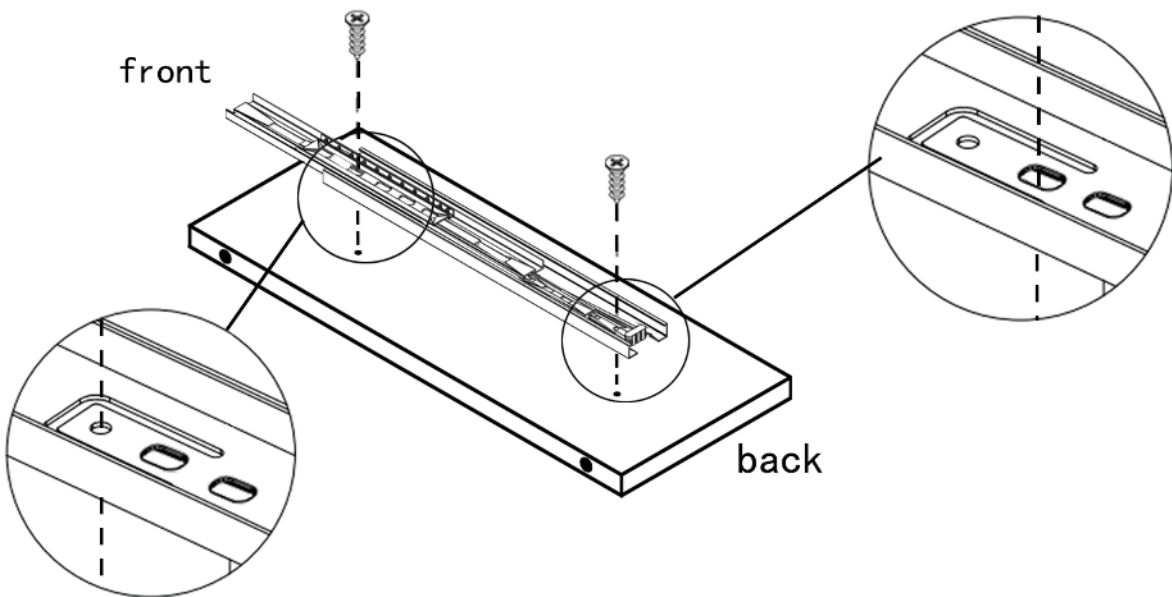
Warm Reminder: Press it and split



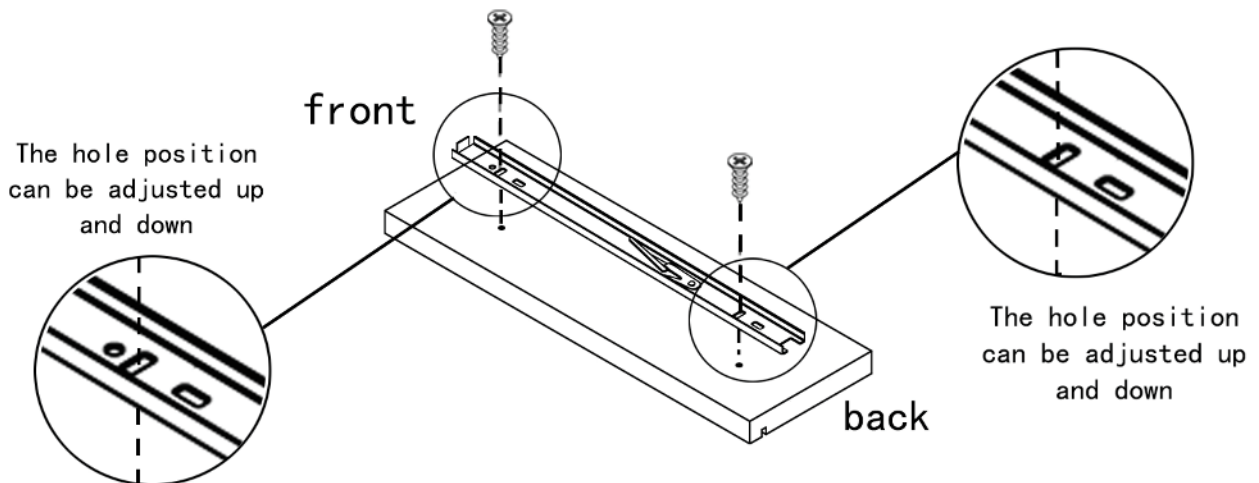
Hardware installation demonstration



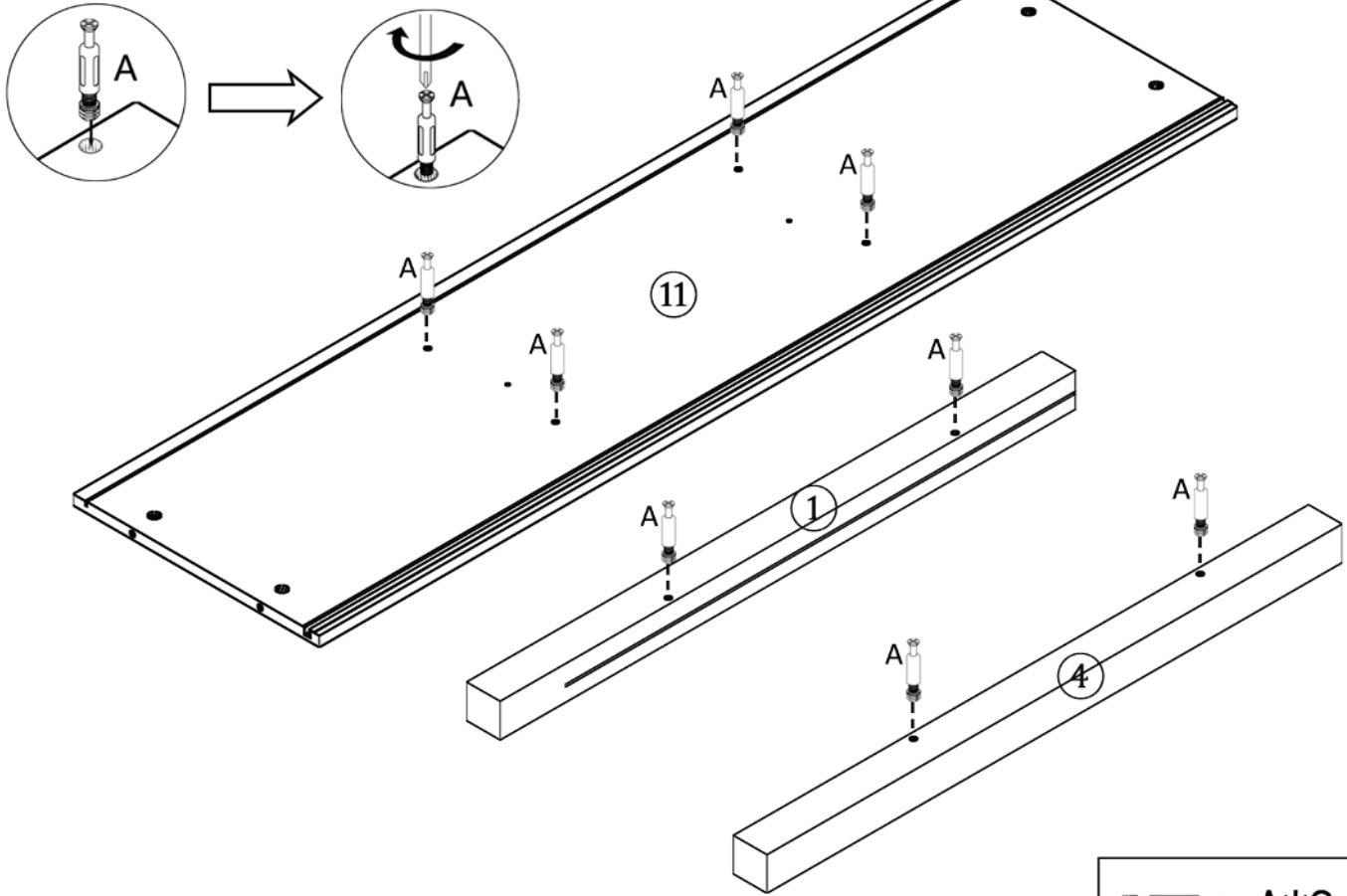
The first screw hole should correspond with the board location hole



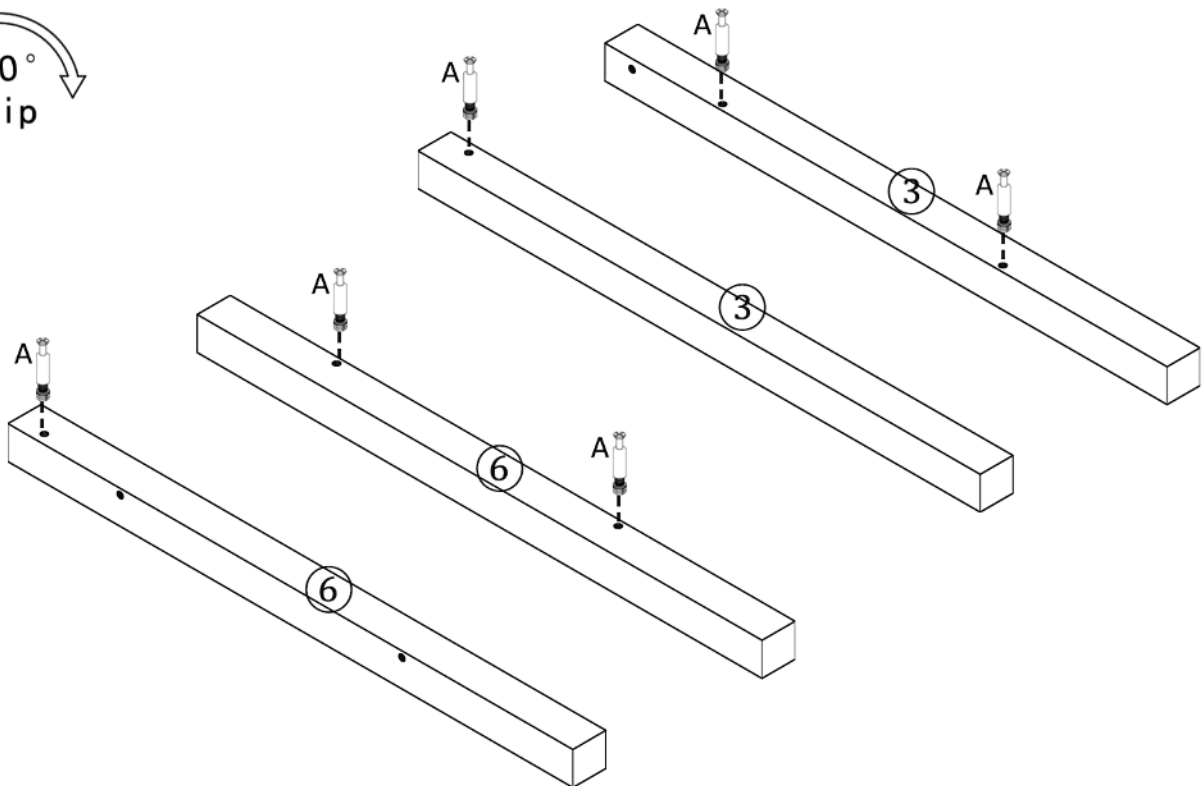
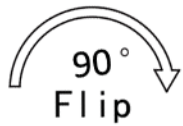
The first screw hole should correspond with the board location hole



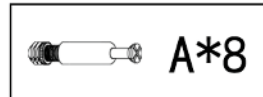
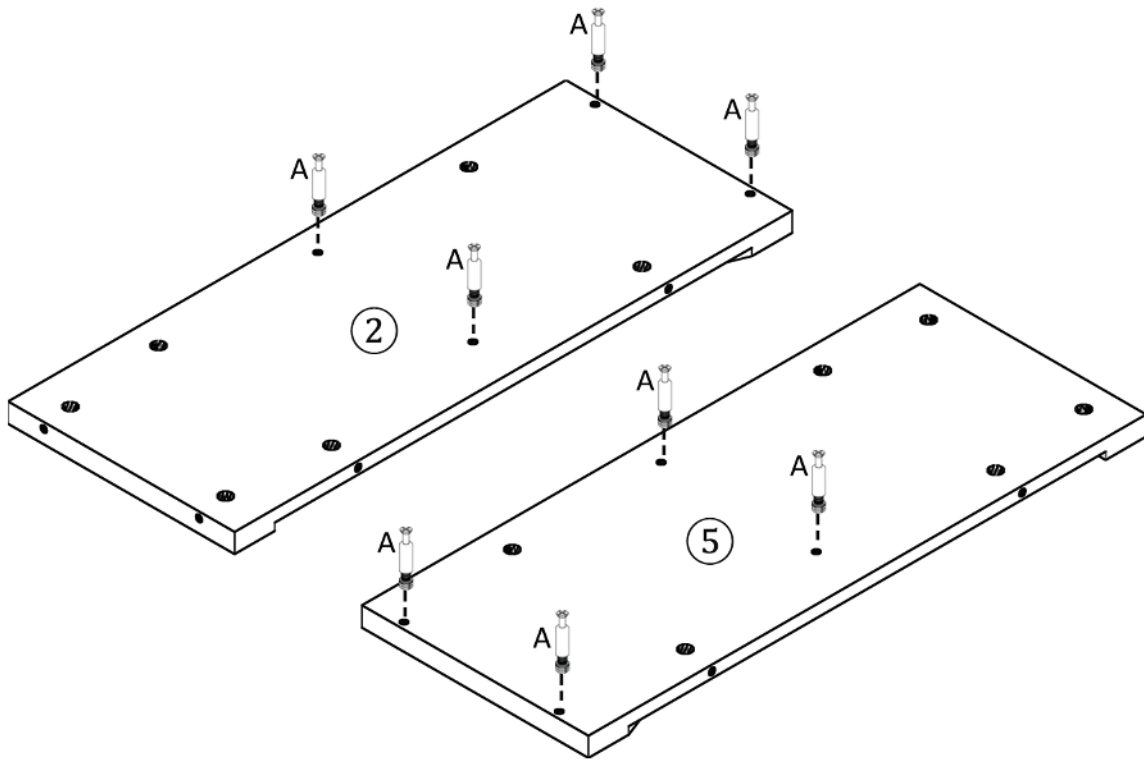
STEP 1



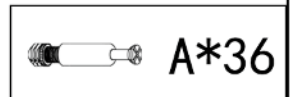
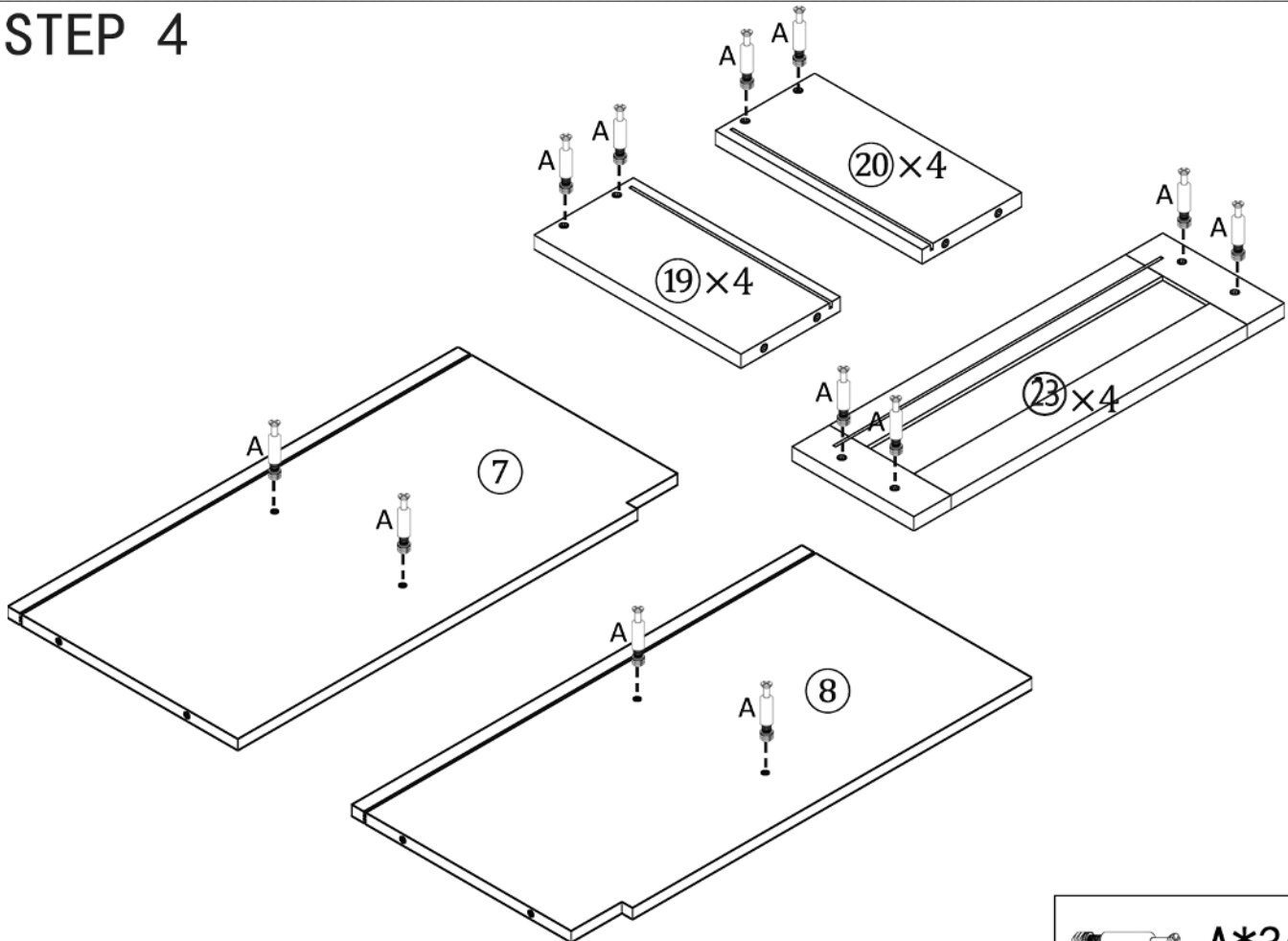
STEP 2



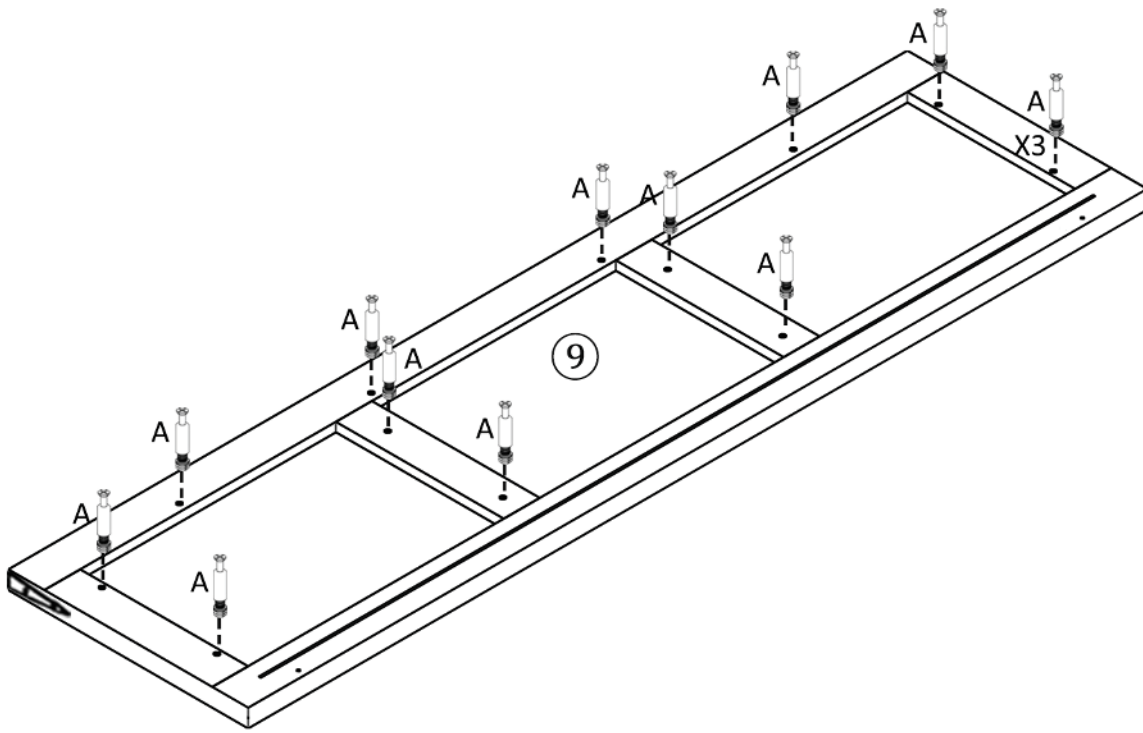
STEP 3



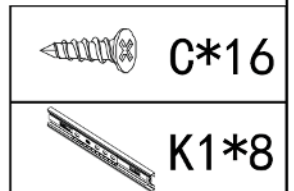
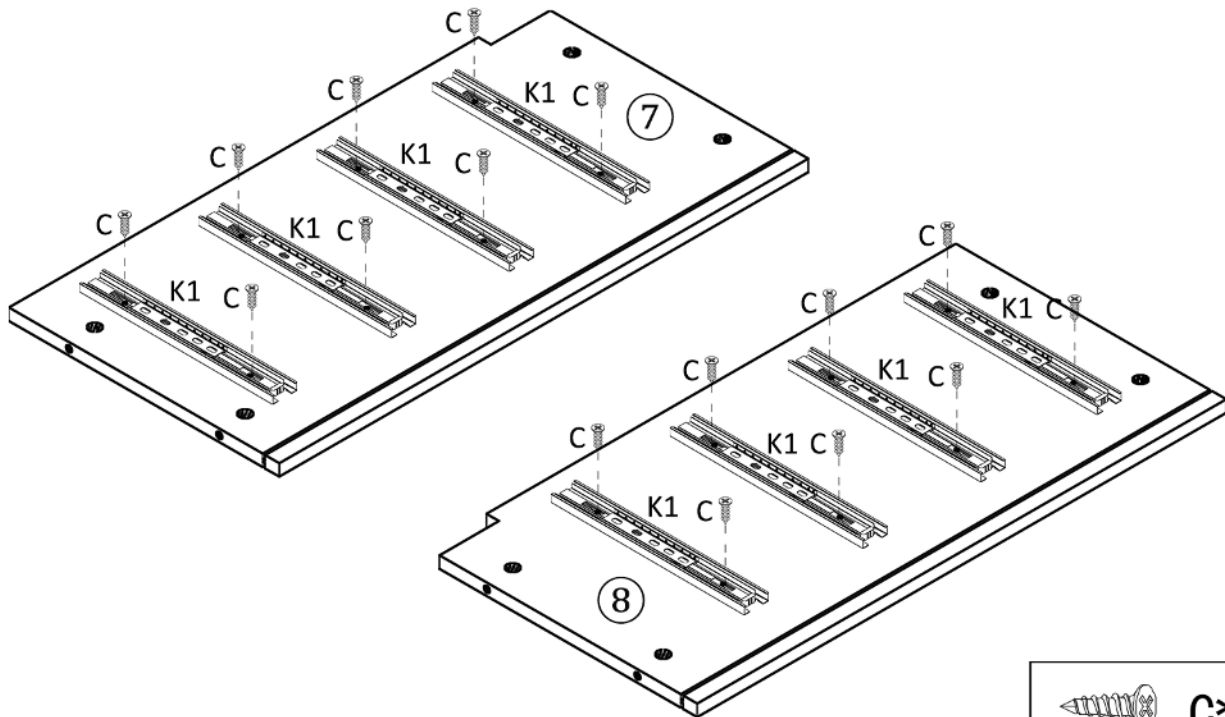
STEP 4



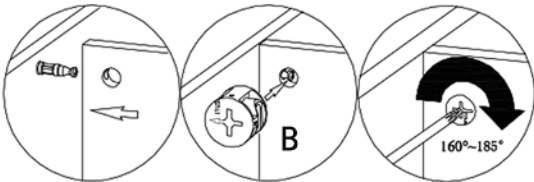
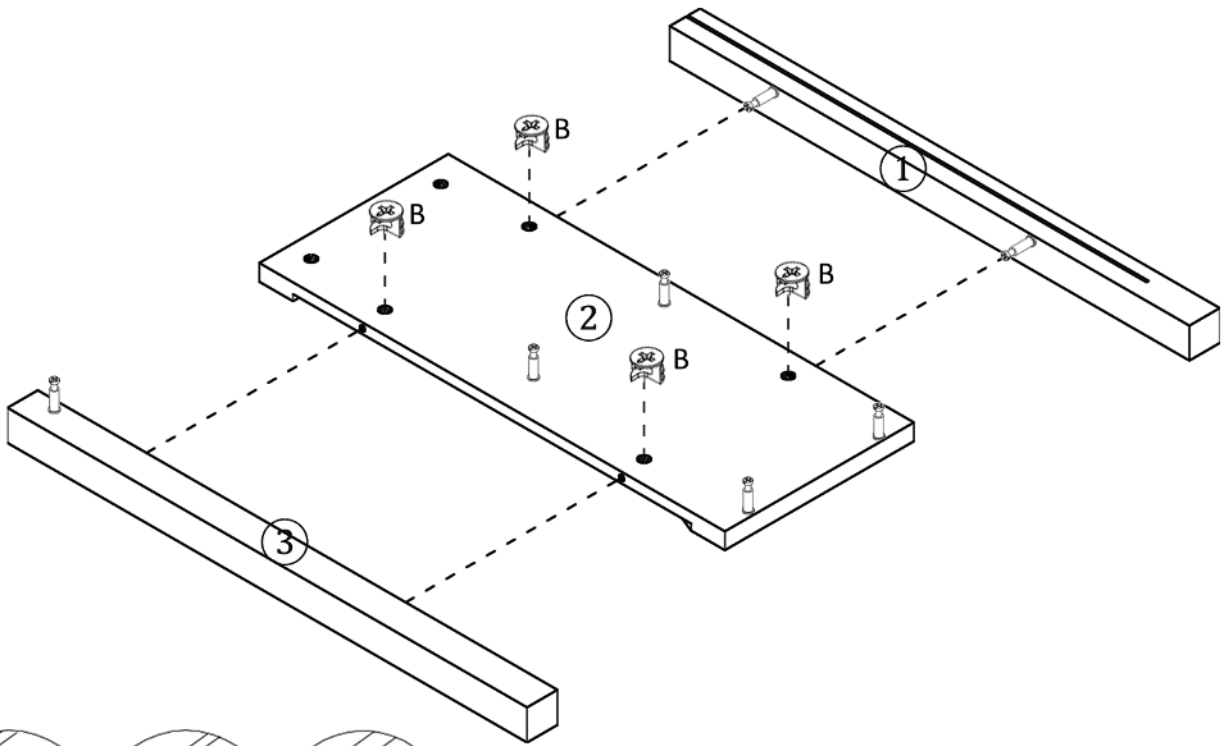
STEP 5



STEP 6

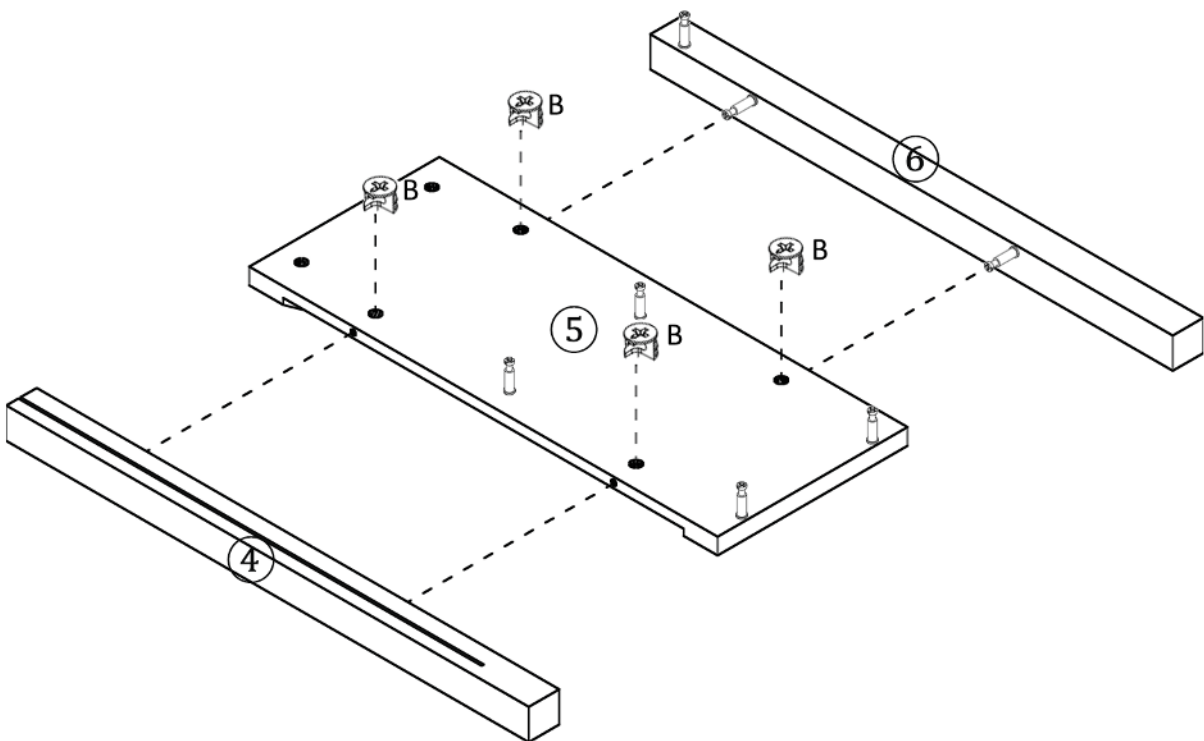


STEP 7



 B*4

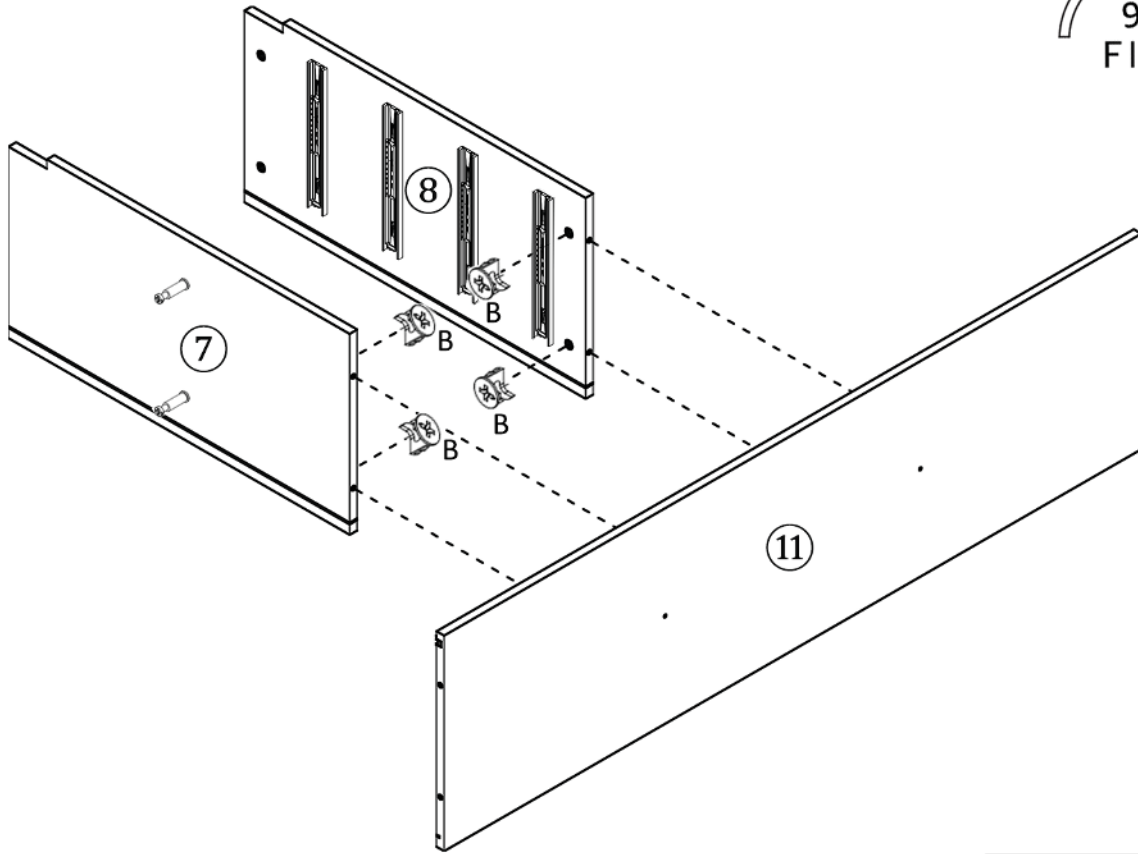
STEP 8



 B*4

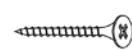
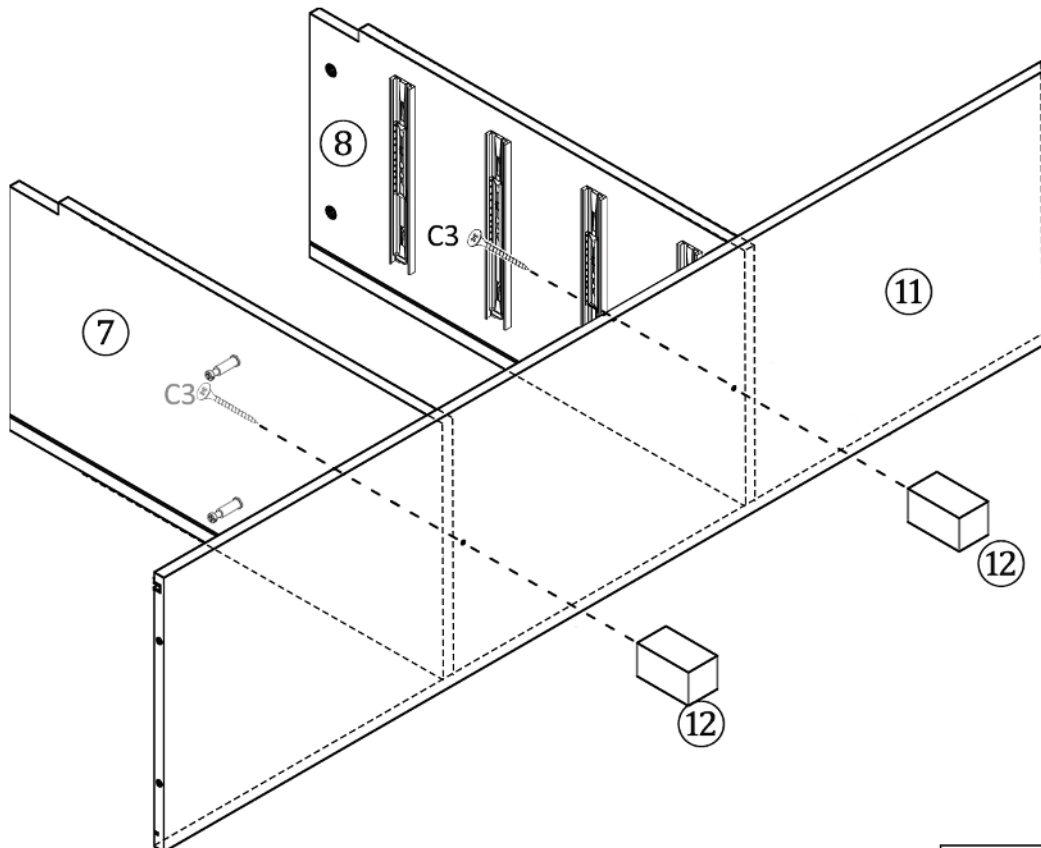
STEP 9

90°
Flip



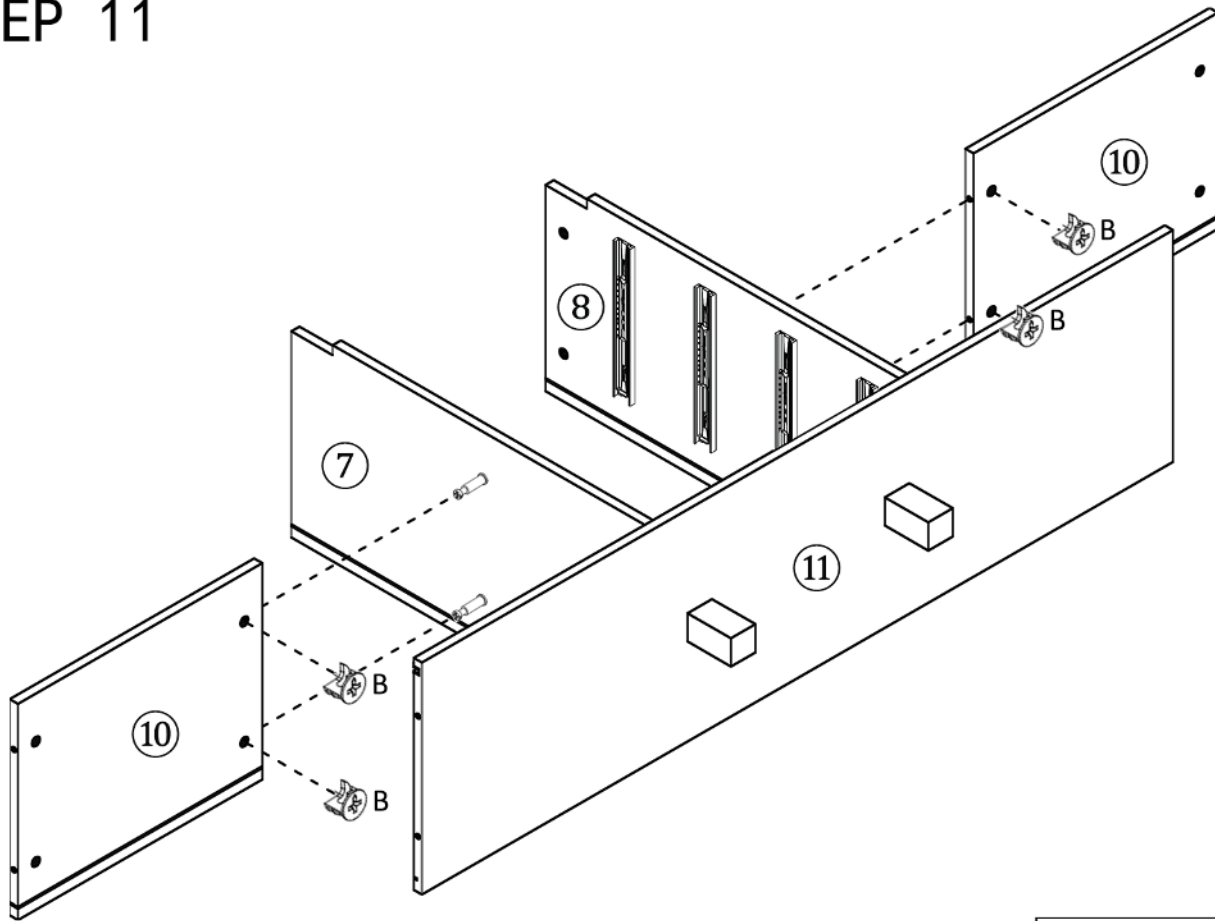
B*4

STEP 10



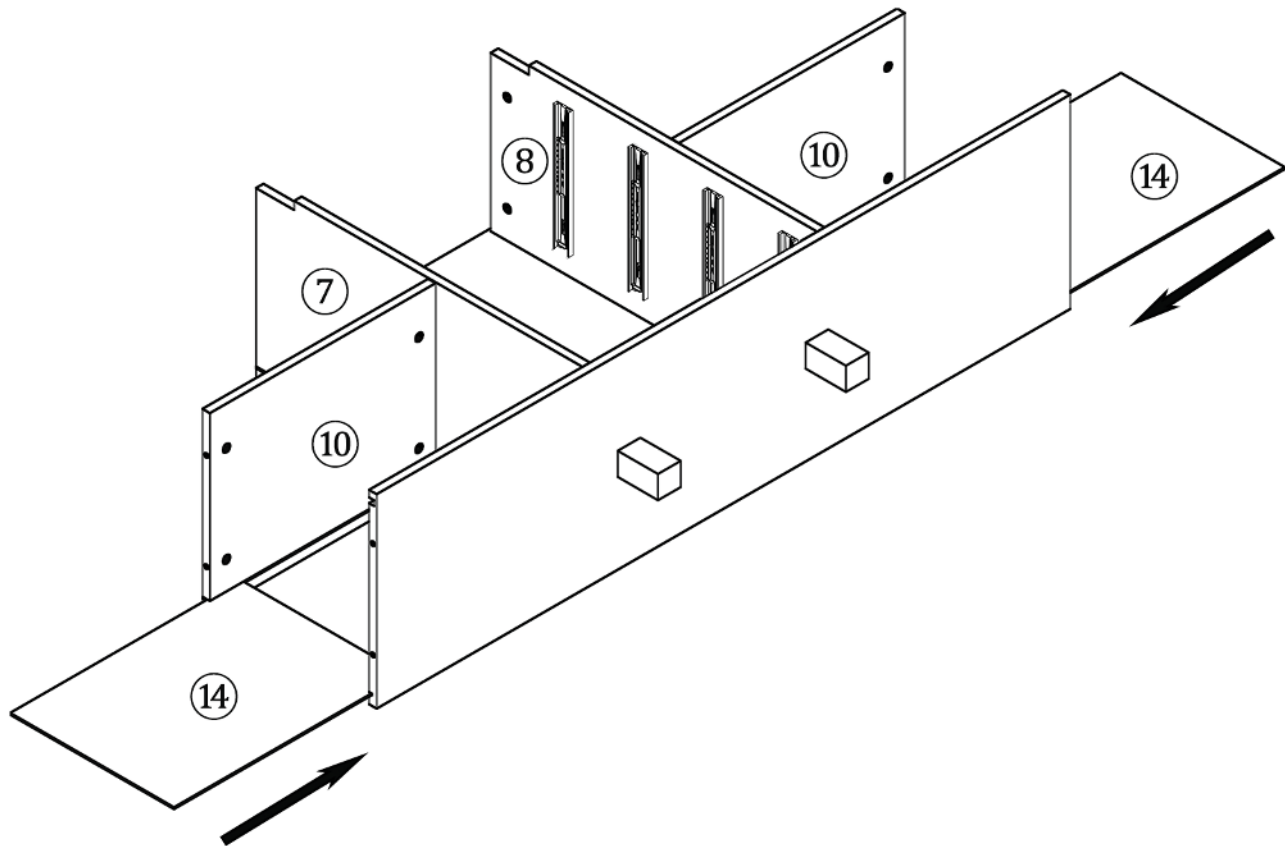
C3*2

STEP 11

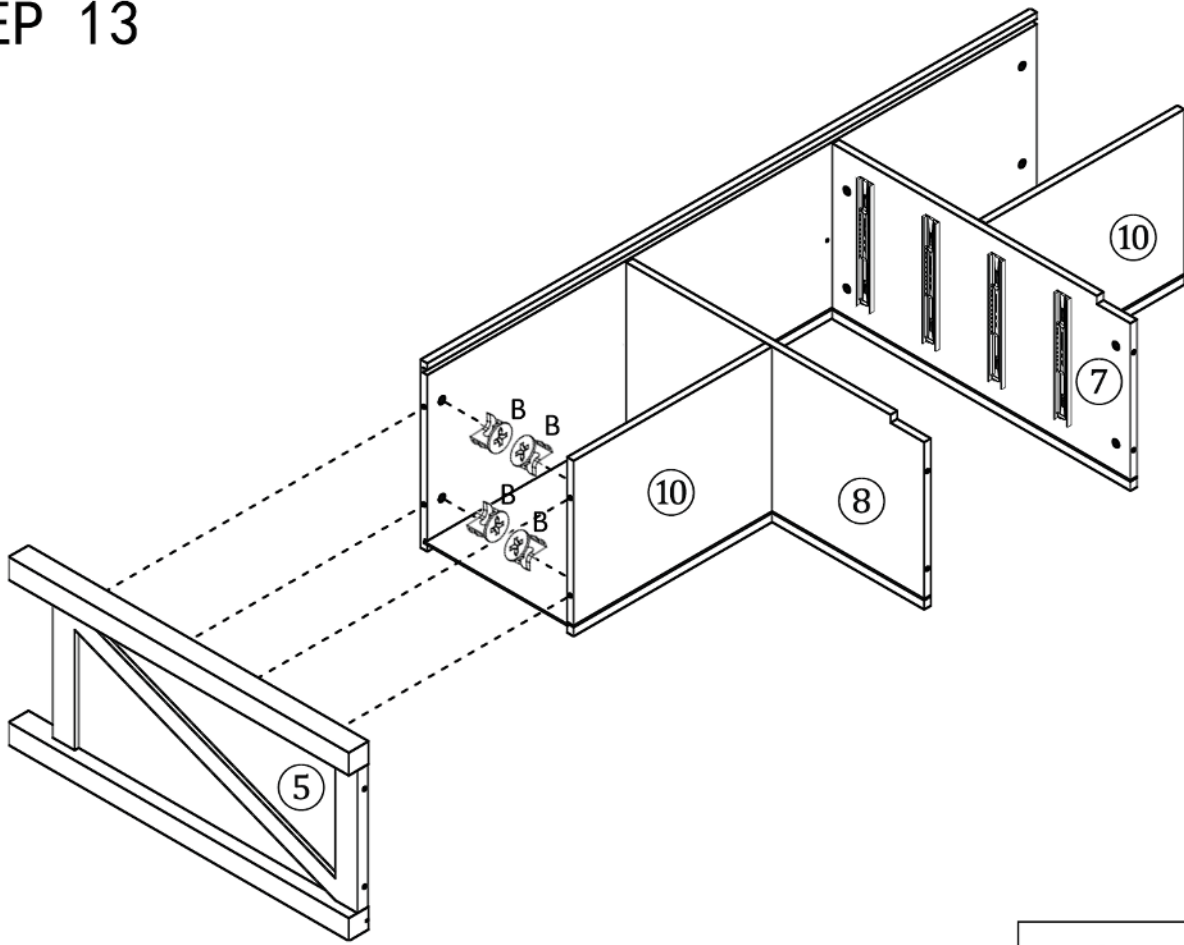


B*4

STEP 12

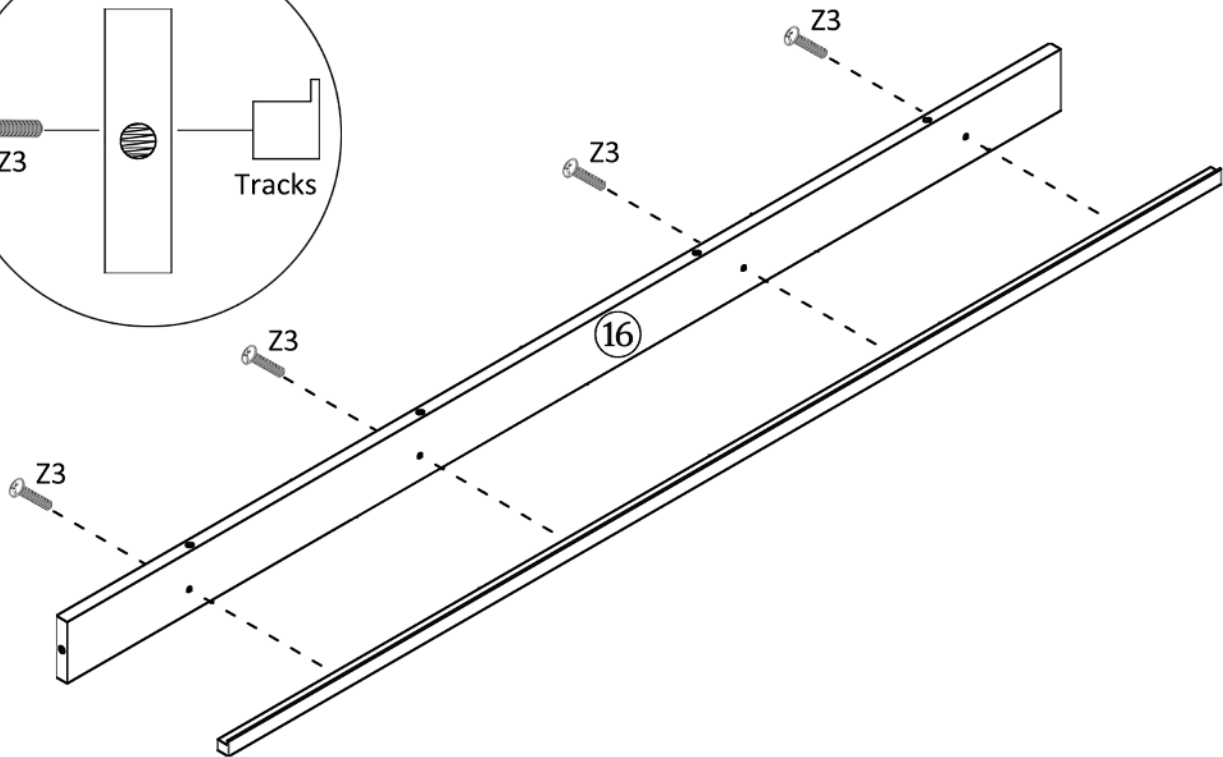
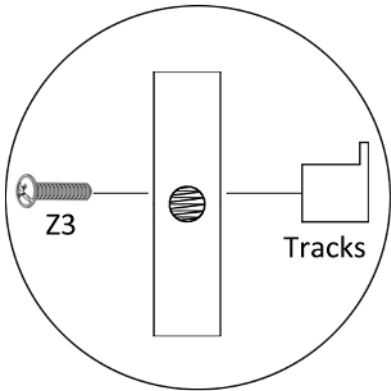


STEP 13



B*4

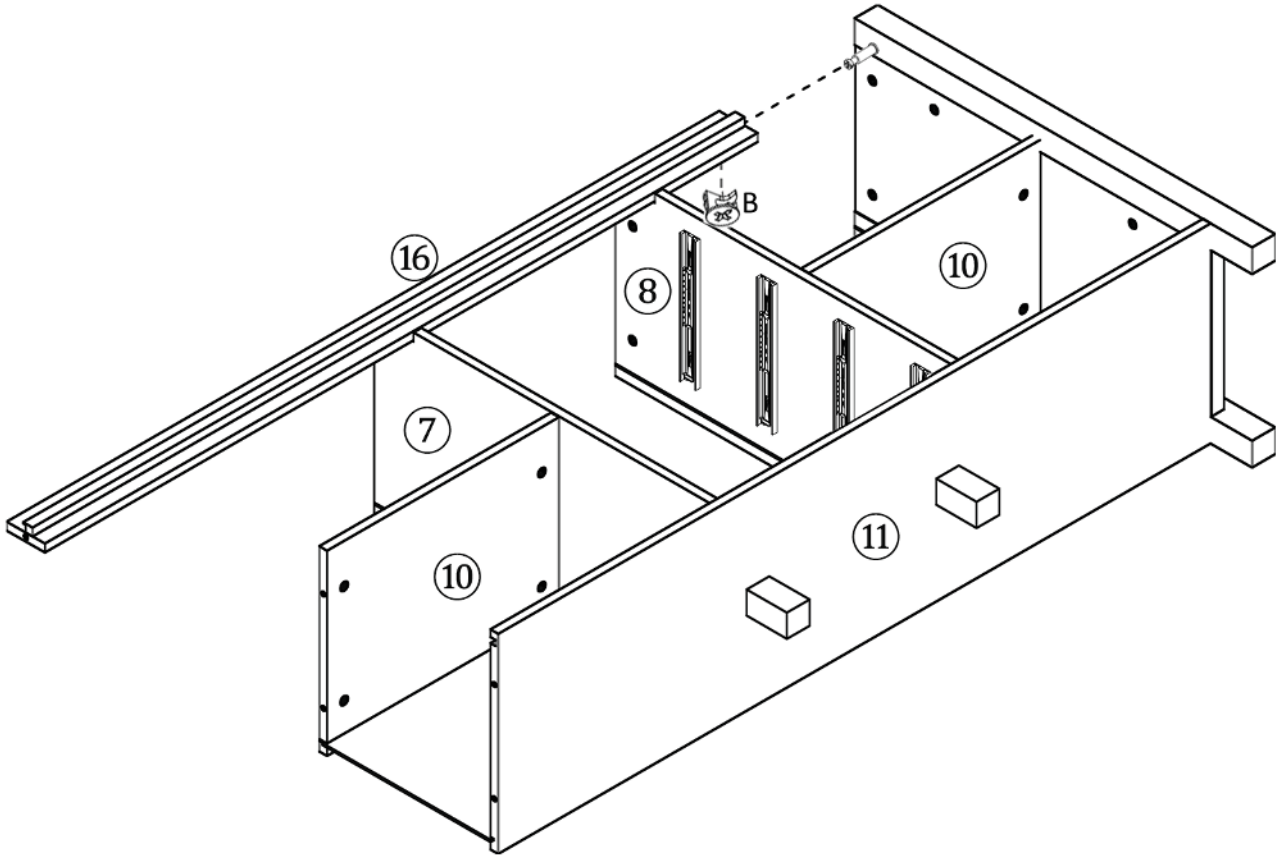
STEP 14



6*30

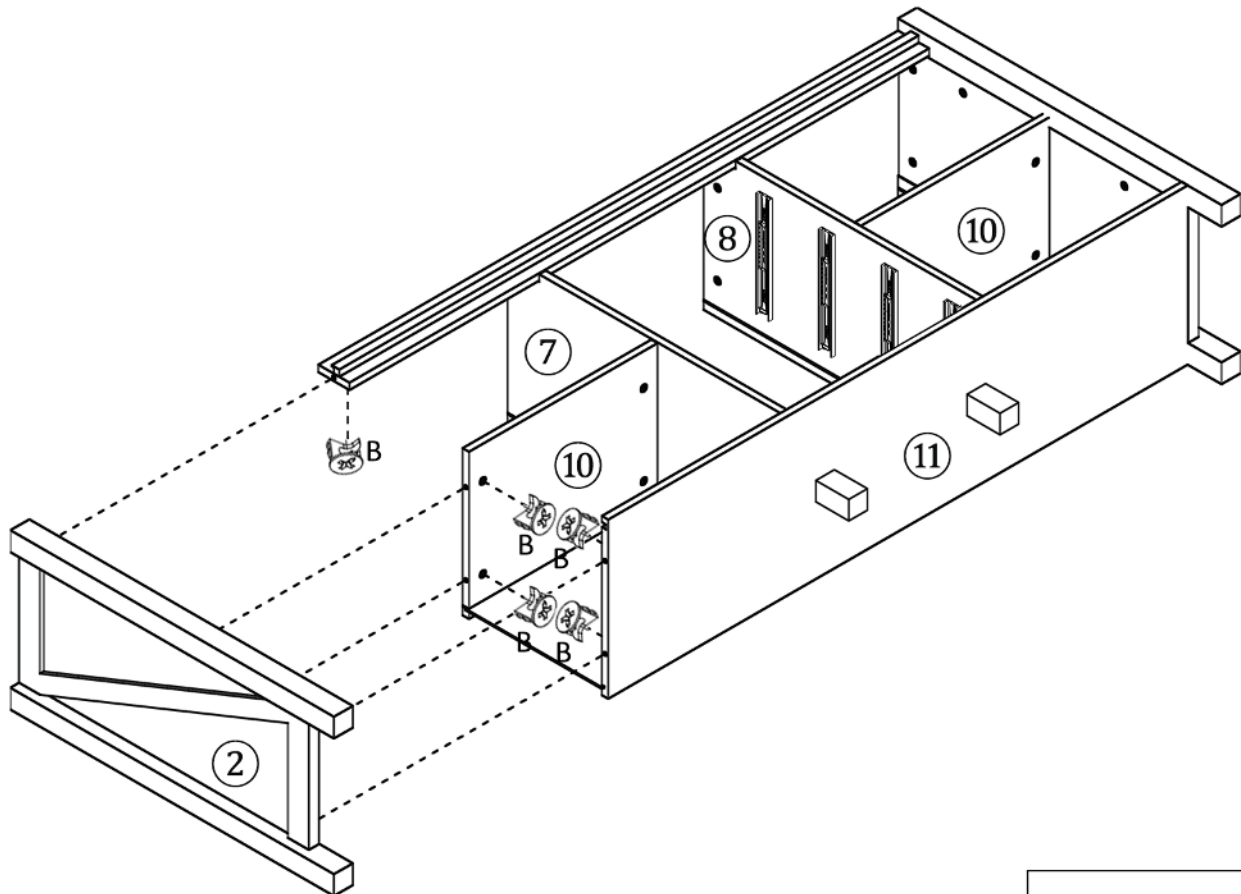
Z3*4

STEP 15



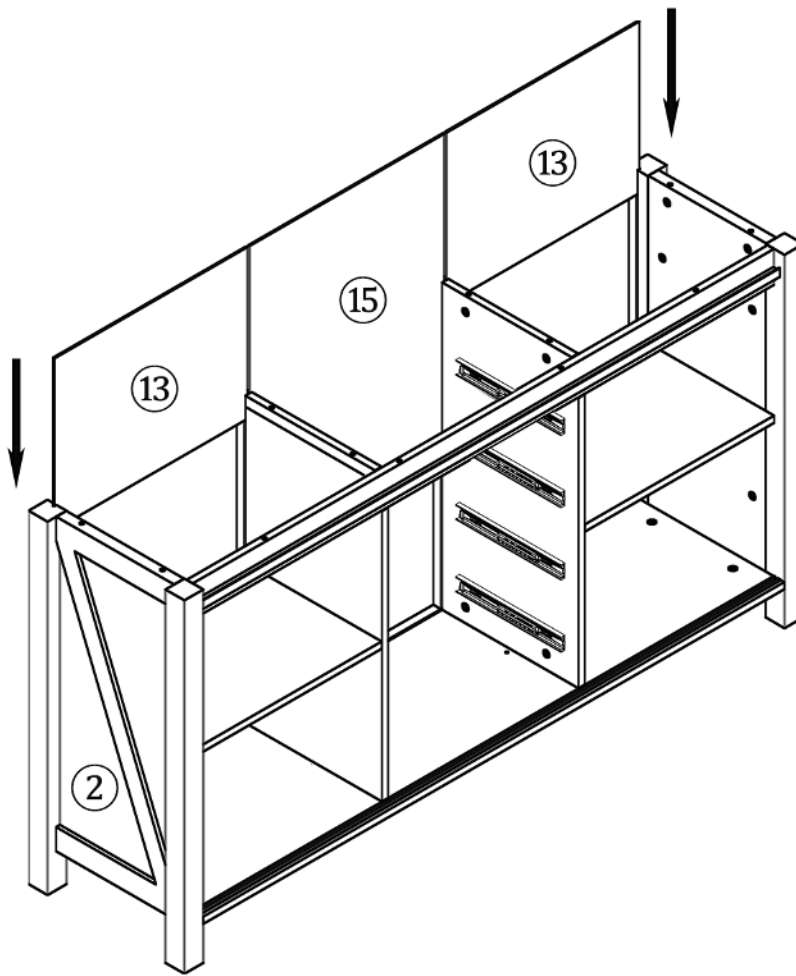
 B*1

STEP 16



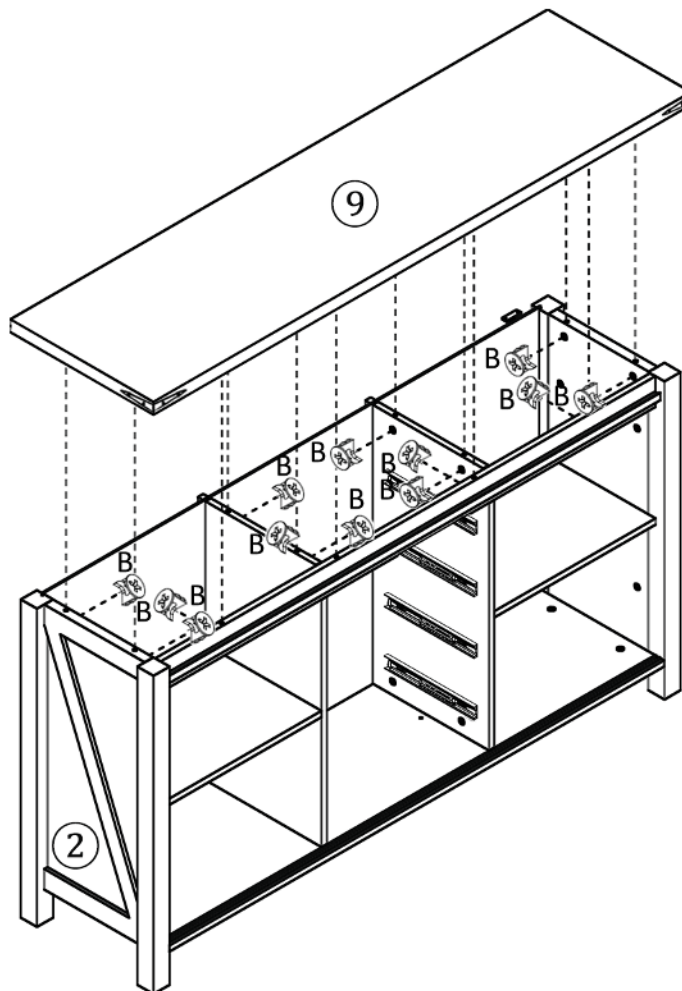
 B*5

STEP 17



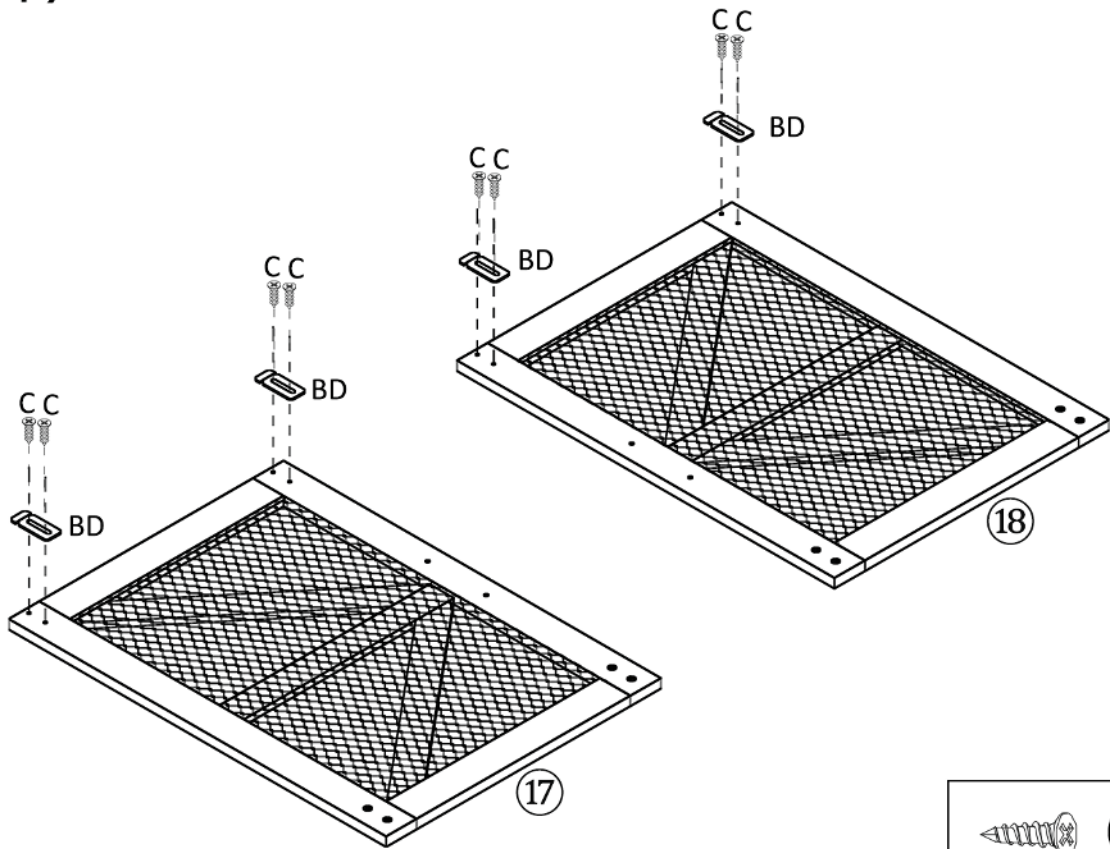
90°
Flip



STEP 18



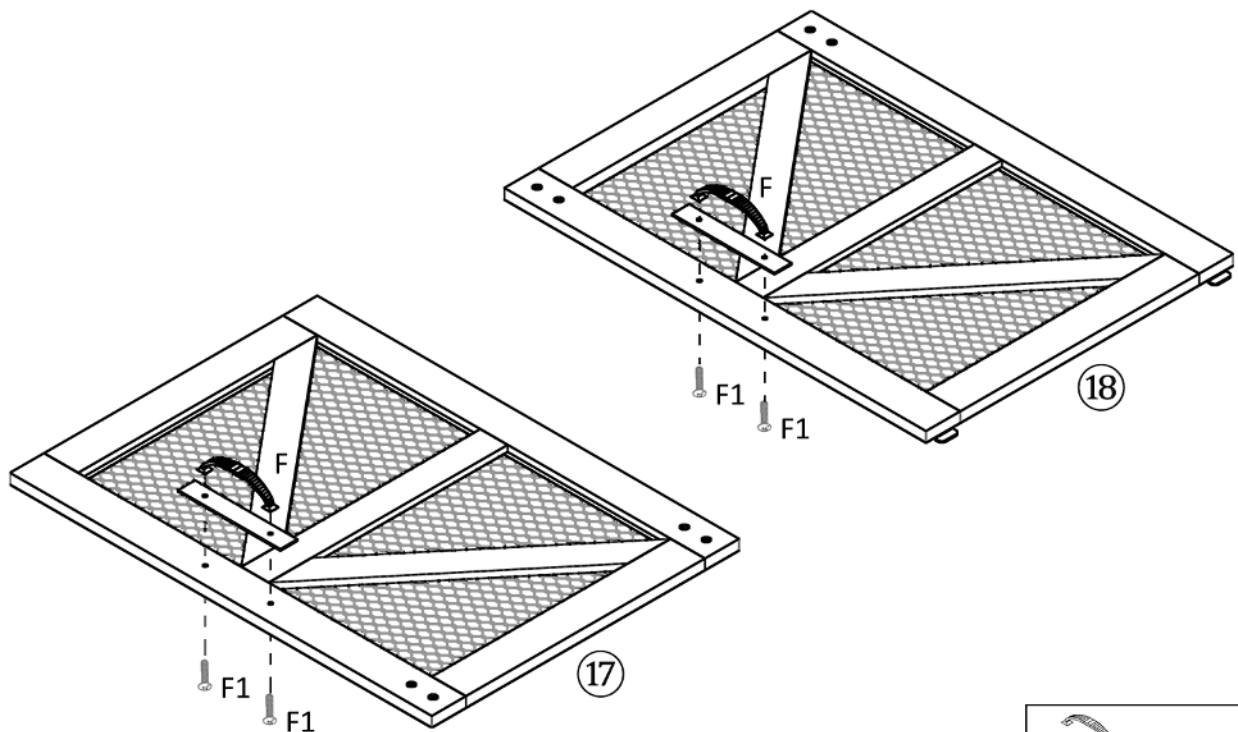
B*12



STEP 19



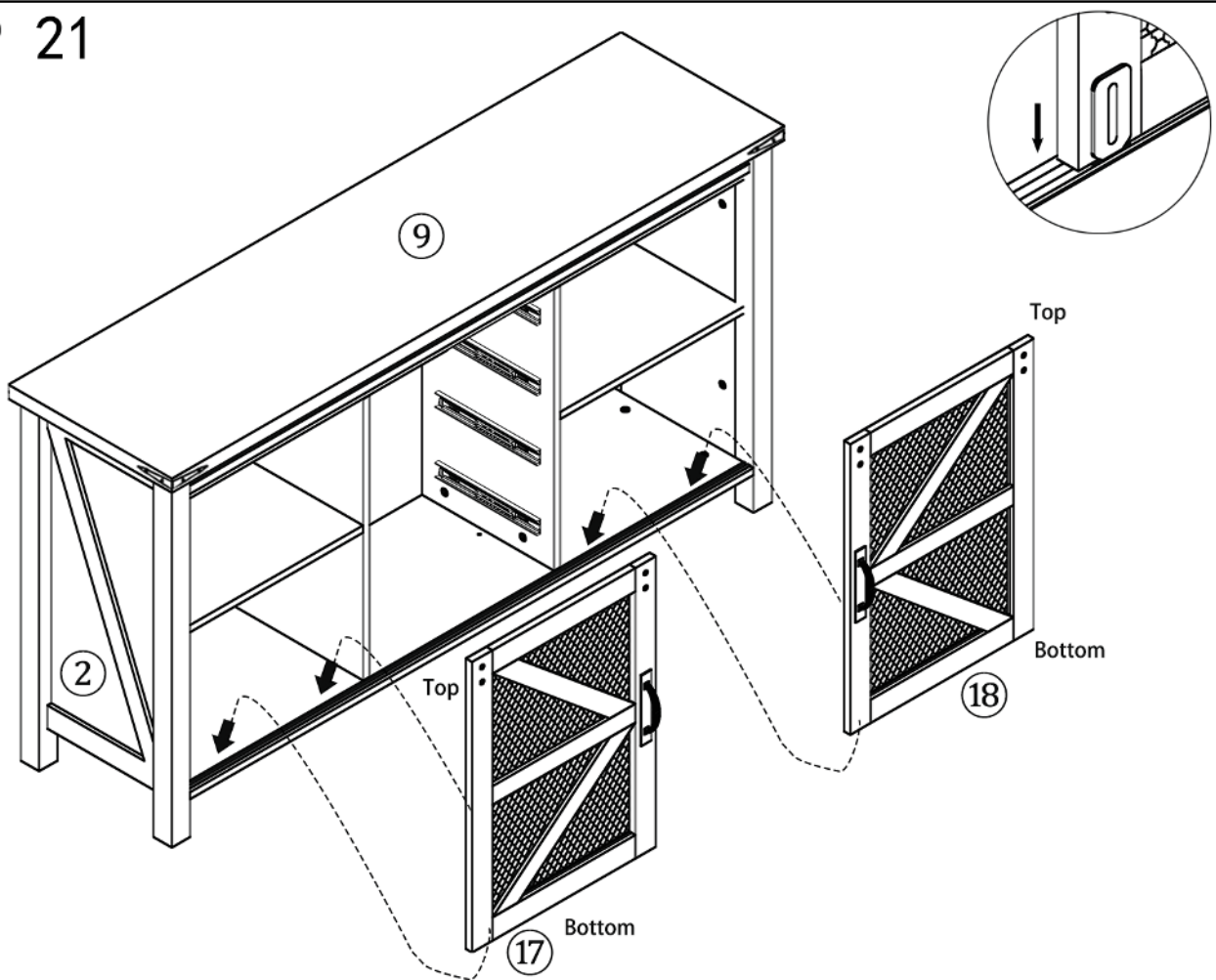
- | | |
|--|------|
|  | C*8 |
|  | BD*4 |

STEP 20



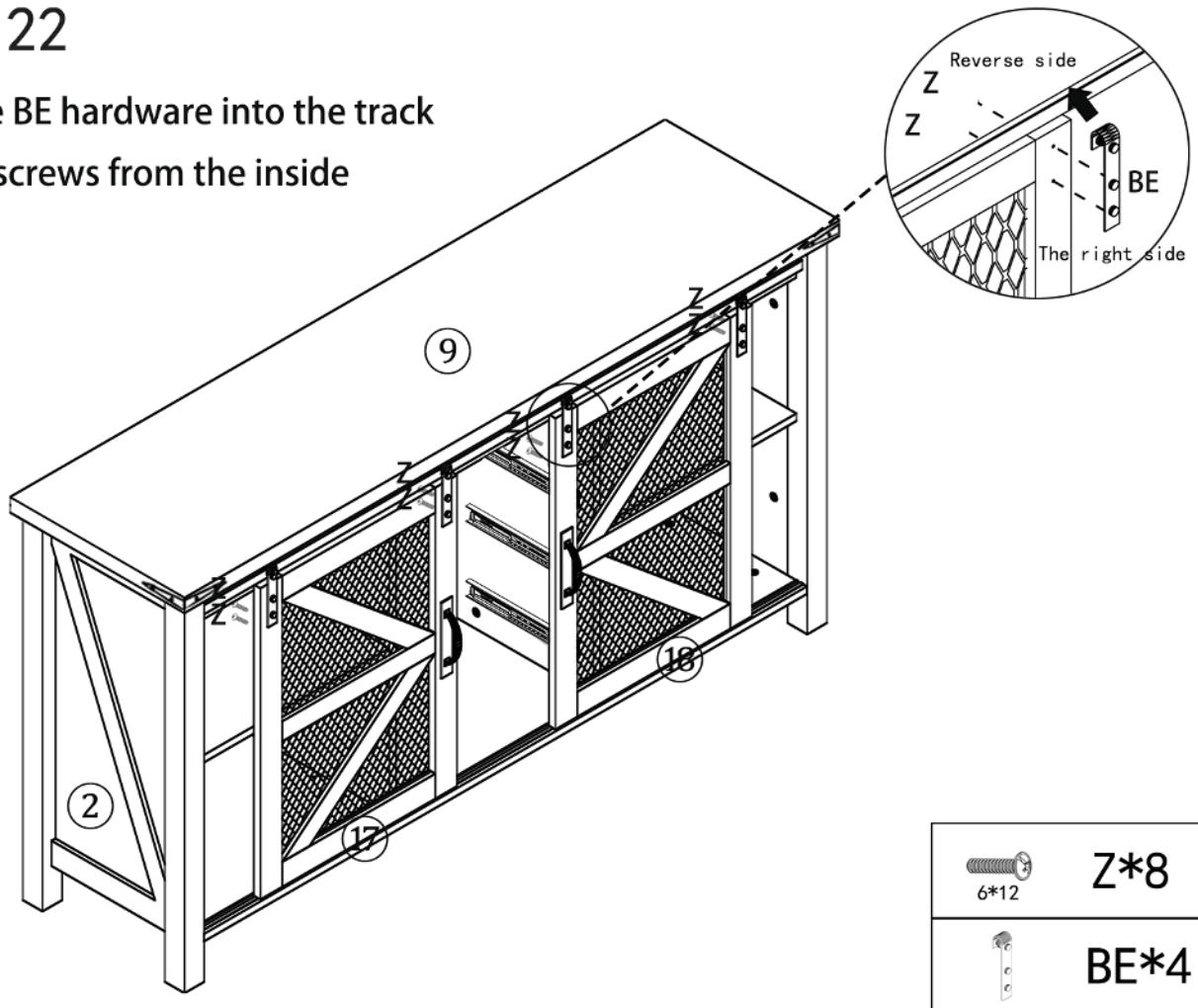
- | | |
|---|------|
|  | F*2 |
|  | F1*4 |

STEP 21



STEP 22

1. Put the BE hardware into the track
2. Install screws from the inside

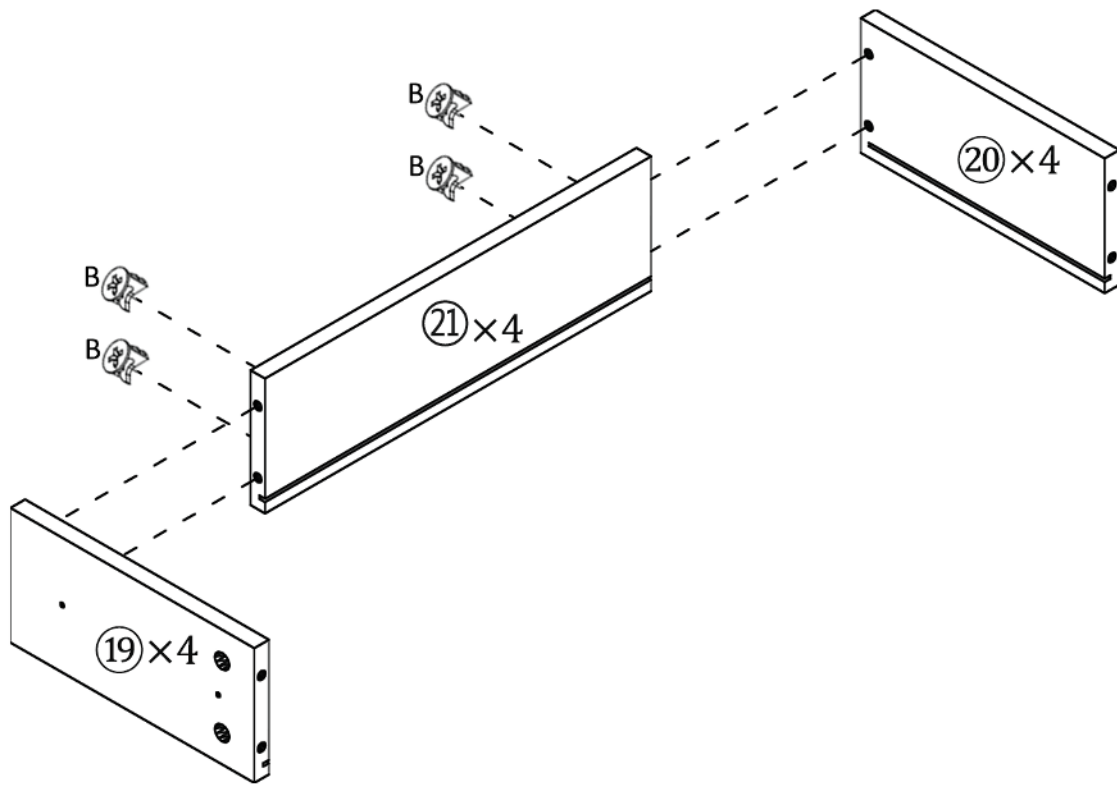


Z*8



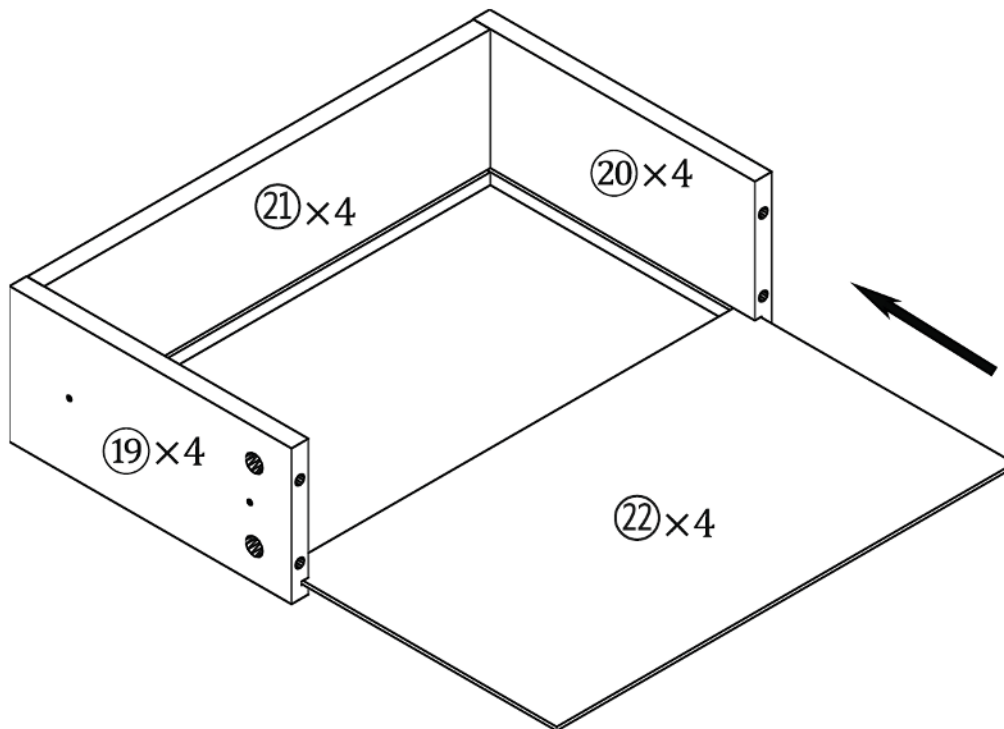
BE*4

STEP 23

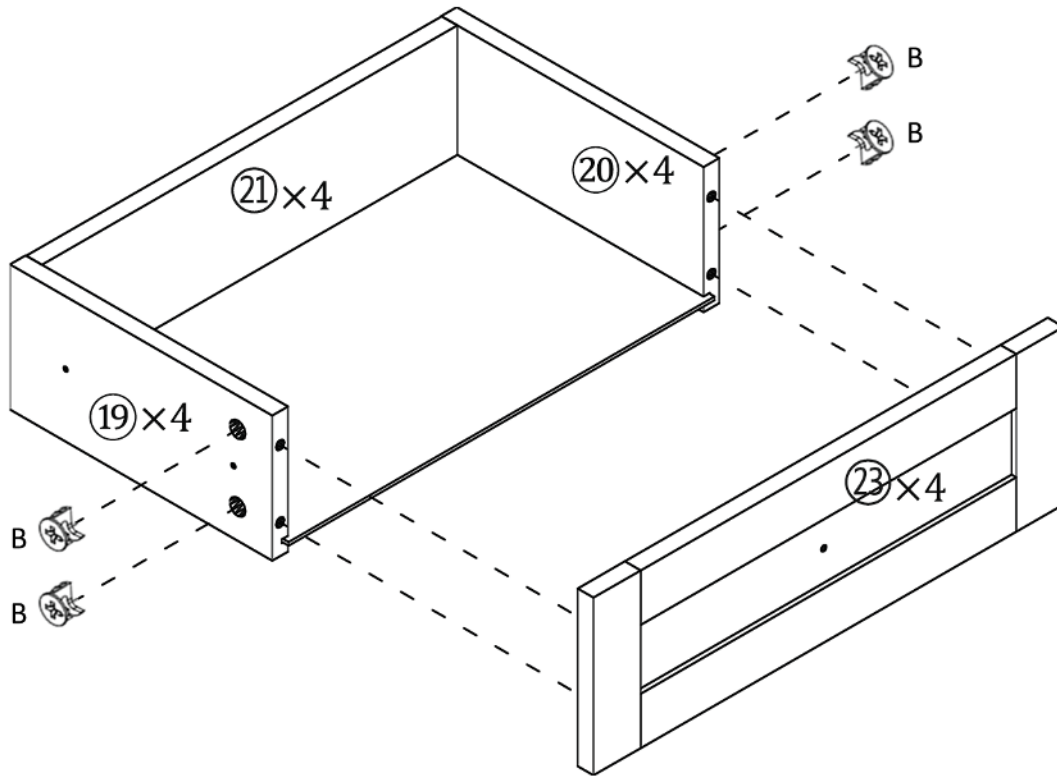


B*16

STEP 24

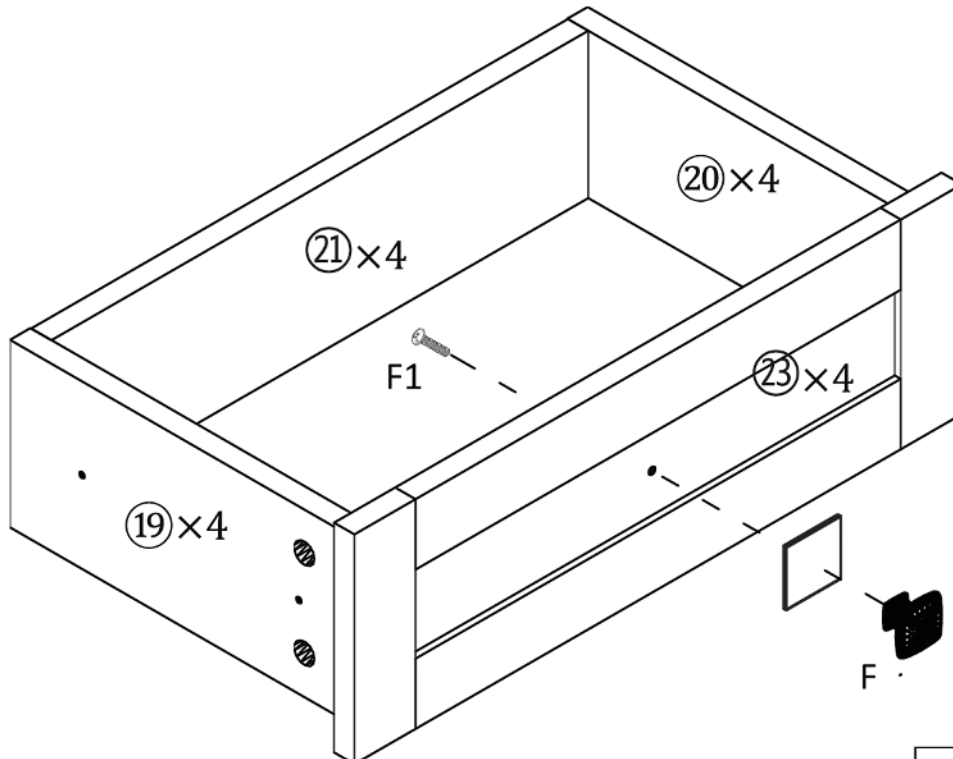


STEP 25



B*16

STEP 26



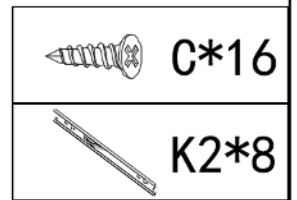
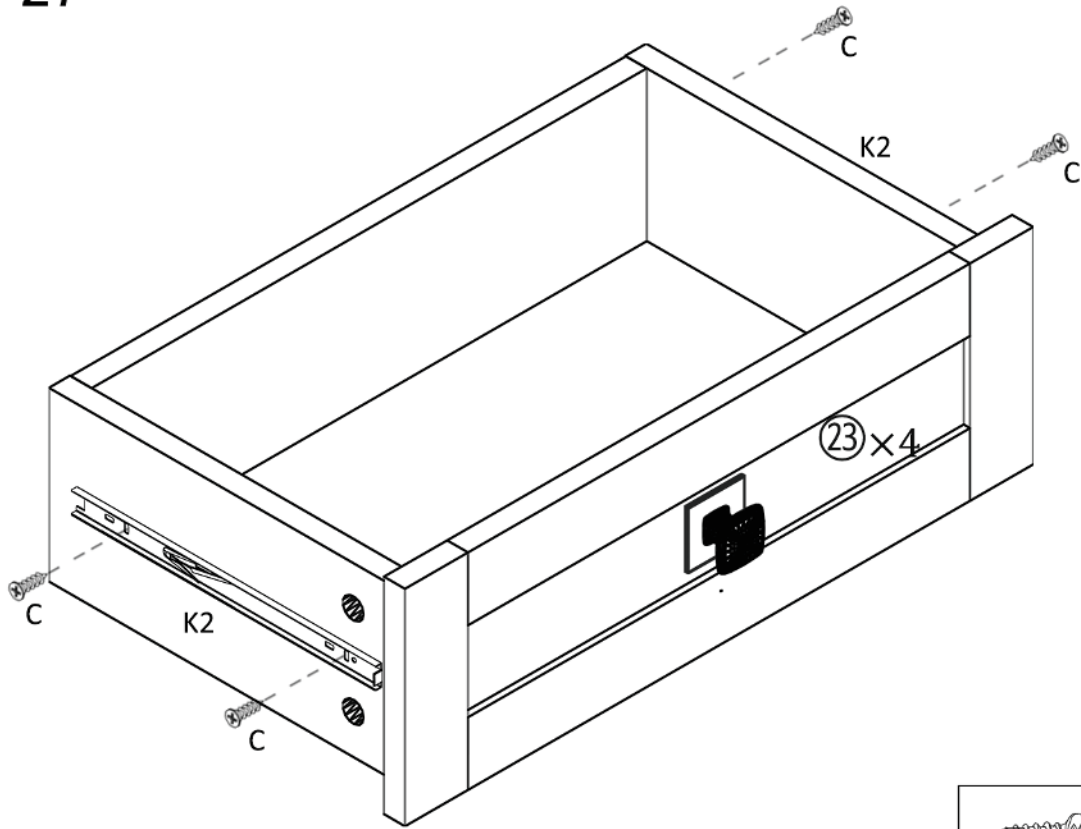
4*10

F1*4

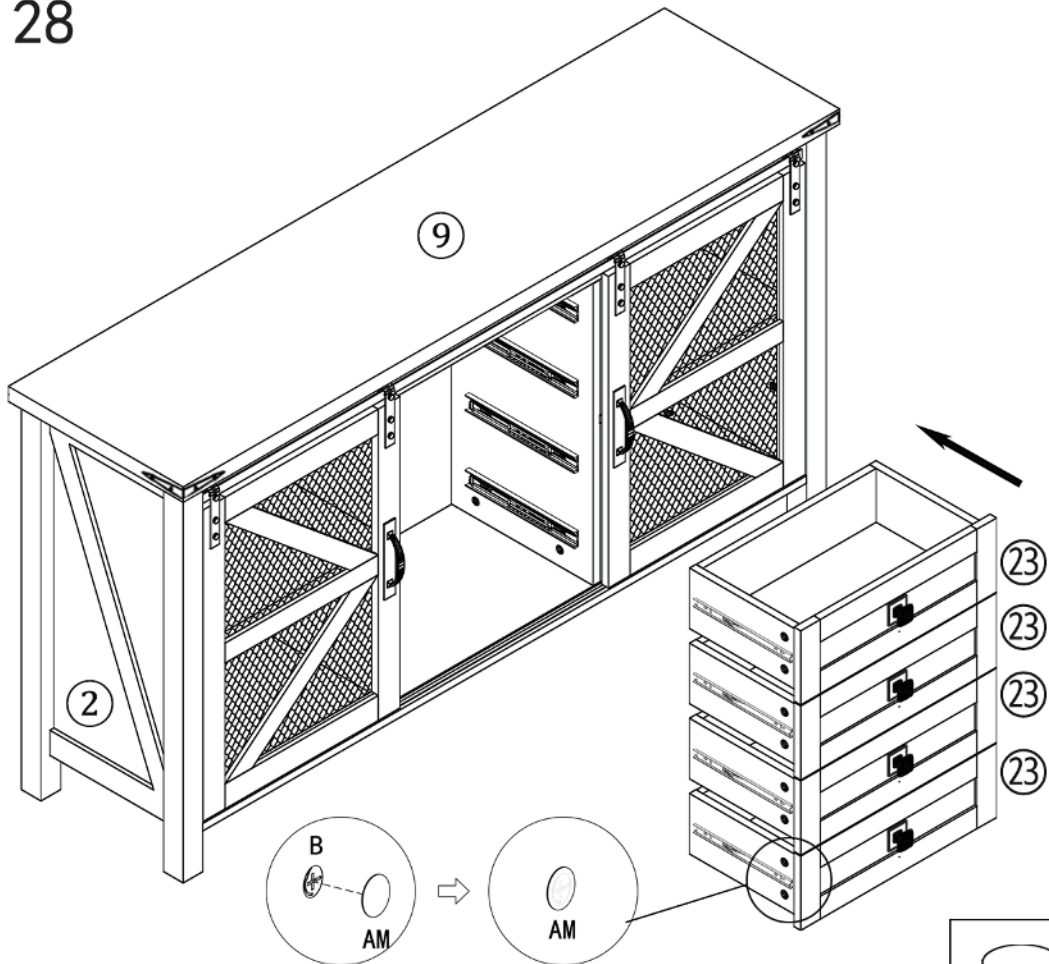


F*4

STEP 27

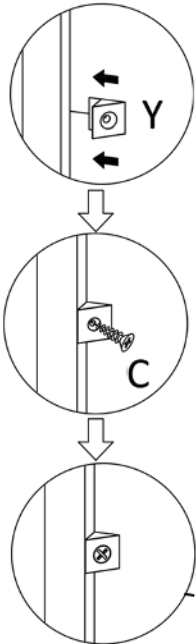
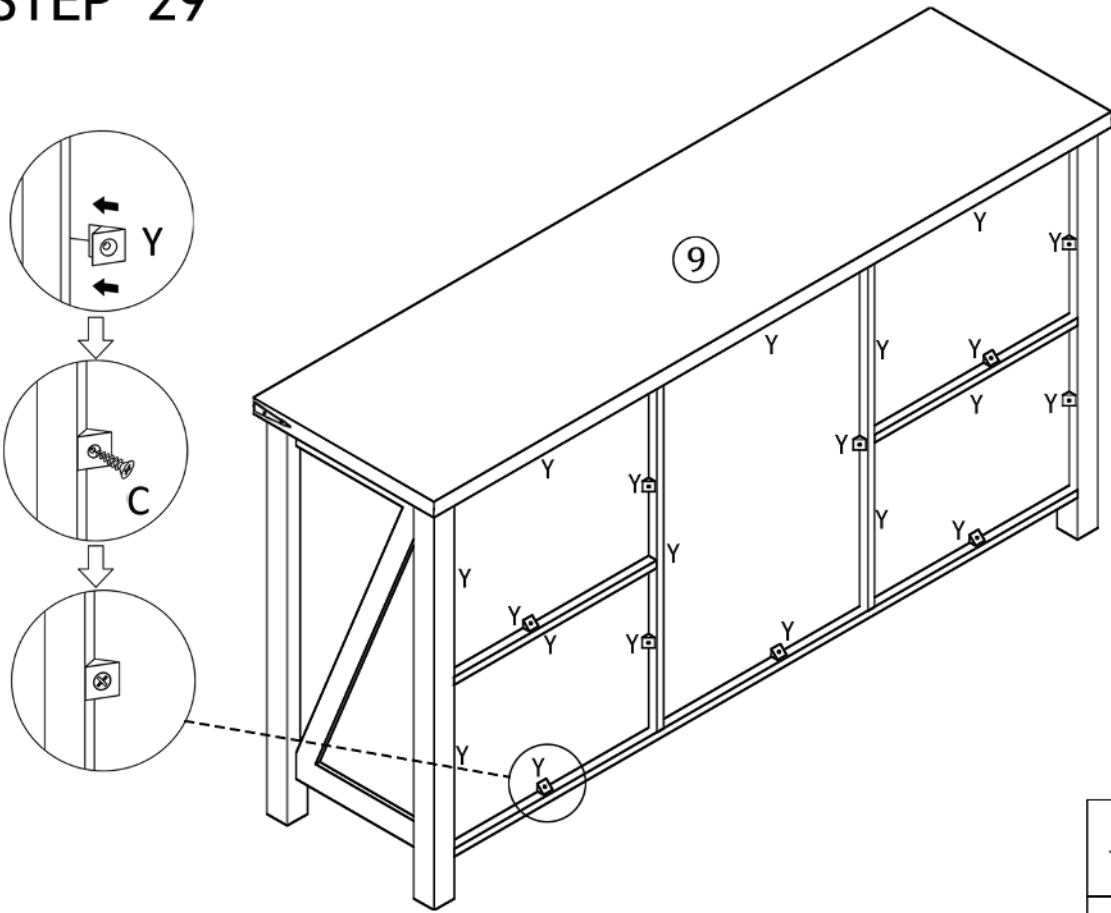




STEP 28



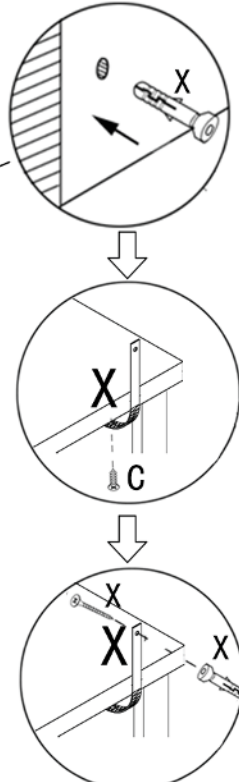
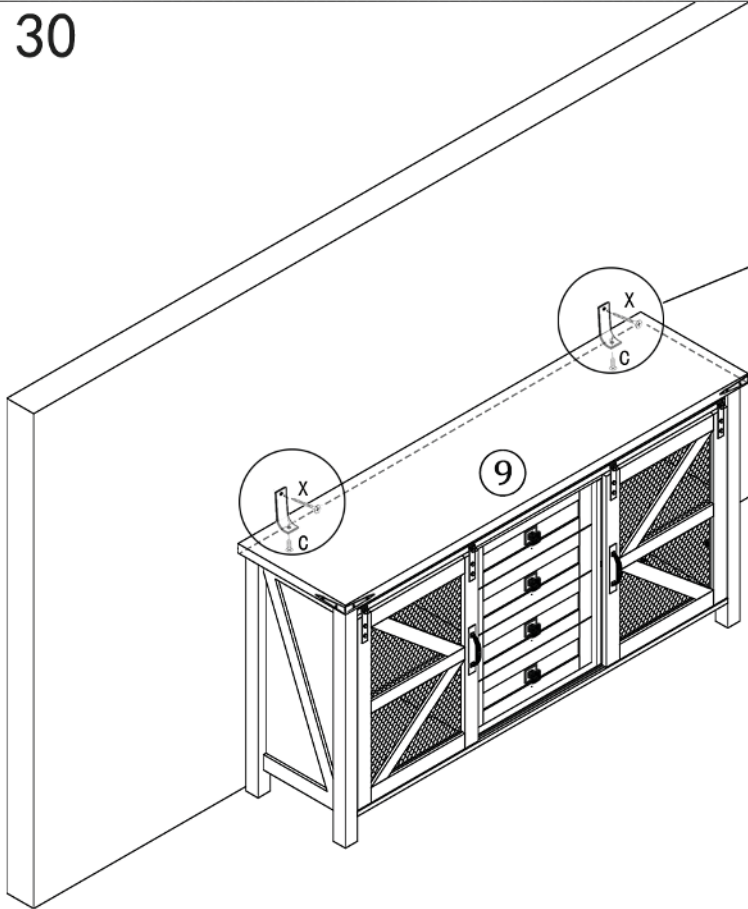
Please stick the decorative paper on the hole



STEP 29



-  C*20
-  Y*20

STEP 30



-  C*2
-  X*2