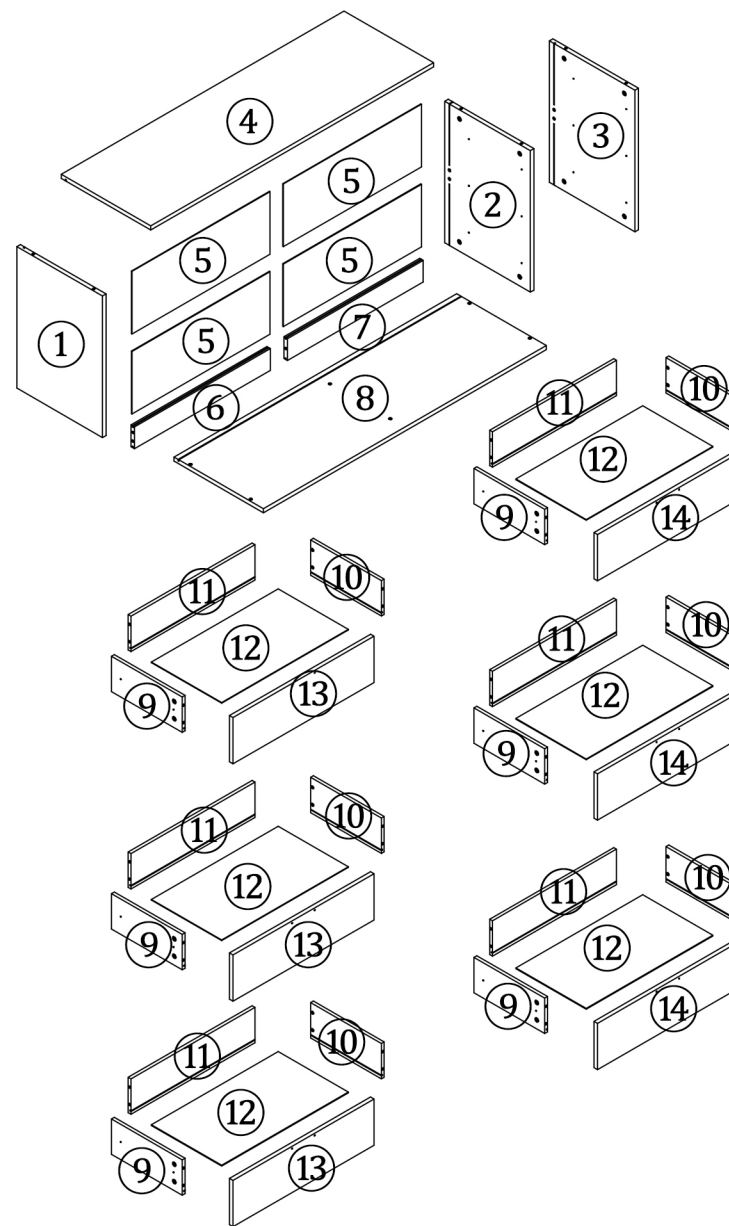
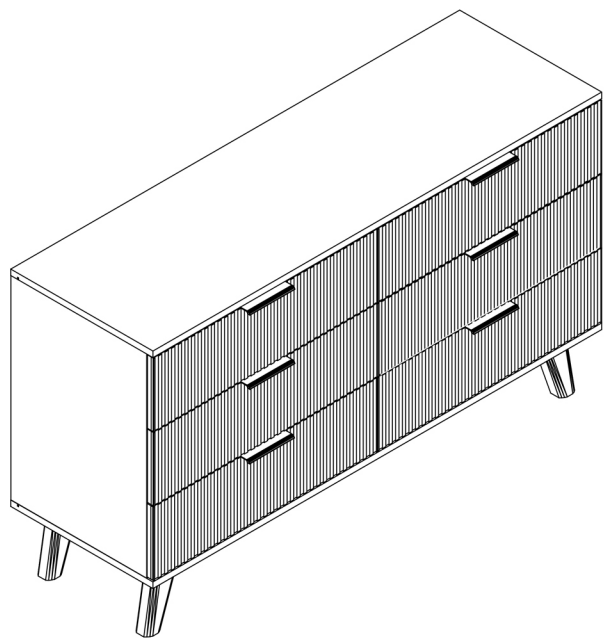



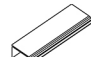


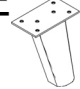



ASSEMBLY INSTRUCTION

- Please follow the instructions to assemble the items correctly.
- Please ensure the safety of the glass when assembling.
- Do not make the screws too loose or too tight.
- As shown in the figure, Insert the screw into the hole.
The arrow in the picture, Then rotate 90° or 180° clockwise.
- The accessory bag contains some small accessories, which should be kept away from children.
- The remaining parts are spare parts.
- Warm reminder white backboard please install the white side inward

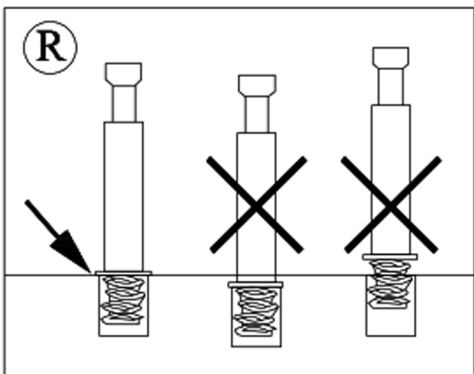
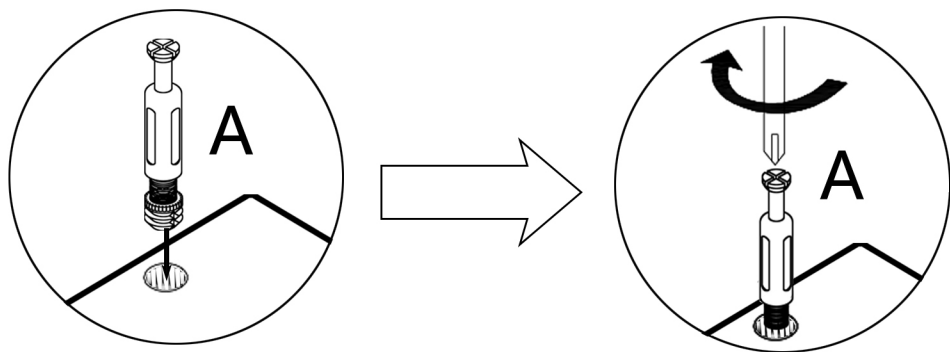


A  67pcs	B  67pcs	C  3.5*14 78pcs	F  6pcs	F1  12pcs	KA  12pcs	AE  4pcs
AE  1pcs						



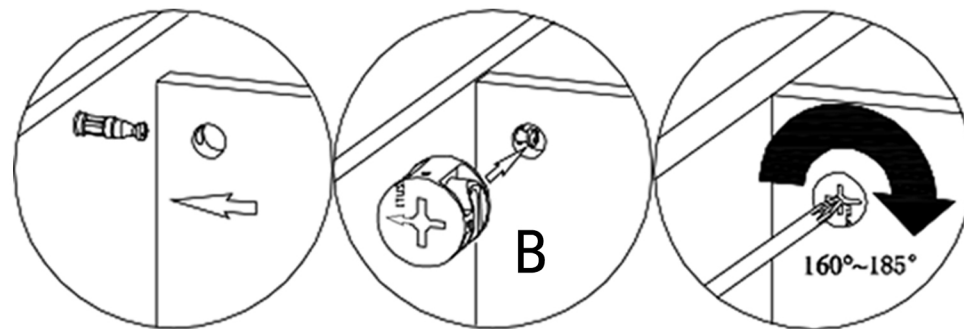
Hardware installation demonstration

- Please make sure "A" hardware tightened and can't be pulled out



Hardware installation demonstration

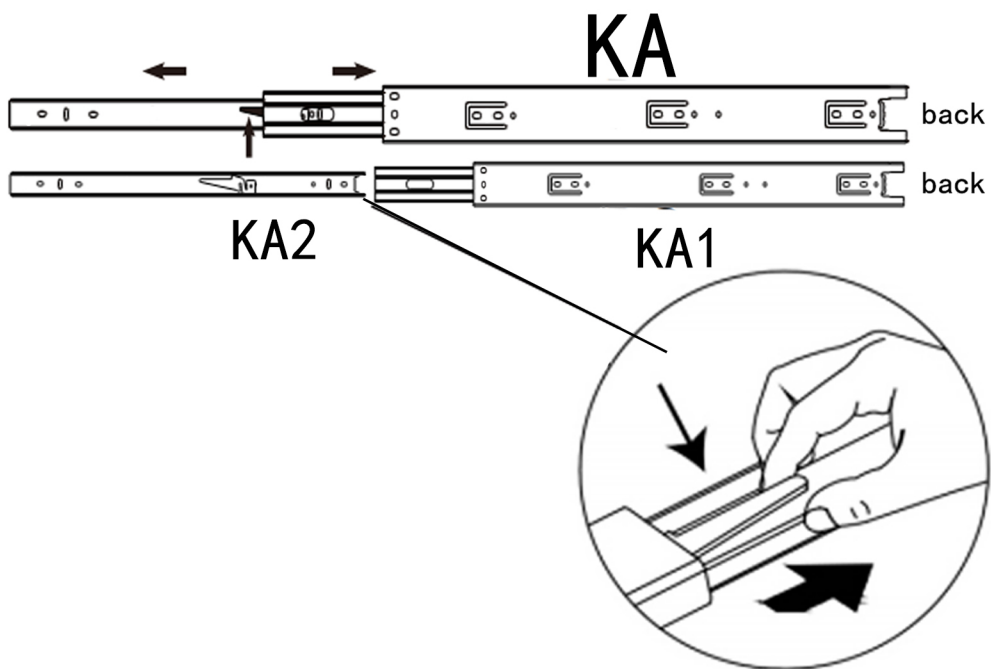
- When inserting cam ensure arrowhead on cam points toward to the hole on the panel edge





Hardware installation demonstration

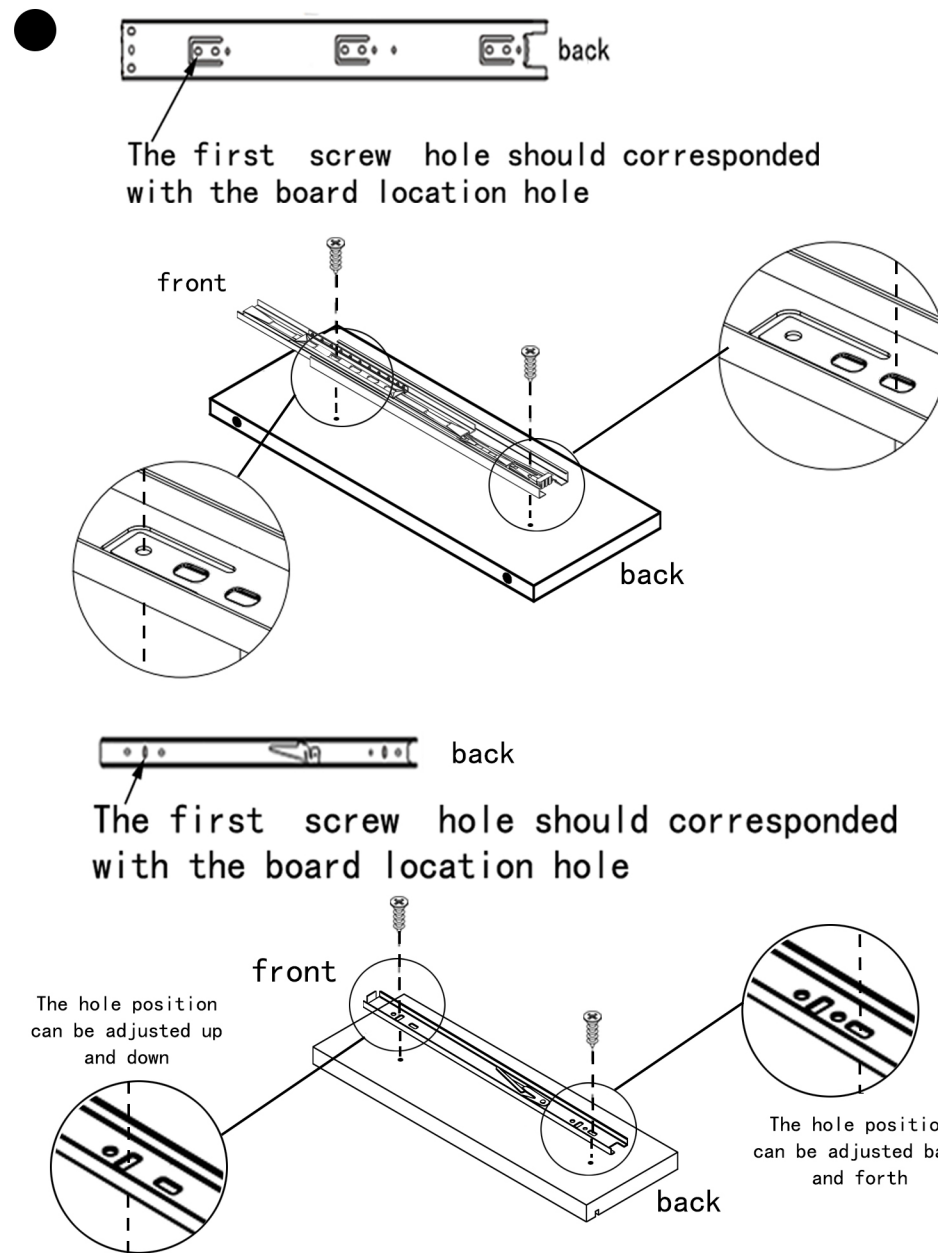
- Before installing the drawer rail, you need to separate the KA1 and KA2 first.



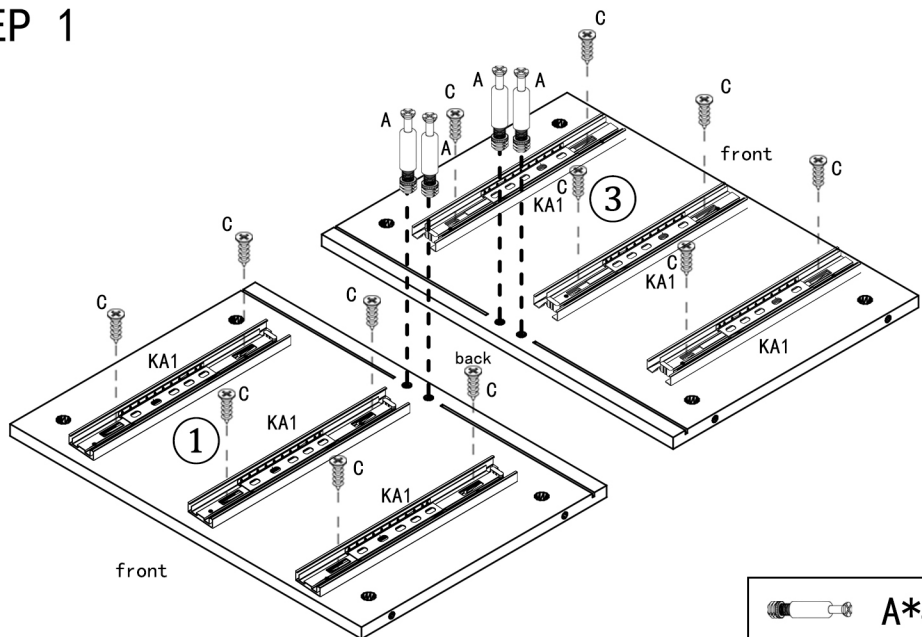
Warm Reminder: Press it and split






Hardware installation demonstration

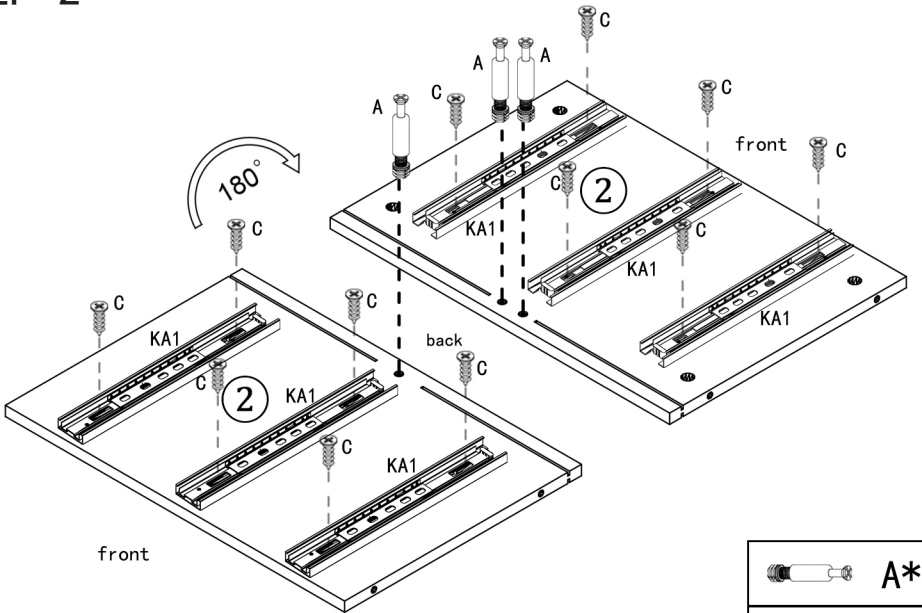





STEP 1



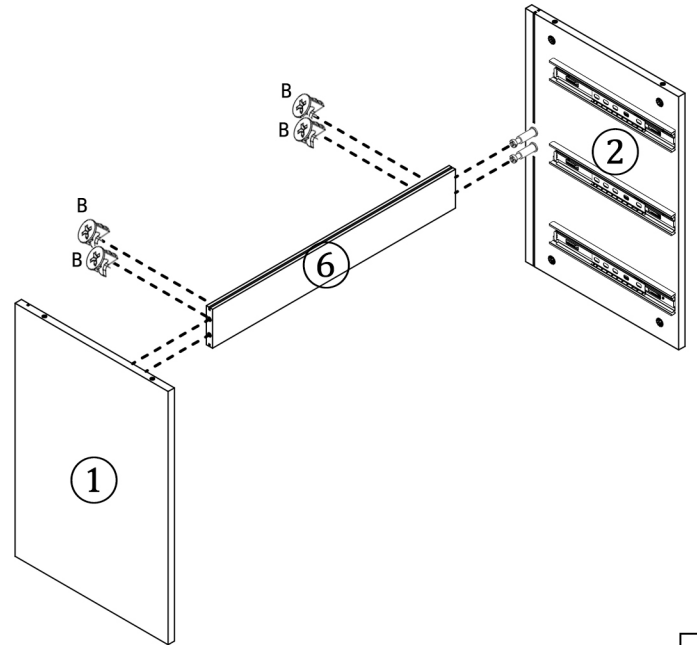
-  A*4
-  C*12
-  KA1*6


STEP 2



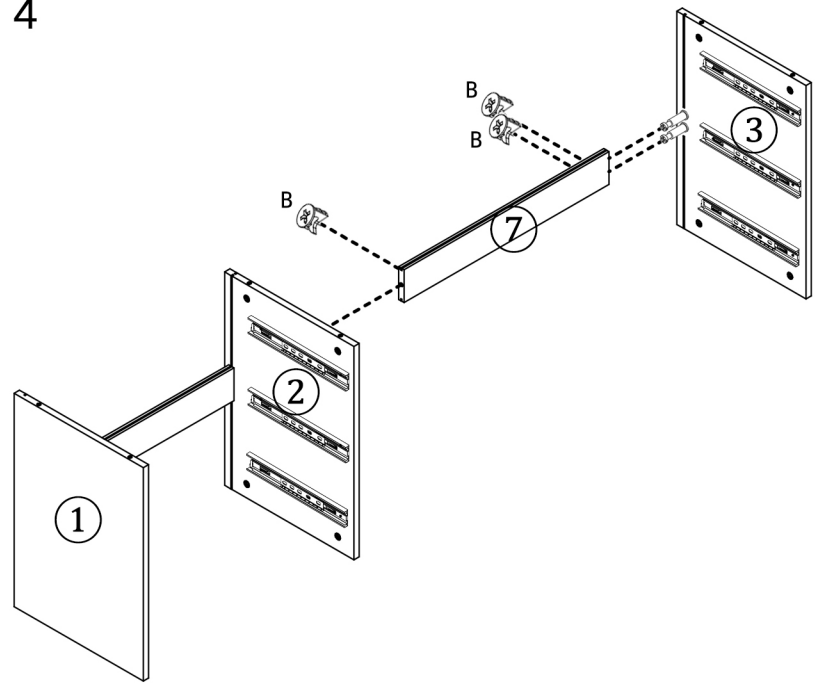
-  A*3
-  C*12
-  KA1*6


STEP 3



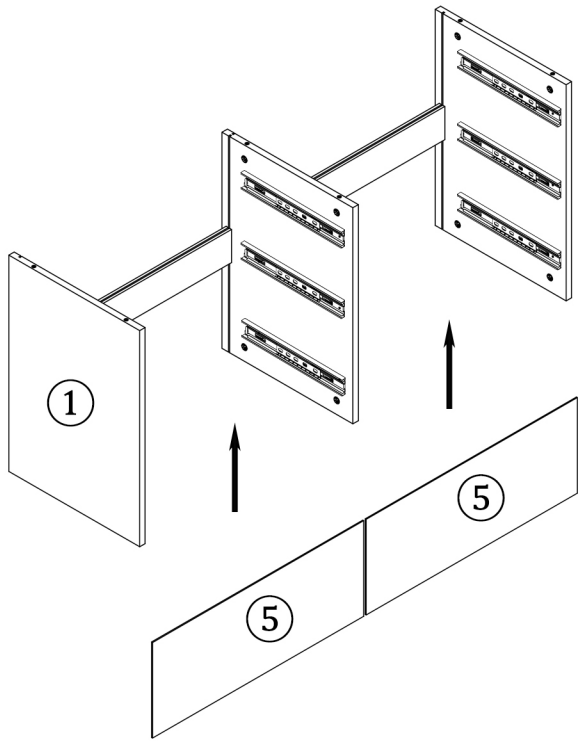
-  B*4

STEP 4

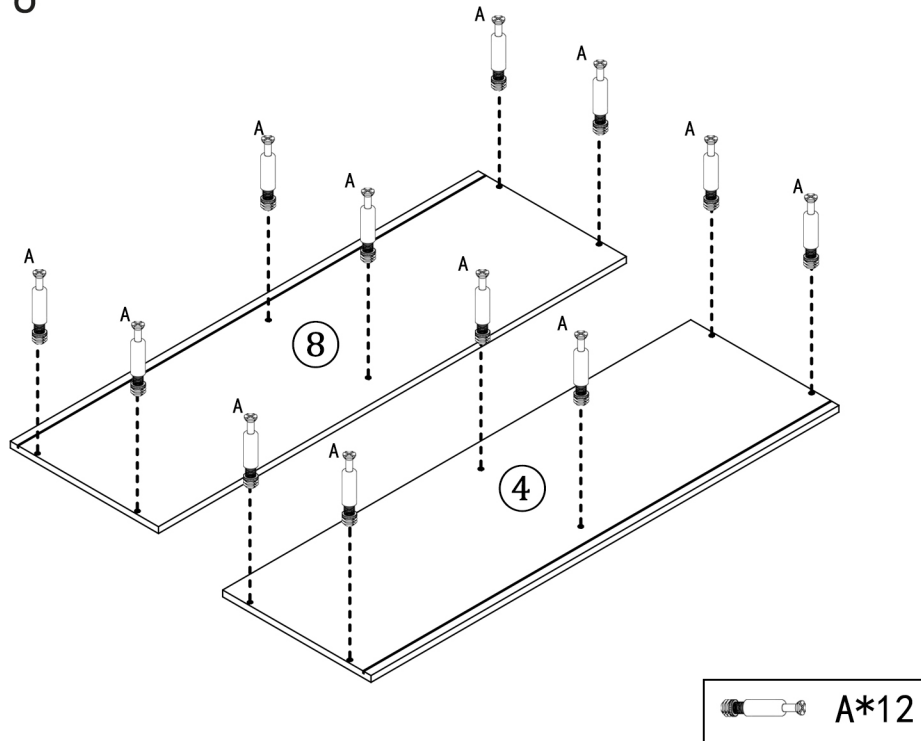



-  B*3

STEP 5

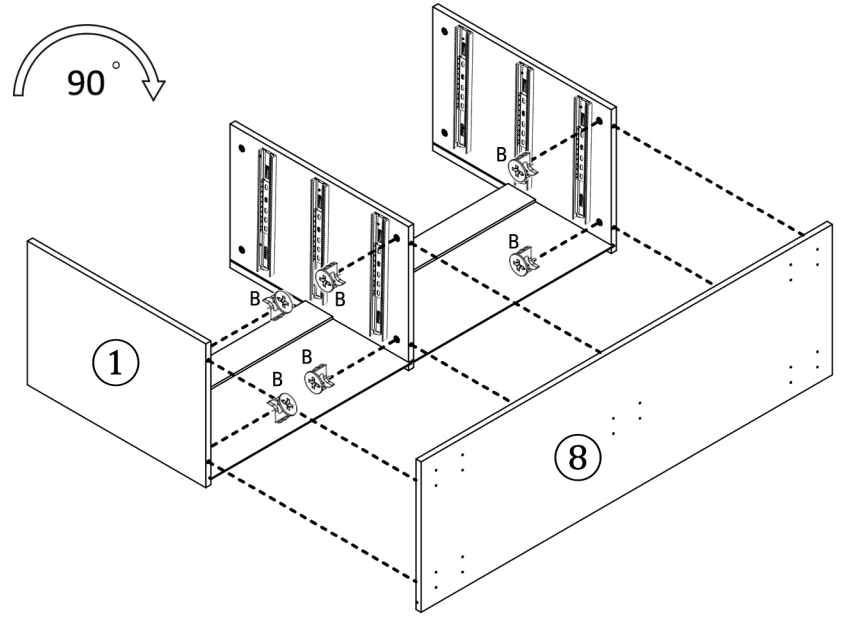


STEP 6



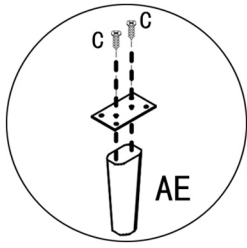
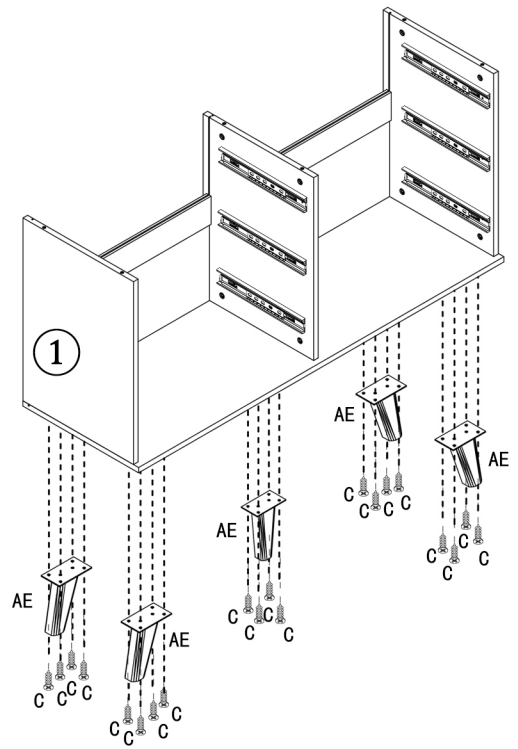
 **A*12**




STEP 7



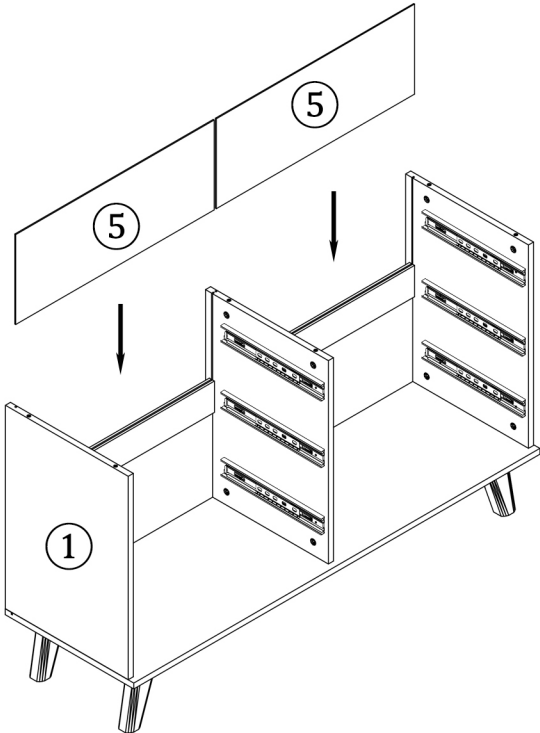
 **B*6**

STEP 8

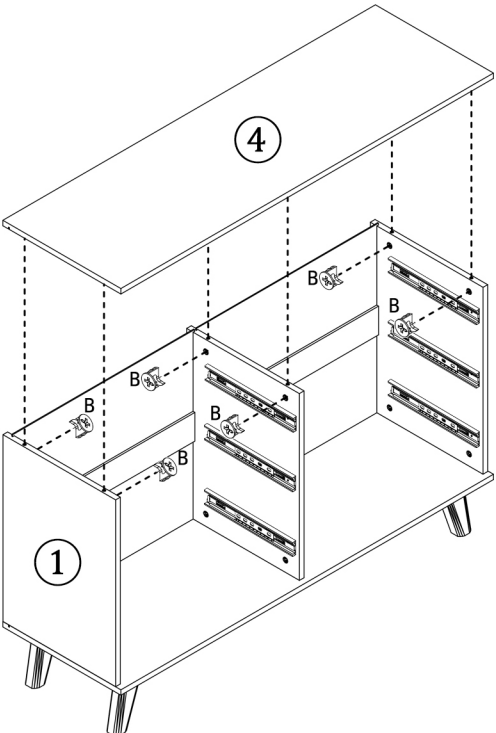



	C*30
	AE*4
	AE*1

STEP 9

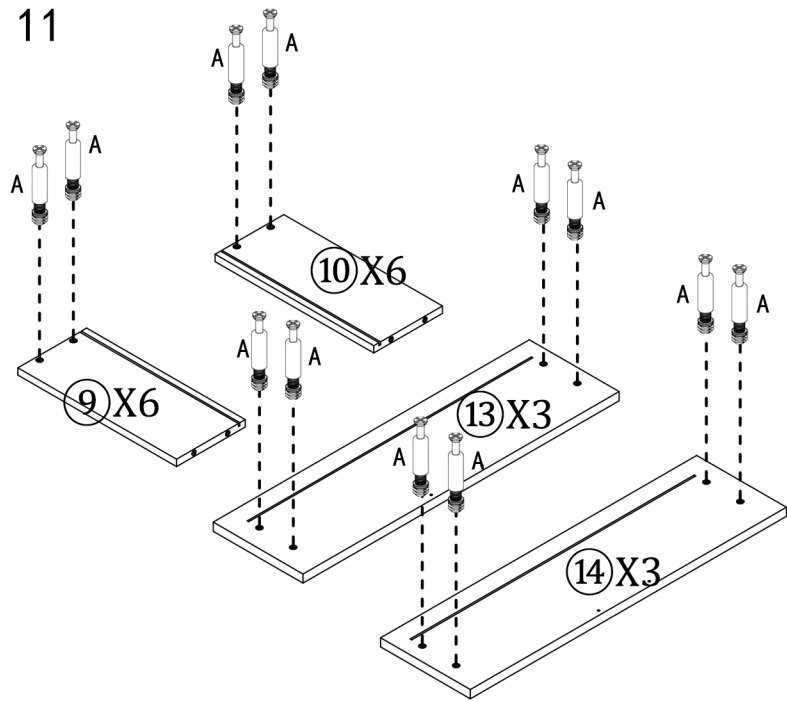


STEP 10



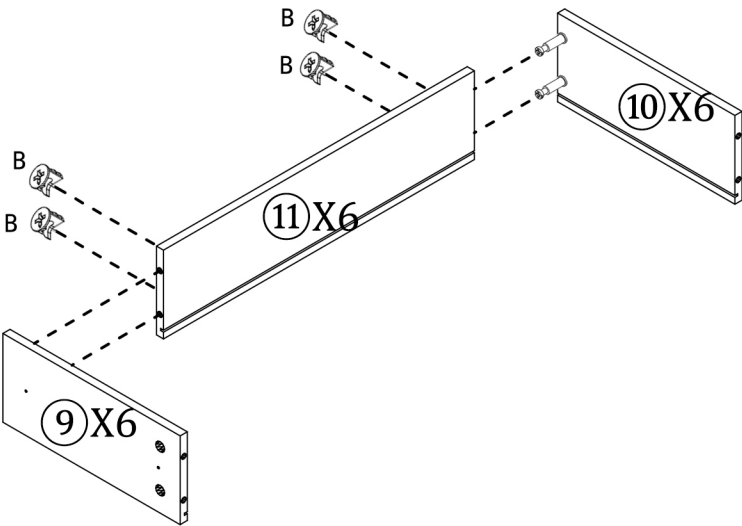
 B*6

STEP 11



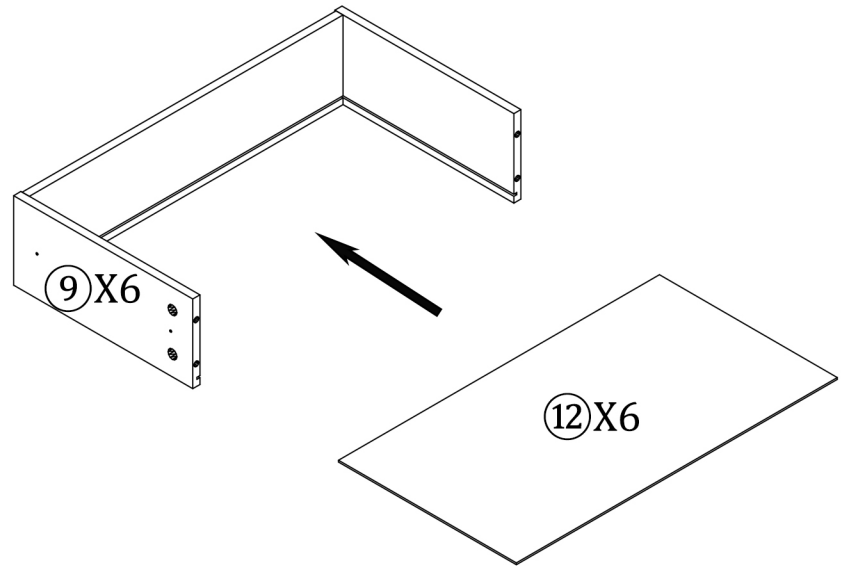
 A*48

STEP 12

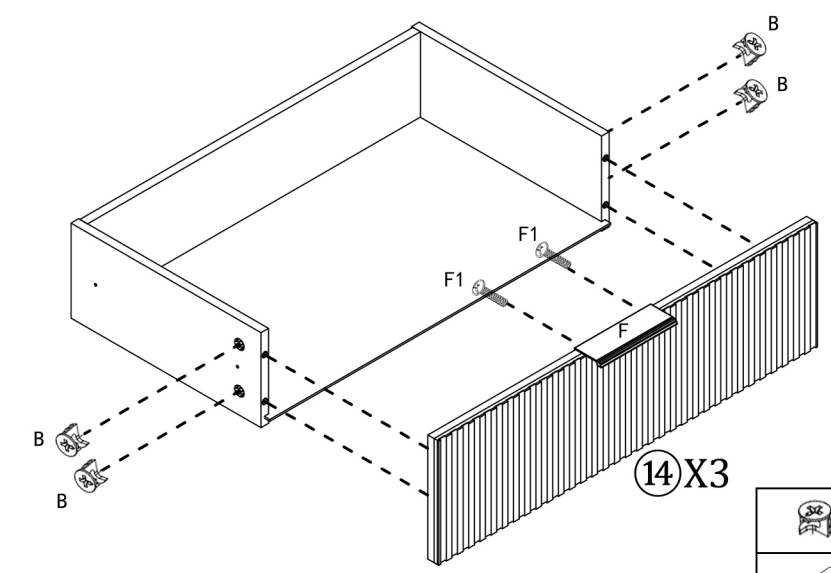


 B*24

STEP 13

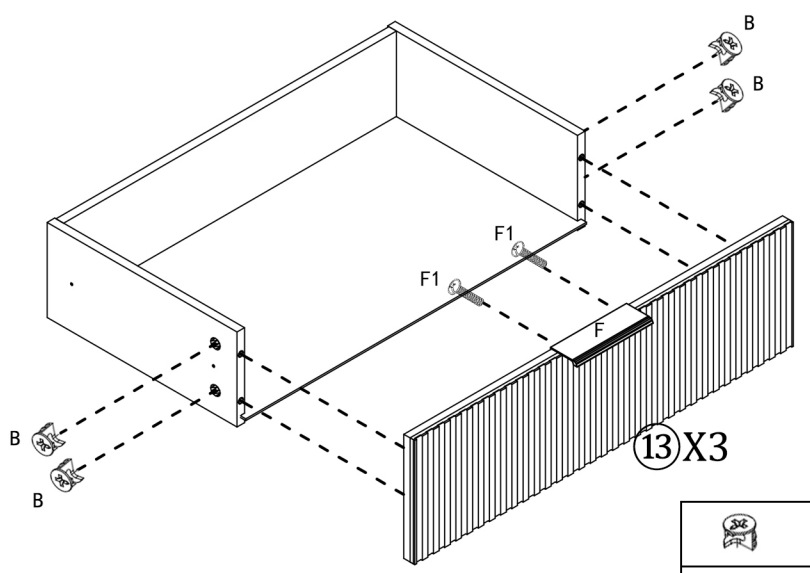


STEP 15



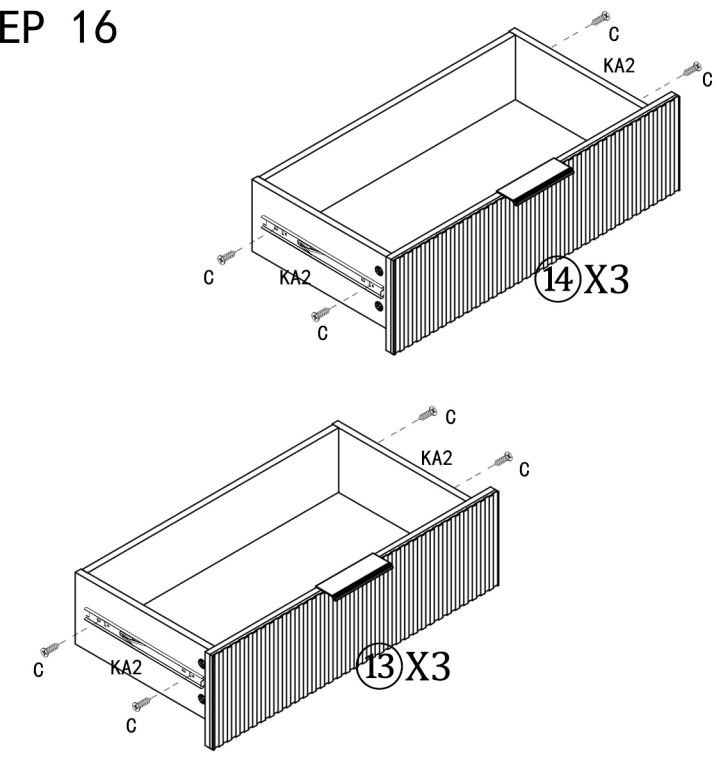
	B*12
	F*3
	F1*6

STEP 14



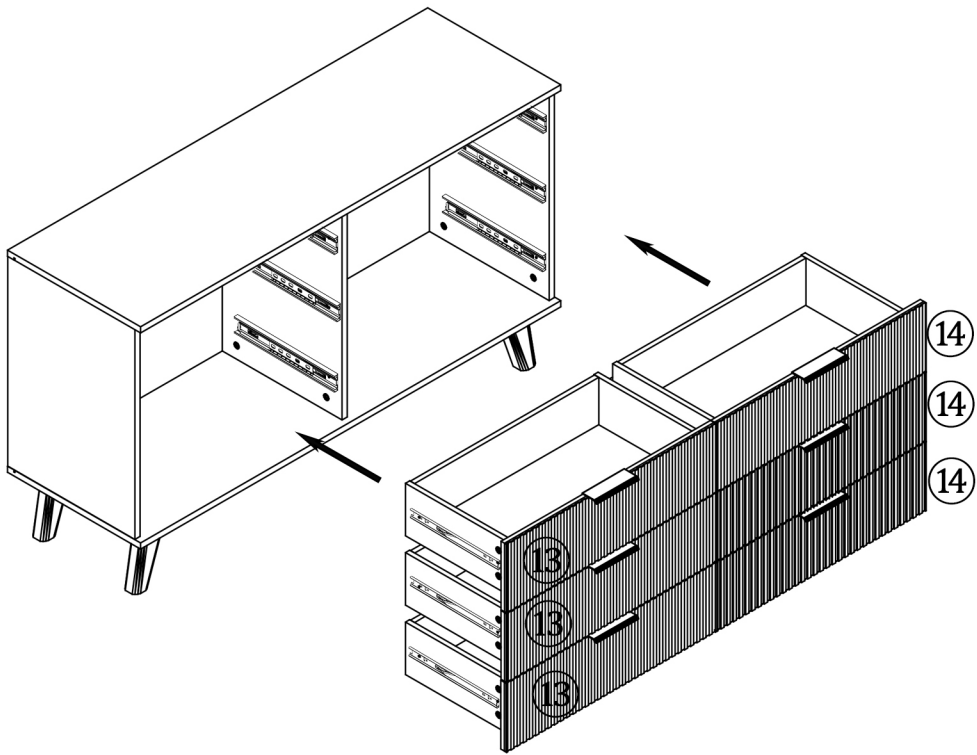
	B*12
	F*3
	F1*6

STEP 16

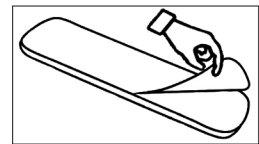
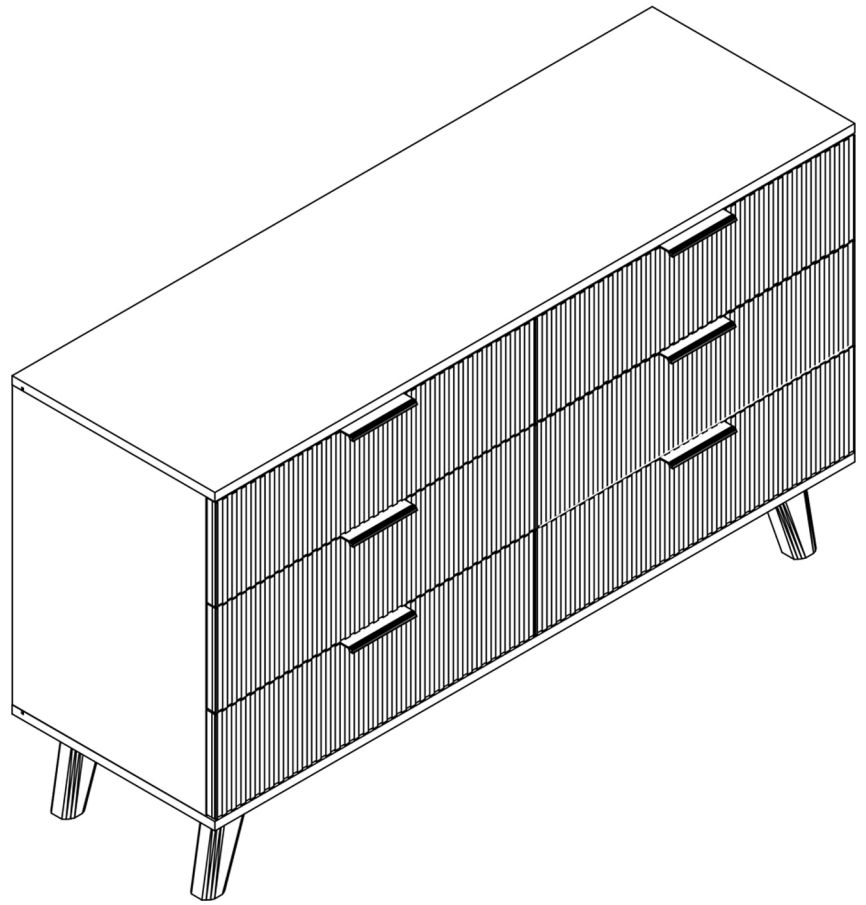


	C*24
	KA2*12

STEP 17



STEP 18



For the high gloss panel,
please peel off the plastic
film after assembling