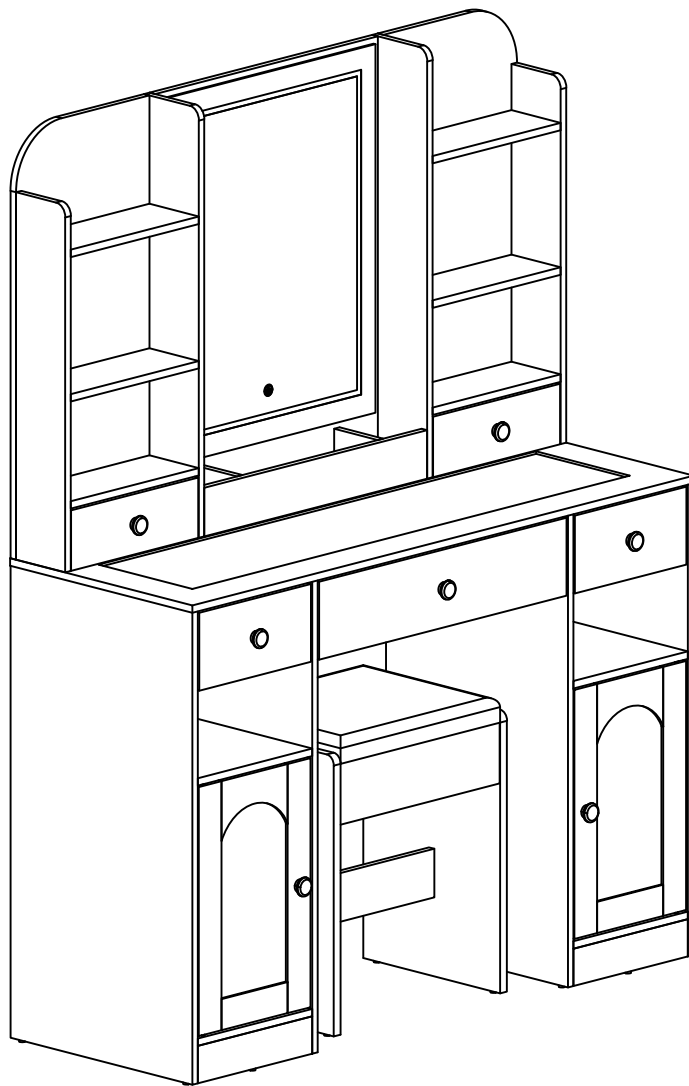


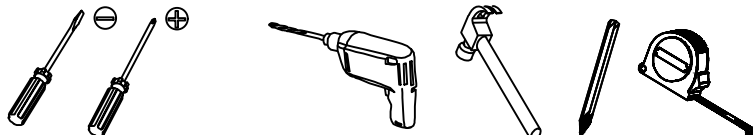
# ASSEMBLY INSTRUCTIONS

**N704P281511K**

Installation Instruction



**Tool Required Not Provided**

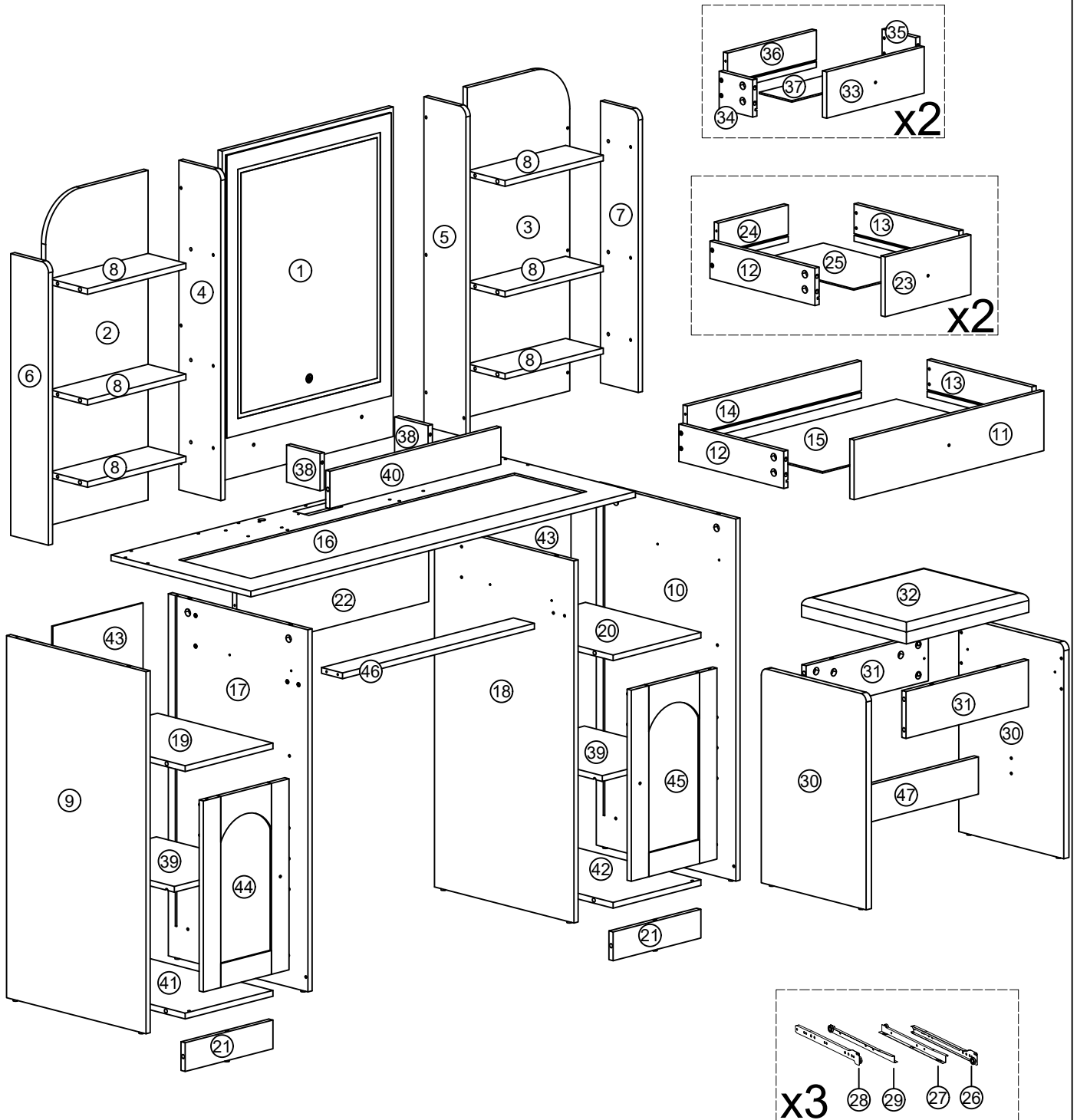


## **WARNING**

- 1.The maximum weight capacity of the product is100kg; do not overload.
- 2.Do not allow children to climb on furniture, as it may cause tipping and serious injury.
- 3.For safety, please install correctly according to the instructions, and seek professional assistance if necessary.
- 4.Do not place furniture near fire sources or hot items to avoid fire risk.
- 5.Do not place furniture in damp environments to prevent material damage.
- 6.Regularly check all connections and fasteners to ensure they are secure to prevent accidents.
- 7.Clean furniture with a damp cloth or alcohol; avoid using cleaners with corrosive chemicals.

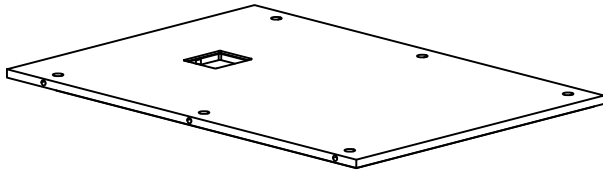
Before installation, insert the screws into the holes and tighten them, but do not tighten them to 100%, 70% to 80% is sufficient. Finally, after all screws are installed, tighten all screws to 100%. If you encounter these issues, such as if the holes cannot be aligned or some parts cannot be installed, please check if the screws are used correctly and adjust the tightness of the screws.

# Parts list

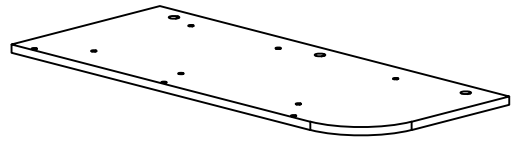


# N704P281511K

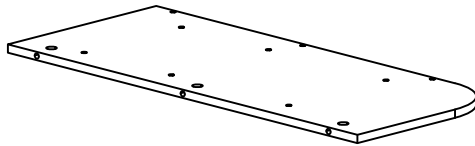
① x1



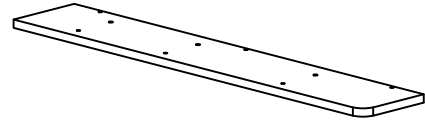
② x1



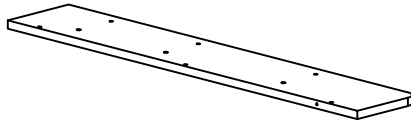
③ x1



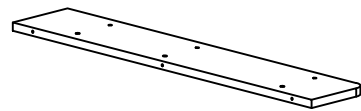
④ x1



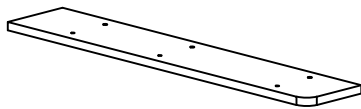
⑤ x1



⑥ x1



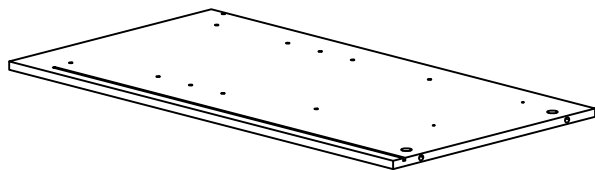
⑦ x1



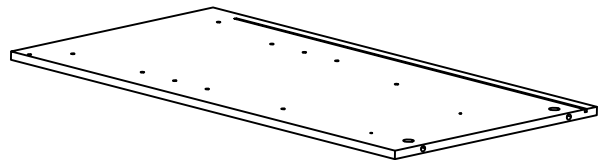
⑧ x6



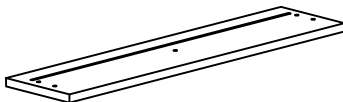
⑨ x1



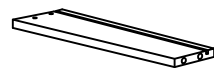
⑩ x1



⑪ x1



⑫ x3



⑬ x3

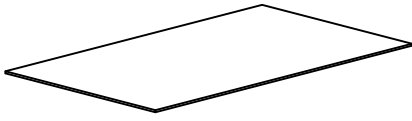


⑭ x1

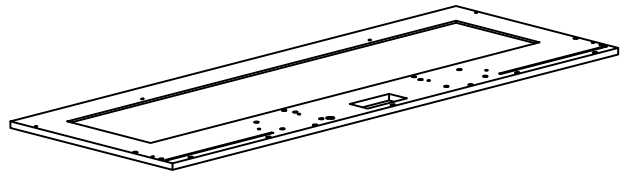


# N704P281511K

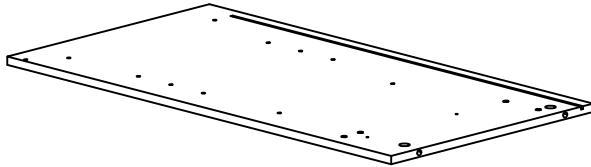
15 x1



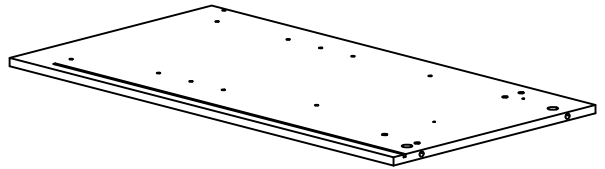
16 x1



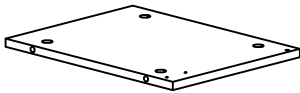
17 x1



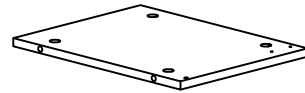
18 x1



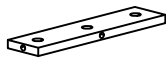
19 x1



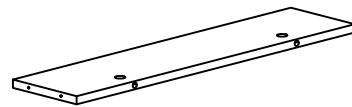
20 x1



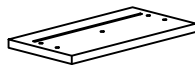
21 x2



22 x1



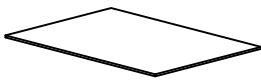
23 x2



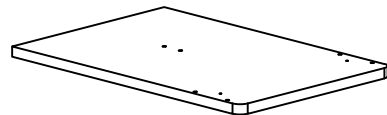
24 x2



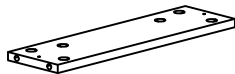
25 x2



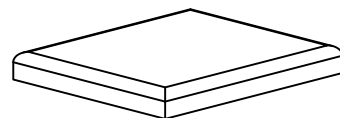
30 x2









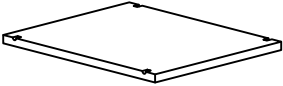

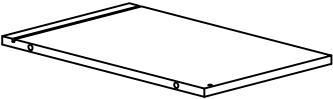
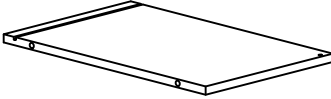
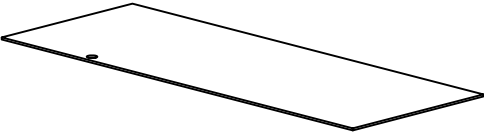
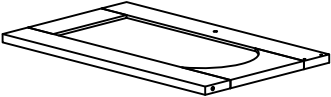
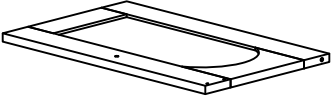


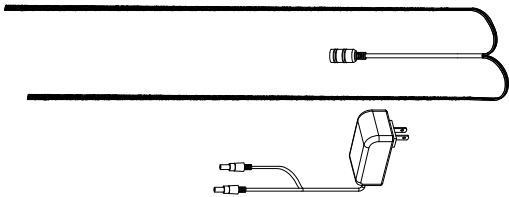
31 x2





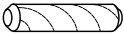


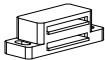



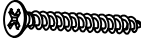

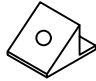

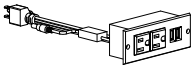




32 x1





# N704P281511K

|   |  |   |
|---|--|---|
| <b>33 x2</b><br>   | <b>34 x2</b><br>    | <b>35 x2</b><br> |
| <b>36 x2</b><br>   | <b>37 x2</b><br>   | <b>38 x2</b><br> |
| <b>39 x2</b><br>   | <b>40 x1</b><br>   |   |
| <b>41 x1</b><br> | <b>42 x1</b><br> |   |
| <b>43 x2</b><br> | <b>44 x1</b><br> |   |
| <b>45 x1</b><br> | <b>46 x1</b><br> |   |
| <b>47 x1</b><br> | <b>48 x1</b><br> |   |

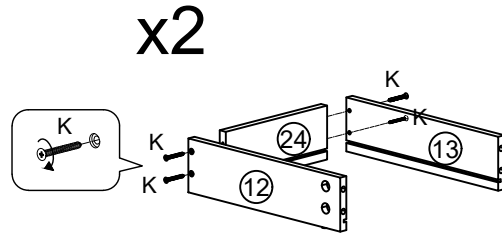
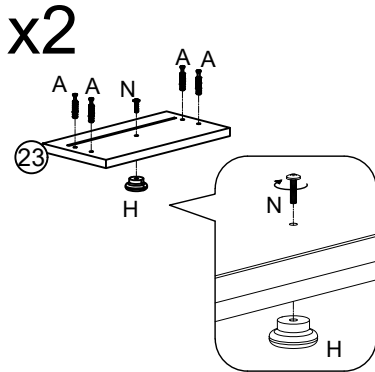
# Hardware

|   |            |   |            |   |            |   |            |   |            |   |            |
|---|------------|---|------------|---|------------|---|------------|---|------------|---|------------|
| <b>A</b>  | <b>x94</b> | <b>B</b>  | <b>x94</b> | <b>C</b>  | <b>x16</b> | <b>D</b>  | <b>x4</b>  | <b>E</b>  | <b>x12</b> | <b>F</b>  | <b>x2</b>  |
|  |            |  |            |  |            |  |            |  |            |  |            |
| Ø6x36mm   |            | Ø15x9.5mm   |            | Ø6x30mm   |            |   |            | 5mm   |            |   |            |
| <b>G</b>  | <b>x2</b>  | <b>H</b>  | <b>x7</b>  | <b>J</b>  | <b>x50</b> | <b>K</b>  | <b>x67</b> | <b>N</b>  | <b>x7</b>  | <b>P</b>  | <b>x12</b> |
|  |            |  |            |  |            |  |            |  |            |  |            |
|   |            |   |            | Ø3.5x12mm   |            | Ø4x35mm   |            | M4x15mm   |            |   |            |
| <b>Q</b>  | <b>x4</b>  | <b>R</b>  | <b>x1</b>  | <b>S</b>  | <b>x2</b>  | <b>T</b>  | <b>x2</b>  | <b>U</b>  | <b>x2</b>  | <b>V</b>  | <b>x2</b>  |
|  |            |  |            |  |            |  |            |  |            |  |            |
| Ø3x15mm   |            |   |            | Φ4x14mm   |            | Φ4x45mm   |            |   |            |   |            |

|   |            |   |           |
|---|------------|---|-----------|
| <b>J</b>  | <b>x50</b> | <b>Q</b>  | <b>x4</b> |
|  |            |  |           |
| Ø3.5x12mm   |            | Ø3x15mm   |           |

Please note that the shapes of screws J and Q are similar. Please install according to the instructions and distinguish them!

1



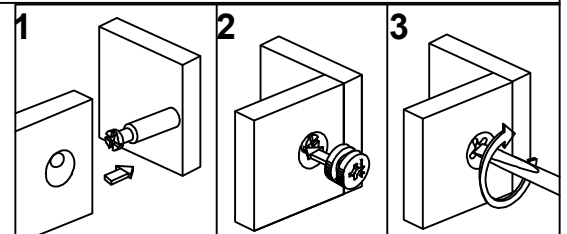
|         |    |
|---------|----|
| A       | x8 |
|         |    |
| Ø6x36mm |    |

|         |    |
|---------|----|
| K       | x8 |
|         |    |
| Ø4x35mm |    |

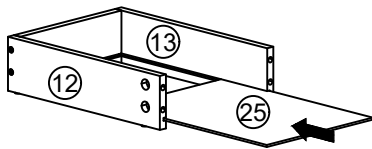
|         |    |
|---------|----|
| N       | x2 |
|         |    |
| M4x15mm |    |

|   |    |
|---|----|
| H | x2 |
|   |    |

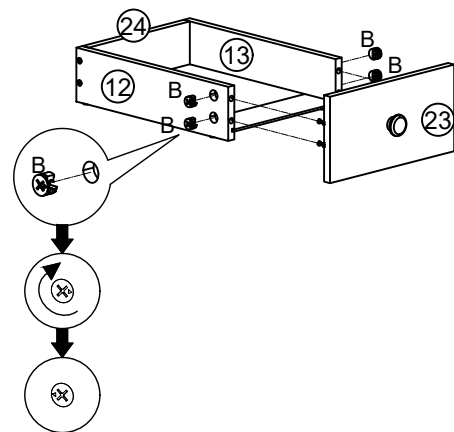
2



x2



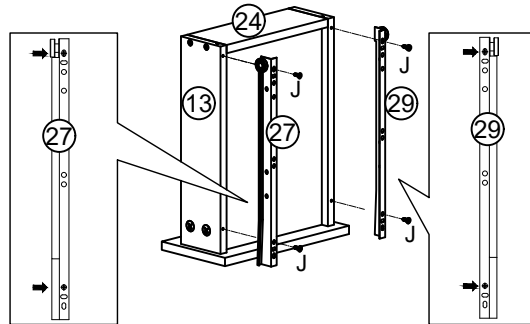
x2






|           |    |
|-----------|----|
| B         | x8 |
|           |    |
| Ø15x9.5mm |    |

3

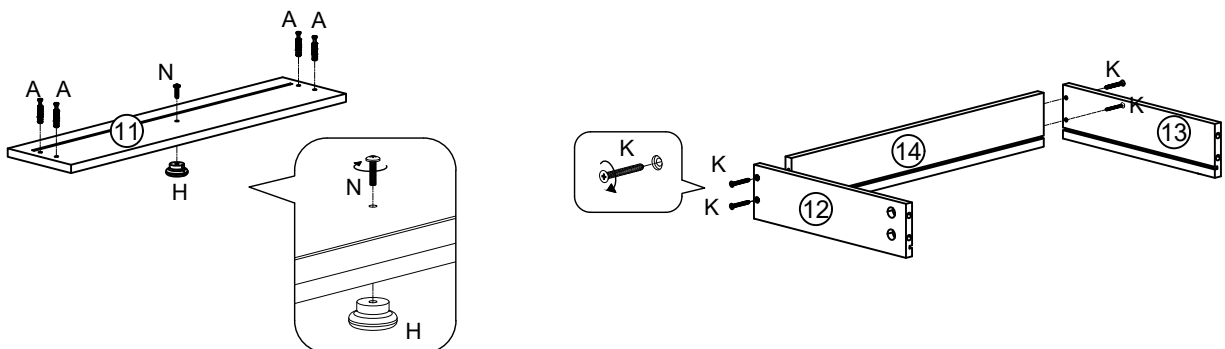
x2





|   |   |
|---|---|
| J   | 8 |
|  |   |
| <b>Ø3.5x12mm</b>  |   |

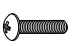
|   |   |
|---|---|
| J   | Q   |
|  |  |
| <b>Ø3.5x12mm</b>  | <b>Ø3x15mm</b>  |


4



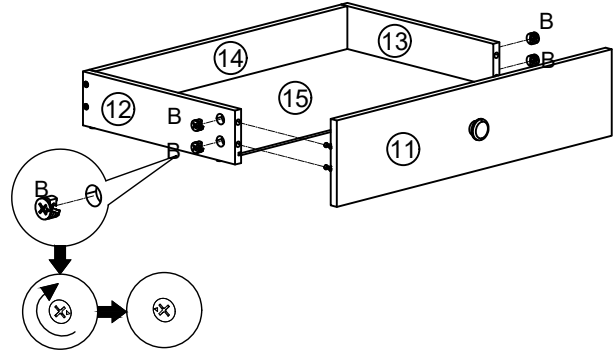
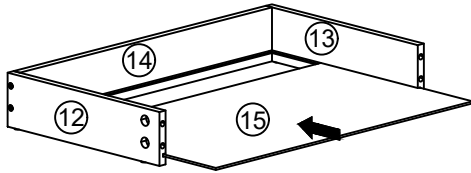
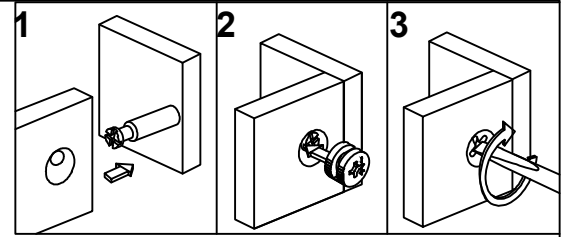
|   |    |
|---|----|
| A   | x4 |
|  |    |
| <b>Ø6x36mm</b>  |    |

|   |    |
|---|----|
| K   | x4 |
|  |    |
| <b>Ø4x35mm</b>  |    |

|   |    |
|---|----|
| N   | x1 |
|  |    |
| <b>M4x15mm</b>  |    |

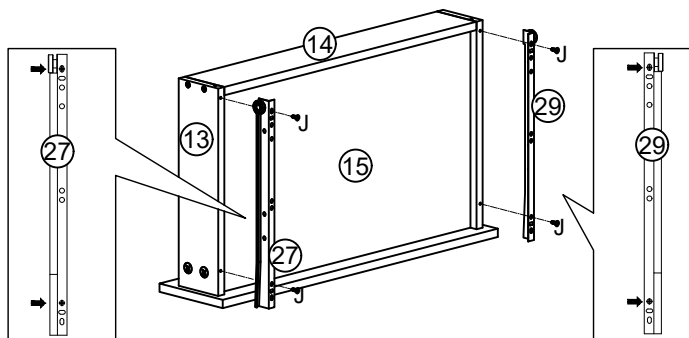
|   |    |
|---|----|
| H   | x1 |
|  |    |

5



|                                    |    |
|------------------------------------|----|
| B                                  | x4 |
|                                    |    |
| $\text{\O}15 \times 9.5 \text{mm}$ |    |

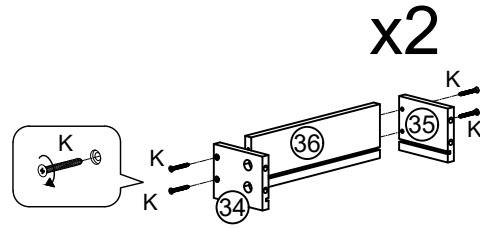
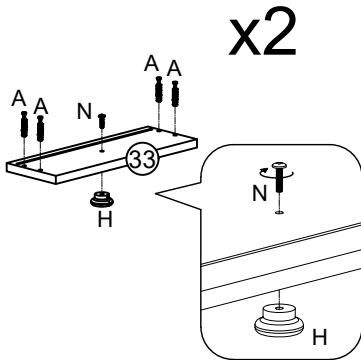
6





|                                    |   |
|------------------------------------|---|
| J                                  | 4 |
|                                    |   |
| $\text{\O}3.5 \times 12 \text{mm}$ |   |


|   |   |
|---|---|
| J | Q |
|   |   |


7



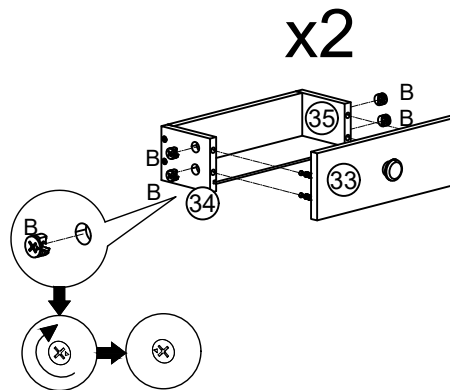
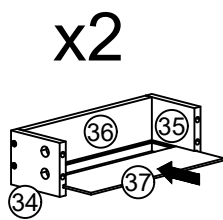
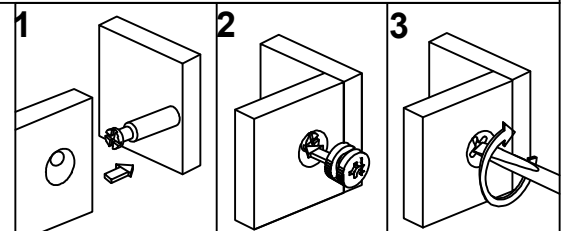
|   |           |
|---|-----------|
| <b>A</b>  | <b>x8</b> |
|  |           |
| <b>Ø6x36mm</b>  |           |


|   |           |
|---|-----------|
| <b>K</b>  | <b>x8</b> |
|  |           |
| <b>Ø4x35mm</b>  |           |

|   |           |
|---|-----------|
| <b>N</b>  | <b>x2</b> |
|  |           |
| <b>M4x15mm</b>  |           |

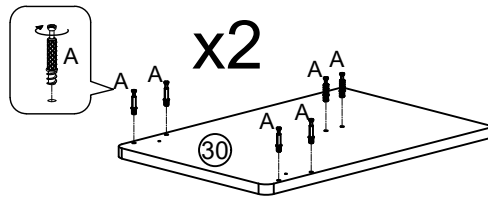
|   |           |
|---|-----------|
| <b>H</b>  | <b>x2</b> |
|  |           |


8



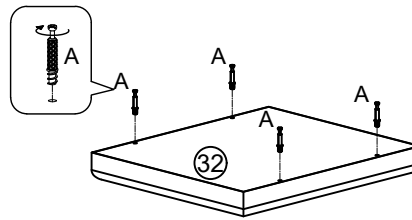
|   |           |
|---|-----------|
| <b>B</b>  | <b>x8</b> |
|  |           |
| <b>Ø15x9.5mm</b>  |           |


9



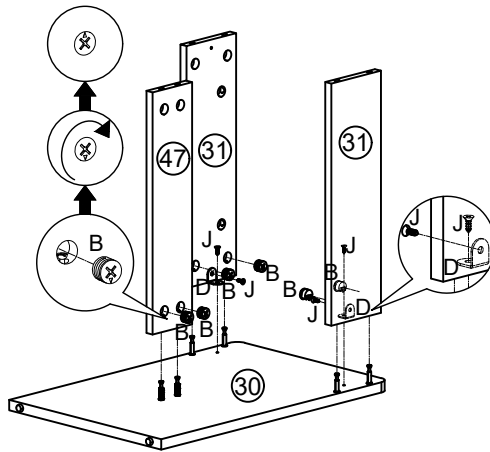
|   |     |
|---|-----|
| A   | x12 |
|  |     |
| Ø6x36mm   |     |


10





|   |    |
|---|----|
| A   | x4 |
|  |    |
| Ø6x36mm   |    |



11



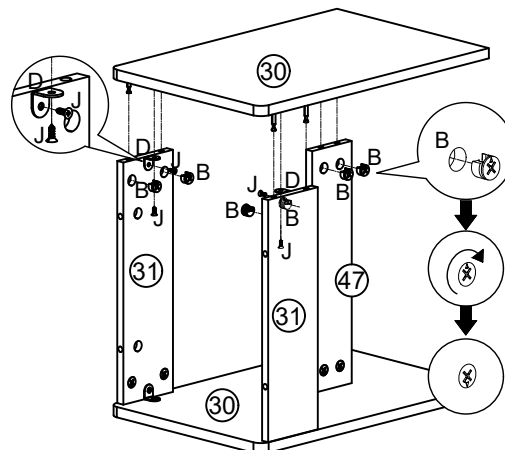
|   |    |
|---|----|
| J   | x4 |
|  |    |
| Ø3.5x12mm   |    |


|   |    |
|---|----|
| D   | x2 |
|  |    |


|   |    |
|---|----|
| B   | x6 |
|  |    |
| Ø15x9.5mm   |    |


|  |   |
|--|---|
| J  | Q   |
|  |  |
| Ø3.5x12mm  | Ø3x15mm   |



12



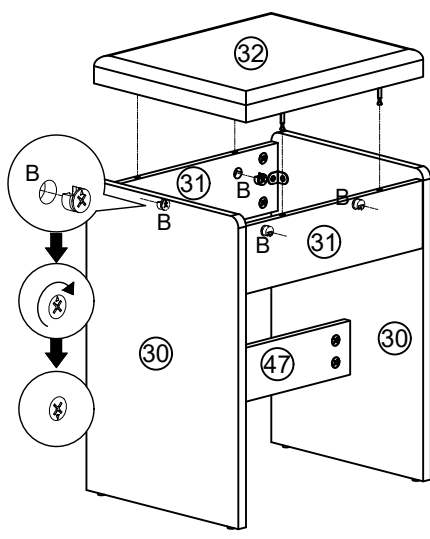
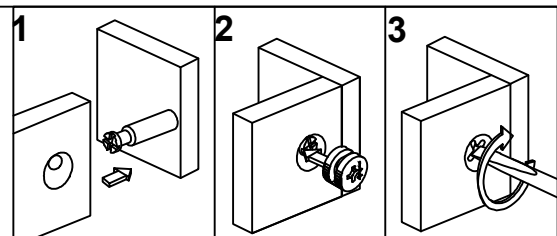
|   |    |
|---|----|
| J   | x4 |
|  |    |
| Ø3.5x12mm   |    |


|   |    |
|---|----|
| B   | x6 |
|  |    |
| Ø15x9.5mm   |    |

|   |    |
|---|----|
| D   | x2 |
|  |    |

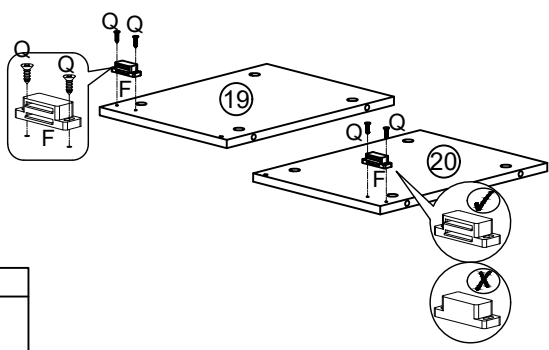
|   |   |
|---|---|
| J   | Q   |
|  |  |


13

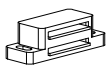



|   |    |
|---|----|
| B   | x4 |
|  |    |
| $\text{\O}15 \times 9.5 \text{mm}$  |    |

14

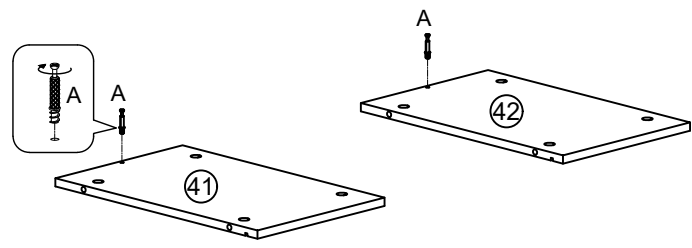



|   |    |
|---|----|
| Q   | x4 |
|  |    |
| $\text{\O}3 \times 15 \text{mm}$  |    |

|   |    |
|---|----|
| F   | x2 |
|  |    |

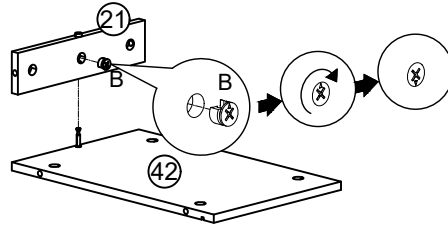
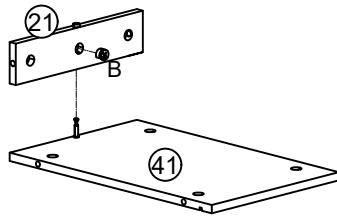
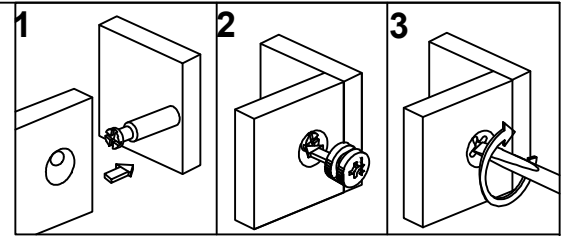
|  |                                  |
|--|----------------------------------|
| <del></del> | Q                                |
| <del><math>\text{\O}3.5 \times 12 \text{mm}</math></del>   | $\text{\O}3 \times 15 \text{mm}$ |

15



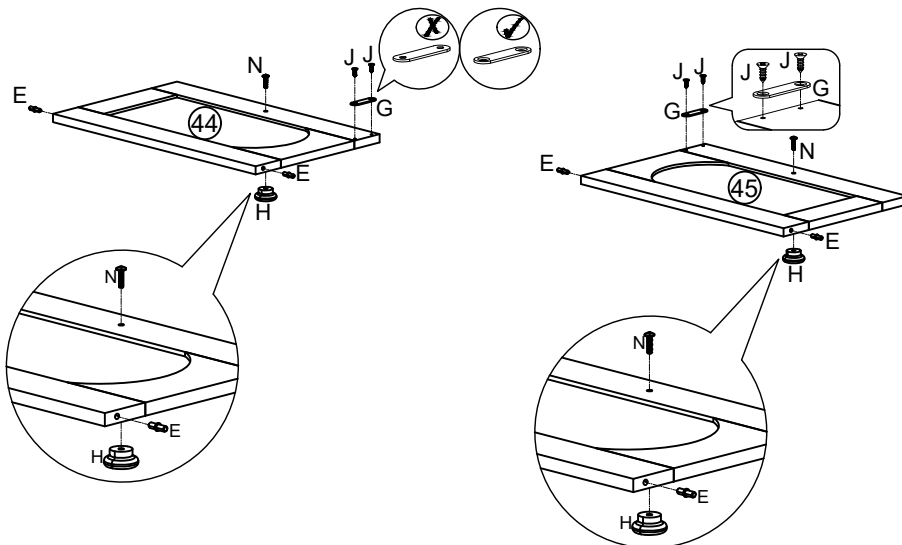
|   |    |
|---|----|
| A   | x2 |
|  |    |
| $\text{\O}6 \times 36 \text{mm}$  |    |

16



|                  |    |
|------------------|----|
| B                | x2 |
|                  |    |
| <b>Ø15x9.5mm</b> |    |

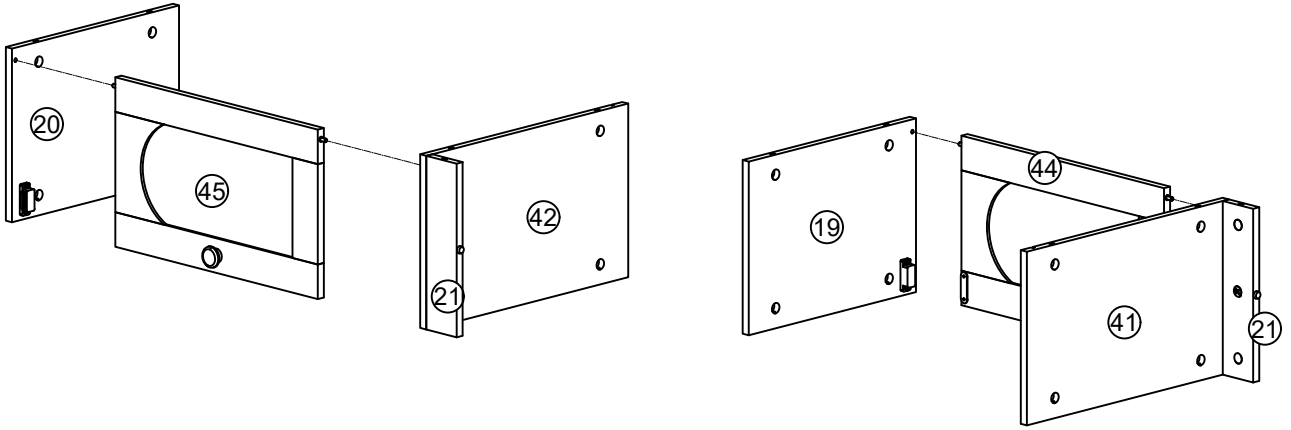
17



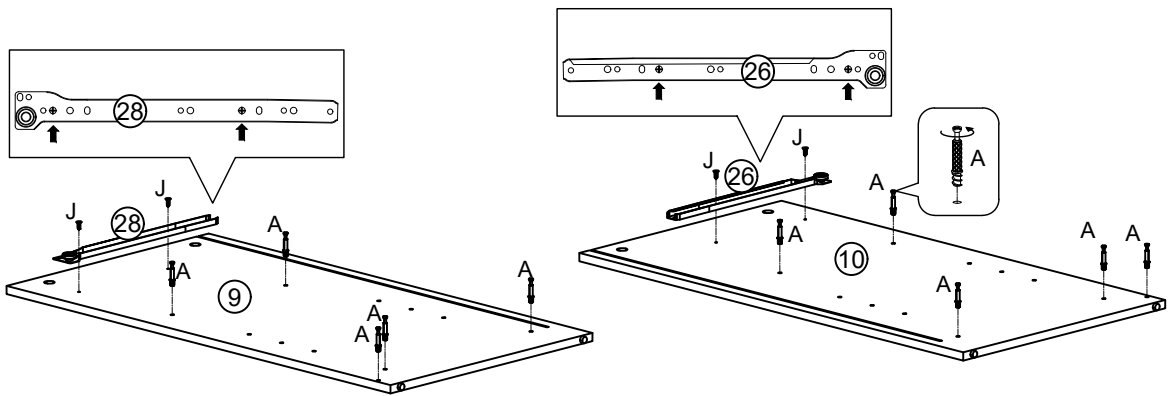
|                |    |   |    |   |    |                  |    |            |    |
|----------------|----|---|----|---|----|------------------|----|------------|----|
| G              | x2 | N | x2 | H | x2 | J                | x4 | E          | x4 |
|                |    |   |    |   |    |                  |    |            |    |
| <b>M4x15mm</b> |    |   |    |   |    | <b>Ø3.5x12mm</b> |    | <b>5mm</b> |    |

Ø3.5x12mm Ø3x15mm

18

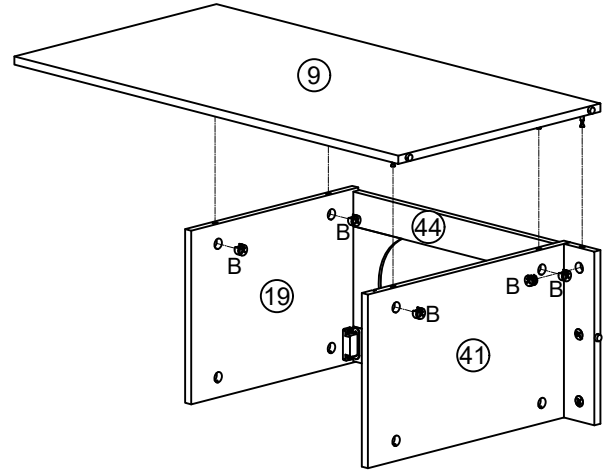
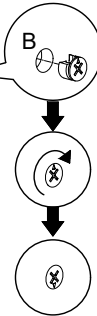
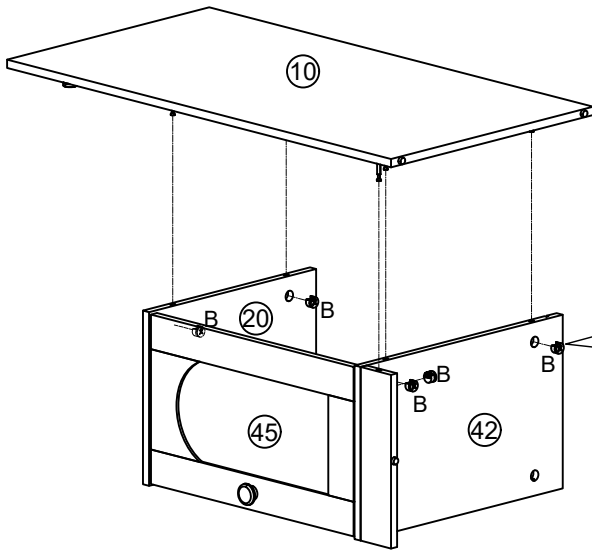
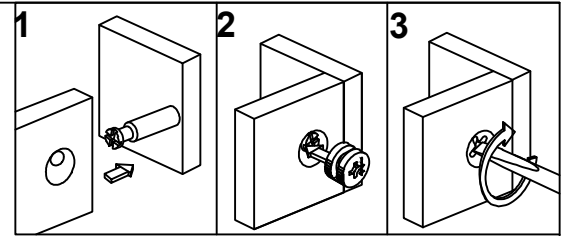



19



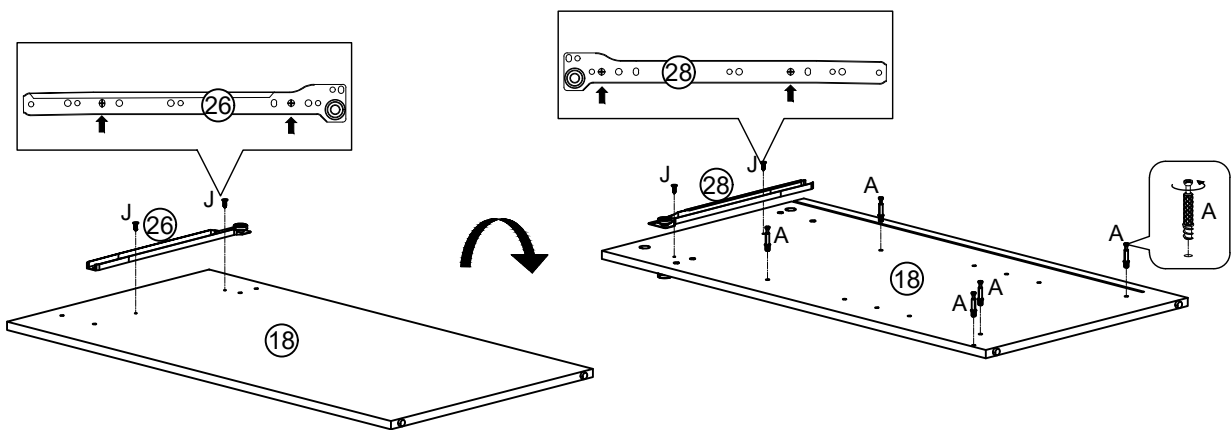
|         |     |           |    |
|---------|-----|-----------|----|
| A       | x10 | J         | x4 |
|         |     |           |    |
| Ø6x36mm |     | Ø3.5x12mm |    |



20





|   |     |
|---|-----|
| B   | x10 |
|  |     |
| $\text{Ø}15 \times 9.5 \text{mm}$   |     |

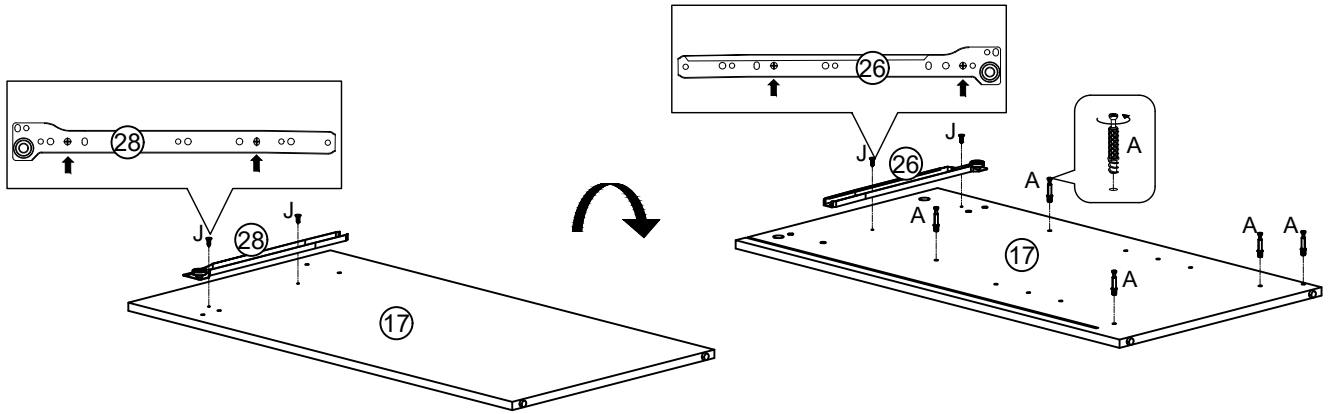
21







|   |    |   |    |
|---|----|---|----|
| A   | x5 | J   | x4 |
|  |    |  |    |
| $\text{Ø}6 \times 36 \text{mm}$   |    | $\text{Ø}3.5 \times 12 \text{mm}$   |    |

|   |   |
|---|---|
| J   | Q   |
|  |  |
| $\text{Ø}3.5 \times 12 \text{mm}$   | $\text{Ø}3 \times 15 \text{mm}$   |

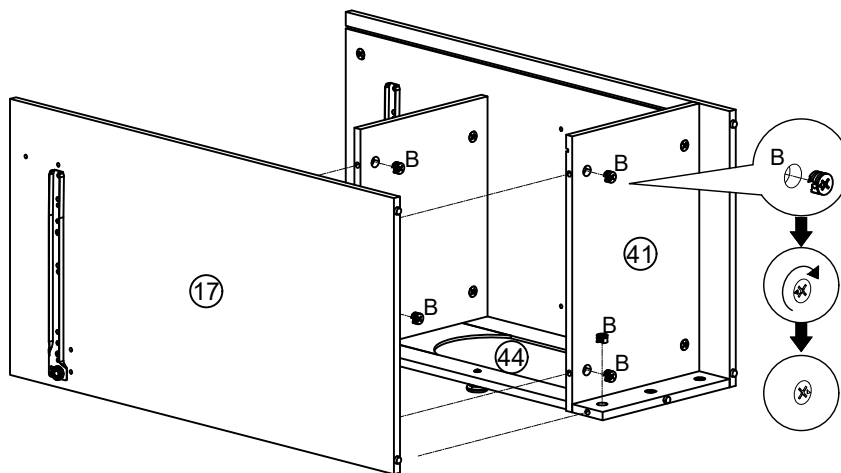
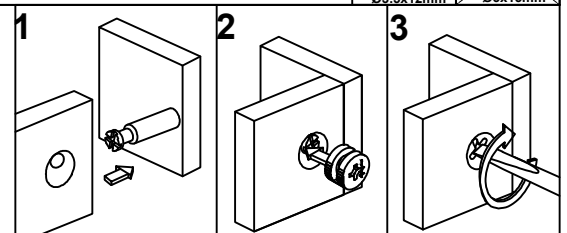
22




|   |    |   |    |
|---|----|---|----|
| A   | x5 | J   | x4 |
|  |    |  |    |
| Ø6x36mm   |    | Ø3.5x12mm   |    |

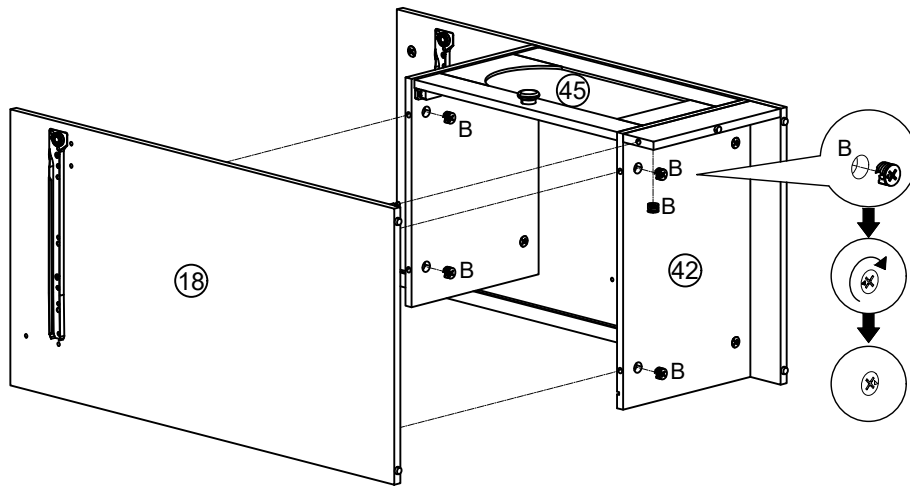
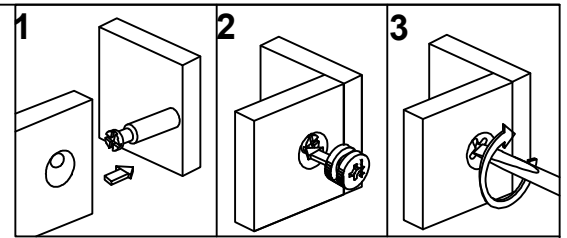
|   |   |
|---|---|
| J   | Q   |
|  |  |
| Ø3.5x12mm   | Ø3x15mm   |

23



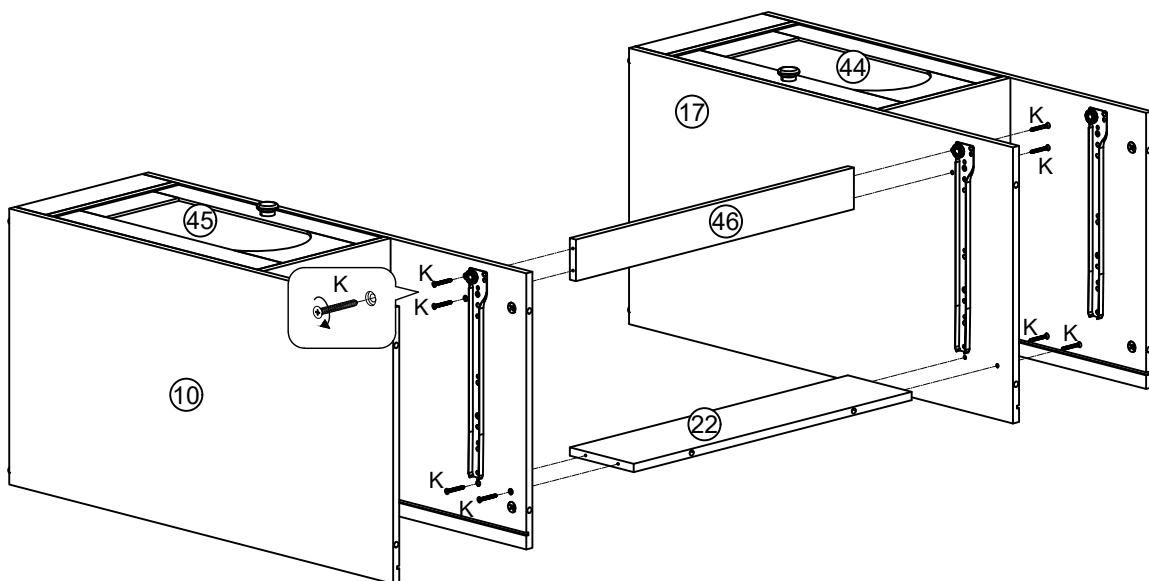
|   |    |
|---|----|
| B   | x5 |
|  |    |
| Ø15x9.5mm   |    |

24



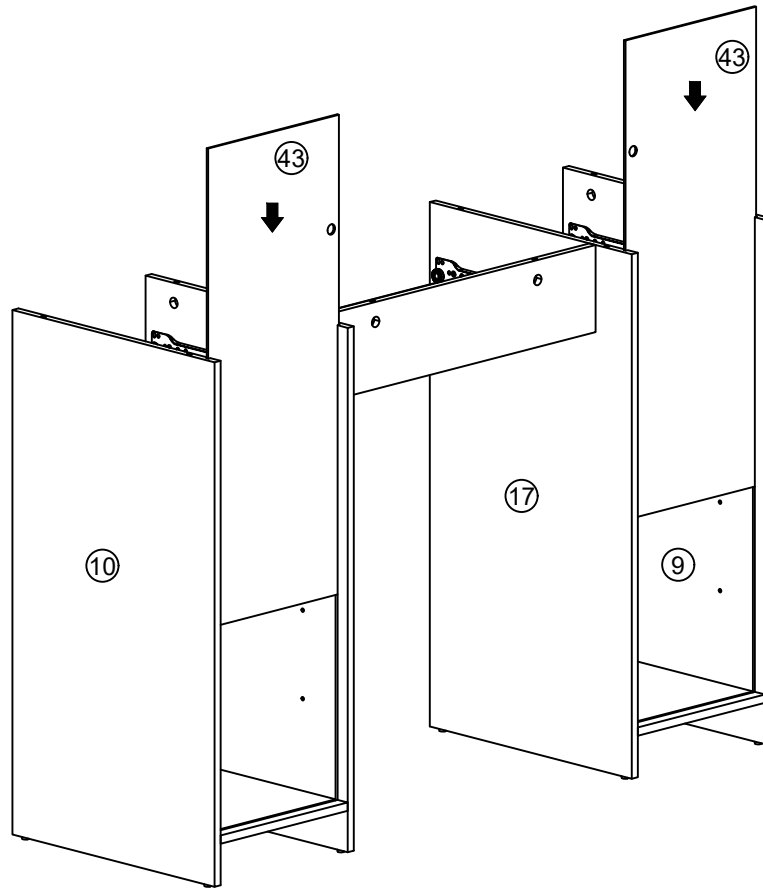
|                                    |    |
|------------------------------------|----|
| B                                  | x5 |
|                                    |    |
| $\text{\O}15 \times 9.5 \text{mm}$ |    |

25



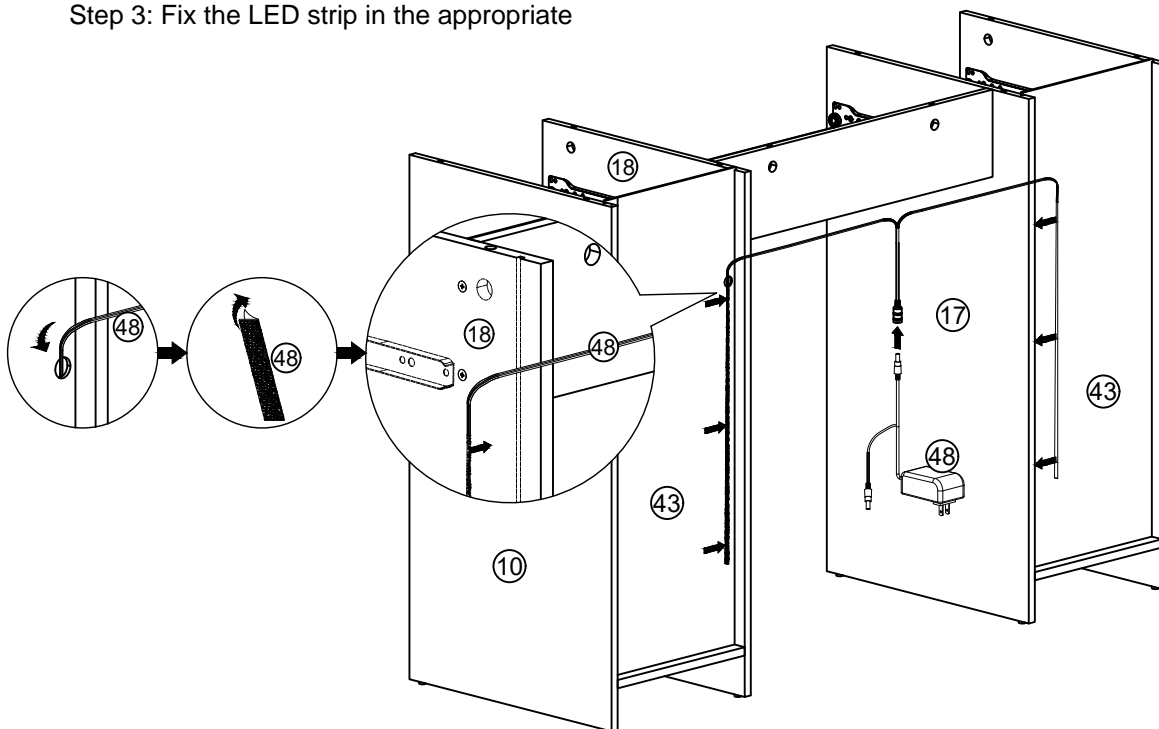
|                                  |    |
|----------------------------------|----|
| K                                | x8 |
|                                  |    |
| $\text{\O}4 \times 35 \text{mm}$ |    |

26

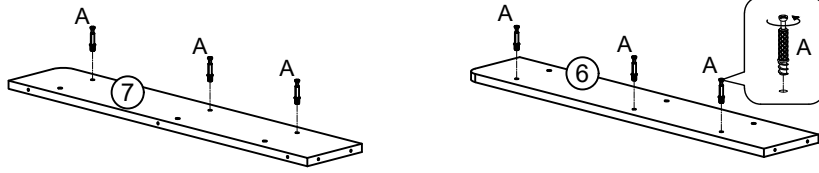



27

Step 1: Push the LED strip 48 through the backboard hole  
Step 2: Peel off the double-sided adhesive on sides of the LED strip  
Step 3: Fix the LED strip in the appropriate

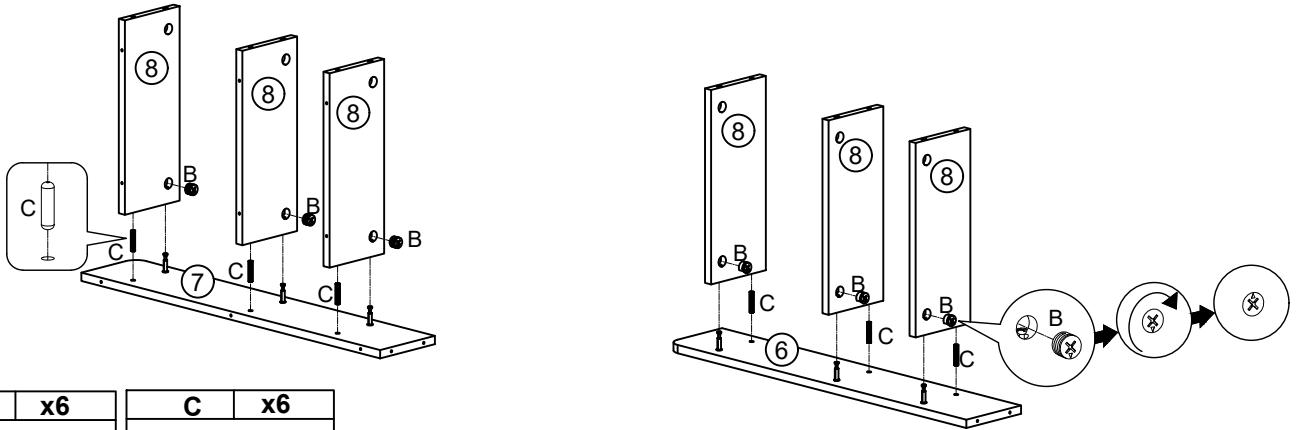



28

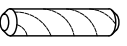


|   |    |
|---|----|
| A   | x6 |
|  |    |
| $\varnothing 6 \times 36 \text{mm}$   |    |

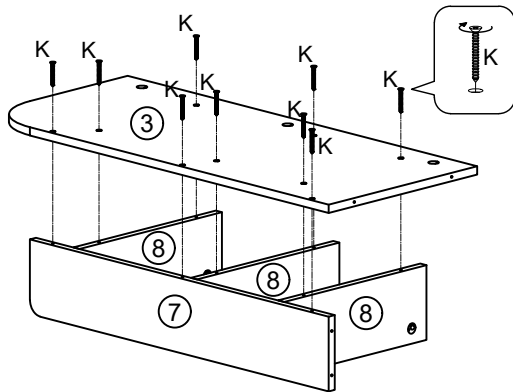
29

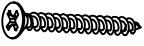


|   |    |
|---|----|
| B   | x6 |
|  |    |
| $\varnothing 15 \times 9.5 \text{mm}$   |    |

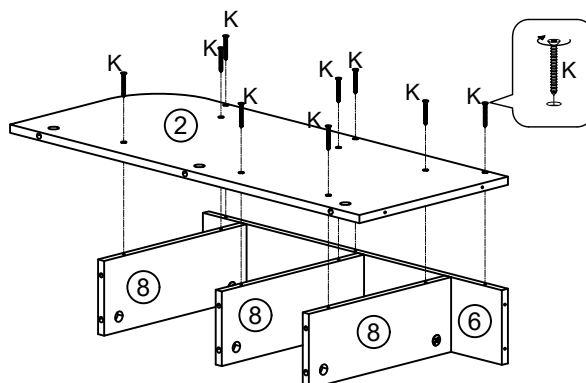
|   |    |
|---|----|
| C   | x6 |
|  |    |
| $\varnothing 6 \times 30 \text{mm}$   |    |


30



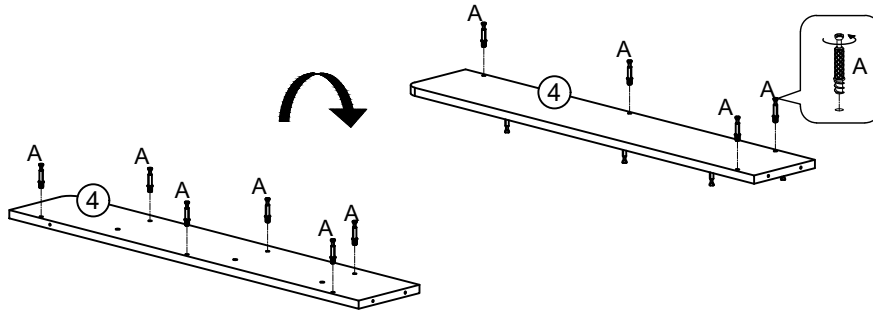
|   |    |
|---|----|
| K   | x9 |
|  |    |
| $\varnothing 4 \times 35 \text{mm}$   |    |


31



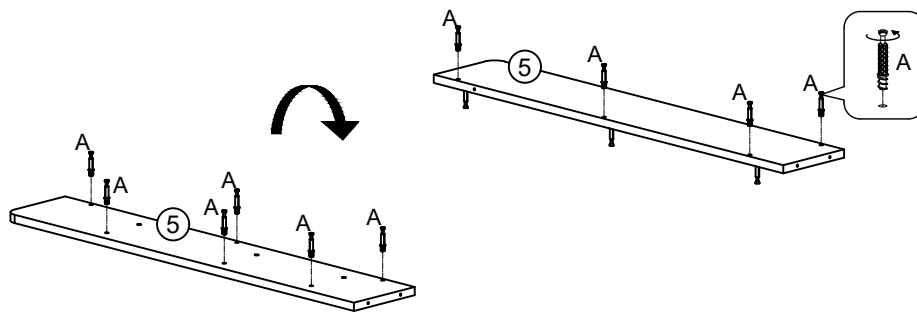
|   |    |
|---|----|
| K   | x9 |
|  |    |
| $\varnothing 4 \times 35 \text{mm}$   |    |


32



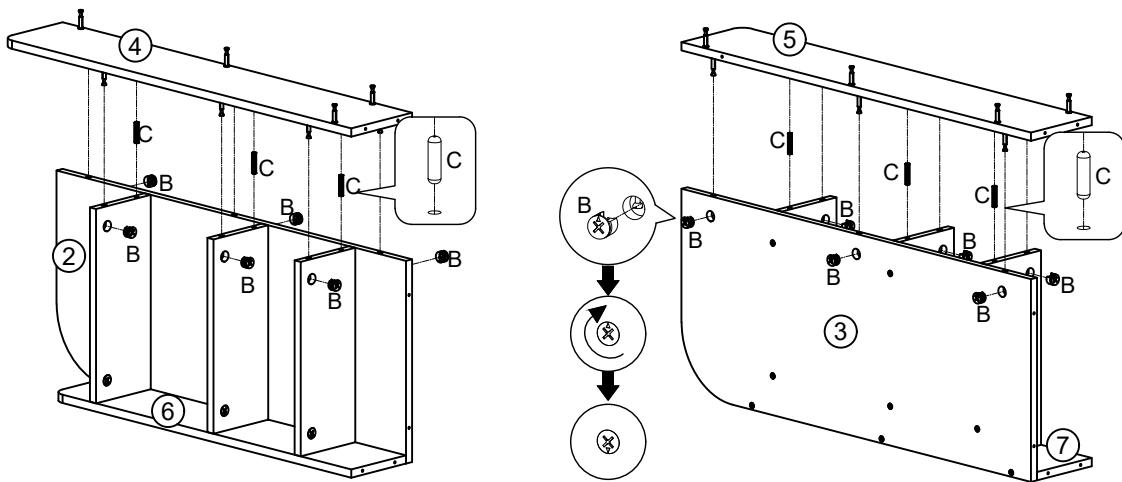
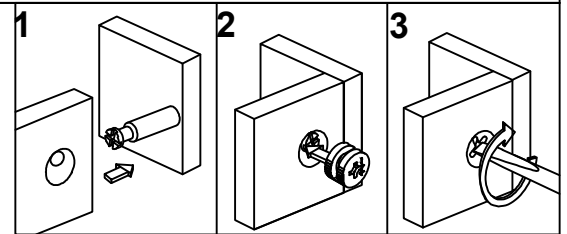
|   |     |
|---|-----|
| A   | x10 |
|  |     |
| $\text{Ø}6 \times 36 \text{mm}$   |     |


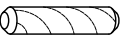
33



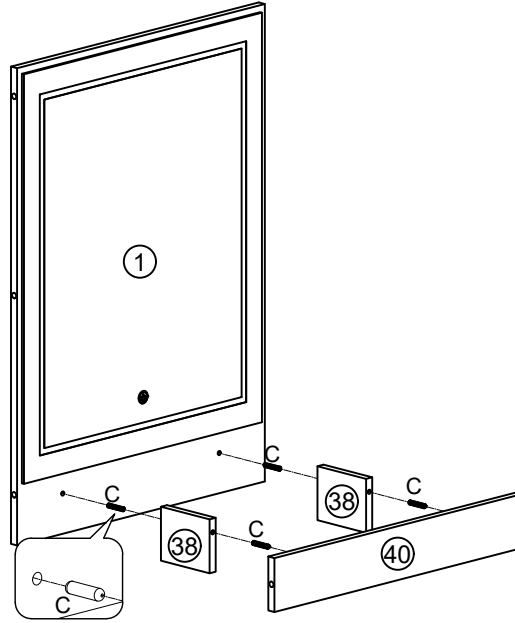
|   |     |
|---|-----|
| A   | x10 |
|  |     |
| $\text{Ø}6 \times 36 \text{mm}$   |     |

34



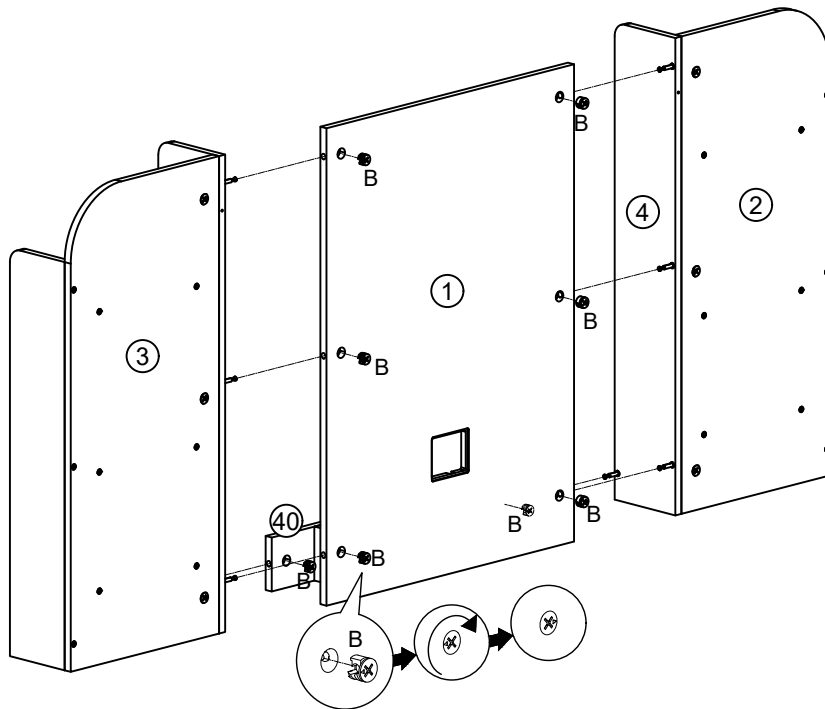
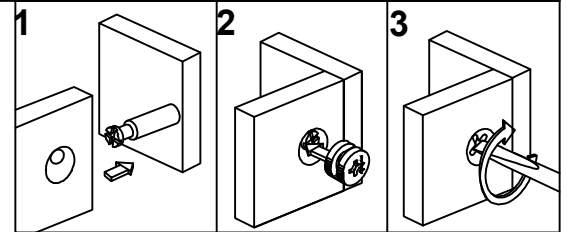
|   |     |   |    |
|---|-----|---|----|
| B   | x12 | C   | x6 |
|  |     |  |    |
| $\text{Ø}15 \times 9.5 \text{mm}$   |     | $\text{Ø}6 \times 30 \text{mm}$   |    |

35



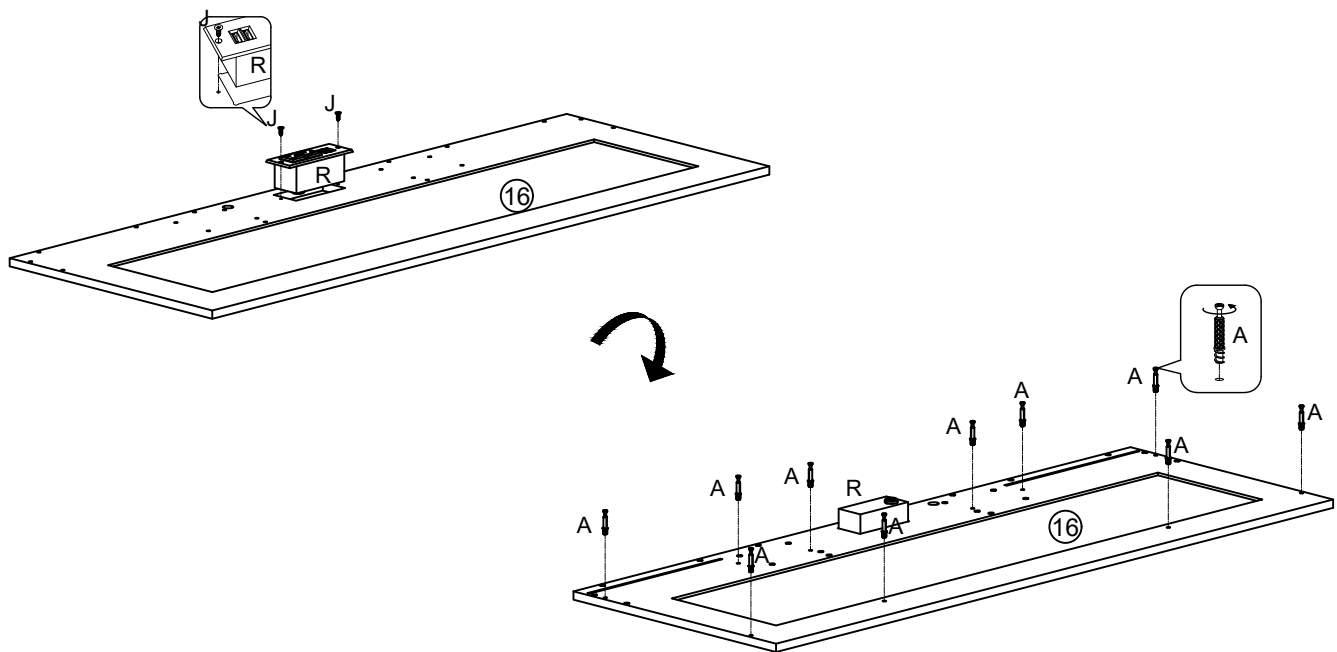
|         |    |
|---------|----|
| C       | x4 |
|         |    |
| Ø6x30mm |    |



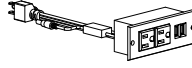
36



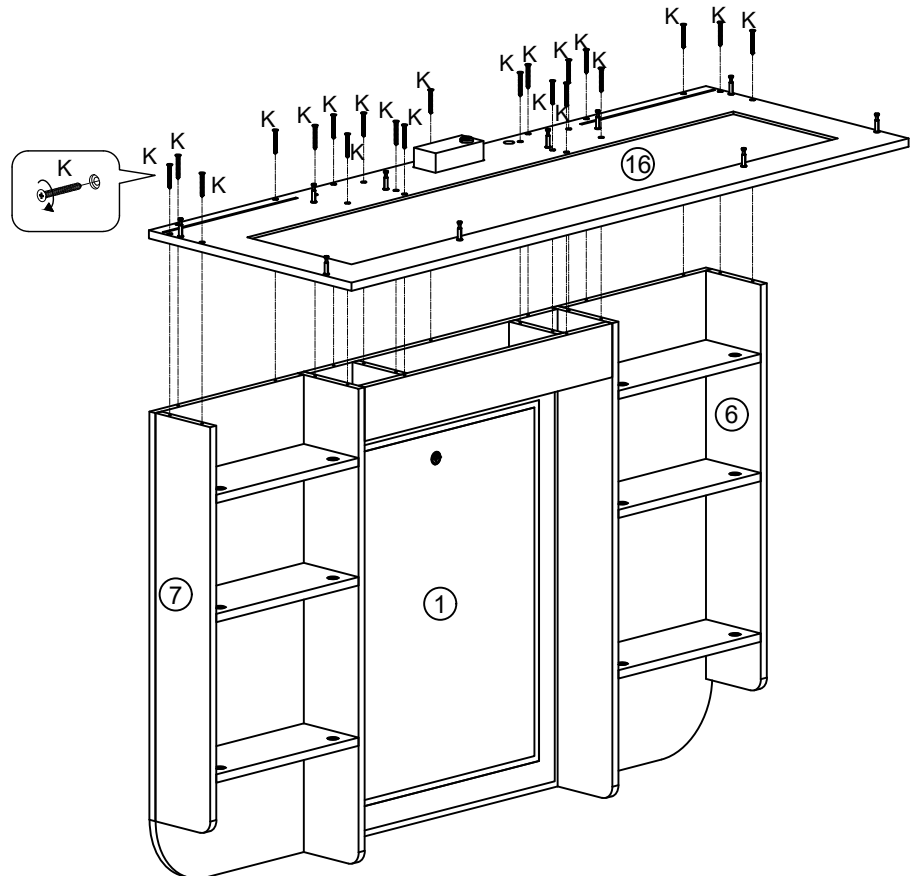
|           |    |
|-----------|----|
| B         | x8 |
|           |    |
| Ø15x9.5mm |    |


37



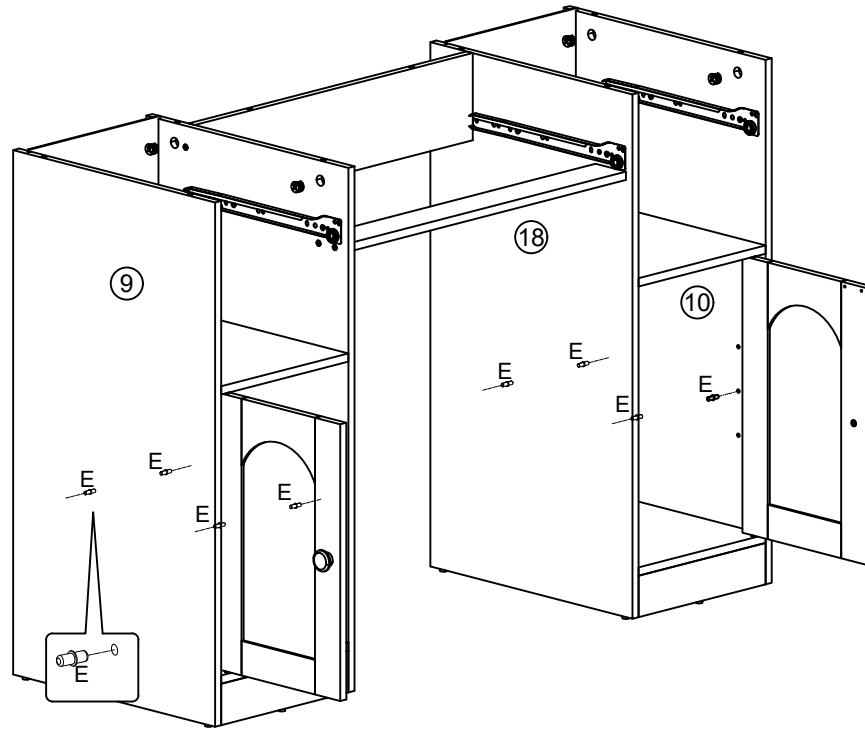
|   |     |   |    |   |    |
|---|-----|---|----|---|----|
| A   | x10 | J   | x2 | R   | x1 |
|  |     |  |    |  |    |
| Ø6x36mm   |     | Ø3.5x12mm   |    |   |    |

38



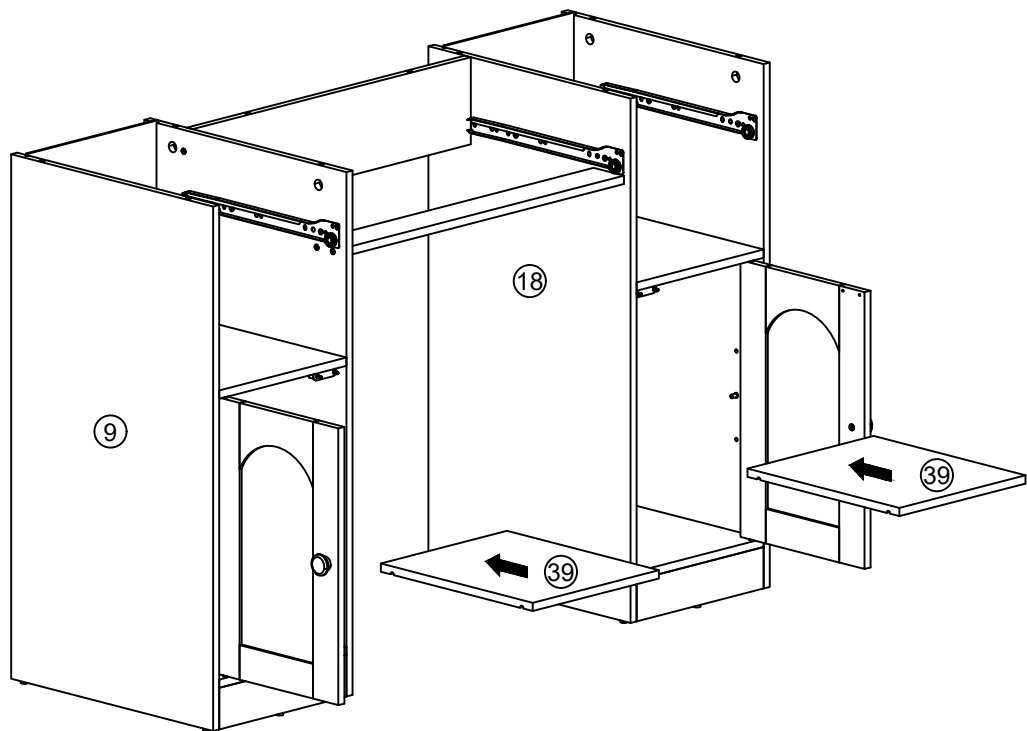
|   |     |
|---|-----|
| K   | x21 |
|  |     |
| Ø4x35mm   |     |

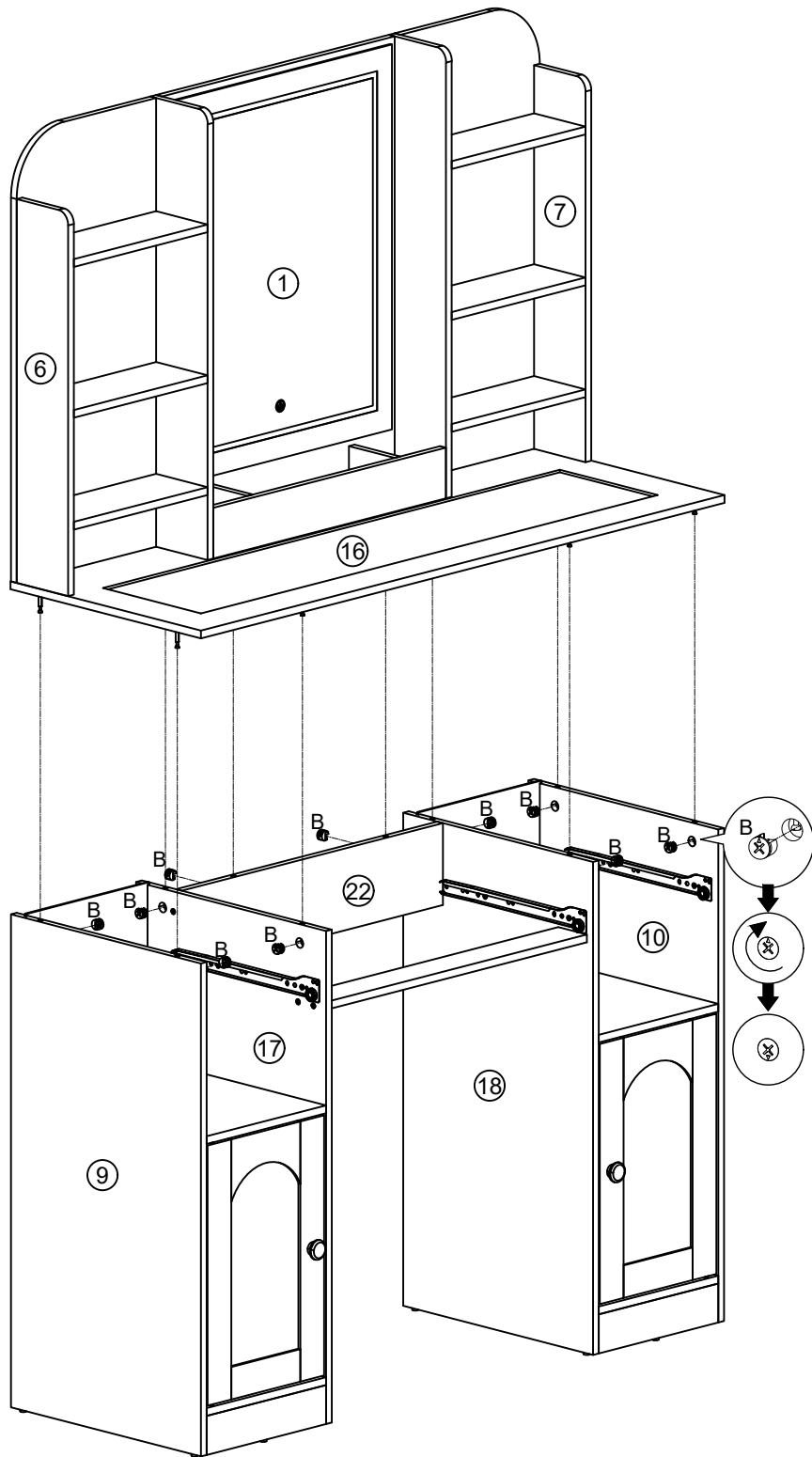
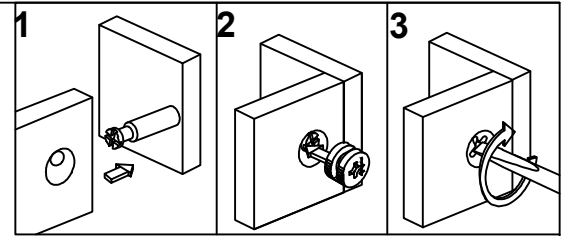
39




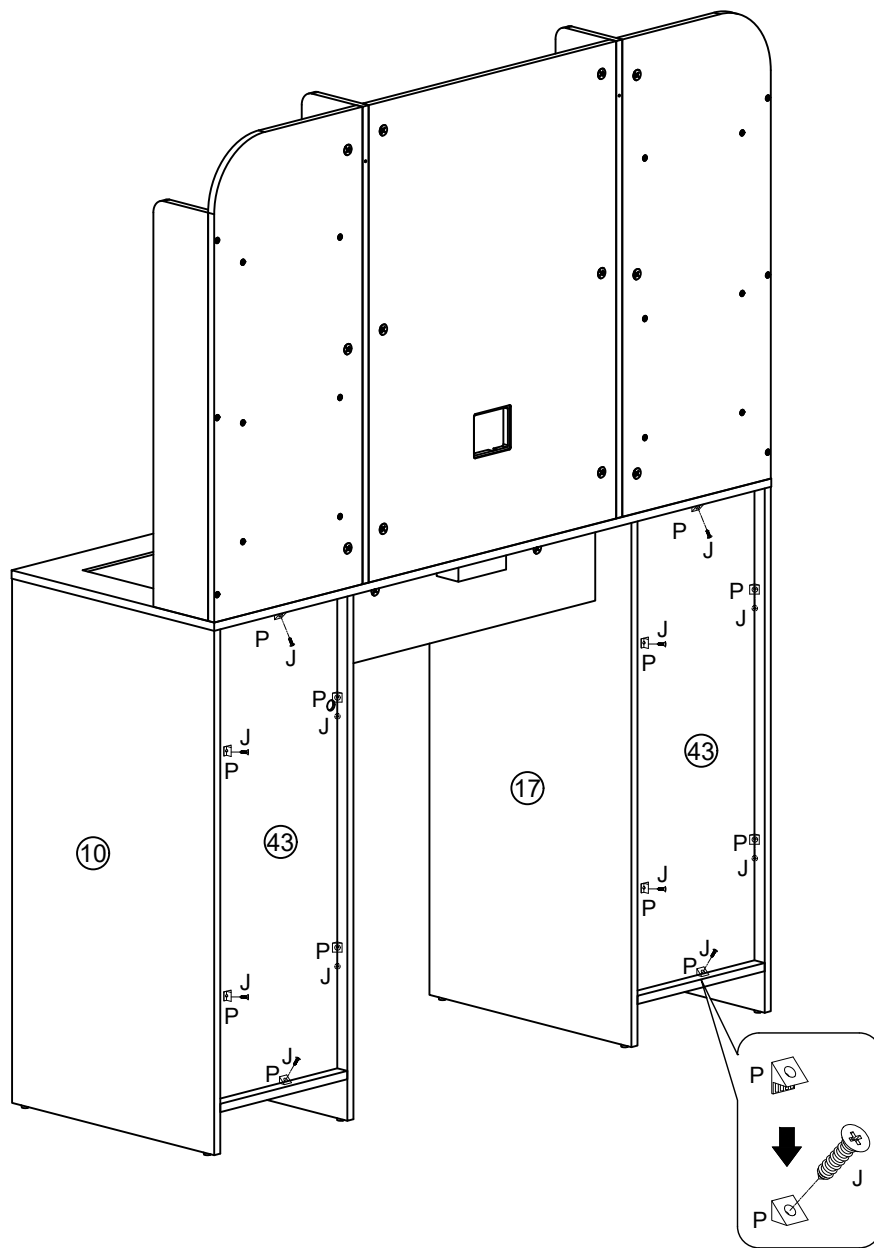
|     |    |
|-----|----|
| E   | x8 |
|     |    |
| 5mm |    |


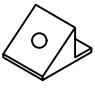
40

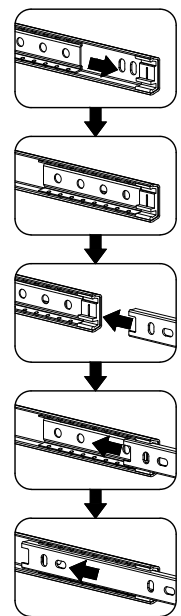
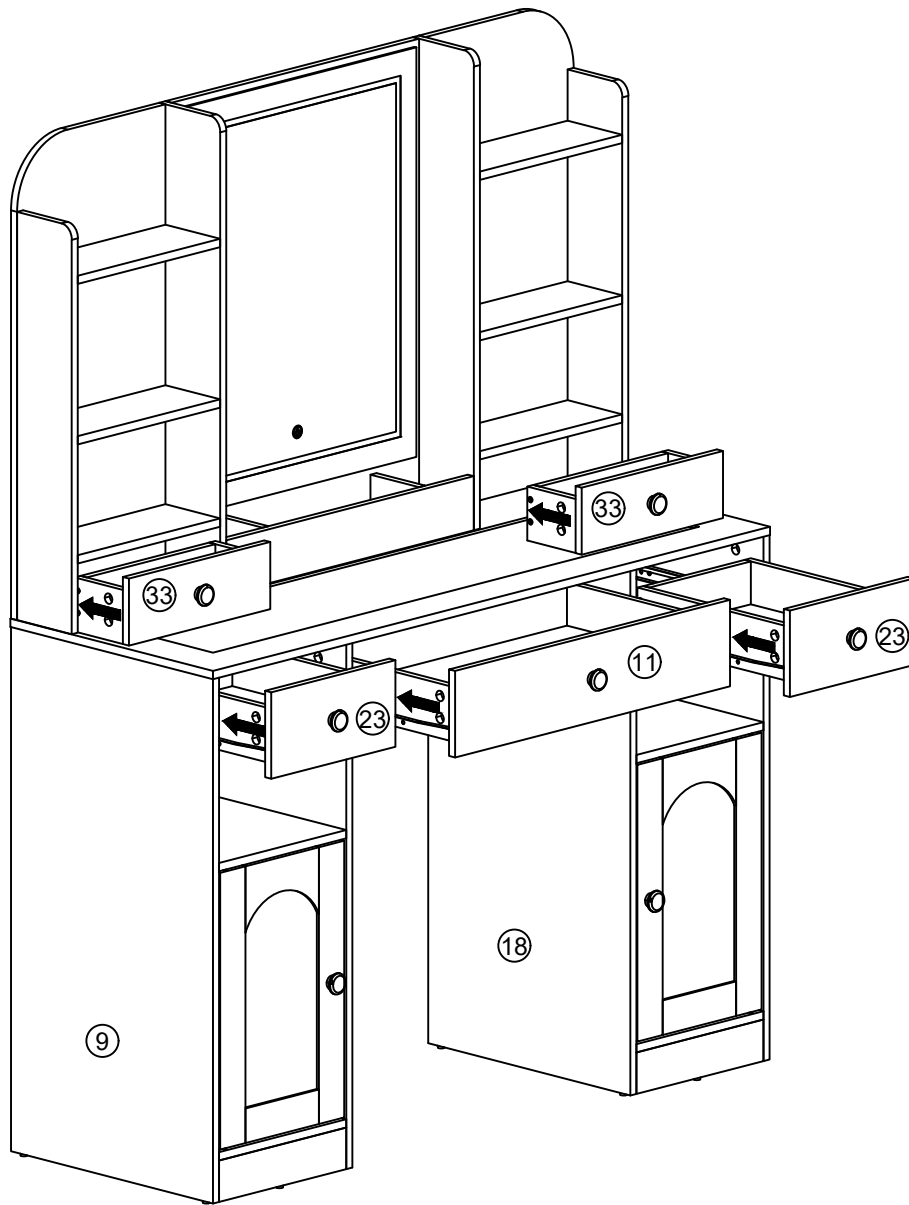


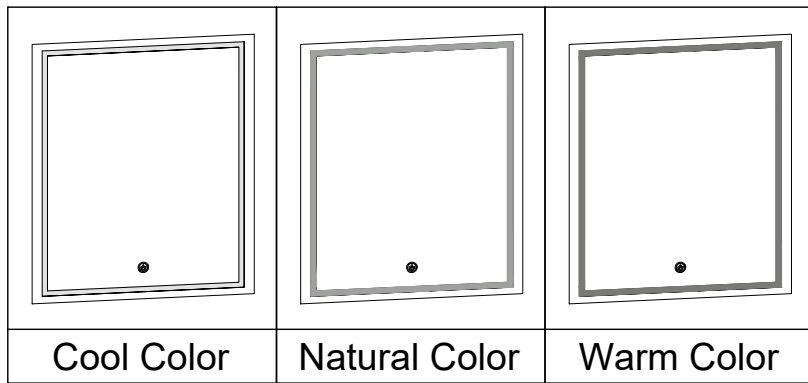


|   |     |
|---|-----|
| B   | x10 |
|  |     |
| Ø15x9.5mm   |     |

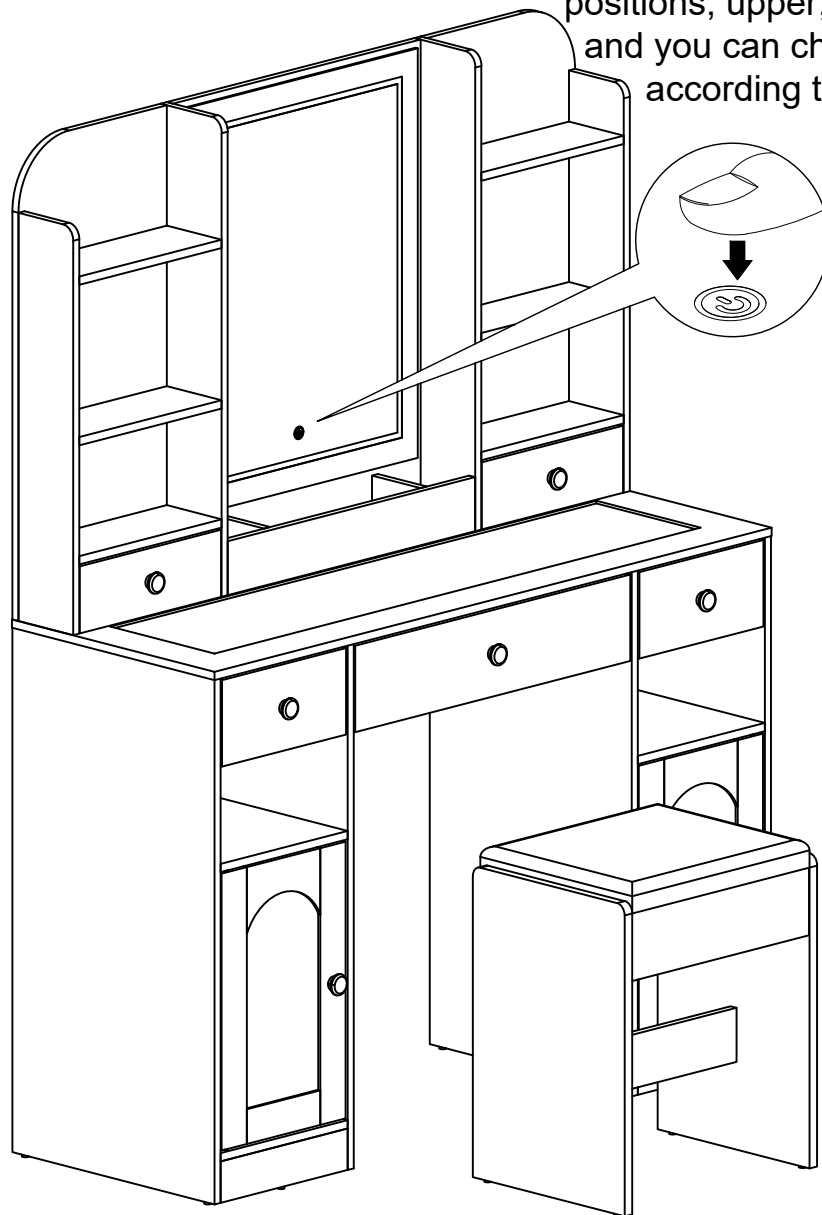


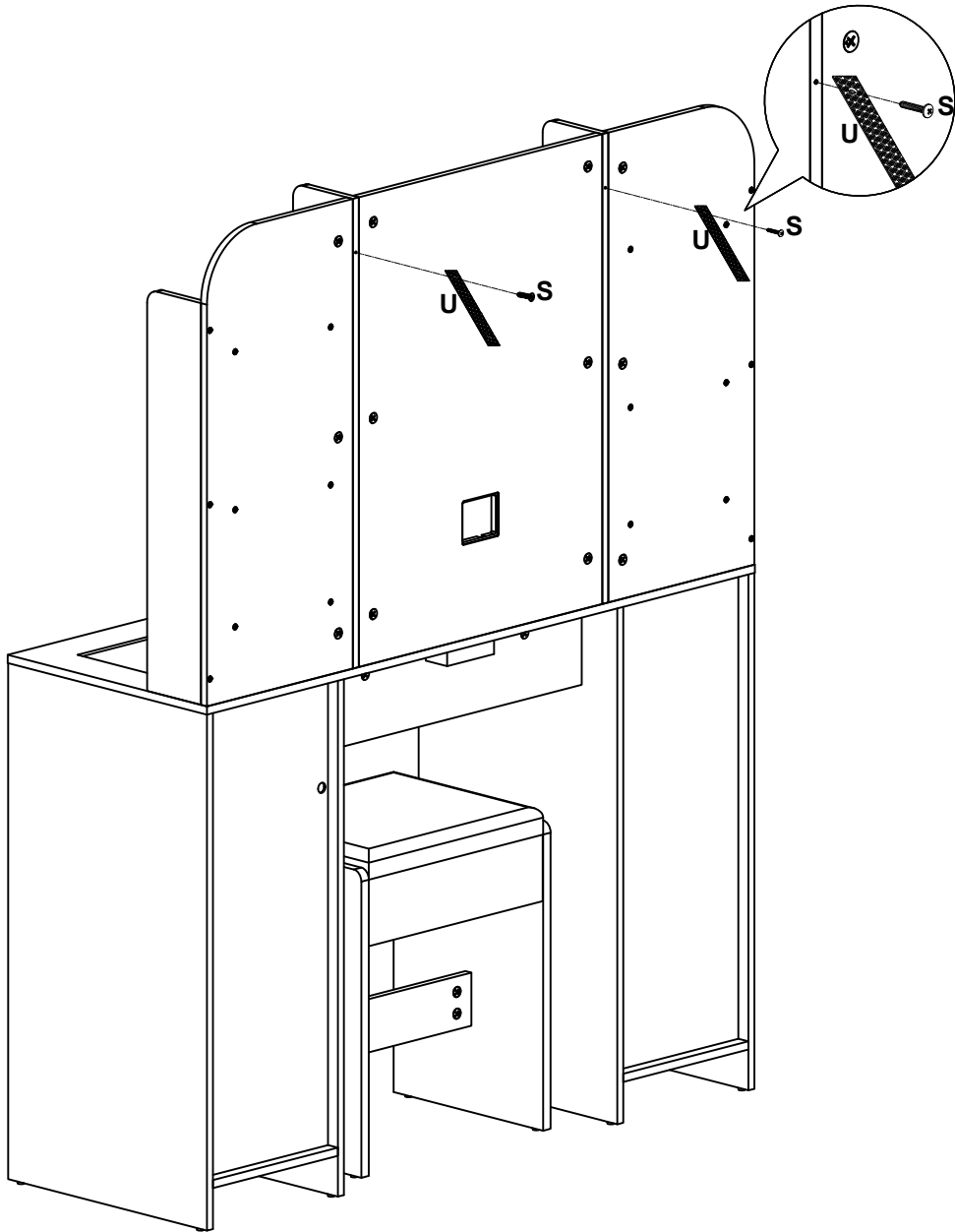
|   |     |   |     |
|---|-----|---|-----|
| J   | x12 | P   | x12 |
|  |     |  |     |
| <p>Ø3.5x12mm</p>  |     |   |     |







There are three adjustable positions, upper, middle and lower, and you can choose the position according to your needs.

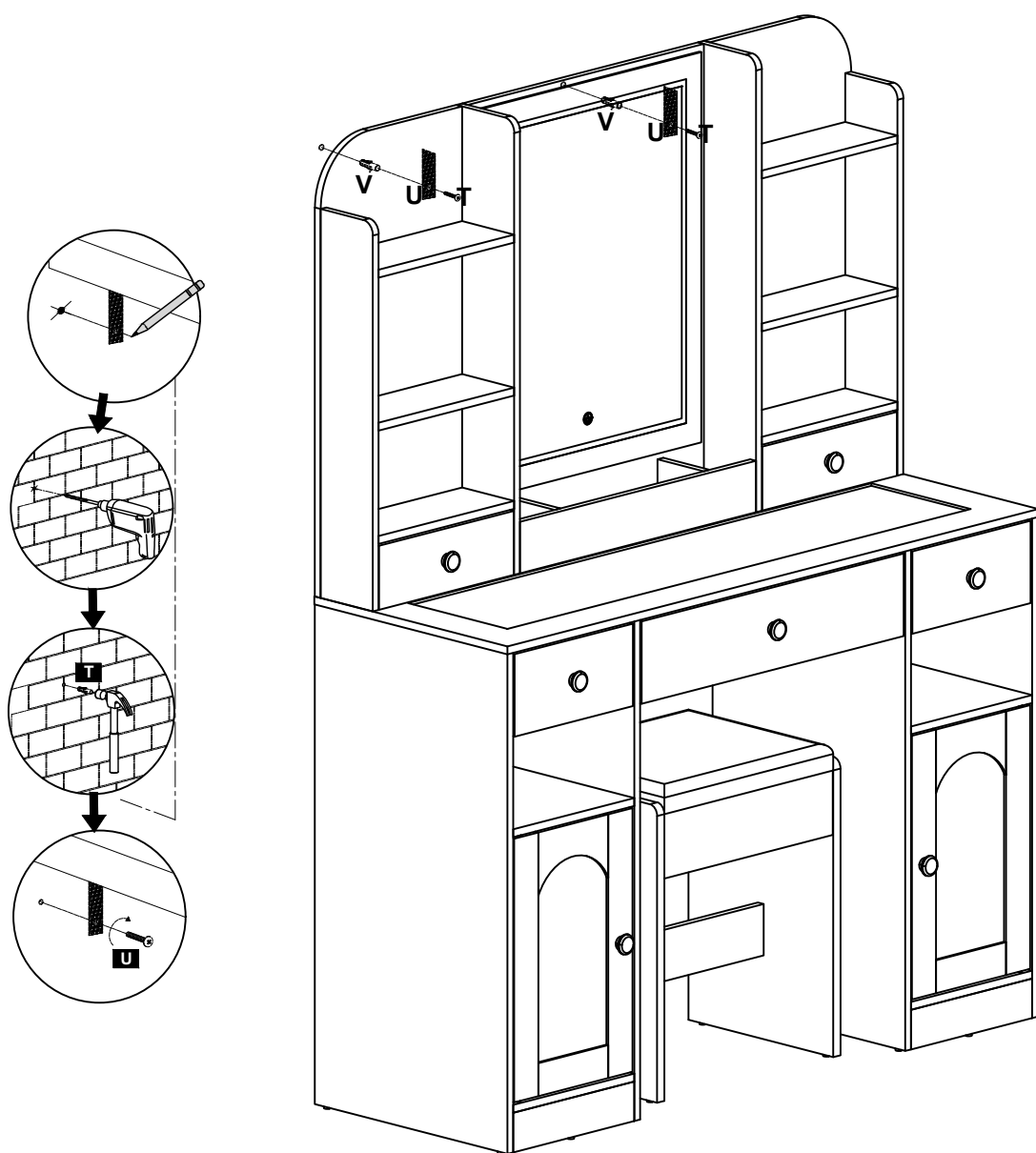


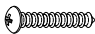




|   |    |
|---|----|
| S   | x2 |
|  |    |
| Φ4x14mm   |    |

|   |    |
|---|----|
| U   | x2 |
|  |    |

The first step is to put the cabinet close to the wall to find the positions of two holes corresponding to the wall ;  
 The second step is to punch the corresponding holes on the wall with a drill ;  
 The third step is to hammer the expanded plastic V into the wall ;  
 The fourth step is to lock the anti-reverse tape U with a 4x45mm round-head tapping screw T.



|   |    |   |    |   |    |
|---|----|---|----|---|----|
| T   | x2 | V   | x2 | U   | x2 |
|  |    |  |    |  |    |
| Φ4x45mm   |    |   |    |   |    |