

NOTE:

This brochure contains IMPORTANT safety info. Please read and keep for future reference.

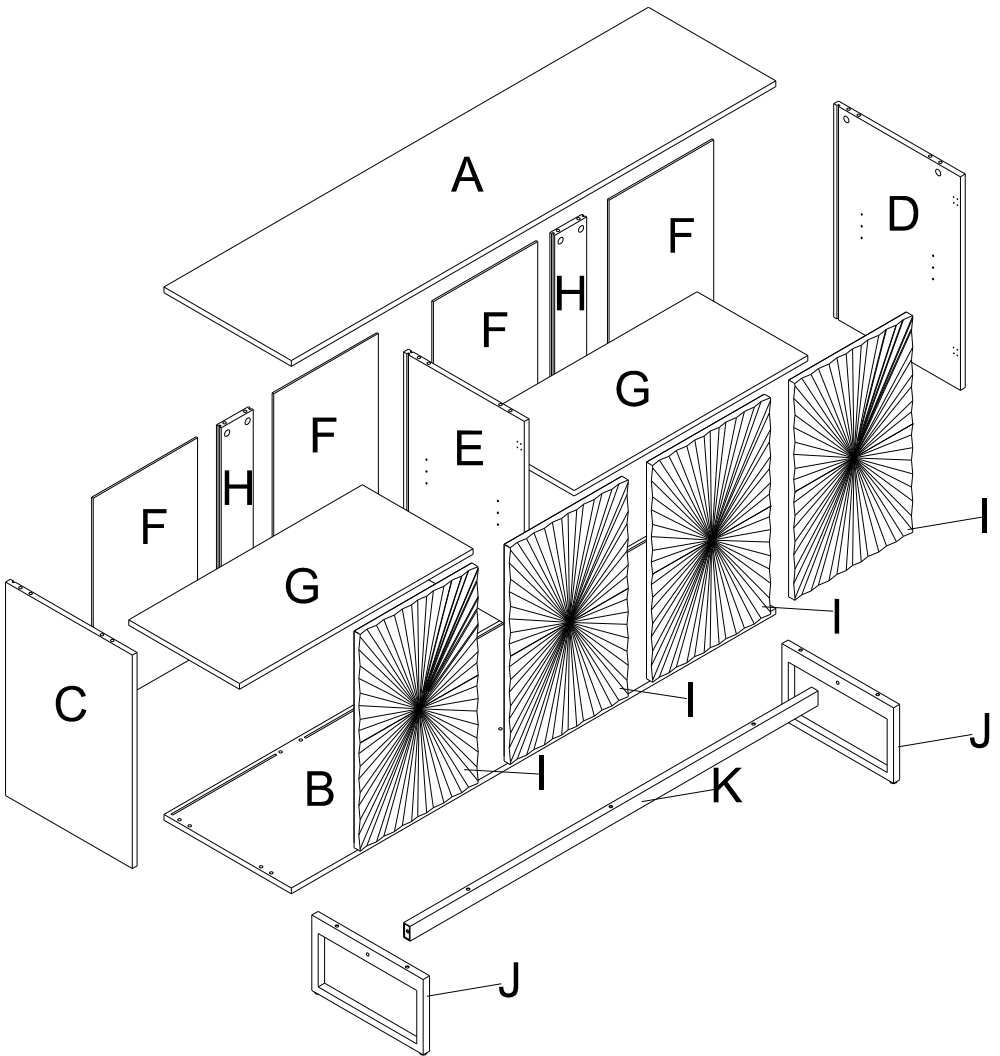
MAINTAINANCE AND WARNING

- Keep furniture away from heat sources.
- Do not clean furniture with harsh cleaner or polishes. Do not use detergents, Solvents, abrasives, spray packs or leather cleaner. Use non-color mild soap with warm water to clean spills (Mix 1:10 soap to water)
- Do not place furniture under direct sunlight, material will possibly fade over time.
- Do not use on site dry Cleaning machine. Children should not climb or jump on the furniture.
- Do not write on furniture that is not protected by a padded barrier .
- Not for commercial use, only for residential use.



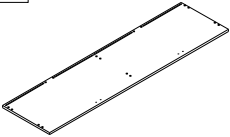
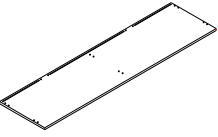
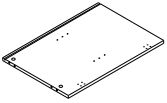
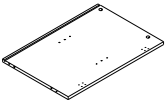
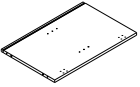
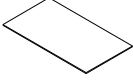
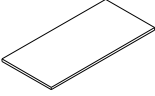

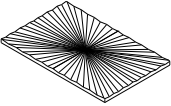
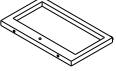
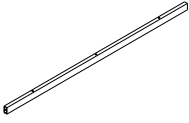
Weight Limitation

80 LBS

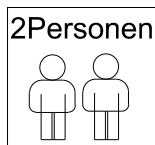


OVERVIEW











HARDWARE LIST

A 	B 	C 	D 
1 PC	1 PC	1 PC	1 PC
E 	F 	G 	H 
1 PC	4 PCS	2 PCS	2 PCS
I 	J 	K 	
4 PCS	2 PCS	1 PC	



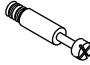


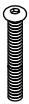

Persons Required For Assembly:



PARTS LIST 1



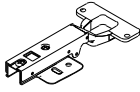







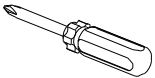
#1	x76	#2	x8	#3	x10	#4	x12	#5	x10
									
M3.5*14mm		M4*25mm		φ6*35mm		φ8*30mm		φ15*11mm	
#6	x10	#7	x2	#8	x7	#9	x4	#10	x10
									
M7*50mm		M6*40mm		M6*50mm		M4*35mm		φ20MM	

SPARE

#1	x1	#2	x1	#3	x1	#6	x1	#7	x1
									
M3.5*14mm		M4*25mm		φ6*35mm		M7*50mm		M6*40mm	
#8	x1	#9	x1						
									
M6*50mm		M4*35mm							



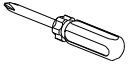

Be sure to inspect all packing material carefully for small parts, that may have come loose inside the carton during shipment.

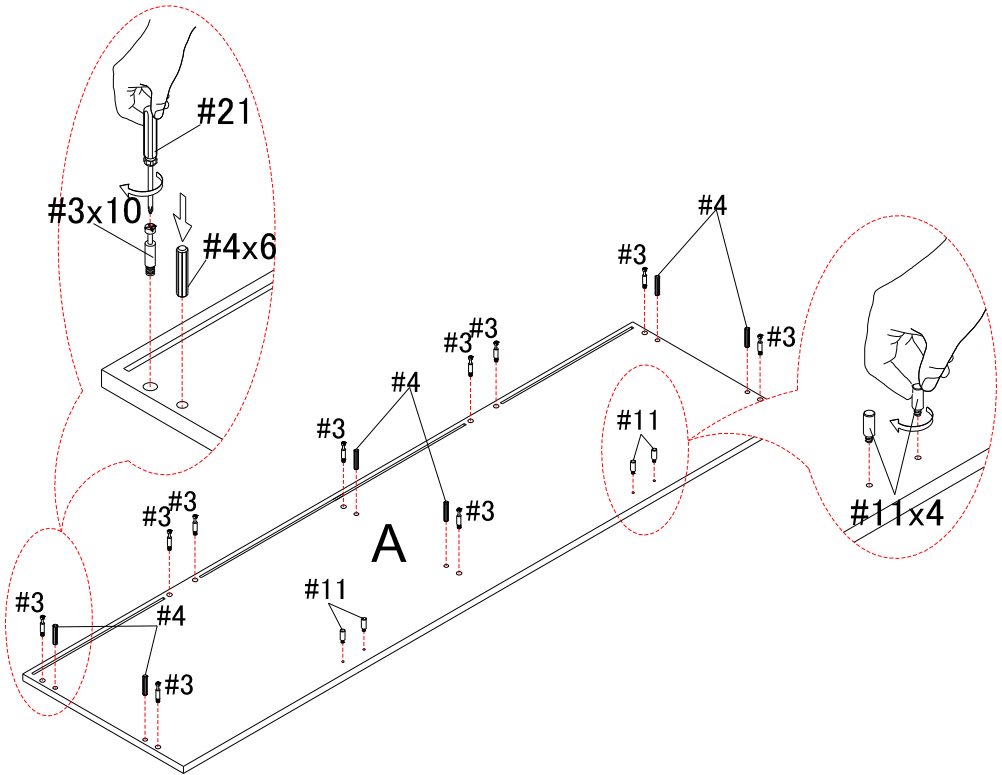
PARTS LIST 2

#11	x4	#12	x4	#13	x4	#14	x8	#15	x4
									
								110*60*18MM	
#16	x24	#17	x4	#18	x2	#19	x4	#20	x1
									
		ø8*30mm						M4	
#21	x1								
									

Be sure to inspect all packing material carefully for small parts, that may have come loose inside the carton during shipment.

ASSEMBLY INSTRUCTIONS


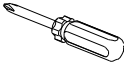

#3	x10	#4	x6	#21	x1	#11	x4
							
ø6*35mm		ø8*30mm					

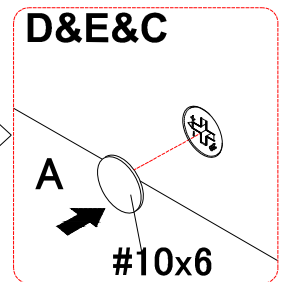
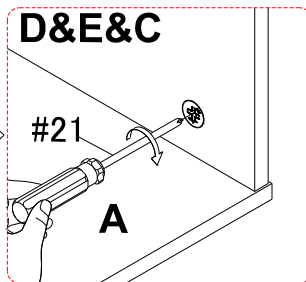
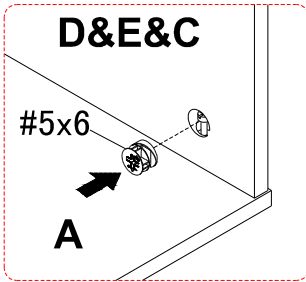
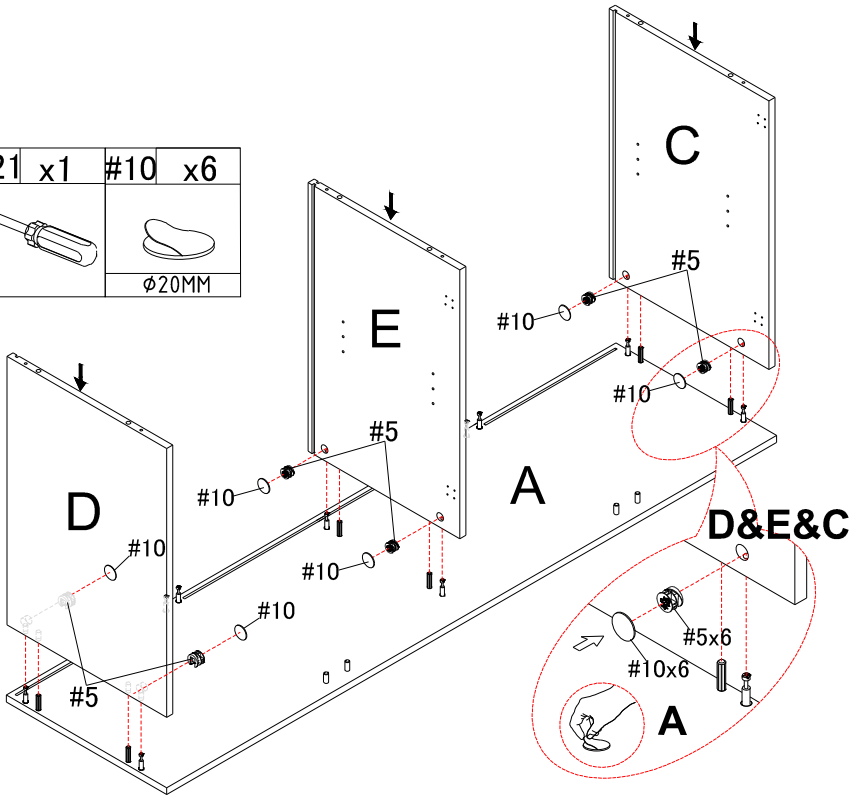


STEP1:

Insert wooden dowel #4 into the corresponding hole of panel (A) and then screw bolt #3 into the corresponding hole of panel (A), tighten bolt #3 with screwdriver #21.


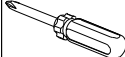

Screw part #11 into the corresponding hole of panel (A)

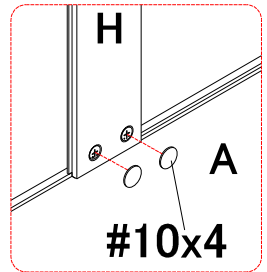
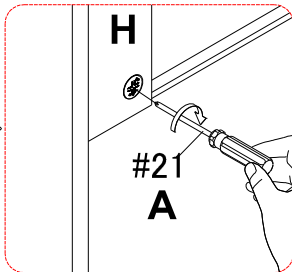
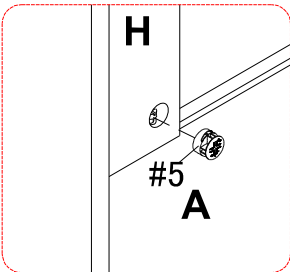
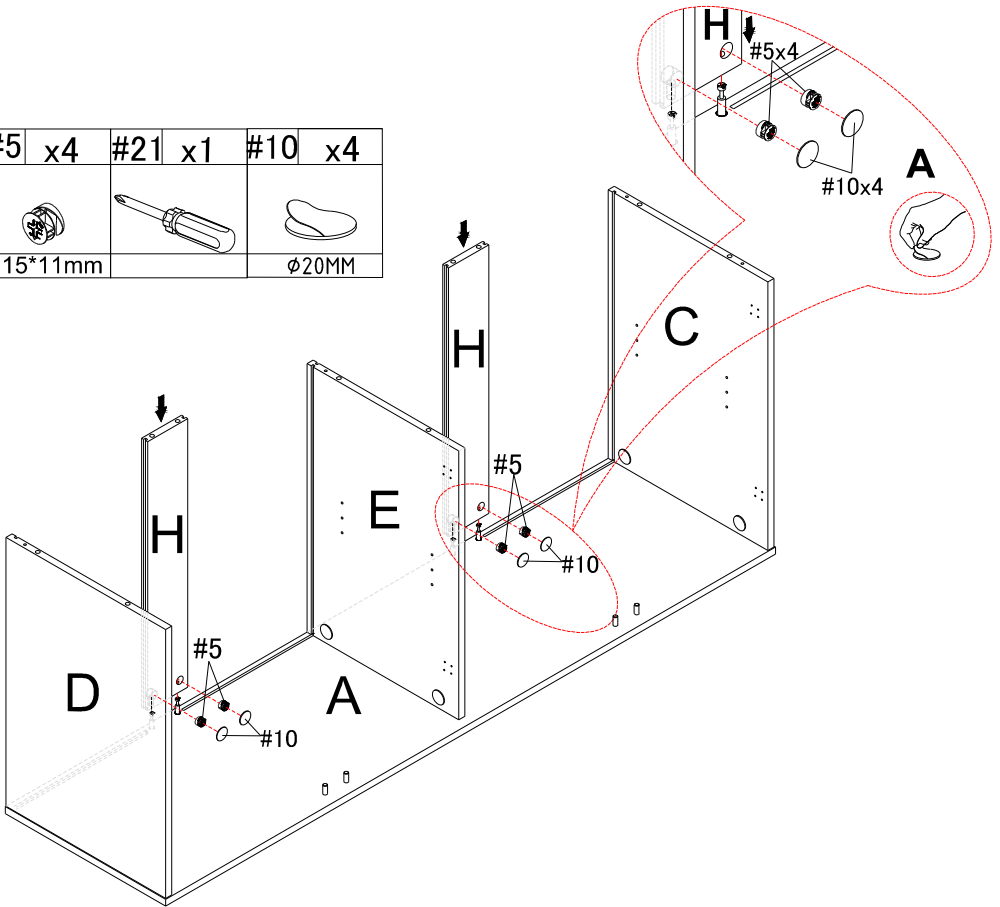
#5 x6	#21 x1	#10 x6
		
φ15*11mm		φ20MM



STEP2:

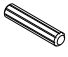
Insert side panel (D)&(C)、 middle vertical panel(E) into the preassemble top panel (A),and then insert cam bolt #5 into the corresponding hole of side panel (C)&(D)&middle vertical panel(E),tighten cam bolt #5 with screwdriver #21,finally stick paster #10 to it for look nice.

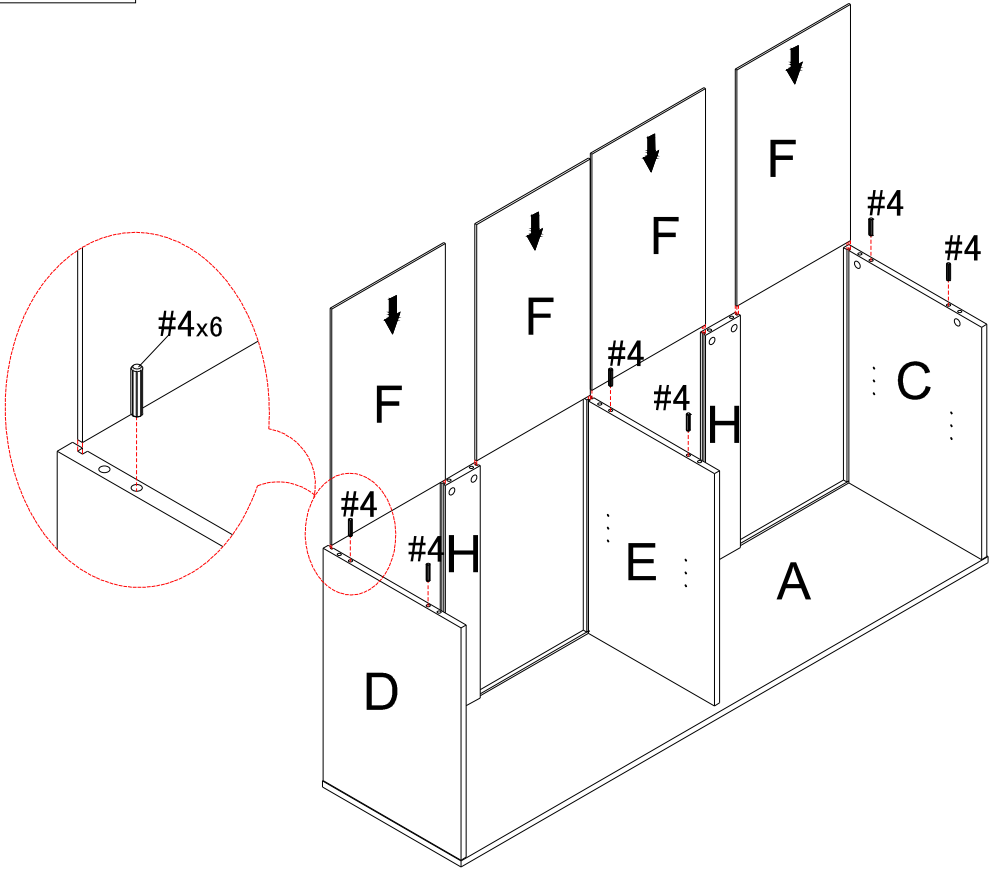
#5 x4	#21 x1	#10 x4
		
φ15*11mm		φ20MM



STEP3:



Insert panel(H) into preassemble top panel(A) as picture show , and then insert cam bolt #5 into the corresponding hole of panel (H),tighten cam bolt #5 with screwdriver #21, finally stick paster #10 to it for look nice.

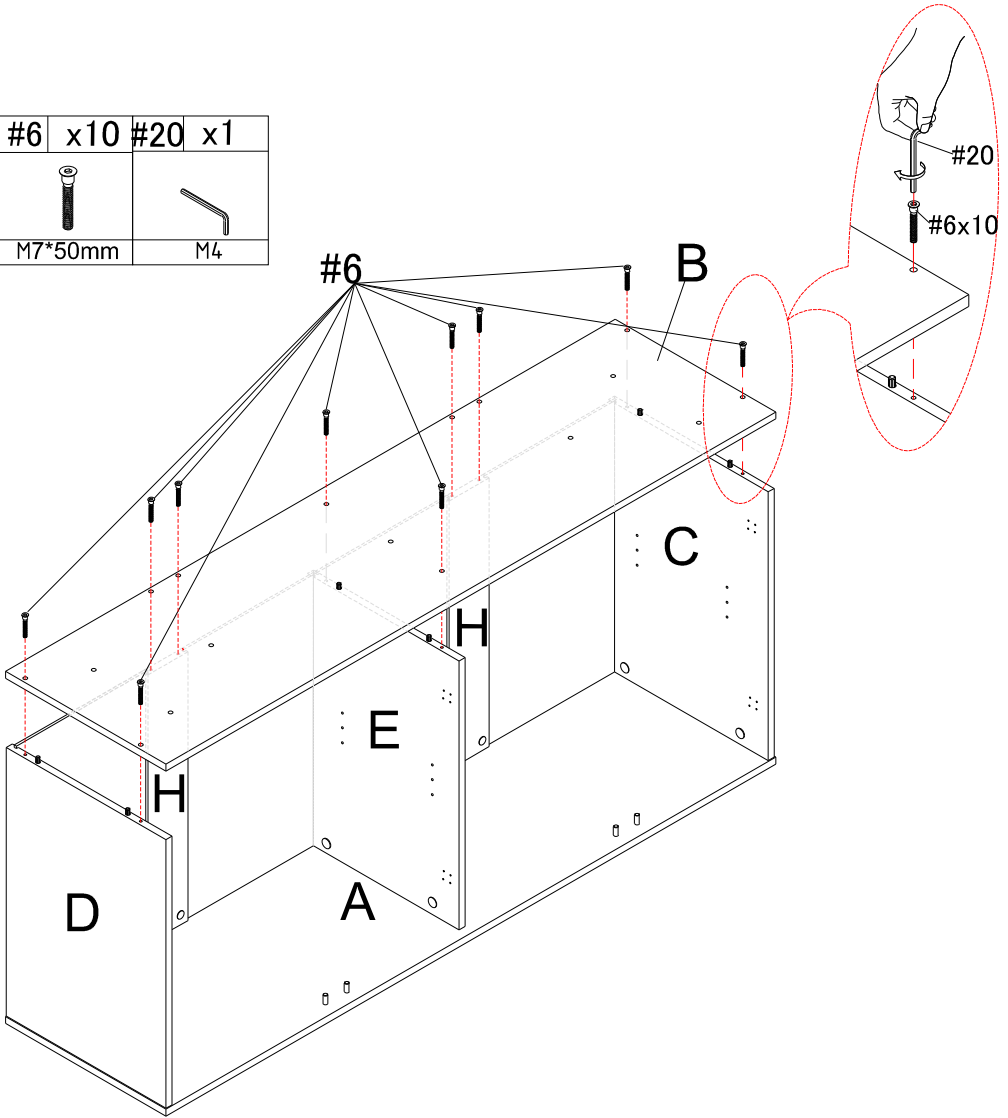
#4	x6
	
$\phi 8 \times 30 \text{mm}$	



STEP4:



Carefully align and slide panel (F) into the groove along rear edge of pre-assemble step 3, and then insert wooden dowel #4 into the corresponding hole of panel(C)&(D)&(E).

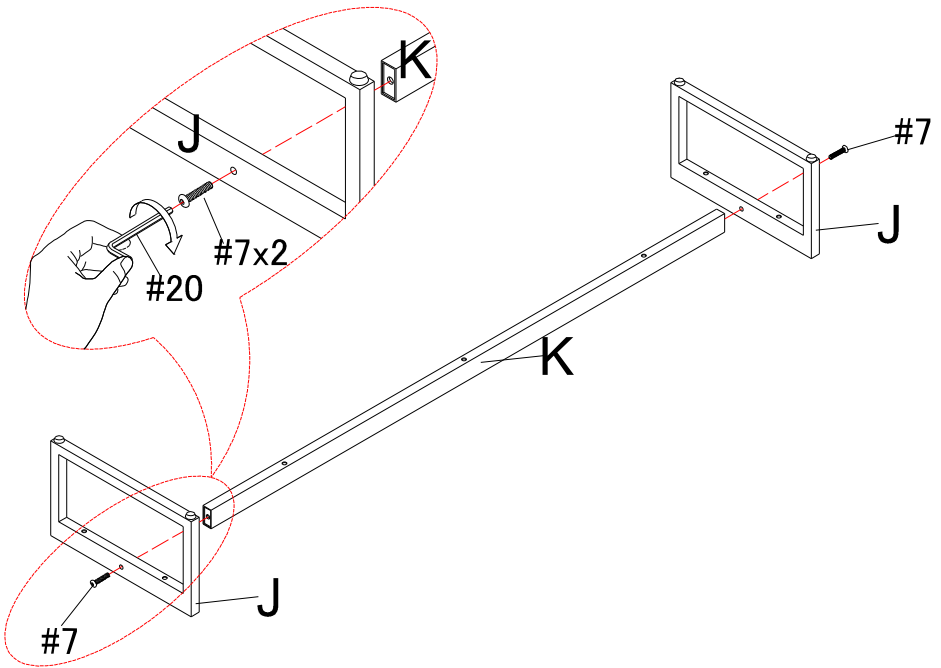
#6	x10	#20	x1
			
M7*50mm		M4	



STEP5:



Insert bottom panel (B) into preassembly step 4, make sure all holes aligned and then use bolt #6 to attach them, tighten bolt #6 with allen key #20.

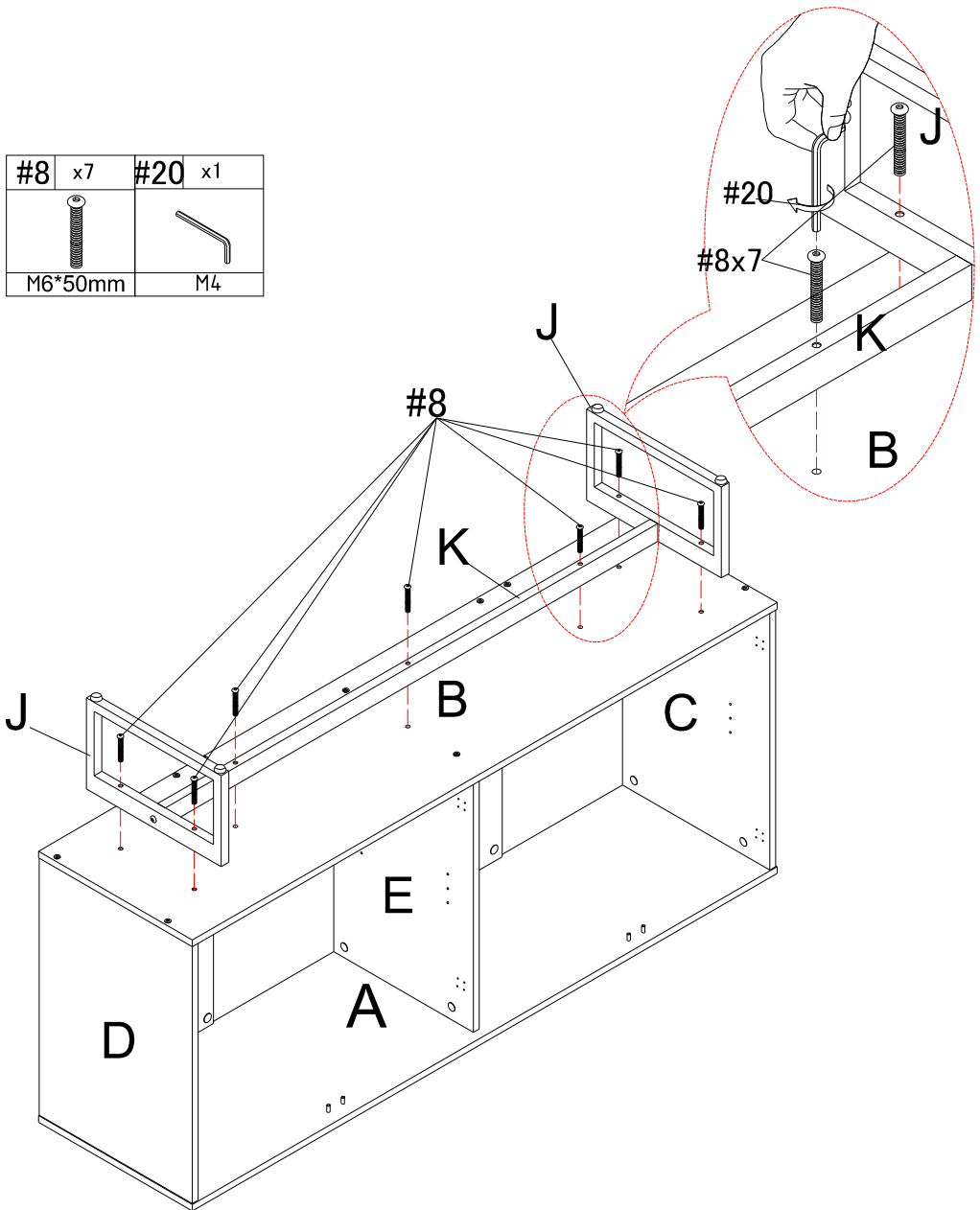
#7	x2	#20	x1
			
M6*40mm		M4	



STEP6:

Use bolt #7 to attach part (J) to rail (K), tighten bolt #7 with allen key #20.

#8	x7	#20	x1
			
M6*50mm		M4	

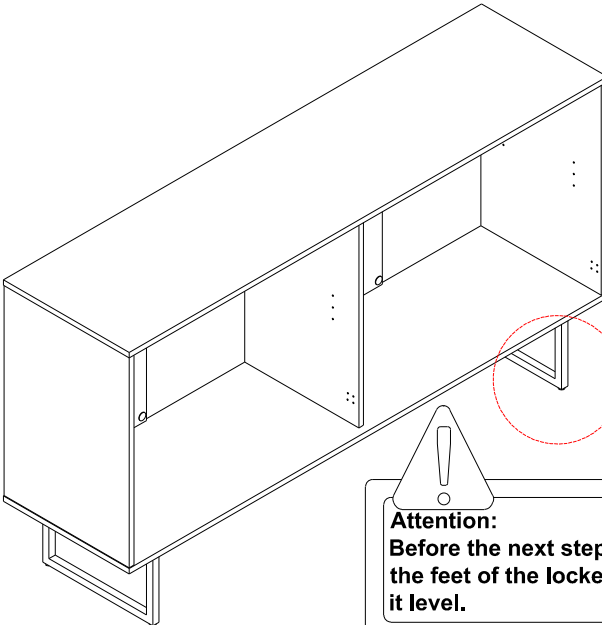
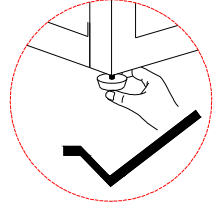
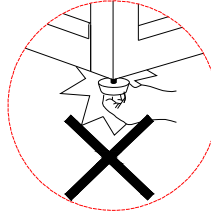


STEP7:

Use bolt #8 to attach preassembly step 6 to the preassembly step 5 as picture show, make sure all holes aligned and tighten bolt #8 with allen key #20.



Attention:
After installation, adjust the adjustable leveler to keep the cabinet balanced .
Be sure to check all packing material carefully for small parts, which may have come loose inside the carton during shipment.



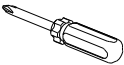


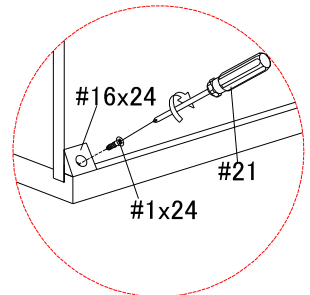
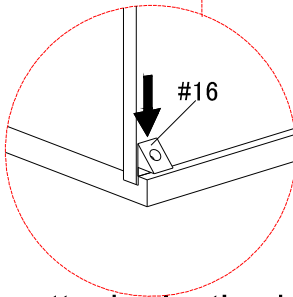
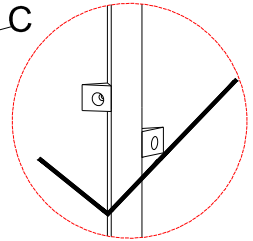
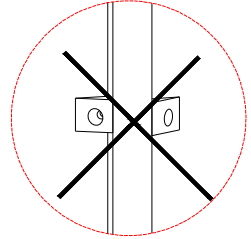
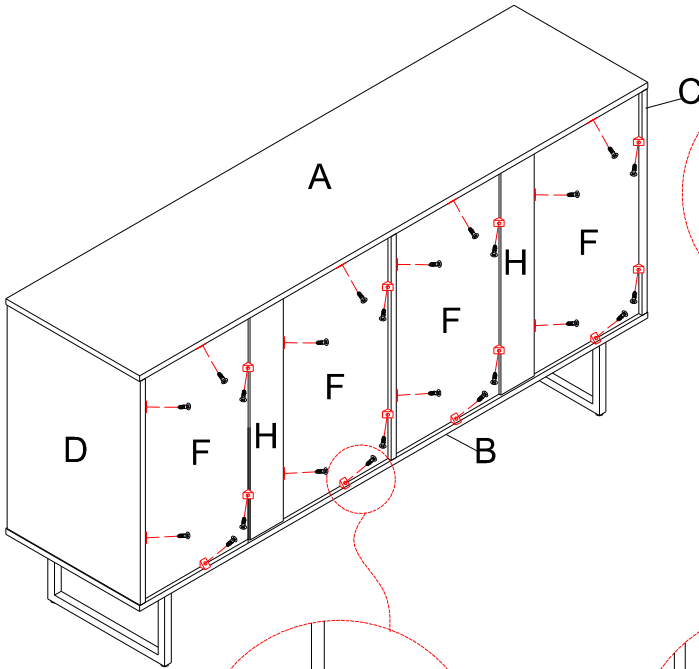
Attention:
Before the next step, adjust the feet of the locker to keep it level.

STEP8:

Attention:

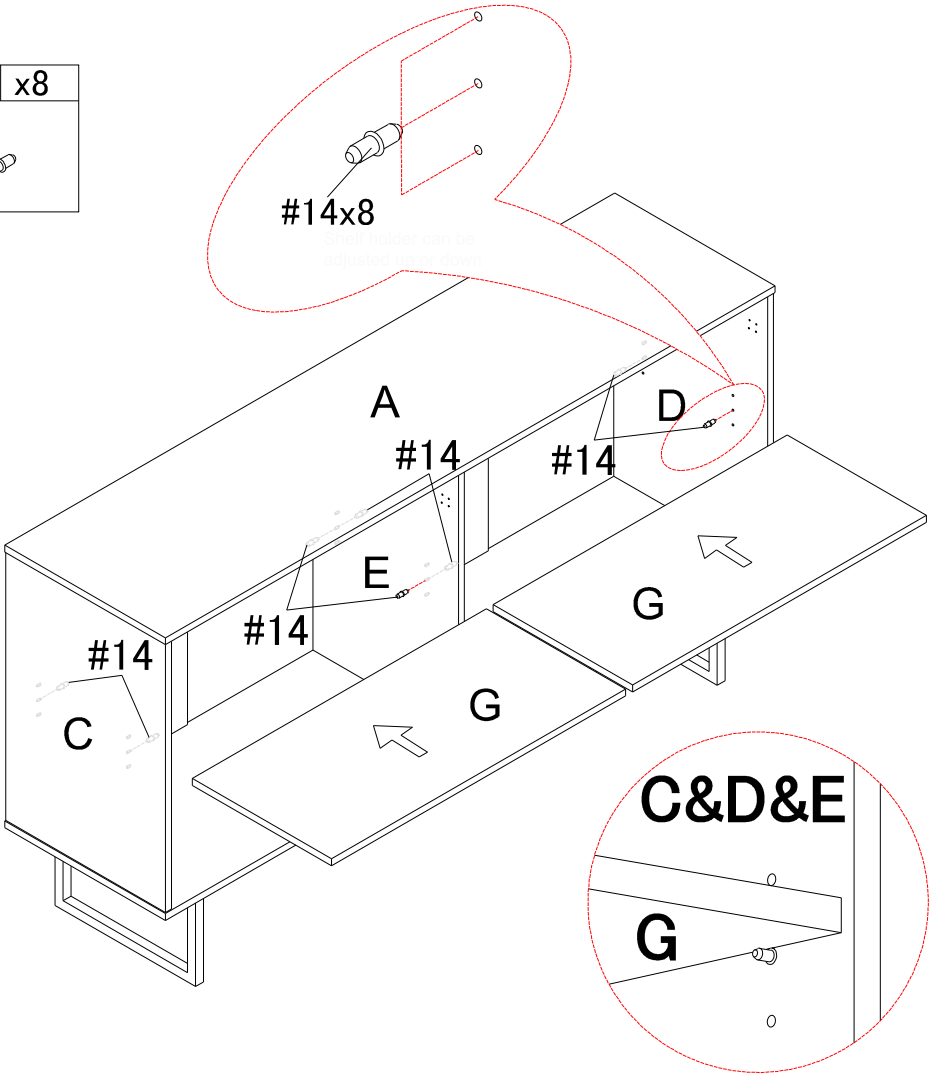
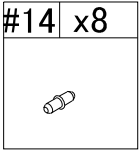
Before the next step, adjust the feet of the locker to keep it level.

#1	x24	#16	x24	#21	x1
					
M3.5*14mm					



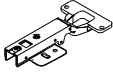

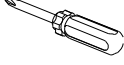
STEP9:

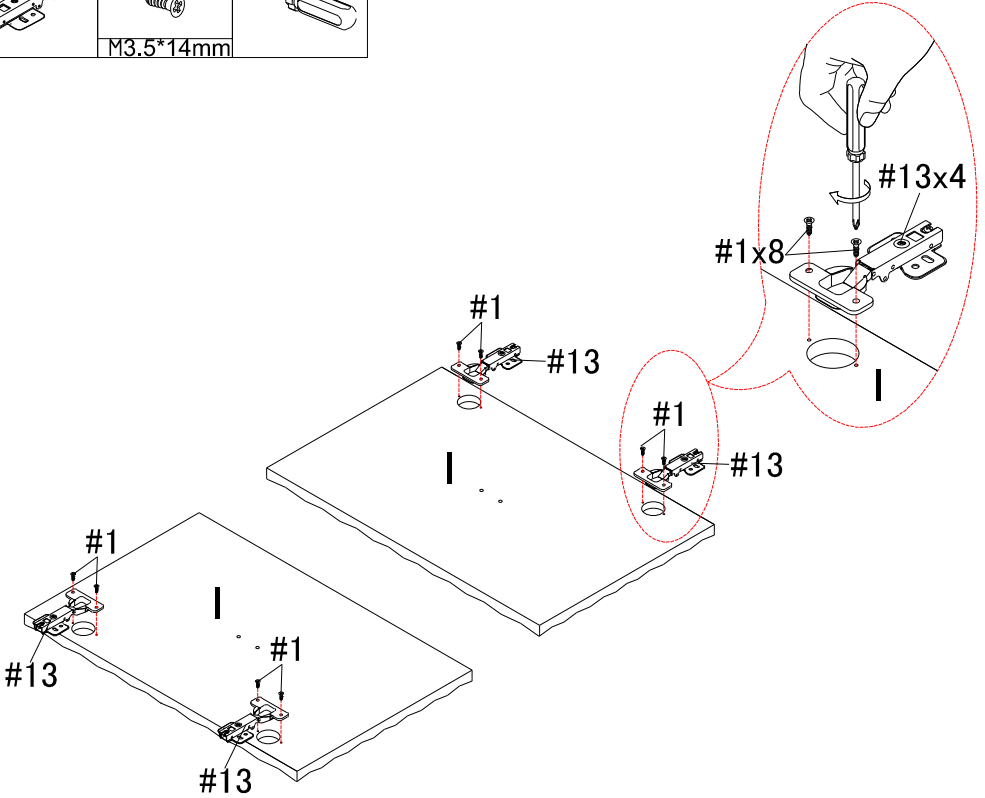
Use screw #1 to attach plastic shelf #16 to the corresponding hole of panel (A)&(D)&(H)&(C)&(B) as picture show, make sure all holes aligned and tighten screw #1 with screwdriver #21.



STEP10:

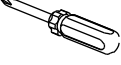


Insert shelf holder #14 into the corresponding hole of panel (C)&(E)&(D), make all shelf holder #14 same level and then attach adjustable shelf(G) to it.

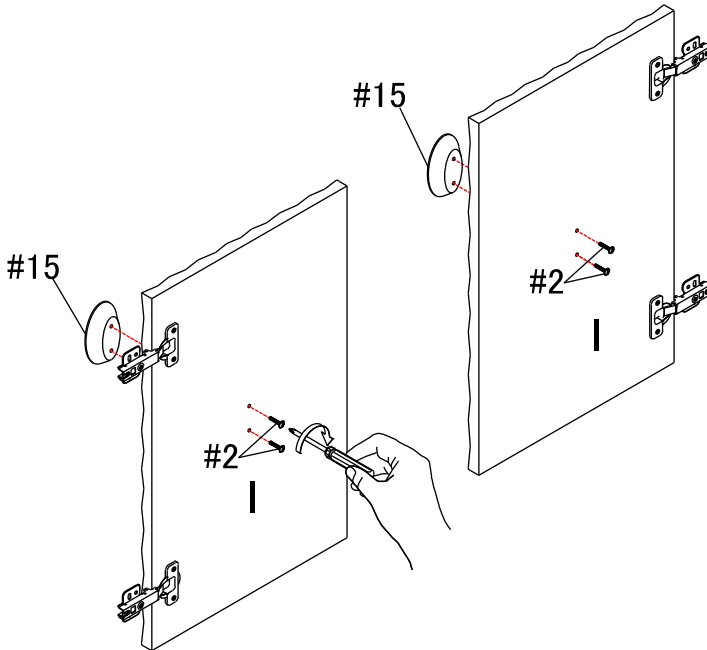
#13	x4	#1	x8	#21	x1
					
		M3.5*14mm			



STEP11:


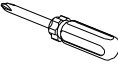
Use screw #1 to attach hinge #13 to door(I), tighten screw #1 with screwdriver #21.

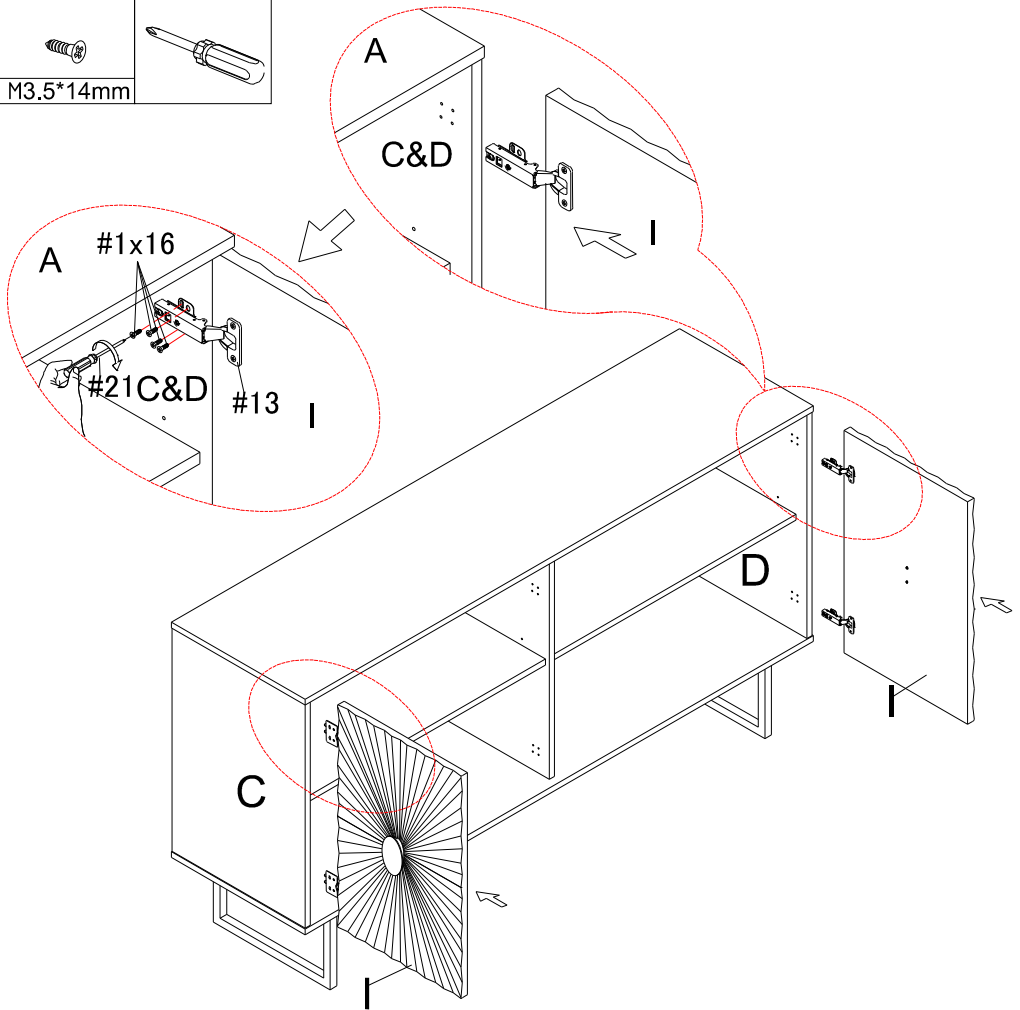
#21	x1	#15	x2	#2	x4
					
		110*60*18MM		M4*25mm	



STEP12:



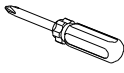
Use bolt #2 to attach handle #15 to door(I), tighten bolt #2 with screwdriver #21.

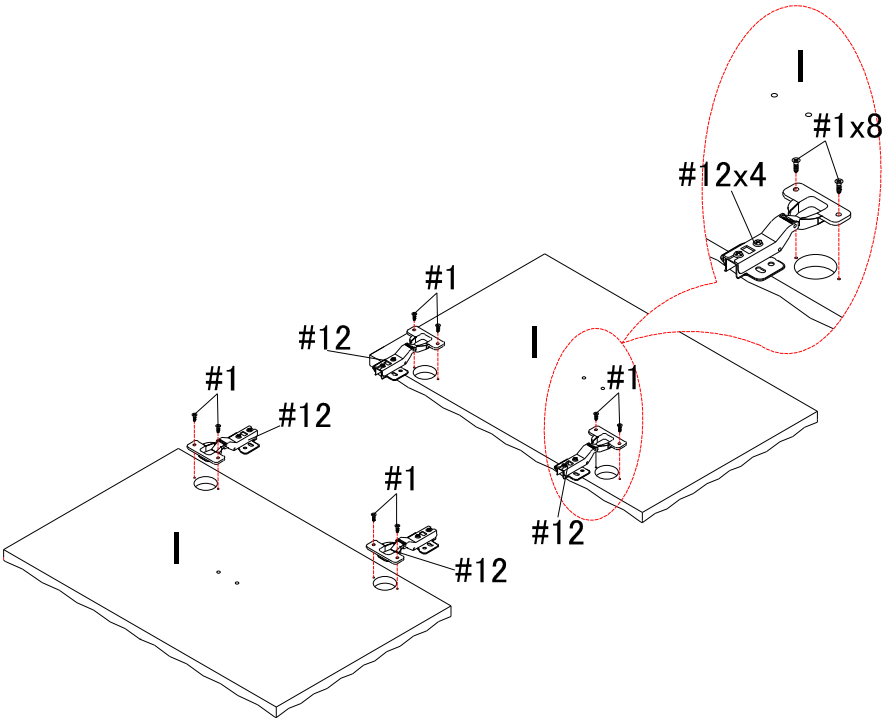
#1	x16	#21	x1
			
M3.5*14mm			



STEP13:

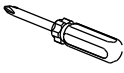


Use screw #1 to attach preassemble door&(I) to the corresponding hole of side panel (C)&(D), make sure all holes aligned and tighten screw #1 with screwdriver #21.

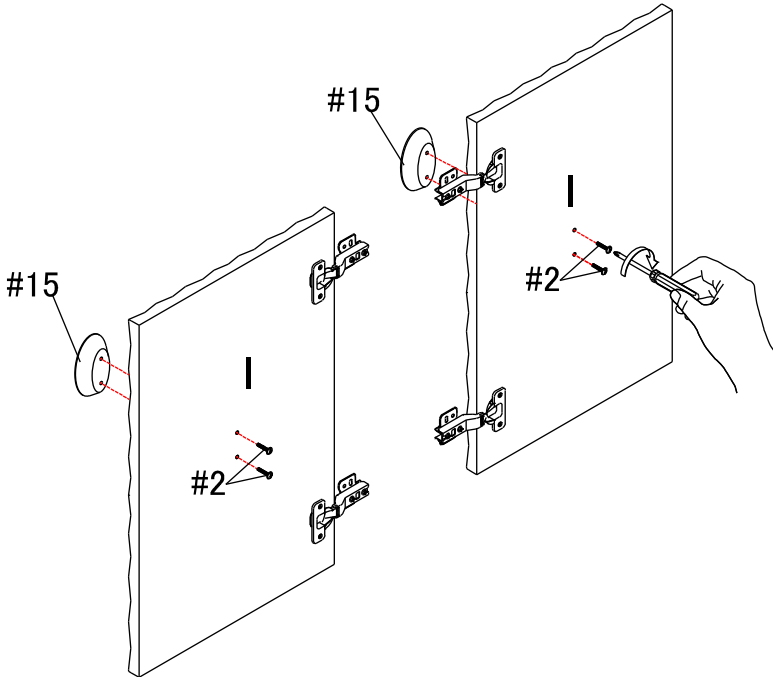
#12	x4	#1	x8	#21	x1
					
		M3.5*14mm			



STEP14:


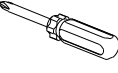
Use screw #1 to attach hinge #12 to door(I), tighten screw #1 with screwdriver #21.

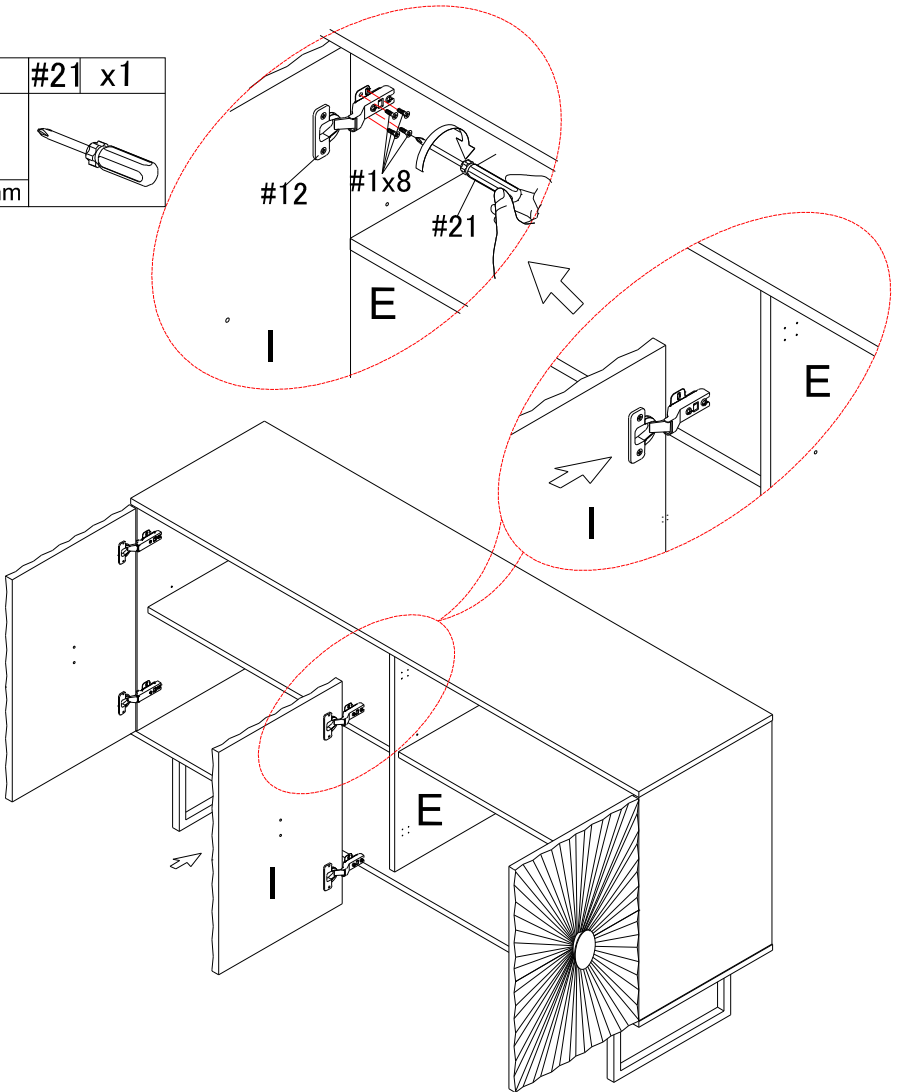
#21	x1	#15	x2	#2	x4
					
		110*60*18MM		M4*25mm	



STEP15:


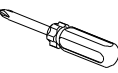
Use bolt #2 to attach handle #15 to door(I), tighten bolt #2 with screwdriver #21.

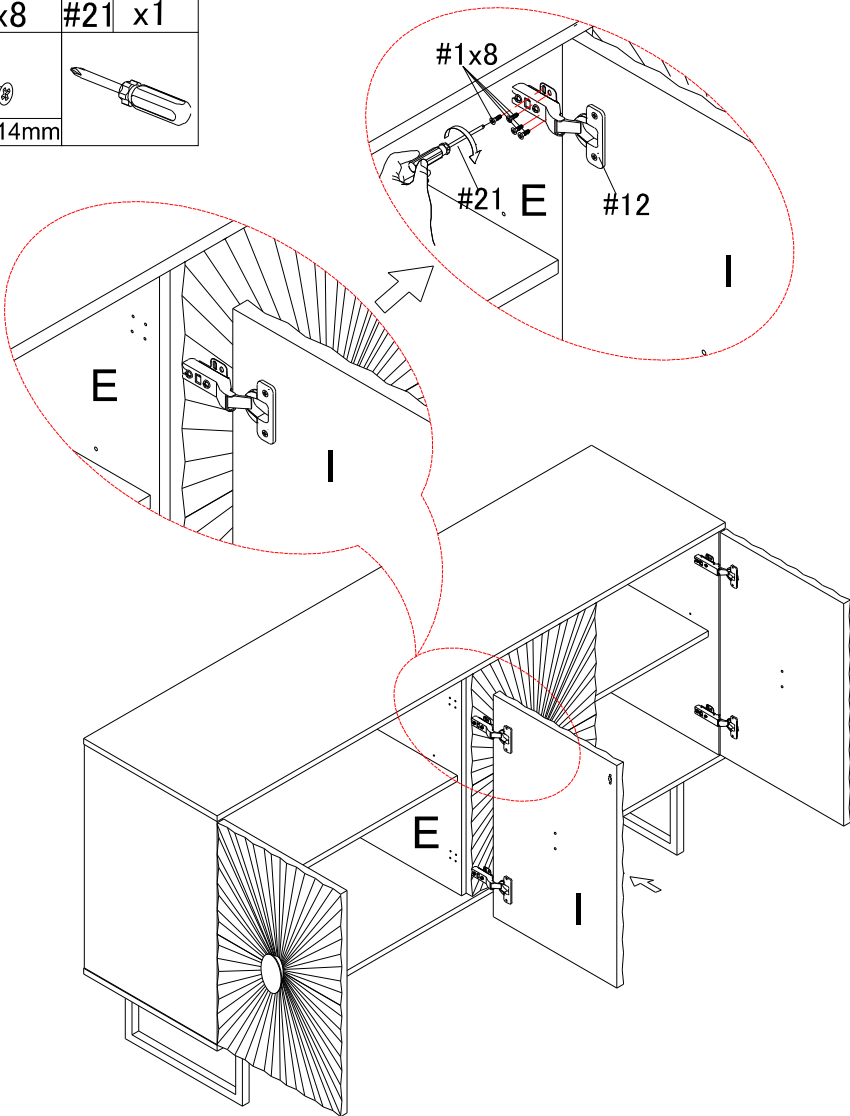
#1	x8	#21	x1
			
M3.5*14mm			



STEP16:

Use screw #1 to attach preassembly door(I) to the corresponding hole of middle vertical panel (E), make sure all holes aligned and tighten screw #1 with screwdriver #21.

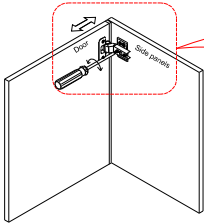
#1	x8	#21	x1
			
M3.5*14mm			



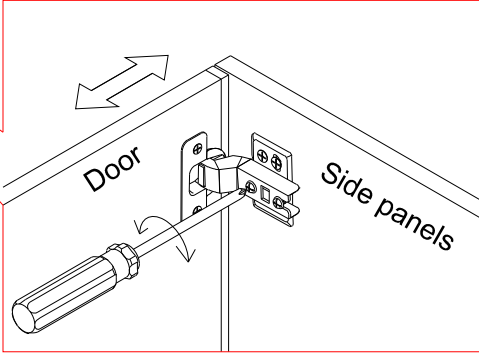
STEP17:

Use screw #1 to attach preassemble door(I) to the corresponding hole of middle vertical panel (E), make sure all holes aligned and tighten screw #1 with screwdriver #21.

Concealed hinges are three-way adjustable:



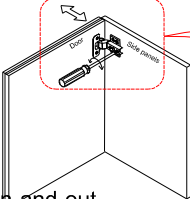
Horizontal
by screw adjustment!



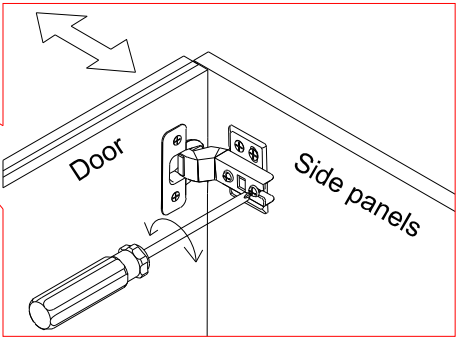
Door

Side panels

Concealed hinges are three-way adjustable:



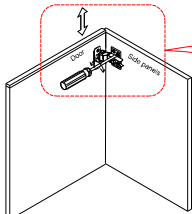
In-and-out
by loosening the hinge arm
mounting screw or via cam
adjustment!



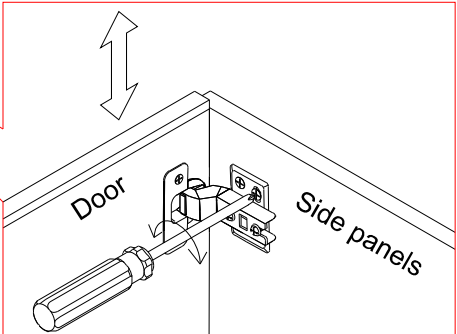
Door

Side panels

Concealed hinges are three-way adjustable:



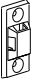
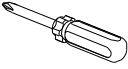

Vertical via slots in
the mounting plate
or via cam adjustment!

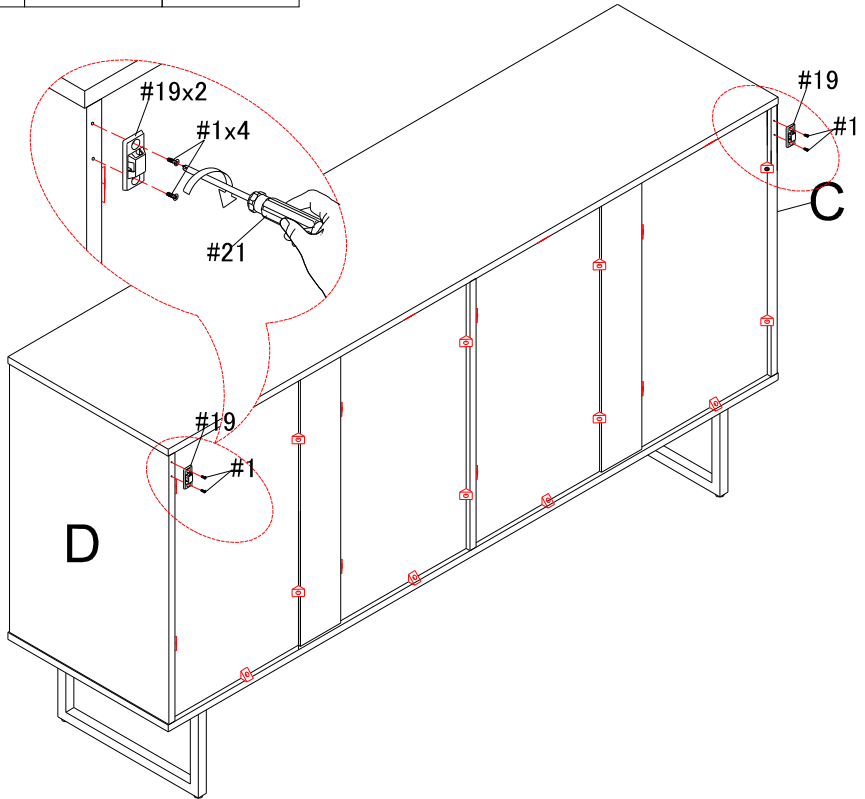


Door

Side panels

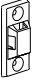
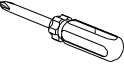


Hinge adjustment method

#19	x2	#21	x1	#1	x4
					
M3.5*14mm					

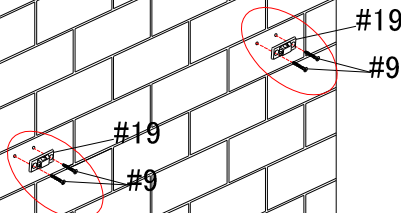
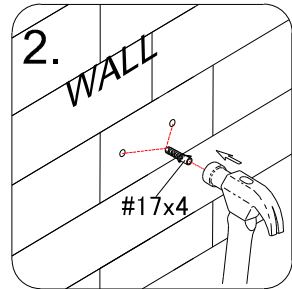
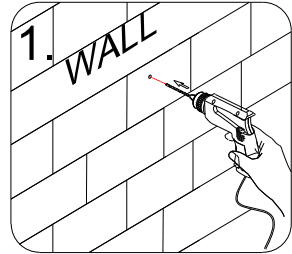


STEP18:

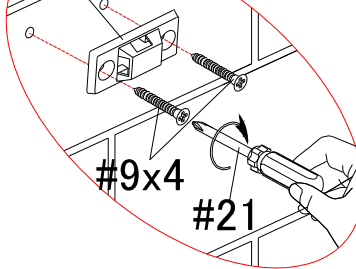
Use screw #1 to attach plastic bracket #19 to side panel (C)&(D),make sure all holes aligned and tighten screw #1 with screwdriver #21.

#19	x2	#21	x1	#9	x4	#17	x4
							
				M4*35mm	ø8*30mm		

WALL

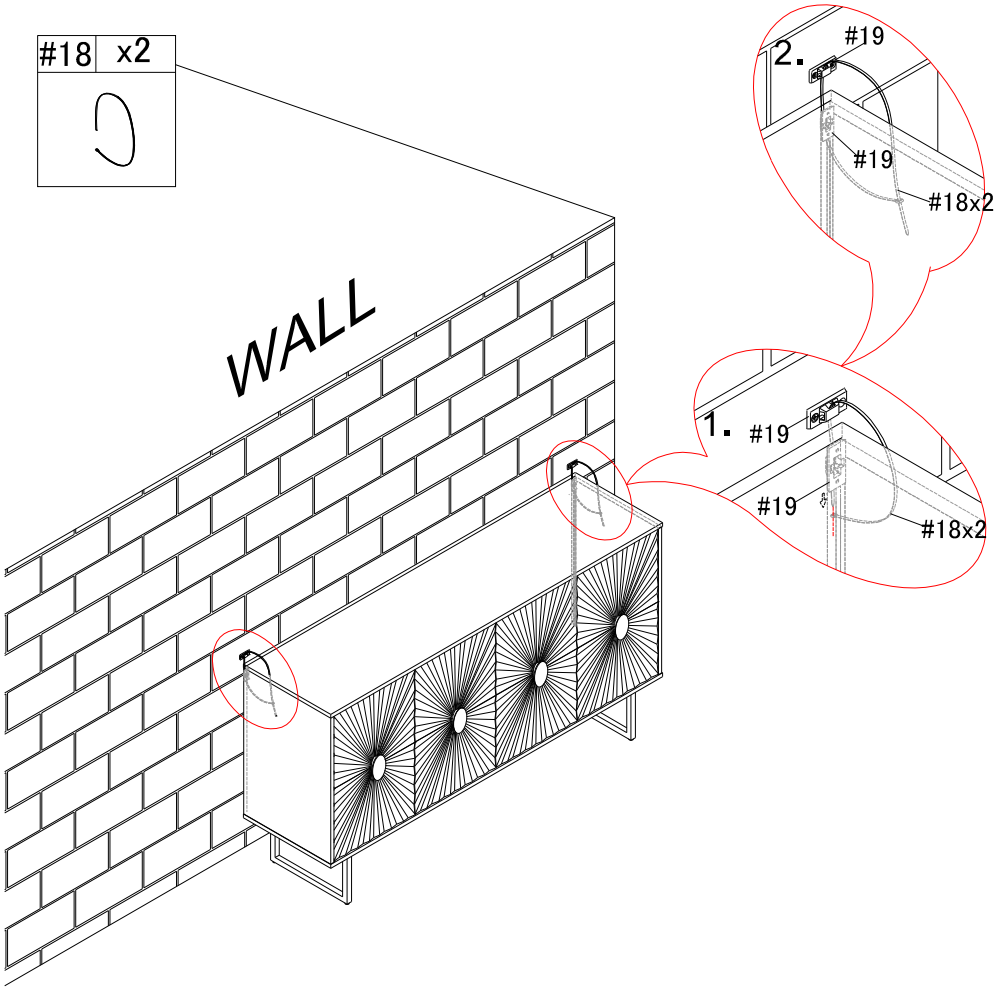


#19x2



STEP19:

1. Mark the position on the wall, that corresponds to the location of bracket #19 on the side panel (C)&(D); Drill and insert the expandable screw #9 by hammer.
2. Assemble the bracket #19 to the wall. Align the hole in the bracket #19 with the expandable screw #17, use screw #9 to attach it, tighten screw #9 with screwdriver #21.



STEP20:

3. Let the plastic belt #18 pass through bracket #19 and pull tightly.

WARRANTY

We strive to offer high-quality products, and we also try our best to satisfy each and every customer that orders from us with product or service as needed. We provide 30 days warranty starting from the time you receive the item. Each customer must provide a record of their order such as the order number, or item receipt for any items that are out of the warranty period you may also still receive replacement parts by purchasing them with our company if they are available.