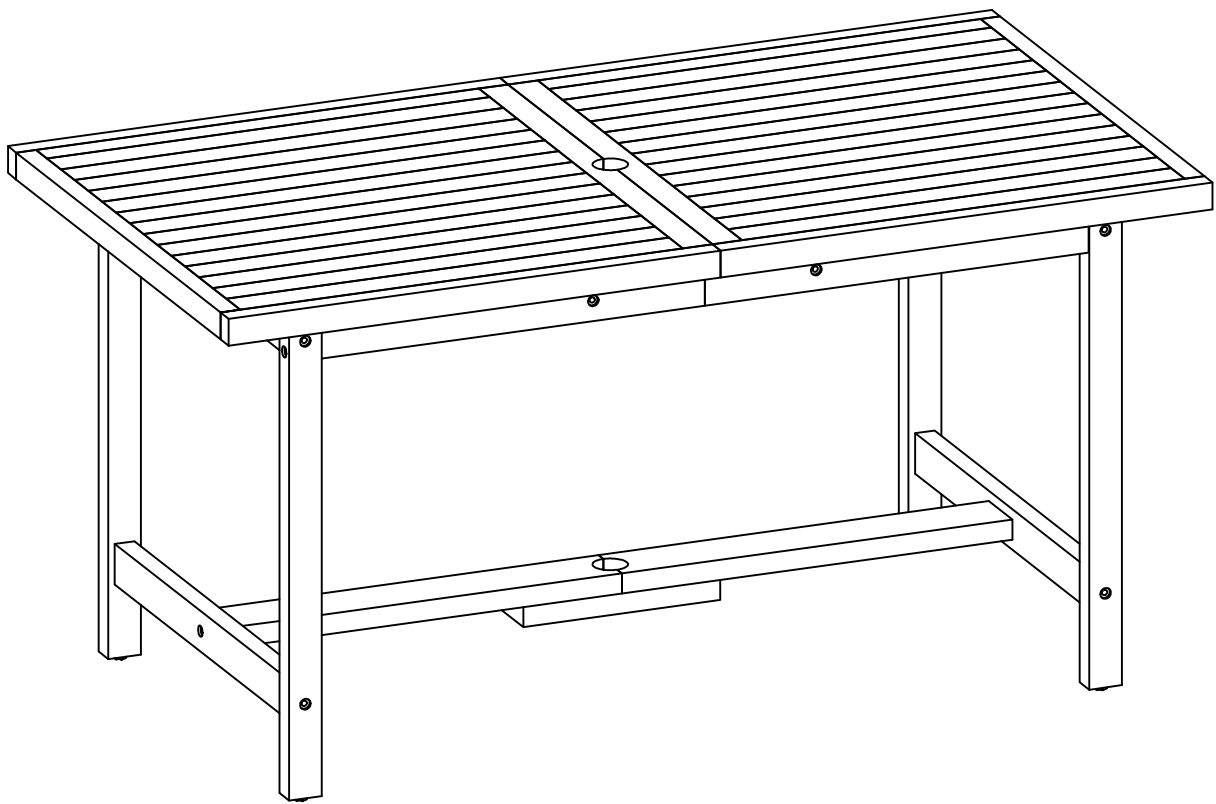


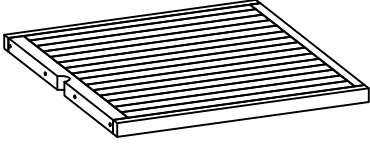
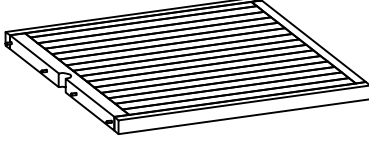

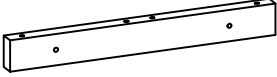


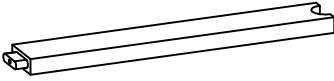
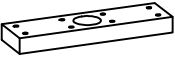
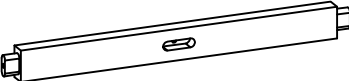
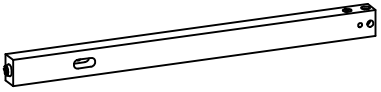

Please look into the Table for hardware packs.

N711P381979O/N711P381979D - Rectangular table









Caution: This Chair is NOT a TOY
Keep your child/children at bay during the assembly process.
Whenever lifting or moving the Chair and to prevent damage to the Chair,
two adults may be needed to execute these action.

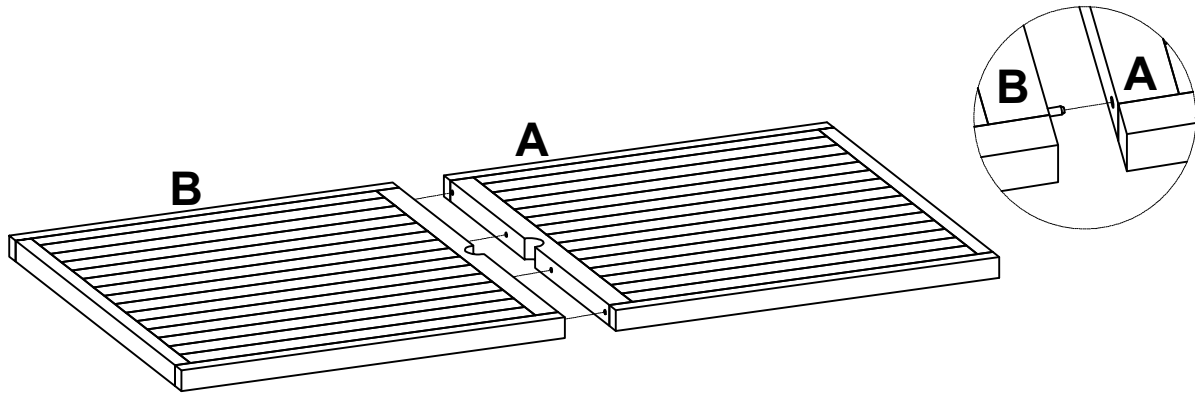
Part List

Label	Picture	Description	Qty
A		Table Top	1pc
B		Table Top	1pc
C		Side Apron	2pcs
D		Support Apron	2pcs
E-1		Apron Front left	2pcs
E-2		Apron Front Right	2pcs
F		Stretcher Bar	2pc
G		Support Stretcher Bar	1pc
H		Side Stretcher Bar	2pcs
L		Left Table Leg	2pcs
K		Right table Leg	2pcs

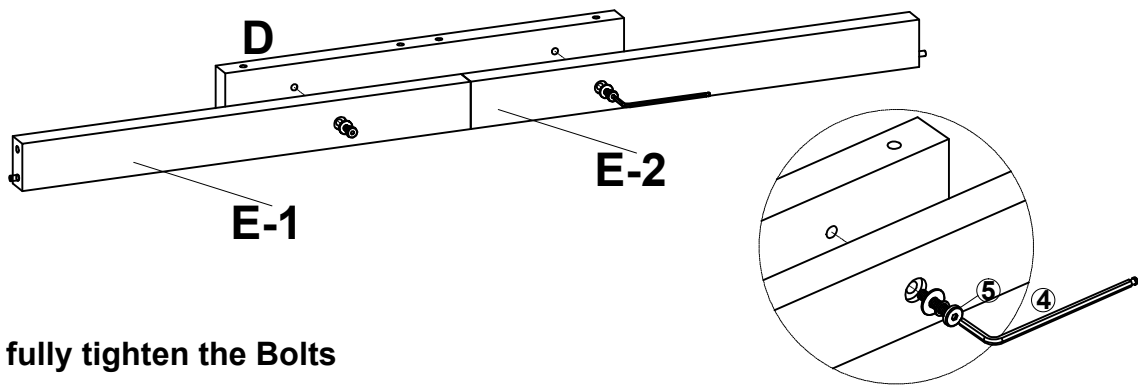
Hardware

Label	Picture	Description	Qty
①		Bolt 1/4" x 60mm	26pcs + 1 extra
②		Lock Washer Ø8 x 13mm	38pcs + 1 extra
③		Flat Washer Ø8 x 16 x 2mm	38pcs + 1 extra
④		Allen Key	1pc
⑤		Bolt 1/4" x 35mm	12pcs + 1 extra
⑥		Flip-top cable grommet	1pc

Step 1

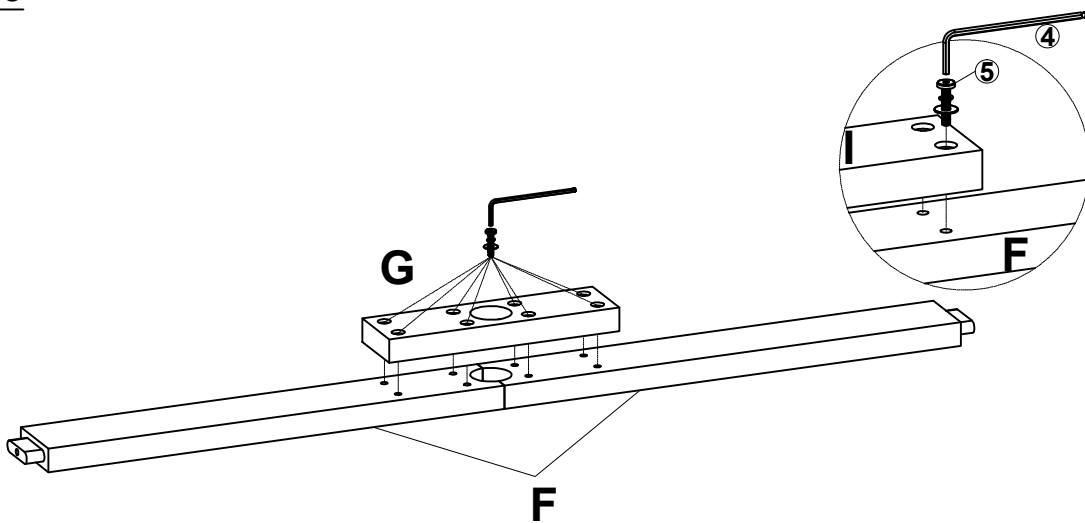


Step 2 x 2



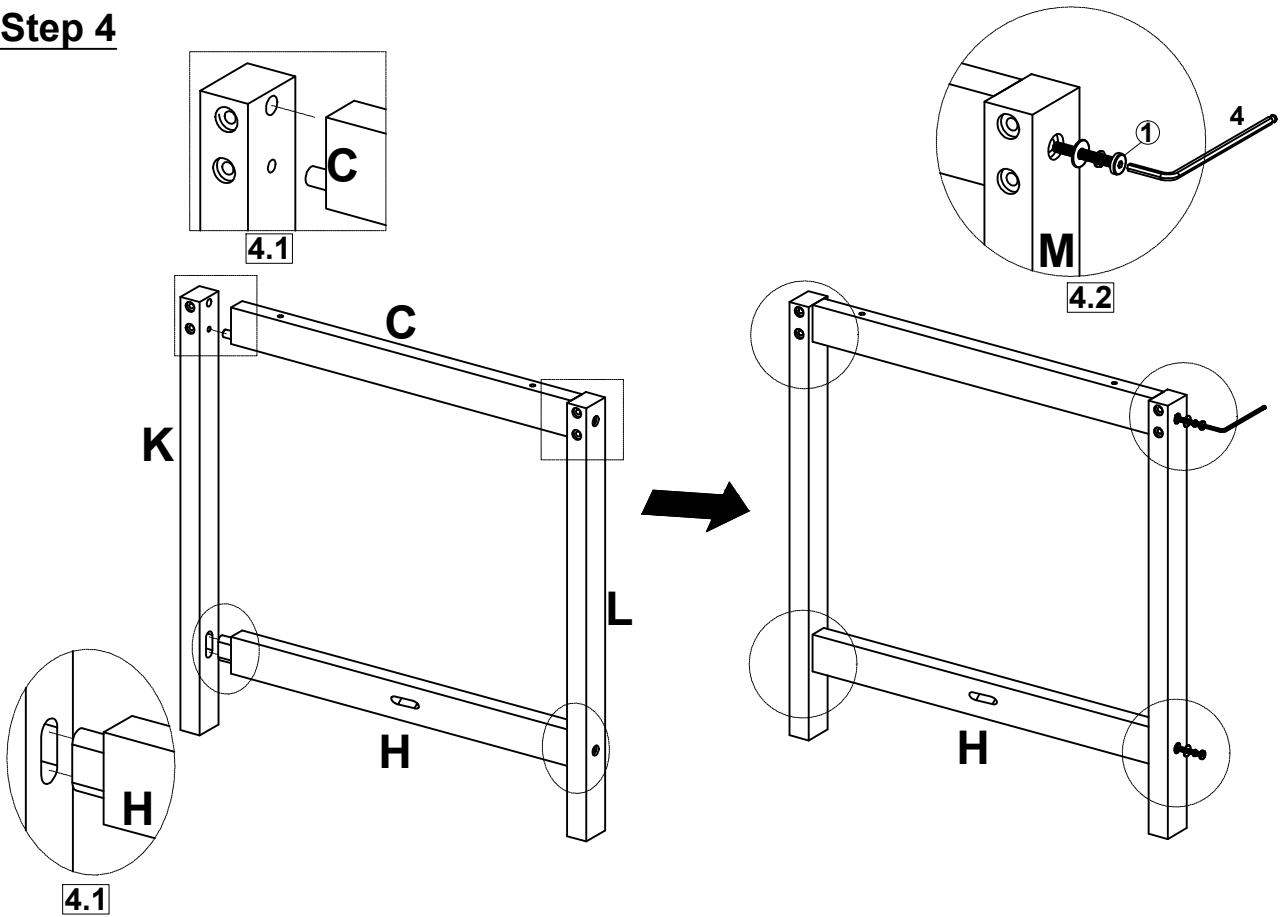
Do not fully tighten the Bolts

Step 3



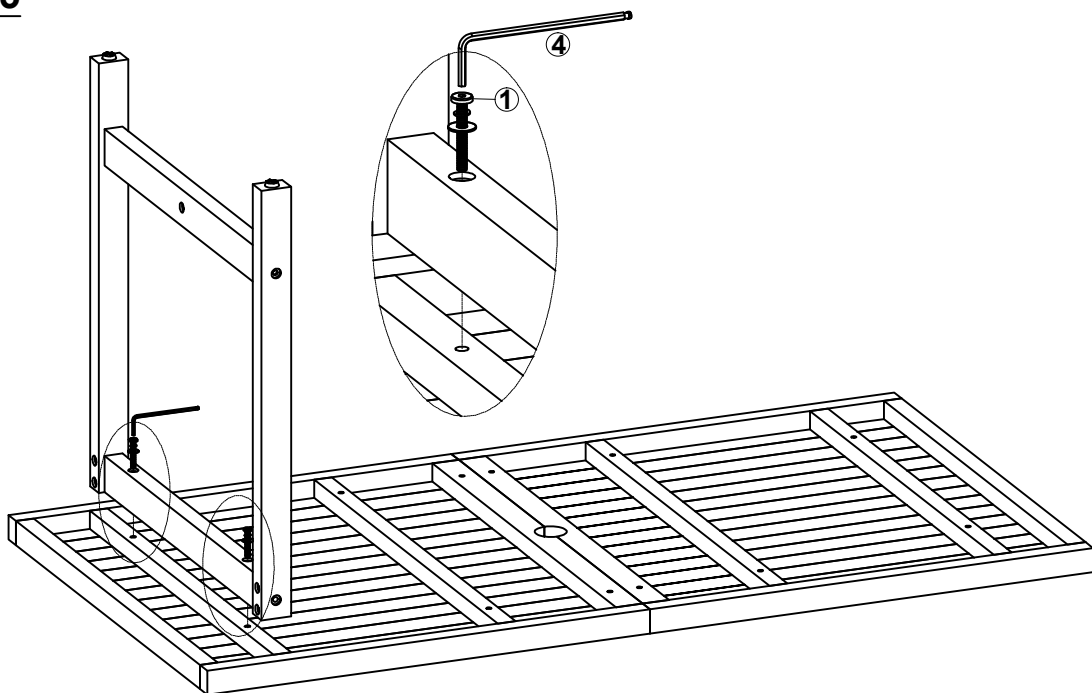
Do not fully tighten the Bolts

Step 4



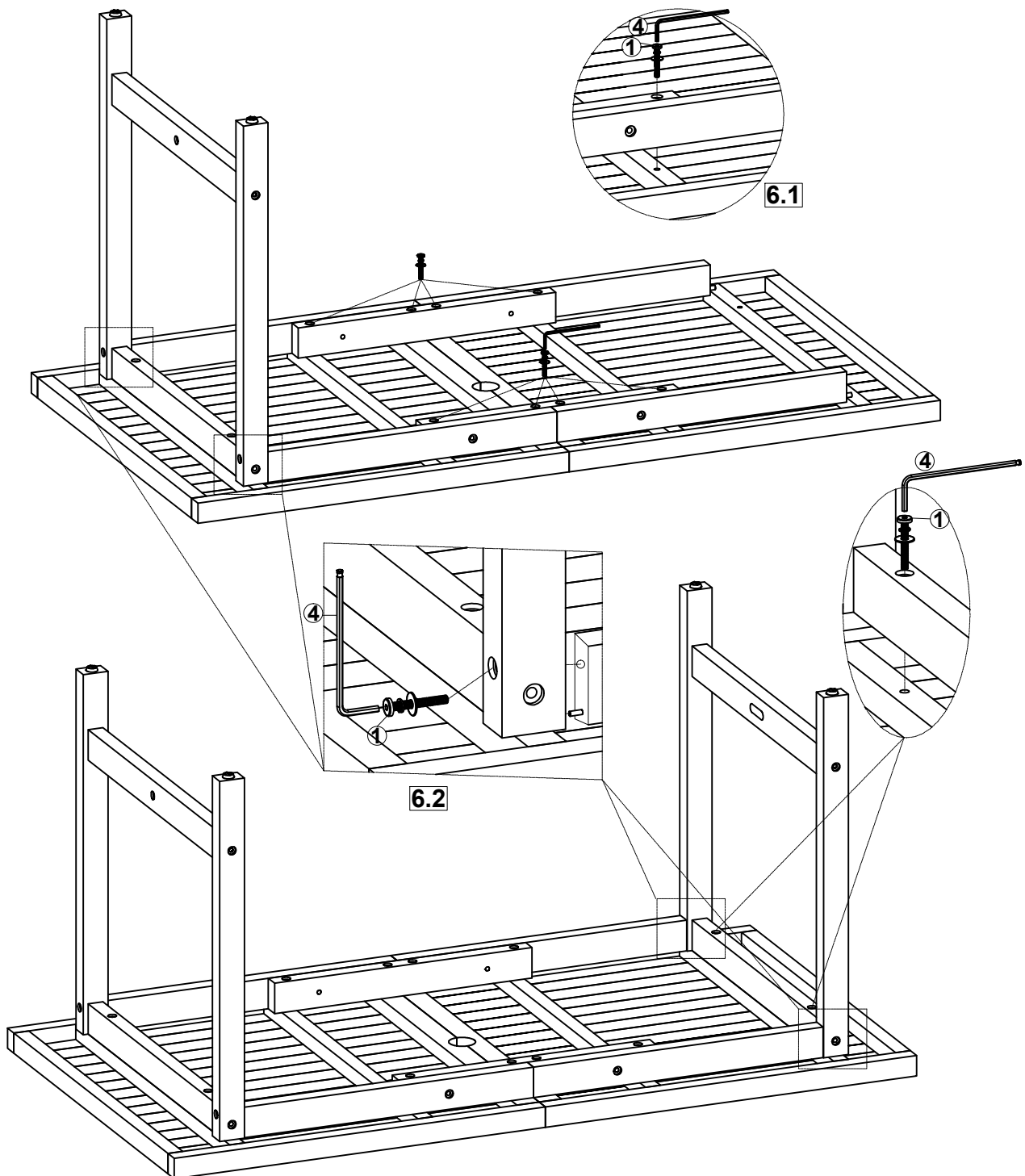
Do not fully tighten the Bolts

Step 5



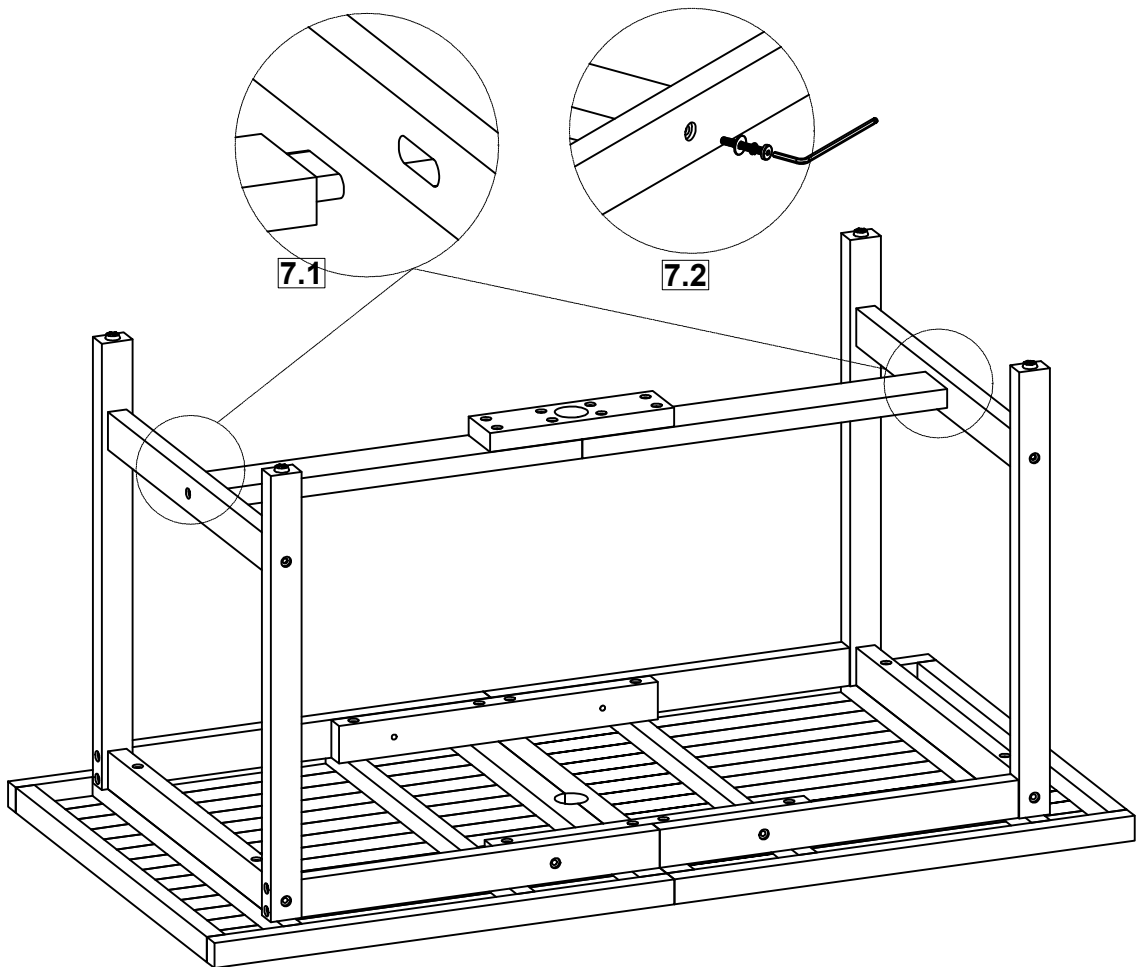
Do not fully tighten the Bolts

Step 6



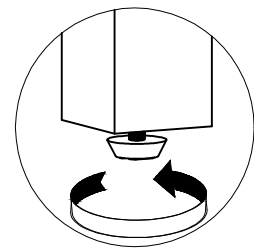
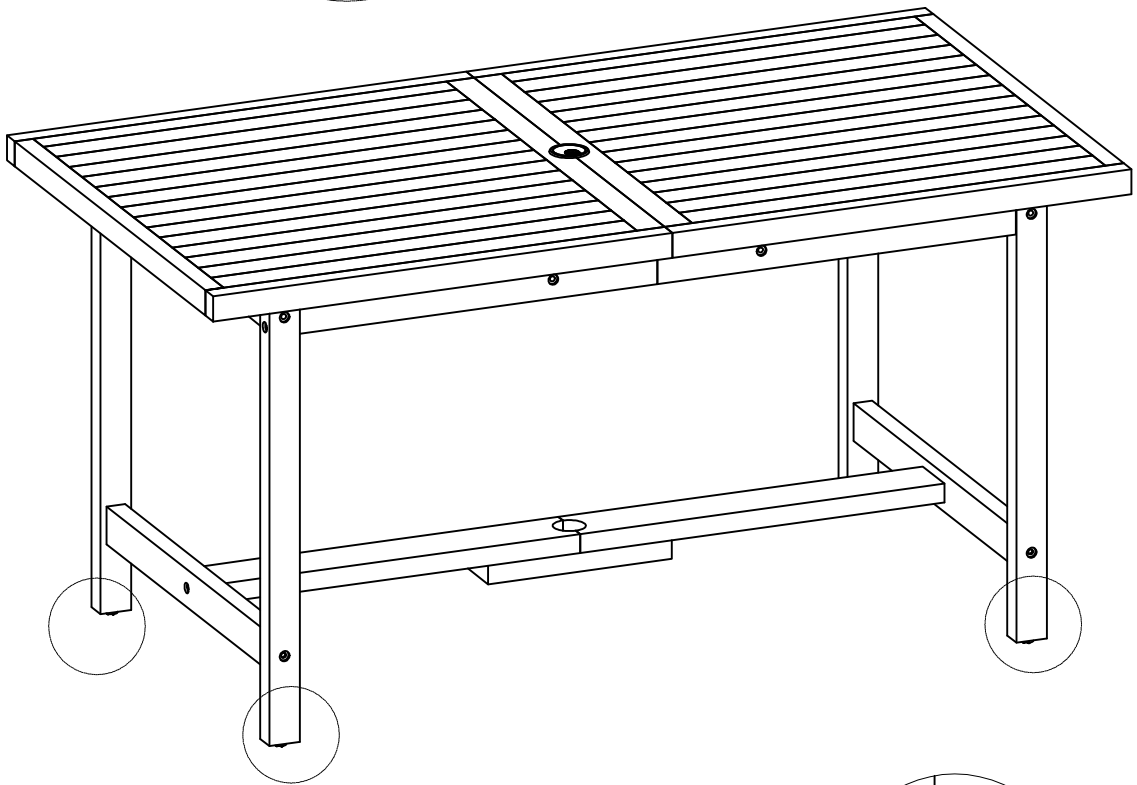
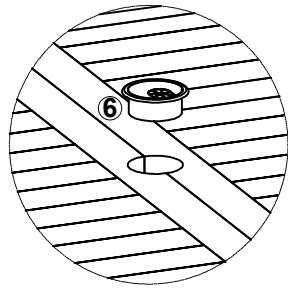
Do not fully tighten the Bolts

Step 7



Tighten the Bolts

Step 8



Adjustable floor leveler

Step 7

