

# ASSEMBLY INSTRUCTIONS FURNITURE



*Furniture for every stage of life*

## Dining Set

# ASSEMBLY INSTRUCTIONS

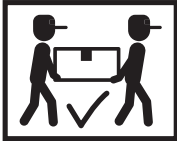
## ASSEMBLY TIPS:

1. Remove hardware from box and sort by size.
2. Please check to see that all hardware and parts are present prior to start of assembly.
3. Please follow attached instructions in the same sequence as numbered to assure fast & easy assembly.



### WARNING!










1. Don't attempt to repair or modify parts that are broken or defective. Please contact the store immediately.
2. This product is for home use only and not intended for commercial establishments.





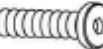

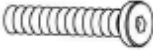

ASSEMBLY TIME

30 MINUTES

## PARTS IDENTIFICATION

No	DESCRIPTION & FIGURE	QTY
A	Table Top 	1pc
B	Table Leg 	2pcs
C	Table Frame 	2pcs
D	Chair Back 	4pcs
E	Left Leg 	4pcs
F	Right Leg 	4pcs
G	Middle Rail 	4pcs
H	Front Rail 	4pcs
I	Seat Board 	4pcs

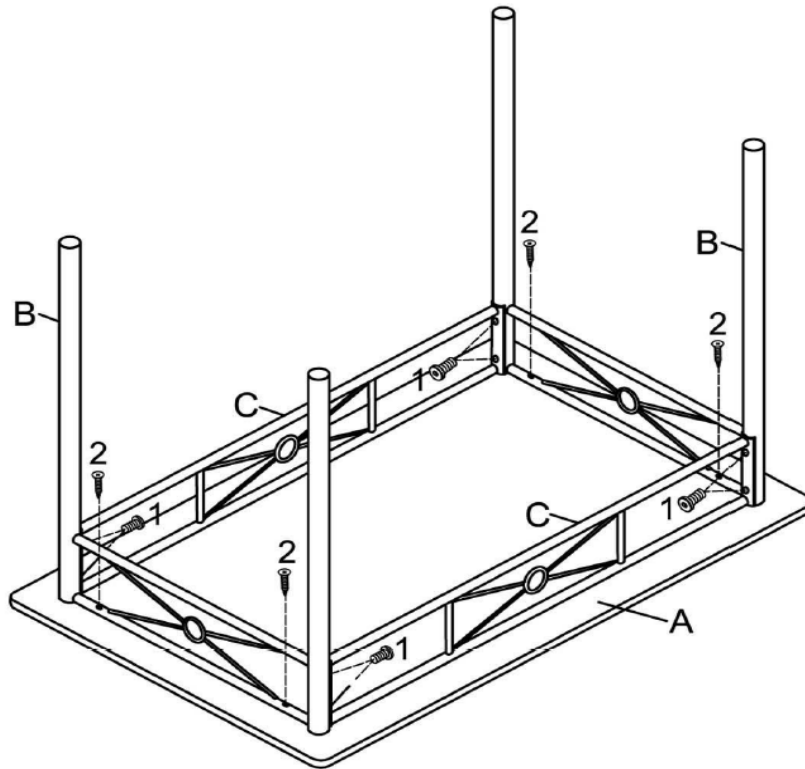
## HARDWARE PACKAGE:

No	DESCRIPTION	FIGURE	QTY
1	BOLT (shorter)	 M6x12mm	32pcs
2	TAP BOLT (longer)	 M4x28mm	4pcs
3	BOLT (longer)	 M6x35mm	16pcs
4	BOLT (longer)	 M6x25mm	8pcs
5	BOLT (longer)	 M6x40mm	8pcs
6	ALLEN KEY (4MM)		1pc

### NOTE:

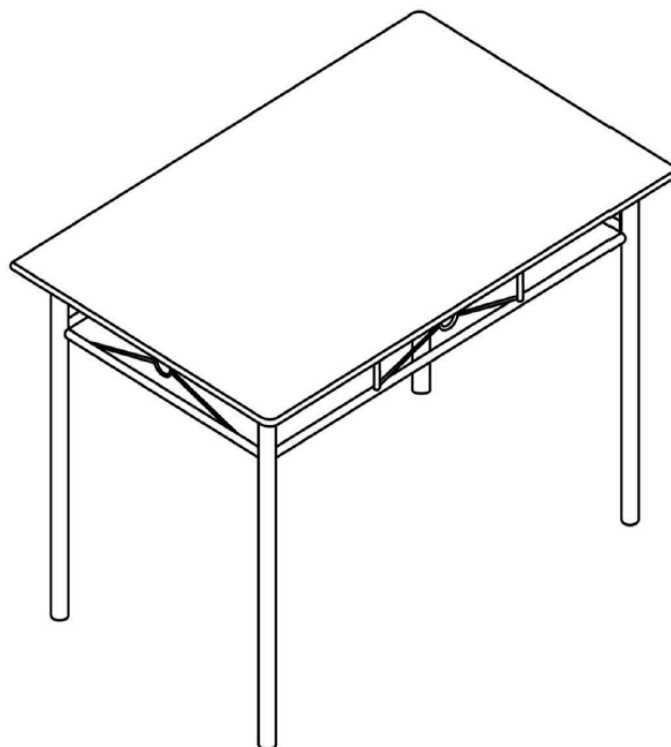
Phillips head screw driver is required in the assembly process; however, manufacturer does not provide this item.

## STEP 1

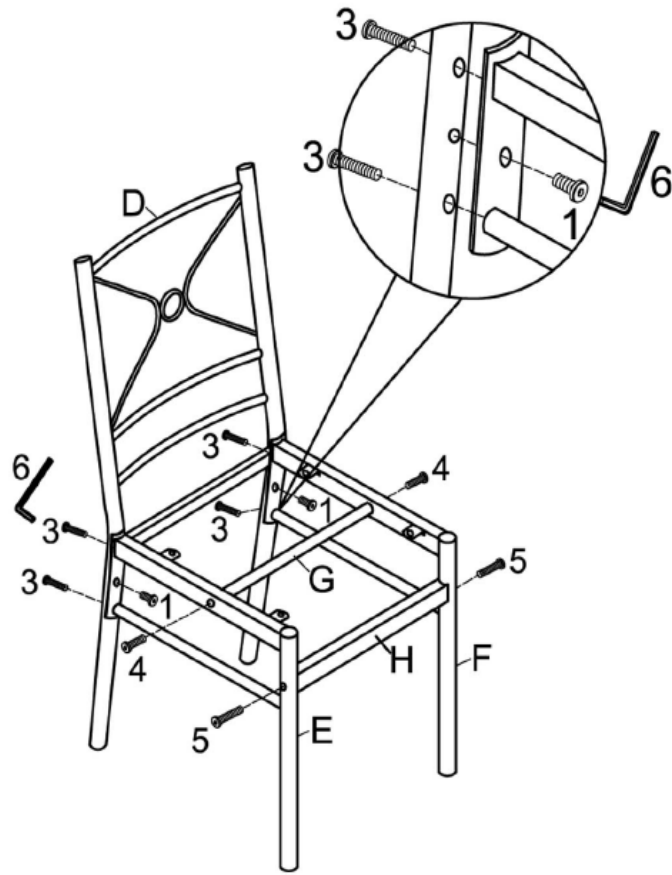


---

## STEP 2

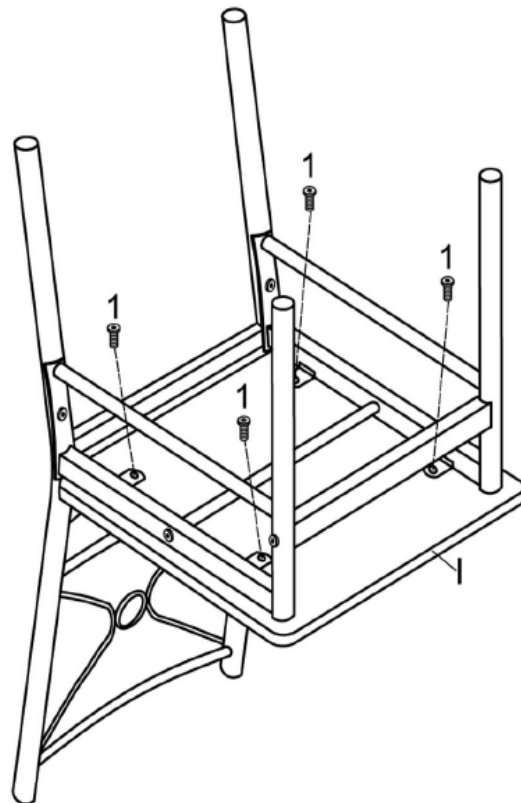


**STEP 3**



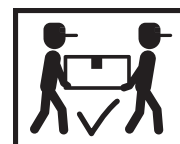
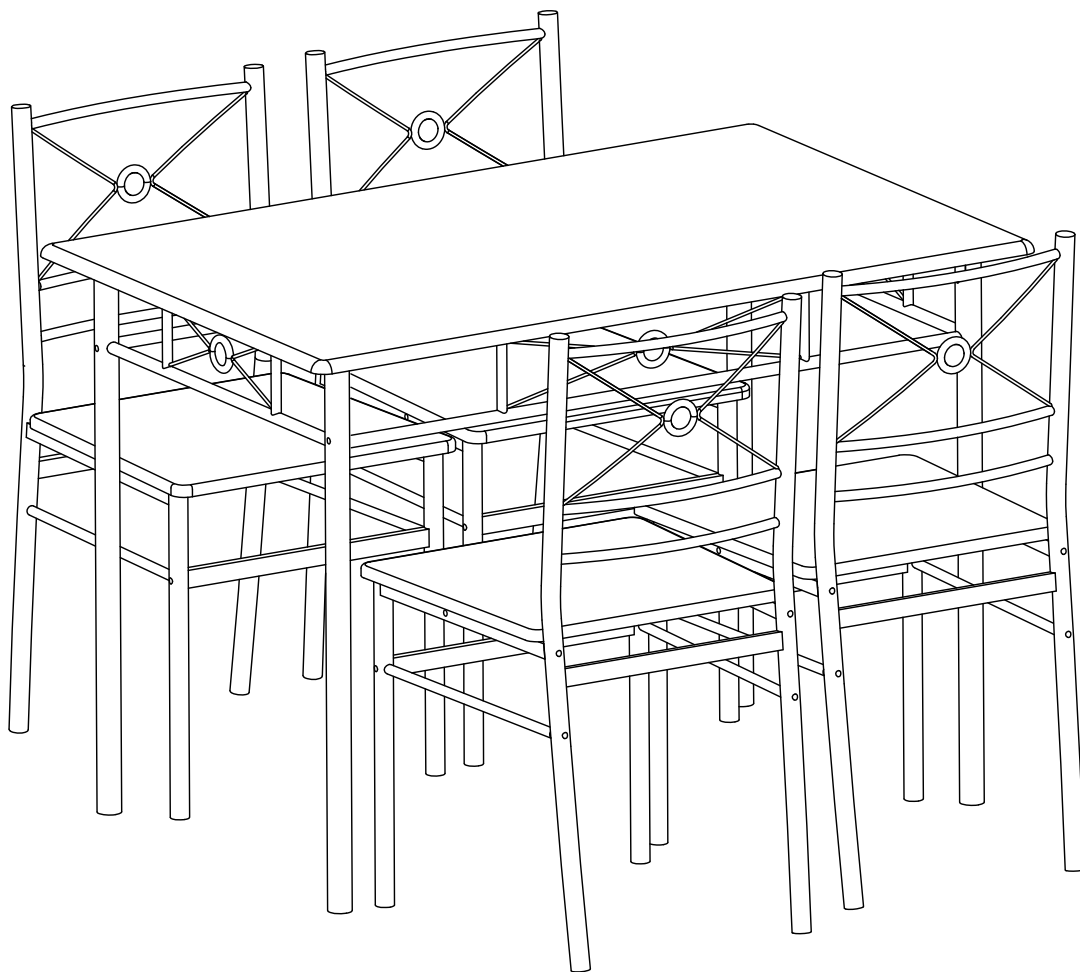
**×4**

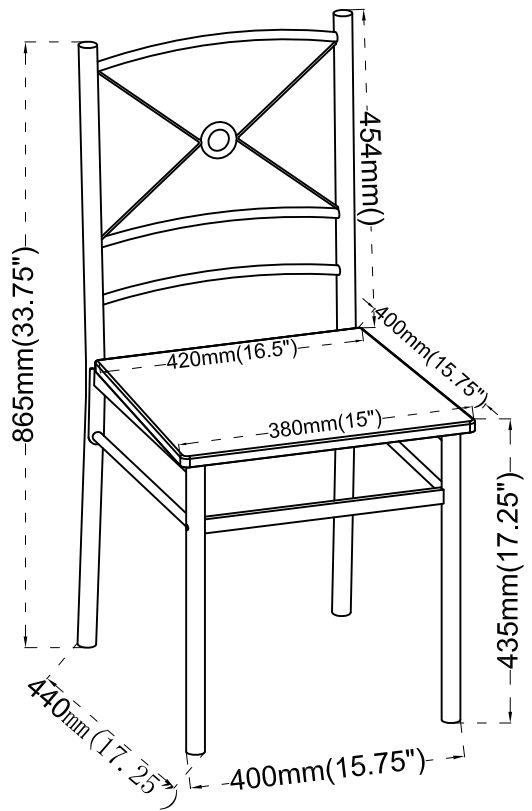
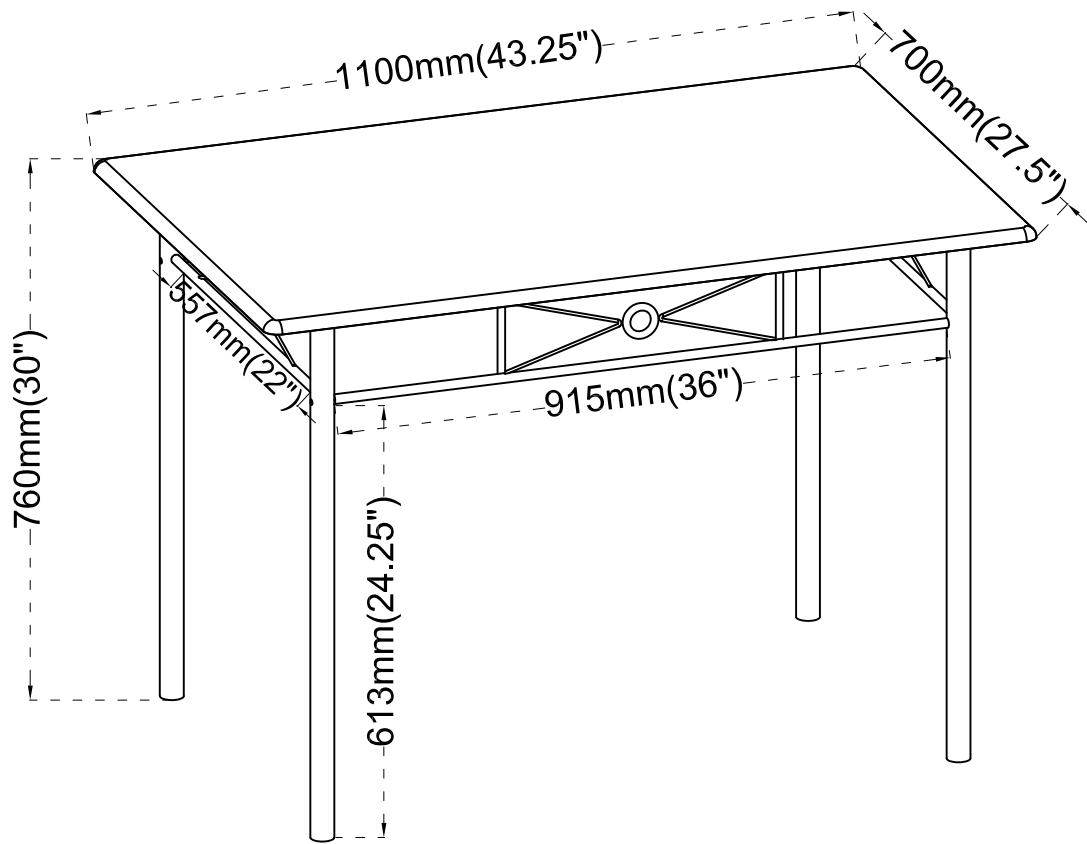
**STEP 4**



**×4**

**STEP 5**  
**COMPLETE**





Note: Dimension tolerance  $\pm 5\%$