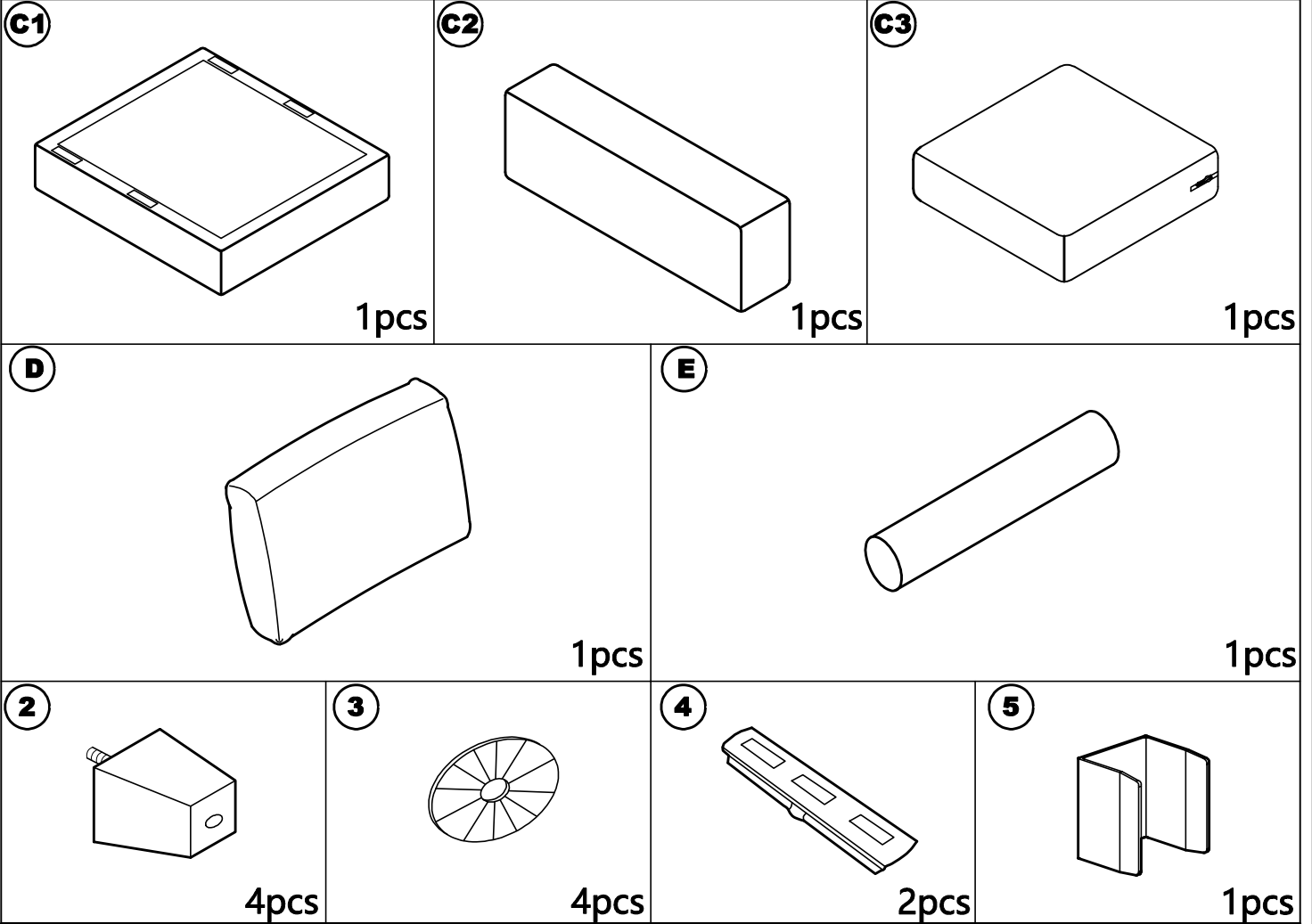


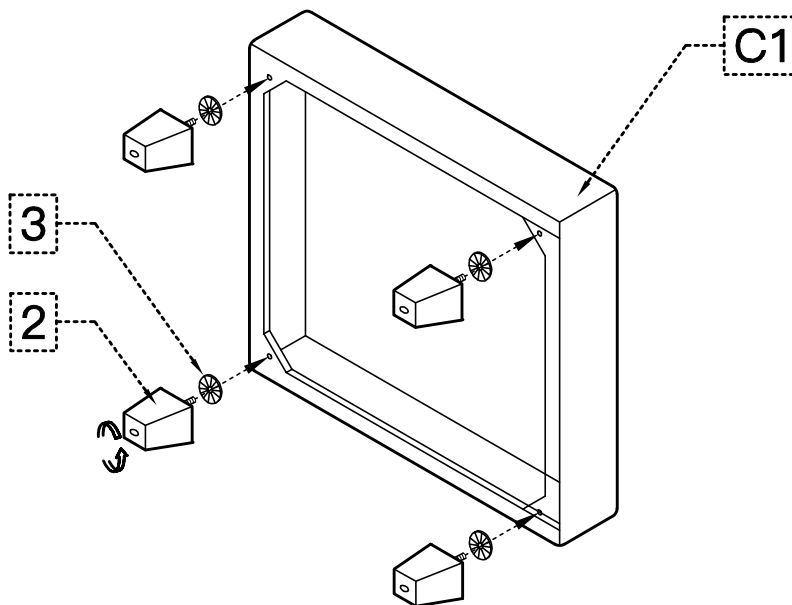
ASSEMBLY INSTRUCTIONS




parts list



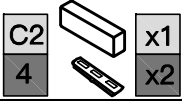
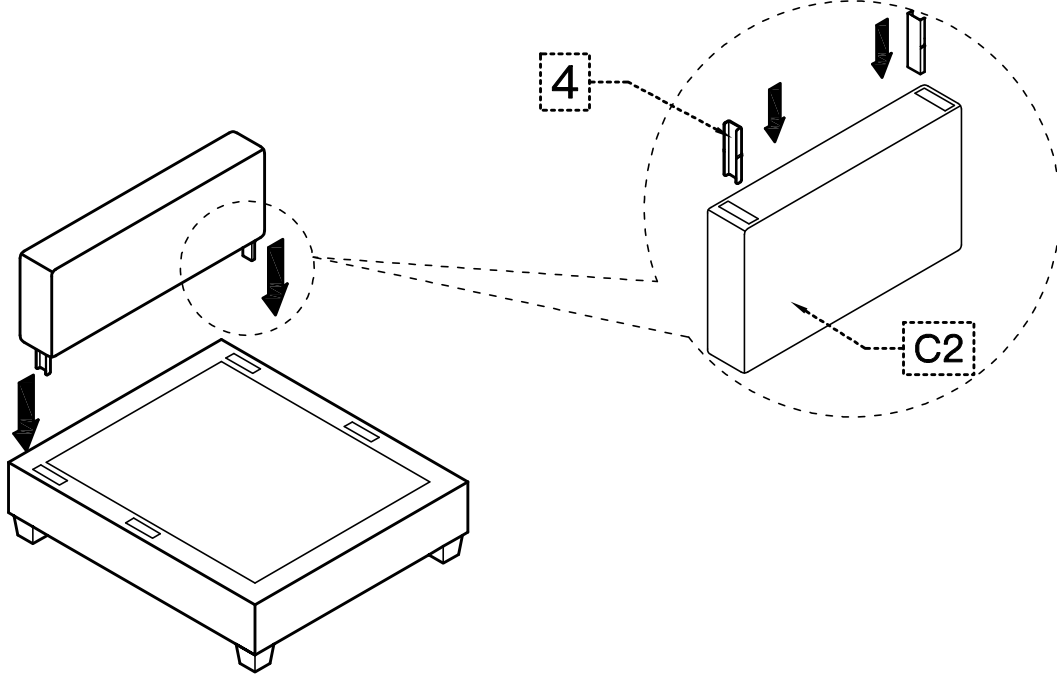
Installation method

Step 1

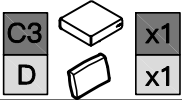
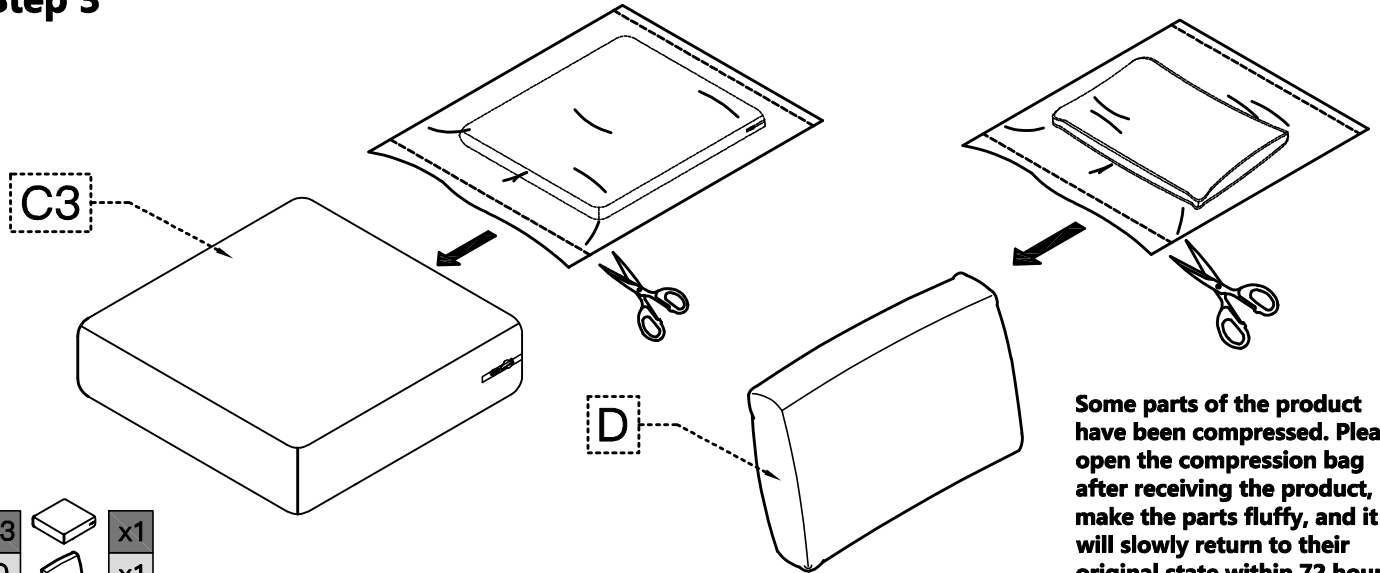


C1		x1
2		x4
3		x4

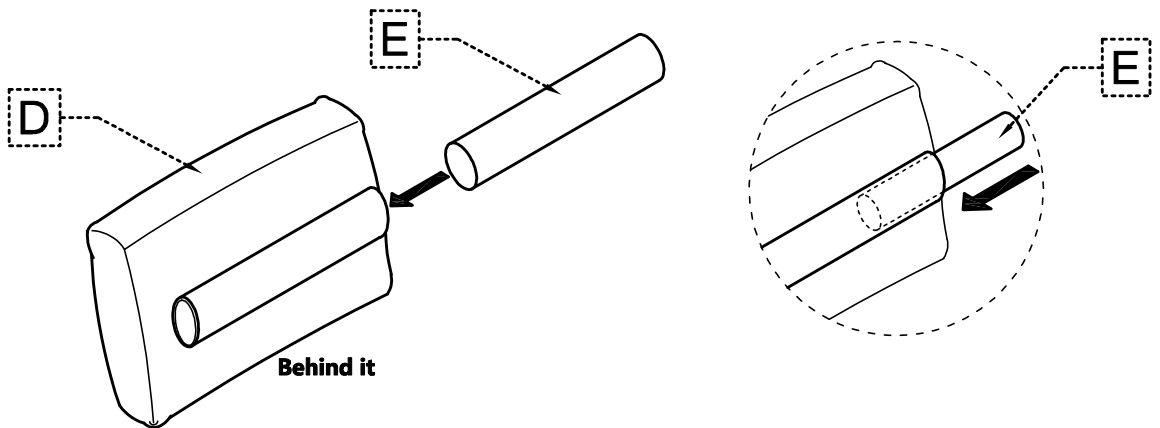
Step 2



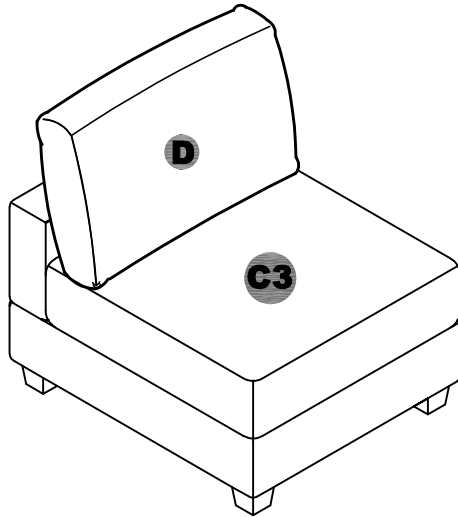
Step 3



Step 4

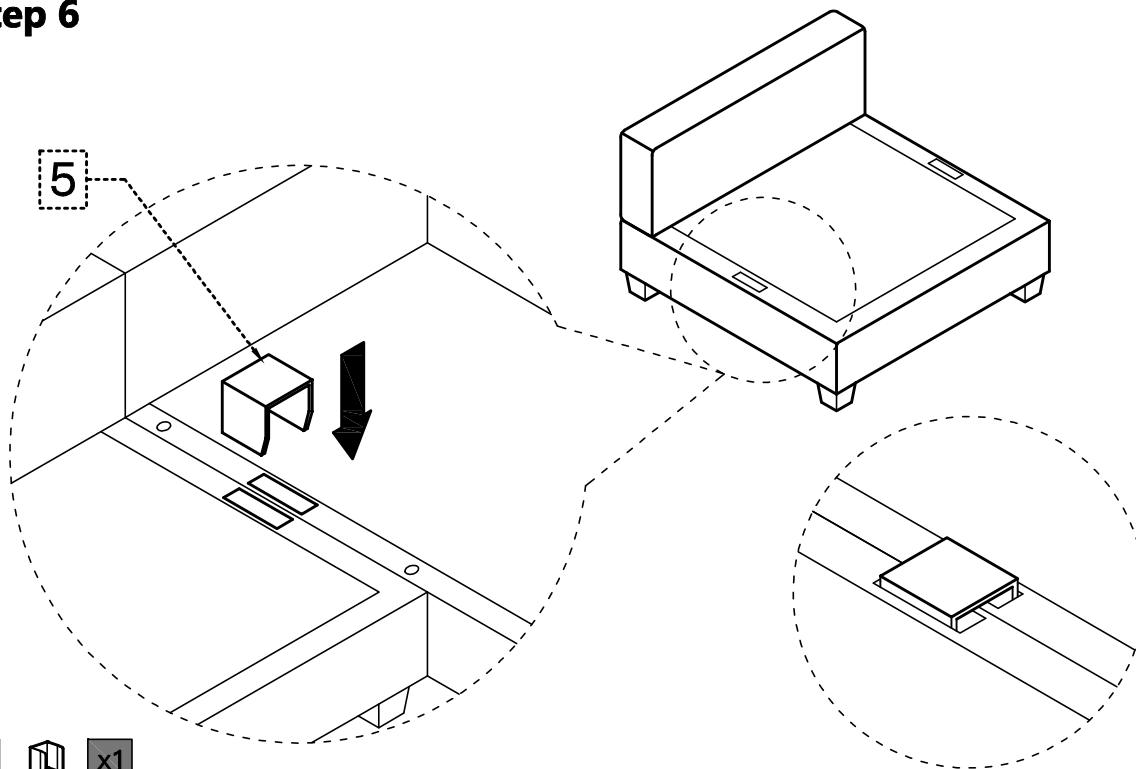


Step 5



Instructions on sofa connection

Step 6



5  x1

This product can be assembled with other sofa seats through the reserved position on the sofa, and the sofa can be assembled according to the actual use and needs.

Assembl completed!