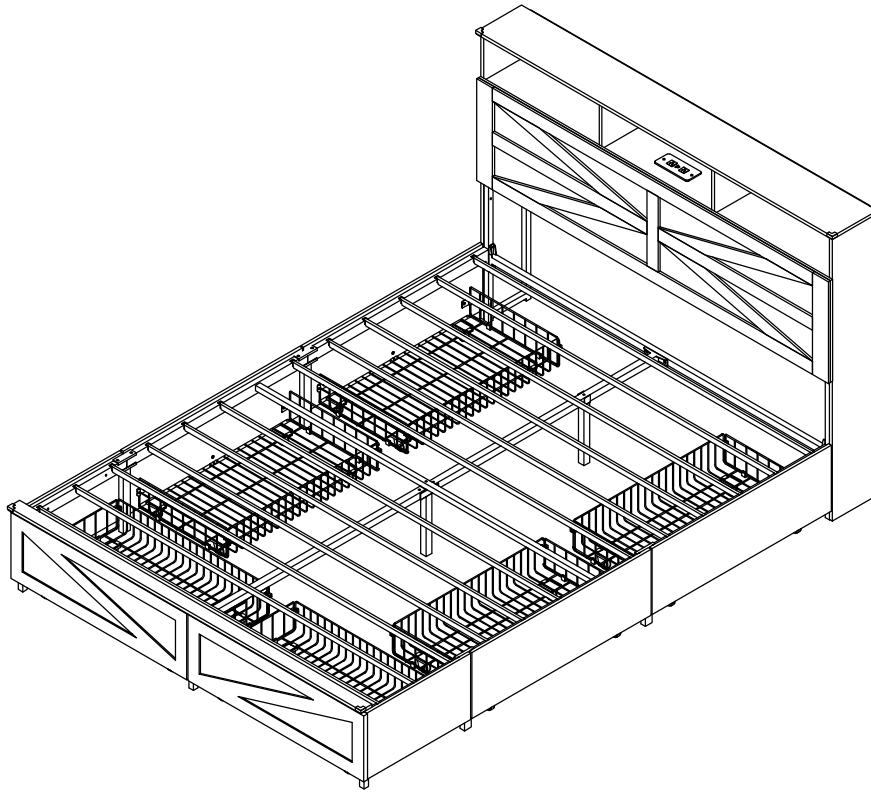


Version:1.0
DJ504654

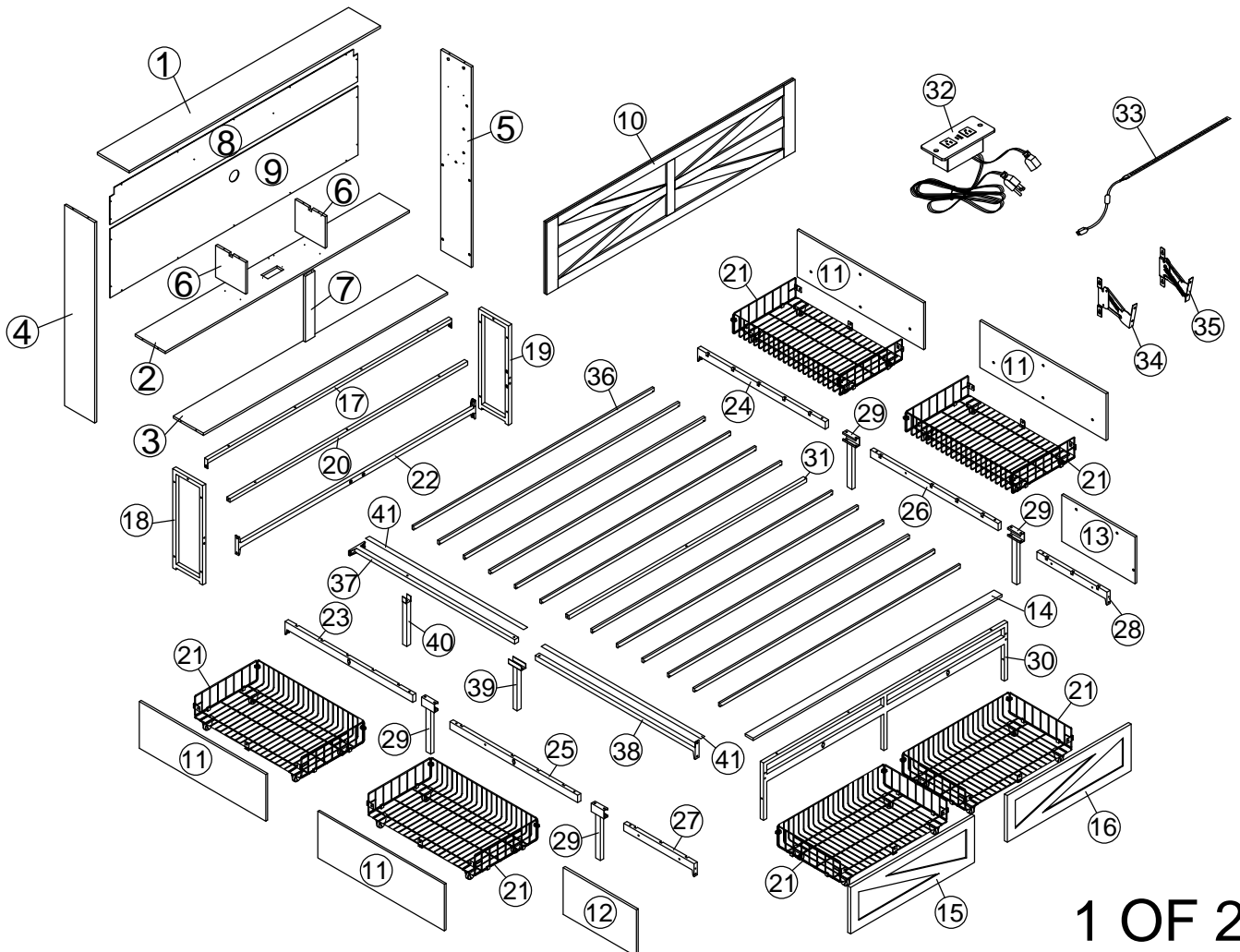


Note:

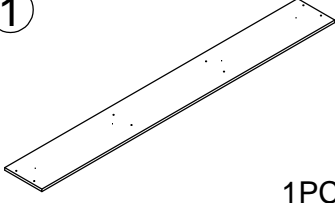
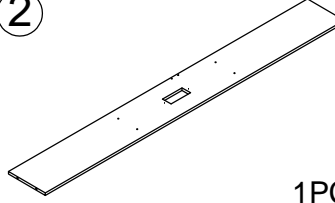
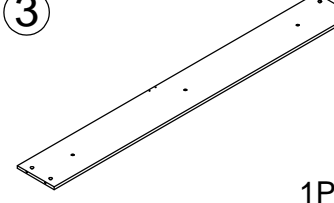
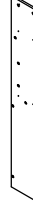
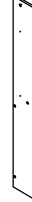
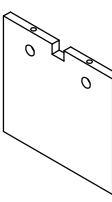

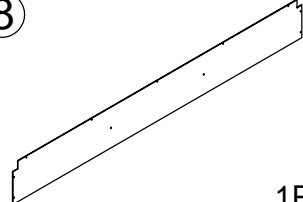
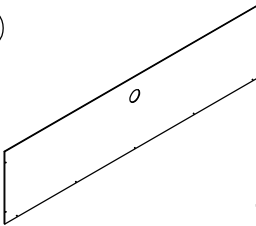
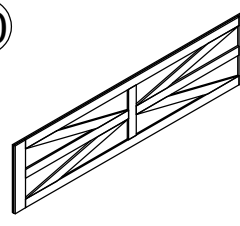
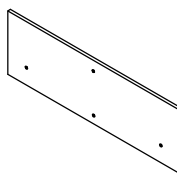
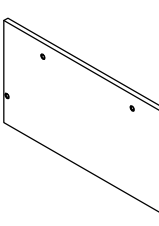
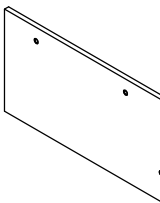
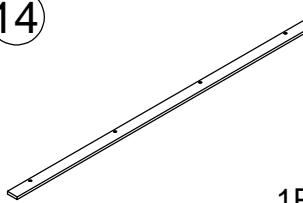
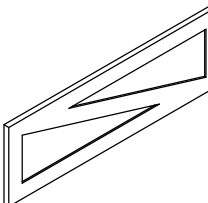
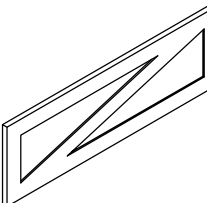
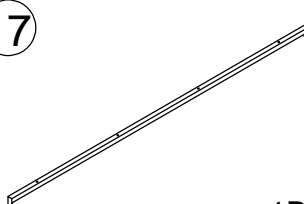
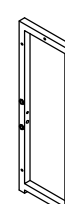

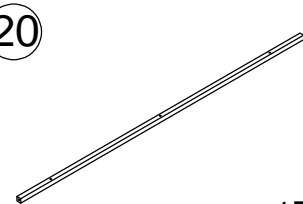
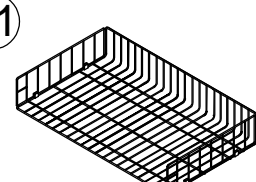
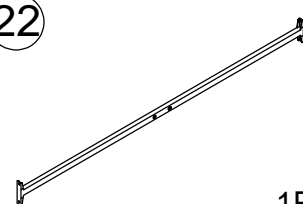
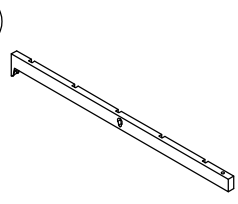
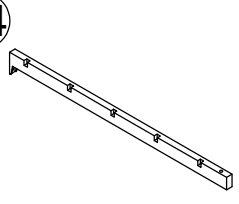
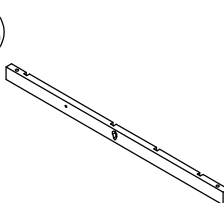
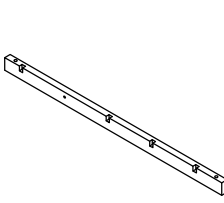
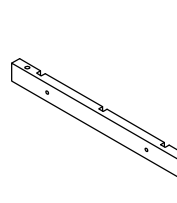
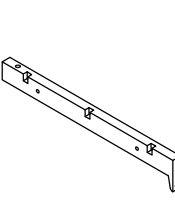

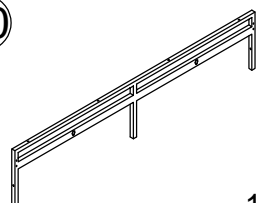
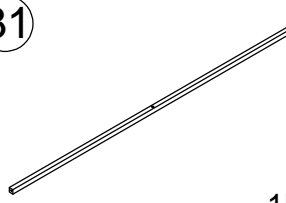
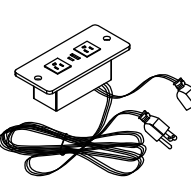
Should be assembled on flat ground to keep balance.

It needs at least two people to install.

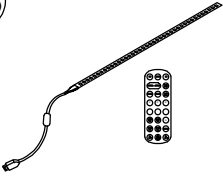
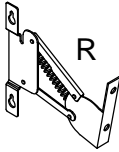
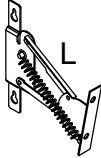
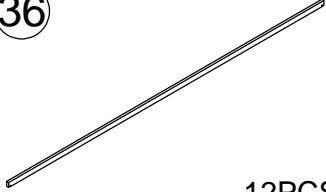
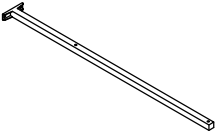
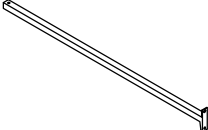
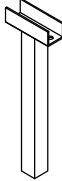


Before starting the assembly, you must read the whole manual and follow the instructions.



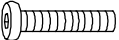
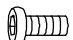
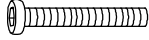
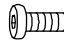


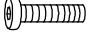


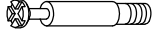

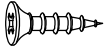
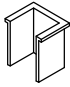


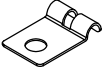
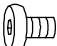
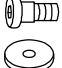




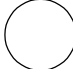
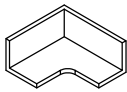
Part list

<p>①</p>  <p>1PC</p>	<p>②</p>  <p>1PC</p>	<p>③</p>  <p>1PC</p>	<p>④</p>  <p>1PC</p>
<p>⑤</p>  <p>1PC</p>	<p>⑥</p>  <p>2PC</p>	<p>⑦</p>  <p>1PC</p>	<p>⑧</p>  <p>1PC</p>
<p>⑨</p>  <p>1PC</p>	<p>⑩</p>  <p>1PC</p>	<p>⑪</p>  <p>4PCS</p>	<p>⑫</p>  <p>1PC</p>
<p>⑬</p>  <p>1PC</p>	<p>⑭</p>  <p>1PC</p>	<p>⑮</p>  <p>1PC</p>	<p>⑯</p>  <p>1PC</p>
<p>⑰</p>  <p>1PC</p>	<p>⑱</p>  <p>1PC</p>	<p>⑲</p>  <p>1PC</p>	<p>⑳</p>  <p>1PC</p>
<p>㉑</p>  <p>6PCS</p>	<p>㉒</p>  <p>1PC</p>	<p>㉓</p>  <p>1PC</p>	<p>㉔</p>  <p>1PC</p>
<p>㉕</p>  <p>1PC</p>	<p>㉖</p>  <p>1PC</p>	<p>㉗</p>  <p>1PC</p>	<p>㉘</p>  <p>1PC</p>
<p>㉙</p>  <p>4PCS</p>	<p>㉚</p>  <p>1PC</p>	<p>㉛</p>  <p>1PC</p>	<p>㉜</p>  <p>1PC</p>

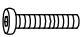

Part list

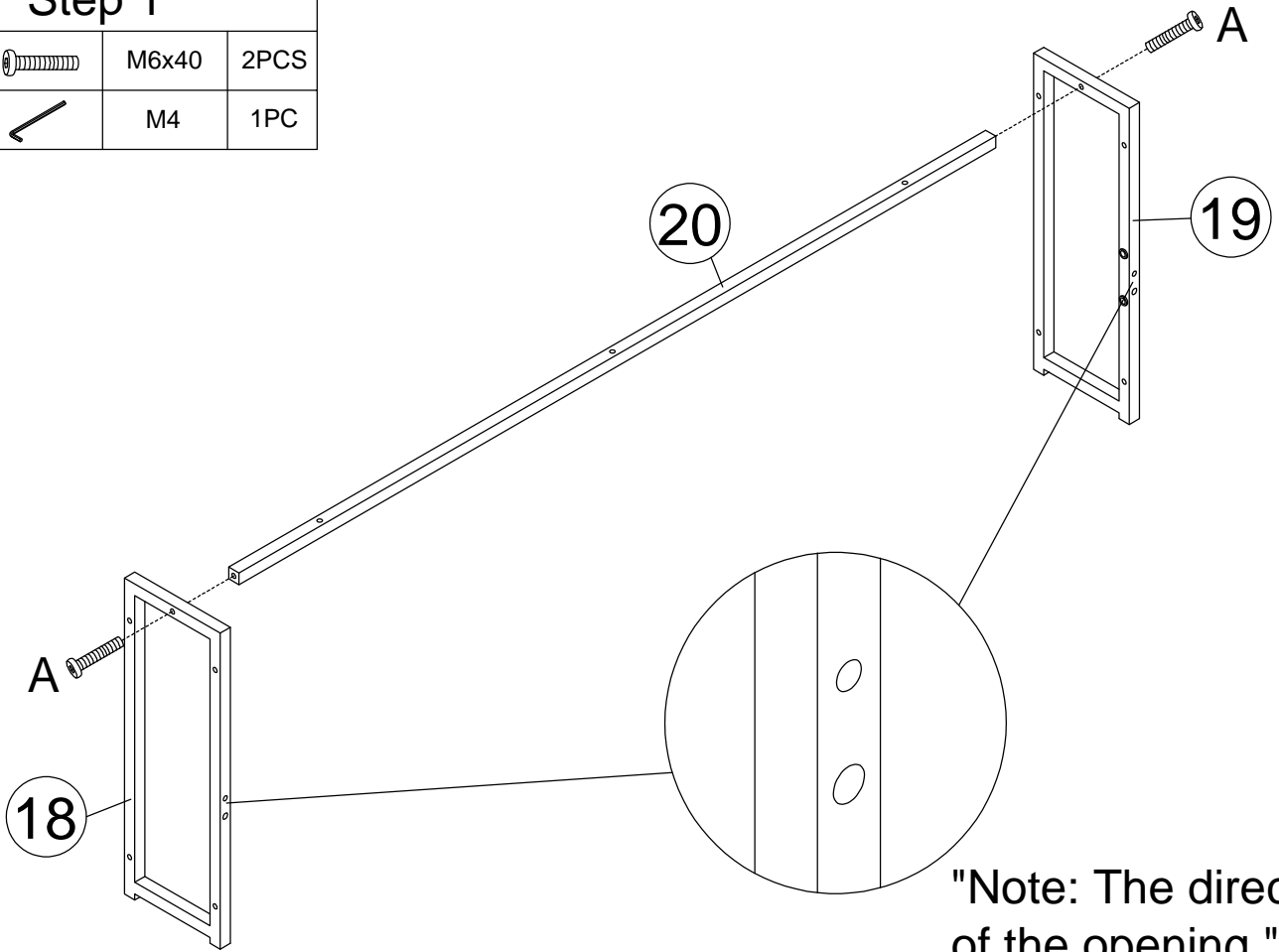
<p>33</p>  <p>1PC</p>	<p>34</p>  <p>1PC</p>	<p>35</p>  <p>1PC</p>	<p>36</p>  <p>12PCS</p>
<p>37</p>  <p>1PC</p>	<p>38</p>  <p>1PC</p>	<p>39</p>  <p>1PC</p>	<p>40</p>  <p>1PC</p>
<p>41</p> <p>990mm</p>  <p>2PCS</p>			

Hardware list



<p>A M6x40</p>  <p>8+1PCS</p>	<p>B M8x16</p>  <p>8+1PCS</p>	<p>C M8x55</p>  <p>9+1PCS</p>	<p>D M6x18</p>  <p>4+1PCS</p>	<p>E M6x20</p>  <p>4+1PCS</p>
<p>F M8x35</p>  <p>3+1PCS</p>	<p>G M6x28</p>  <p>25+2PCS</p>	<p>H M5x40</p>  <p>8+1PCS</p>	<p>I</p>  <p>4+1PC</p>	<p>J</p>  <p>16+1PCS</p>
<p>K</p>  <p>16+1PCS</p>	<p>L M3.5x12</p>  <p>6+1PCS</p>	<p>M</p>  <p>24+4PCS</p>	<p>N</p>  <p>24PCS</p>	<p>O</p>  <p>12PCS</p>
<p>P</p>  <p>18PCS</p>	<p>Q M6x10</p>  <p>28+2PCS</p>	<p>R</p>  <p>6PCS</p>	<p>S</p>  <p>M4 2PCS</p>	<p>T</p>  <p>M5 1PC</p>
<p>U</p>  <p>26+2PCS</p>	<p>V</p>  <p>M4 1PC</p>	<p>W</p>  <p>8+1PCS</p>	<p>X</p>  <p>4+1PCS</p>	

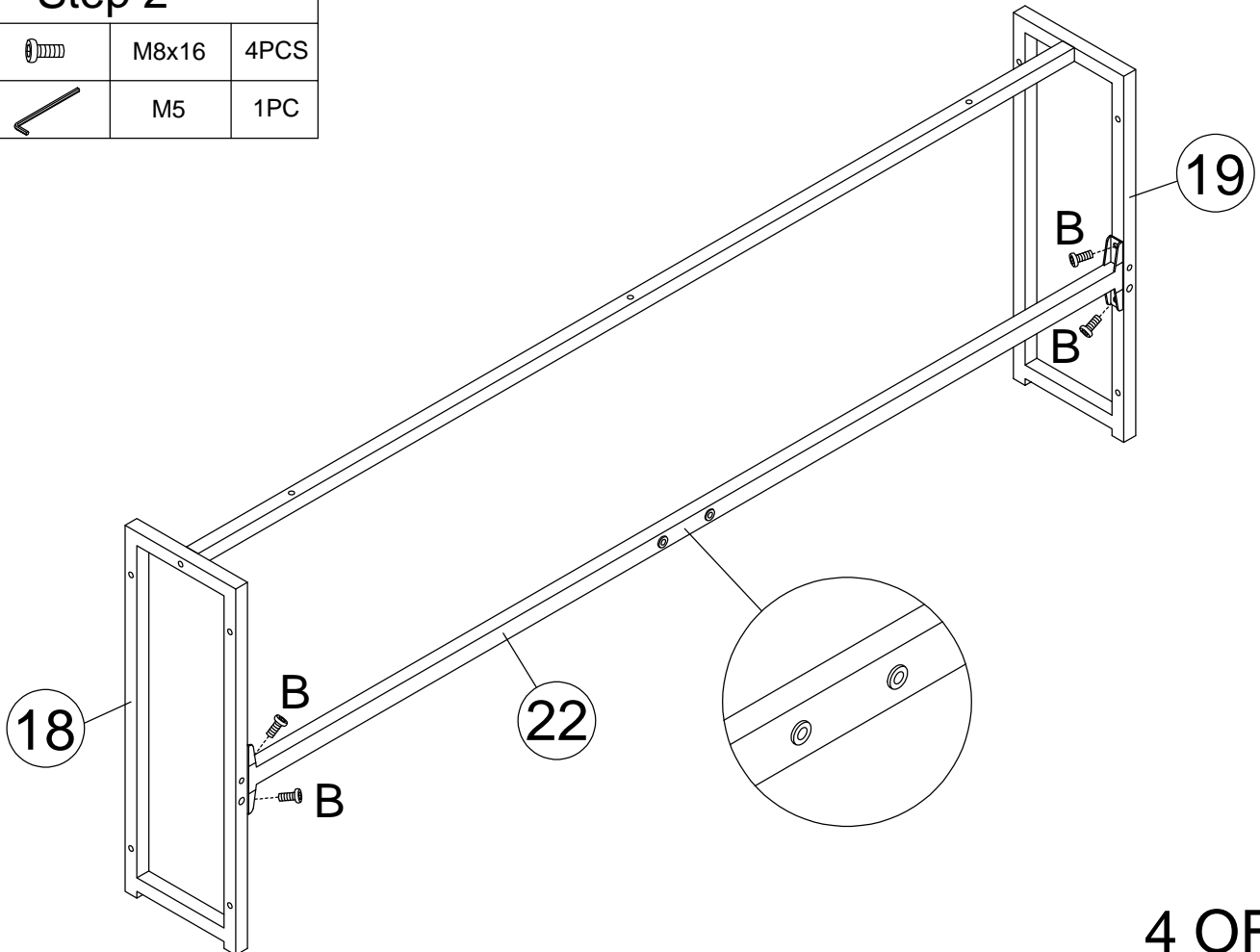
Step 1

A		M6x40	2PCS
S		M4	1PC





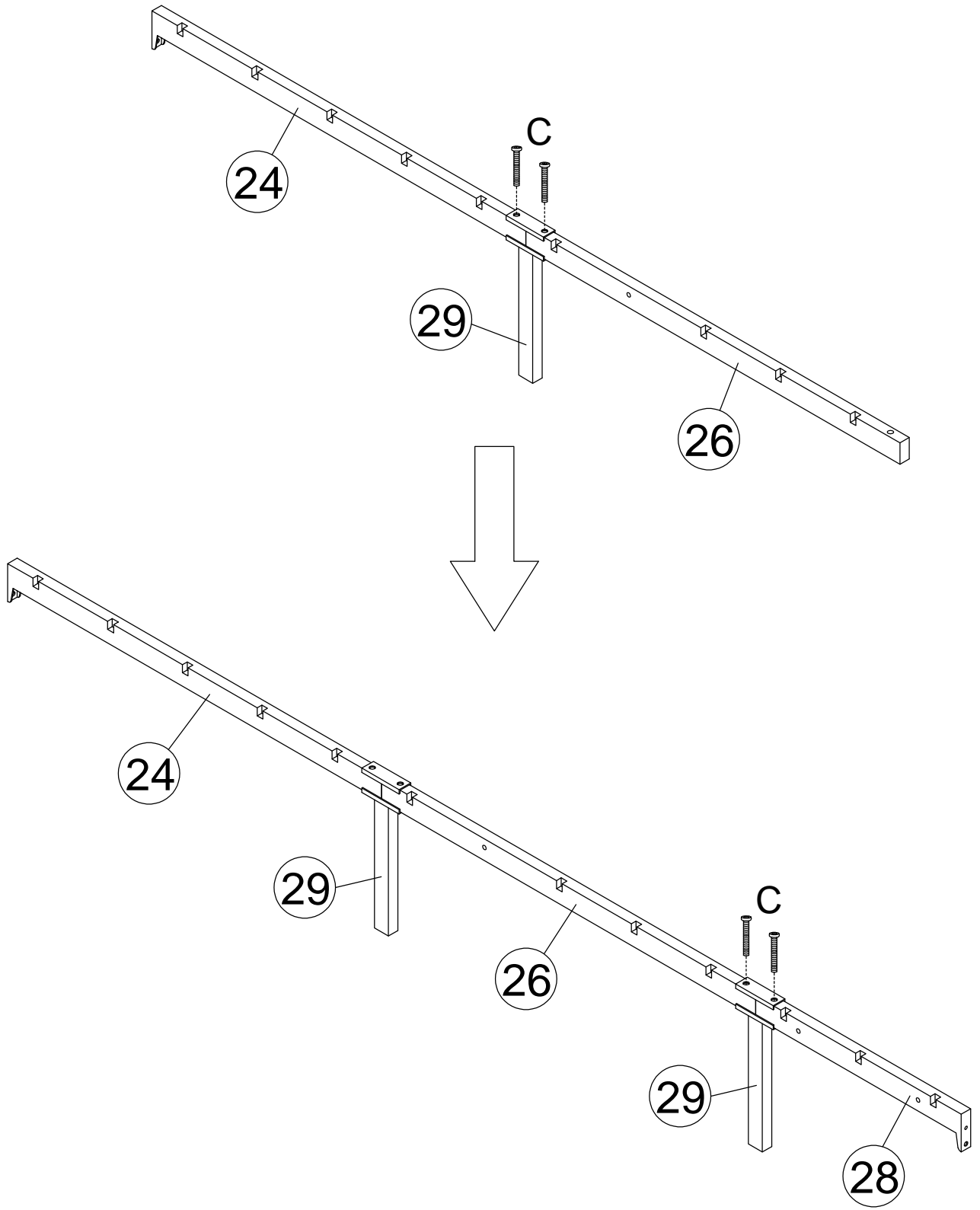
Step 2

B		M8x16	4PCS
T		M5	1PC

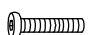





Step 3

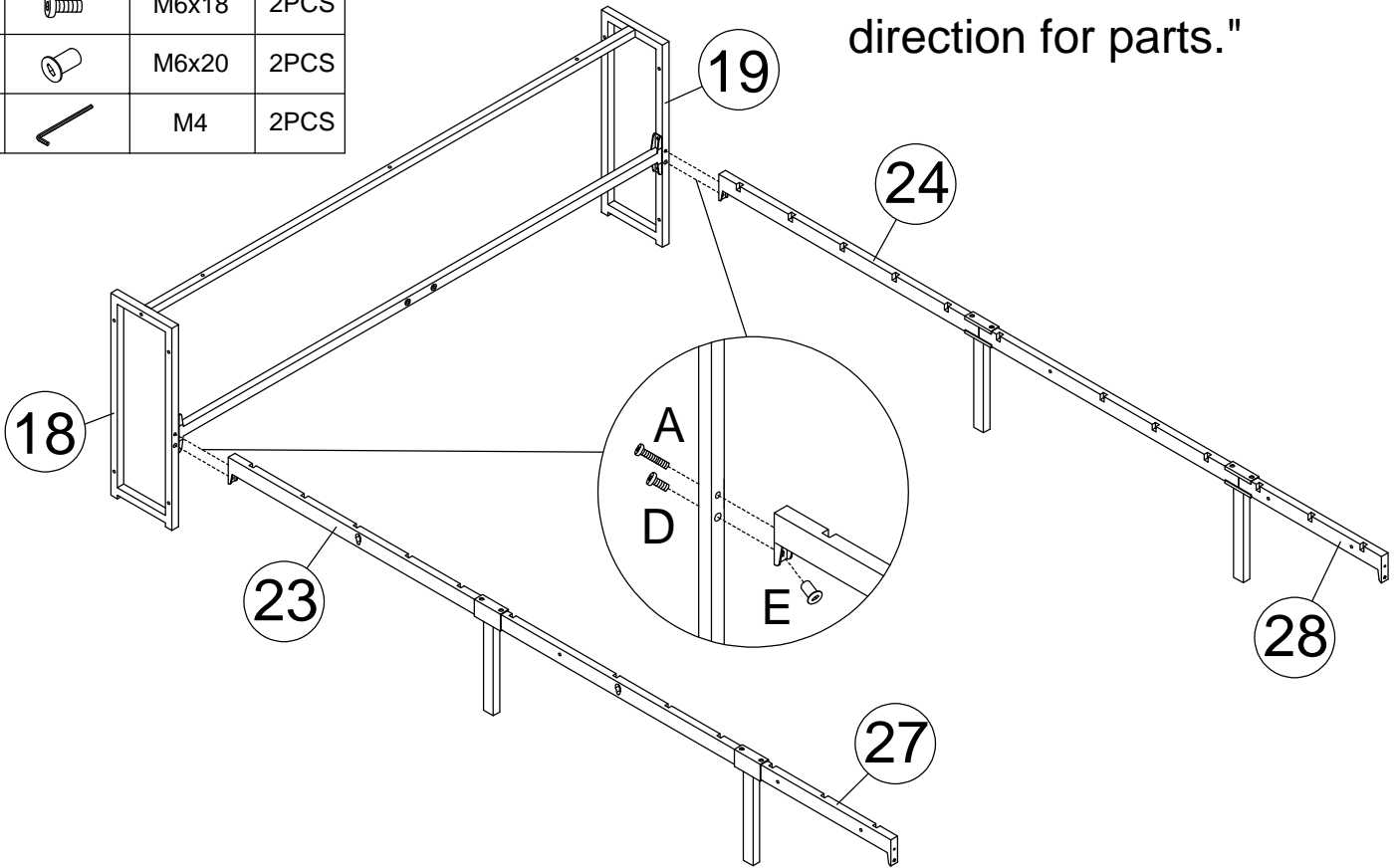
C		M8x55	4PCS
T		M5	1PC



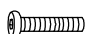



Step 5

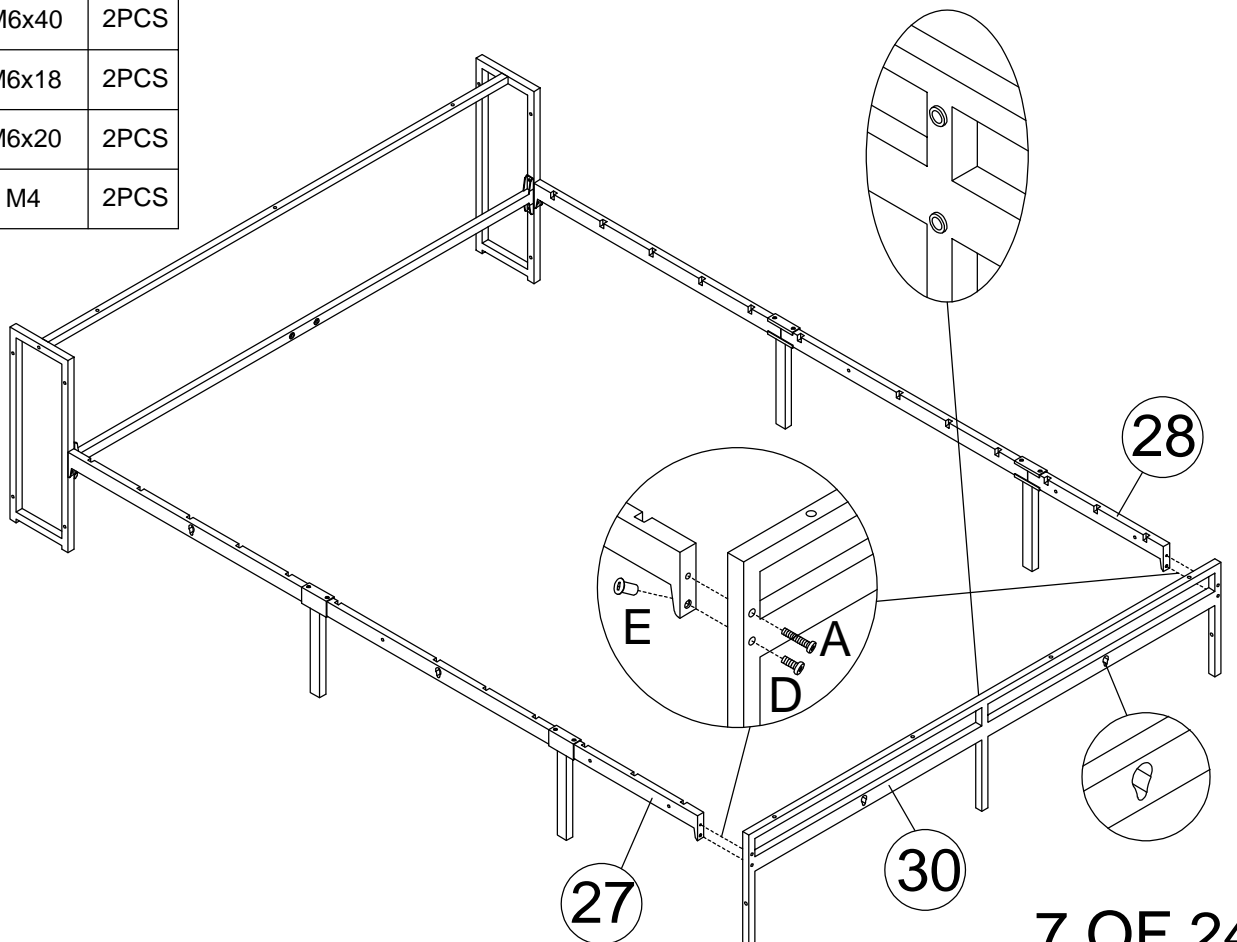
A		M6x40	2PCS
D		M6x18	2PCS
E		M6x20	2PCS
S		M4	2PCS

"Note: Make sure to follow the correct installation direction for parts."

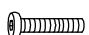





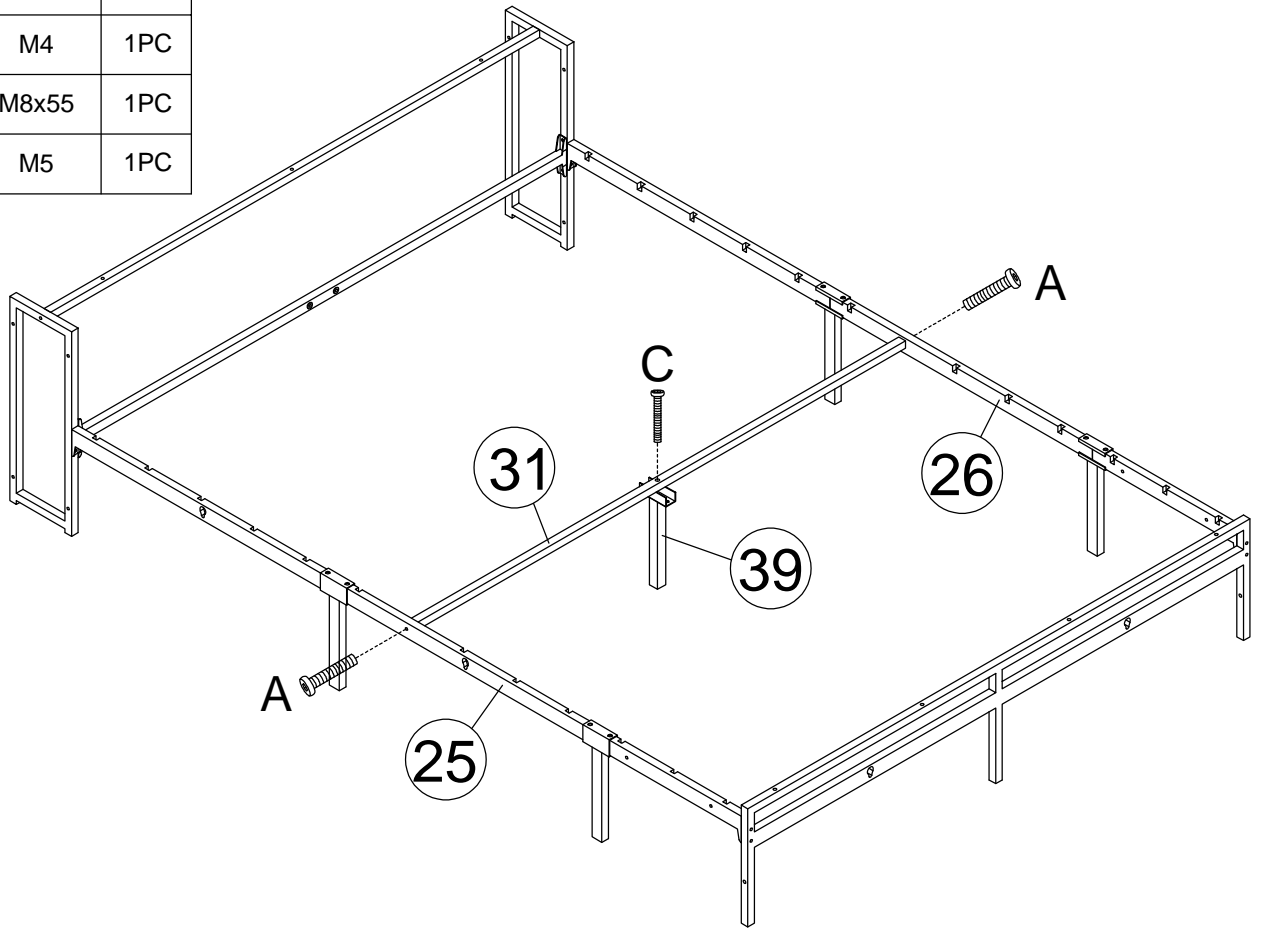
Step 6

A		M6x40	2PCS
D		M6x18	2PCS
E		M6x20	2PCS
S		M4	2PCS






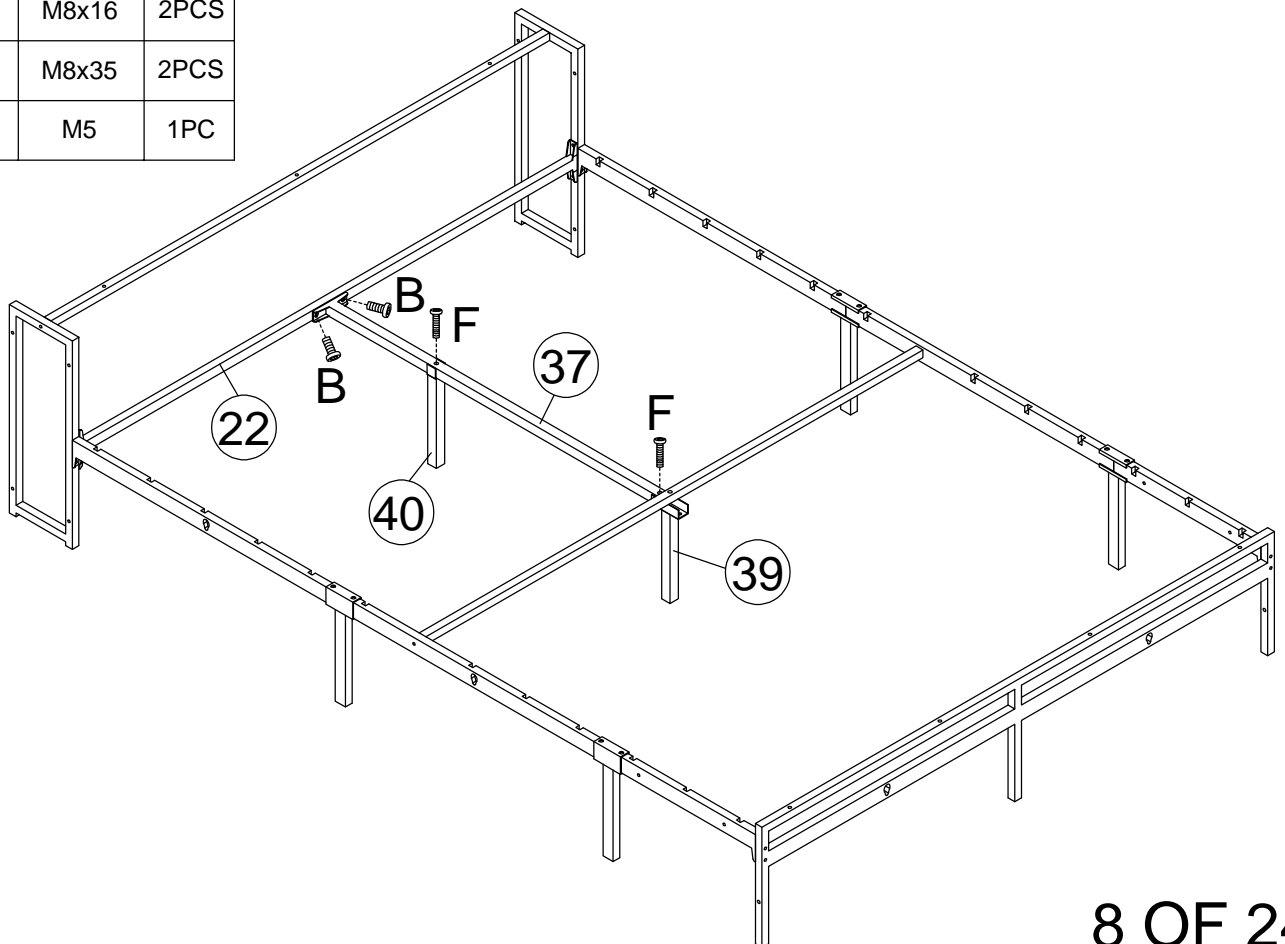
Step 7

A		M6x40	2PCS
S		M4	1PC
C		M8x55	1PC
T		M5	1PC


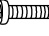



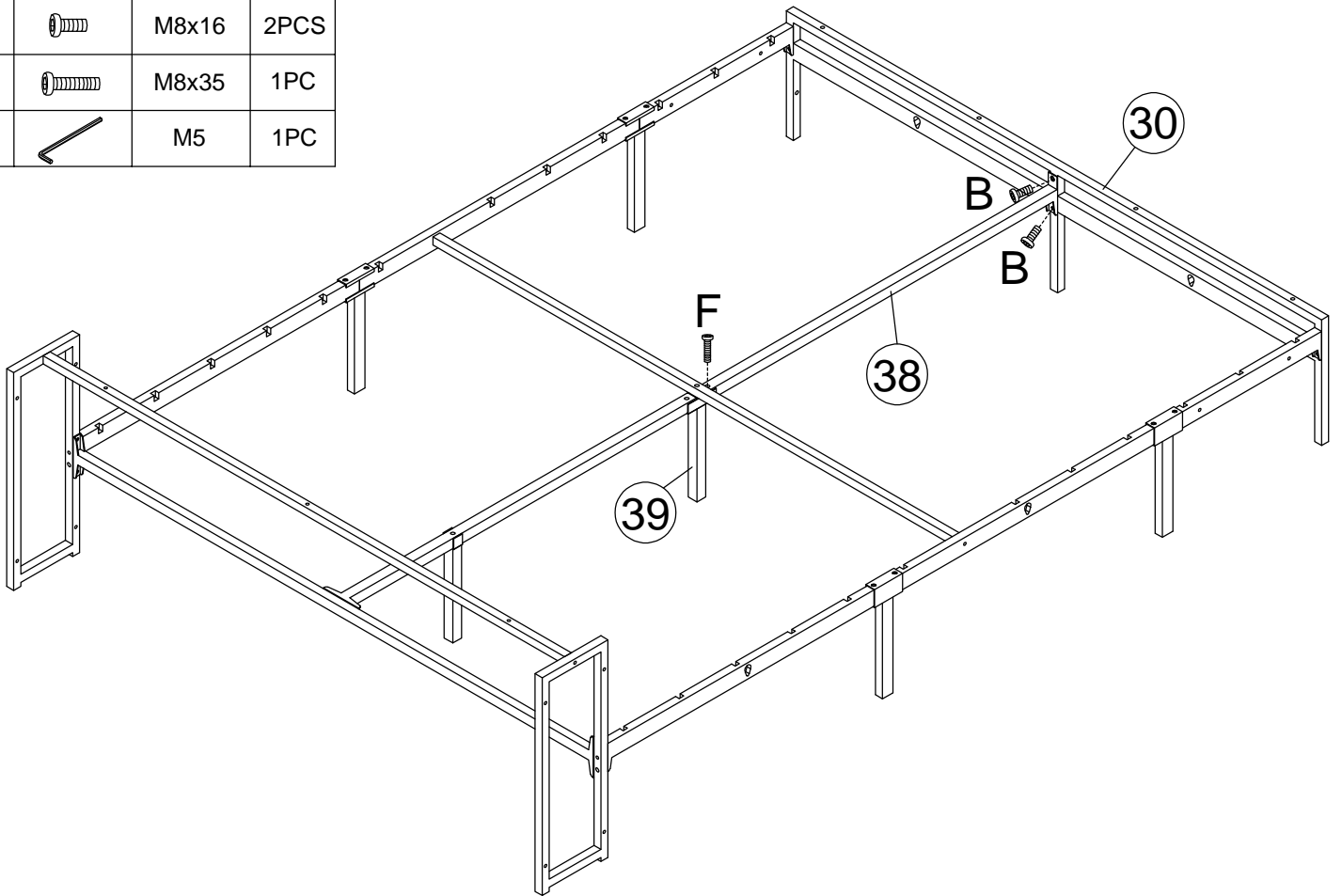
Step 8

B		M8x16	2PCS
F		M8x35	2PCS
T		M5	1PC

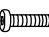



Step 9

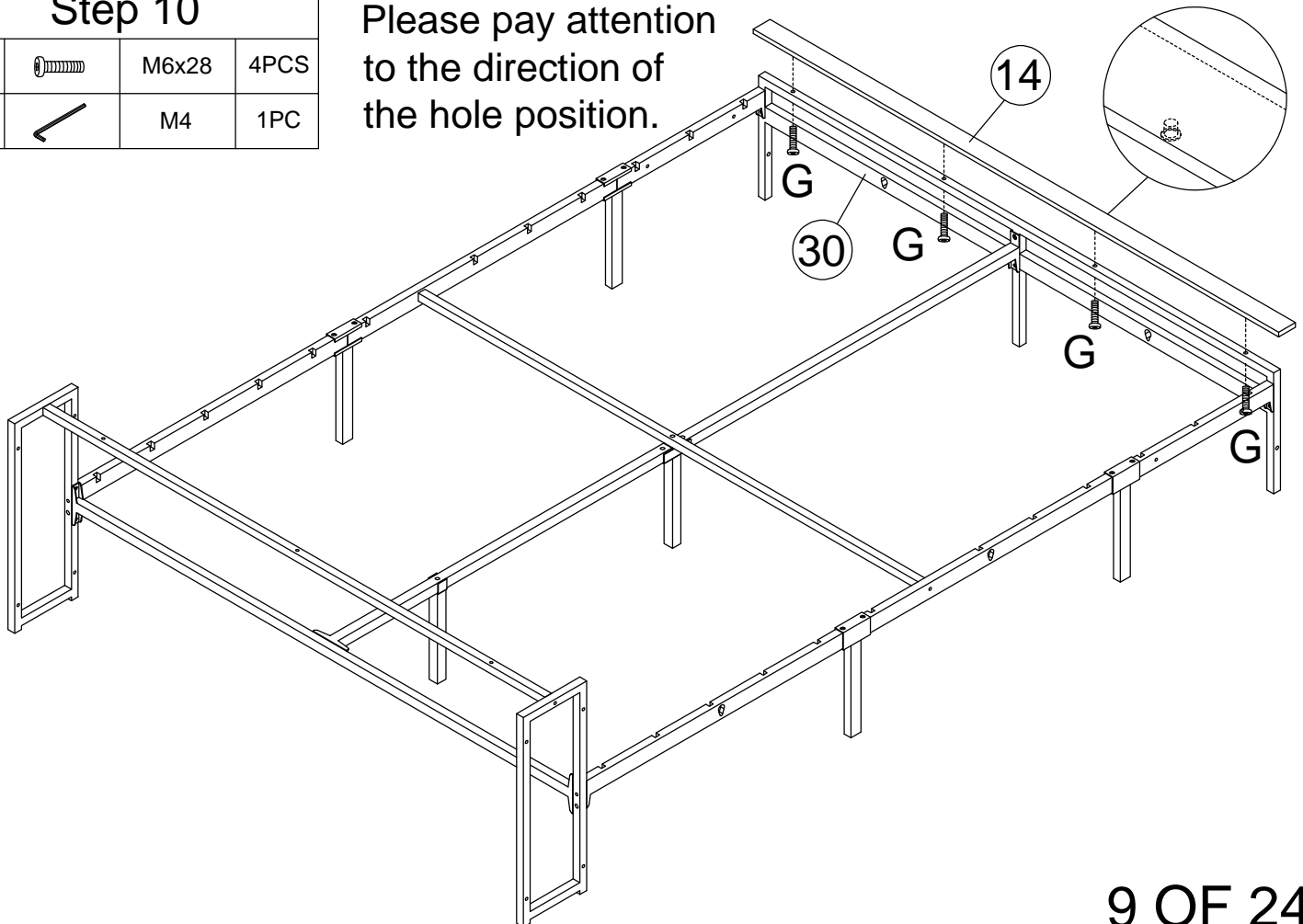
B		M8x16	2PCS
F		M8x35	1PC
T		M5	1PC



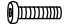

Step 10

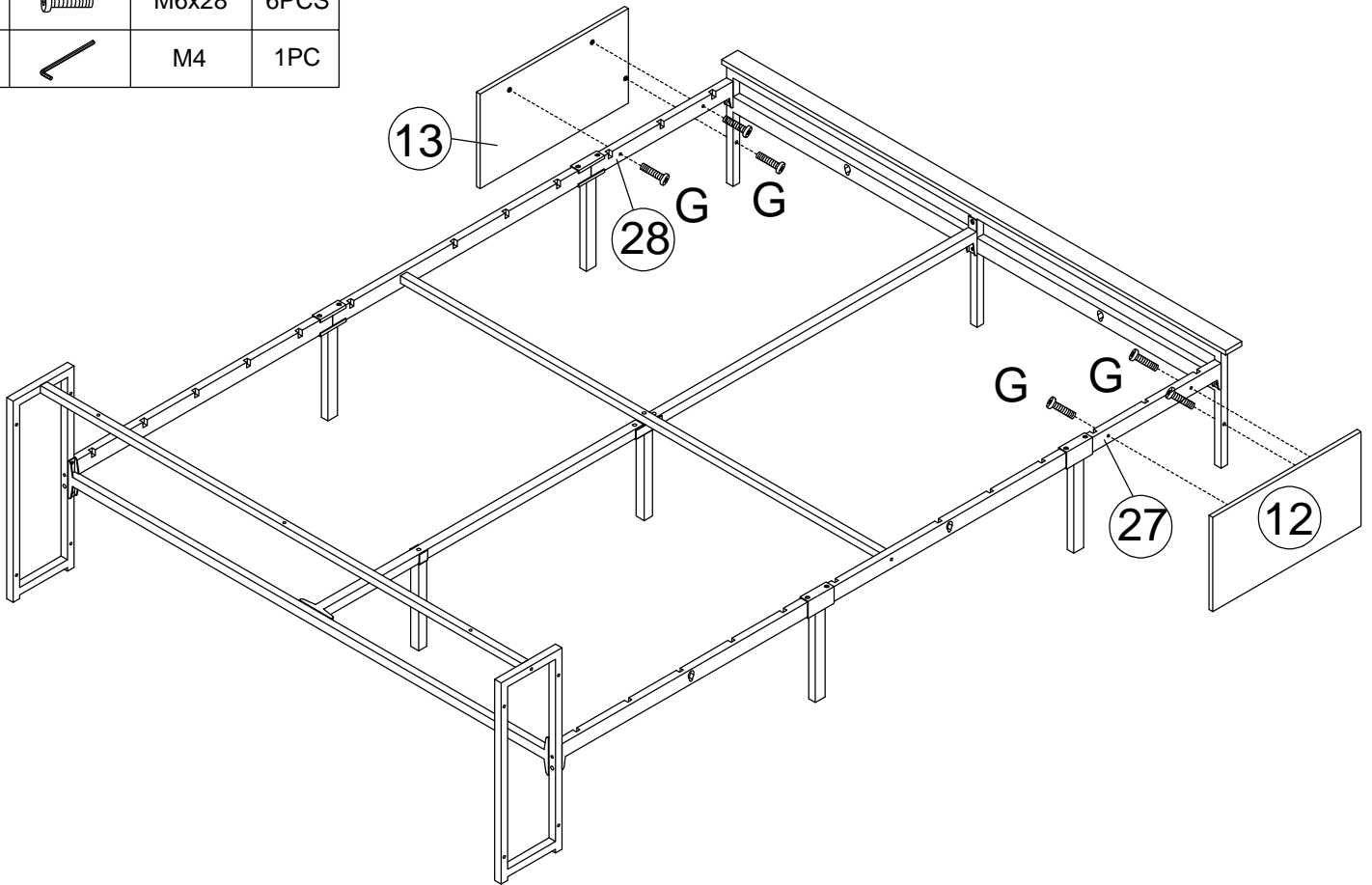
G		M6x28	4PCS
S		M4	1PC

Please pay attention to the direction of the hole position.





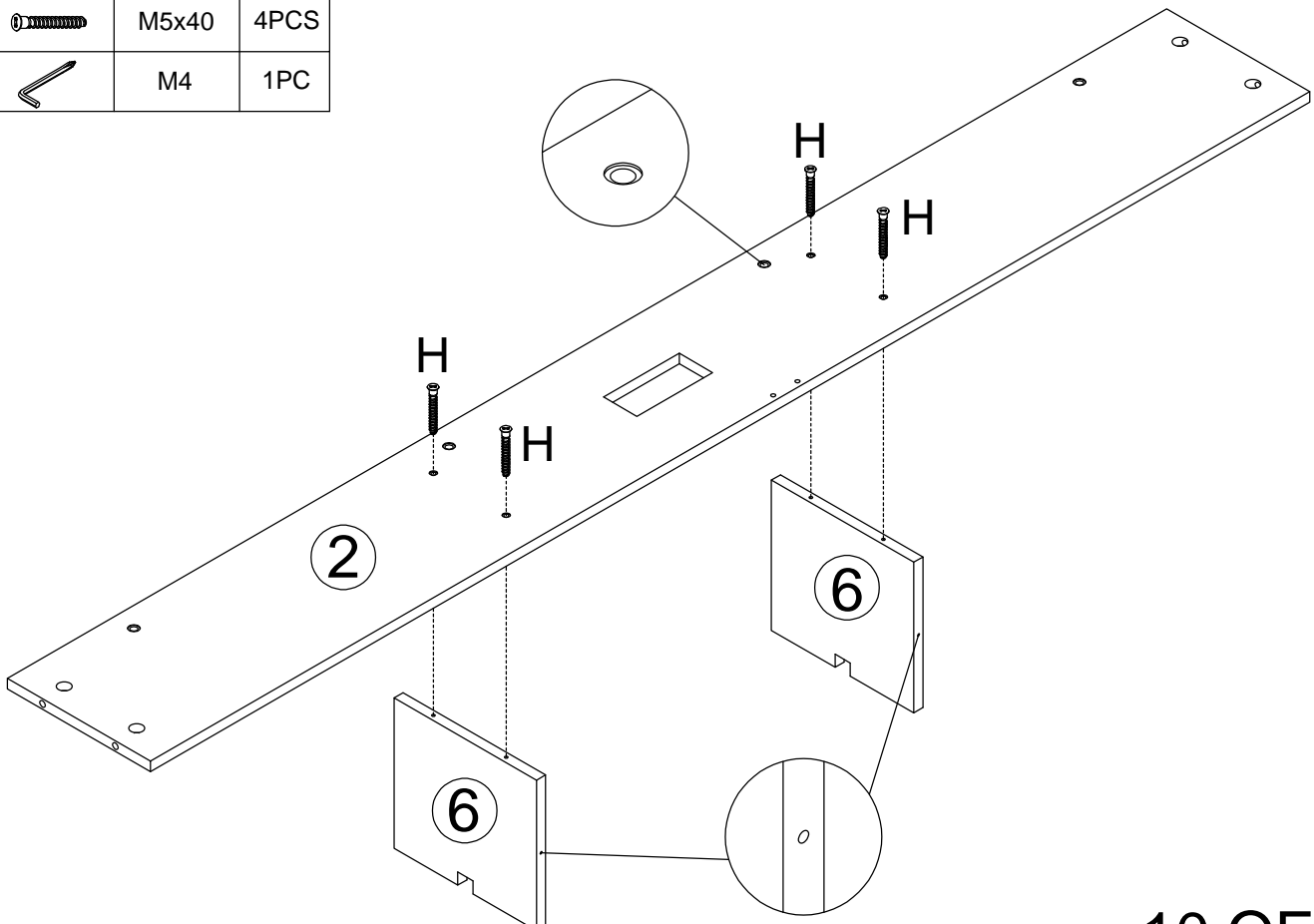
Step 11

G		M6x28	6PCS
S		M4	1PC

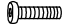



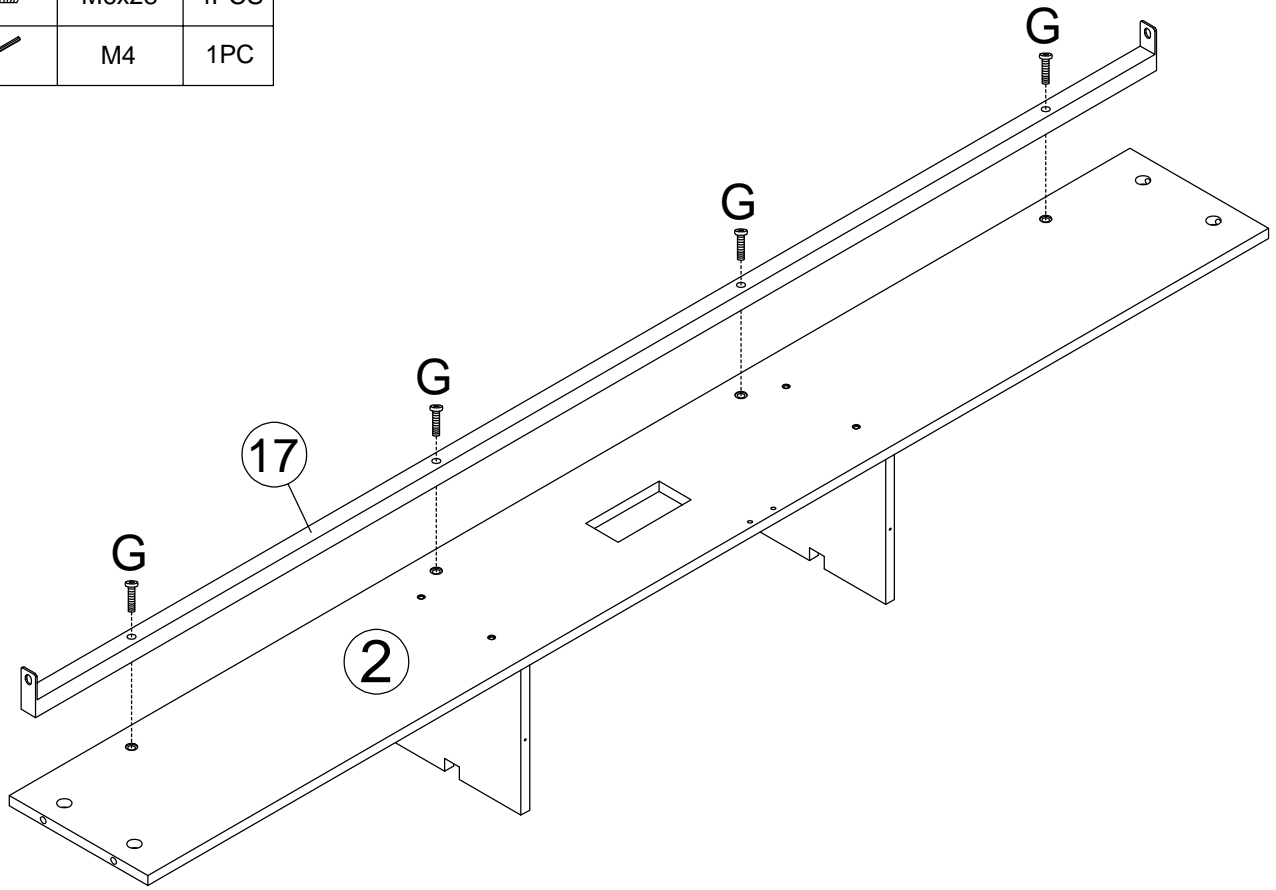
Step 12

H		M5x40	4PCS
V		M4	1PC



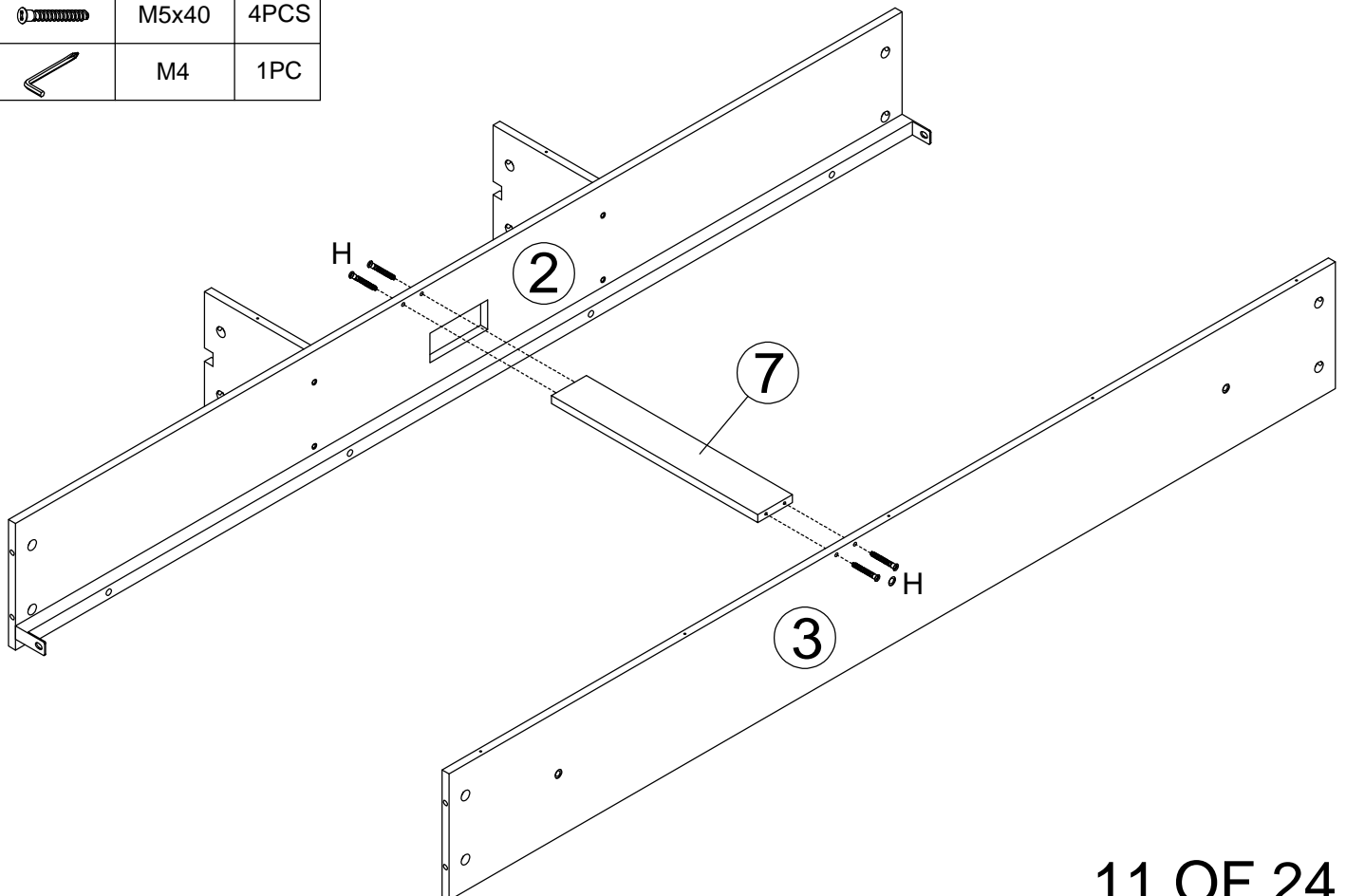
Step 13

G		M6x28	4PCS
S		M4	1PC

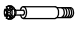



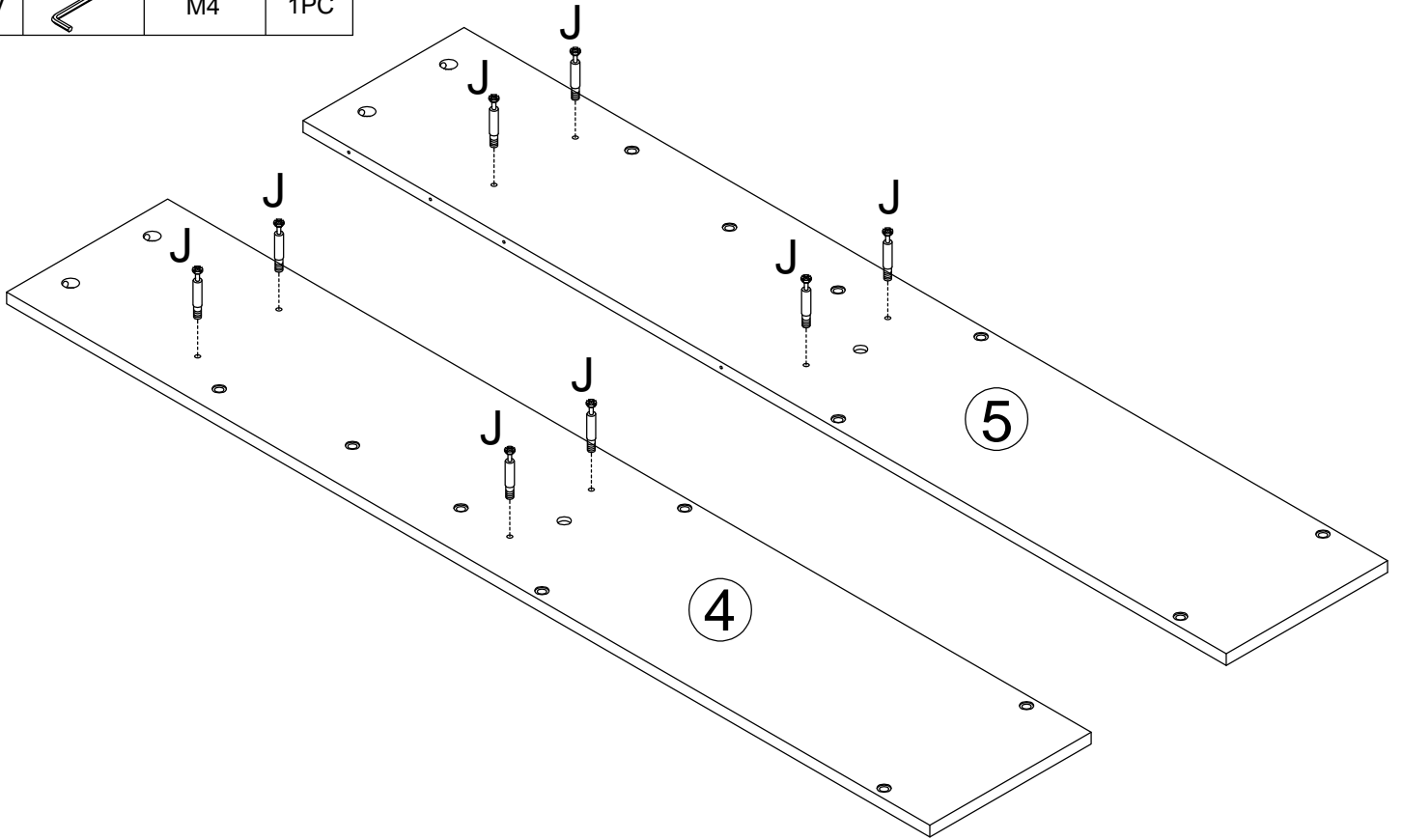
Step 14

H		M5x40	4PCS
V		M4	1PC


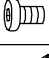



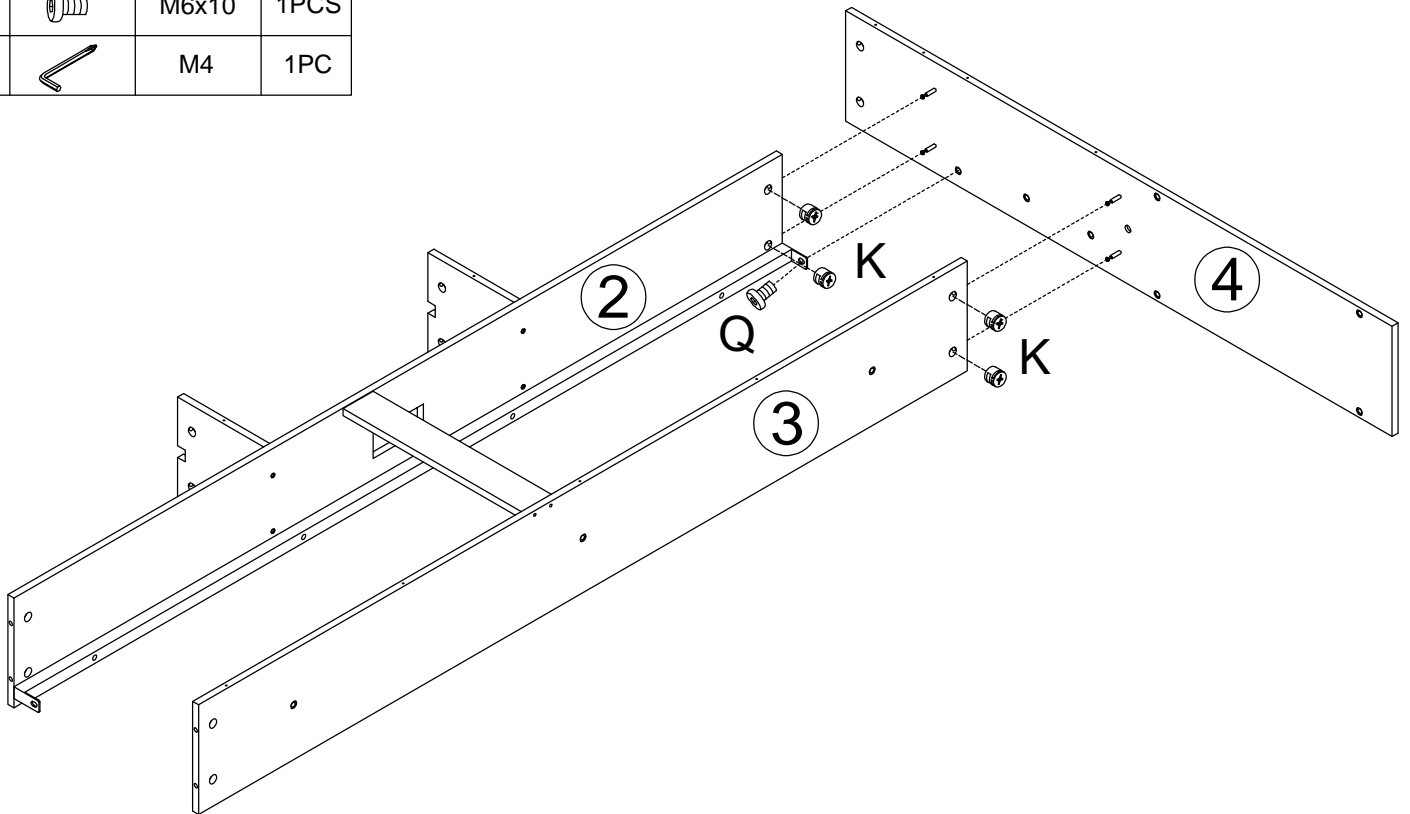
Step 15

J			8PCS
V		M4	1PC

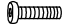



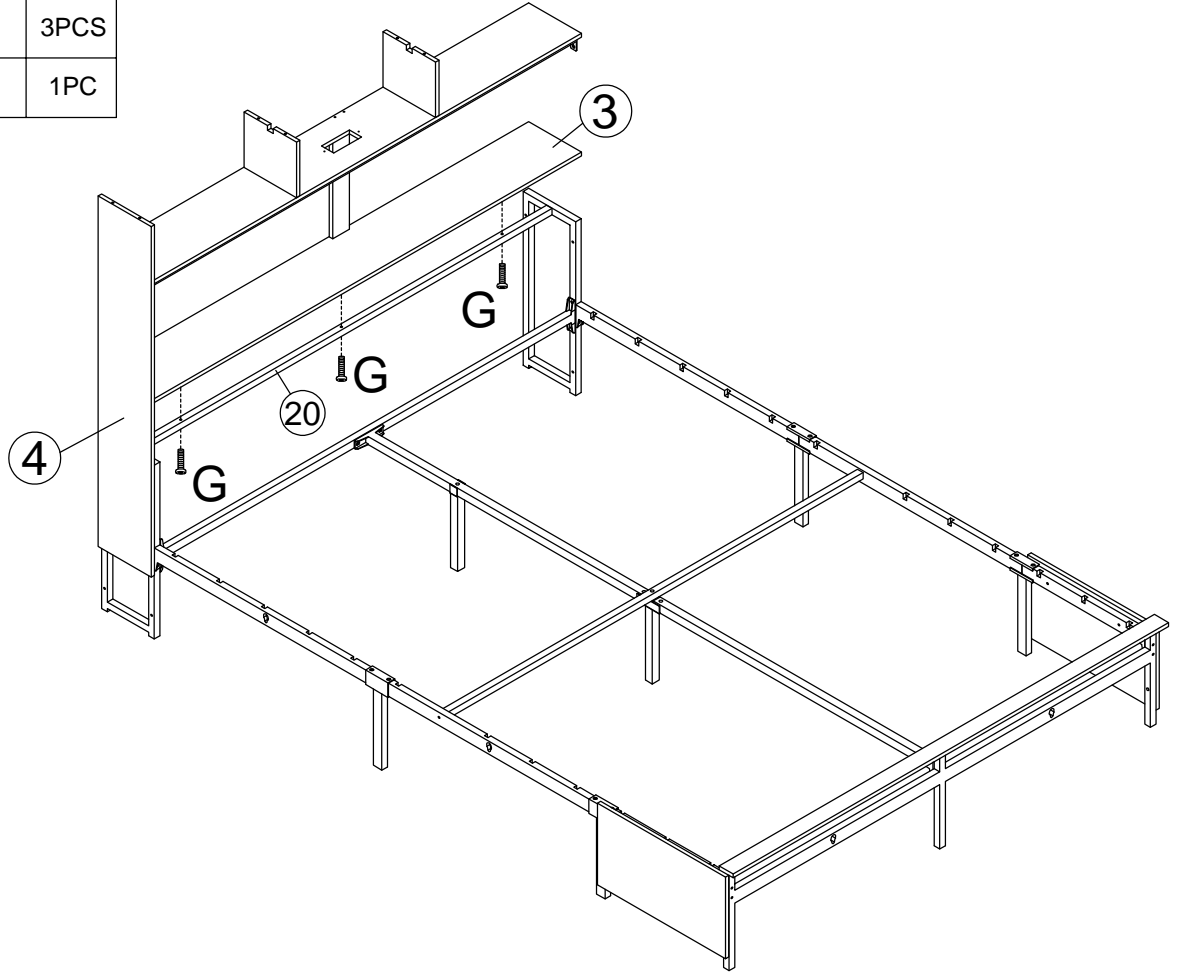
Step 16

K			4PCS
Q		M6x10	1PCS
V		M4	1PC






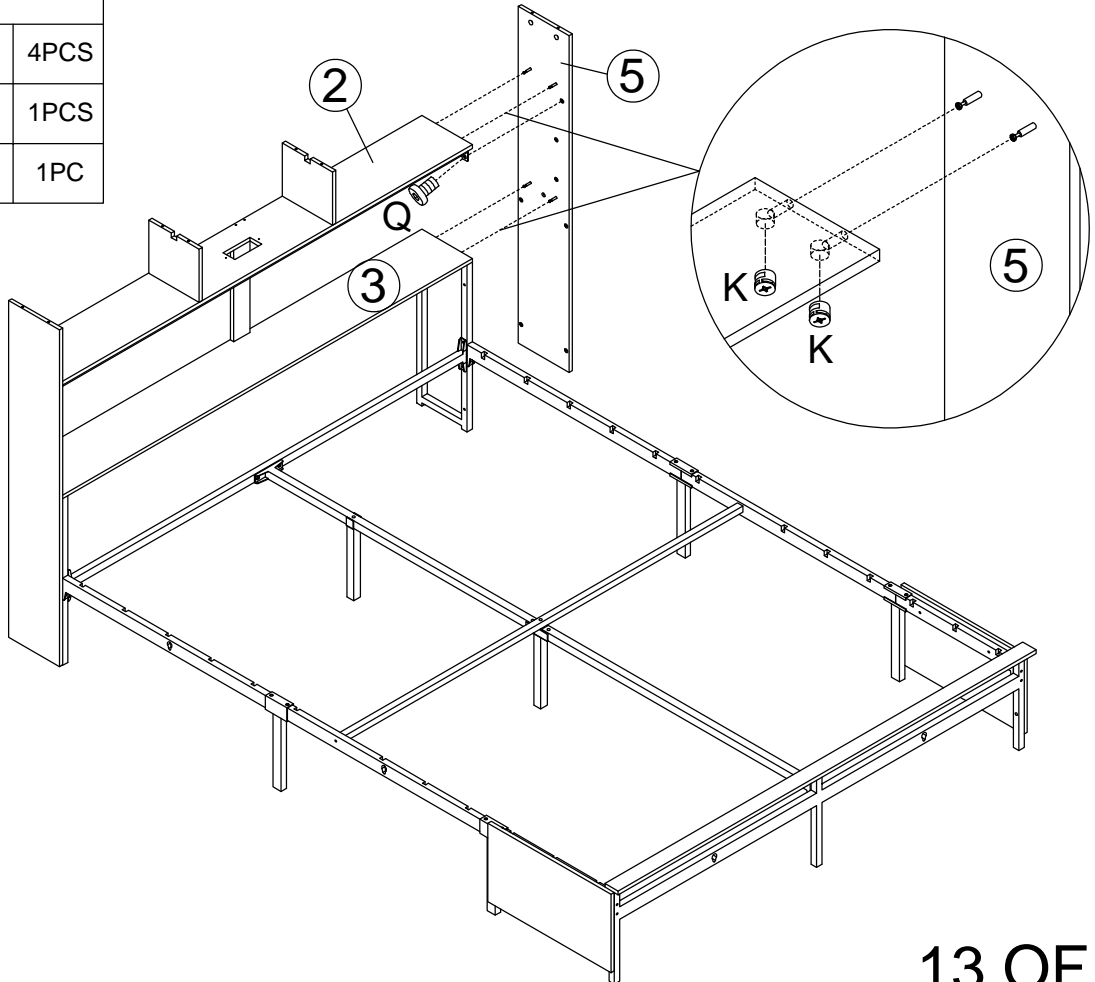
Step 17

G		M6x28	3PCS
S		M4	1PC

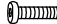



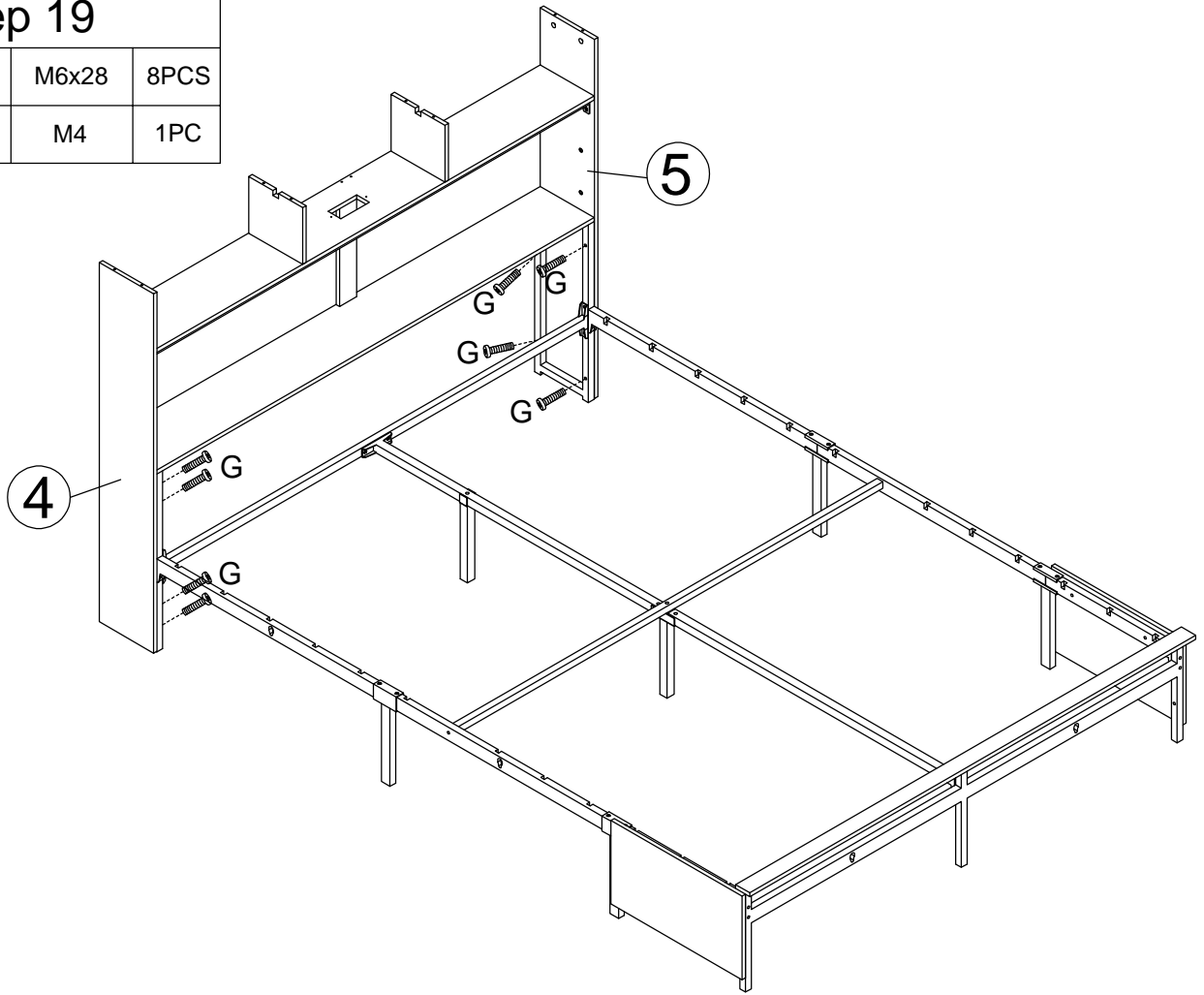
Step 18

K			4PCS
Q		M6x10	1PCS
V		M4	1PC


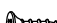



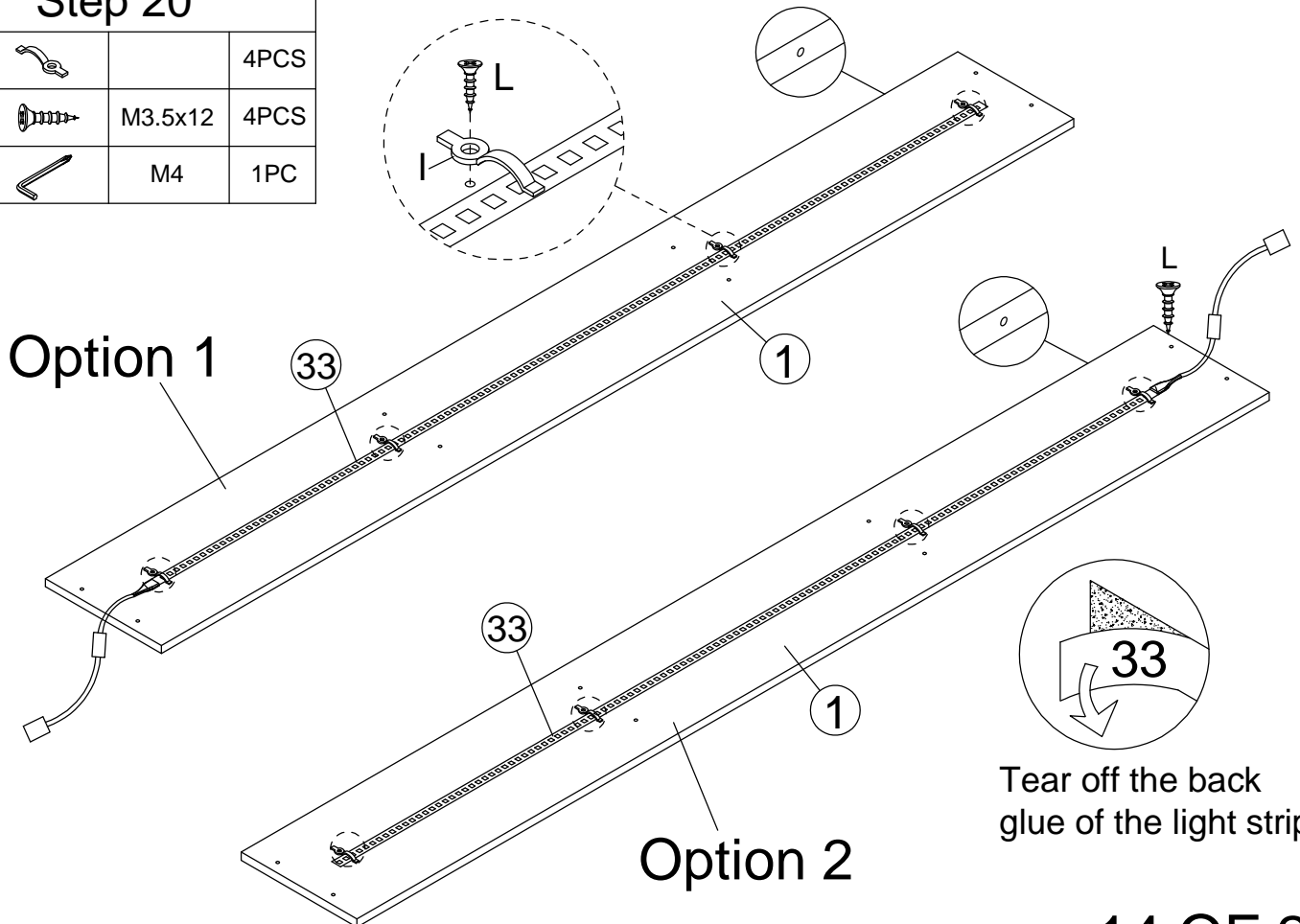
Step 19

G		M6x28	8PCS
S		M4	1PC

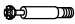



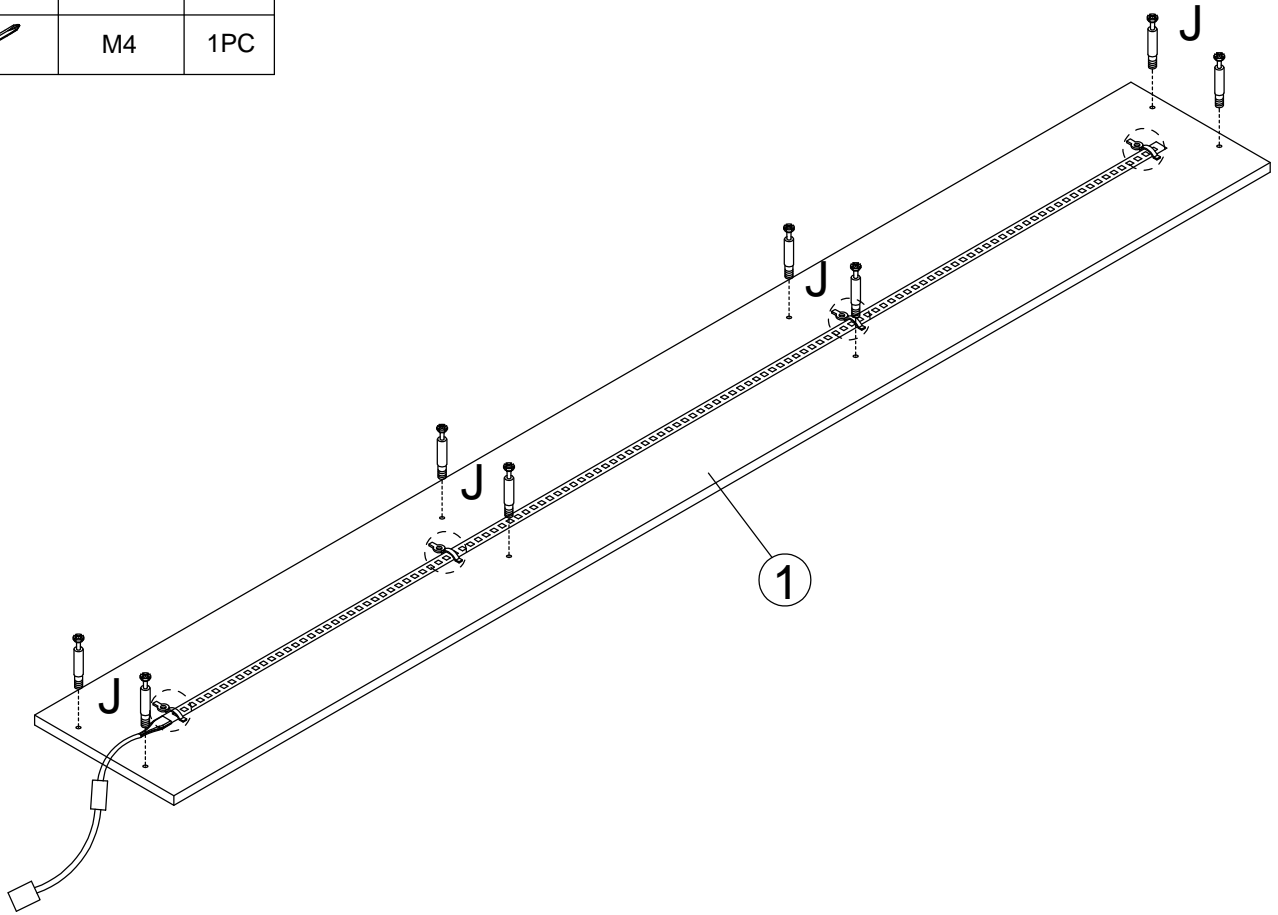
Step 20

I			4PCS
L		M3.5x12	4PCS
V		M4	1PC






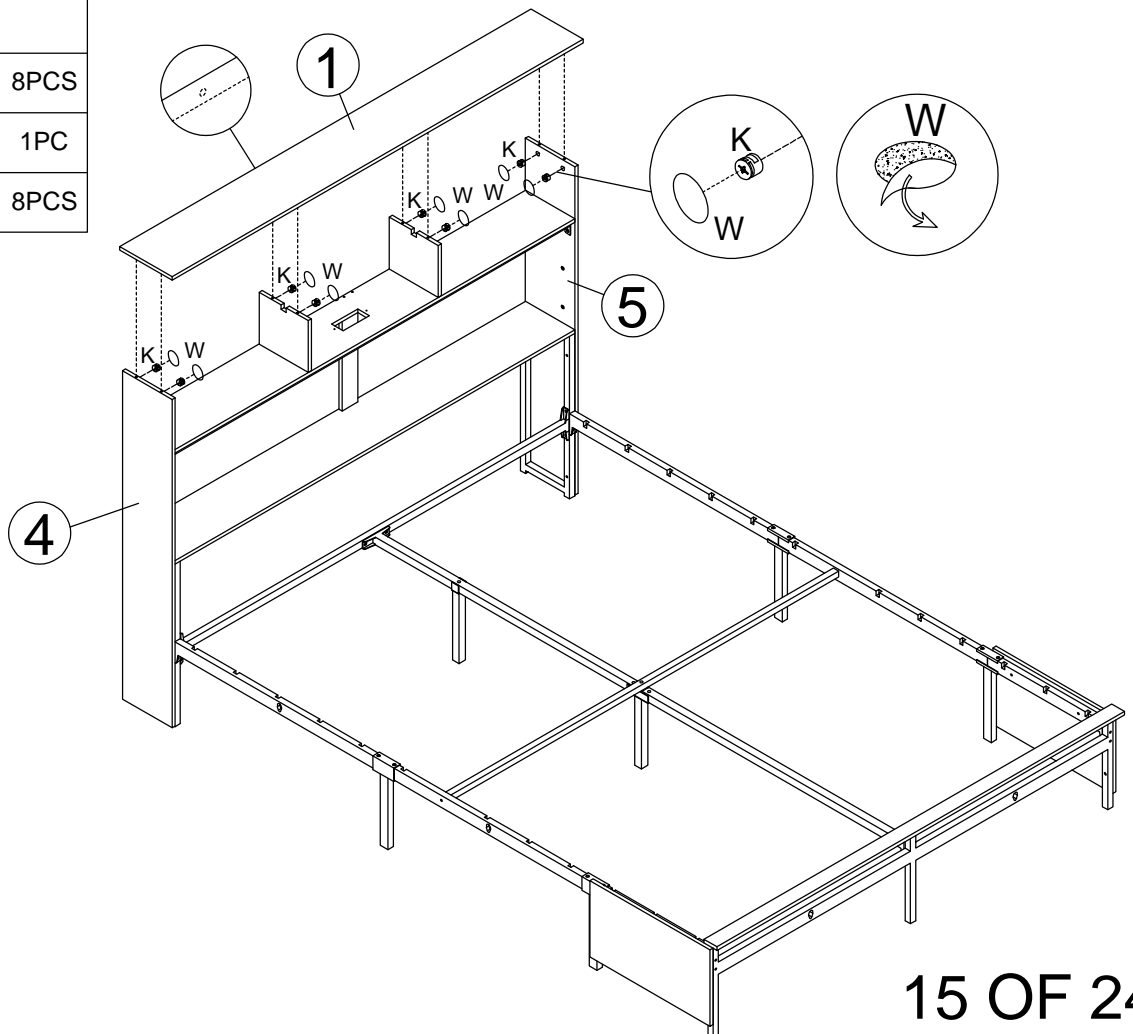
Step 21

J			8PCS
V		M4	1PC

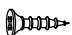



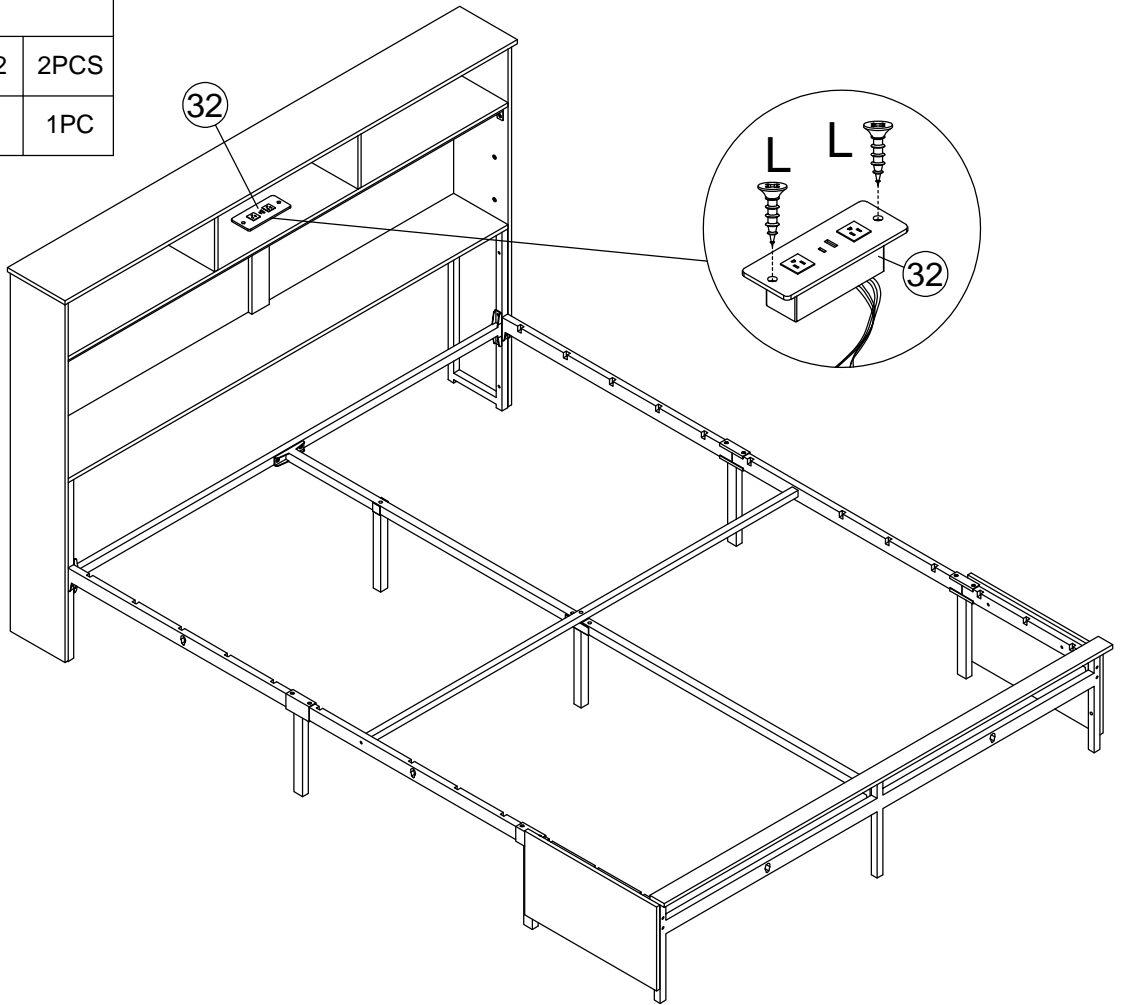
Step 22

K			8PCS
V		M4	1PC
W			8PCS

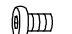



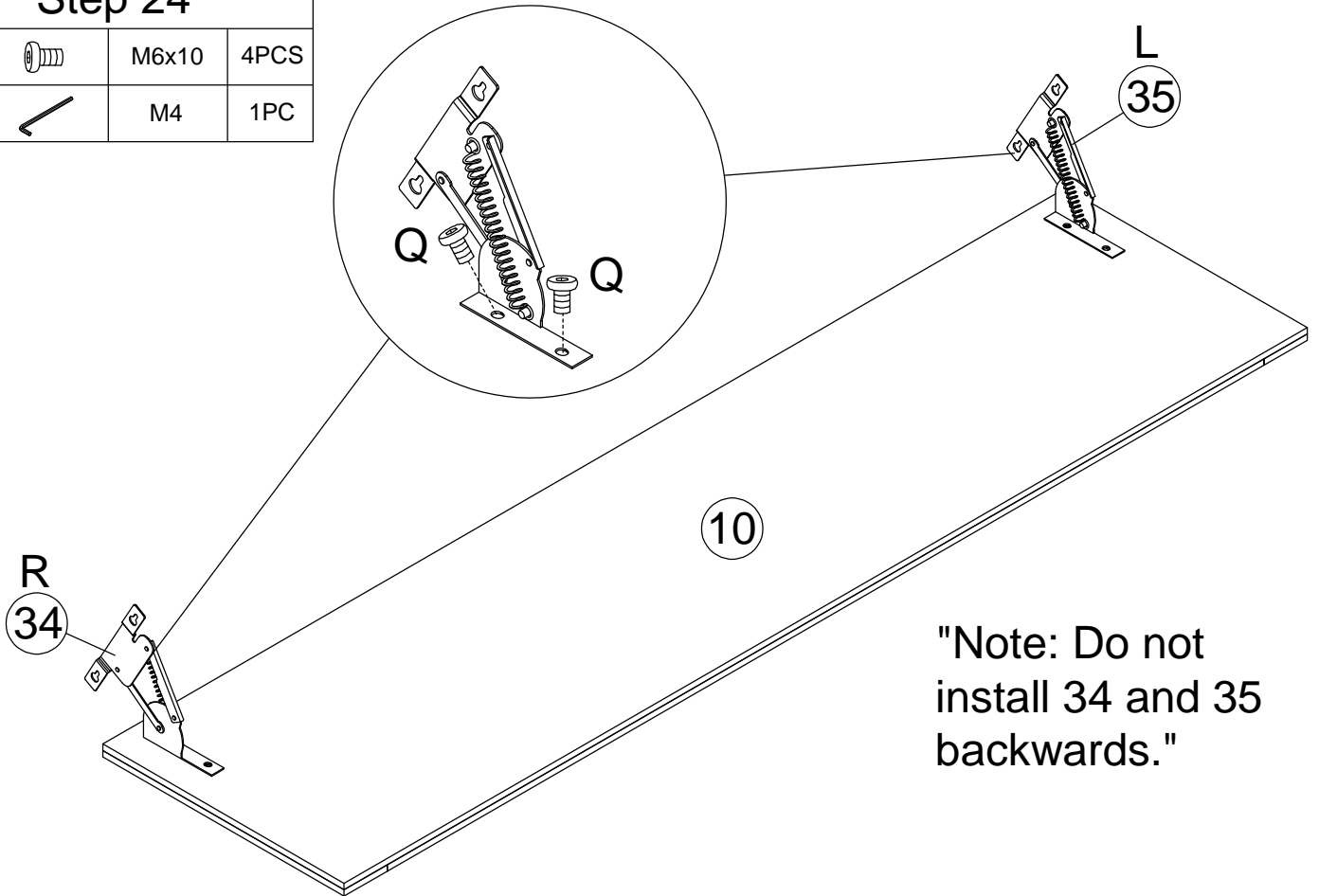
Step 23

L		M3.5x12	2PCS
V		M4	1PC





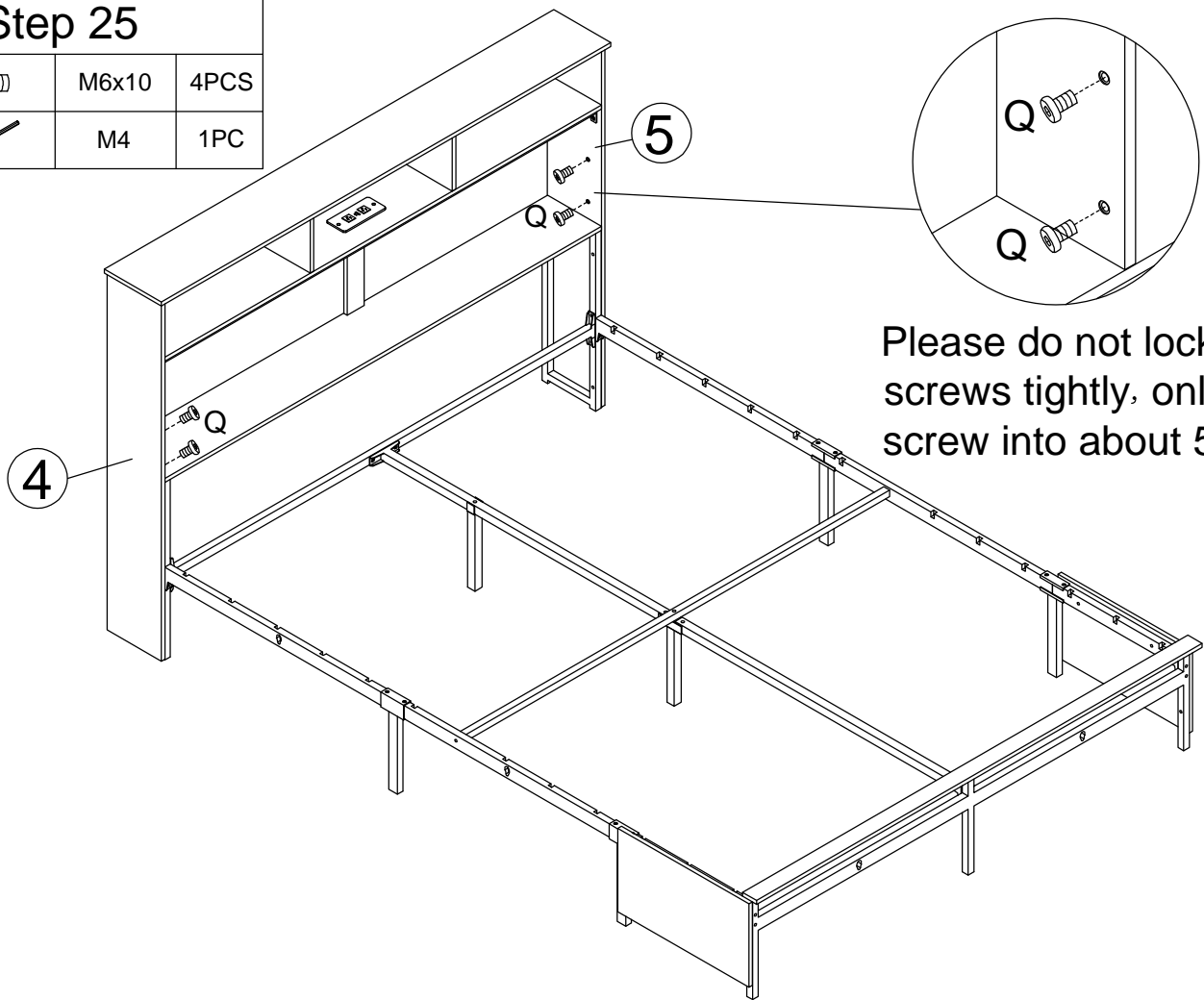
Step 24

Q		M6x10	4PCS
S		M4	1PC

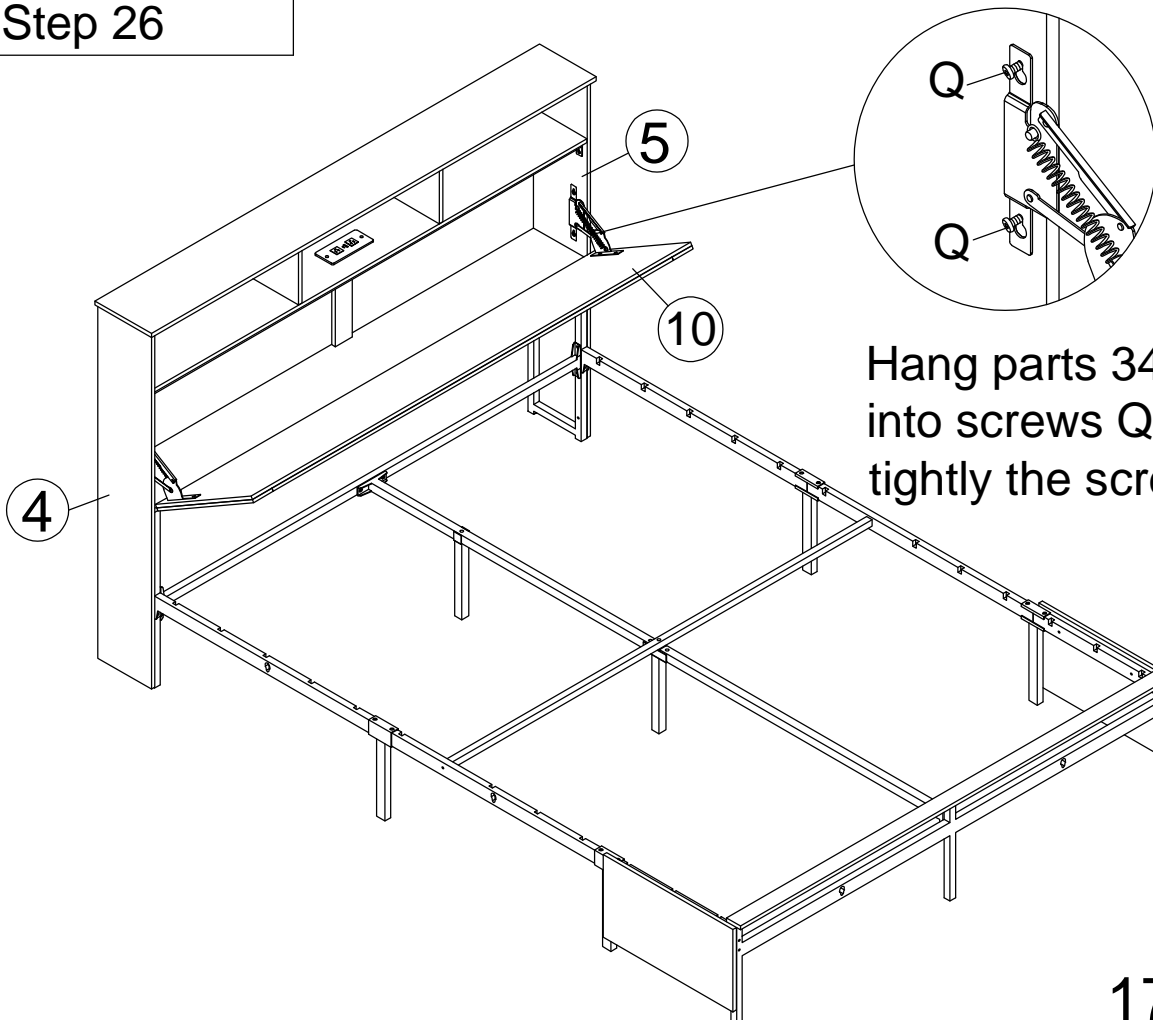


Step 25



Q		M6x10	4PCS
S		M4	1PC

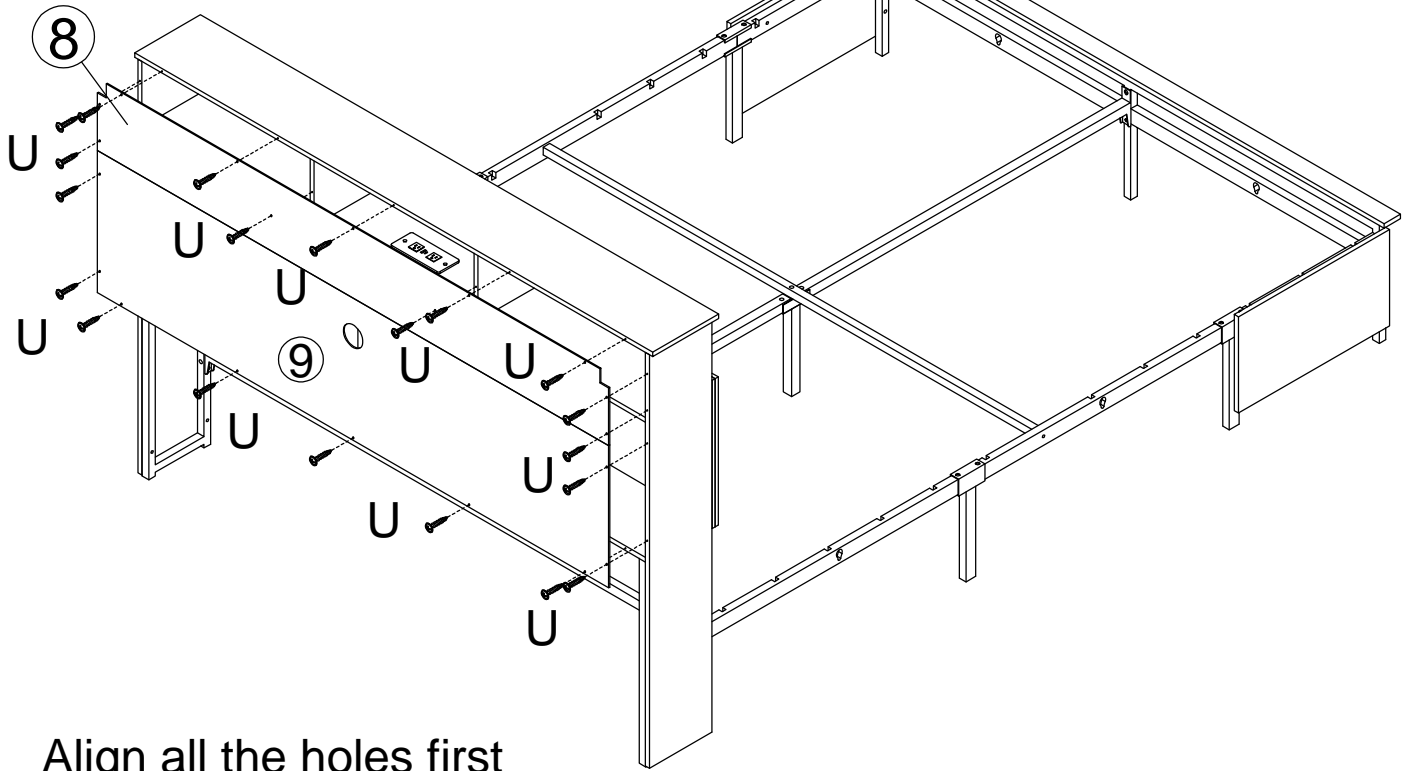


Step 26

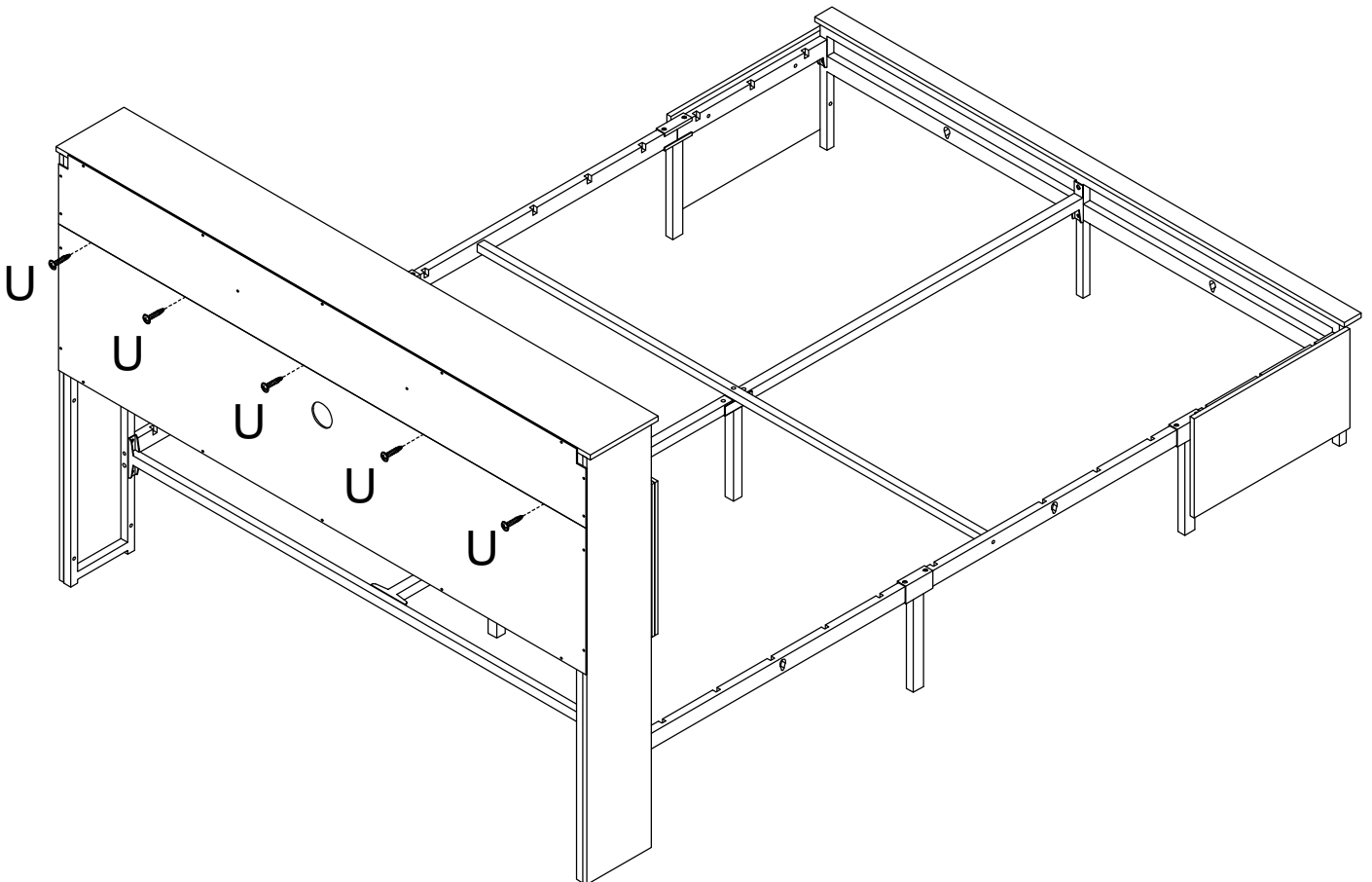


Step 27

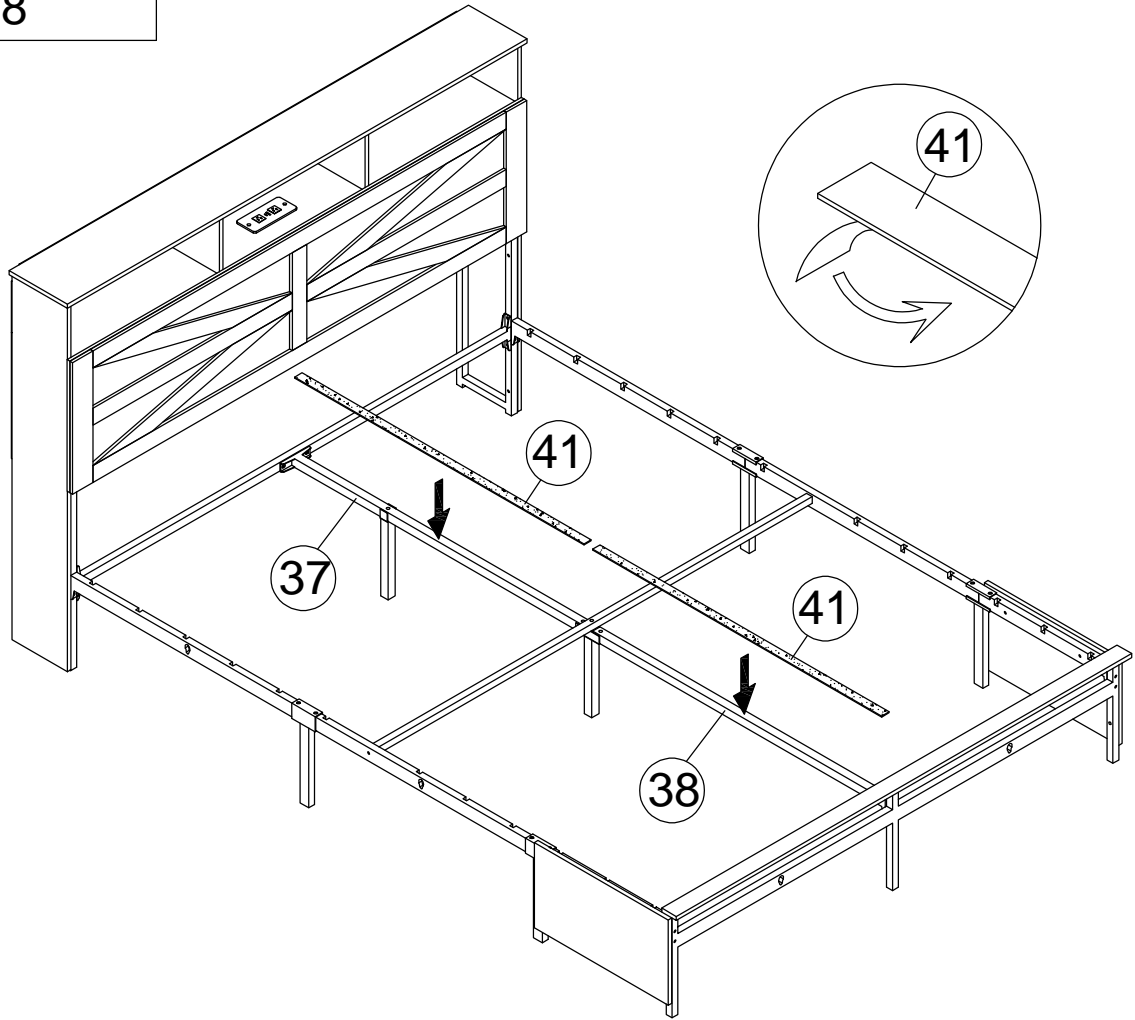
U		M3.5x12	26PCS
V		M4	1PC



Align all the holes first
and then tighten all the
screws.



Step 28

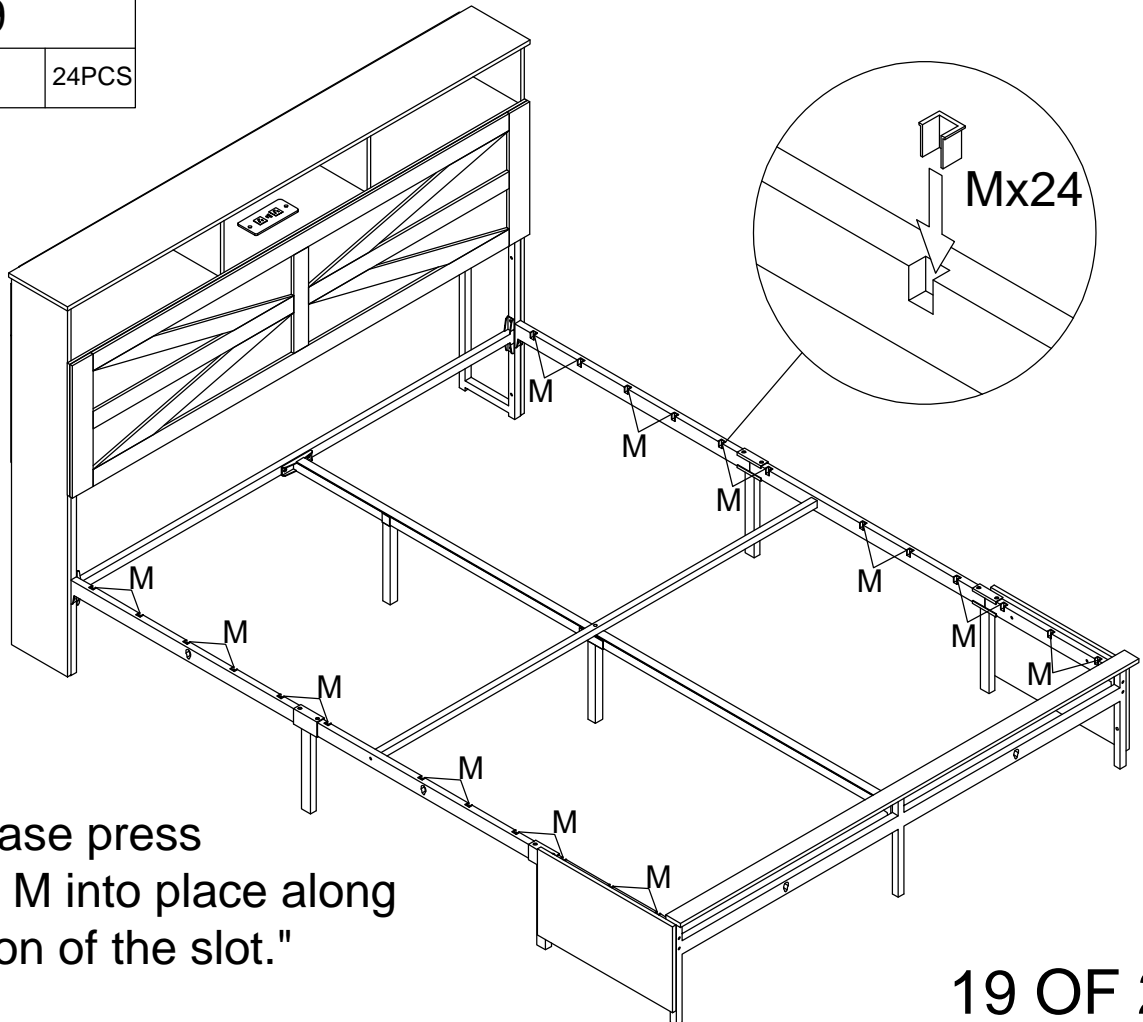


Step 29

M

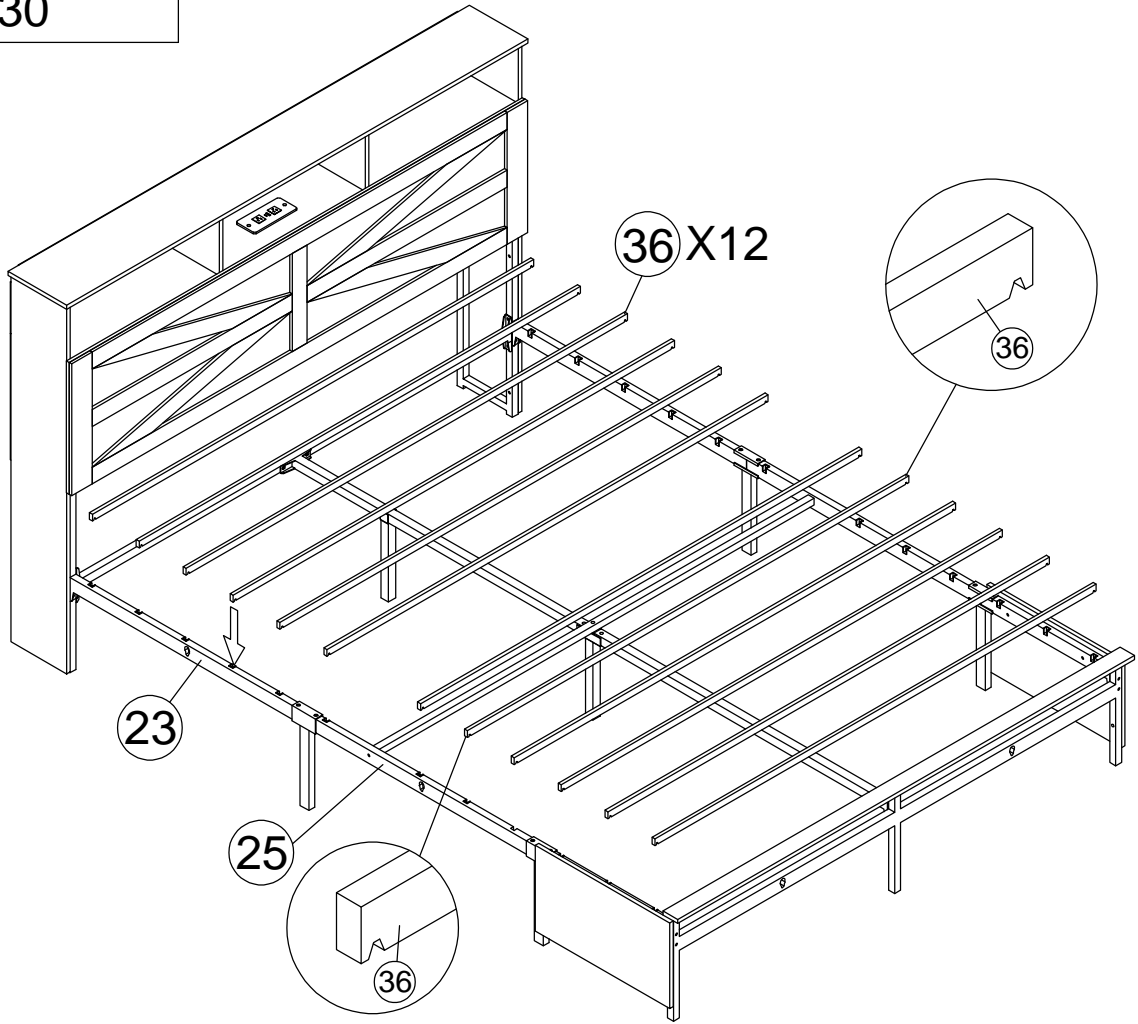


24PCS



"Note: Please press accessory M into place along the direction of the slot."

Step 30

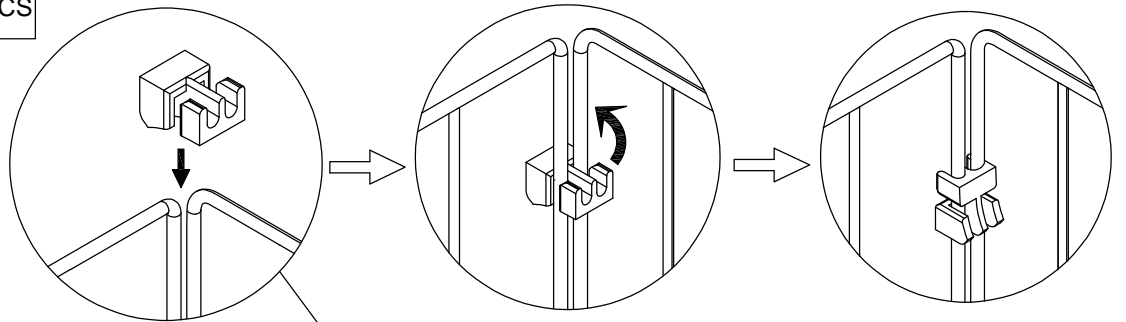


Step 31

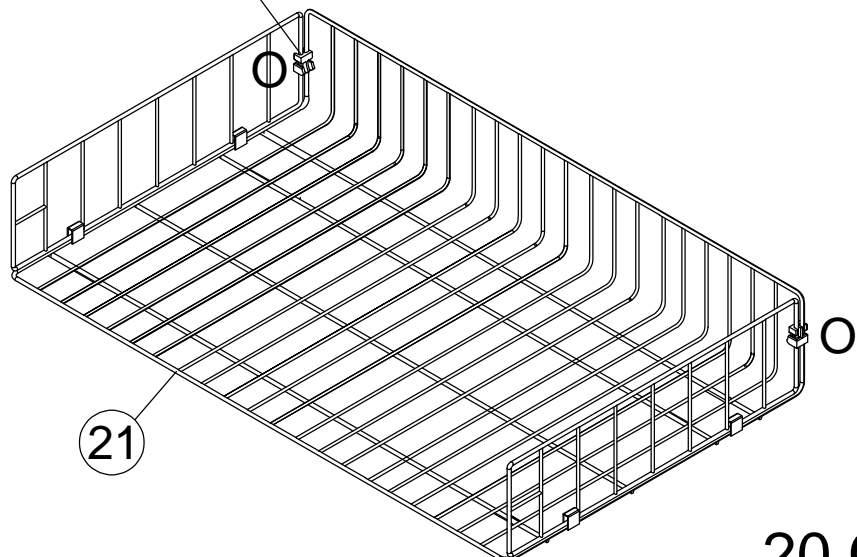
O



12PCS



X6



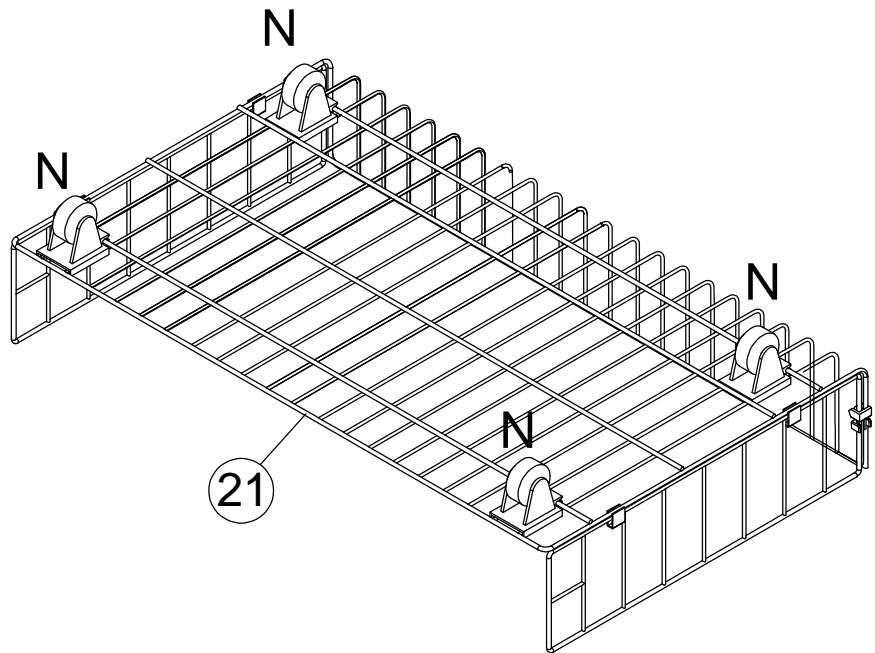
Step 32

N

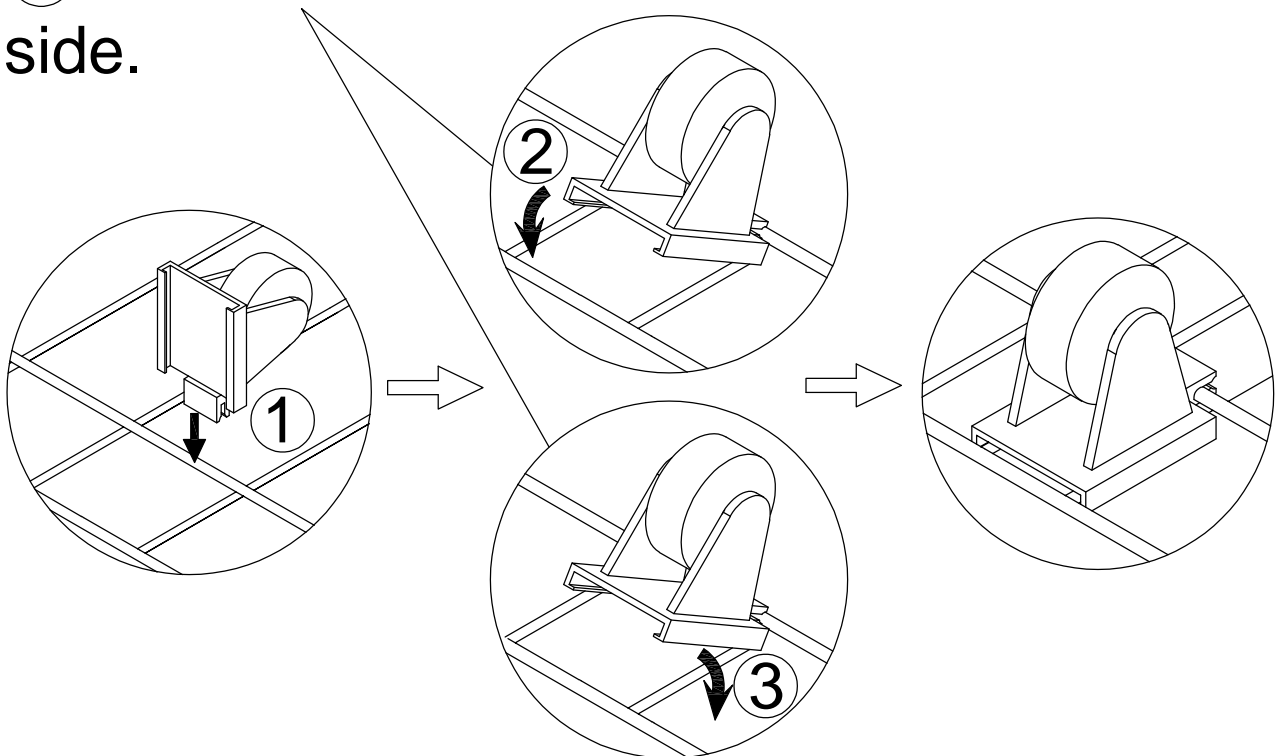


24PCS

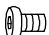



X6

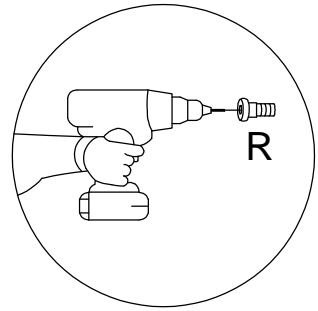
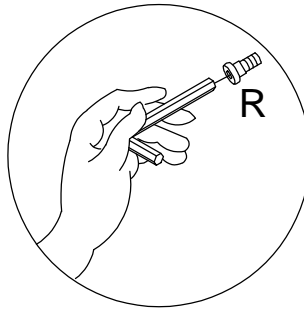
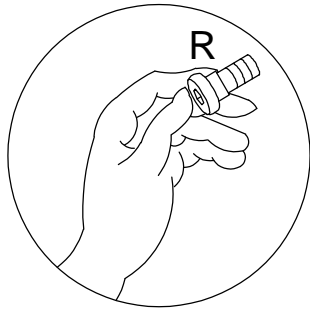
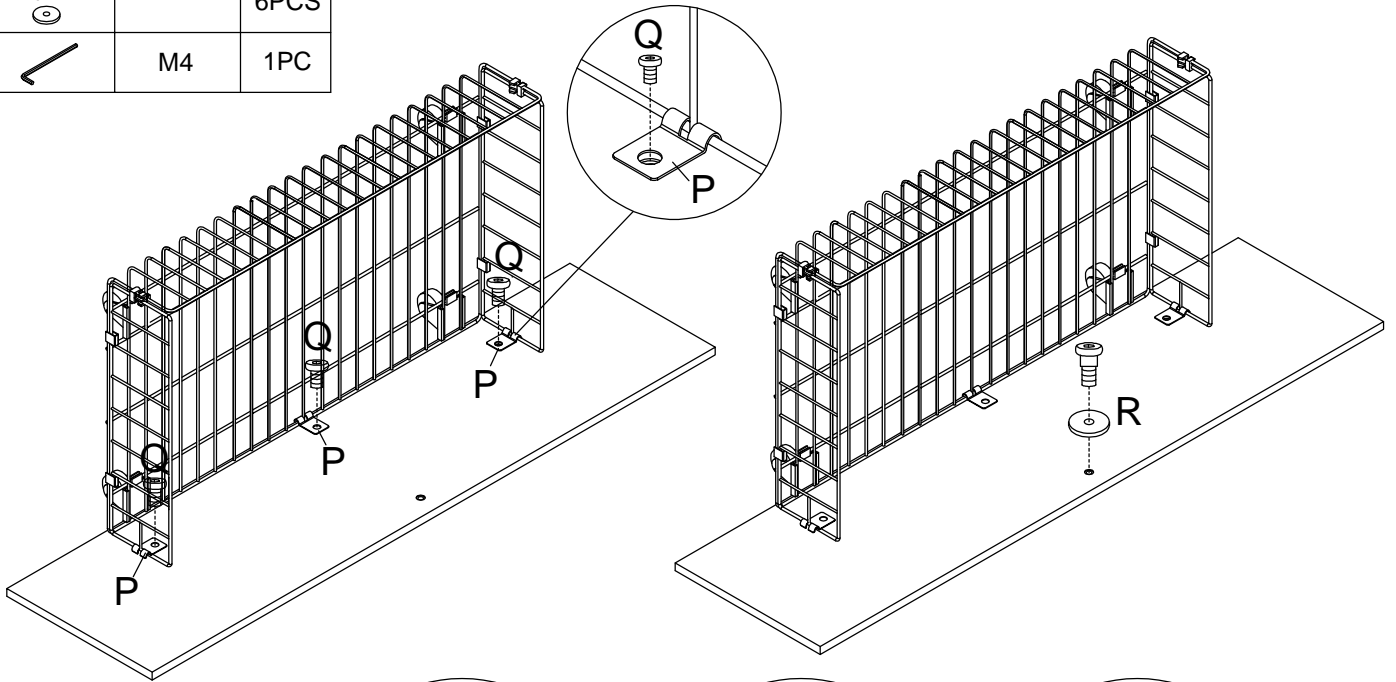


Attention: ② make sure plastic slot stuck into one side of the tube firstly, and ③ then to stuck into another side.

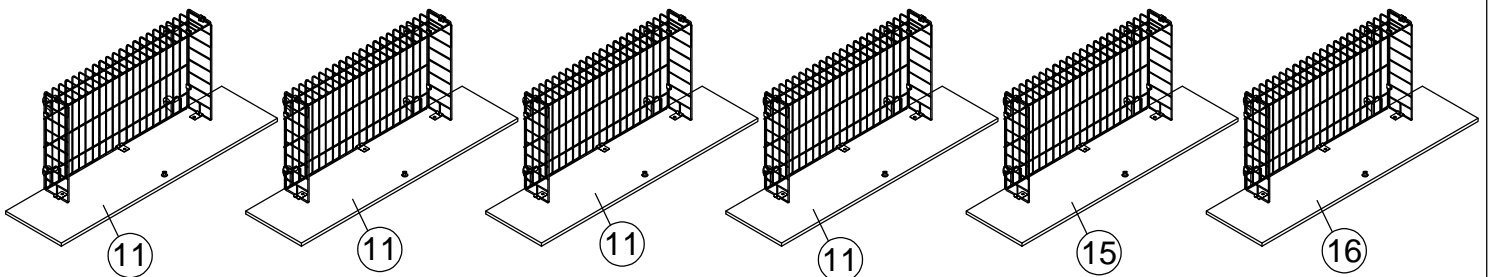
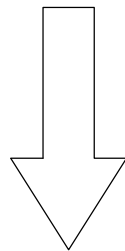


Step 33

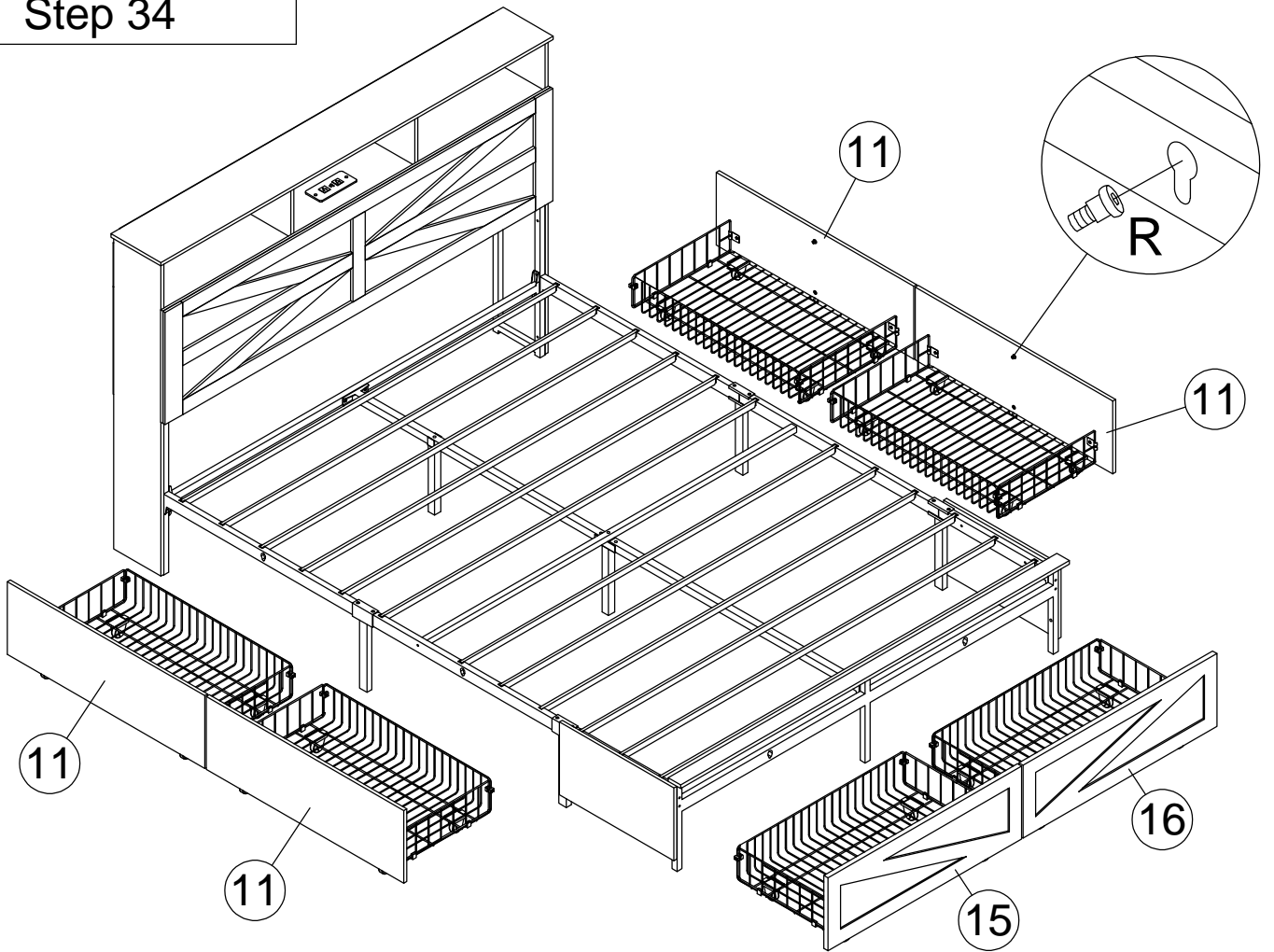
Q		M6x10	18PCS
P			18PCS
R			6PCS
S		M4	1PC



Note: Please don't fully tighten R screws to the board.

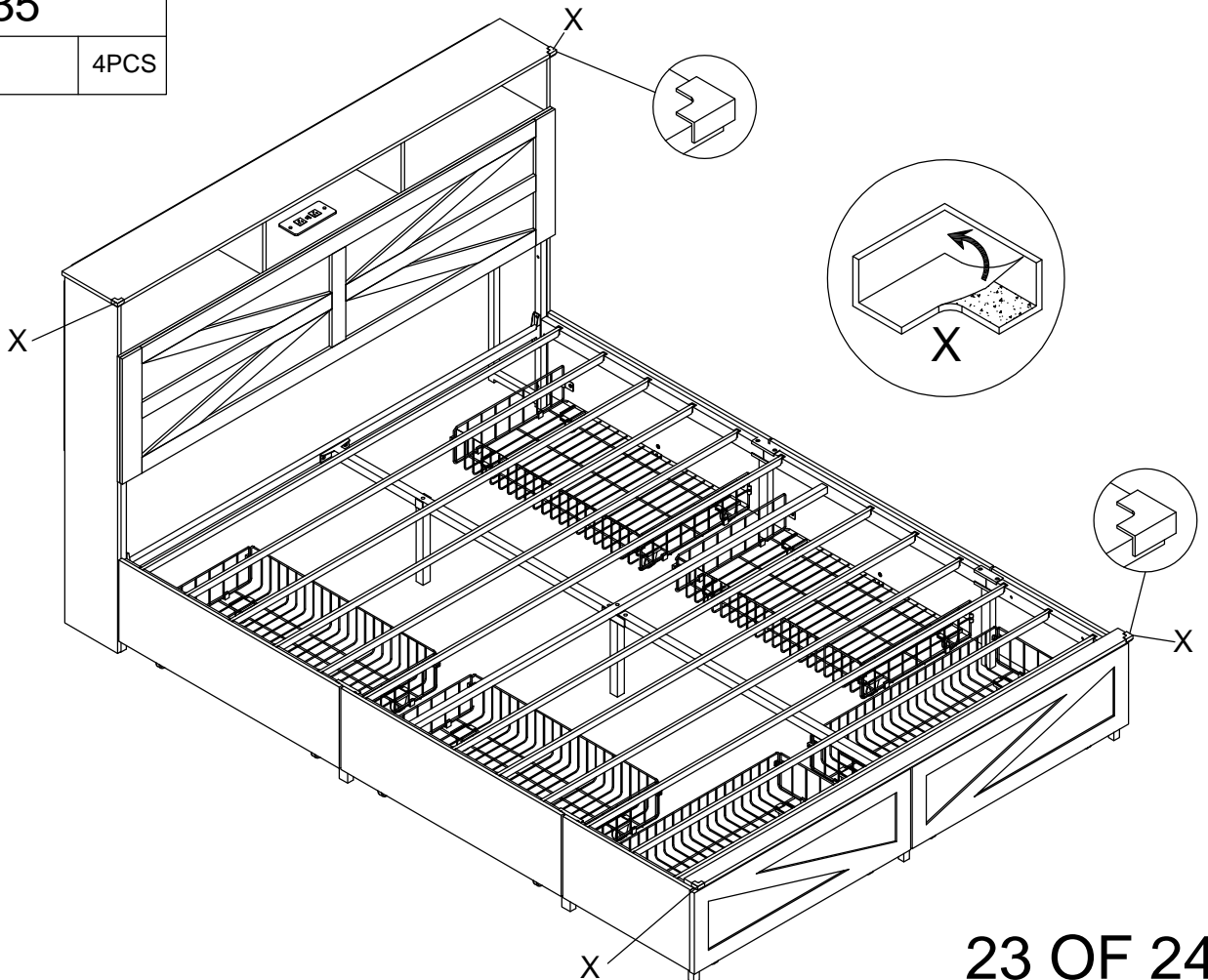


Step 34



Step 35

X		4PCS
---	---	------



Step 36

