




# ASSEMBLY INSTRUCTION

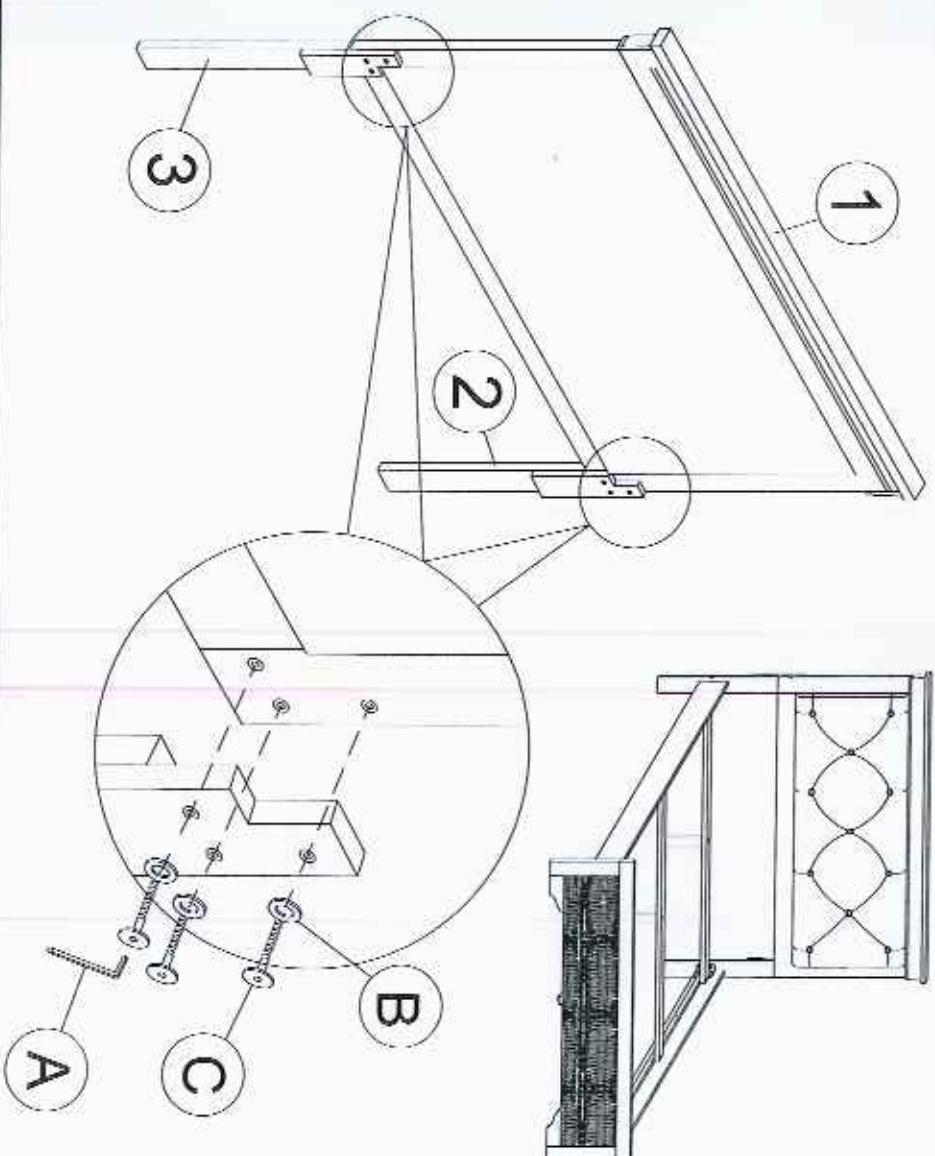
## NEW LP G6500-FB2

Thank you for purchasing this quality product. Be sure to check all packing material carefully for small parts which may have come loose inside the carton during the shipment. Count all parts and metal hardware, compare the parts list below to be sure all parts are present.

NOTE : HARDWARE AND QUANTITY SHOWN BELOW ARE FOR 1 UNIT ASSEMBLY

NO	HARDWARE DESCRIPTION	QTY
A.	Allen Key 	1PC
B.	Flat Washer 	6PCS
C.	JCBC Bolt M6 x 35mm 	6PCS
SCREW DRIVER NOT PROVIDE !!!		

NO	PART LIST	QTY
1.	HEADBOARD	1PC
2.	HB-LEG-R	1PC
3.	HB-LEG-L	1PC



# ASSEMBLY INSTRUCTION

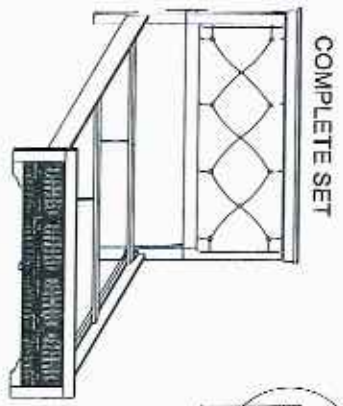
## NEW LP G6500-FB2

Before you begin, please read Assembly Instruction carefully and recognized the part and hardware. Then follow them step by step.

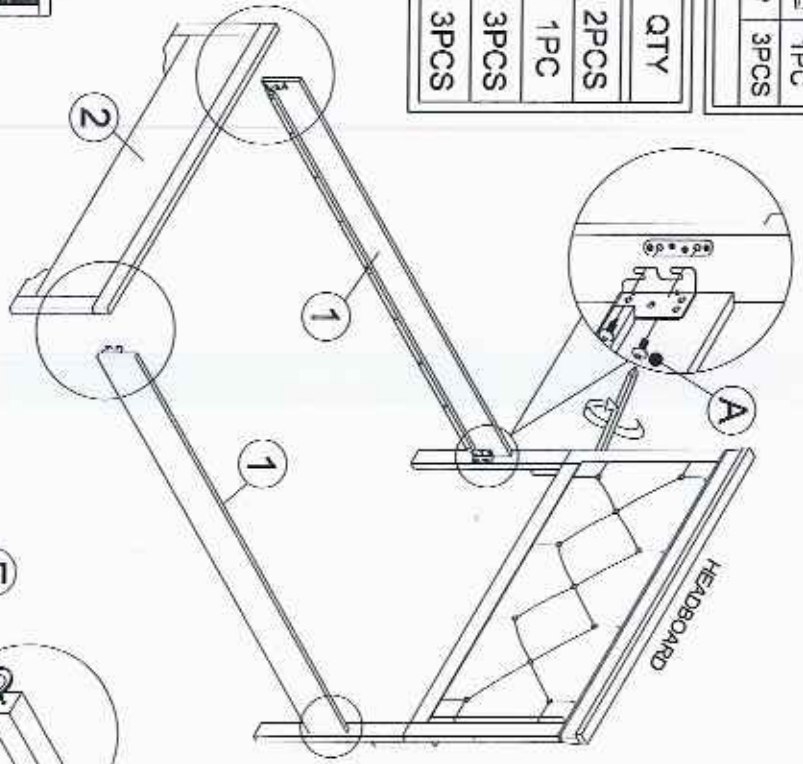
NO	HARDWARE DESCRIPTION	QTY
A.	Screw M8	8PCS
B.	Chipboard Screw M4 x 32mm	6PCS
C.	JCBC Bolt M6 x 35mm	3PCS
D.	Allen Key	1PC
E.	Adjuster Screw M6 x 24mm	3PCS

SCREW DRIVER NOT PROVIDE !!!

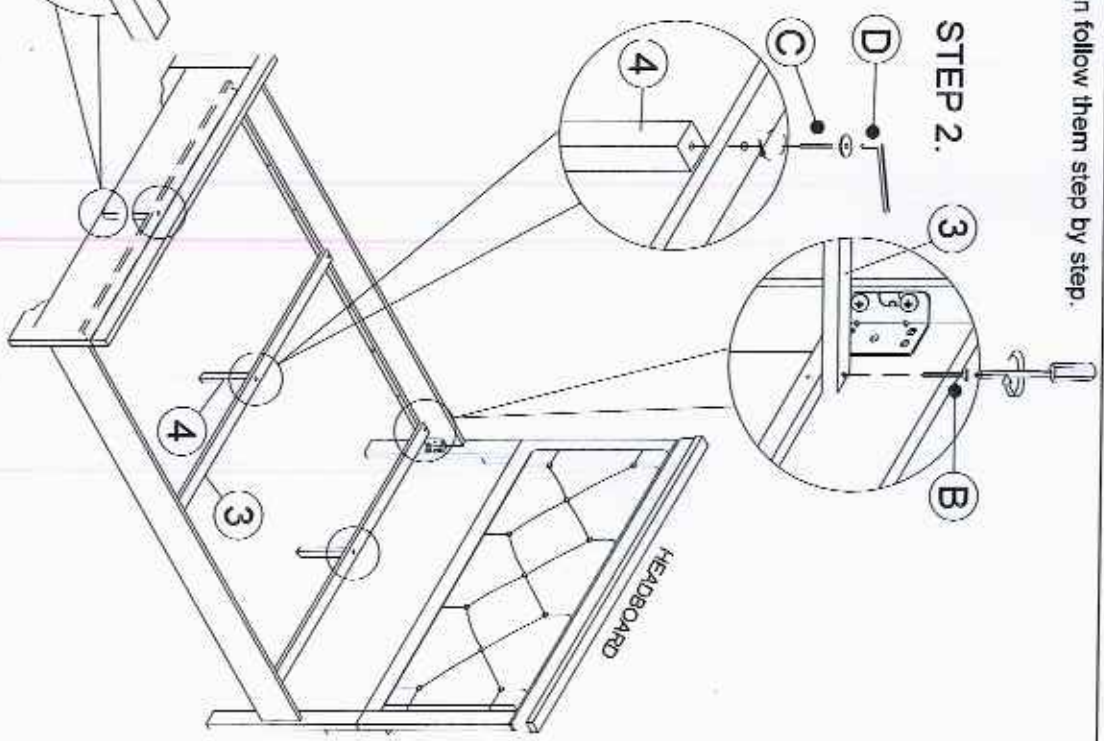
NO	PART LIST	QTY
1.	SIDE RAIL	2PCS
2.	FOOTBOARD	1PC
3.	WOODEN SLAT	3PCS
4.	SUPPORT SLAT	3PCS



### STEP 1.



### STEP 2.



\* TOTAL SLAT : 3PCS (WITH JCBC HOLE) + 3PCS (SLATS SUPPORT)