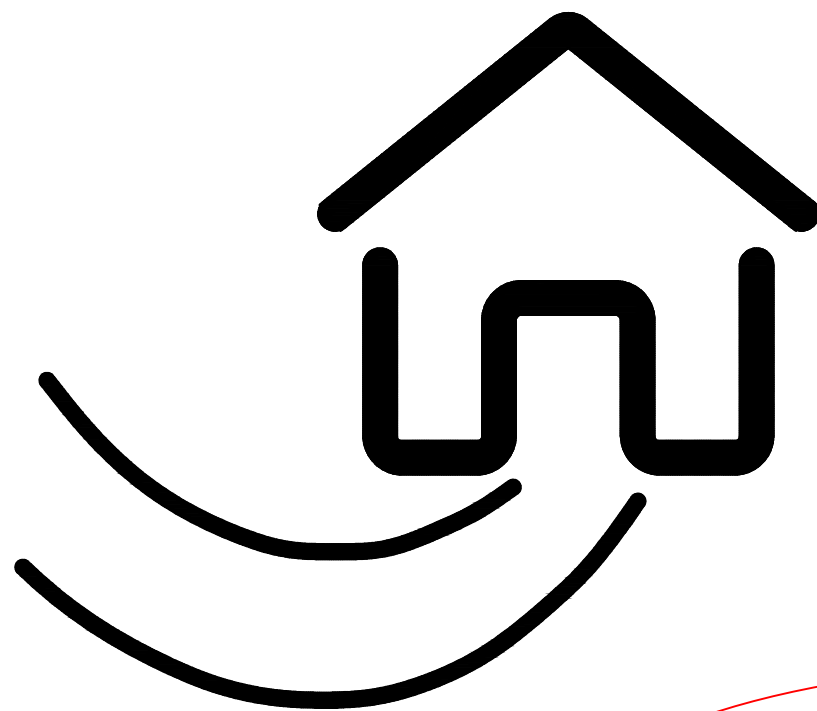


HAPPINESS HAPPINESS INSTALLATION



CAUTION

Parts are placed at the bottom of the product.

- If you have any questions with the product, please contact us by:
- **Email: customerservice@zoy-living.com**
(we will reply to you within 24 hours)

Assembly Instructions

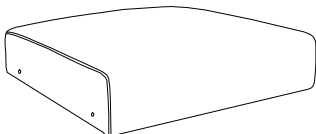
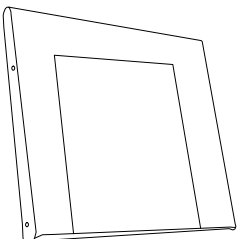
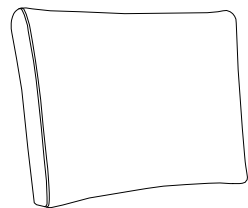
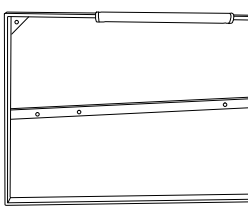
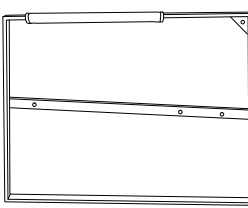
CS039AF61D

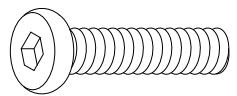
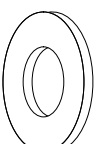
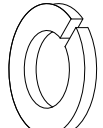

Your recliner comes packaged in one box. Carefully remove all of components from the packaging and set aside for assembly.

CAUTION:

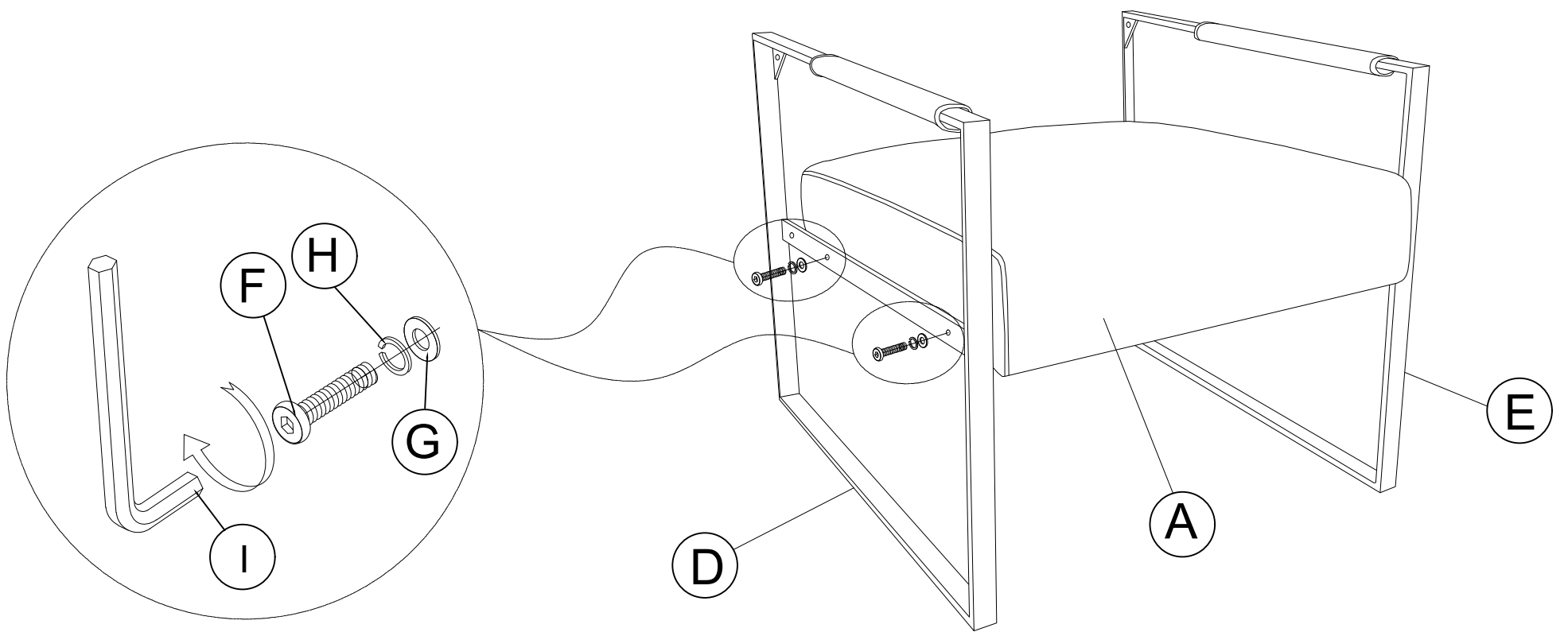
DO NOT use any sharp objects to open plastic wrapped components as damage to product or components may result.

Package Contents

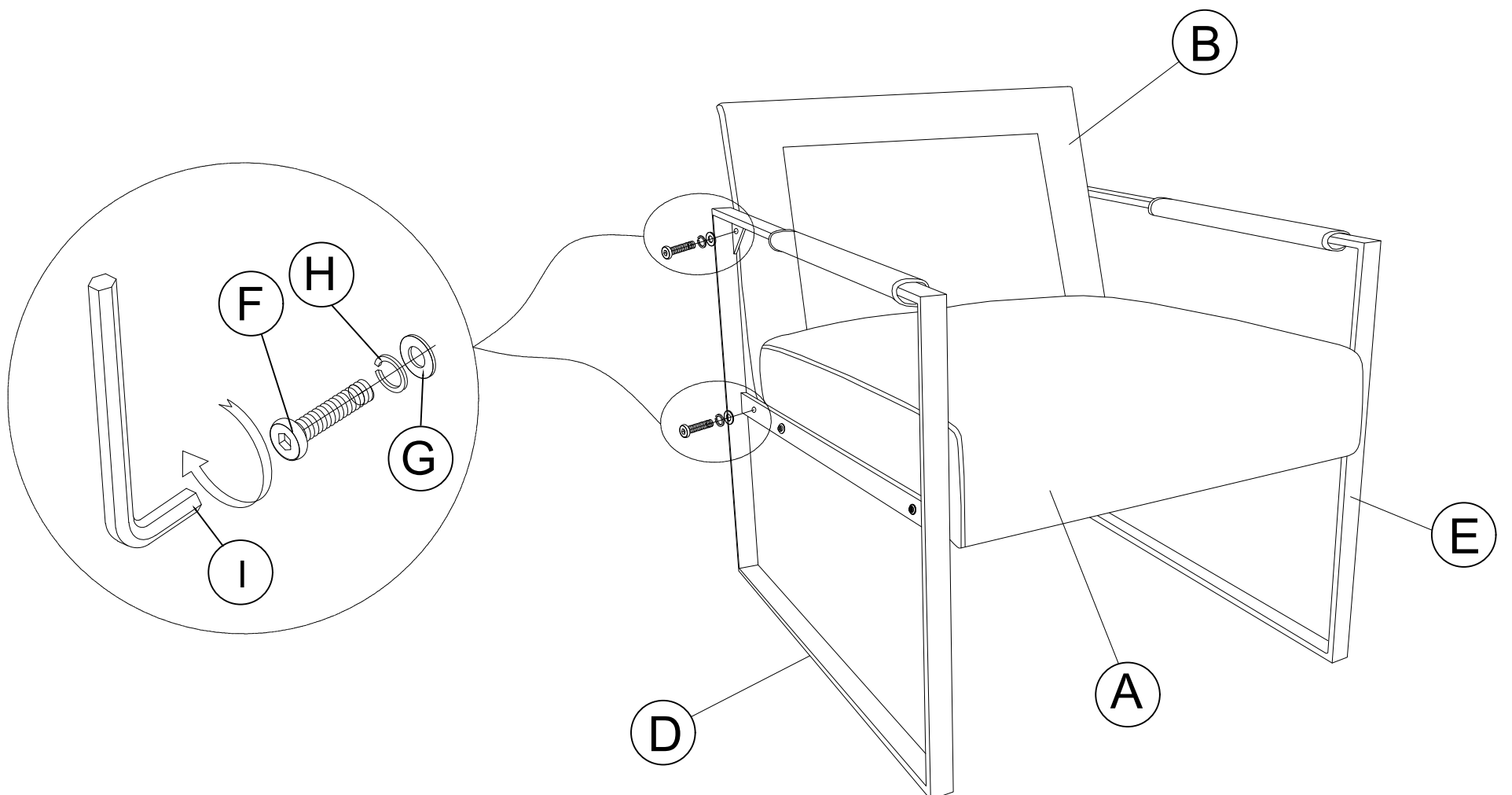
				
A 1* Chair Seat	B 1* Chair Back	C 1* Back Cushion	D 1* Left Armrest	E 1* Right Armrest

			
F 8* Bolts 5/16*38mm	G 8* Flat Washers	H 8* Lock Washers	I 1* Allen Wrench

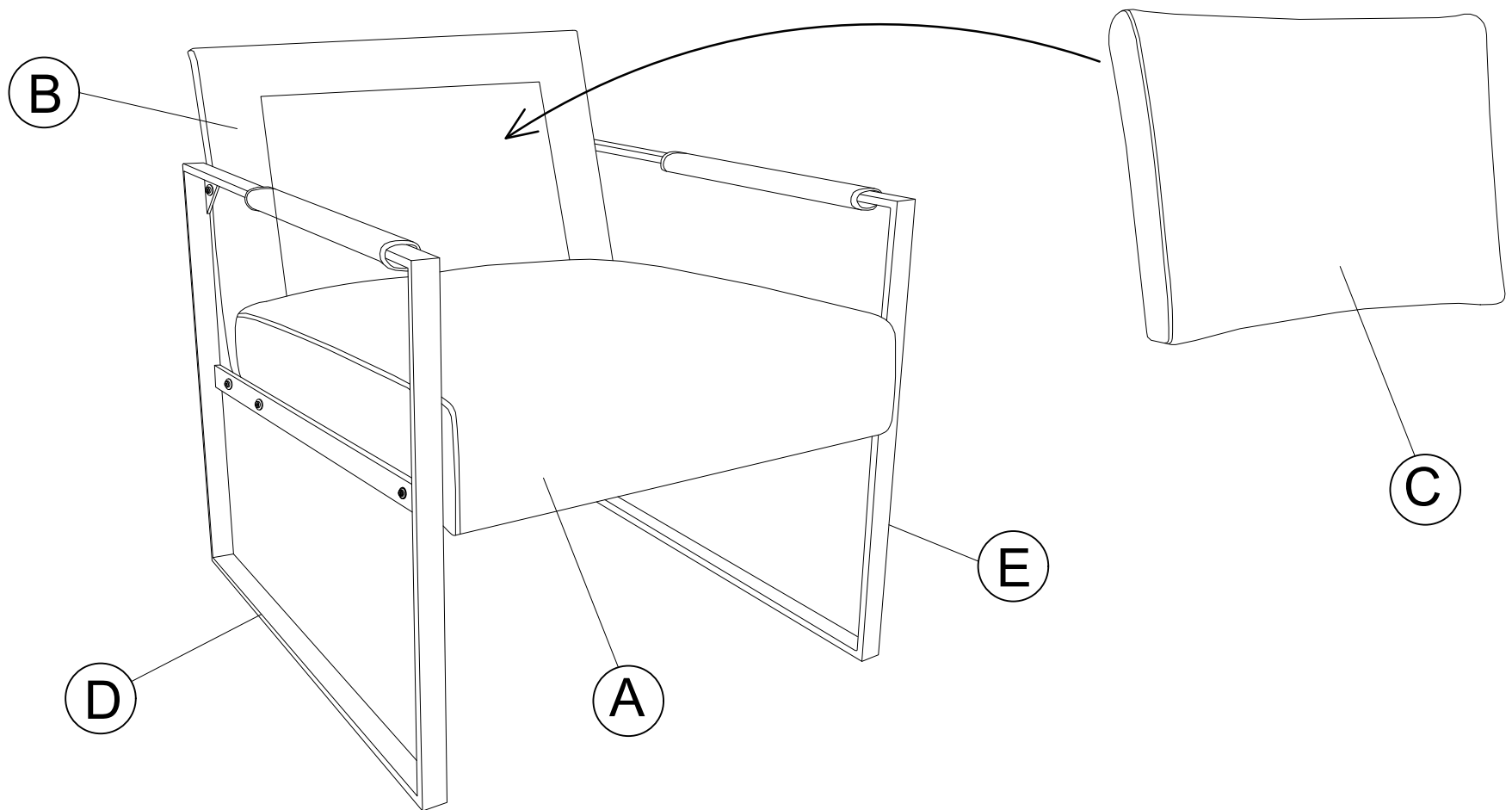
Step 1: Assemble Left Armrest(D) and Right Armrest(E) to Chair Seat (A). Lock the armrests to the seat using allen wrench(I) to loosely tighten bolts(F), lock washers(H), flat washers(G) as illustration below:



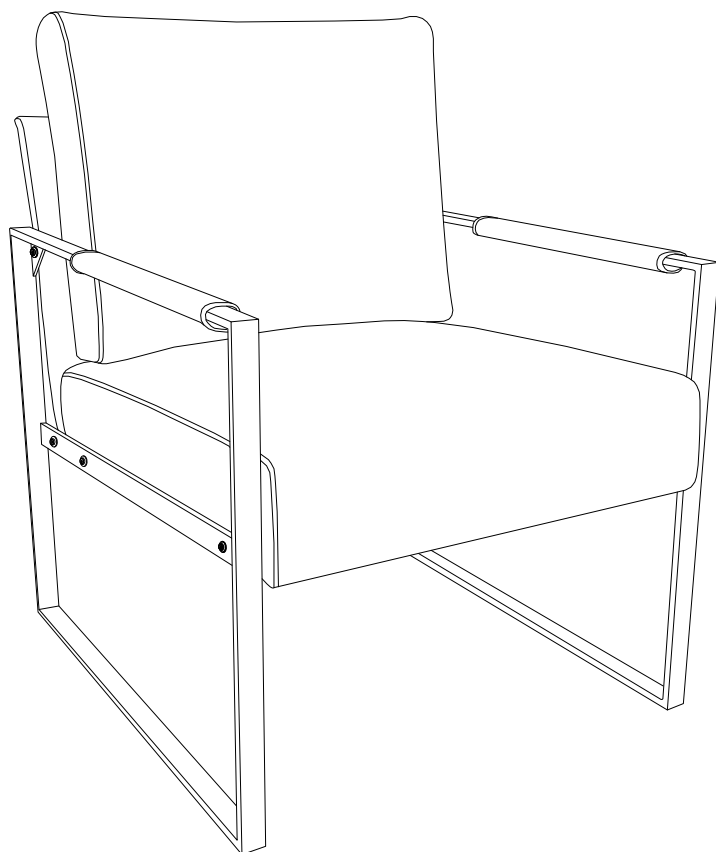
Step 2: Insert Chair Back(B) to Left Armrest(D) and Right Armrest(E). Lock the chair back to the armrests using allen wrench(I) to loosely tighten bolts(F), lock washers(H), flat washers(G) as illustration below:



Step 3: Insert Back Cushion(C) on the chair back by velcro.



Step 4: Turn the chair over and place it upright on a level surface. Assembly is complete.



ATTENTION!!

Bolts may loosen during normal everyday use. They should be periodically inspected and re-tightened to prevent damage or injury. Always check to ensure that all hardware is kept tightened.

Warnings

1. Please check if the components of the chair are all included and can be used normally.
2. Assemble all components according to the instruction correctly.
3. If the chair is damaged or doesn't match the website description, please send clear pictures of the product and label of the carton to our service team for further help.

If the chair still doesn't assembly, please feed the information back to our customer service in time and we'll help you solve the matter as soon as possible

4. If you have any questions with the product, please contact us by:

Email: customerservice@zoy-living.com(we will reply to you within 24 hours)