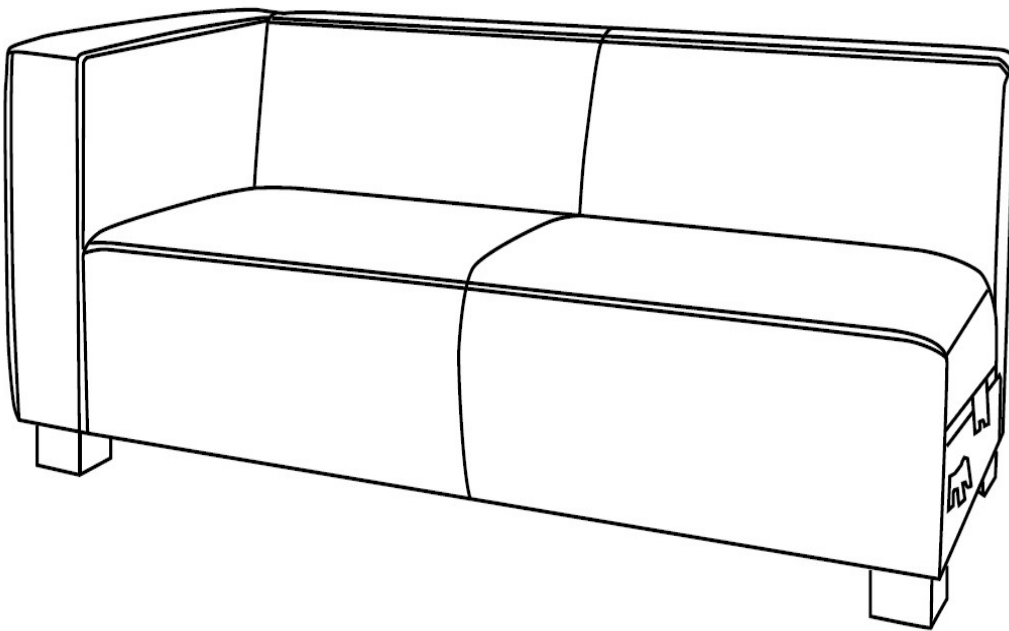


Assembly Instructions

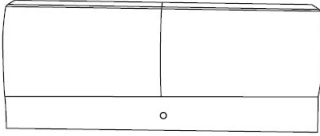
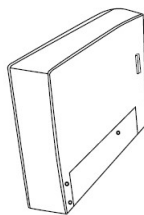

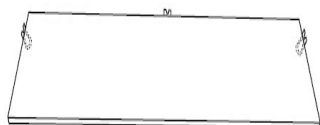

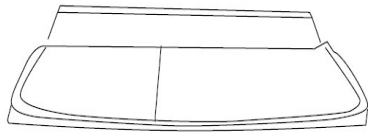



Caution: You must read this before you proceed

Please look in the magic tape pouch for hardware packs and legs





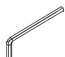
LEFT ARM SOFA



Part List

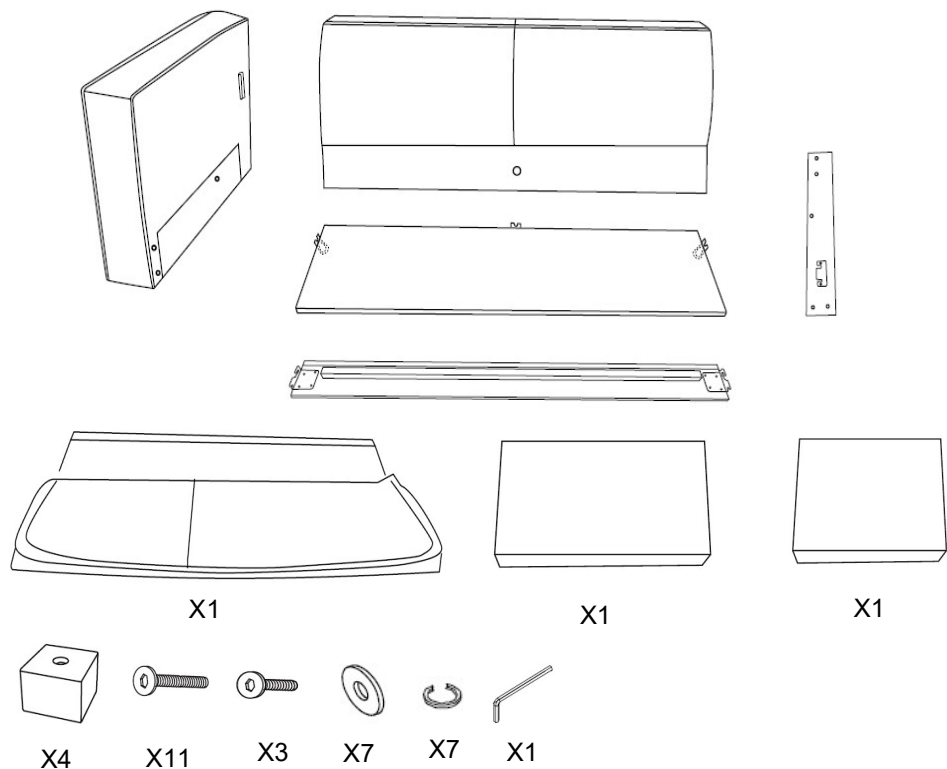
Label	Picture	Description	QTY
A		Backrest	1
B		Left Armrest	1
C		Right Side Rail	1
D		Seat	1
E		Front Rail	1
F		Seat Cushion Cover	1
G		Large Inner Seat Cushion	1
H		Small Inner Seat Cushion	1
I		Leg	4

Hardware List

Label	Picture	Description	QTY
①		Bolt(M8*25MM)	3
②		Flat Washer Ring	7
③		Spring Washer Ring	7
④		Bolt(M8*60MM)	11
⑤		Allen Wrench	1

Assembly Preparation

Before Beginning Assembly:



- Read instructions, cover to cover-



- Have 2 adults on hand for assembly-



- Do not assemble on flooring or carpet-



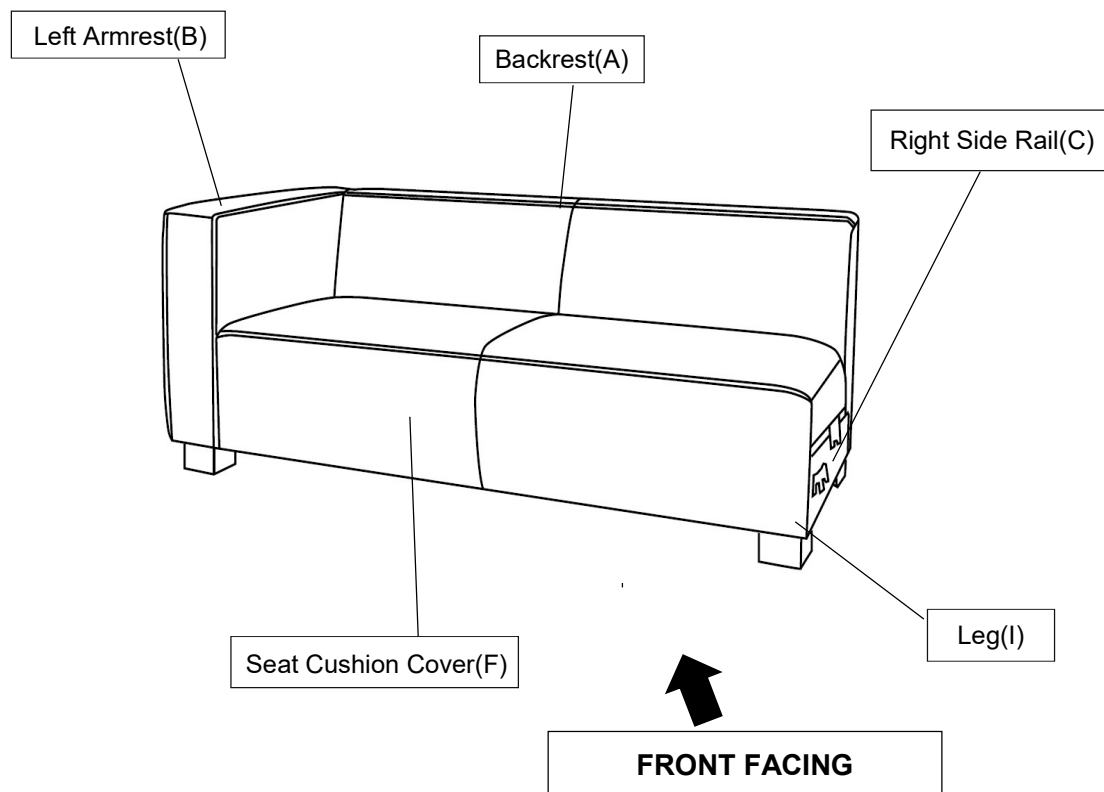
- Assemble on a clean non-marring surface (packing foam)-



- Save all packaging until finished-

Assembly Steps

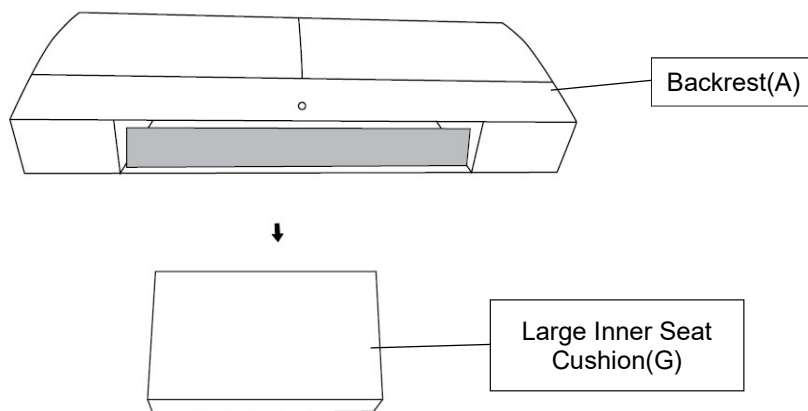
OVERVIEW



This Left Arm Sofa has multiple parts and may require up to 60 minutes to assemble. To give you an overview of the Left Arm Sofa parts, the above picture is to help you put the various parts into perspective. Please read through the instructions below to familiarise yourself with the parts and steps before assembly.

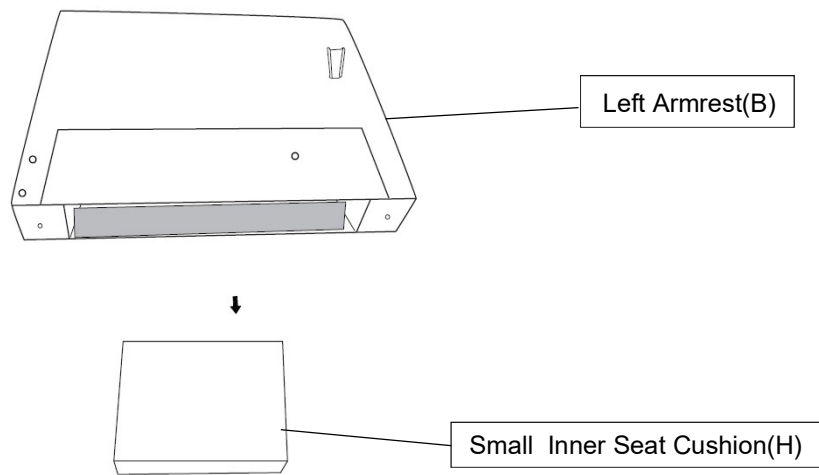
Note: It is recommended that you have an adult partner to assist during the entire assembly process.

Step 1



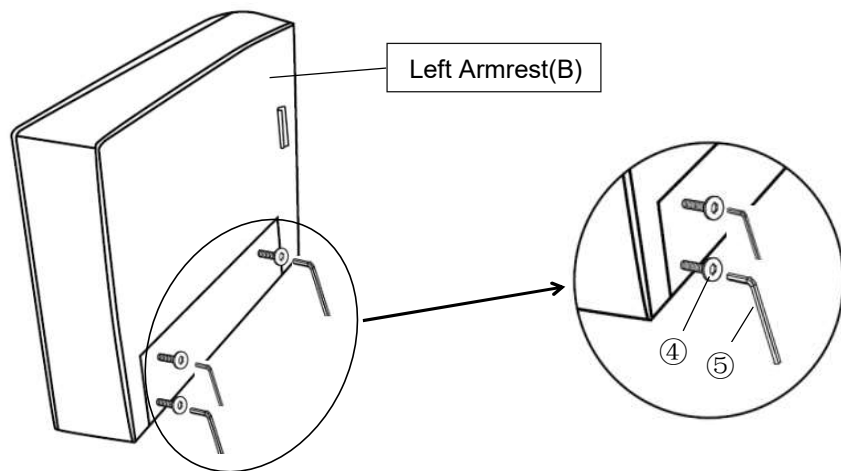
Place the Backrest(A) face up on a clean, non-marring surface as shown. Remove the Large Inner Seat Cushion(G) from inside of the Backrest(A).

Step 2



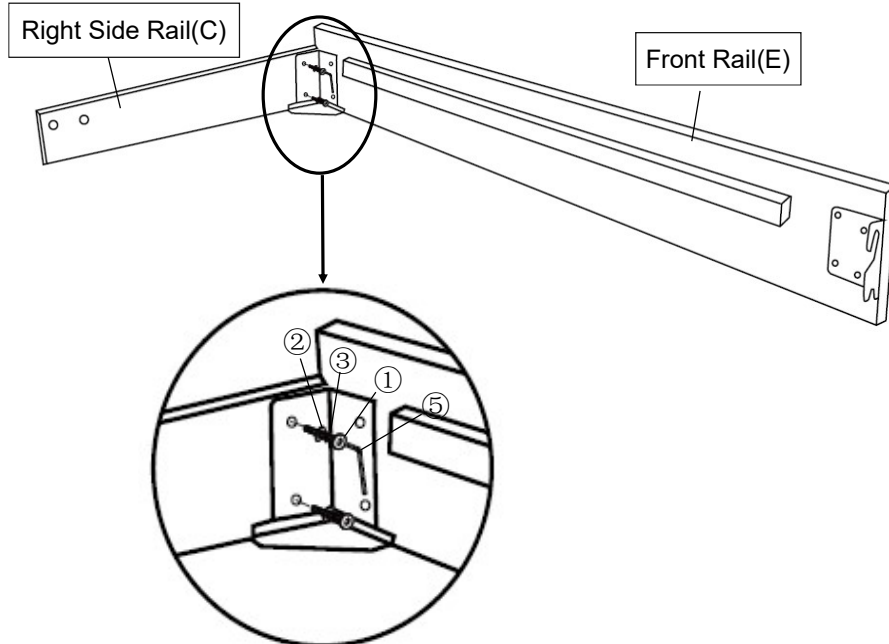
Place the Left Armrest(B) face up on a clean, non-marring surface.
Remove the Small Inner Seat Cushion(H) from the bottom of Left Armrest(B) as shown.

Step 3



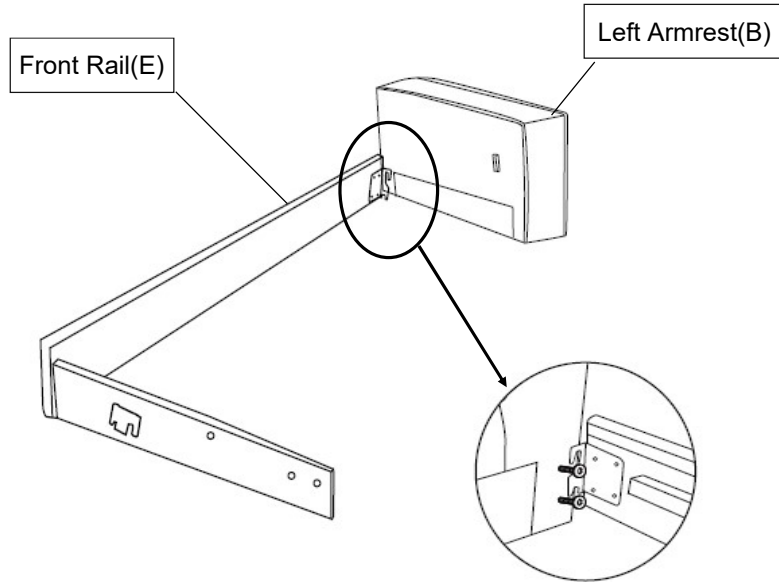
Turn the 3 Bolts(4) clockwise with the Allen Wrench(5), turn about 0.5 inches (half an inch) into the Left Armrest(B), as shown above.

Step 4



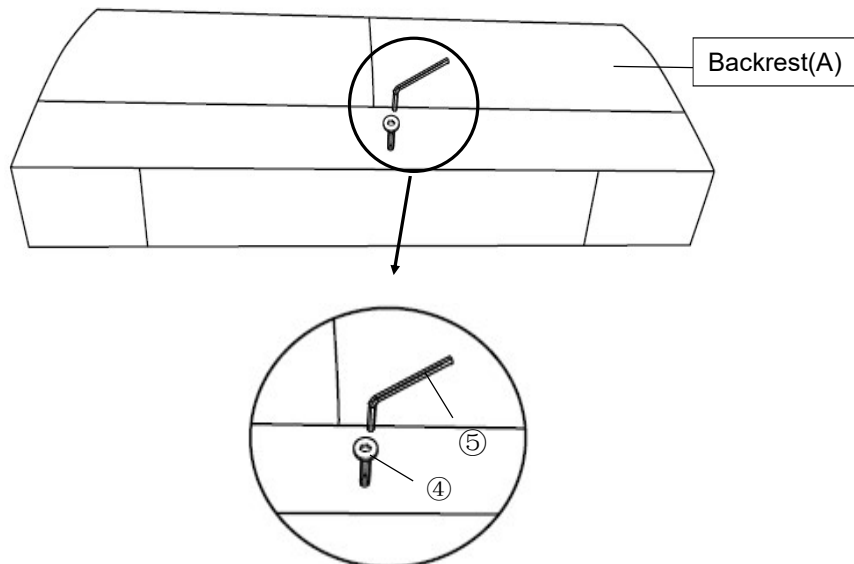
With the assistance of your partner, attach the Front Rail(E) to the Right Side Rail(C) using Bolts(①), Spring Washer Rings(②), Flat Washer Rings(②) and the Allen Wrench(③). Tighten the Bolts(①) with the Allen Wrench(③).

Step 5



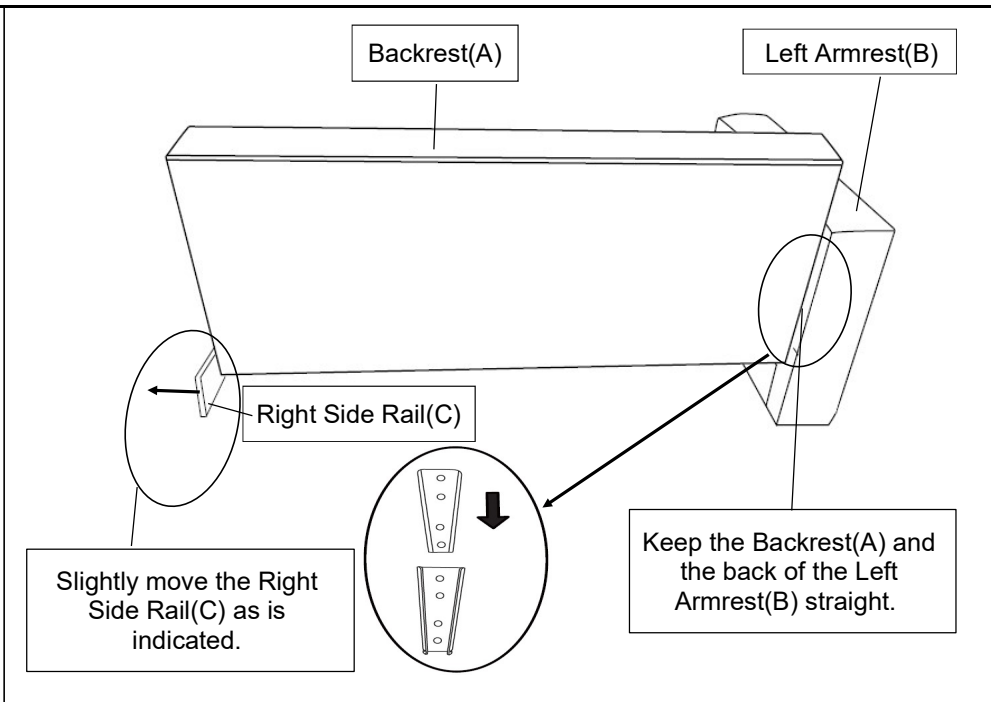
With the assistance of your partner, slide the hooks on the end of Front Rail(E) onto the bolts on the Left Armrest(B), as shown above.

Step 6



Turn the bolt(④) clockwise with the Allen Wrench(⑤), turning about 0.5 inches (half an inch) into the Backrest(A), as shown above.

Step 7



Slide the Tapered Connectors on the Backrest(A) into the Tapered Connectors on the Left Armrest(B) as shown in the picture.

Note: Ensure the Tapered Connectors on Backrest(A) lock into the Tapered Connectors on the Left Armrest(B).

Keep the Backrest(A) and the back of the Left Armrest(B) straight.

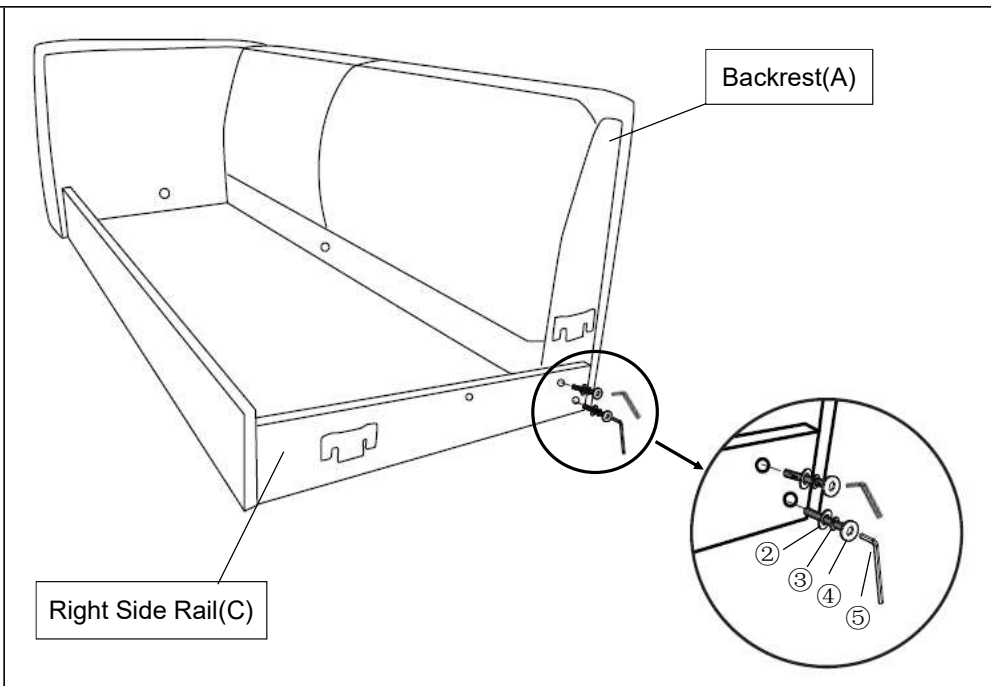
Assistance from an adult partner is necessary for this assembly process.

Notice: During this step, the Right Side Rail(C) should be slightly moved as is indicated to avoid the Backrest(A) to slide. DO NOT MOVE IT TOO MUCH.

During this assembly process - do exercise caution. You may need to use your hand to press down and or pave away the padded surface to facilitate the 'slip and slide' assembly.

Caution: Ensure that your fingers do not get caught or pinched in the assembly process.

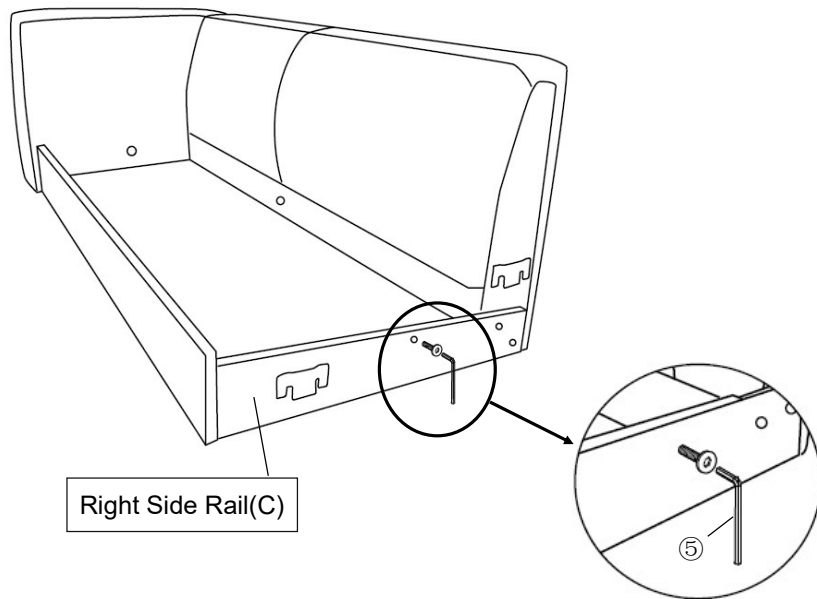
Step 8



Attach the Right Side Rail(C) to the Backrest(A) using Bolts(4), Spring Washer Rings(3), Flat Washer Rings(2) and the Allen Wrench(5).

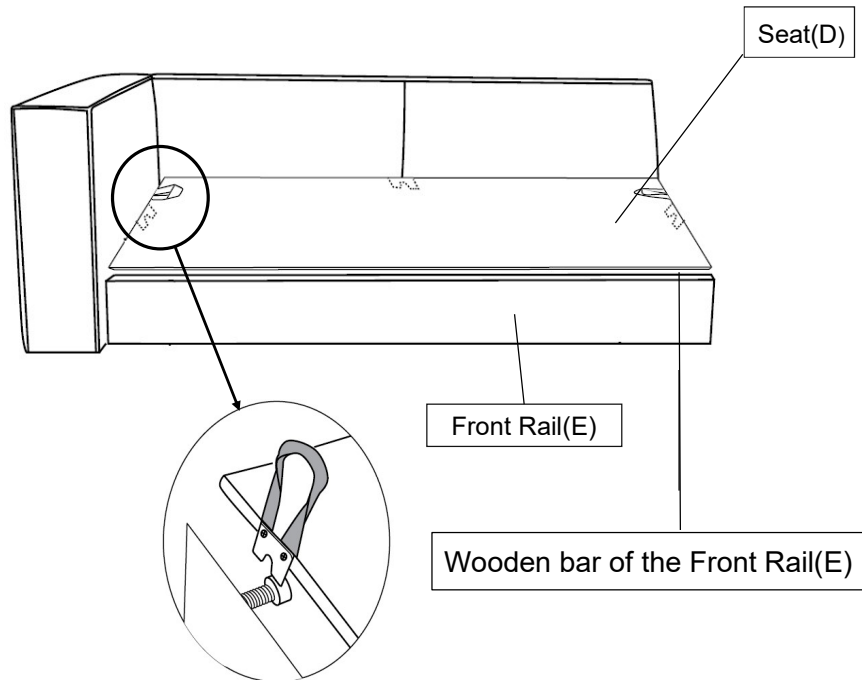
Tighten all Bolts(4) using the Allen Wrench(5).

Step 9



Loosen the 1 bolt in Right Side Rail(C) around 0.5 inches (half an inch) using the Allen Wrench(5).

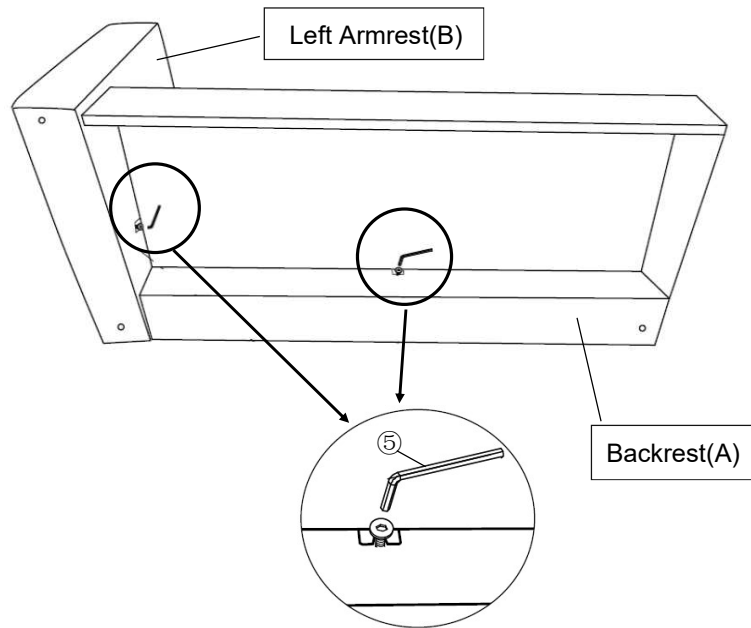
Step 10



With the assistance of your adult partner, lift the rope on the two sides of Seat(D) by hand. Place the Seat(D) over the wooden bar on the back side of the Front Rail(E) and then slowly place it down on it as shown above.

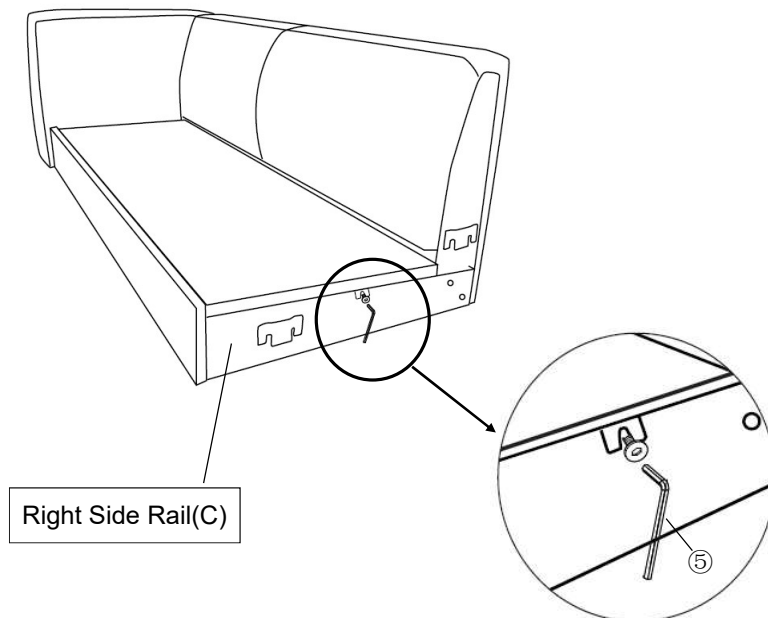
Note:All the u-shaped iron sheet need clamped to the bolt.

Step 11



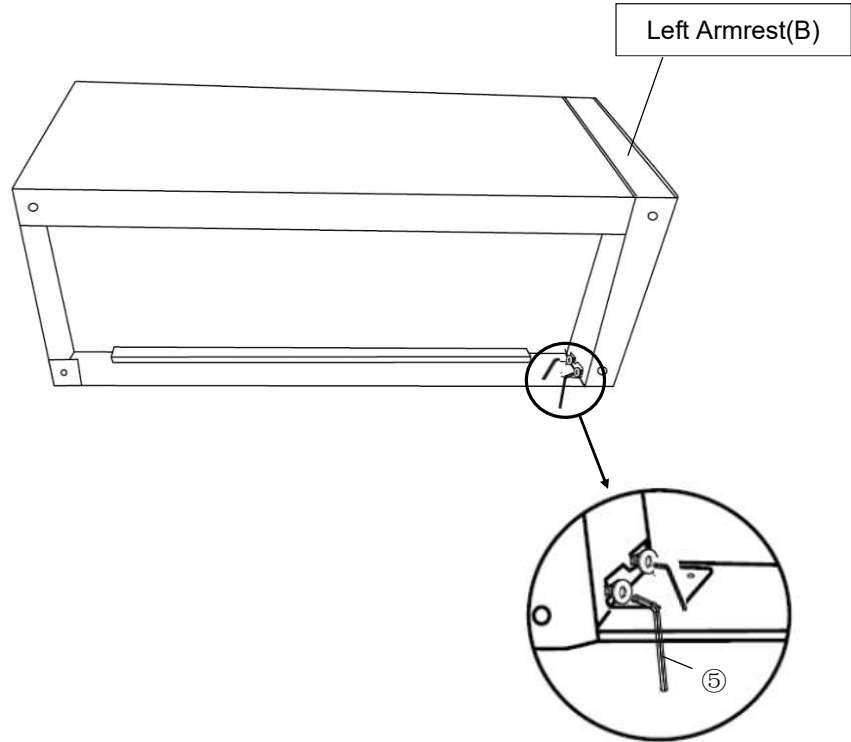
Tilt and lay the Left Arm Sofa onto a flat surface.
Tighten the Bolts in the bottom of the Backrest(A) and the Left Armrest(B) using the Allen Wrench(5) as pictured above.
Tighten the Bolts fully in a sequential manner.

Step 12



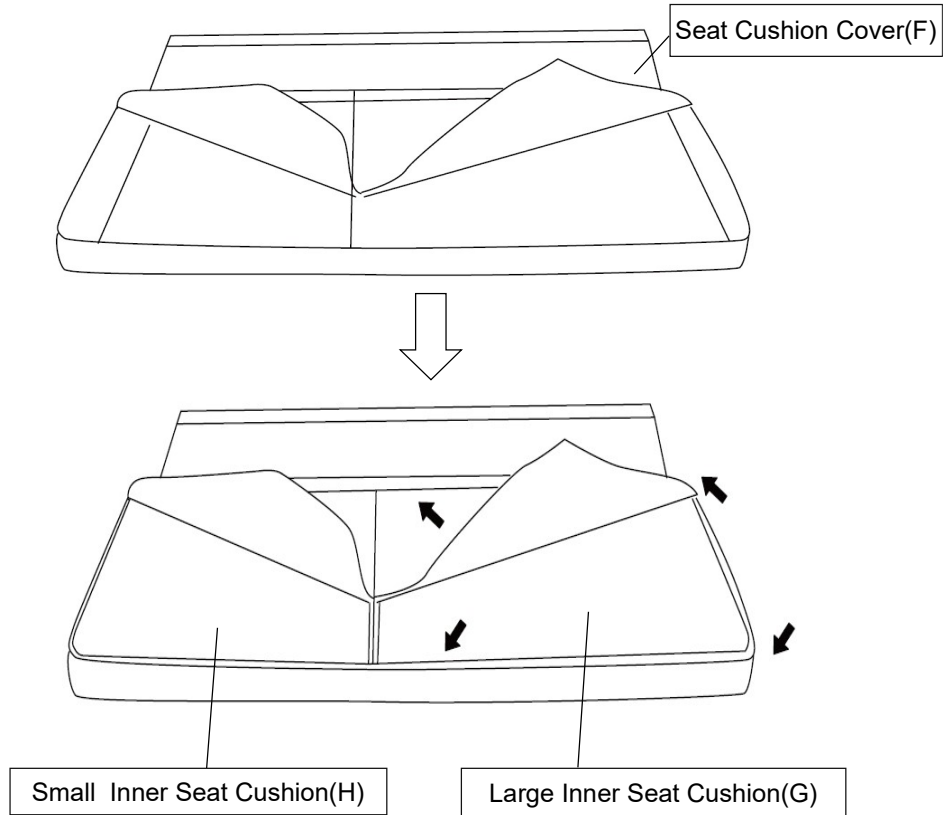
Tighten the Bolt in the Right Side Rail(C) fully using the Allen Wrench(5).

Step 13



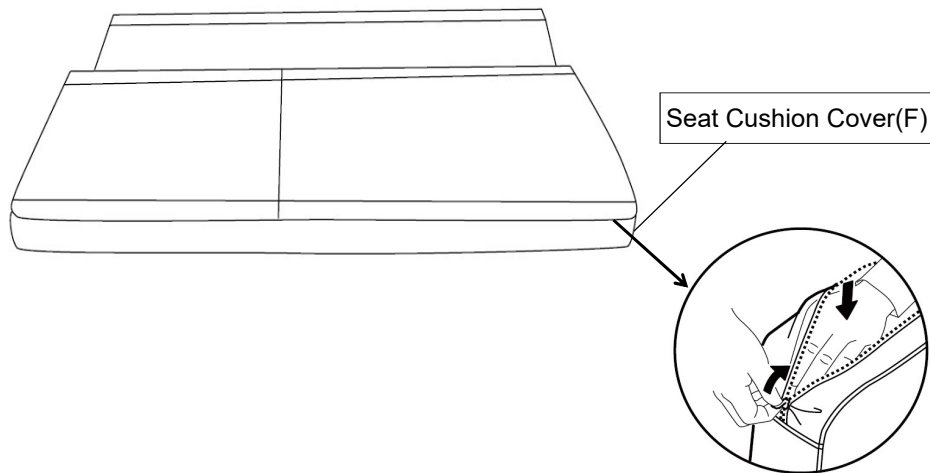
Change tilt and lay the Left Arm Sofa on its side onto a flat surface.
Tighten all the Bolts at the end of bottom Left Armrest(B) using the Allen Wrench(⑤) as pictured above.
Tighten the Bolts fully in a sequential manner, then position the Left Arm Sofa right side up.

Step 14



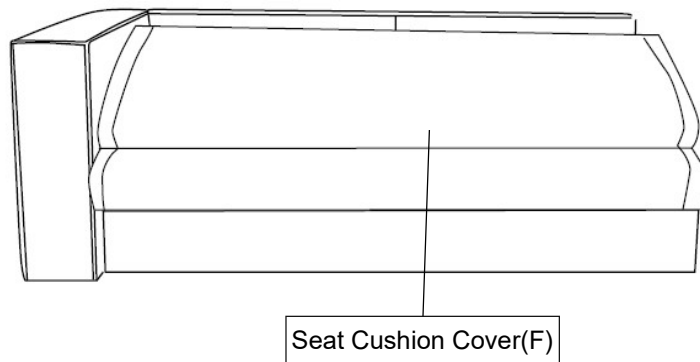
Open the zipper on the bottom of the Seat Cushion Cover(F).
Place the Small Inner Seat Cushion(H) and the Large Inner Seat Cushion(G) into the Seat Cushion Cover(F) and smooth out the Seat Cushion Cover(F) as shown above.

Step 15



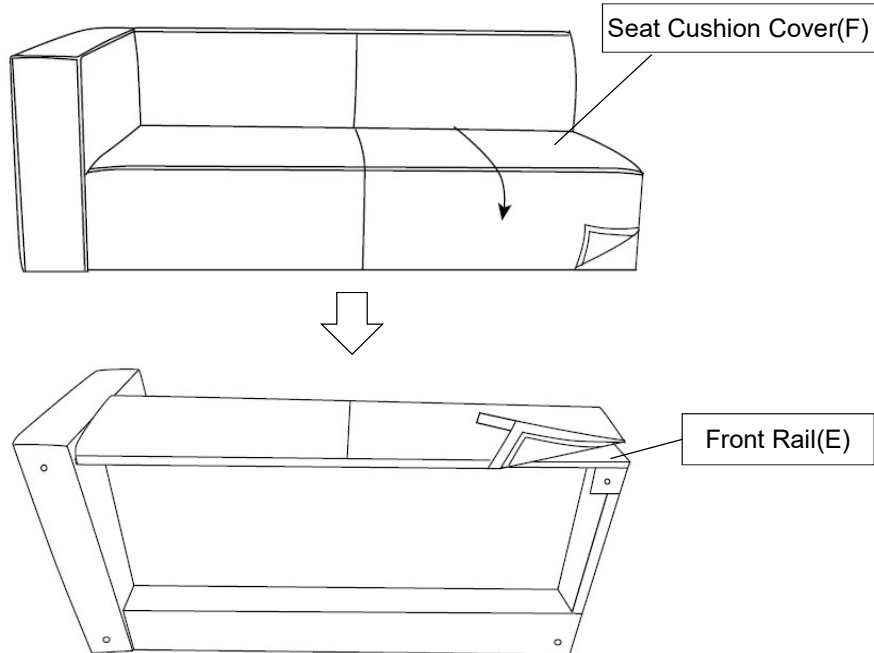
Close the Zipper on the bottom of the Seat Cushion Cover(F) as shown in th picture above.

Step 16



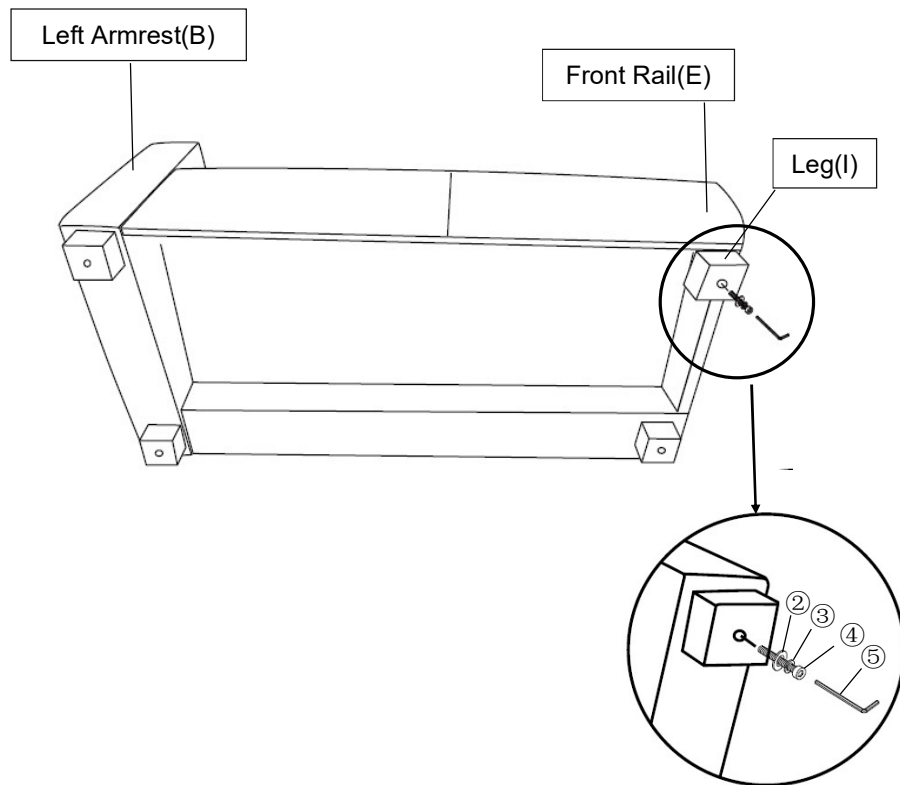
After Step 15, put the Seat Cushion Cover(F) on the sofa.

Step 17



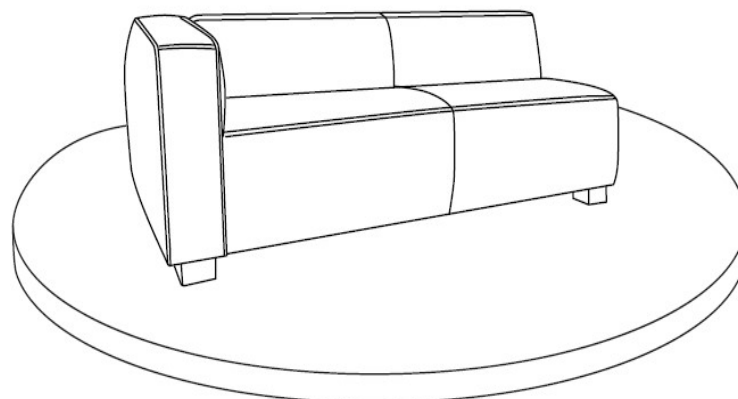
Stick the magic tape of the Seat Cushion Cover(F) under the Front Rail(E) as shown in the above picture.

Step 18



Attach the Leg(l) to the Front Rail(E) using a Bolt(4), Spring Washer Ring(3), Flat Washer Ring(2), and the Allen Wrench(5) turning clockwise until tight. Repeat the same step with the remaining Legs(l).

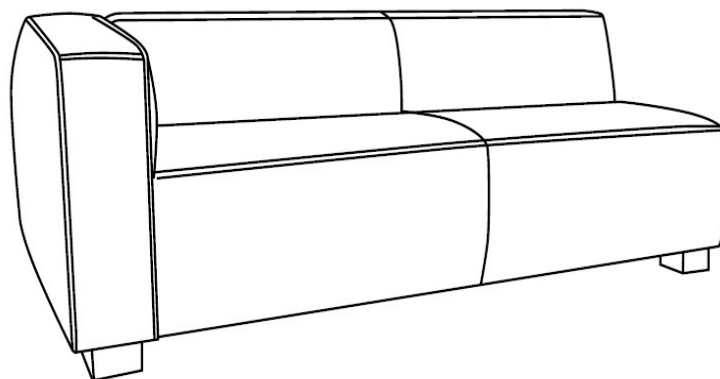
Step 19



Position the Left Arm Sofa right side up and test for stability.

Notice:If a leg is found to not be level, slightly loosen the bolts under the sofa, press the Backrest, the Arm or Seat Cushion to adjust until all 4 legs level, then tighten all the bolts.

Step 20

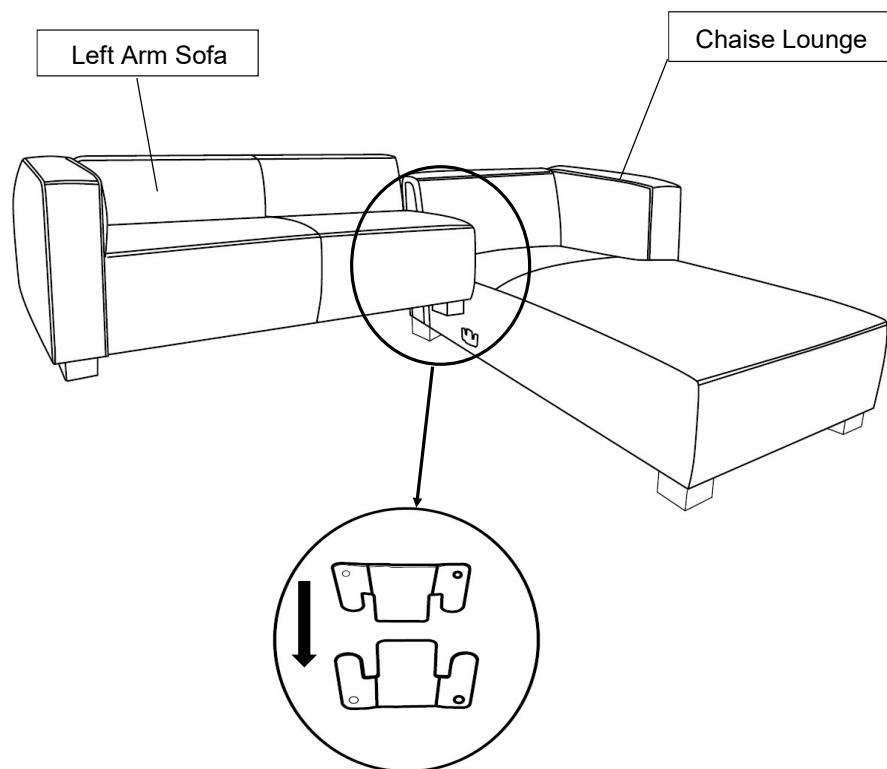


Your Left Arm Sofa is ready for use.

This Left Arm Sofa can only be used on a flat, level surface.

This Left Arm Sofa can be combined with a Chaise Lounge into a sectional sofa. If you bought a Chaise Lounge at the same time, read on.

Step 21



Slide the Tapered Connectors on the Left Arm Sofa into the Tapered Connectors on the Chaise Lounge as shown in the picture.

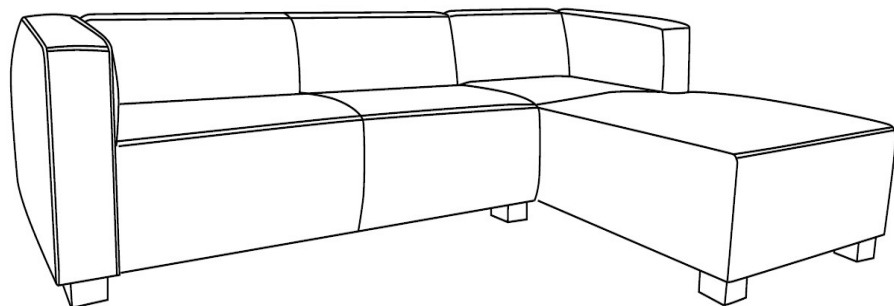
Note: Ensure the Tapered Connectors on the Left Arm Sofa lock into the Tapered Connectors on the Chaise Lounge.

Assistance from an adult partner is necessary for this assembly process.

During this assembly process - do exercise caution. You may need to use your hand to press down and or pave away the padded surface to facilitate the 'slip and slide' assembly.

Caution: Ensure that your fingers do not get caught or pinched in the assembly process.

Step 22



Your Sectional Sofa can be used as shown in the picture above.

Care & Maintenance



- Furniture may scratch floors. We recommend using furniture pads to protect your floors.



- Do not put hot items directly on furniture surface.



- Do not clean furniture with harsh cleansers or polish.



- Do not place furniture under direct sunlight.



- Do not place furniture near heating or cooling vents.



- Do not write on furniture without a padded barrier to protect the surface.



- Do not place furniture outside . For indoor use only.



- Not for commercial use. For residential use only.



- Stains may be removed with mild soap solution and damp cloth.



- Children should not climb or jump on the furniture.



- Dust and pick-up spills using a clean, non-colored, lint-free cloth.