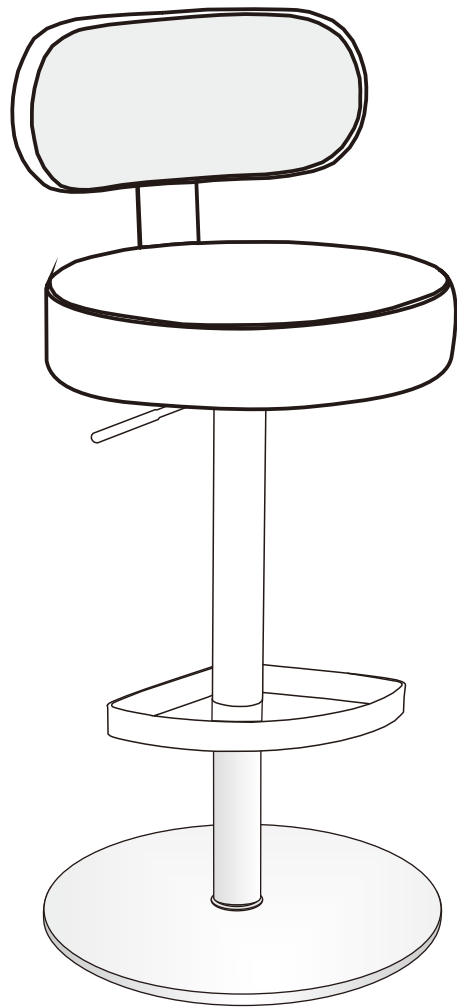


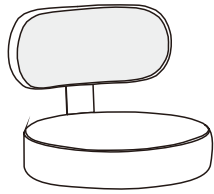
# T O V



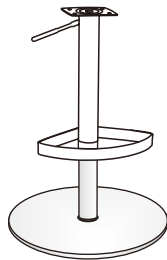
Primrose Barstool

**DON'T BE BORING.**

# Hardware and Components



A x 1pc



B x 1pc



C x 4pcs (6 X20MM )



D x 1pc (Allen Key M5 )

## Step 1

Open the hardware bag.

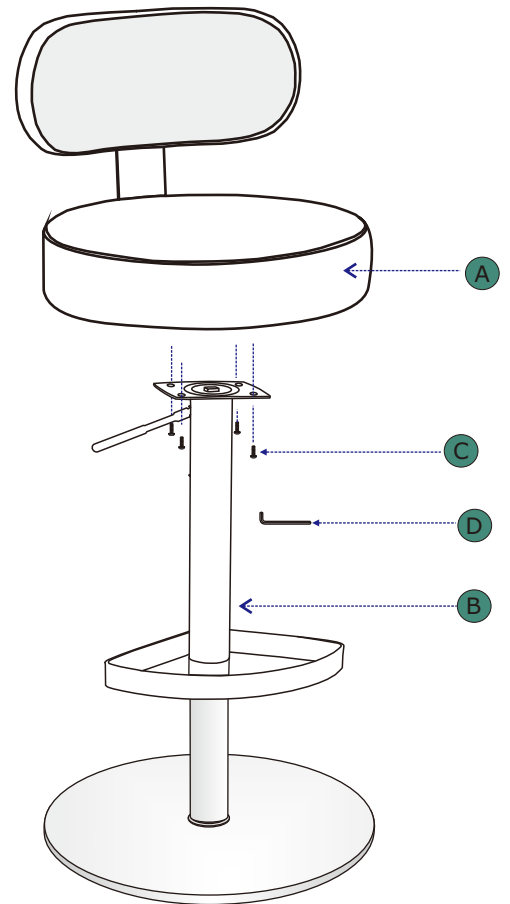
This hardware is a small bag inside of main box. Look for the red bag that fixed on metal parts.



## Step 2

**A.** Attach stool base (Part B) under the seat (Part A) using Parts C, D

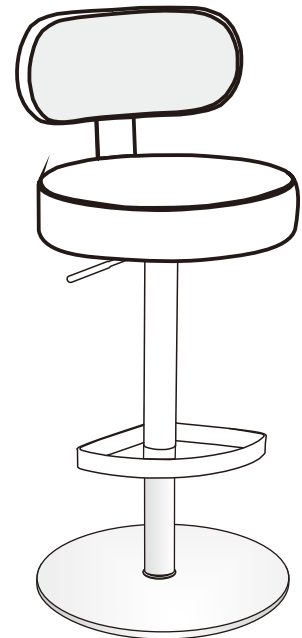
**B.** Lightly tighten 4 screws with allen key tool (Part D)



## Step 3

**A.** Fully tighten all bolts with Allen Key tool (Part D)

**B.** Complete!



**Stuck?**

Contact our team @ 516-888-3355

Scan for product care!



# TOV



## Follow us!

Show your new purchase some love by tagging it on our Instagram!

 @tovfurniture

 516-888-3355

 hello@tovfurniture.com

 www.tovfurniture.com

If the future is female--your furniture should be,too.No mahogany in sight.Sexy settees shaped like lips.Price points for any budget.At TOV,we do things differently.