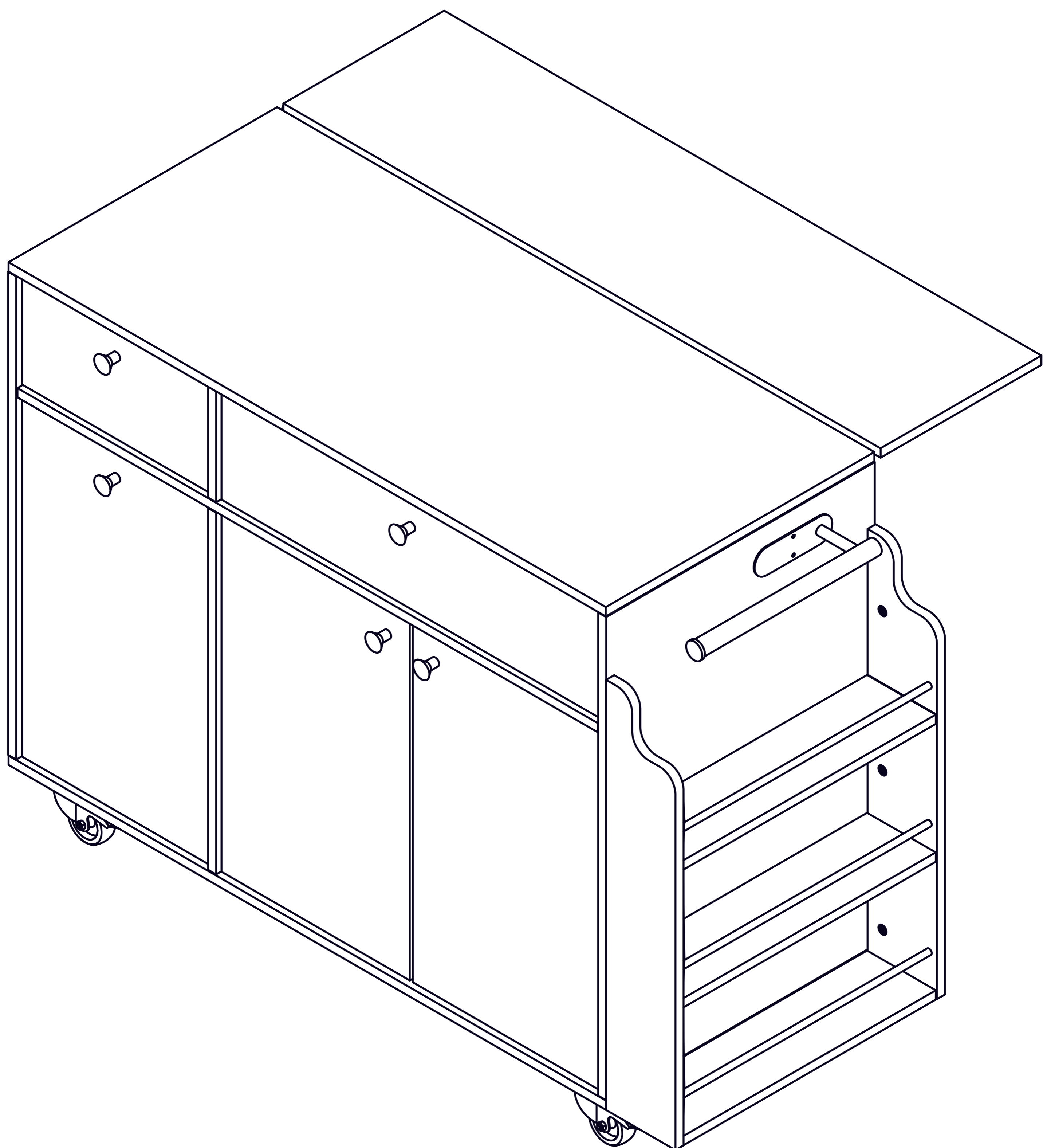


OMCHOM

User Manual

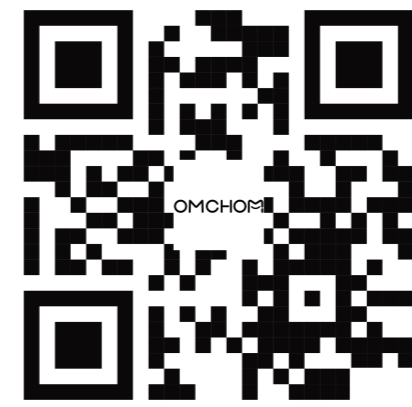


OMC25K102



Please read the instruction manual before assembly. Scan the QR code on the right to view the installation video and electronic manual.

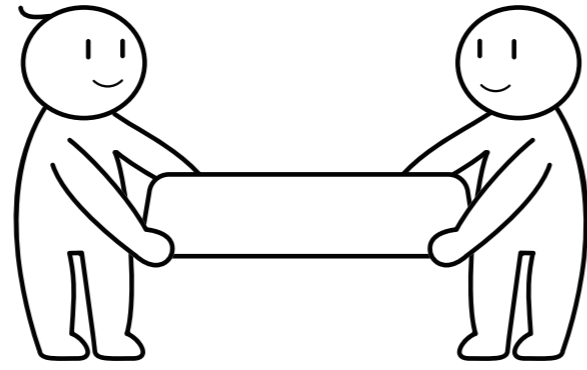
Please keep the manual safe and transfer it with the product.



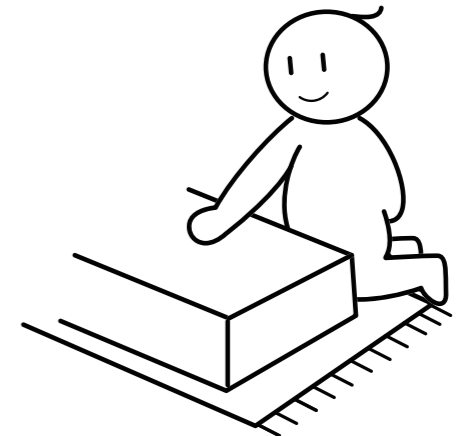
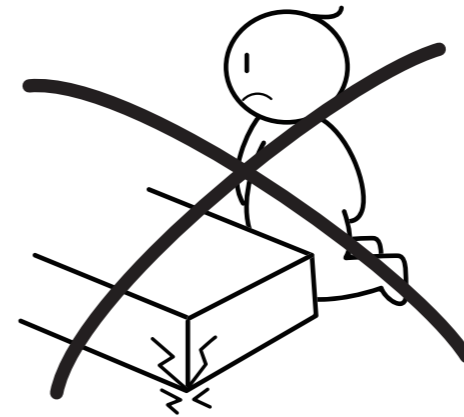
Scan for the e-manual



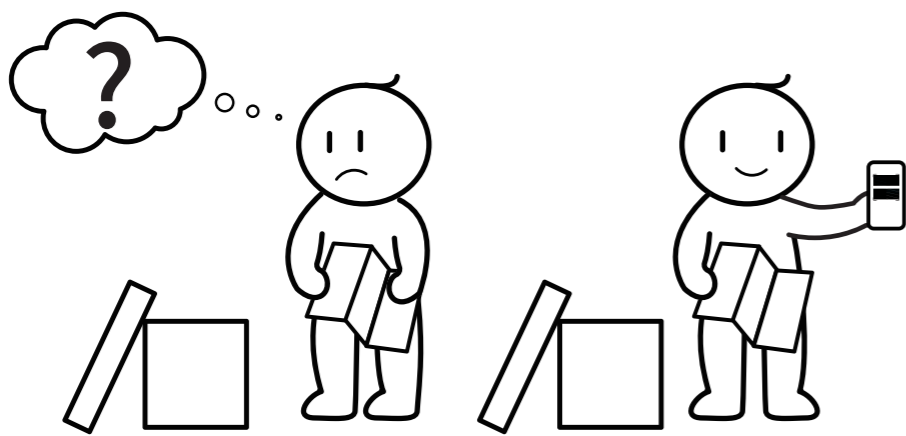
Scan for the installation video



1. Please keep this manual in a safe place and pass it on if you transfer the product to someone else.



2. Choose a clean, flat and spacious area for assembly, and avoid hard surfaces that could damage the product.



Scan the QR code to access.

1. Official after-sales support service
2. Product installation video
3. Warranty activation service

! If you encounter any problems during the installation process, please scan the QR code to contact us for assistance.

! Anti-tipping warning **!**

Furniture tip-over can cause serious or fatal injuries.

To prevent such incidents, please follow the recommendations below:



- Install the supplied tip-over restraint kit as instructed.
- Keep children from climbing on or leaning against the product.
- Do not place a TV or other heavy items on it unless it is designed to support them.
- If this product includes drawers:
 - Store heavier items in the bottom drawer.
 - Open only one drawer at a time to avoid instability.
 - Do not remove or tamper with drawers.

Note: The included anti-tip device reduces— but does not fully eliminate — the risk of tip-over. Please use this product with caution.

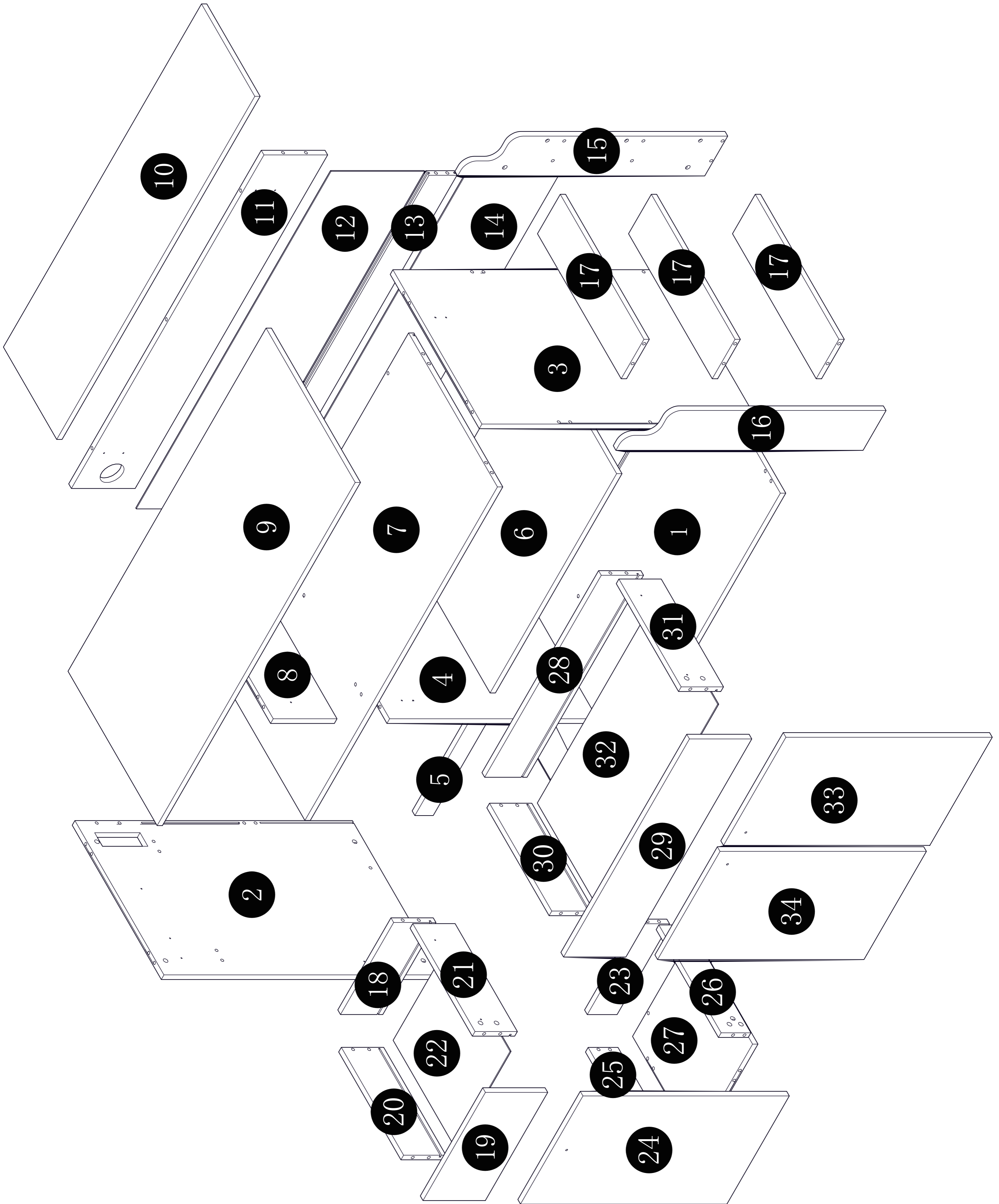
Warning

- This product is for indoor use only. Using the product outside of its intended purpose and/or modifying it beyond its original design may result in personal injury and/or product damage.
- This product must be assembled and used according to the instructions.
- The seller assumes no responsibility or liability for any damage caused by improper assembly or misuse.
- Children must not assemble this product. Keep small parts out of children's reach during assembly, as swallowing or inhaling them may be fatal.
- Children must not climb or stand on this product to avoid tipping and potential injury.
- Do not use this product if there are defects and/or missing parts, as this may cause damage or injury.
- If this product is equipped with an anti-tip device, be sure to install it to prevent the product from tipping over and causing unnecessary injury.
- If this product involves electrical components, keep it away from water or damp environments to avoid electric leakage or short circuits that may cause injury.
- If the product does not have wheels at the bottom, it cannot be moved. Do not drag it, as doing so may loosen or damage the product.

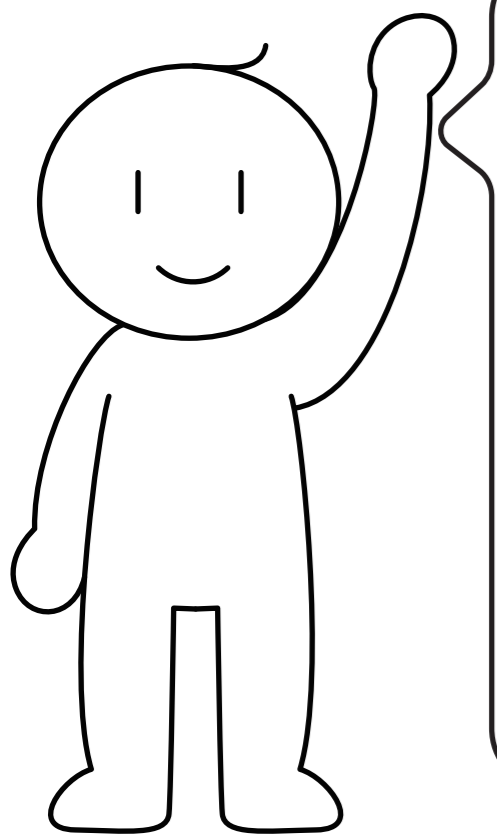
Maintenance Tips

- Place the product on a flat, stable surface to avoid uneven stress and potential damage.
- Periodically check the tightness of all screws during use. Retighten them if necessary to ensure structural integrity.
- Use heat-resistant pads for hot items. Keep the product away from air-conditioning vents or radiators by at least 1.5 meters. Do not place it in any high-temperature area to ensure longevity.
- Wipe off any water on the furniture surface promptly. Avoid exposing the product to long-term humidity to prevent mold.
- Do not place any corrosive substances (including alcohol, aromatherapy oils, nail polish remover, etc.) on the surface.

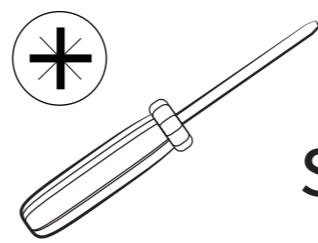
Accessory List-01



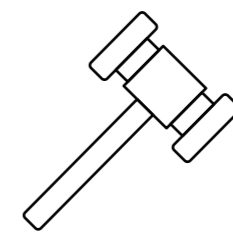
Accessory List-02



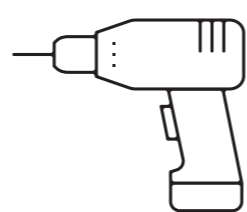
Prepare the required tools:



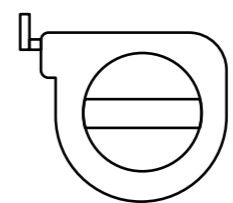
screwdriver



hammer



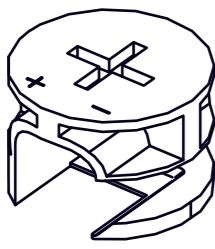
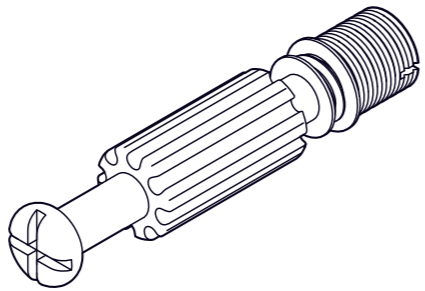
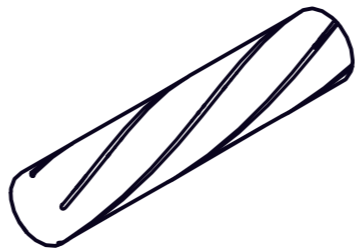
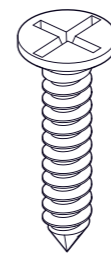
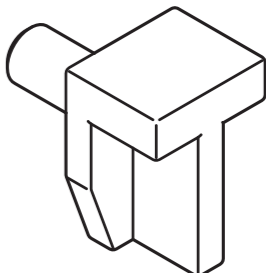
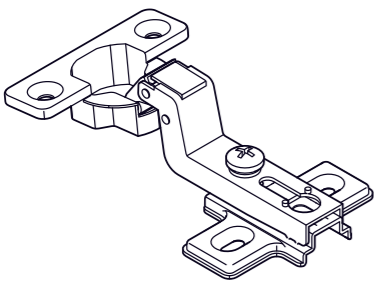
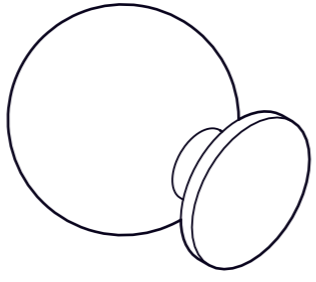
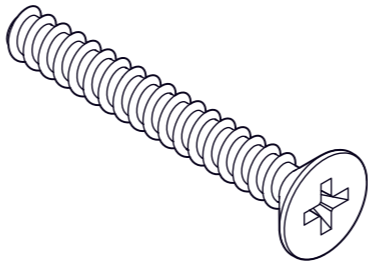
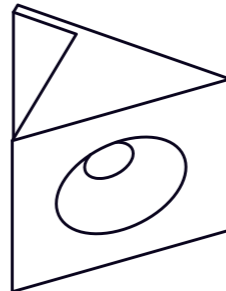
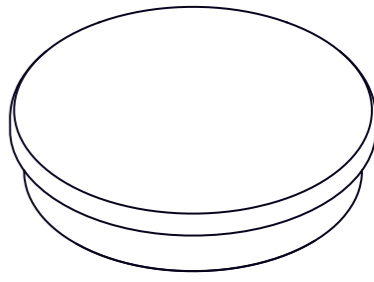
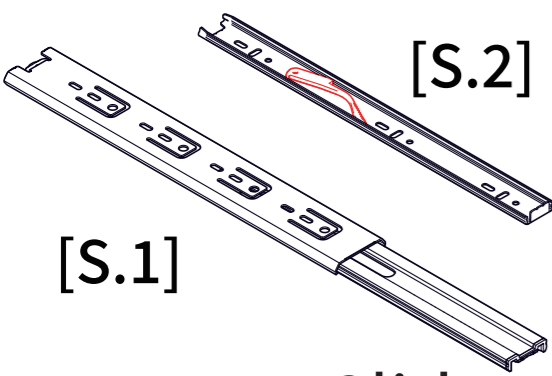
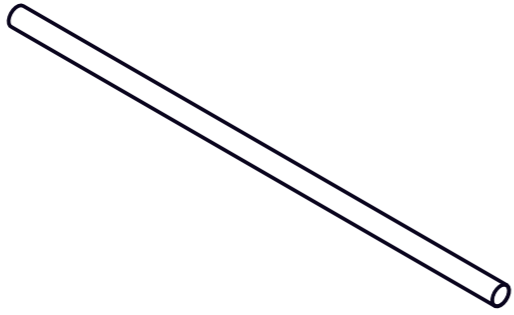
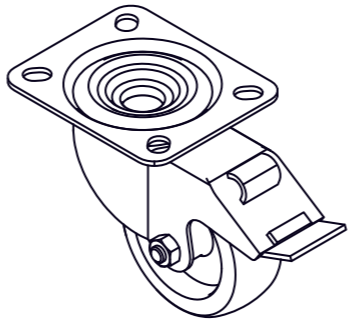
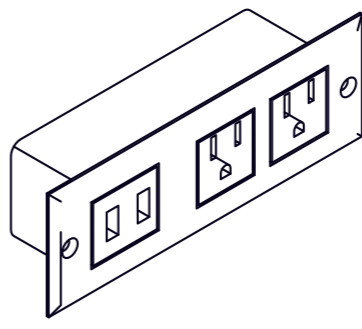
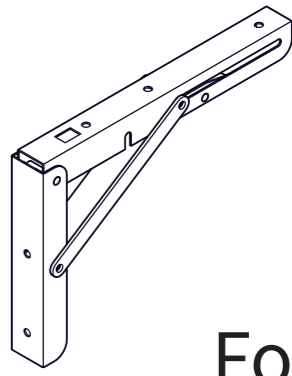
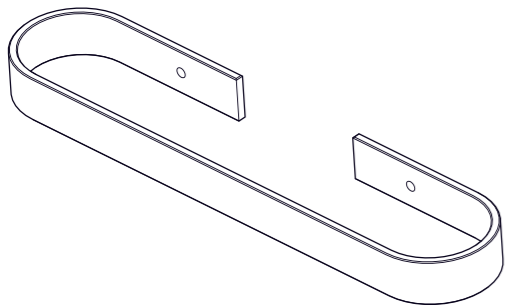
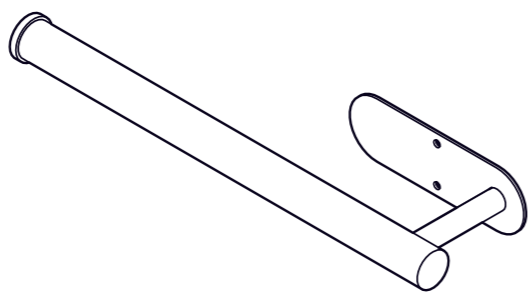
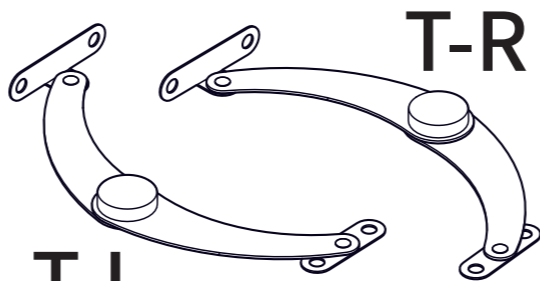
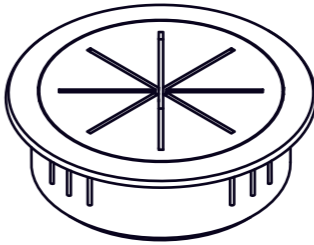
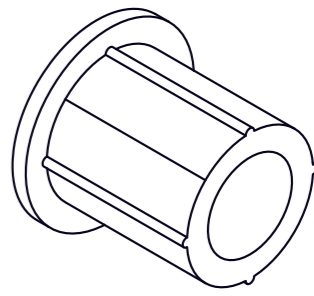
electric drill



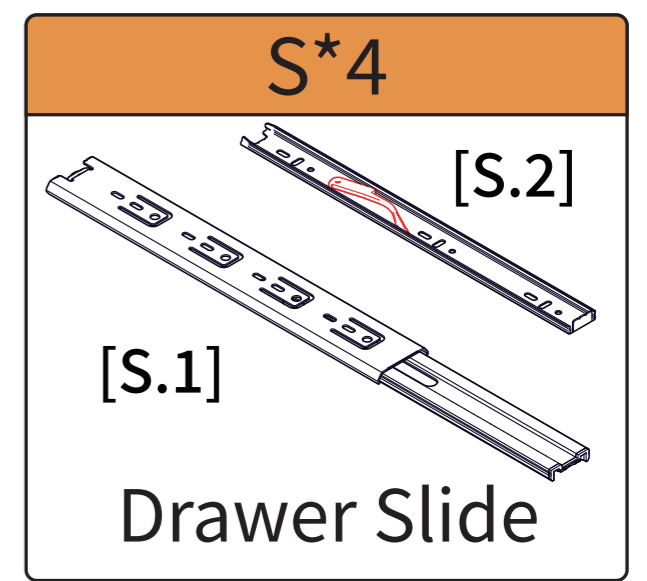
tape measure



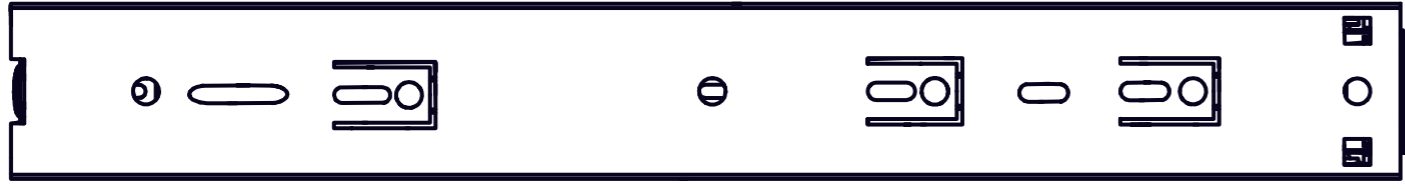
Before installation, check that all boards and parts match the manual and distinguish similar parts by size. If anything is missing, scan the QR code to contact us. Note: This product ships in two packages.

<p>A*88</p>  <p>Cam wheel</p>	<p>B*88</p>  <p>Cam bolt</p>	<p>C*28</p>  <p>Wooden dowel</p>	<p>E*101</p>  <p>Short screw</p>	<p>F*4</p>  <p>Shelf pin</p>
<p>G*6</p>  <p>Hinge</p>	<p>I*5</p>  <p>Handle</p>	<p>J*5</p>  <p>Flat-head screw</p>	<p>K*8</p>  <p>Back panel fastener</p>	<p>P*88</p>  <p>cover cap</p>
<p>S*4</p>  <p>Drawer Slide</p>	<p>Q*3</p>  <p>Metal rod</p>	<p>H*5</p>  <p>Locking Caster</p>	<p>R*1</p>  <p>Power Adapter</p>	<p>U*2</p>  <p>Folding Tabletop Bracket</p>
<p>V*1</p>  <p>Towel Hanger</p>	<p>W*1</p>  <p>Paper Towel Holder</p>	<p>T*1</p>  <p>Positioning Stopper</p>	<p>HO*1</p>  <p>Cable Grommet Cover</p>	<p>FA*8</p>  <p>Shelf pin Hole cover</p>

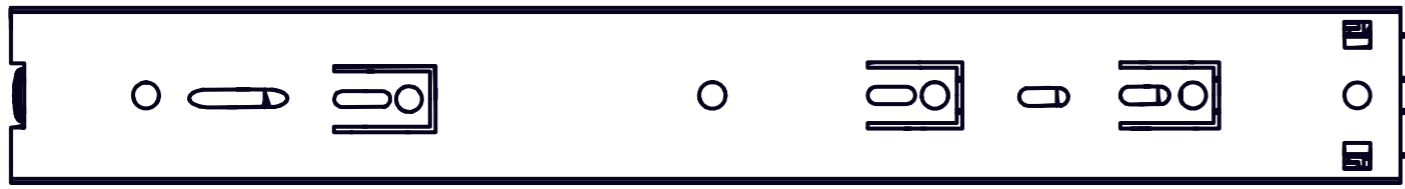
Drawer Slide Disassembly Steps



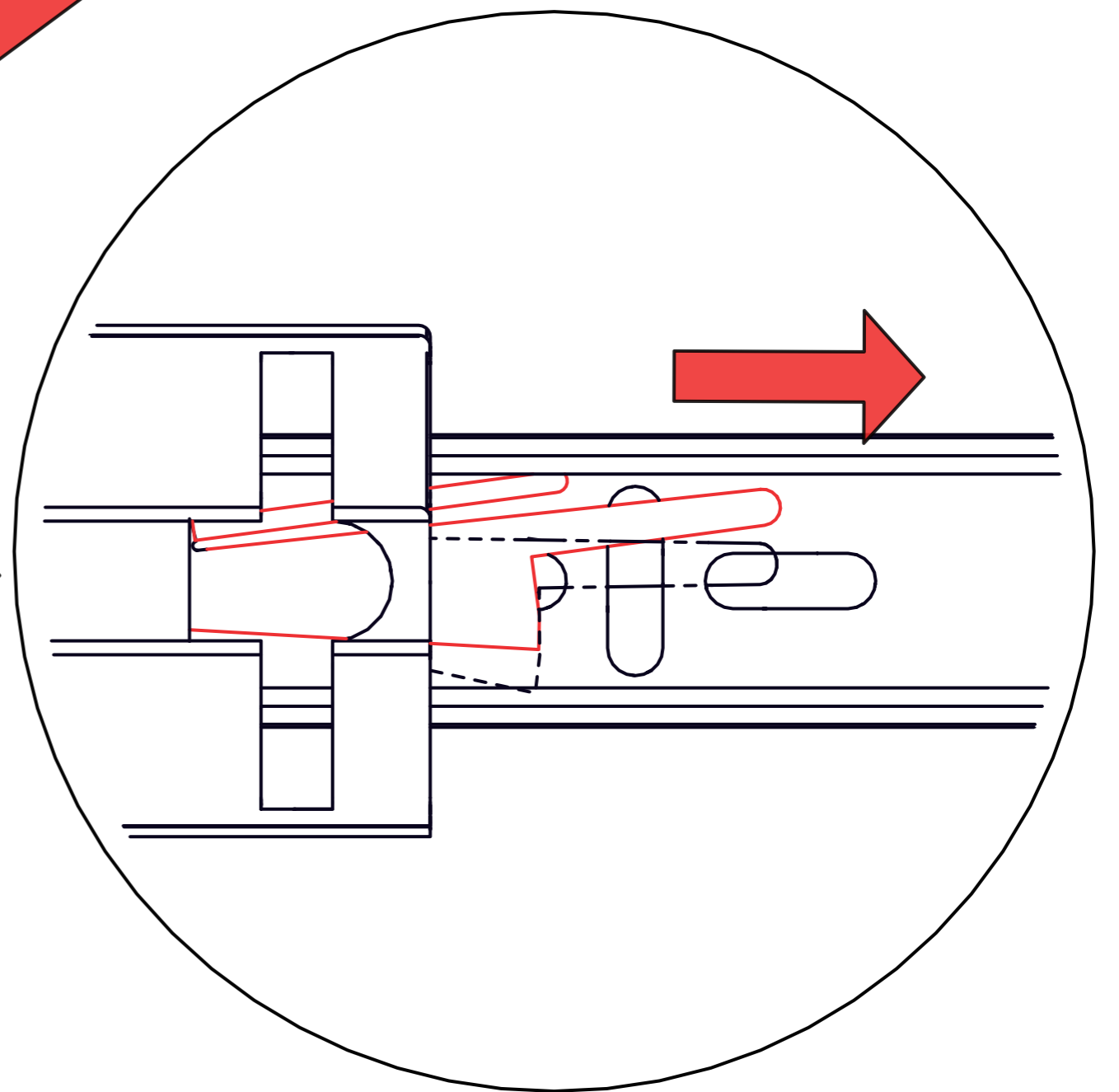
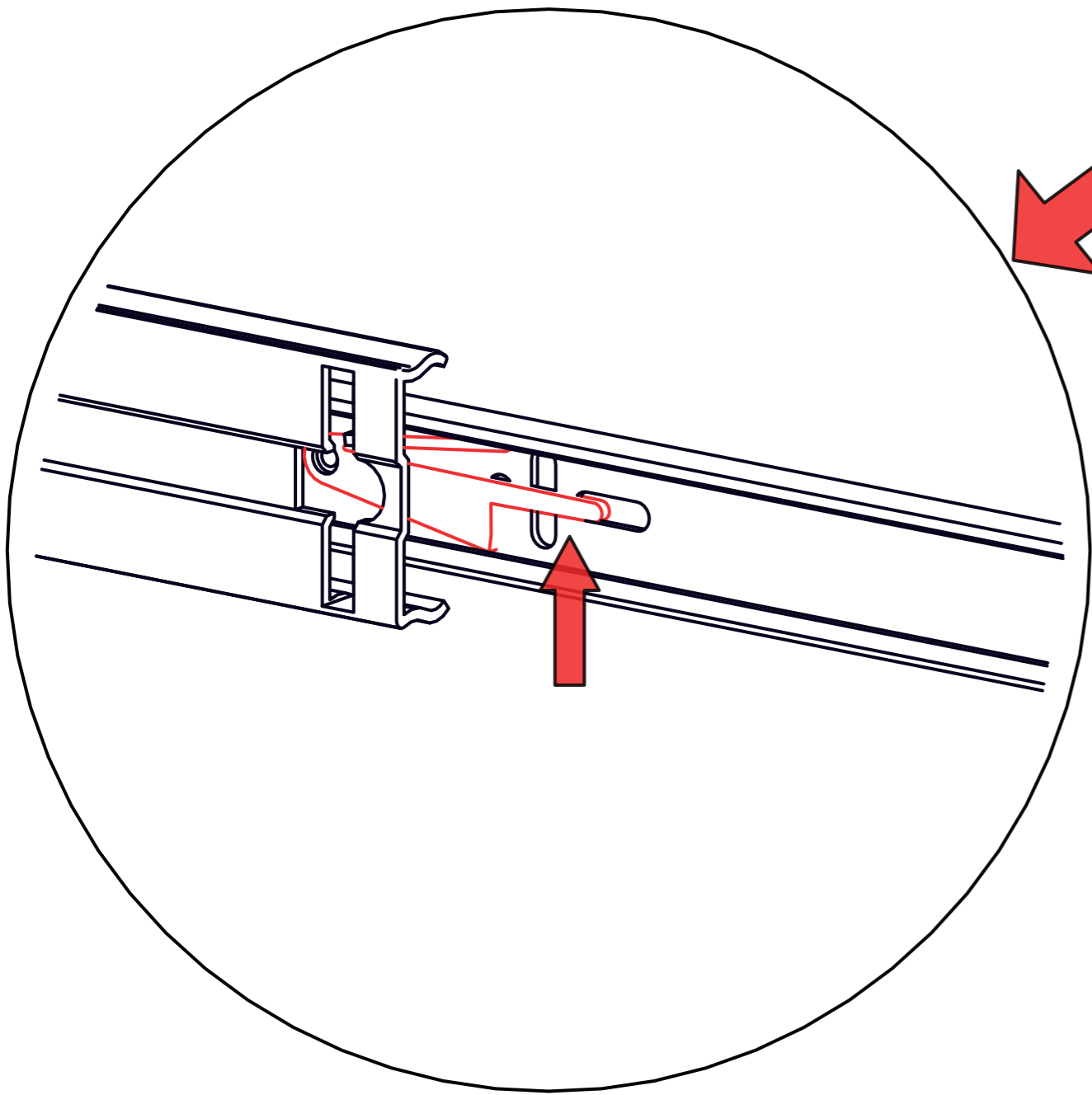
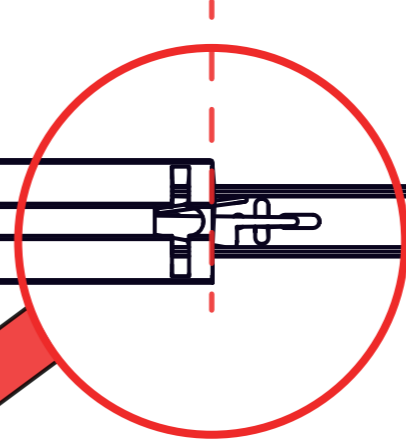
S



S.1



S.2



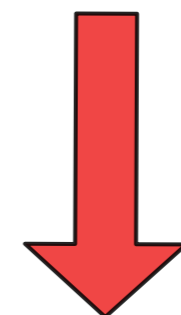
1. First, push the black lever upward.

2. Then, pull it out to the right (S.2)

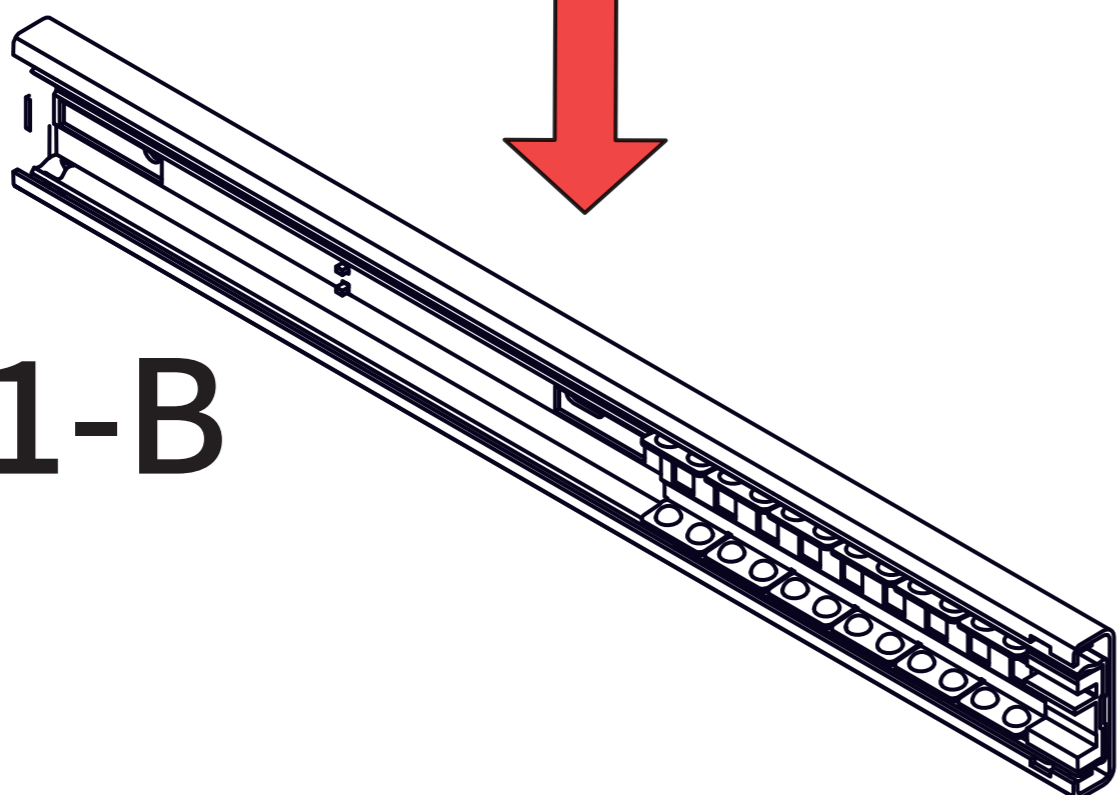
S.1-F



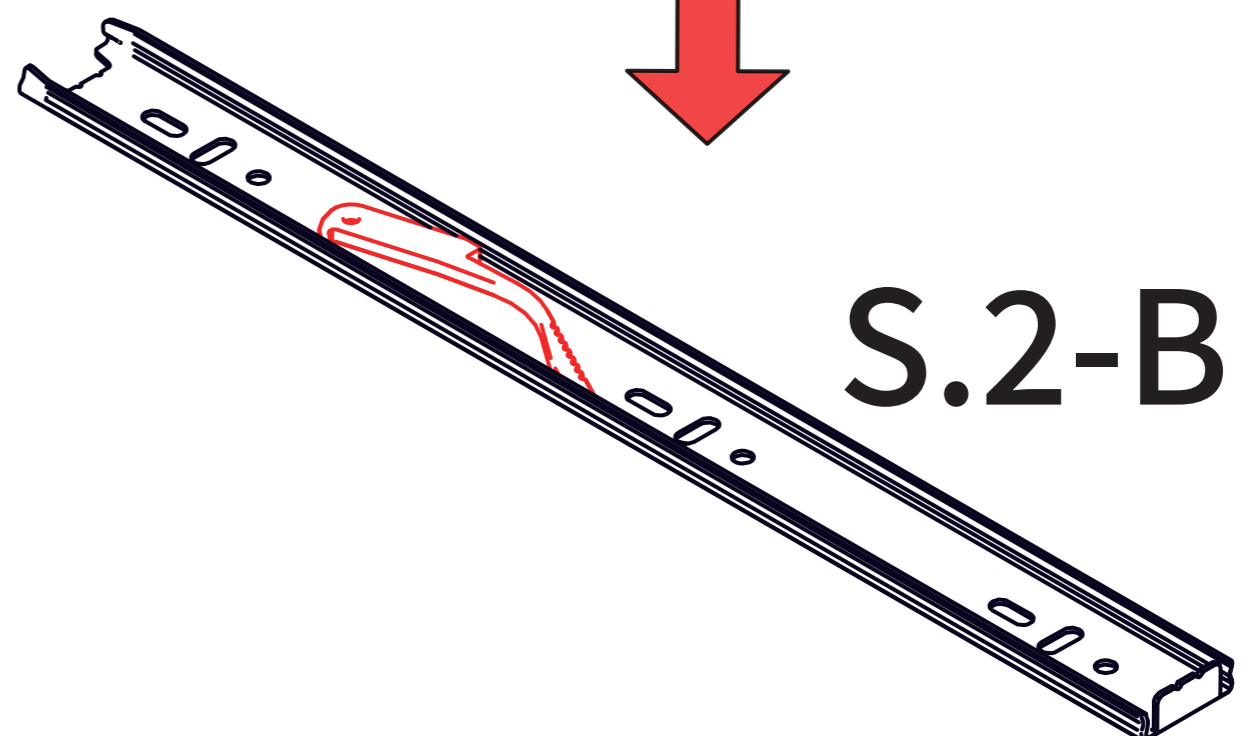
S.2-F



S.1-B

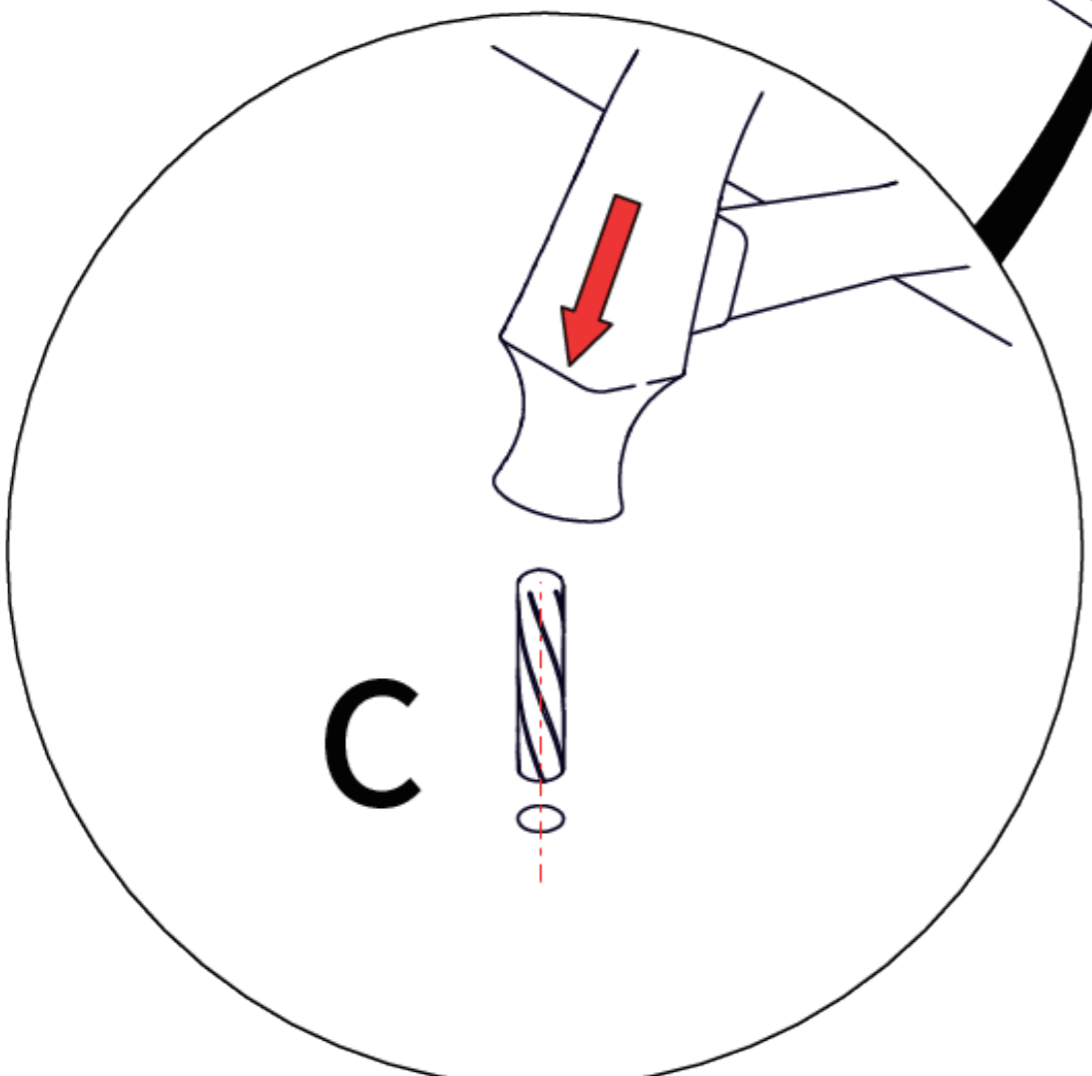
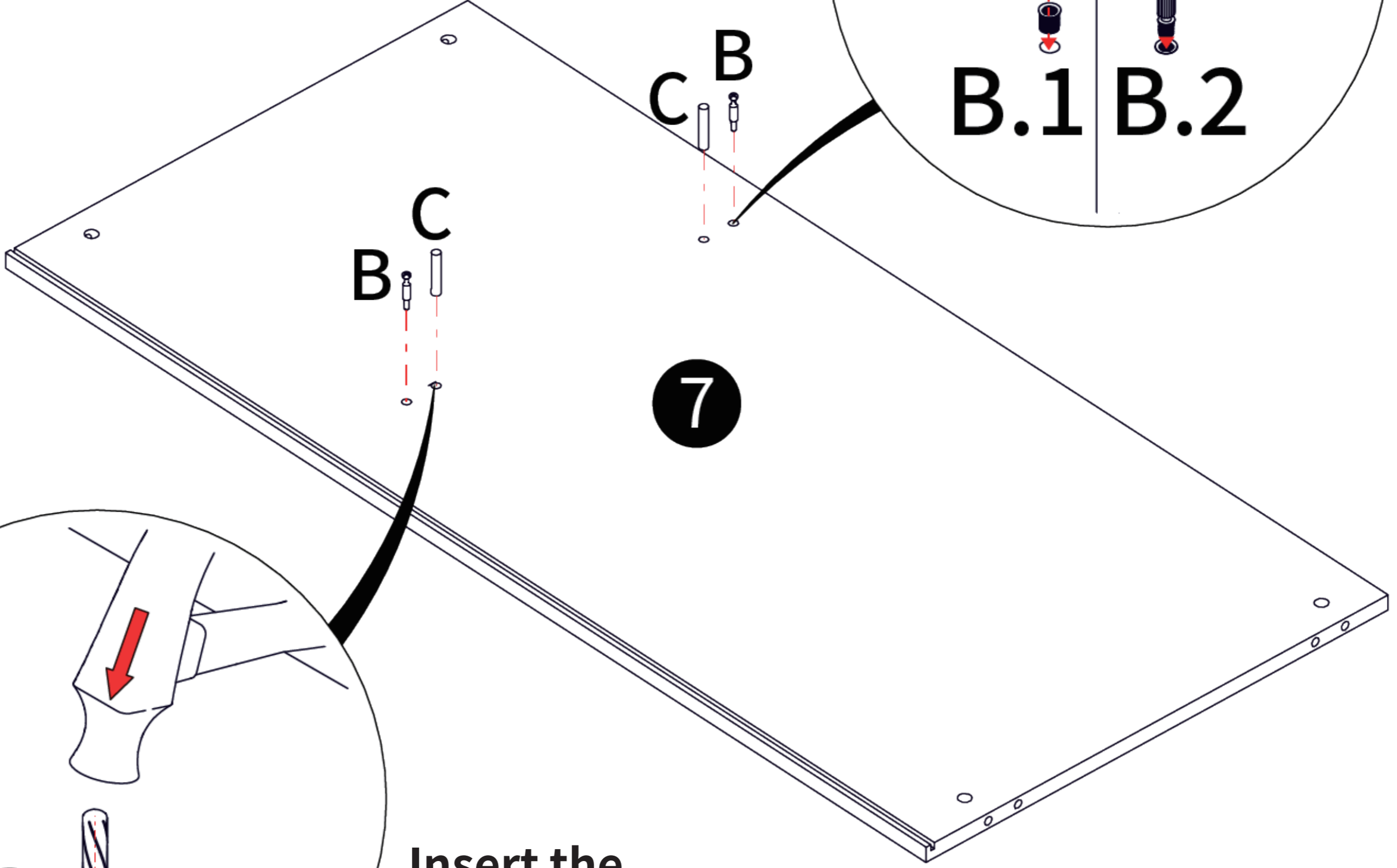
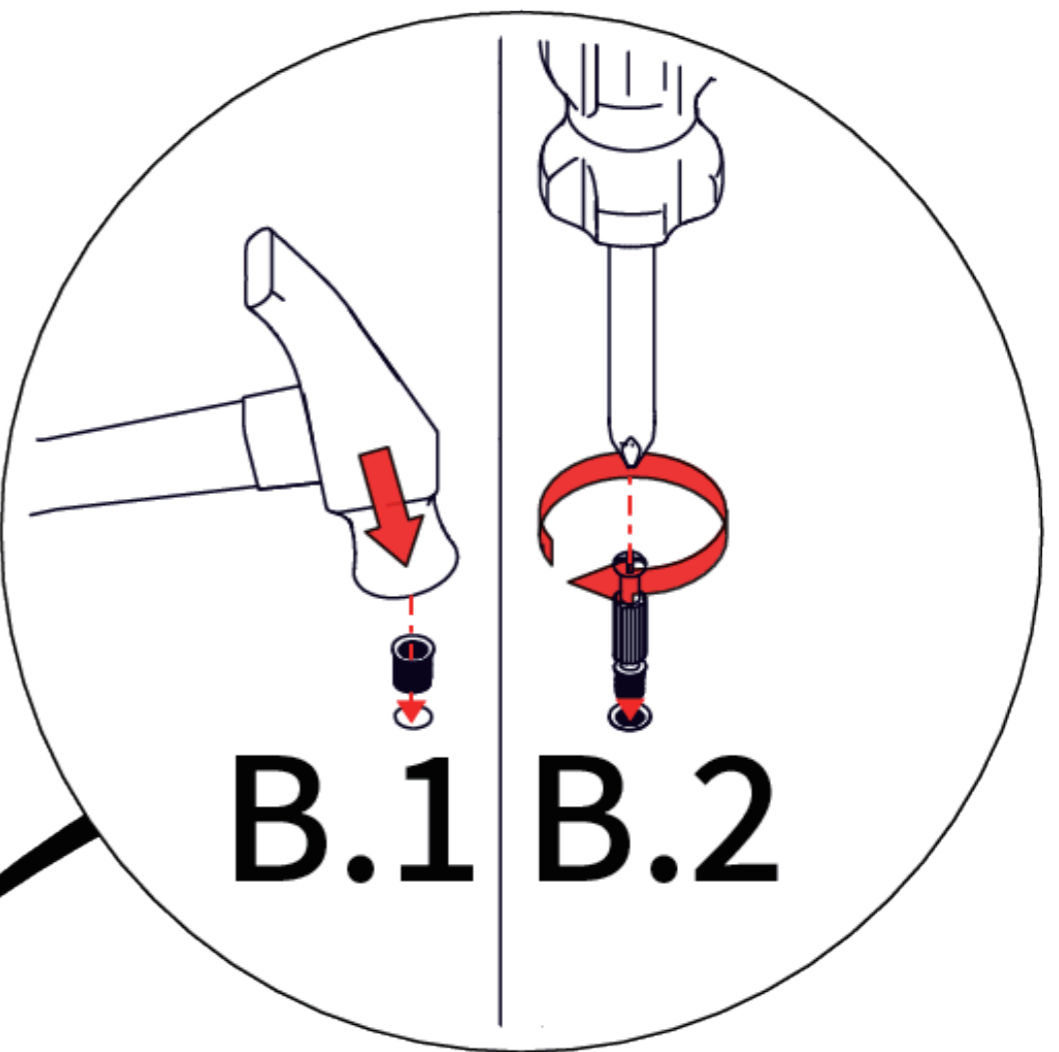


S.2-B

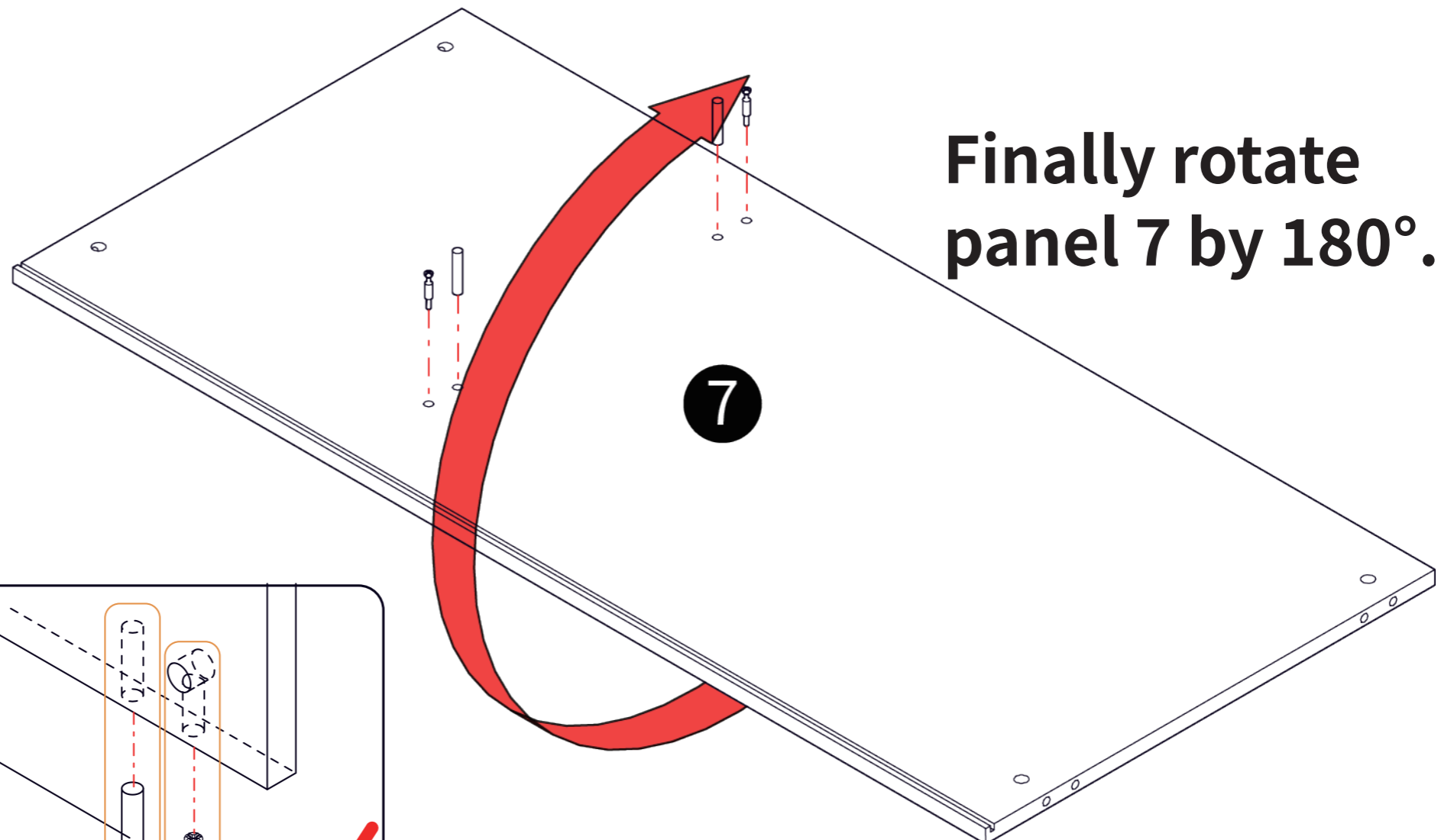


1

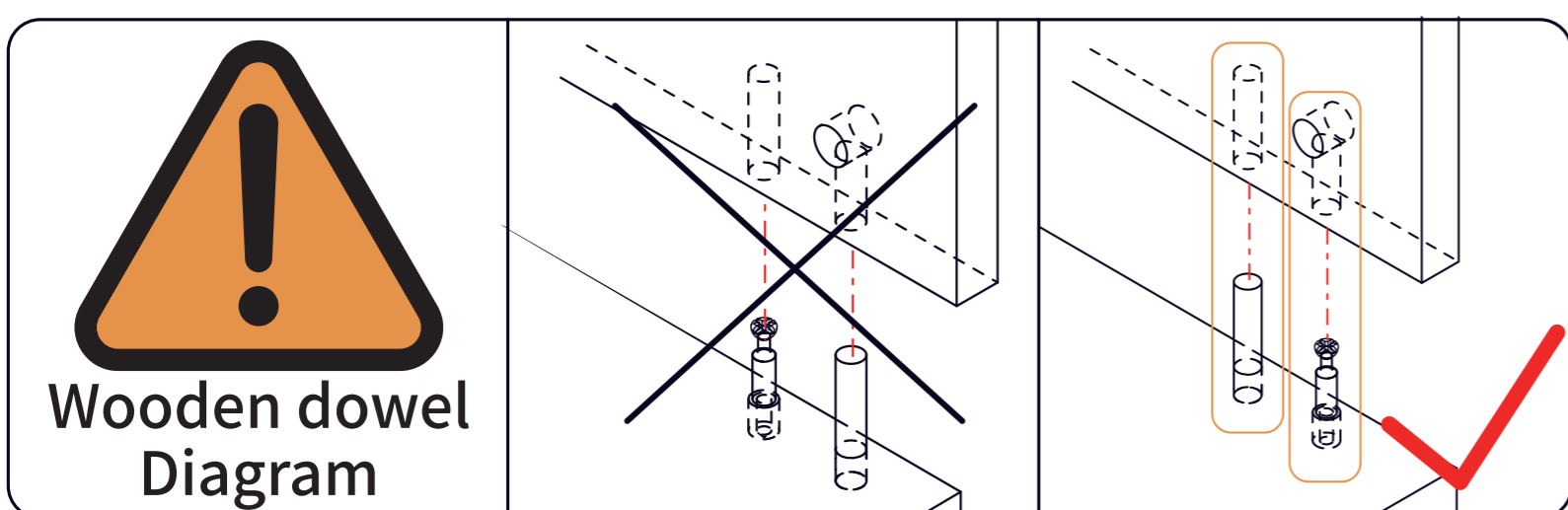
As shown in the illustration, tap the black Cam Nuts (B.1) into Panel 7 first, then use a screwdriver to screw the Cam bolts (B.2) into the black Cam Nuts.



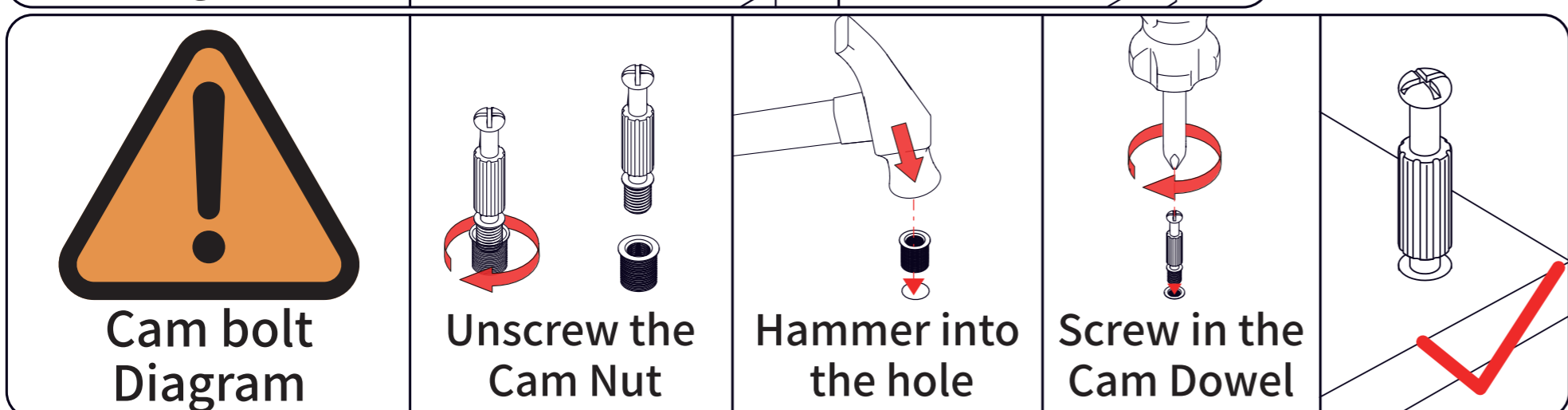
Insert the wooden dowel (C) into Panel 7.



Finally rotate panel 7 by 180°.



Wooden dowel Diagram

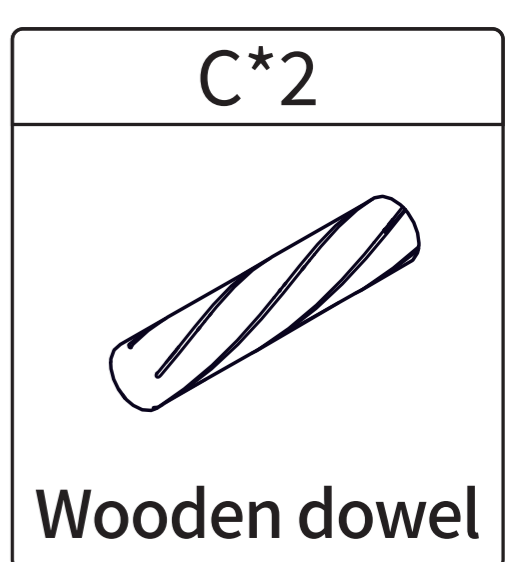
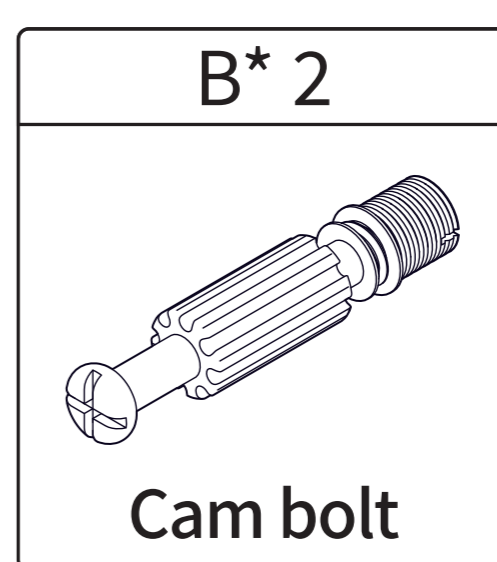


Cam bolt Diagram

Unscrew the Cam Nut

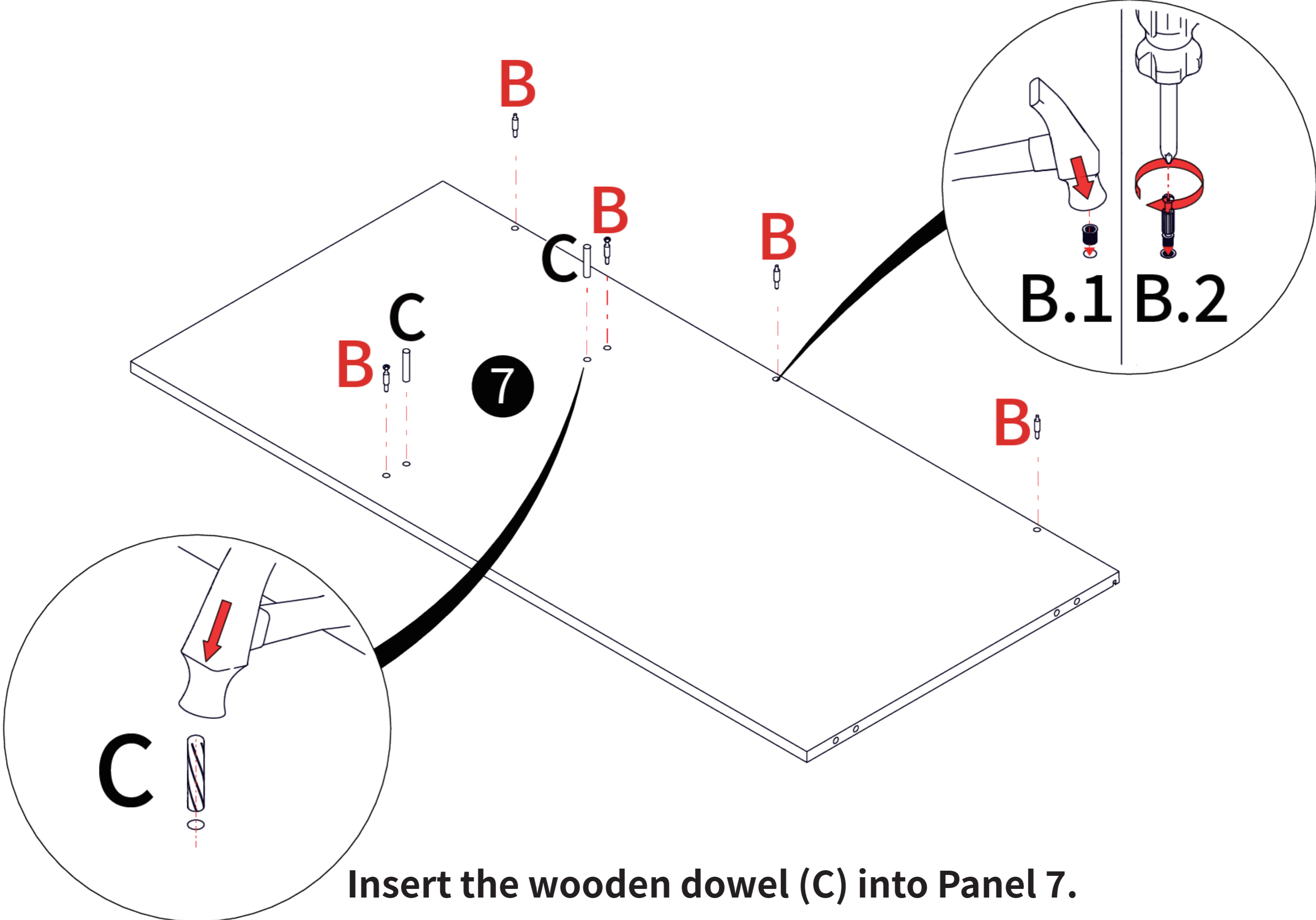
Hammer into the hole

Screw in the Cam Dowel

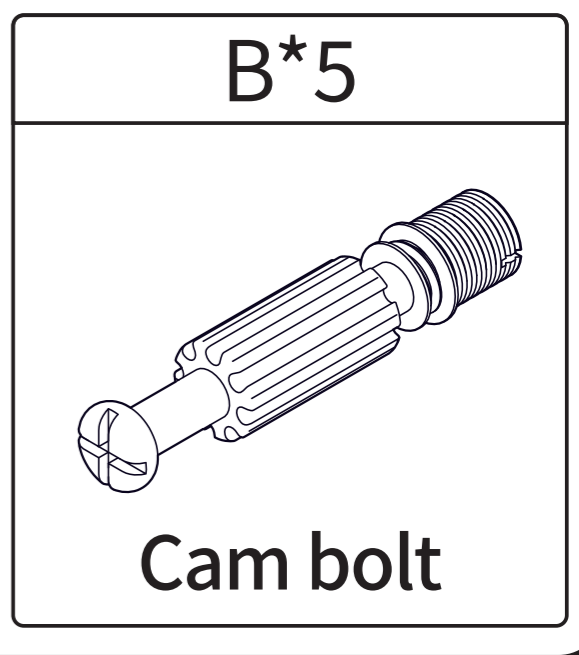
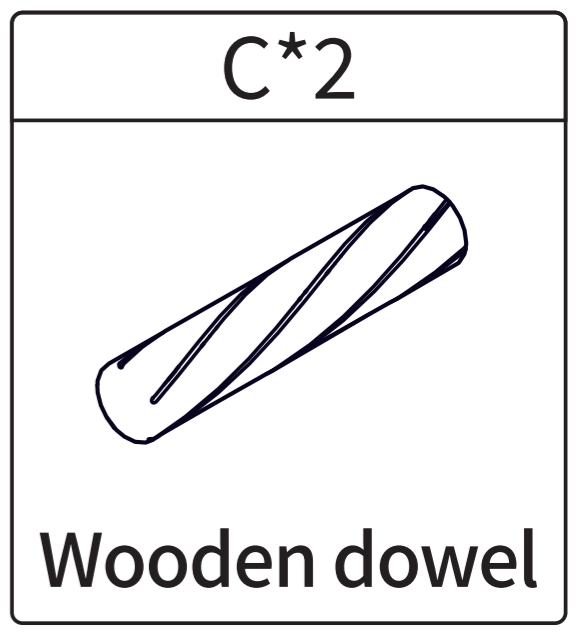
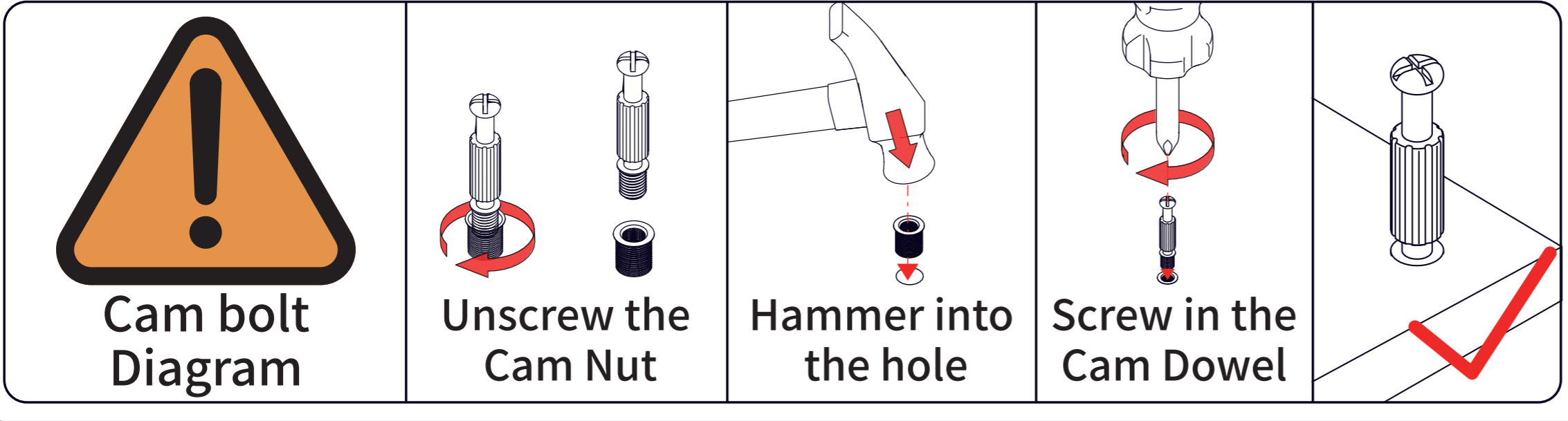
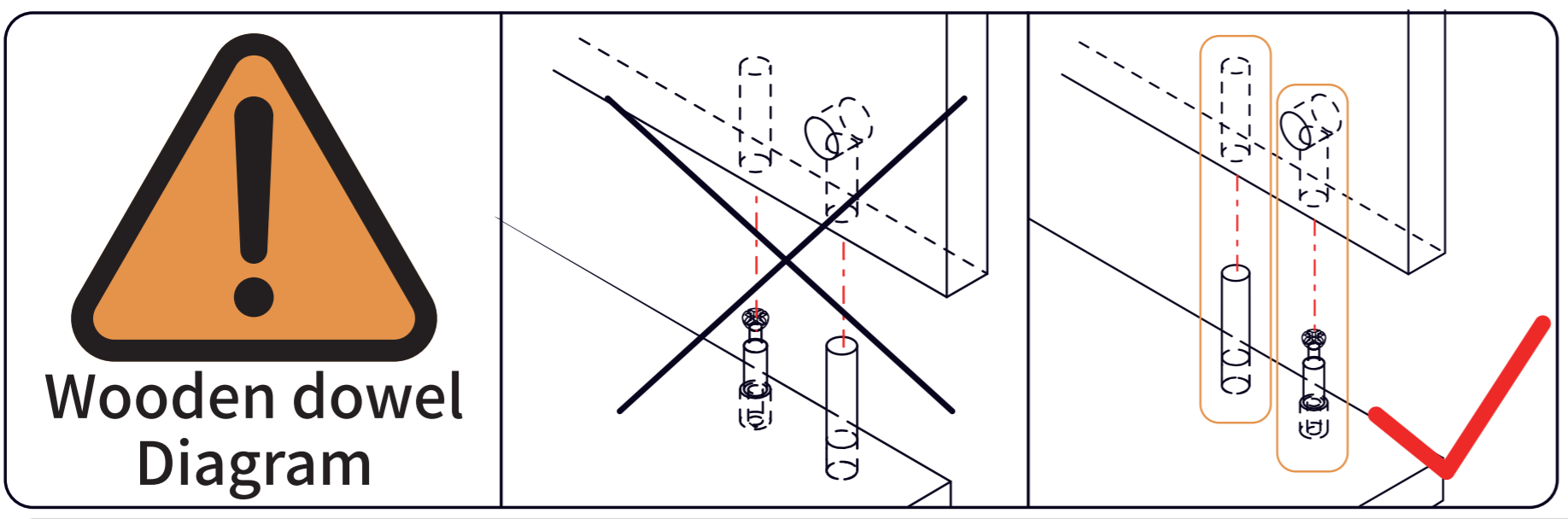


2

As shown in the illustration, tap the black Cam Nuts (B.1) into Panel 7 first, then use a screwdriver to screw the Cam bolts (B.2) into the black Cam Nuts.

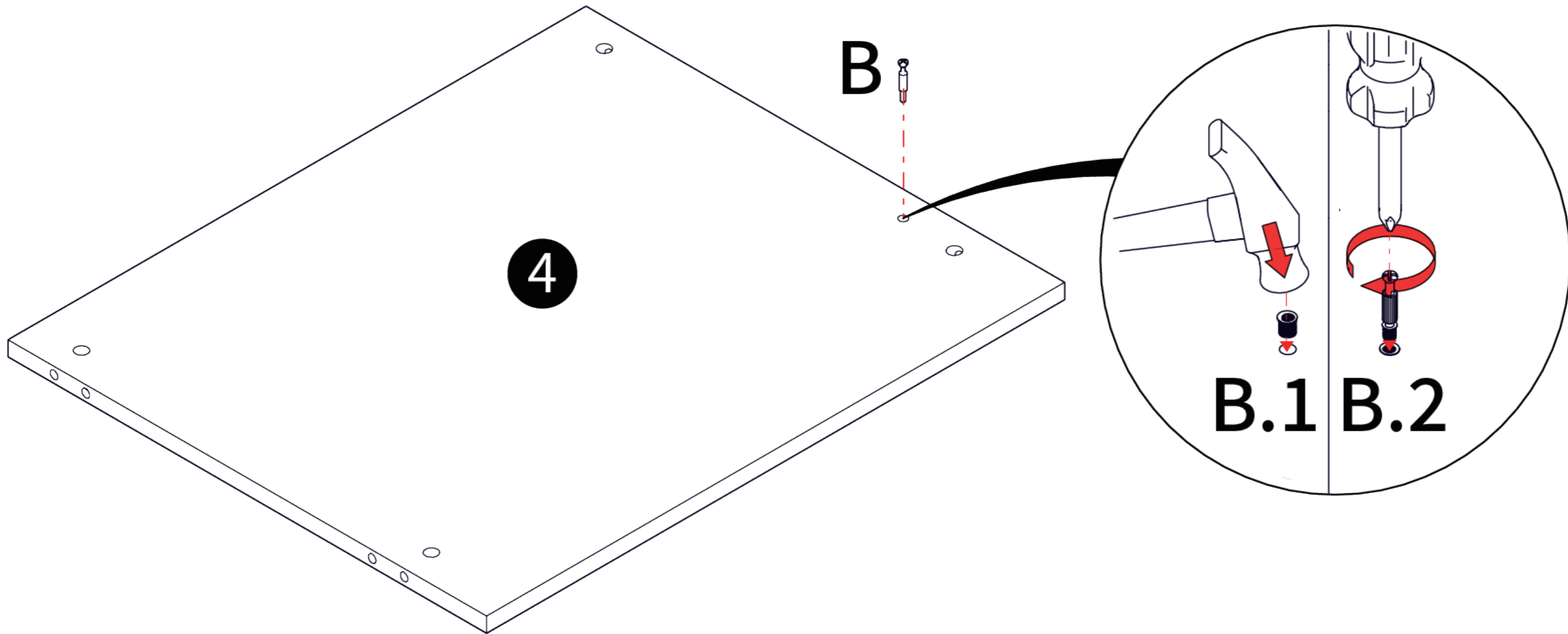


Insert the wooden dowel (C) into Panel 7.



3

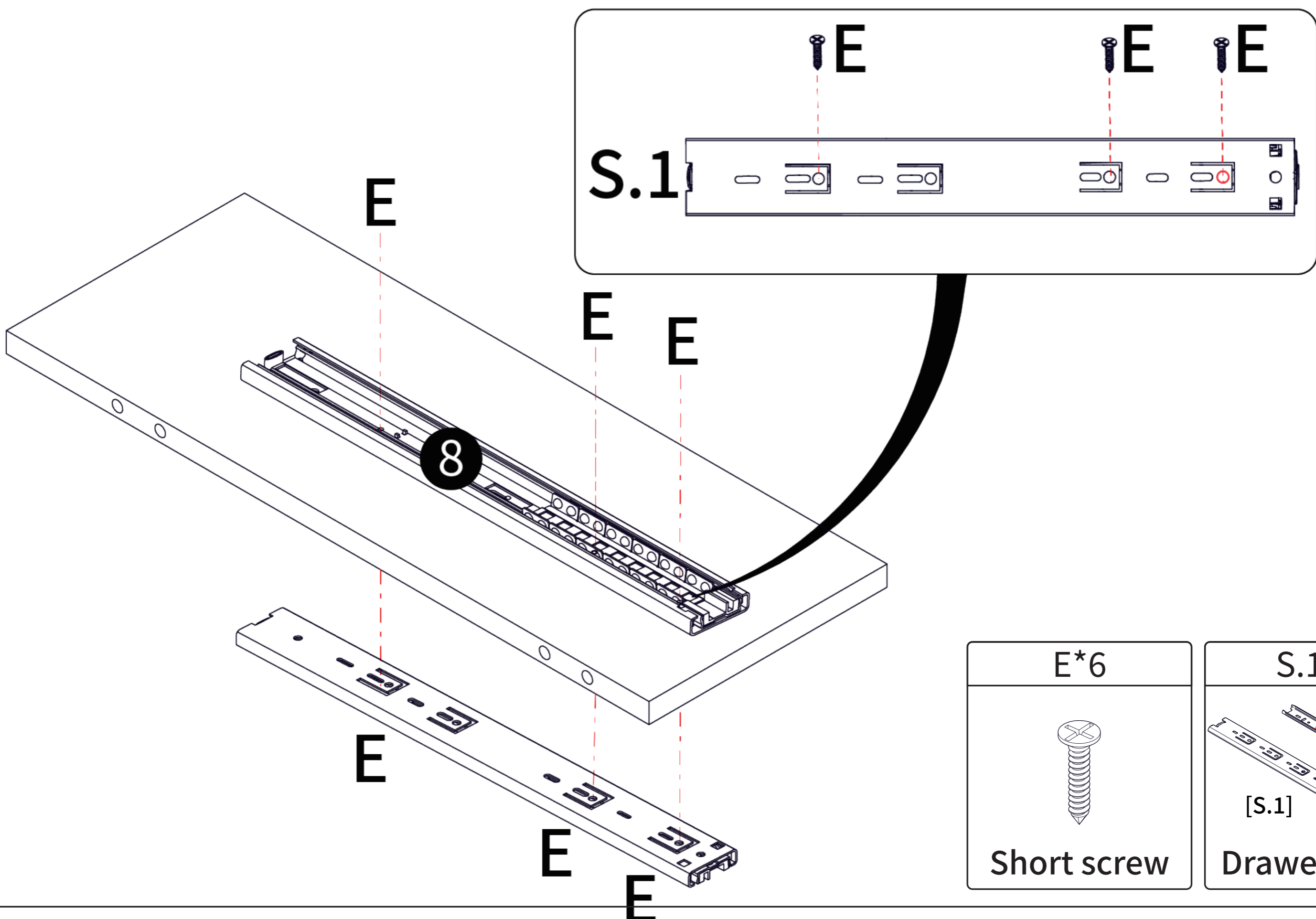
As shown in the illustration, tap the black Cam Nuts (B.1) into Panel 4 first, then use a screwdriver to screw the Cam bolts (B.2) into the black Cam Nuts.



<p>Cam bolt Diagram</p>	<p>Unscrew the Cam Nut</p>	<p>Hammer into the hole</p>	<p>Screw in the Cam Dowel</p>		<p>B*1</p> <p>Cam bolt</p>
-------------------------	----------------------------	-----------------------------	-------------------------------	--	----------------------------

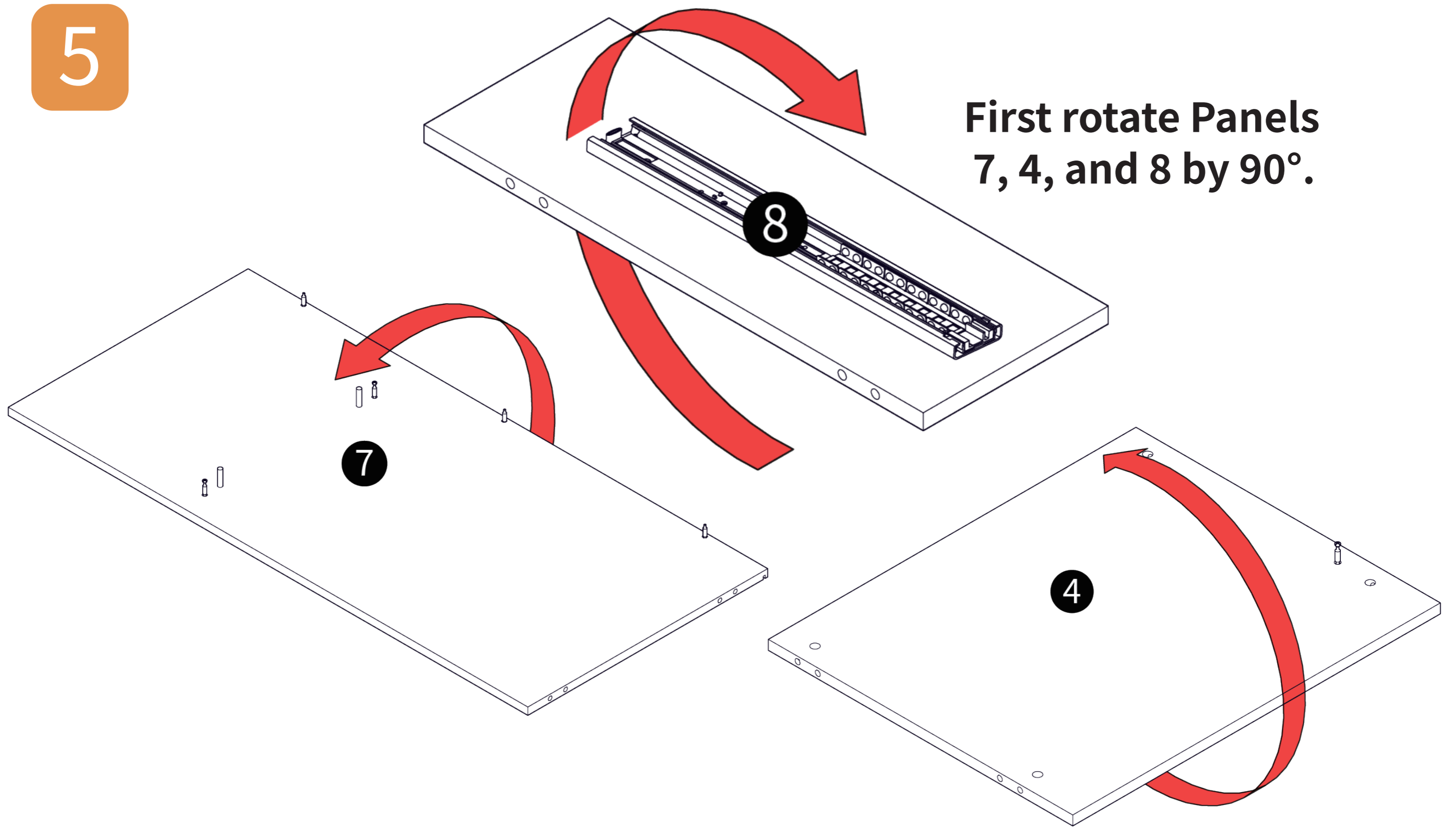
4

As shown in the illustration, use short screws (E) to align and fasten the Drawer Slide(S.1) to the pre-drilled holes on Panel 8.



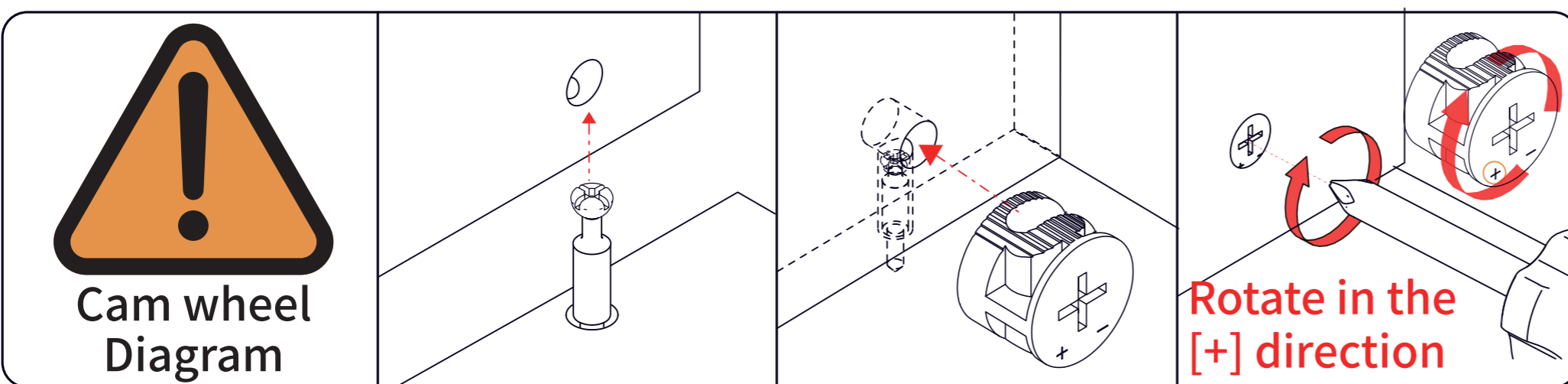
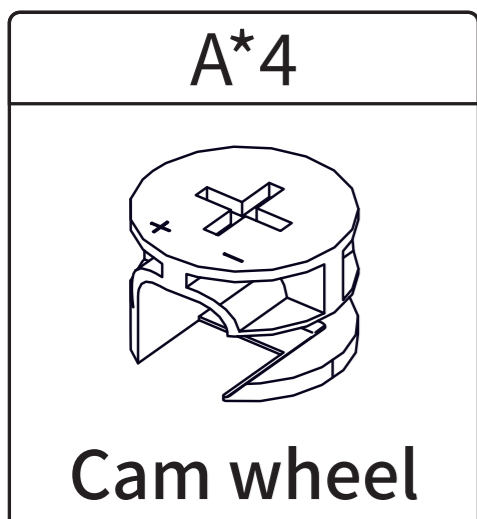
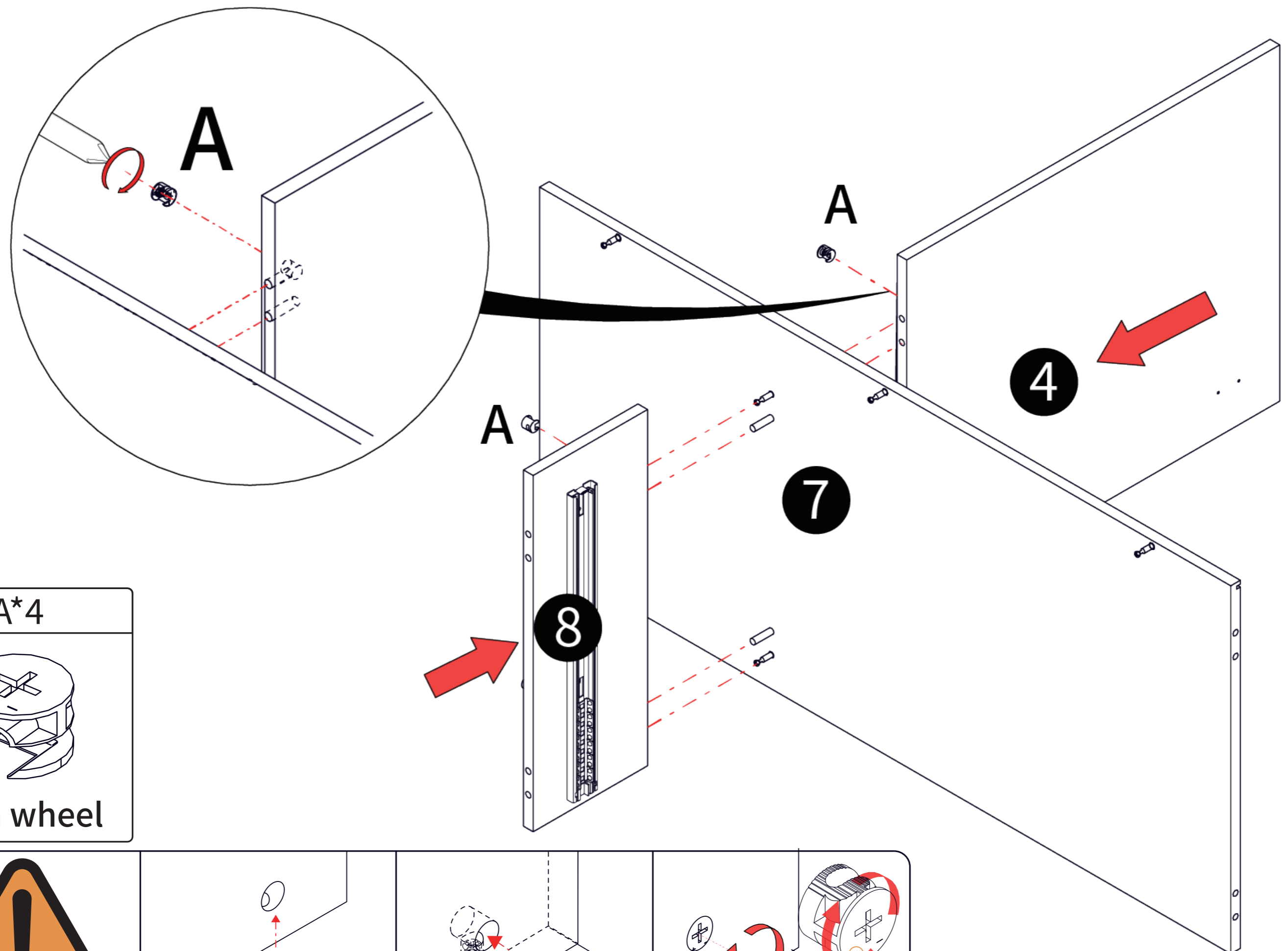
<p>E*6</p> <p>Short screw</p>	<p>S.1*2</p> <p>Drawer Slide</p>
-------------------------------	----------------------------------

5

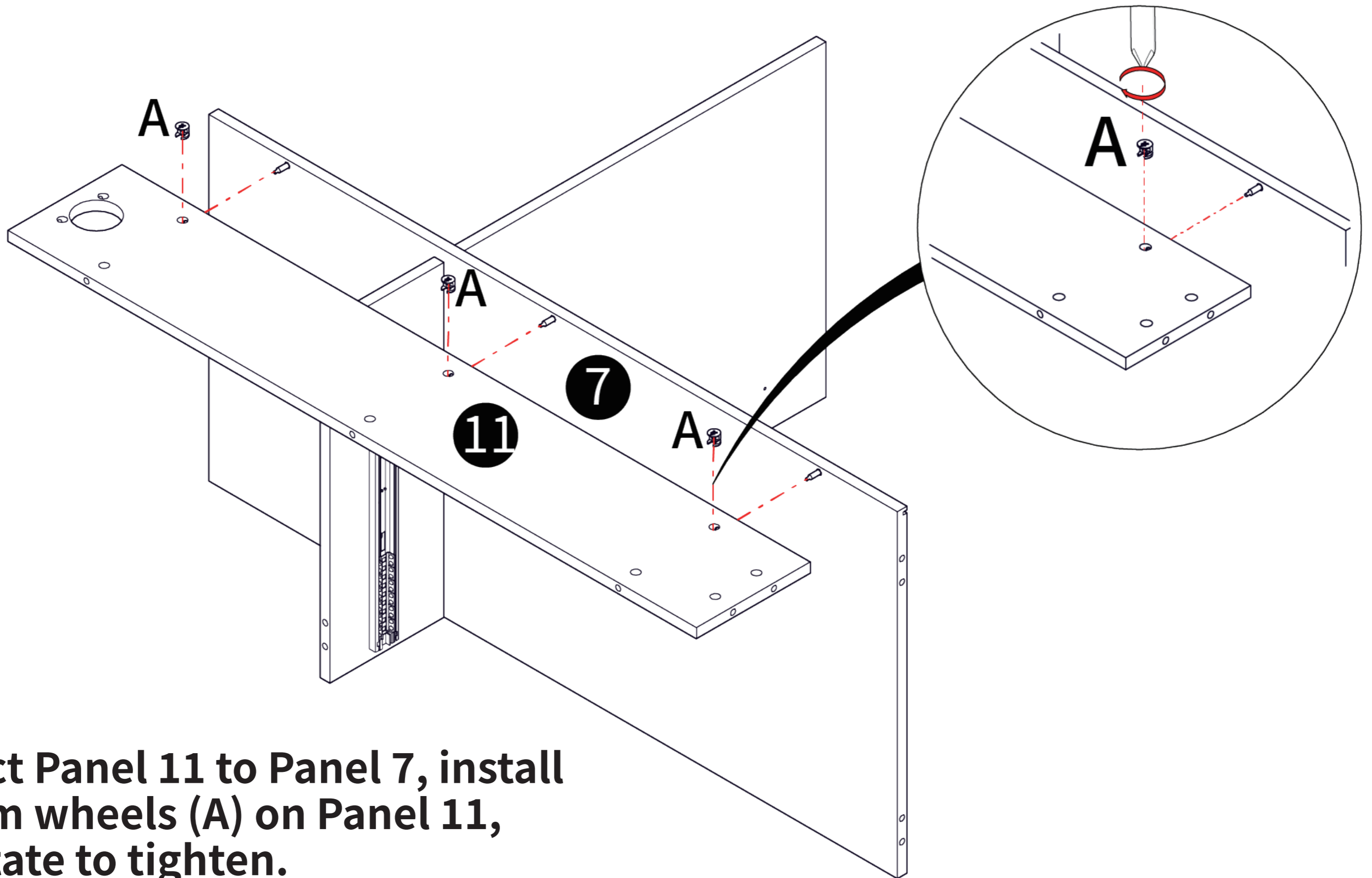


First rotate Panels 7, 4, and 8 by 90°.

Then connect Panels 4 and 8 to Panel 7, install the Cam wheels (A) on Panels 4 and 8, and rotate to tighten.



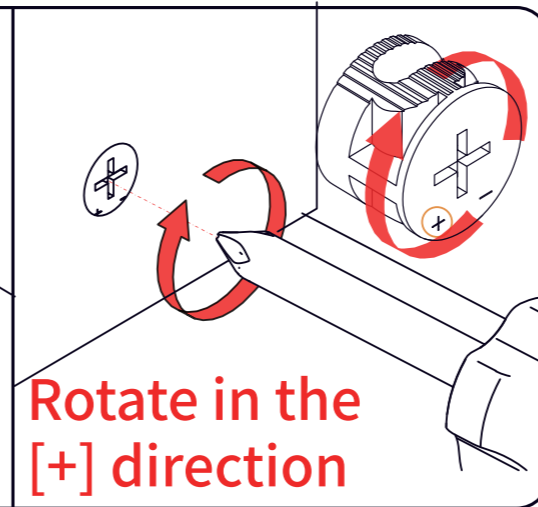
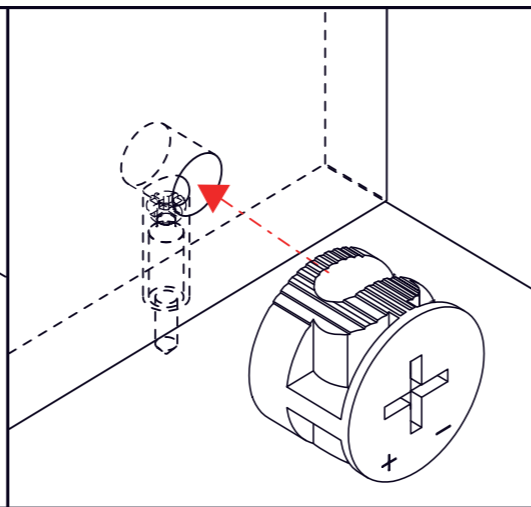
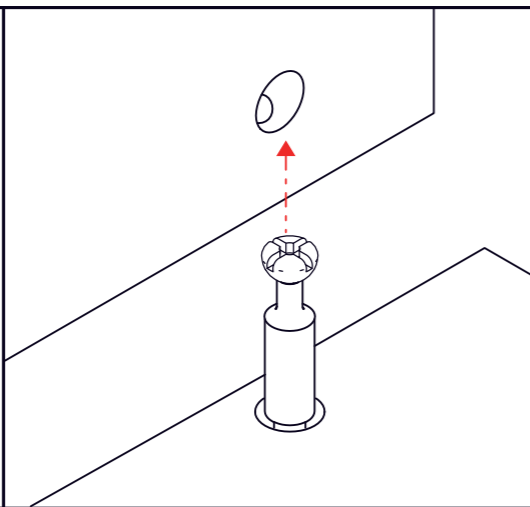
6



Connect Panel 11 to Panel 7, install the Cam wheels (A) on Panel 11, and rotate to tighten.

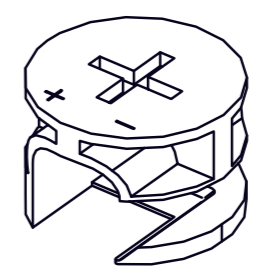


Cam wheel Diagram



Rotate in the [+]
direction

A*3

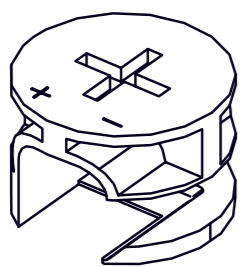


Cam wheel

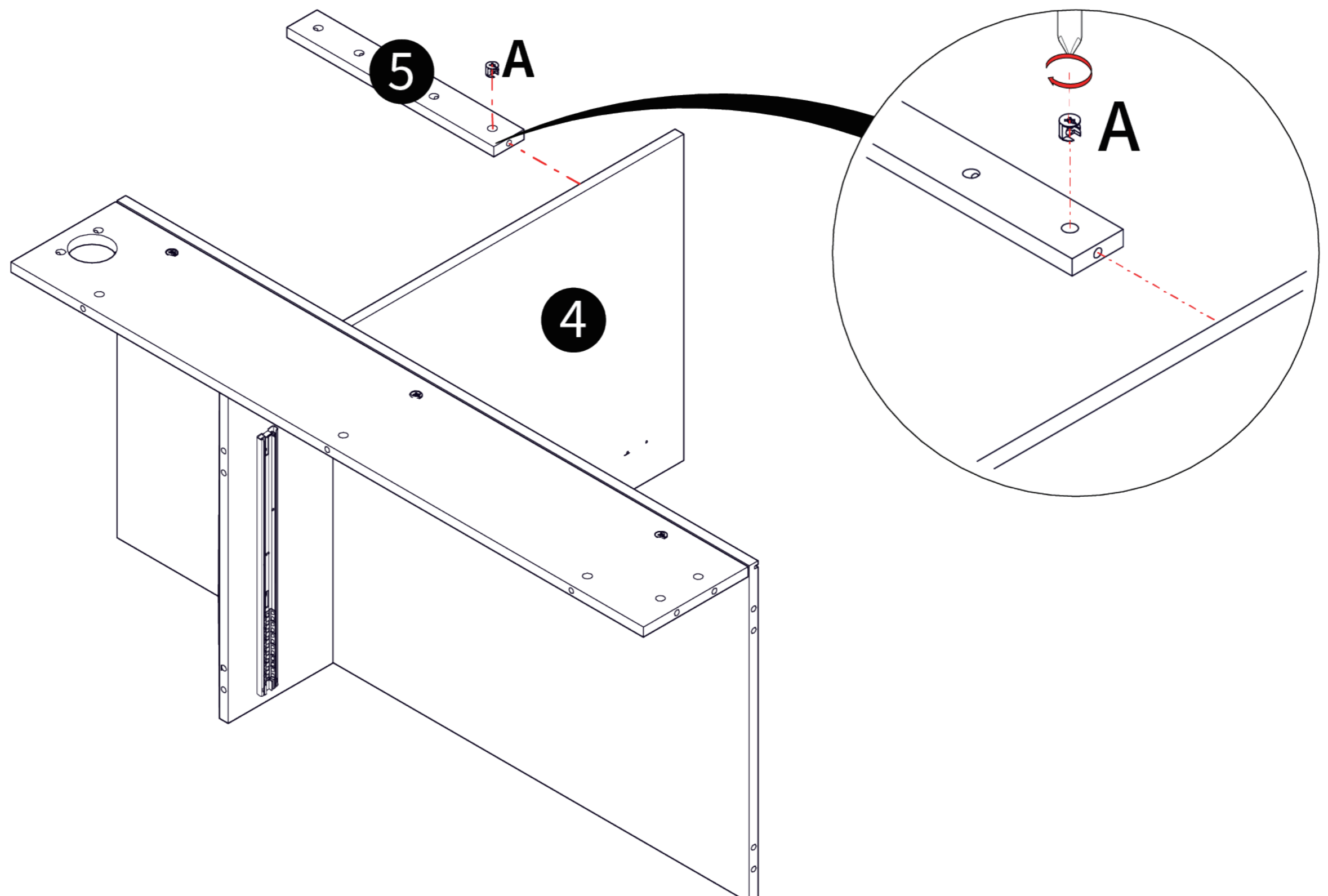
7

Connect Panel 5 to Panel 4, install the Cam wheel (A) on Panel 5, and rotate to tighten.

A*1

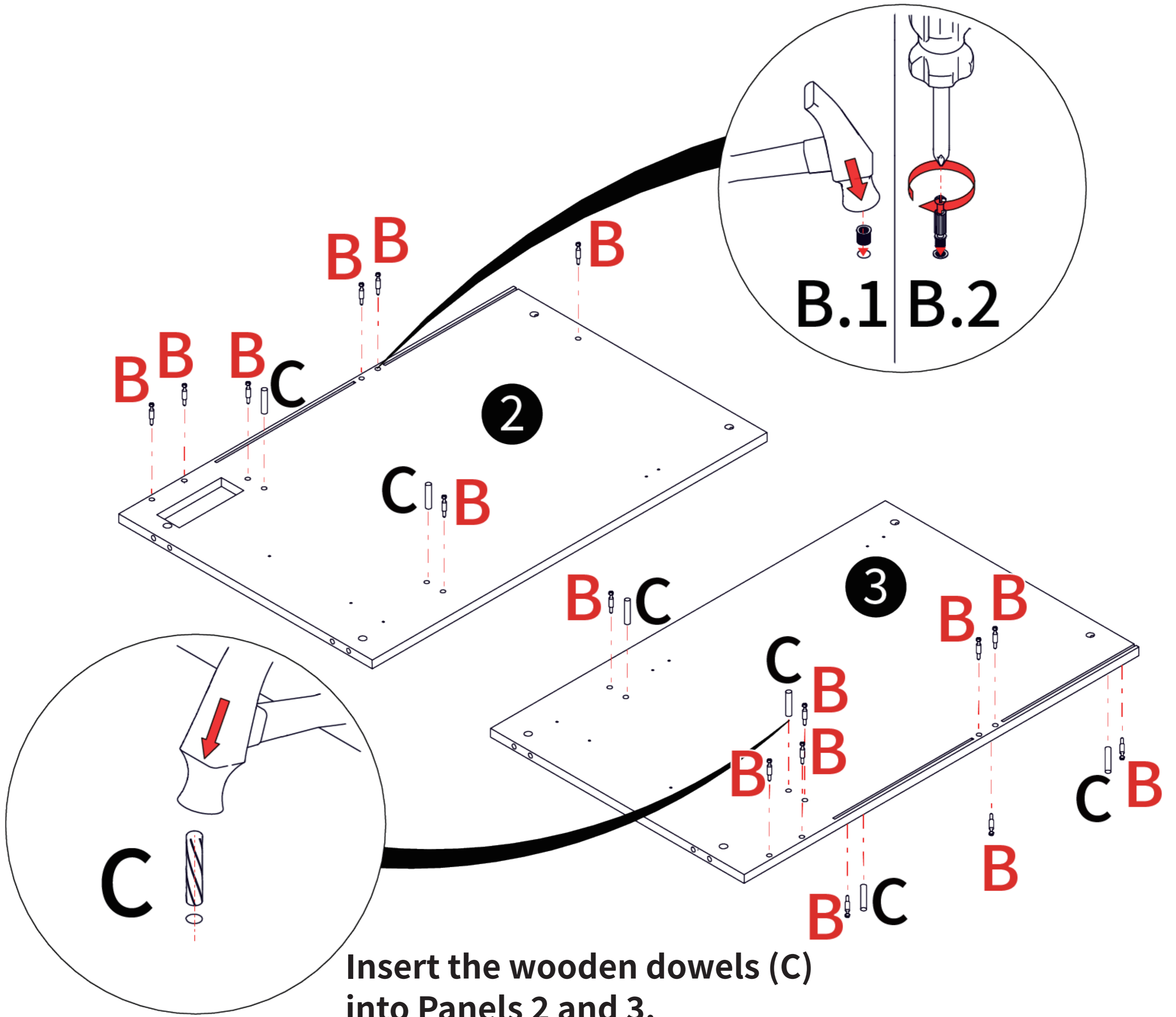


Cam wheel

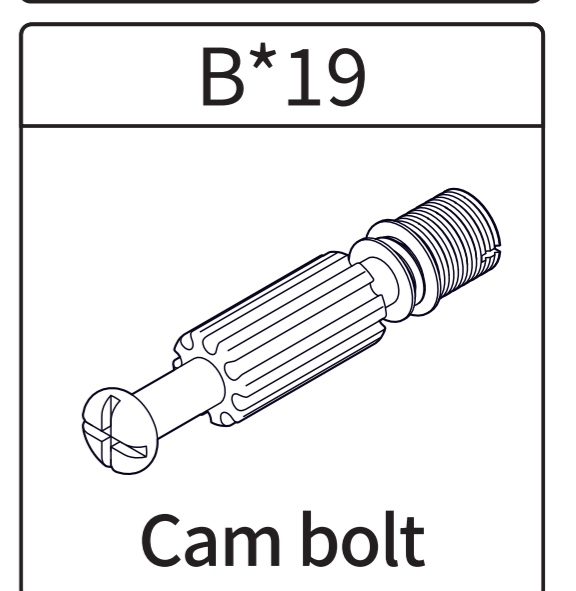
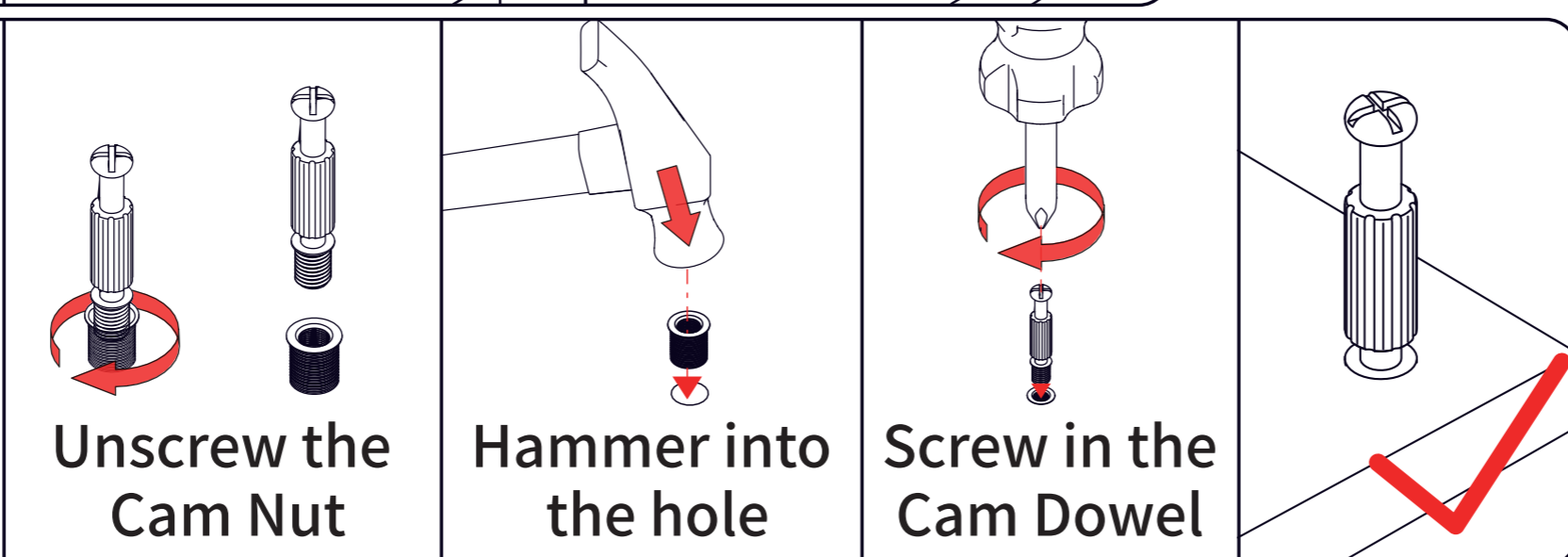
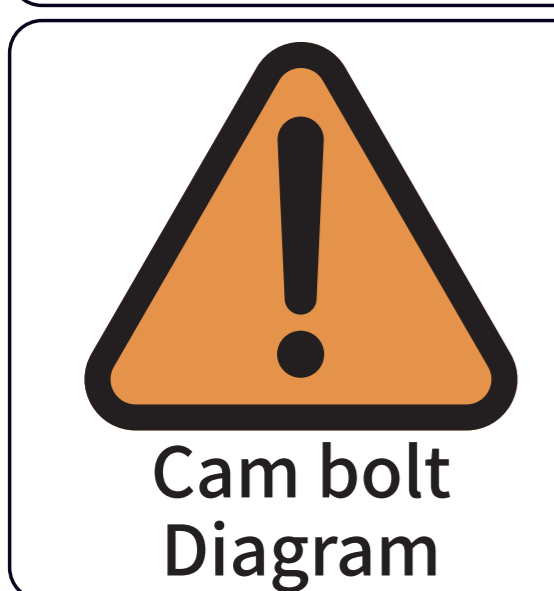
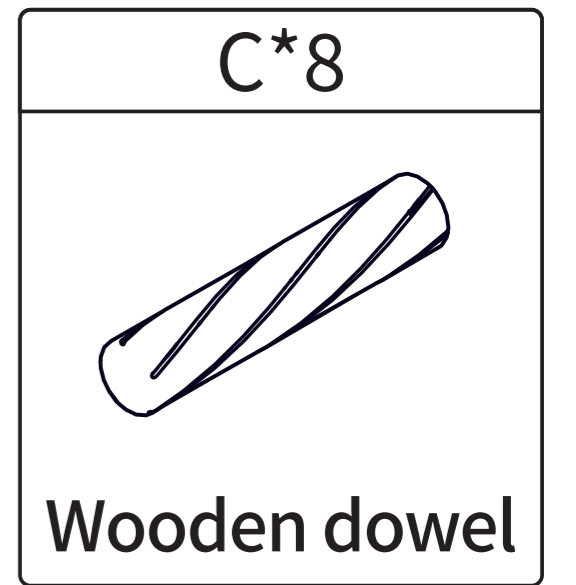
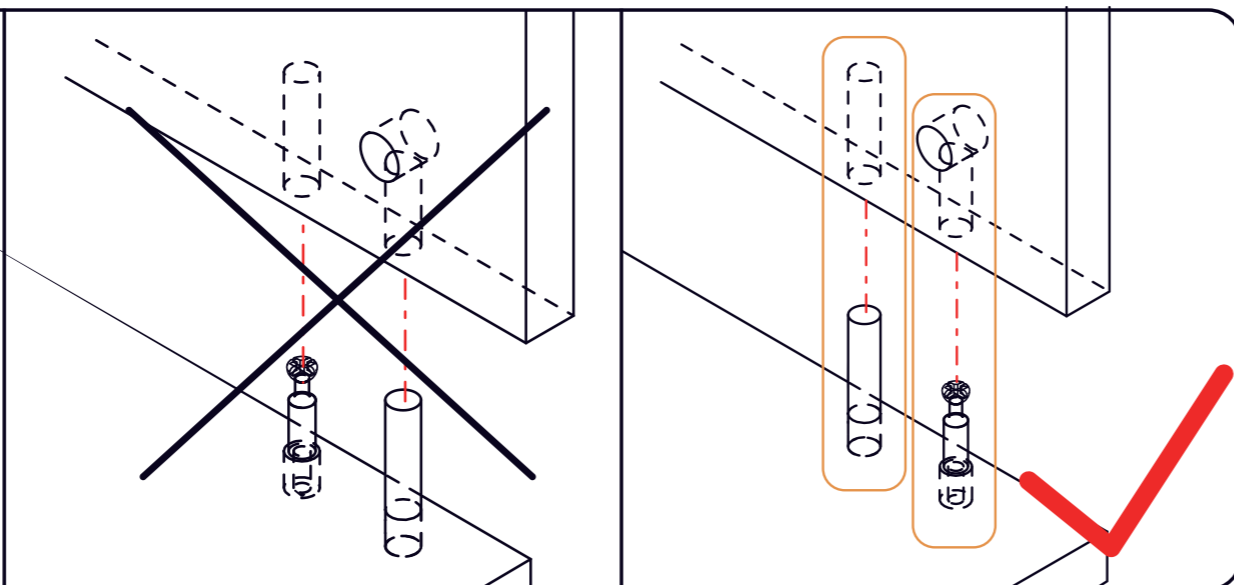


8

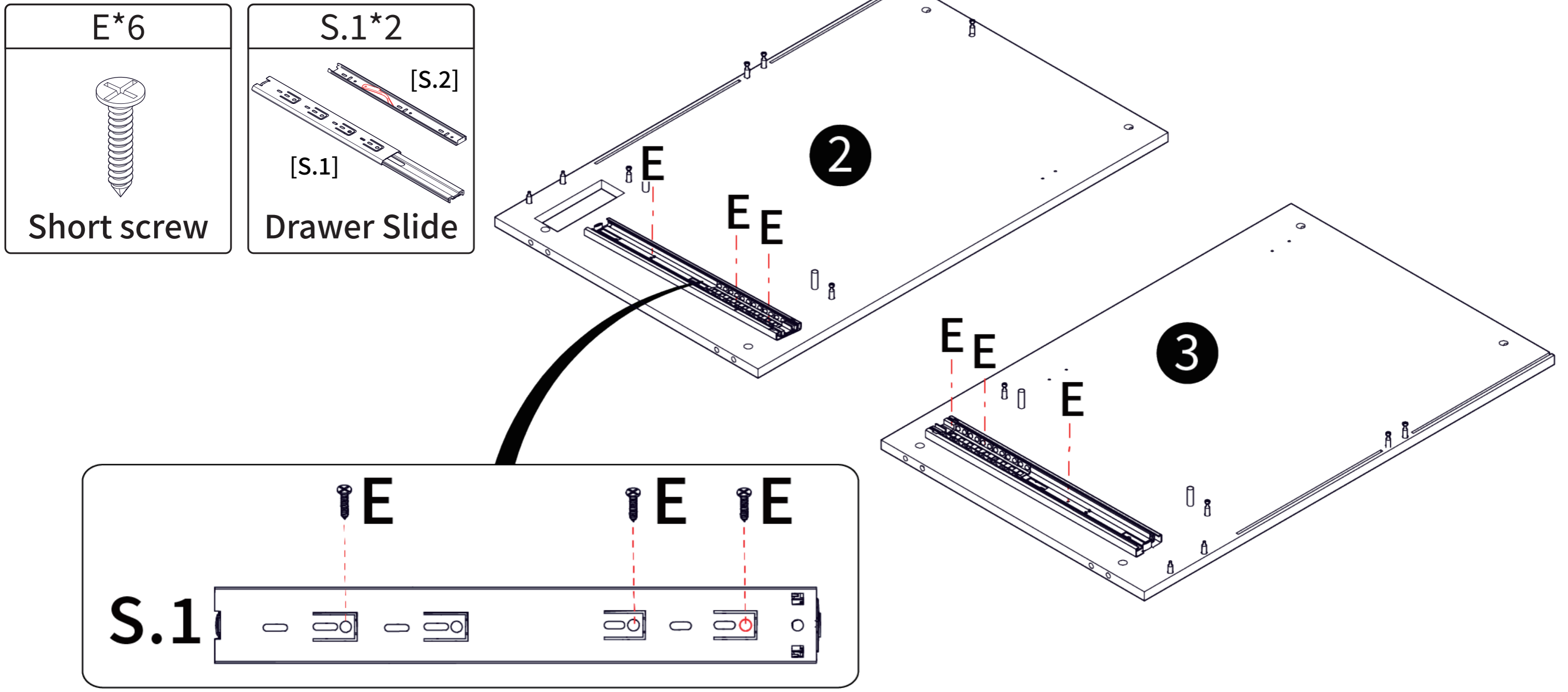
As shown in the illustration, tap the black Cam Nuts (B.1) into Panels 2 and 3 first, then use a screwdriver to screw the Cam bolts (B.2) into the black Cam Nuts.



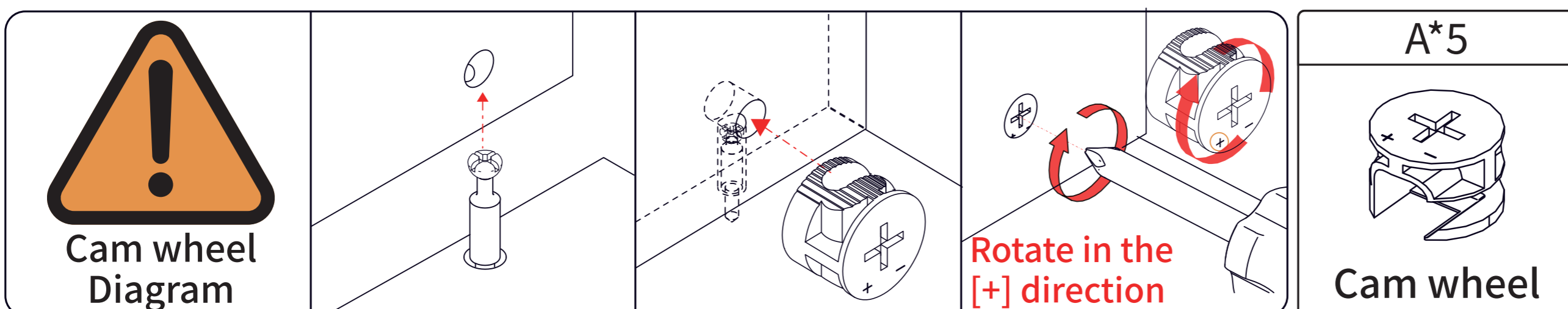
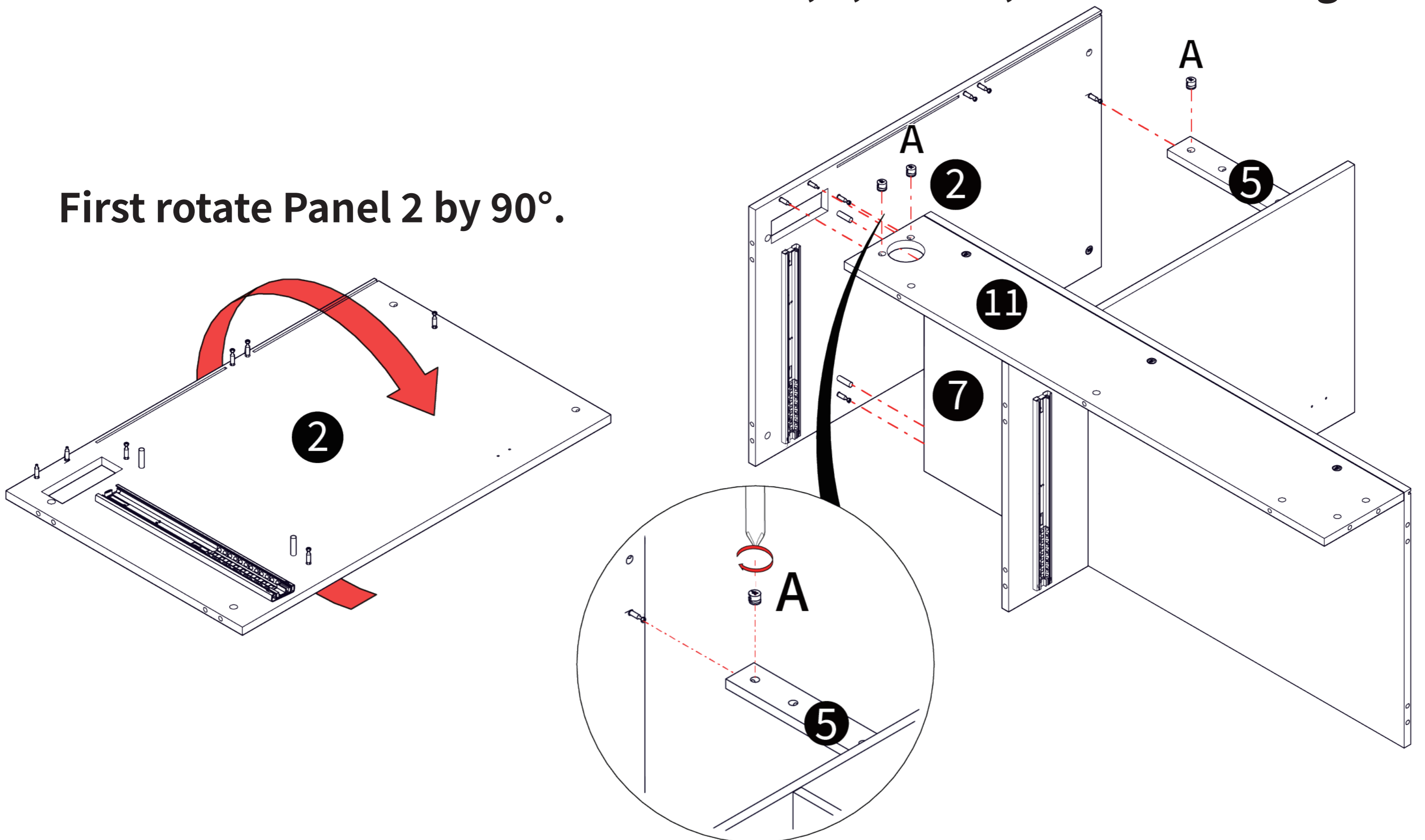
Insert the wooden dowels (C) into Panels 2 and 3.



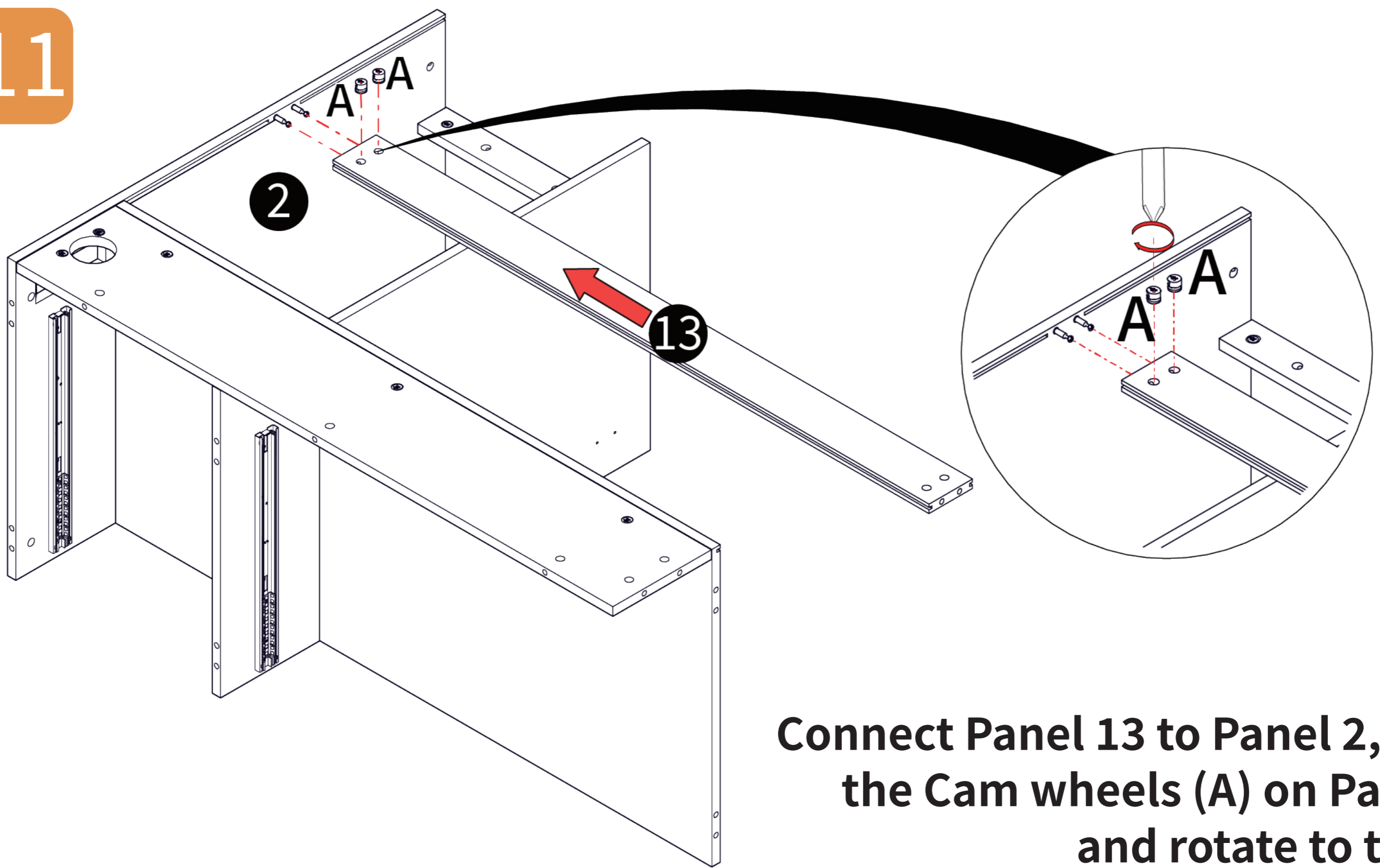
9 As shown in the illustration, use short screws (E) to align and fasten the Drawer Slides (S.1) to the pre-drilled holes on Panels 2 and 3.



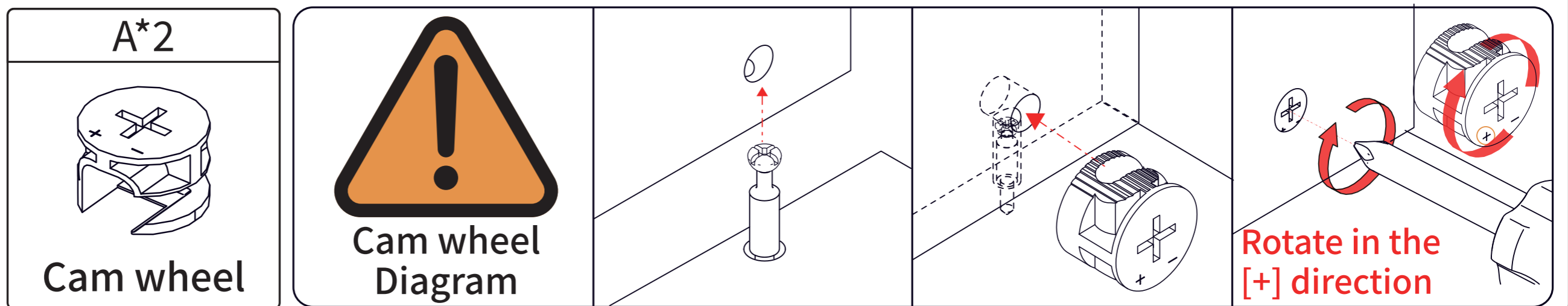
10 Connect Panel 2 to Panels 5, 7, and 11, install the Cam wheels (A) on Panels 5, 7, and 11, and rotate to tighten.



11

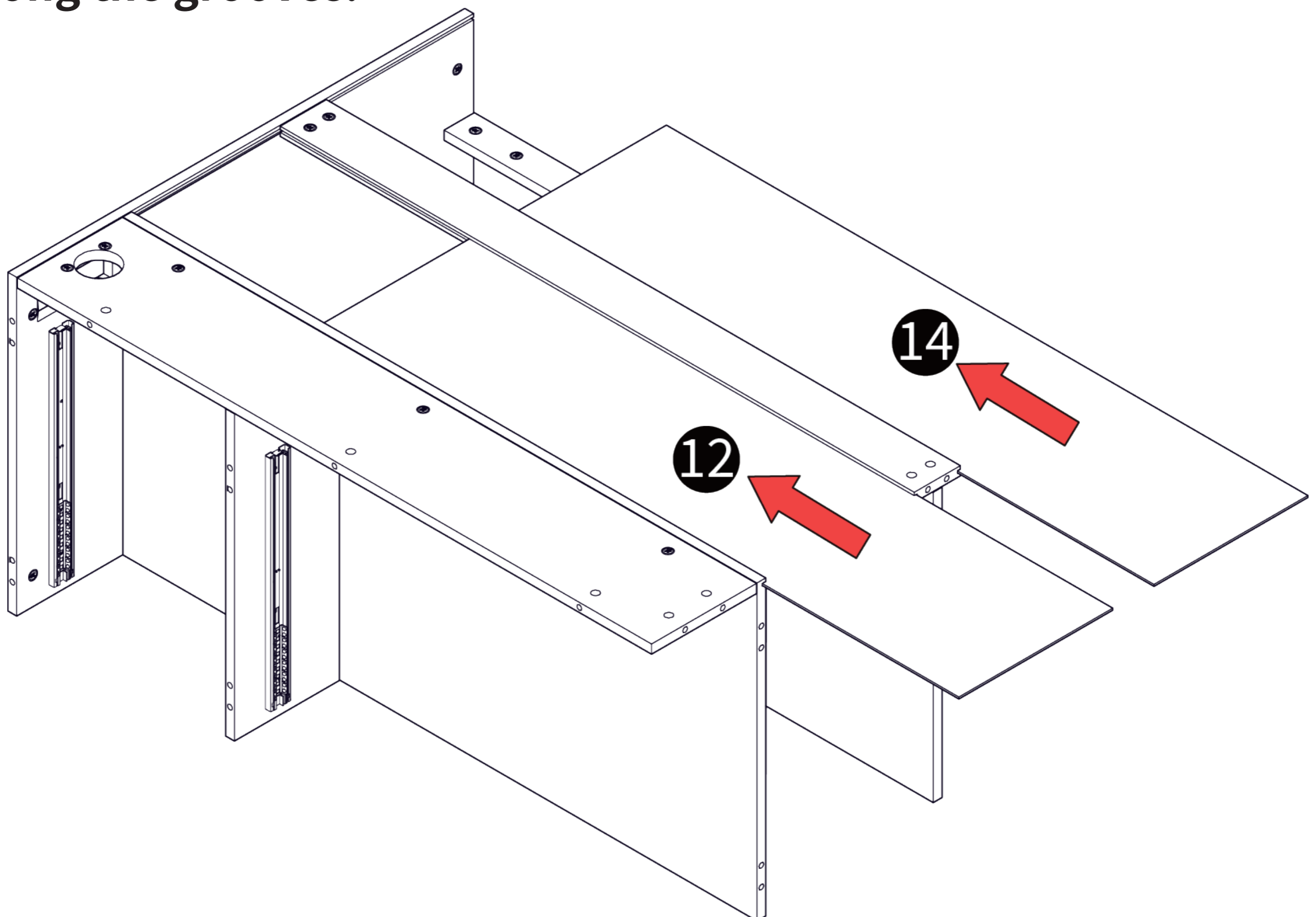


Connect Panel 13 to Panel 2, install the Cam wheels (A) on Panel 13, and rotate to tighten.



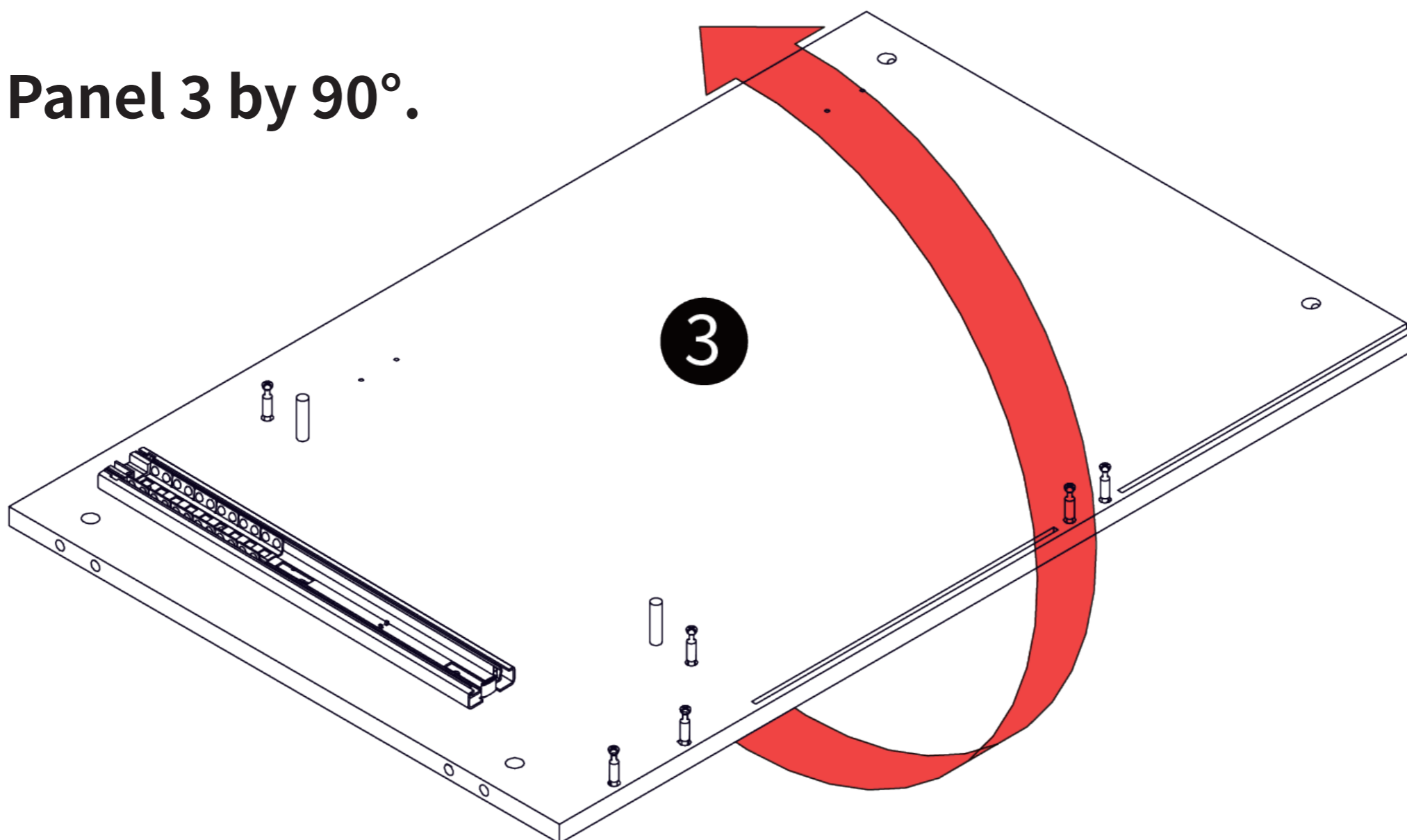
12

As shown in the illustration, insert the back panels 12 and 14 along the grooves.

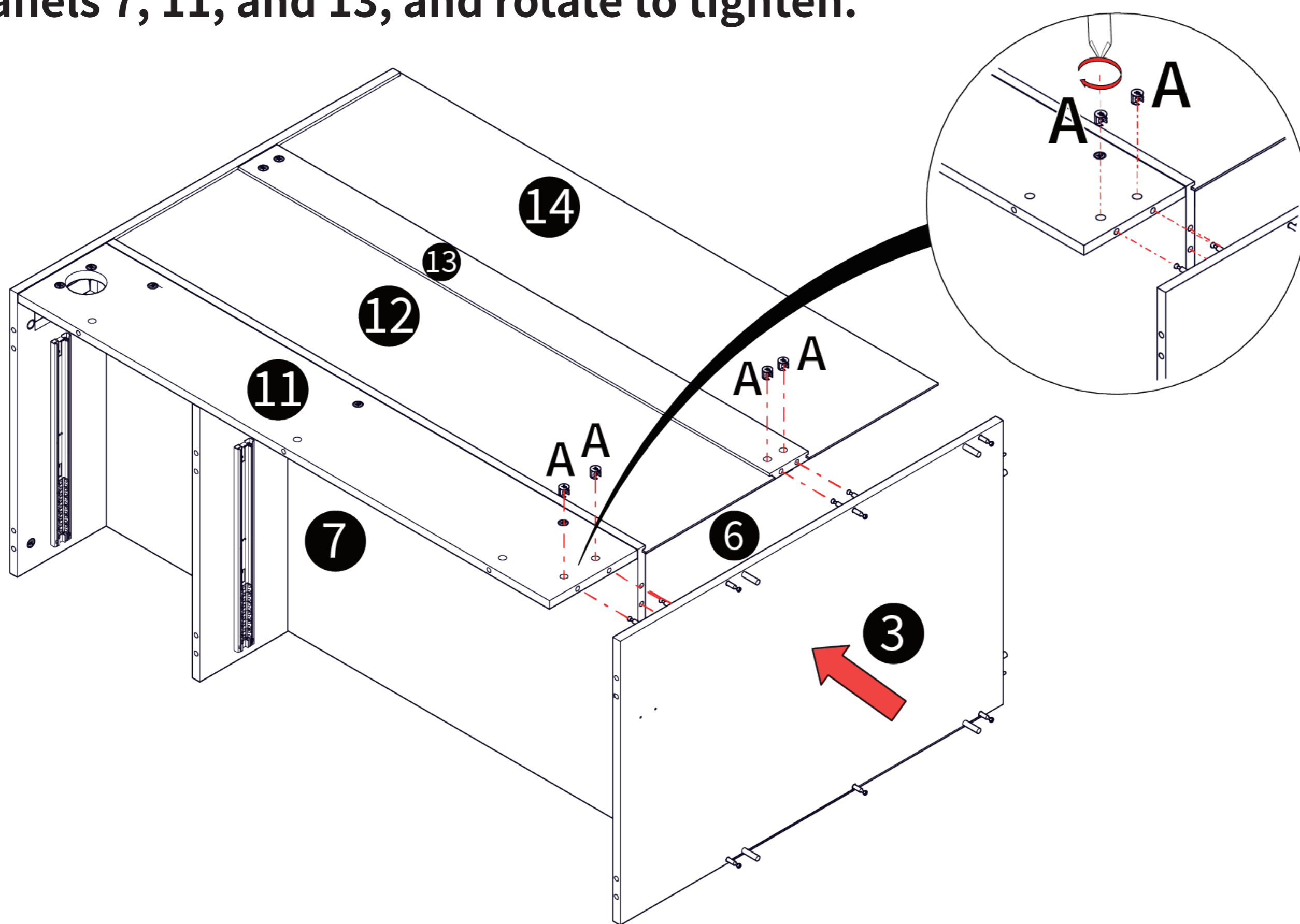


13

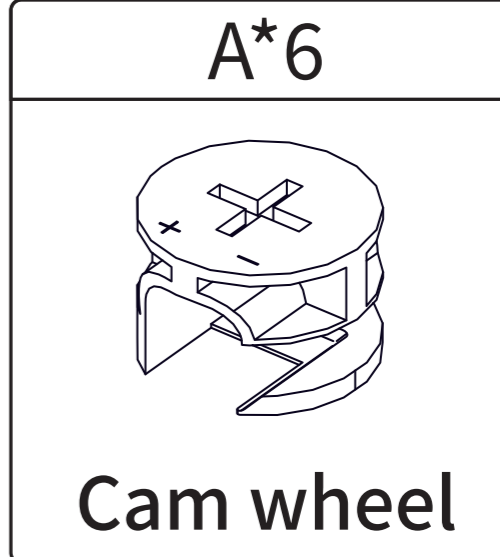
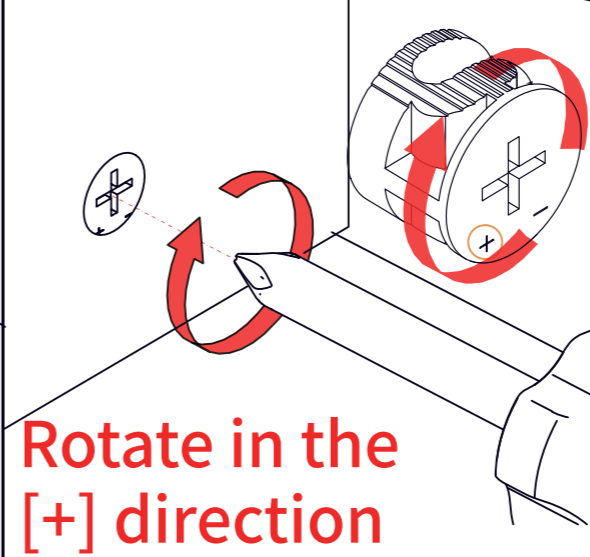
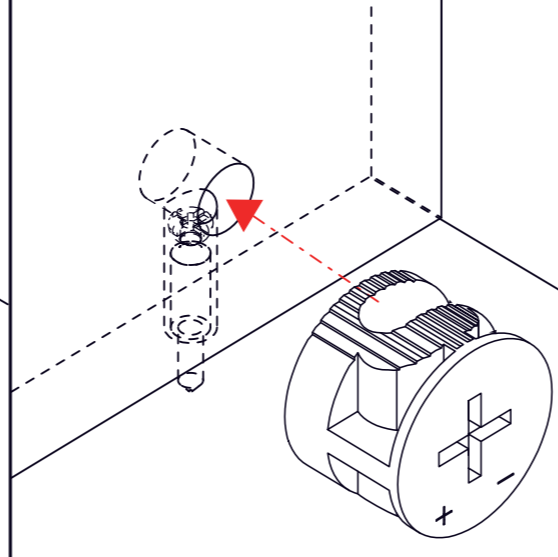
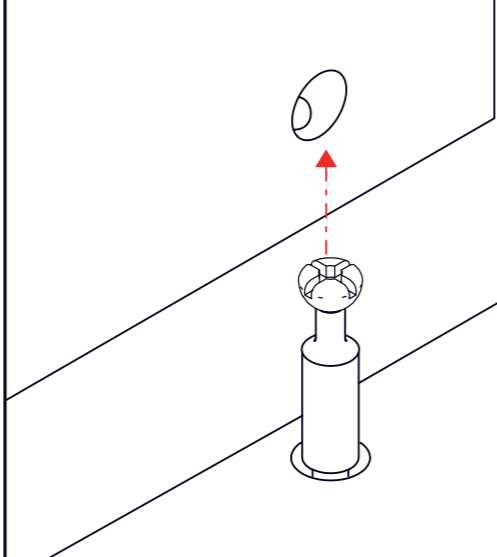
Rotate Panel 3 by 90°.



Connect Panel 3 to Panels 7, 11, and 13, install the Cam wheels (A) on Panels 7, 11, and 13, and rotate to tighten.

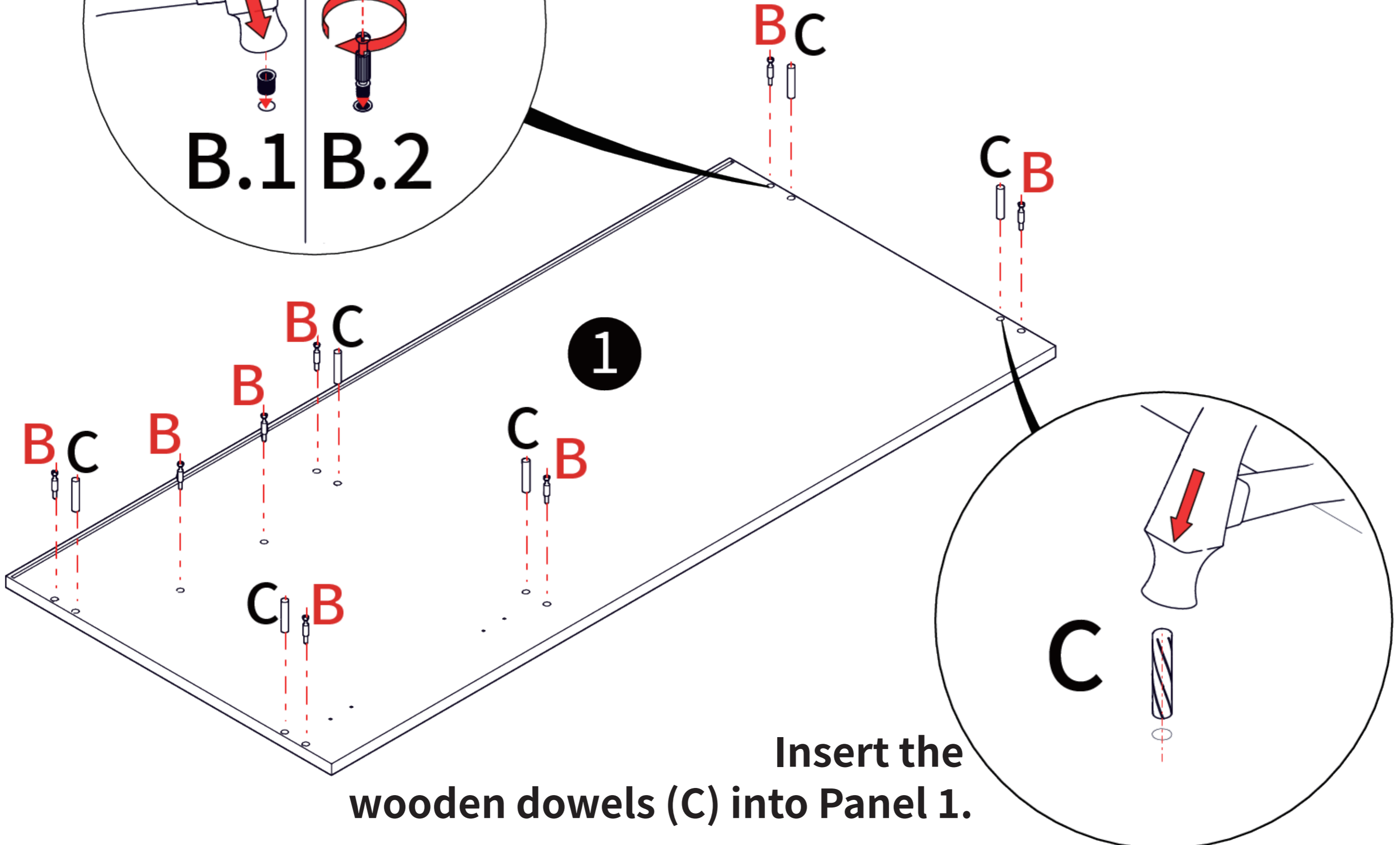


Cam wheel Diagram

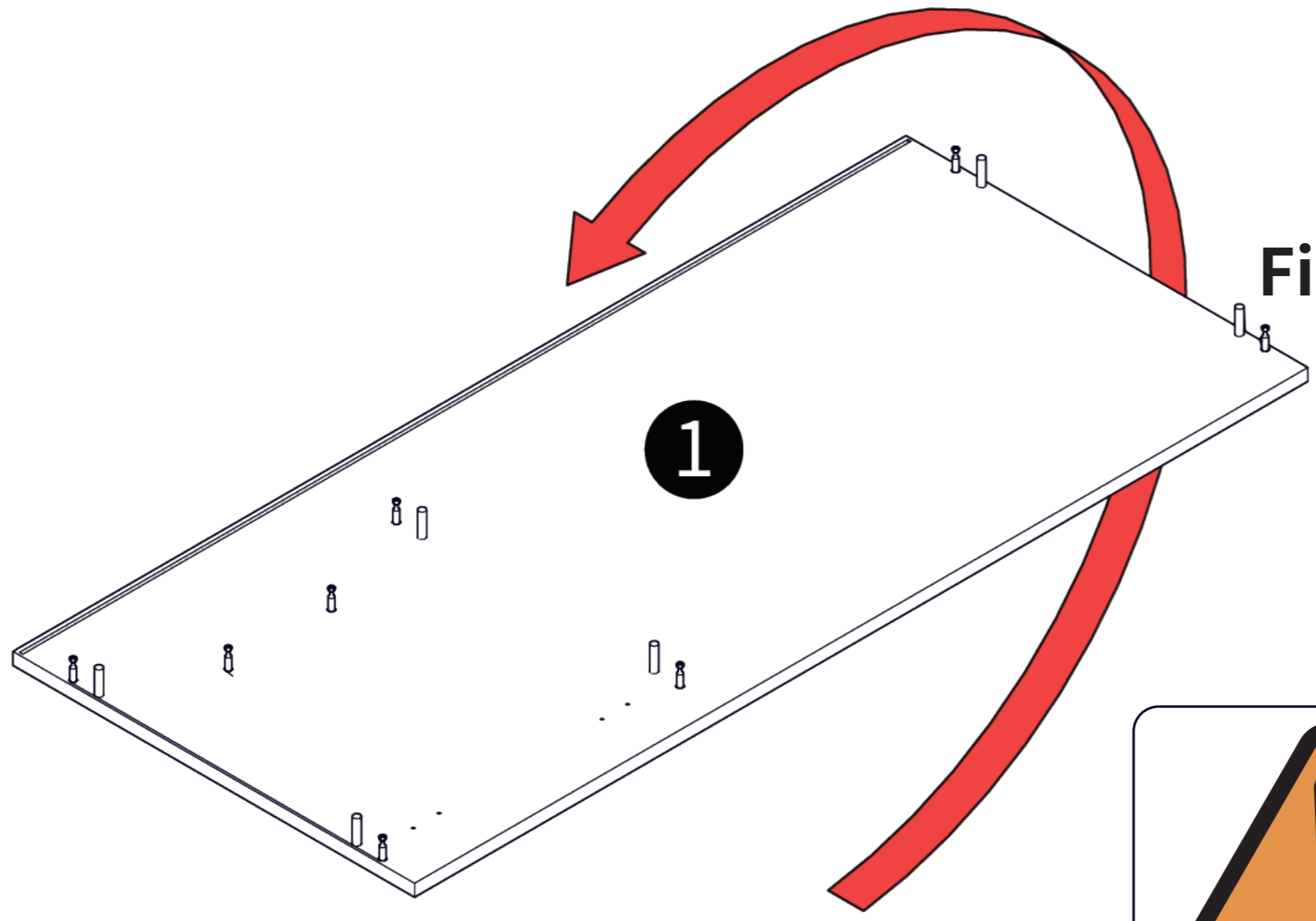


14

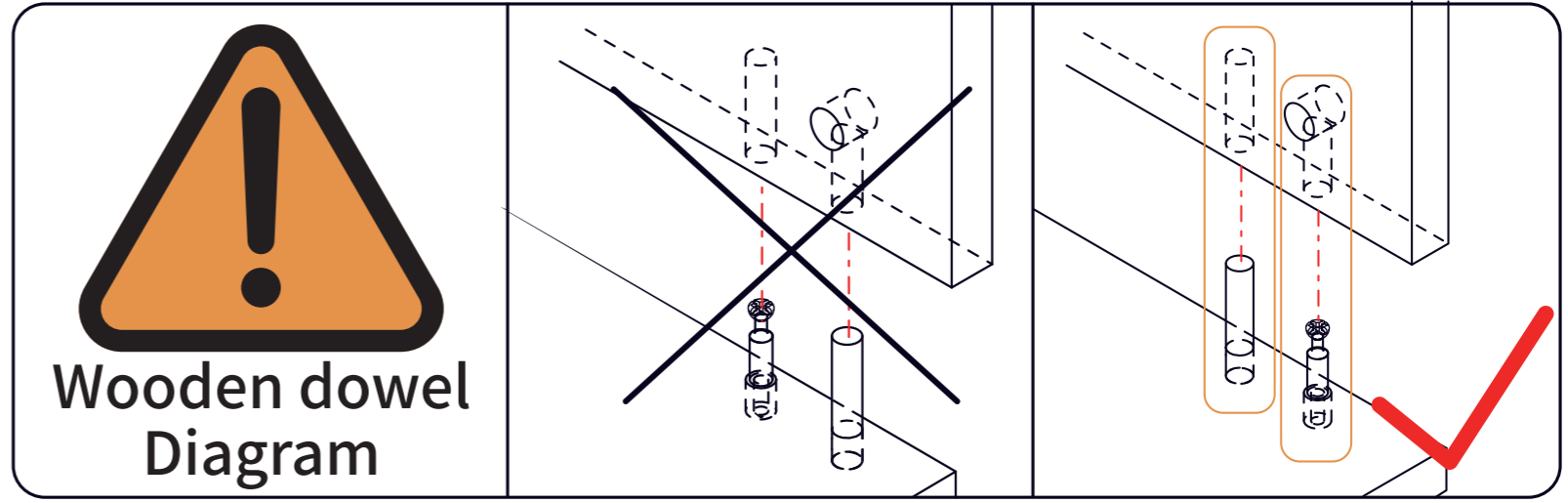
As shown in the illustration, tap the black Cam Nuts (B.1) into Panel 1 first, then use a screwdriver to screw the Cam bolts (B.2) into the black Cam Nuts.



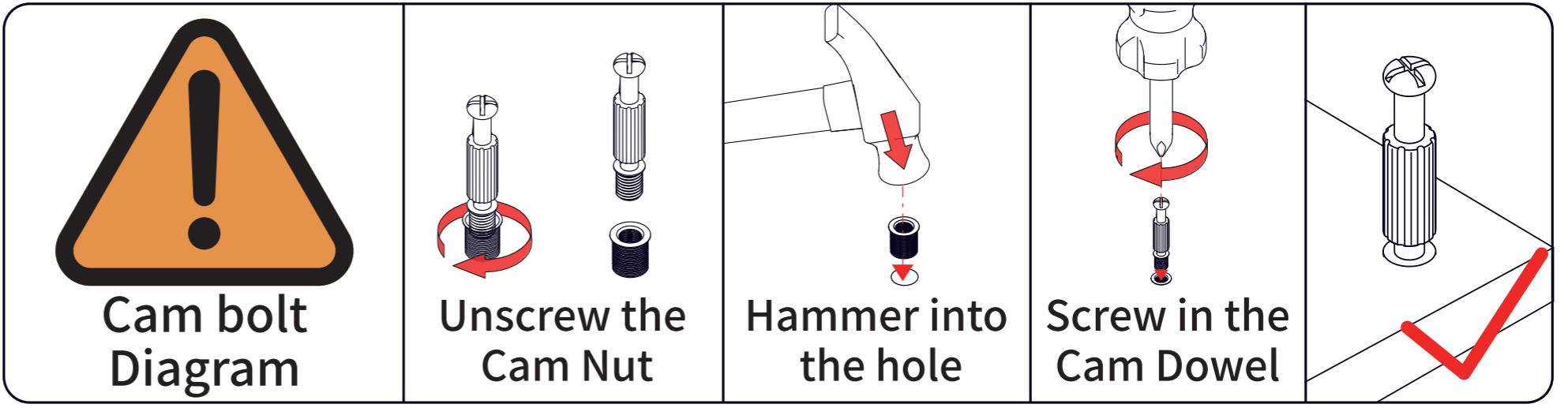
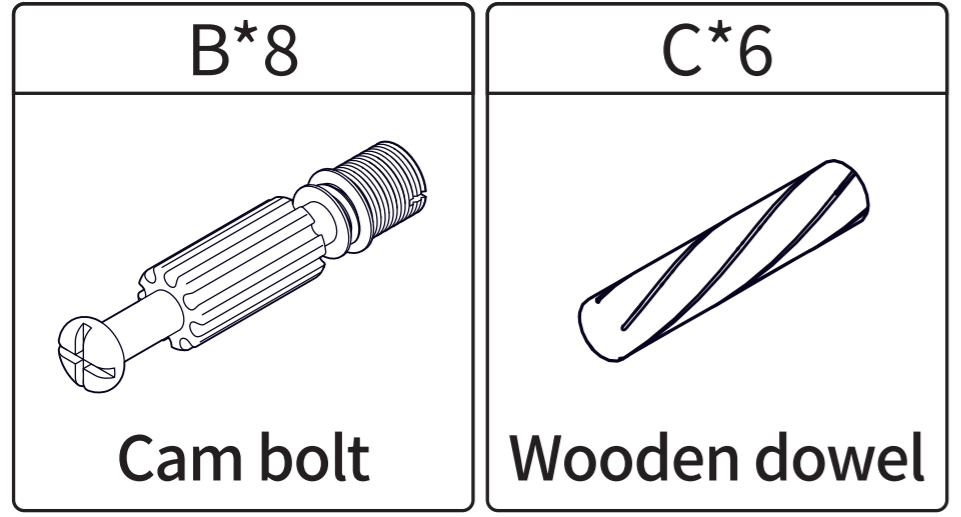
Insert the wooden dowels (C) into Panel 1.



Finally, rotate Panel 1 by 180°.



Warning: Wooden dowel Diagram



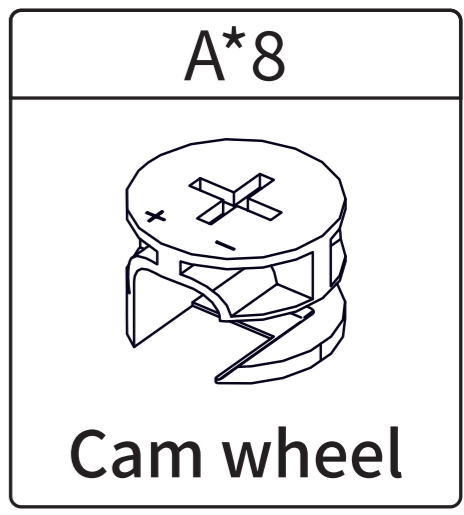
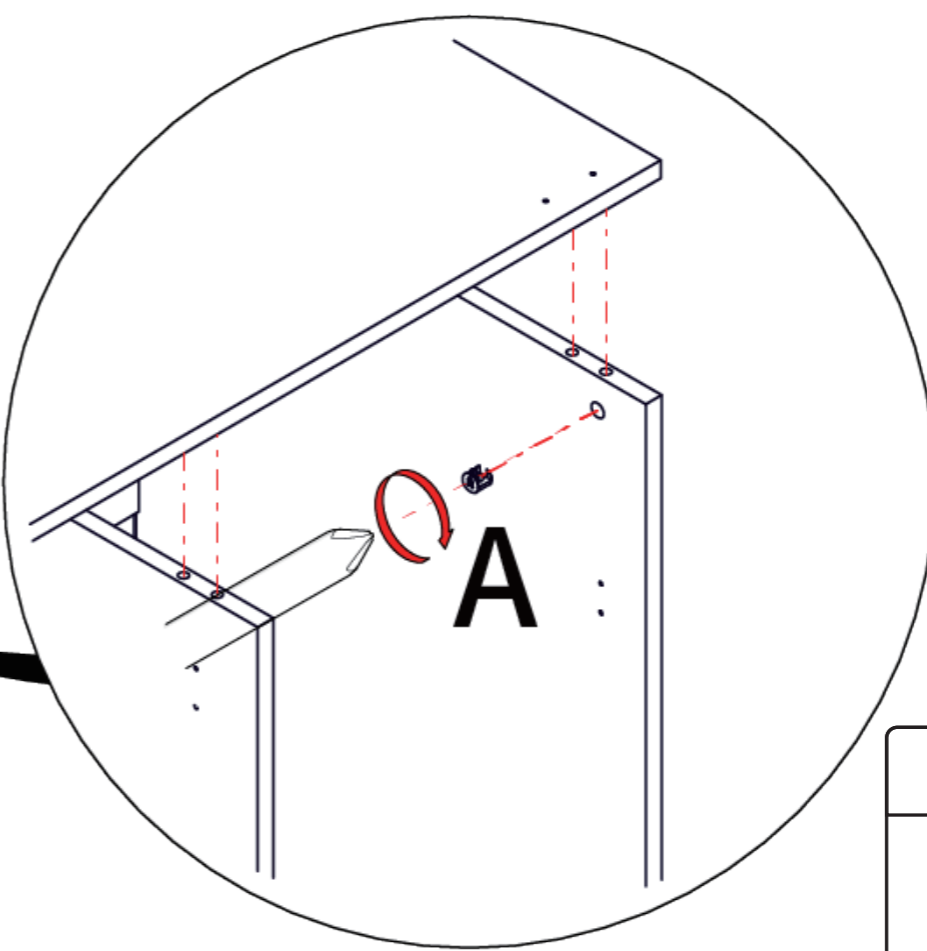
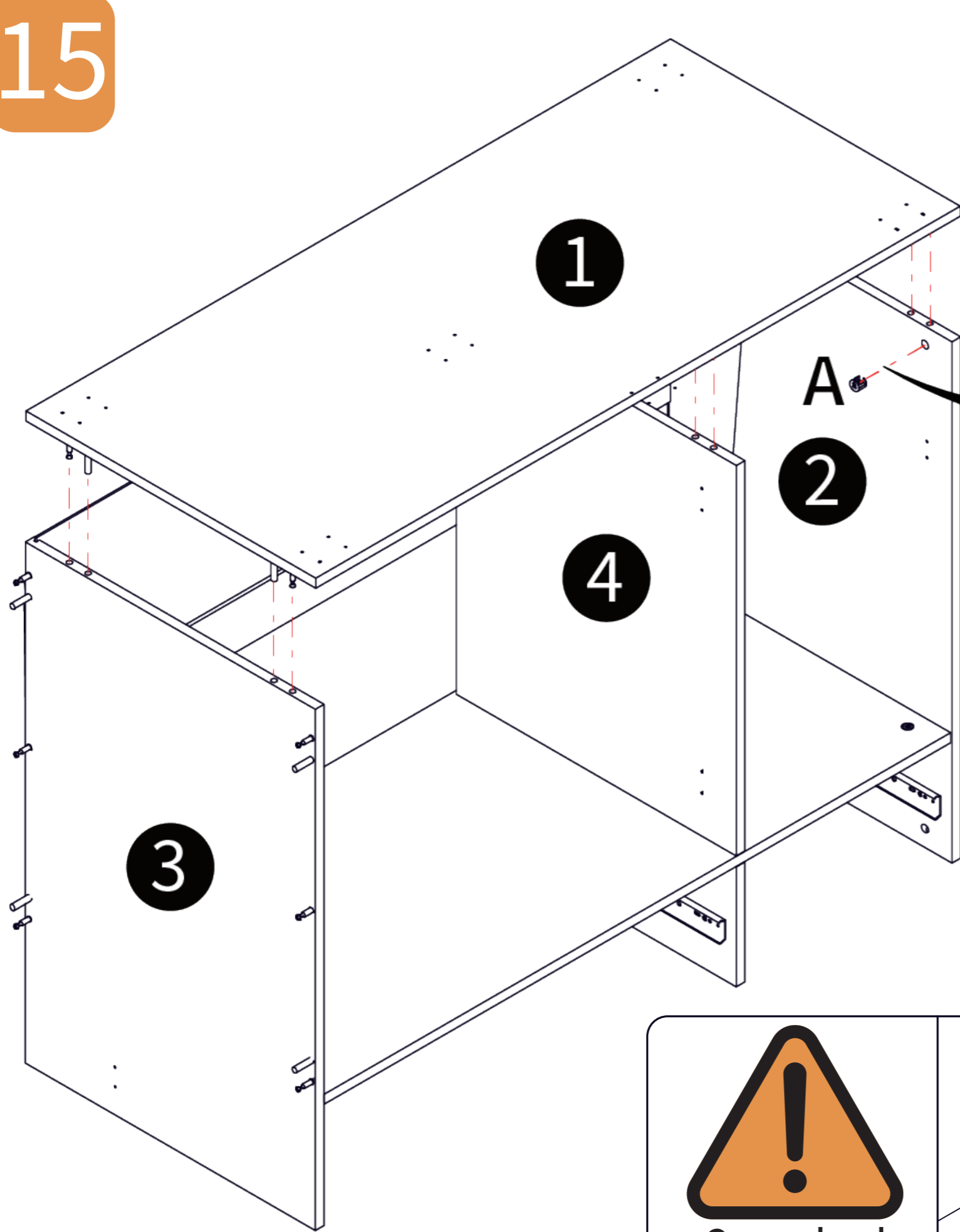
Warning: Cam bolt Diagram

Unscrew the Cam Nut

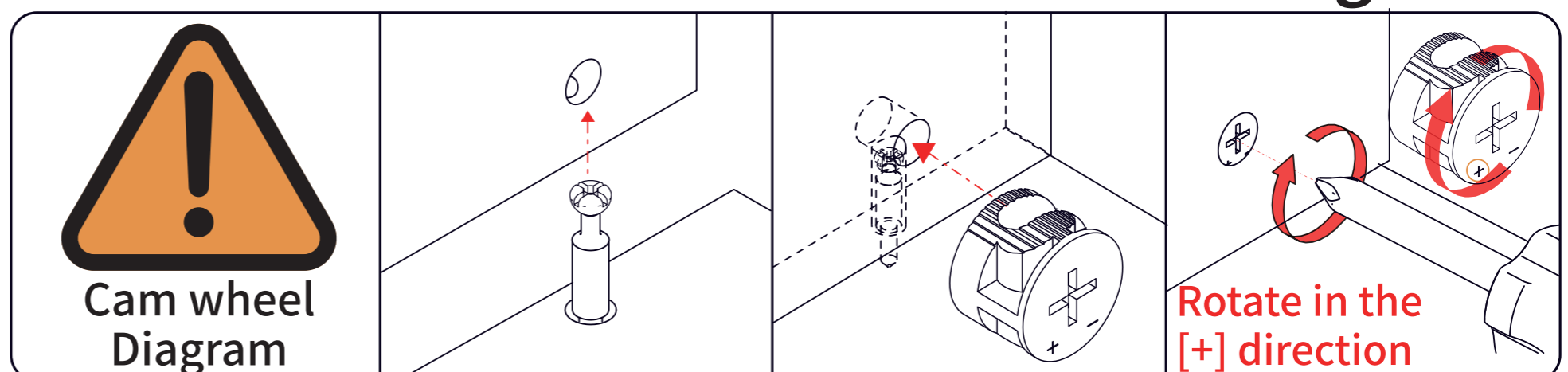
Hammer into the hole

Screw in the Cam Dowel

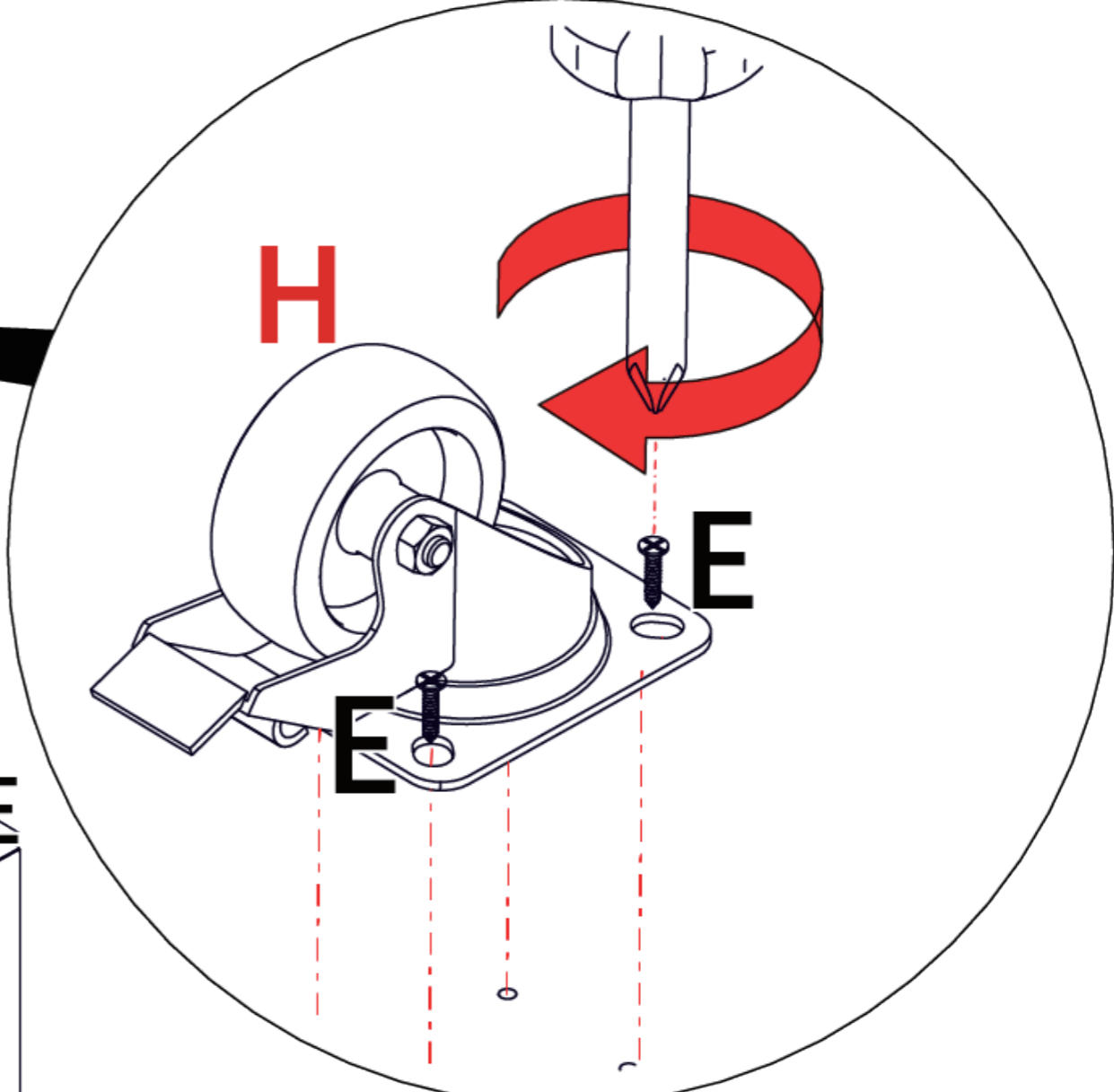
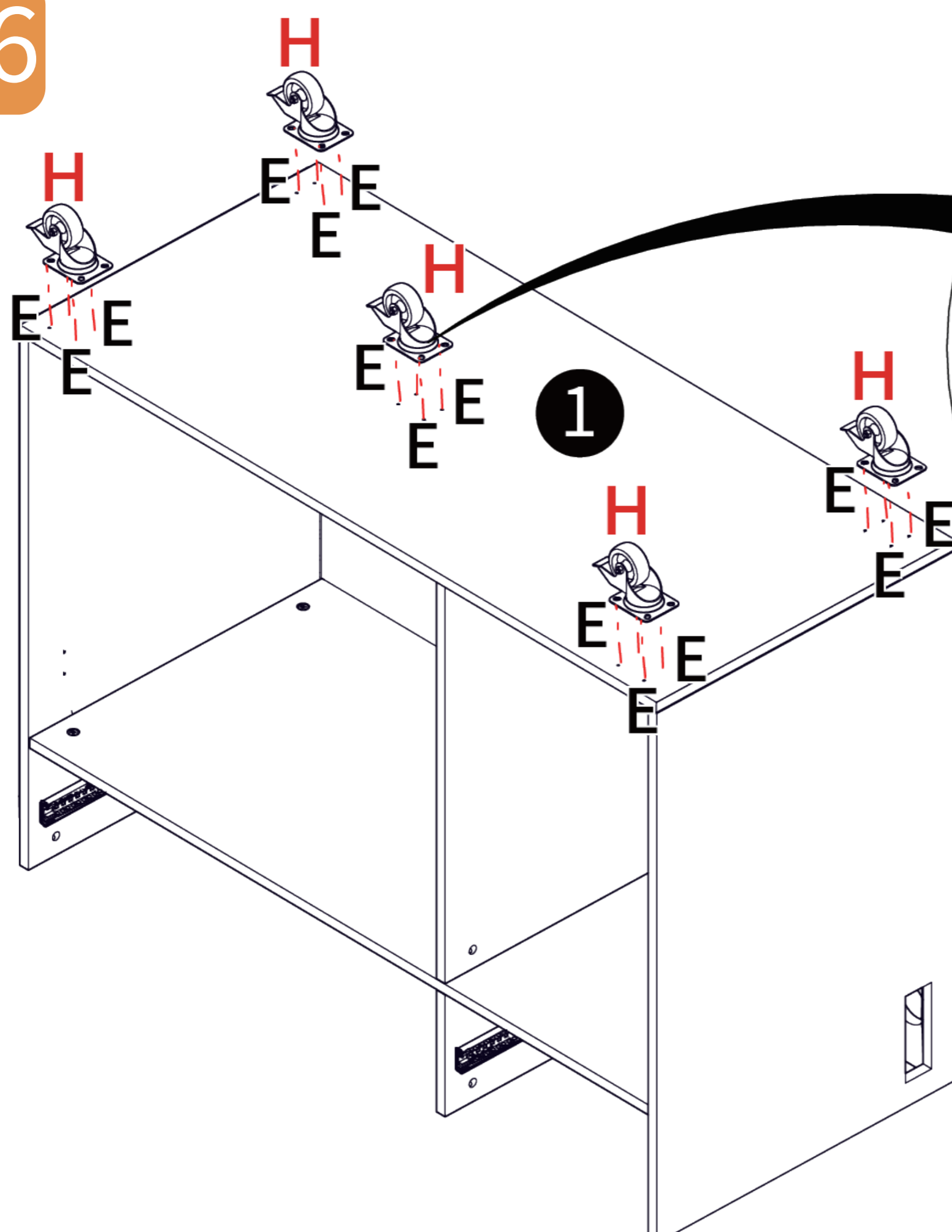
15



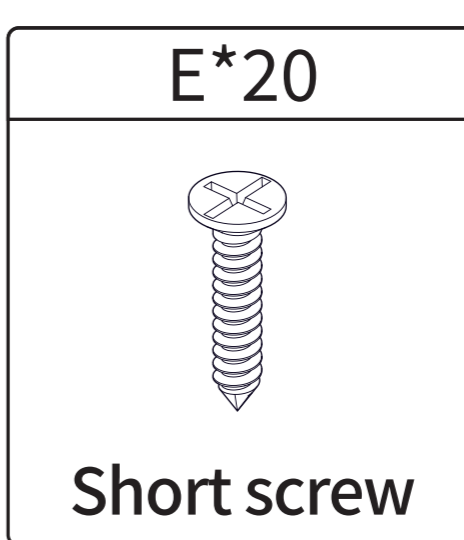
Connect Panel 1 to Panels 2, 3, and 4, install the Cam wheels (A) on Panels 2, 3, and 4, and rotate to tighten.



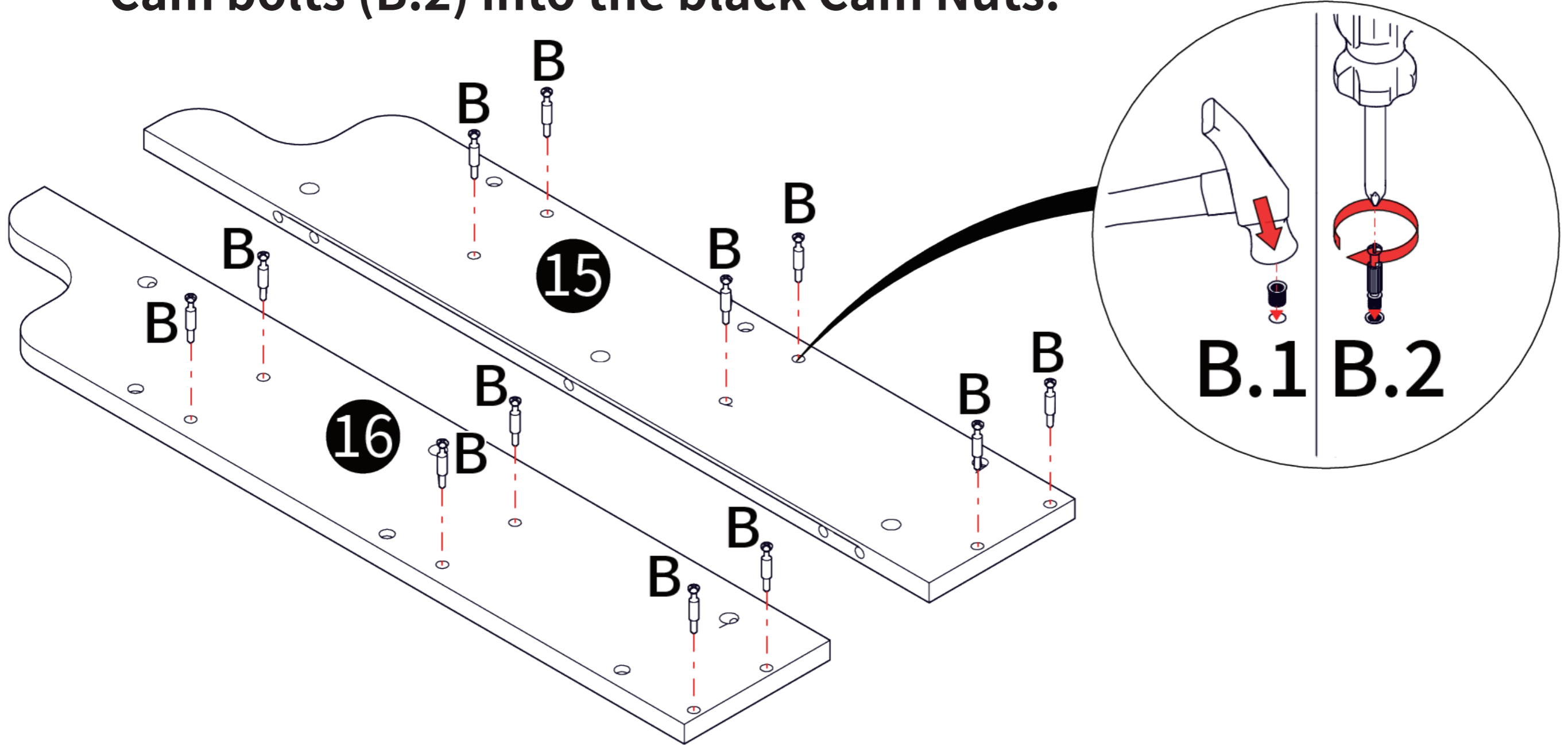
16



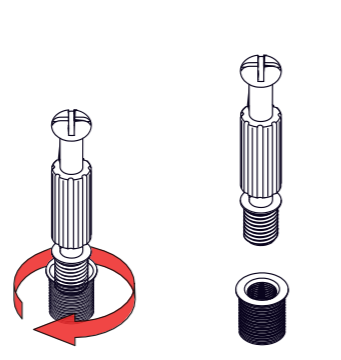
Screw the Locking Casters (H) into Panel 1.



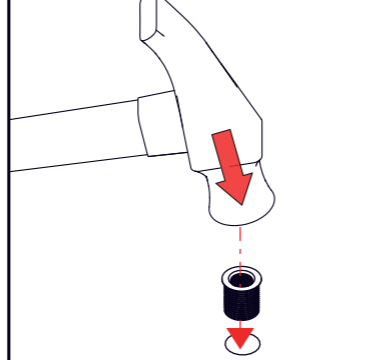
17 As shown in the illustration, tap the black Cam Nuts (B.1) into Panels 15 and 16 first, then use a screwdriver to screw the Cam bolts (B.2) into the black Cam Nuts.



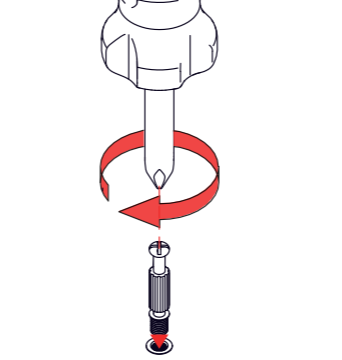
Cam bolt Diagram



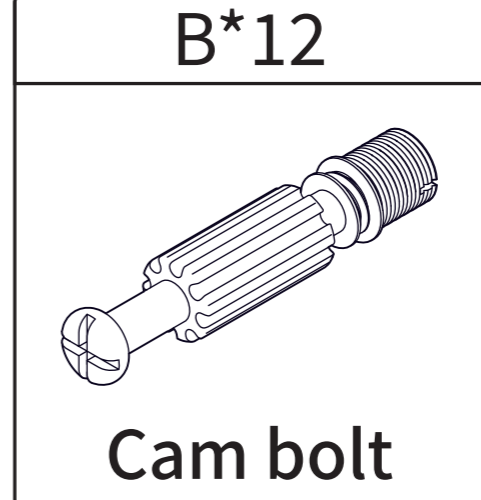
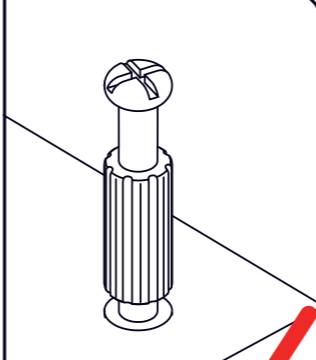
Unscrew the Cam Nut



Hammer into the hole



Screw in the Cam Dowel

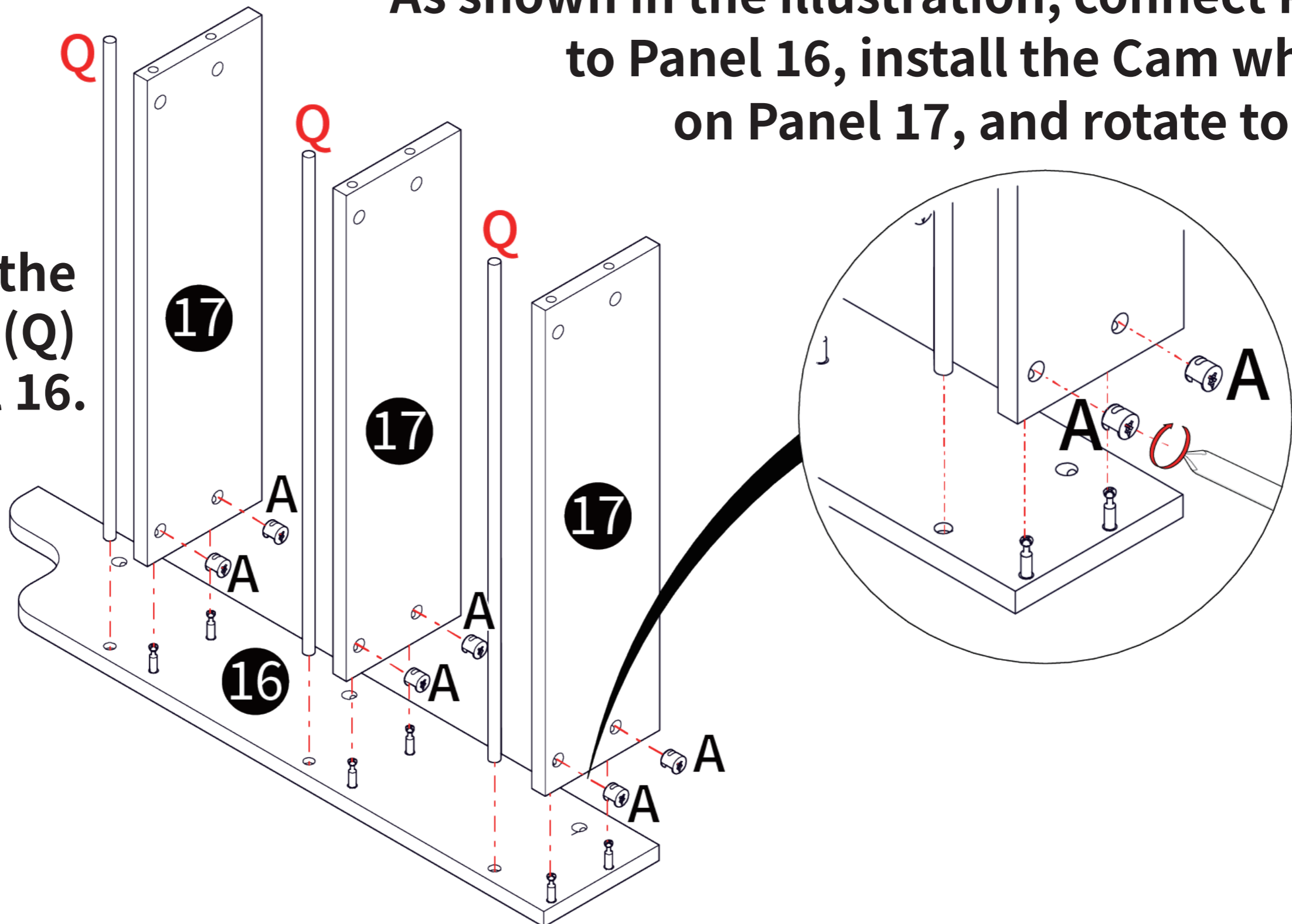


Cam bolt

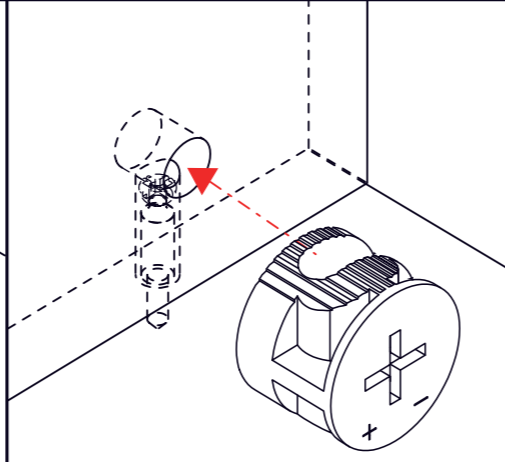
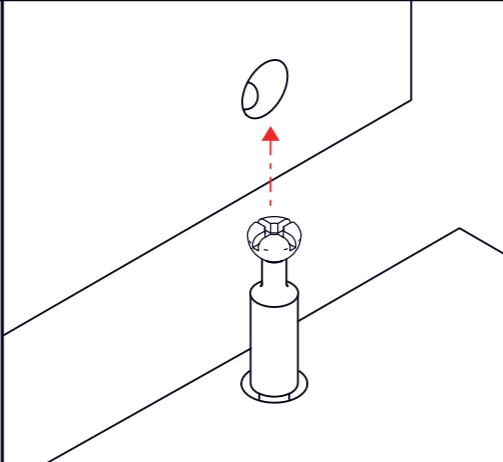
18

As shown in the illustration, connect Panel 17 to Panel 16, install the Cam wheels (A) on Panel 17, and rotate to tighten.

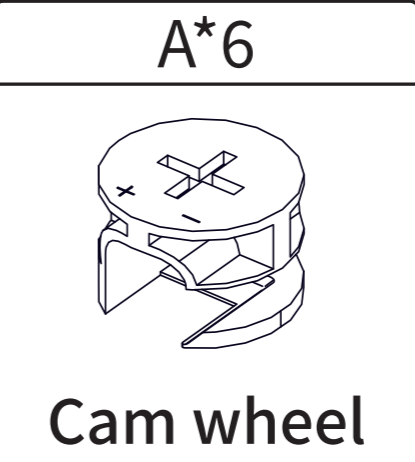
Then insert the metal rods (Q) into Panel 16.



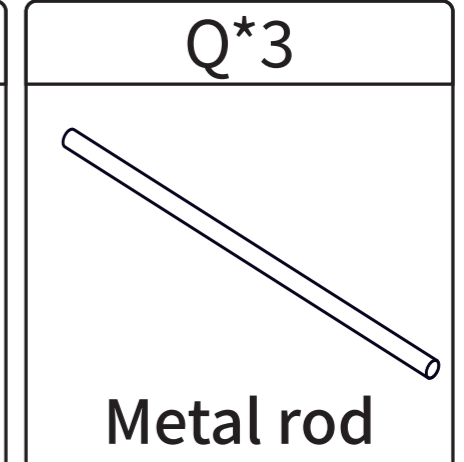
Cam wheel Diagram



Rotate in the [+] direction

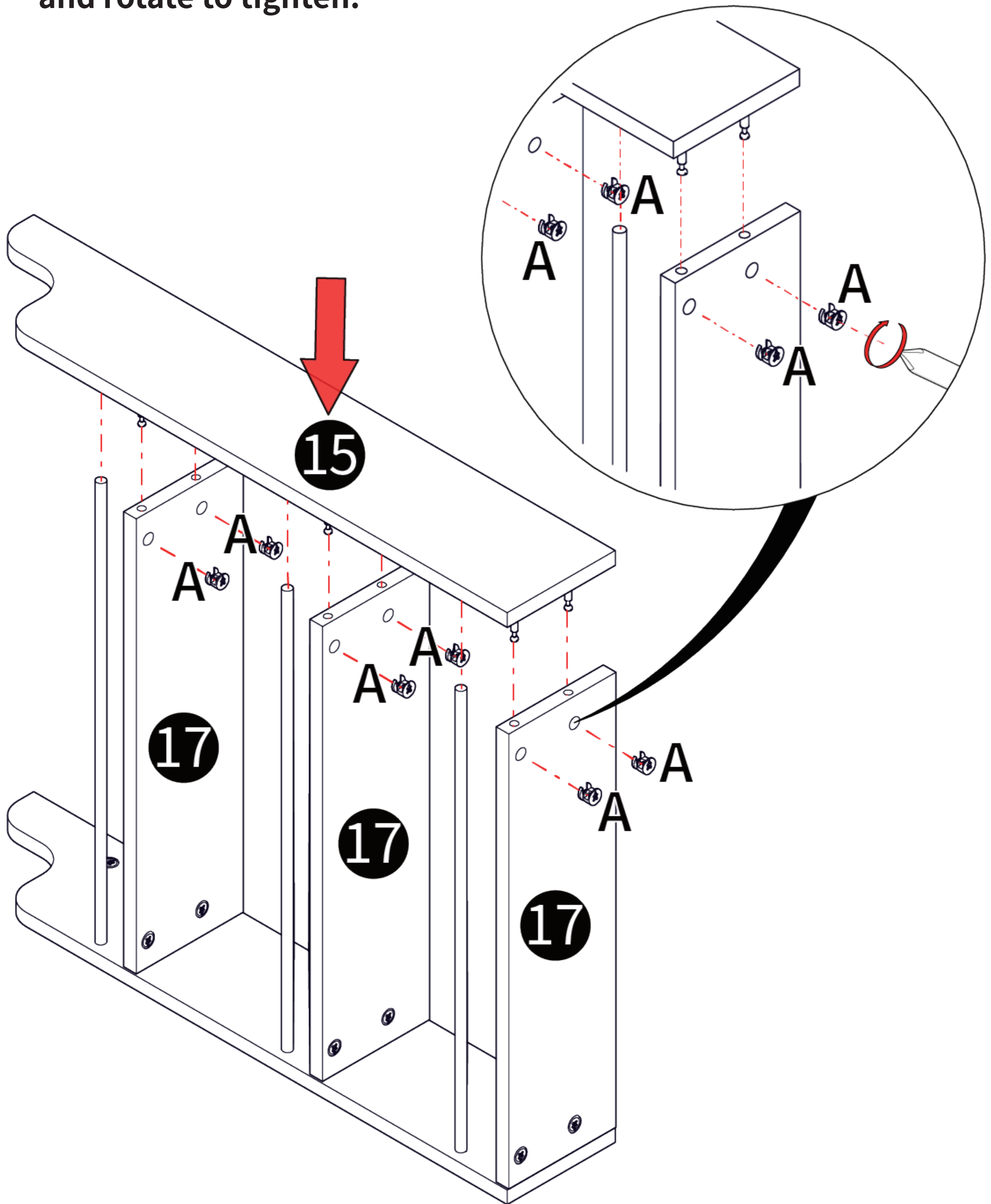


Cam wheel

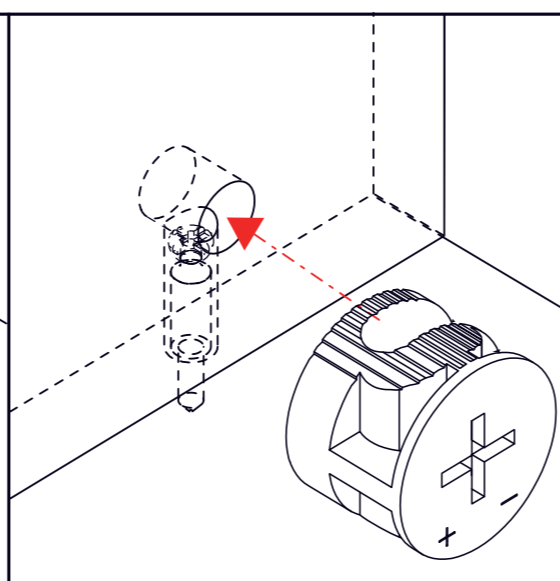
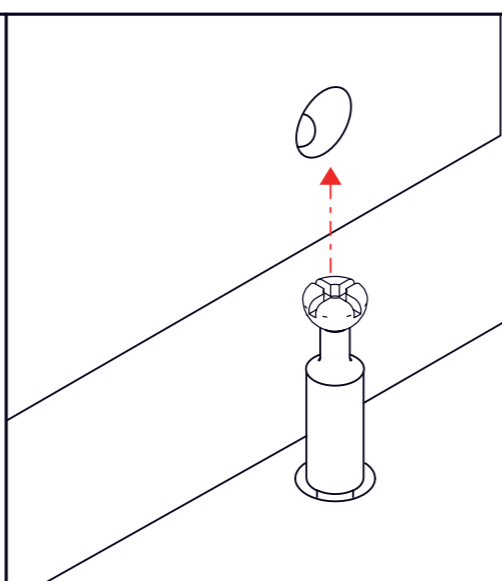


Metal rod

19 Connect Panel 15 to Panel 17, press the Cam wheels (A) into Panel 17, install the Cam wheels (A) on Panel 17, and rotate to tighten.

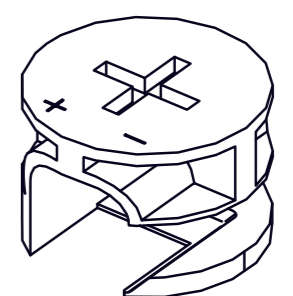


Cam wheel Diagram



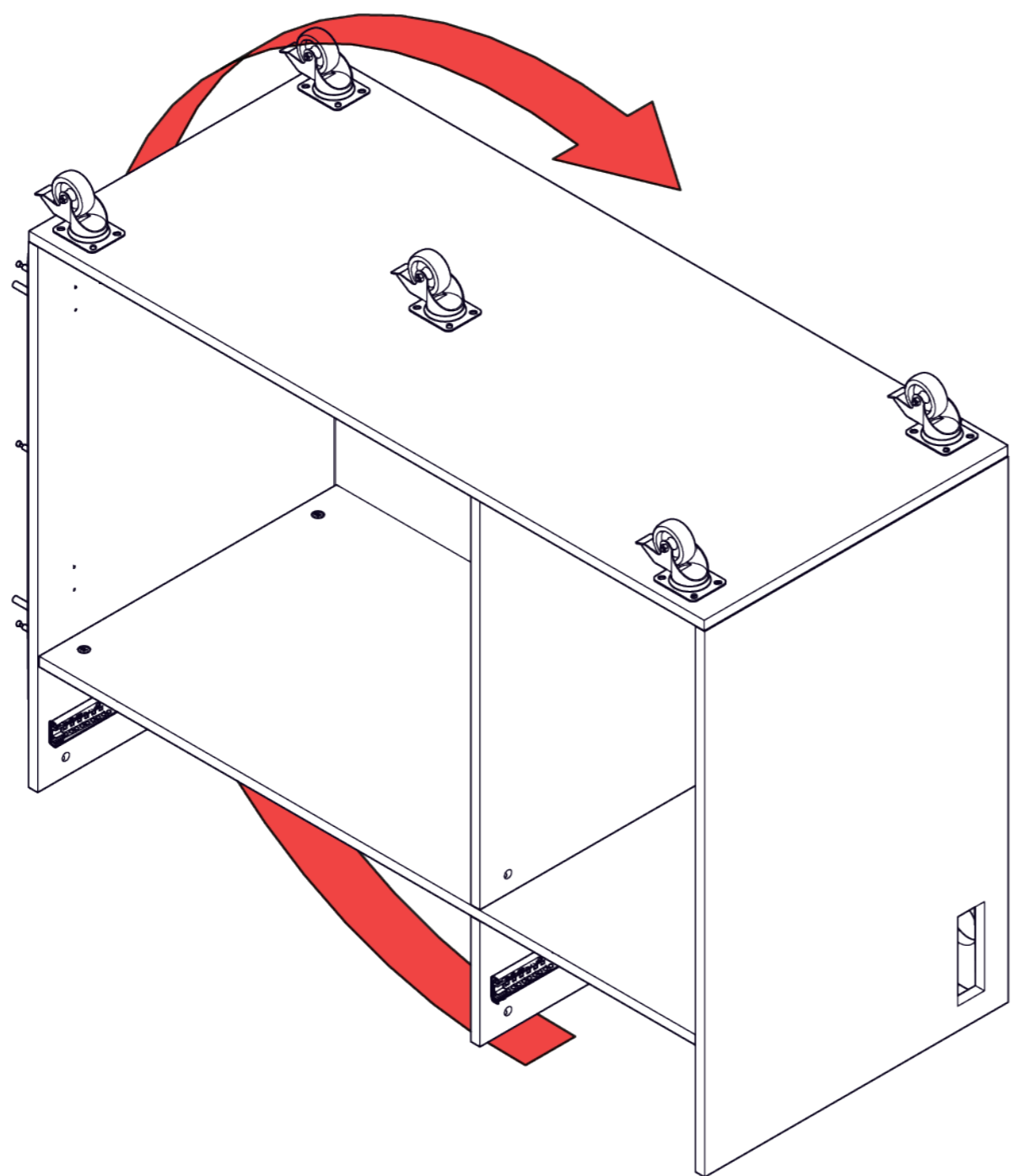
Rotate in the [+]
direction

A*6

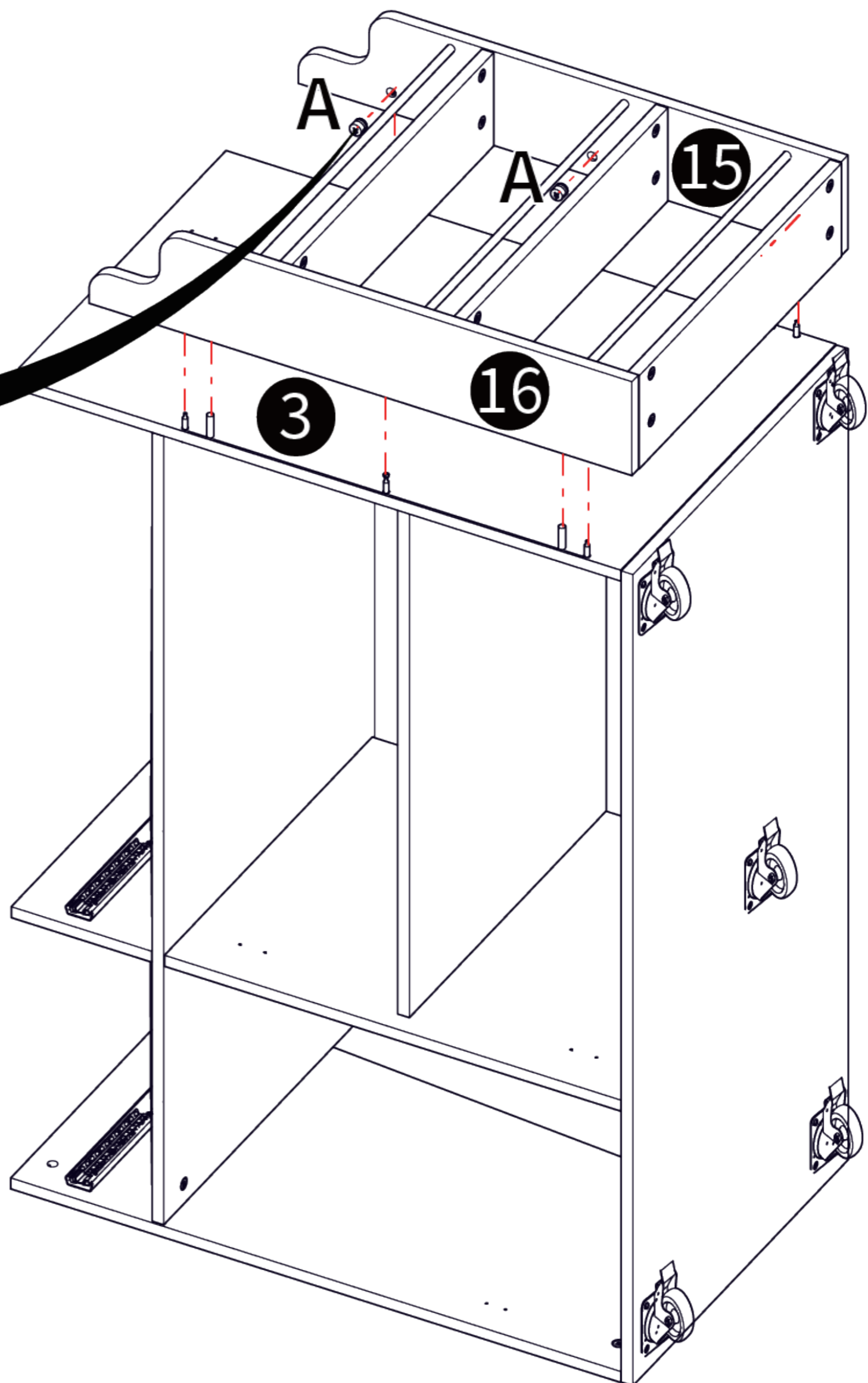
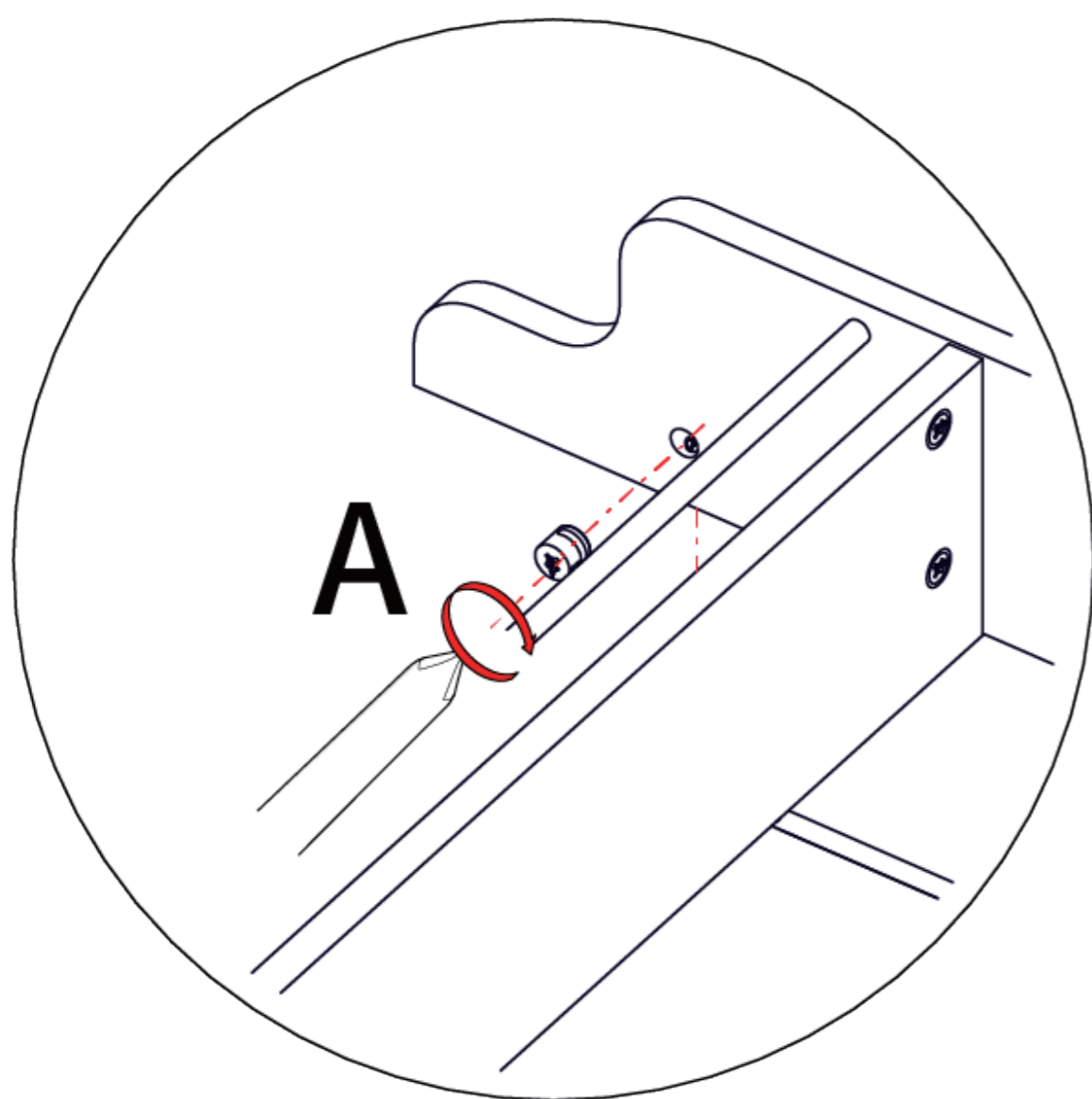


Cam wheel

20



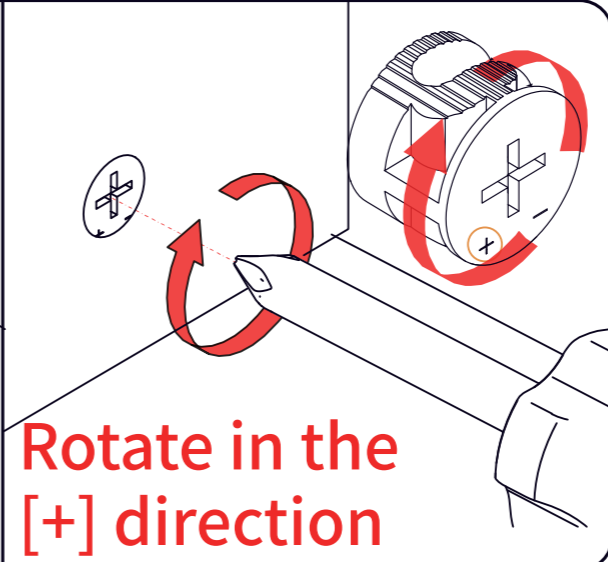
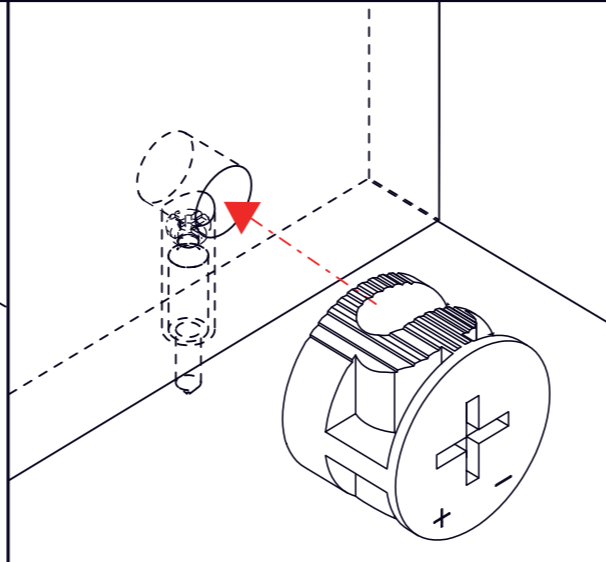
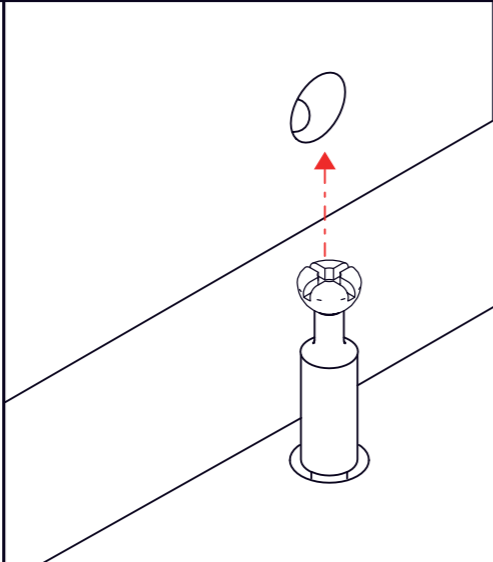
Rotate the cabinet body by 90° first.



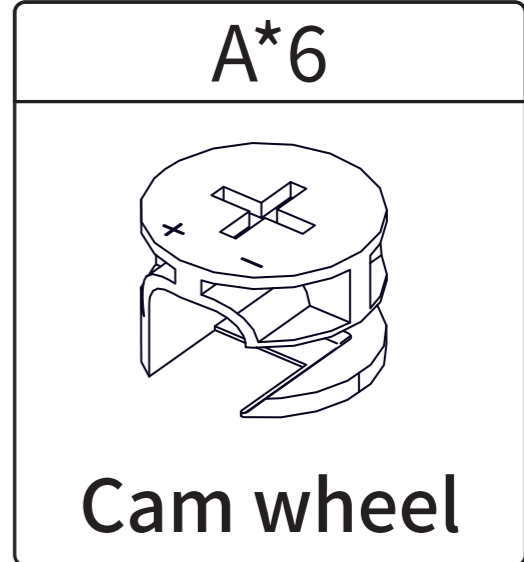
As shown in the illustration, connect the cabinet body to Panel 3, install the Cam wheels (A) on Panels 15 and 16, and rotate to tighten.



Cam wheel Diagram

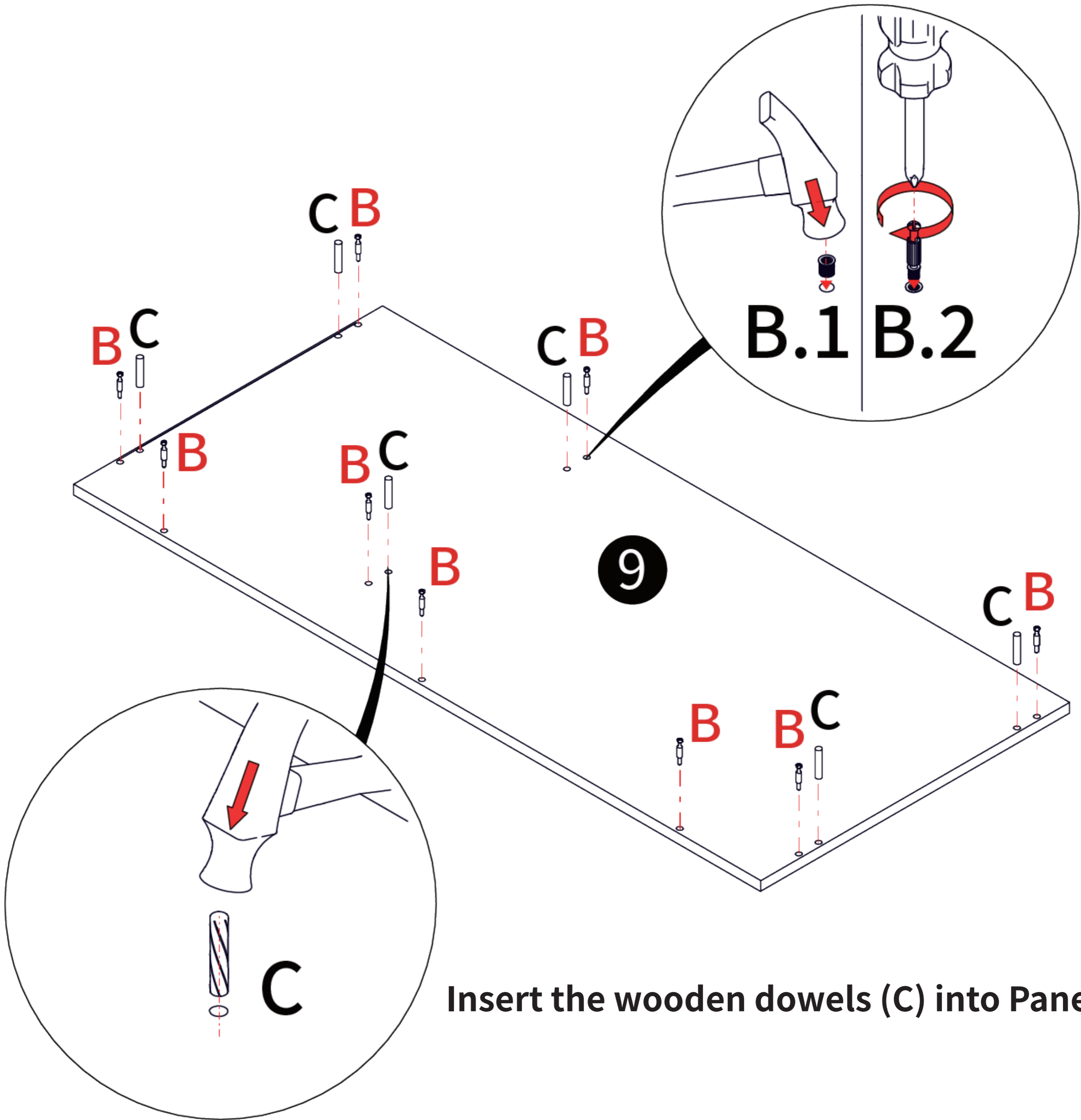


Rotate in the [+] direction

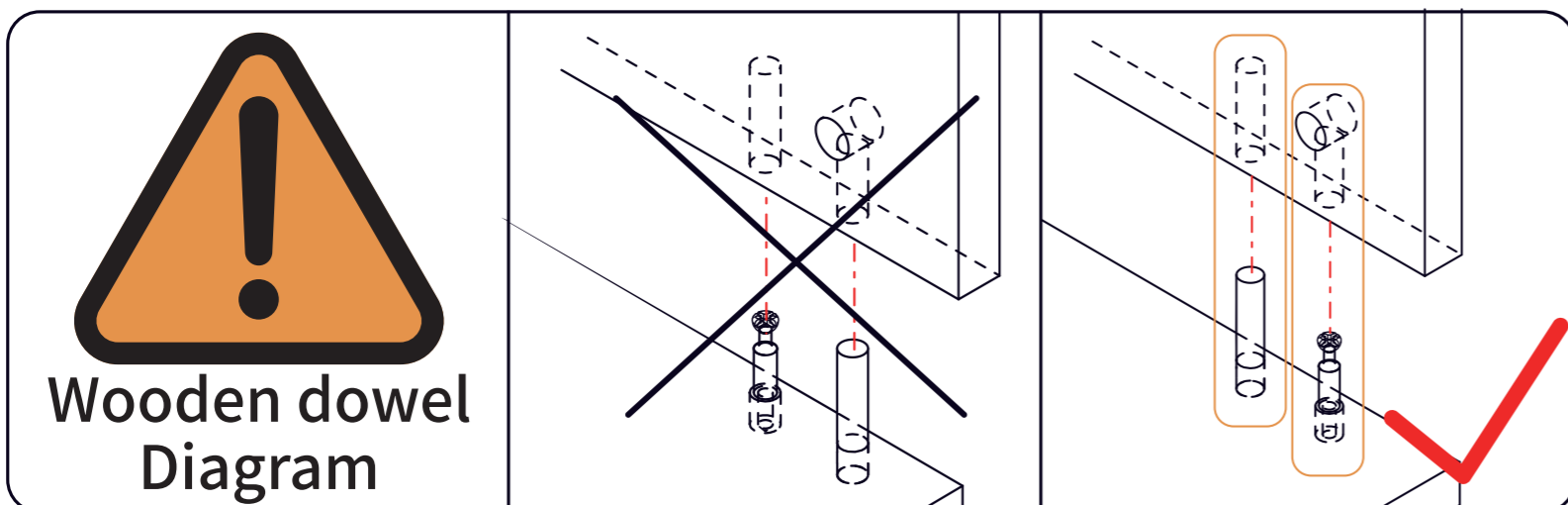


21

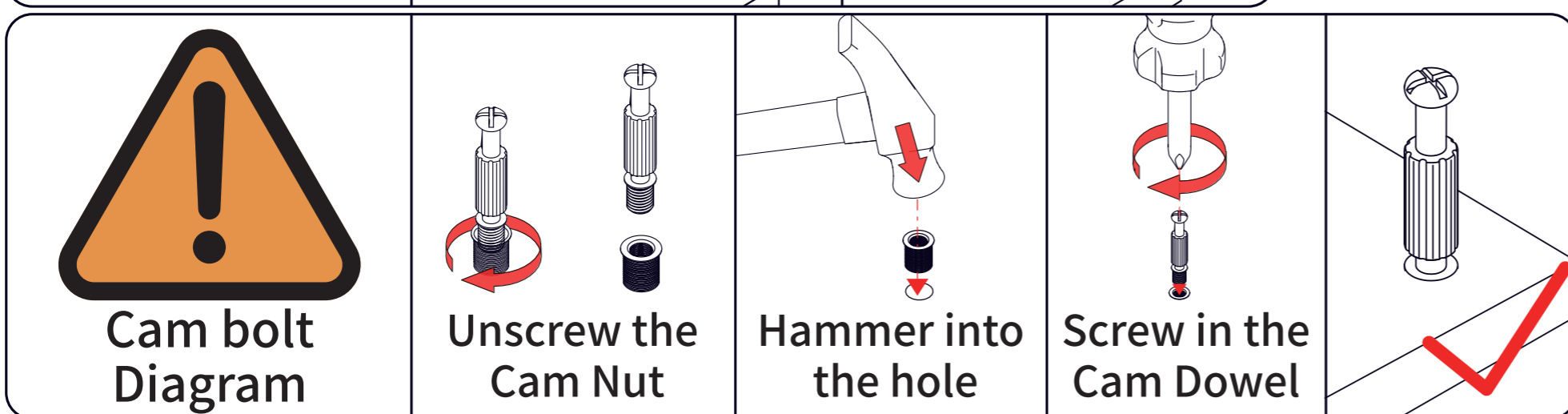
As shown in the illustration, tap the black Cam Nuts (B.1) into Panel 9 first, then use a screwdriver to screw the Cam bolts (B.2) into the black Cam Nuts.



Insert the wooden dowels (C) into Panel 9.



Warning: Wooden dowsels must be inserted vertically.

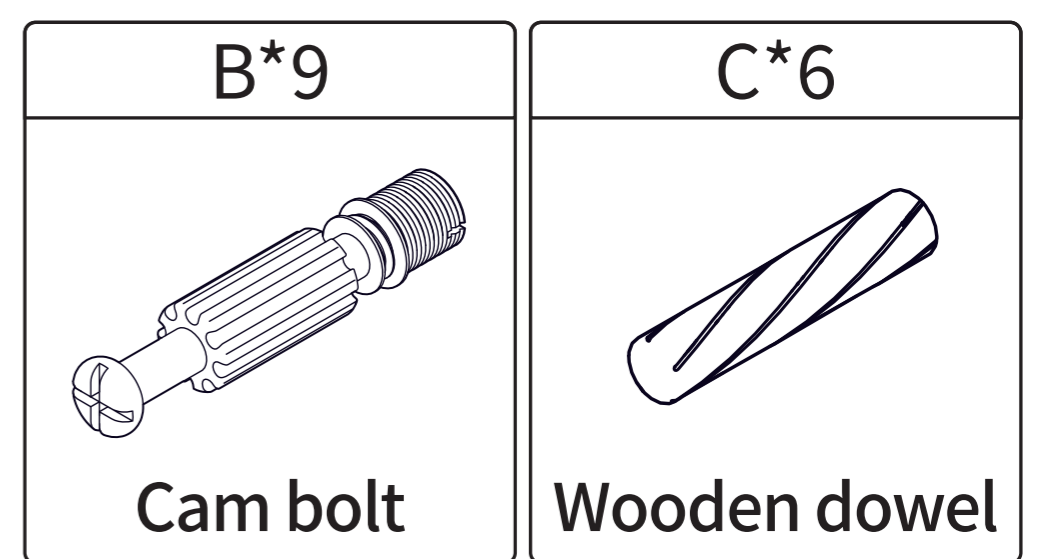


Warning: Cam bolts must be installed correctly.

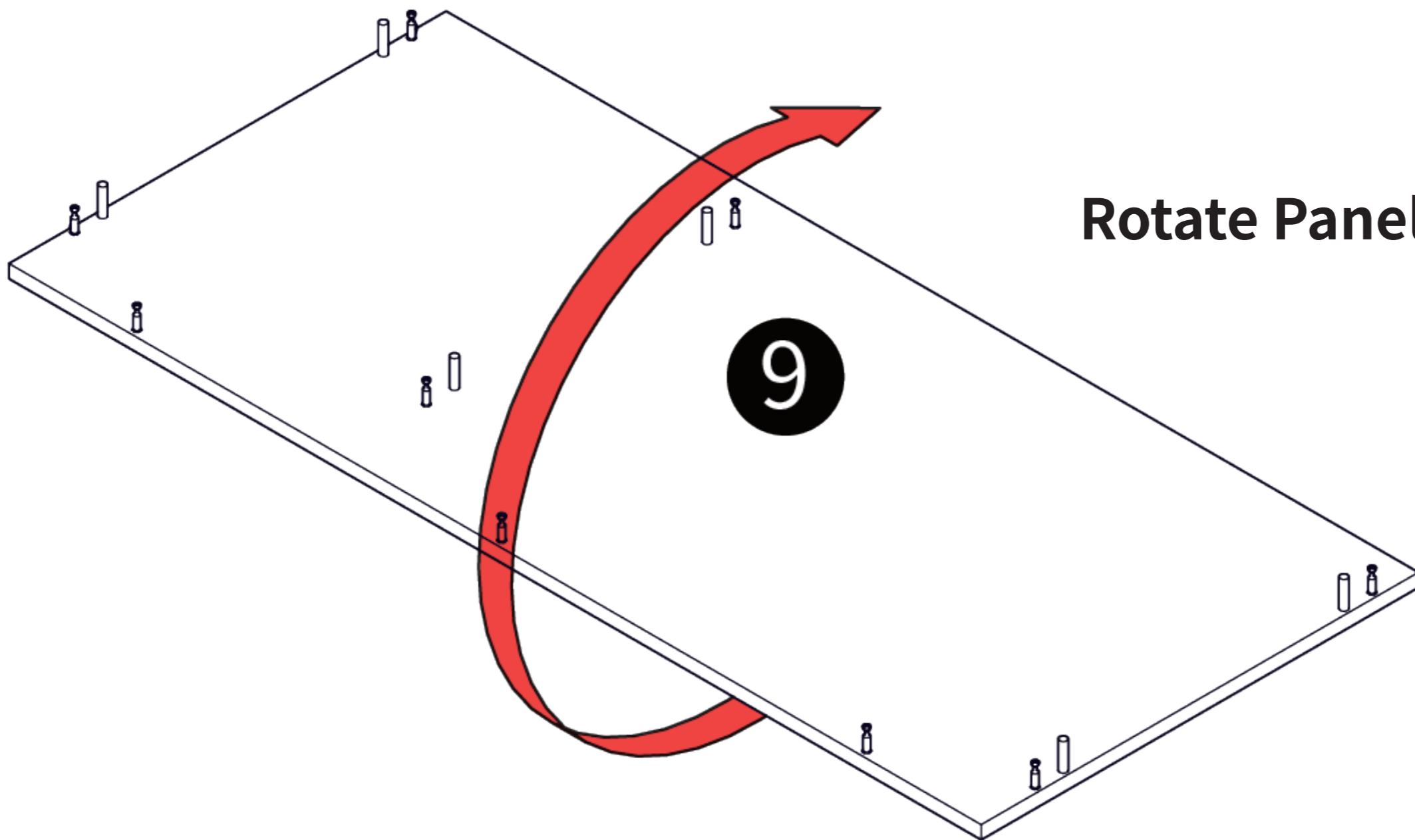
Unscrew the Cam Nut

Hammer into the hole

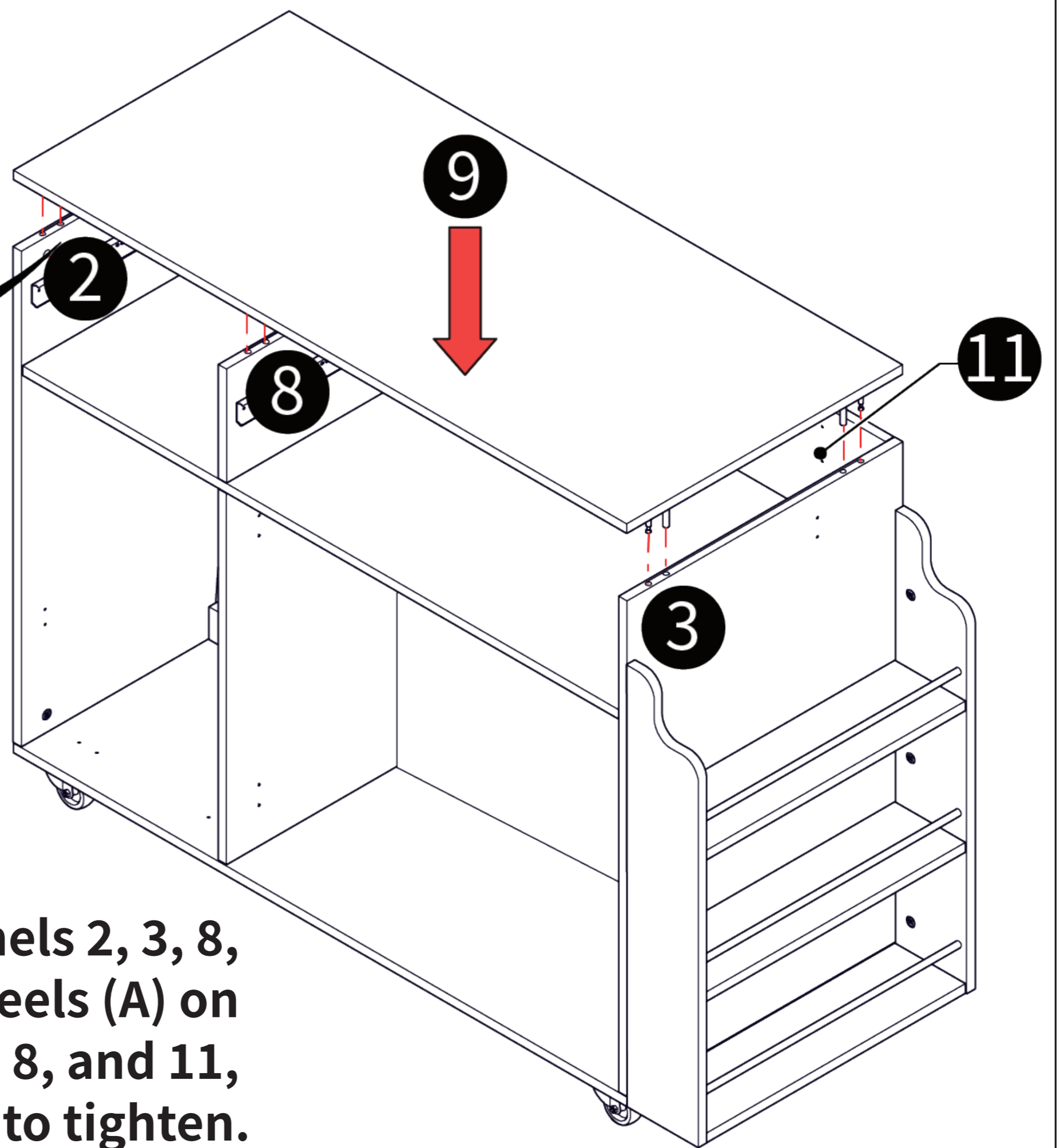
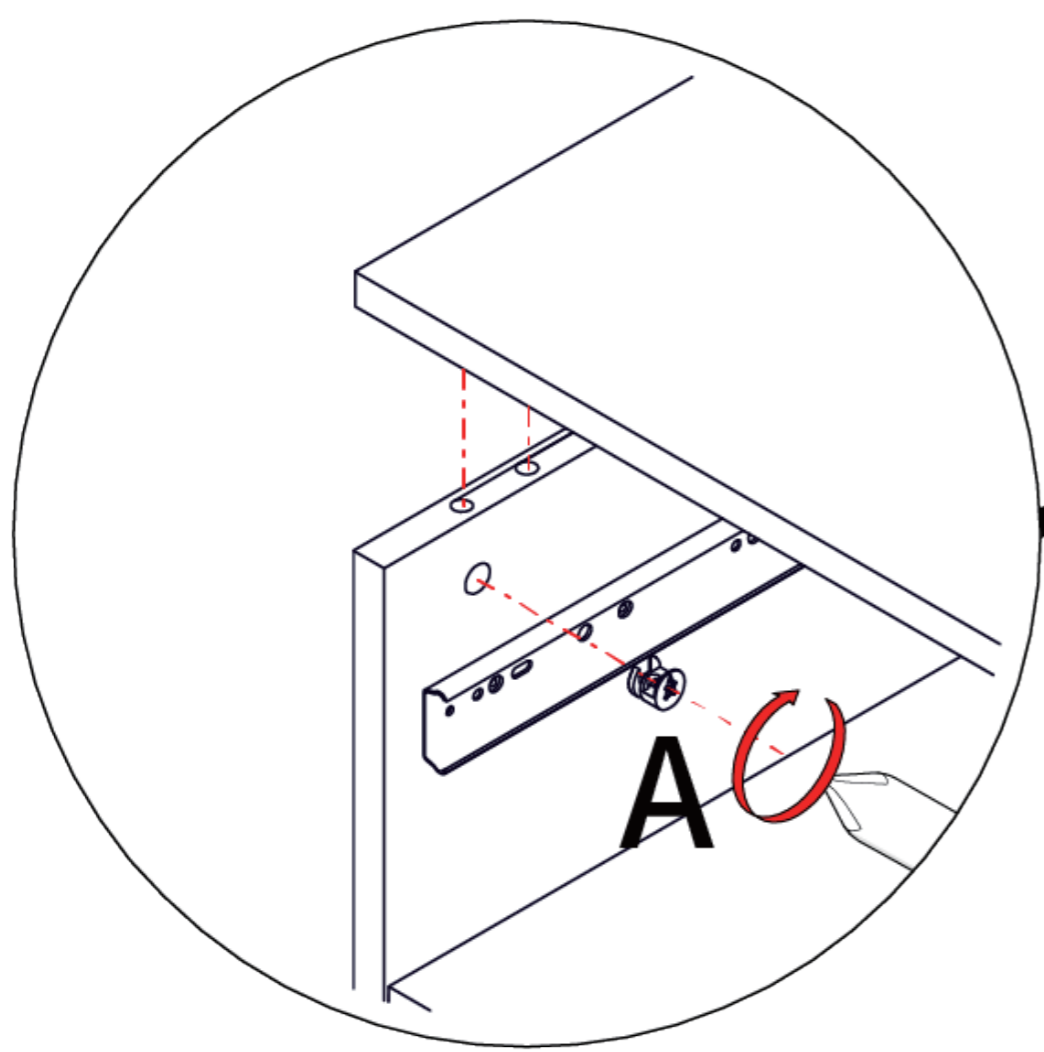
Screw in the Cam Bolt



22



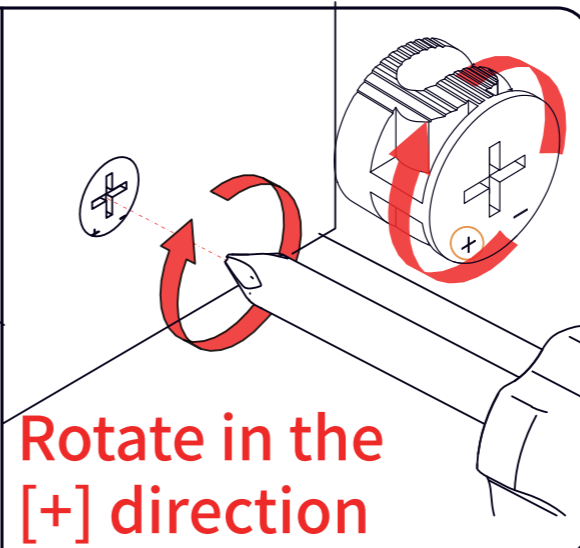
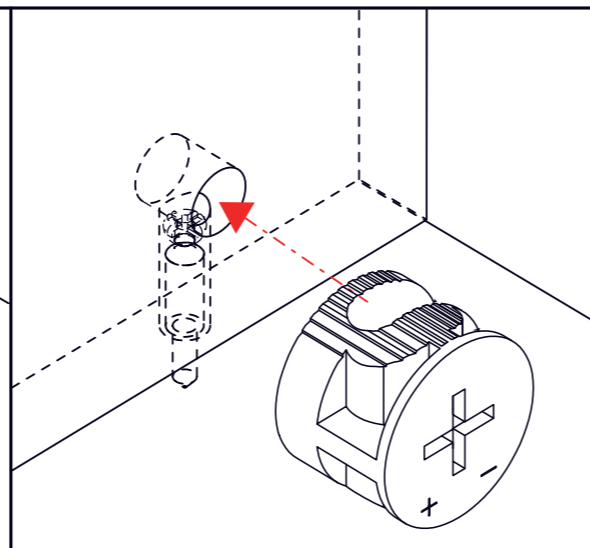
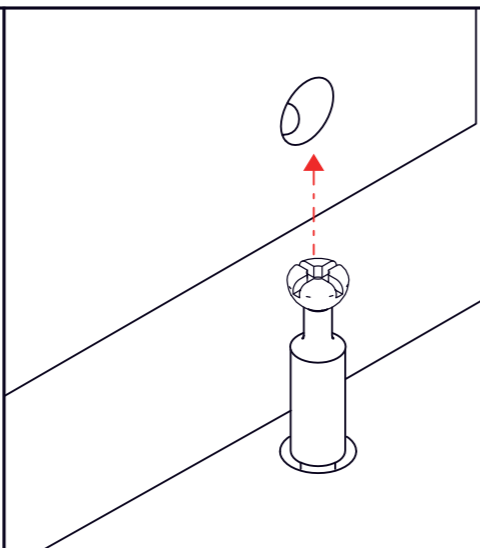
Rotate Panel 9 by 180°.



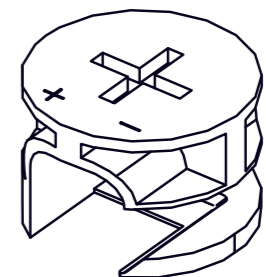
Then connect Panel 9 to Panels 2, 3, 8, and 11, install the Cam wheels (A) on Panels 2, 3, 8, and 11, and rotate to tighten.



Cam wheel Diagram



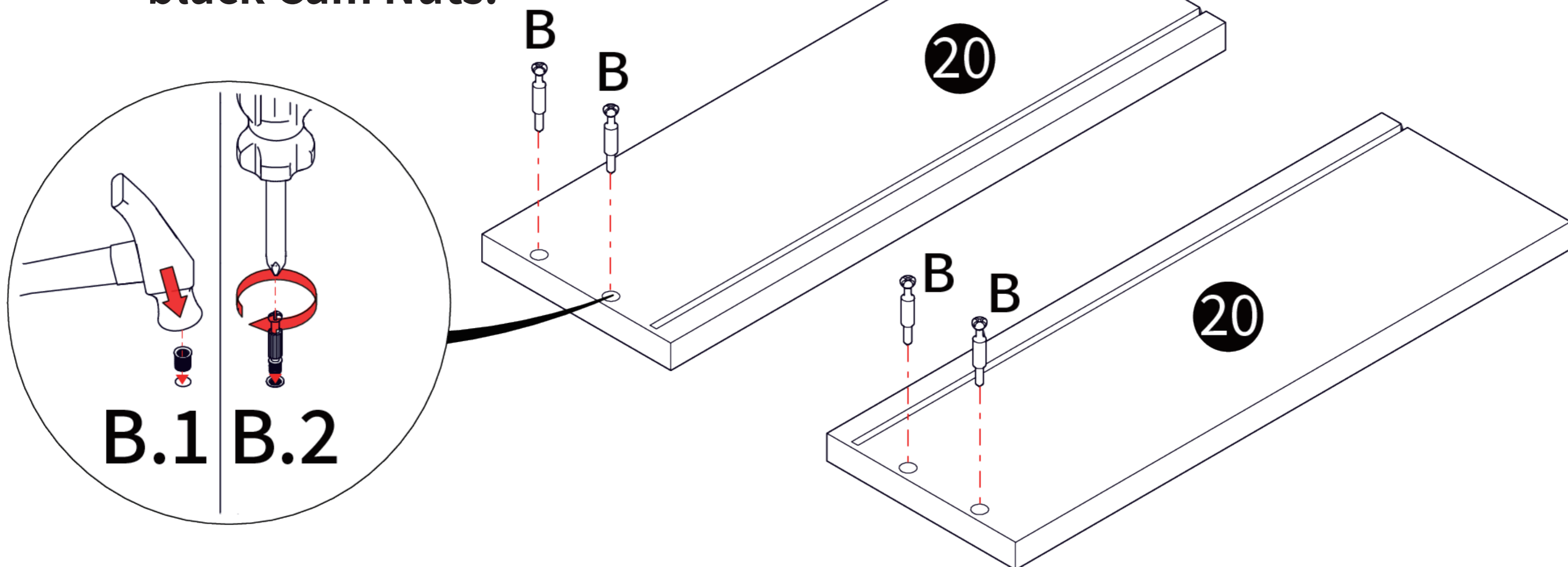
A*8



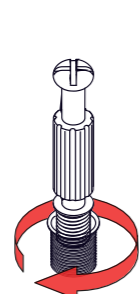
Cam wheel

23

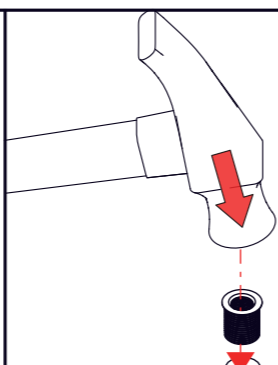
As shown in the illustration, tap the black Cam Nuts (B.1) into Panels 21 and 20 first, then use a screwdriver to screw the Cam bolts (B.2) into the black Cam Nuts.



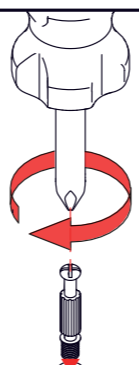
Cam bolt Diagram



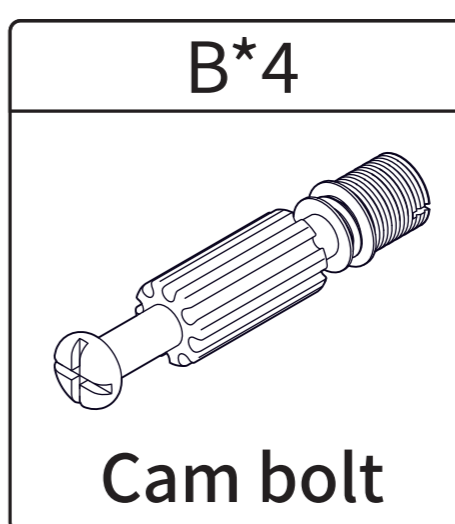
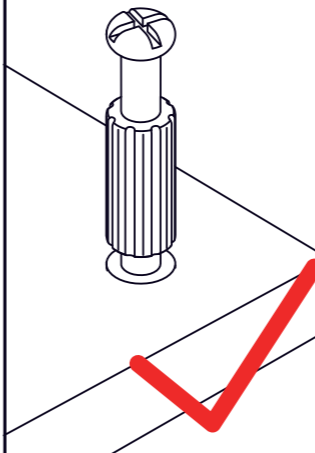
Unscrew the Cam Nut



Hammer into the hole

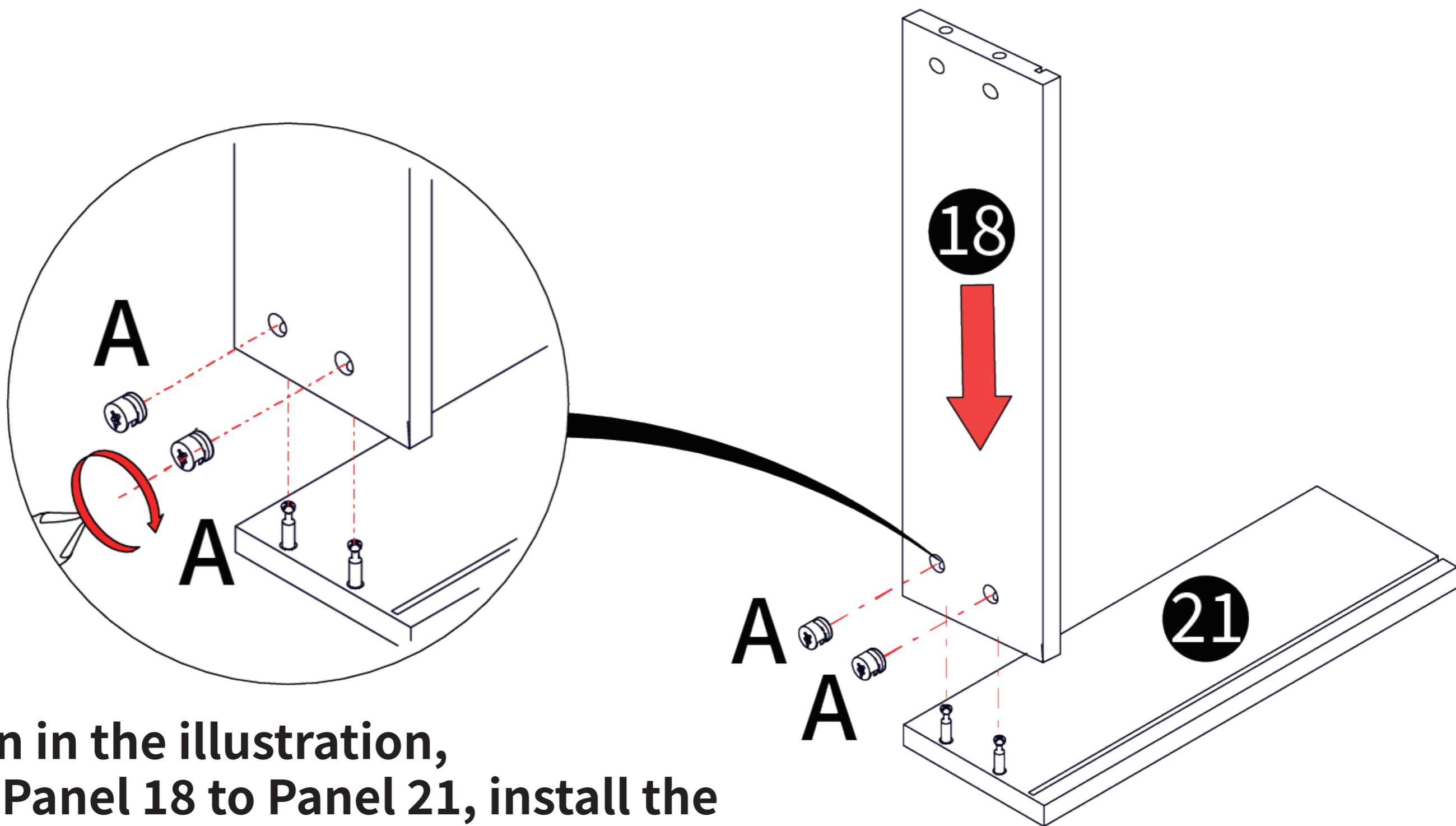


Screw in the Cam Dowel



Cam bolt

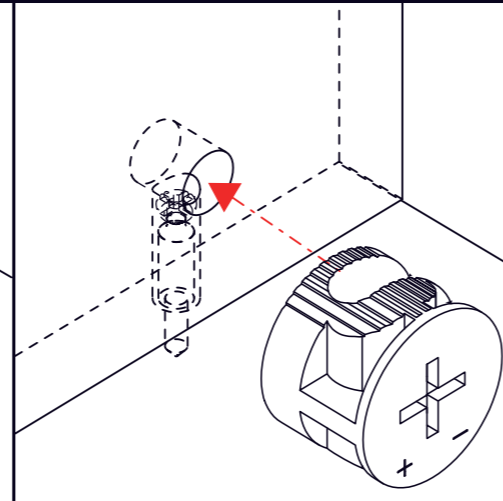
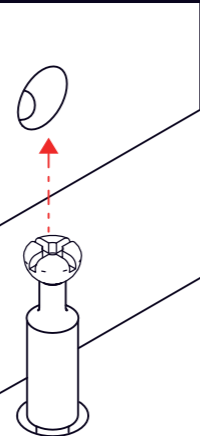
24



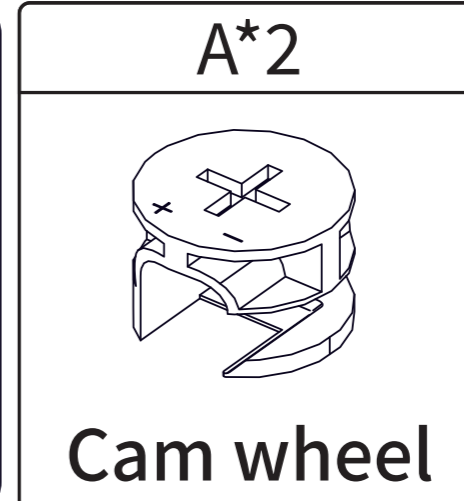
As shown in the illustration, connect Panel 18 to Panel 21, install the Cam wheels (A) on Panel 18, then rotate to tighten.



Cam wheel Diagram

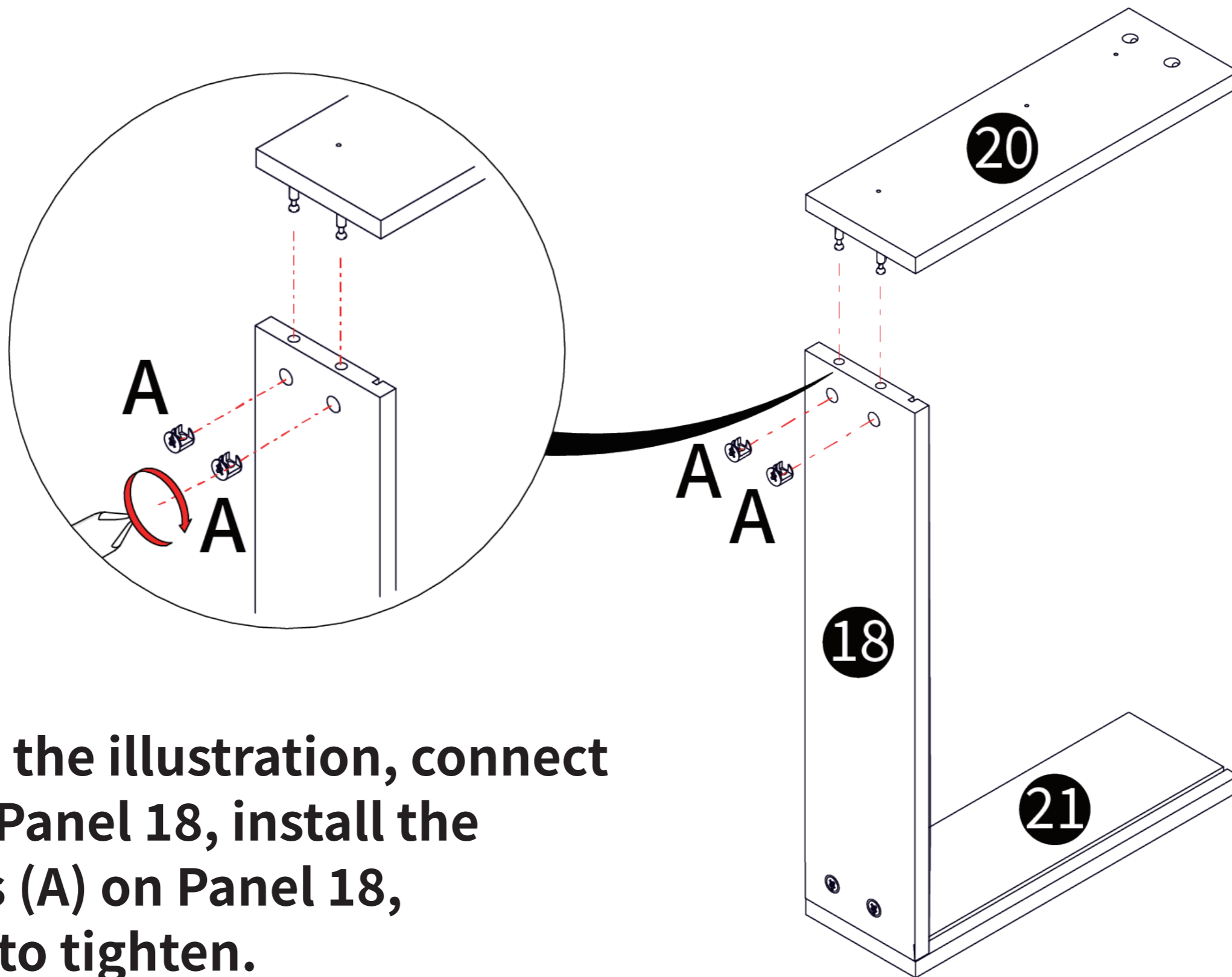


Rotate in the [+]
direction



Cam wheel

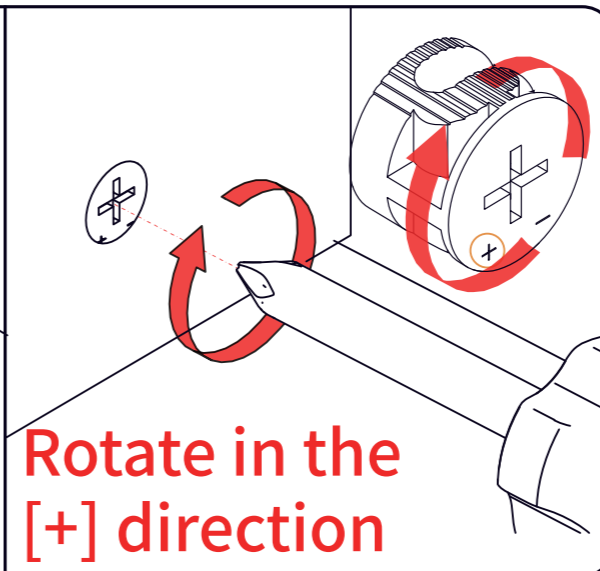
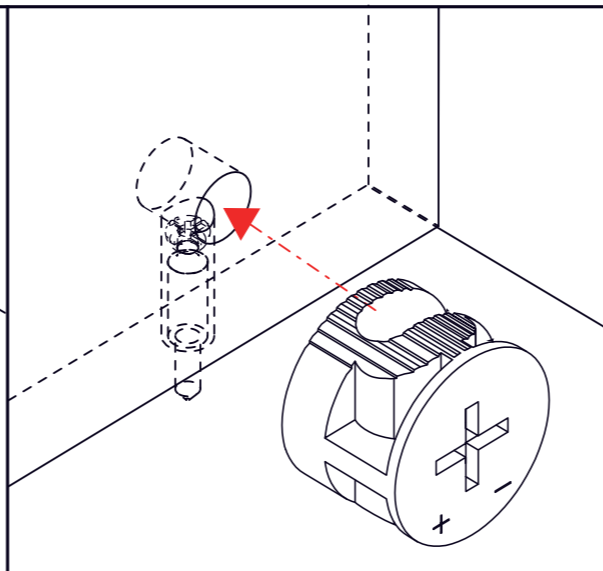
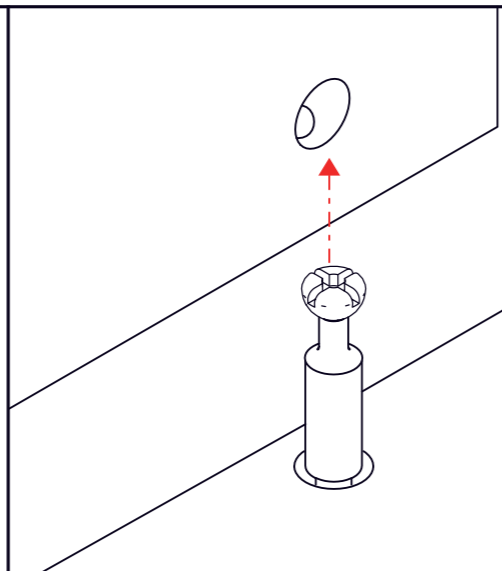
25



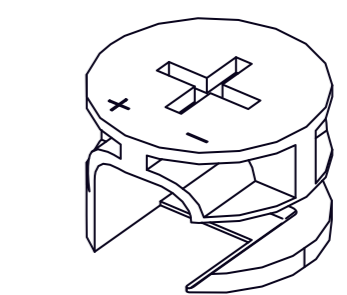
As shown in the illustration, connect Panel 20 to Panel 18, install the Cam wheels (A) on Panel 18, then rotate to tighten.



Cam wheel Diagram



A*2

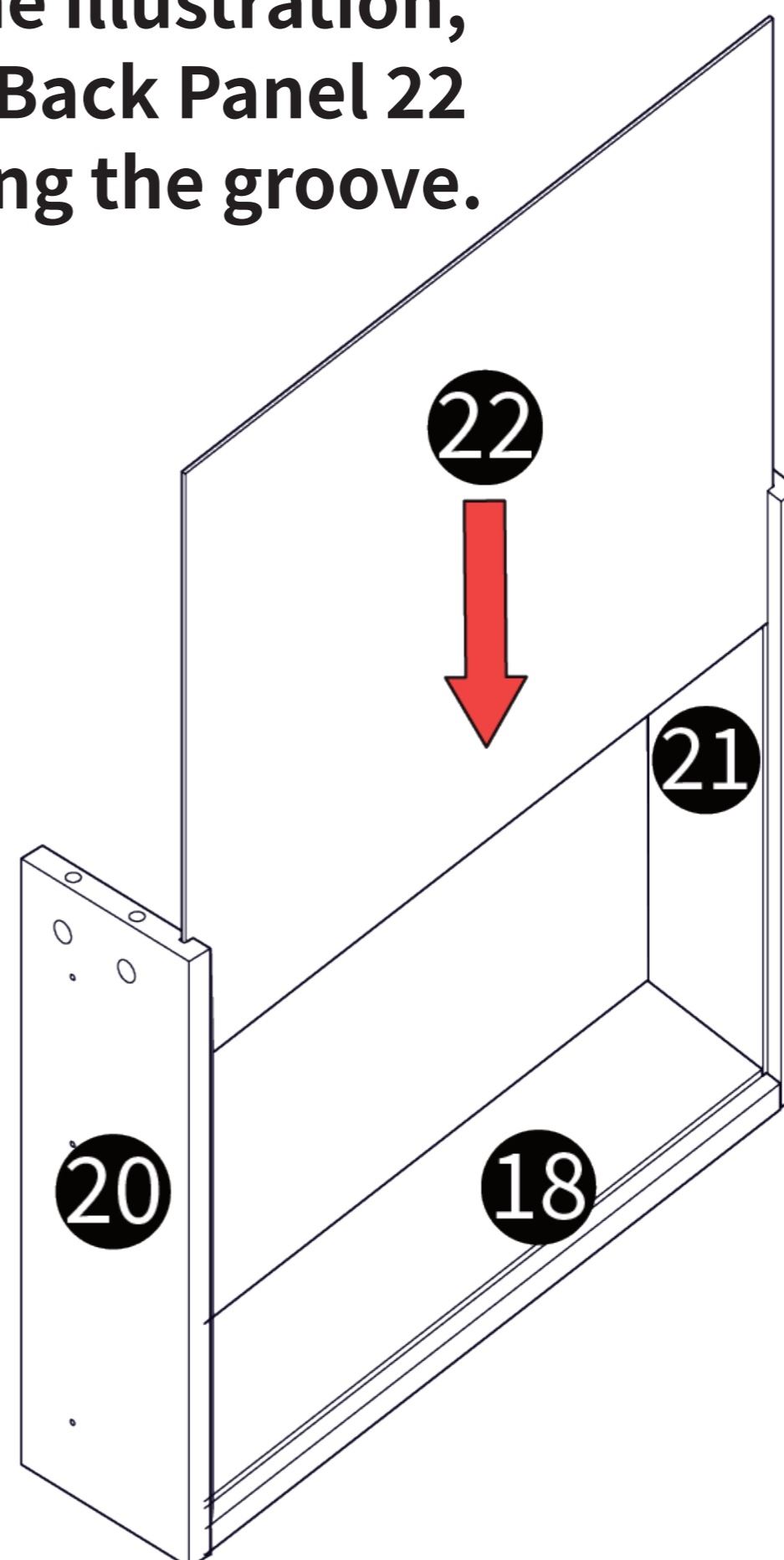
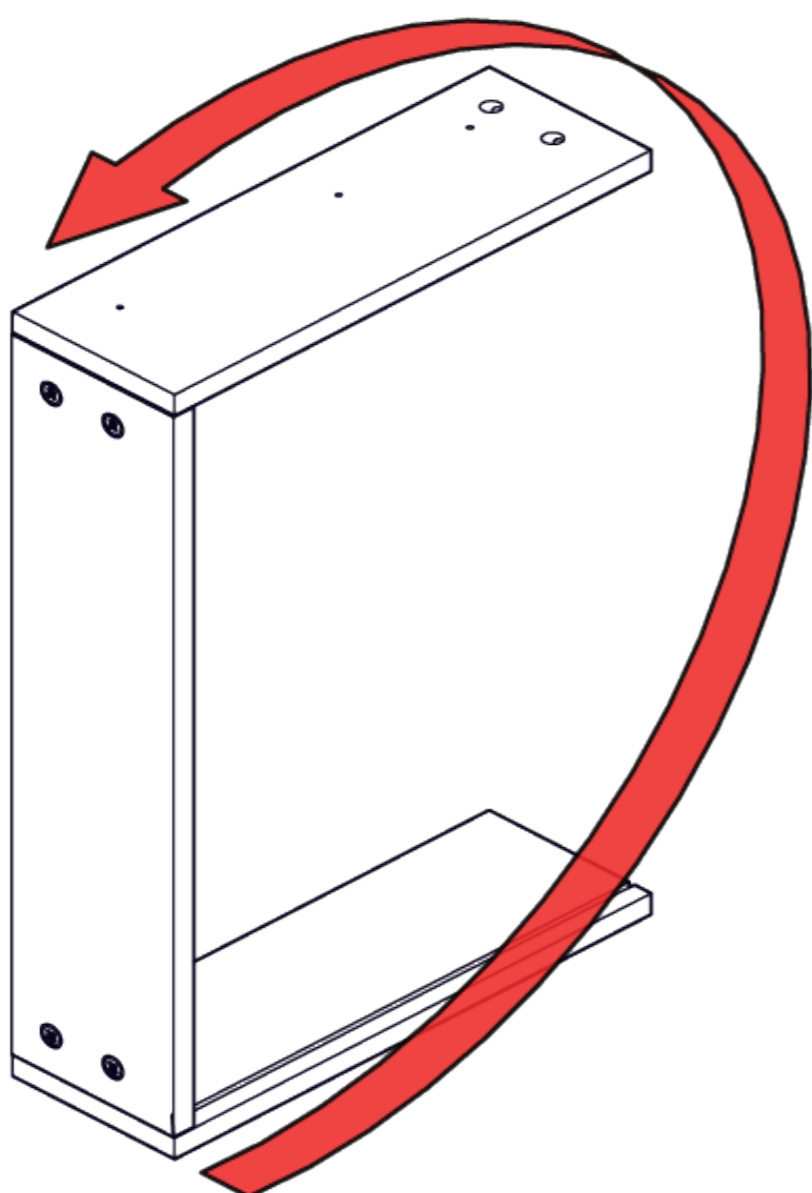


Cam wheel

26

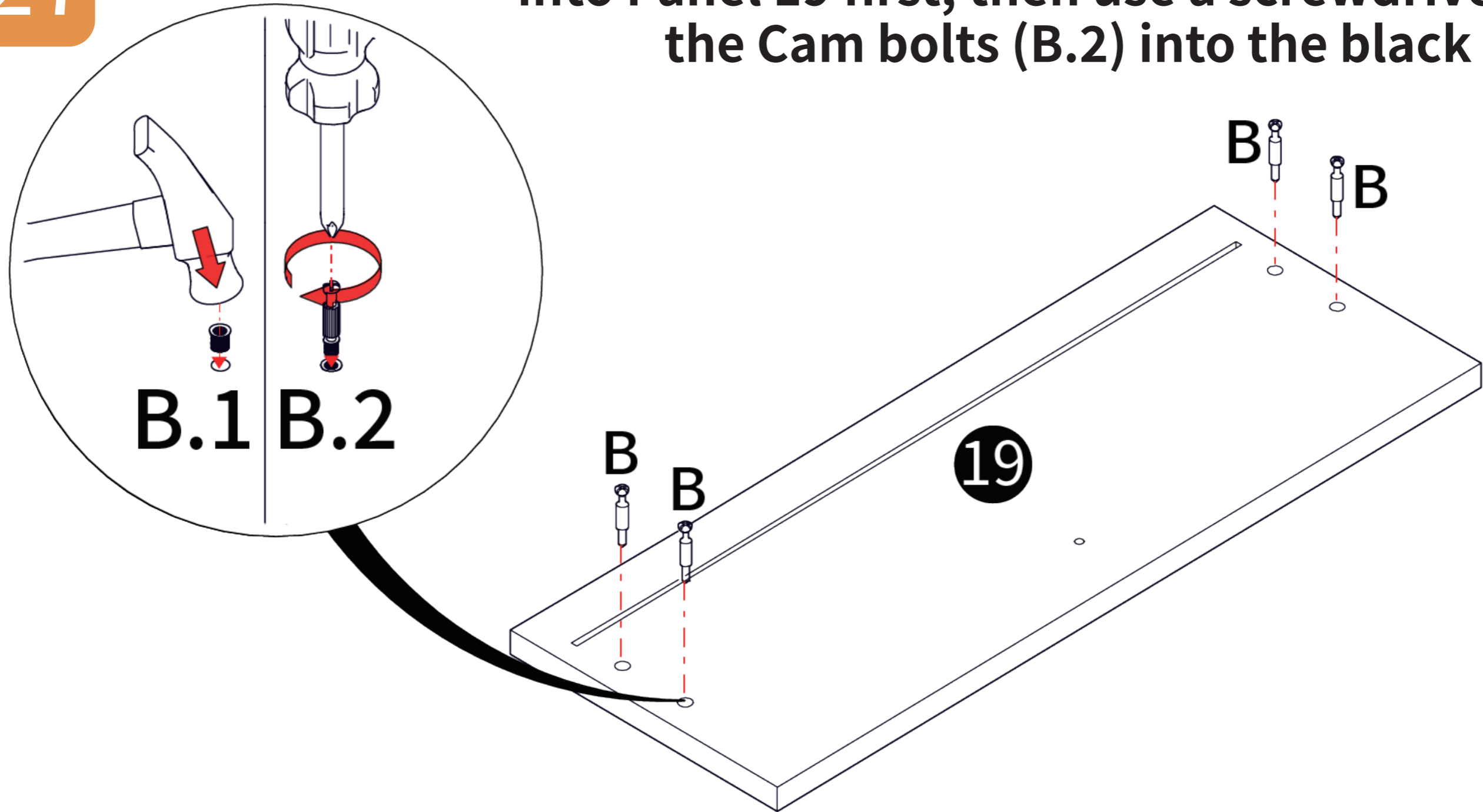
As shown in the illustration, insert Back Panel 22 along the groove.

Rotate the cabinet body by 90°.

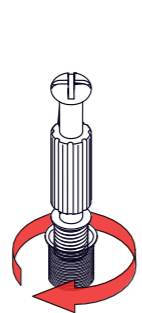


27

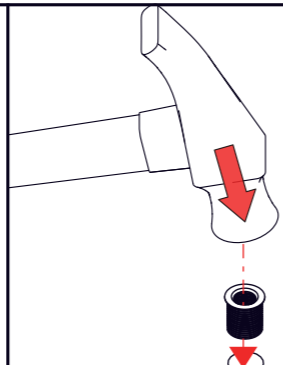
As shown in the illustration, tap the black Cam Nuts (B.1) into Panel 19 first, then use a screwdriver to screw the Cam bolts (B.2) into the black Cam Nuts.



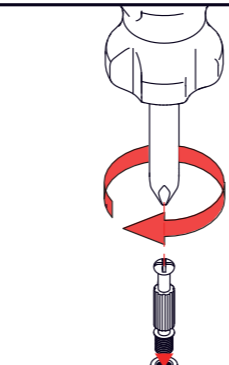
Cam bolt Diagram



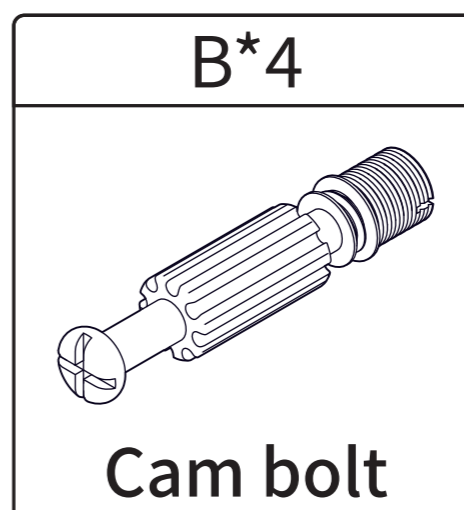
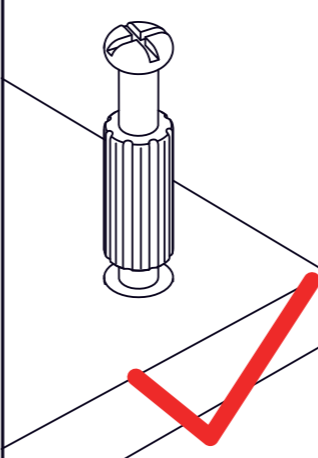
Unscrew the Cam Nut



Hammer into the hole

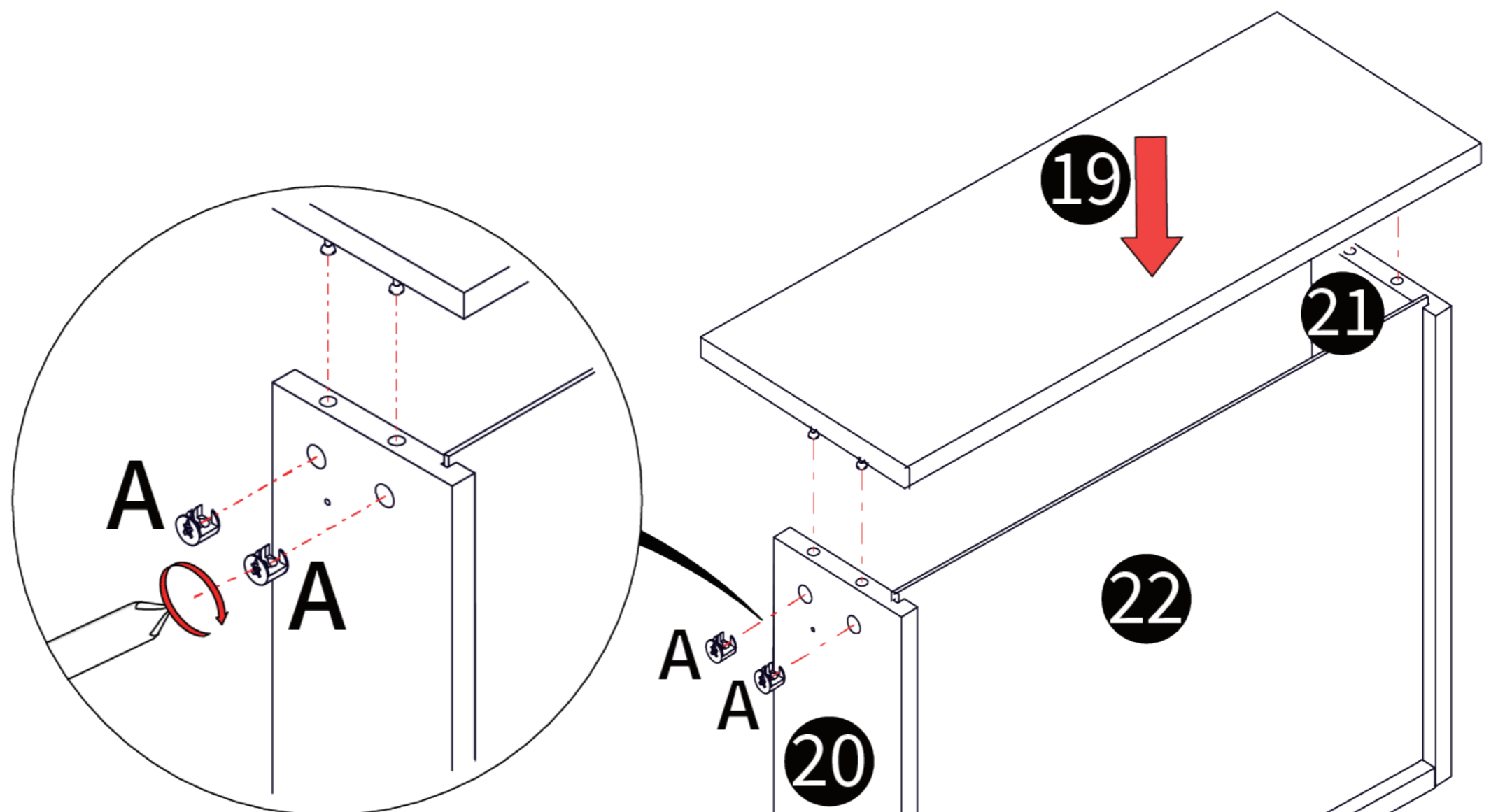


Screw in the Cam Dowel



Cam bolt

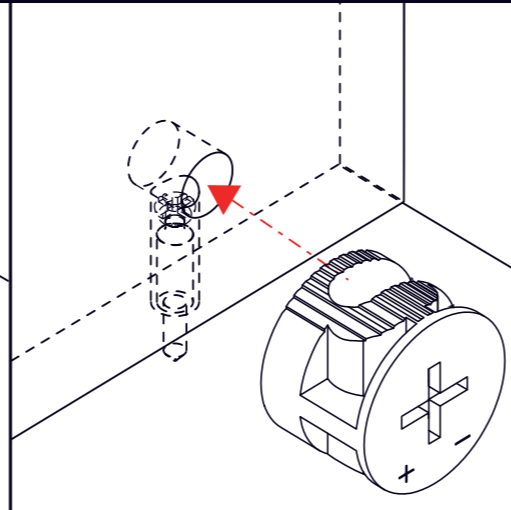
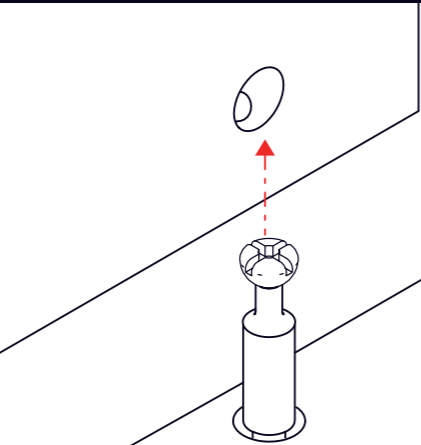
28



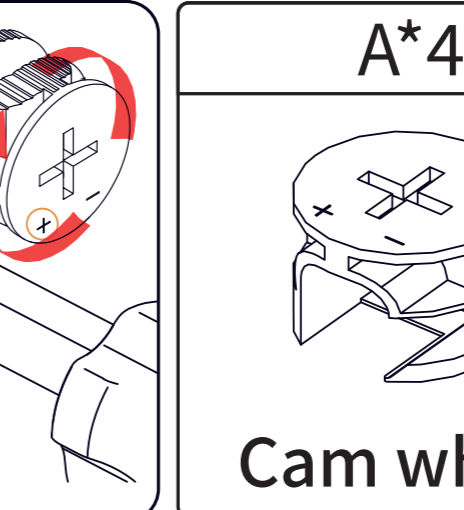
As shown in the illustration, connect Panel 19 to Panels 20, 22, and 21, install the Cam wheels (A) on Panels 20 and 21, then rotate to tighten.



Cam wheel Diagram



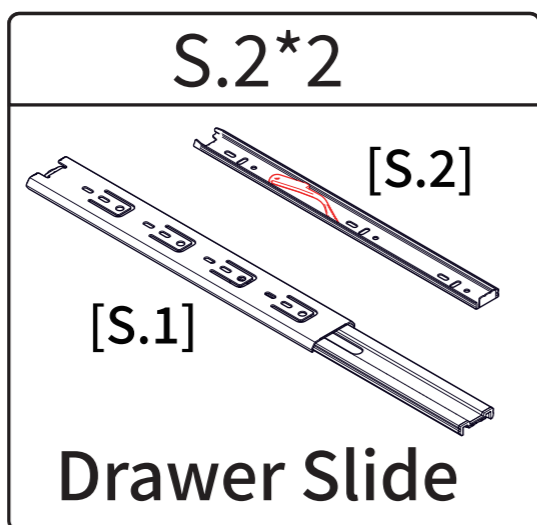
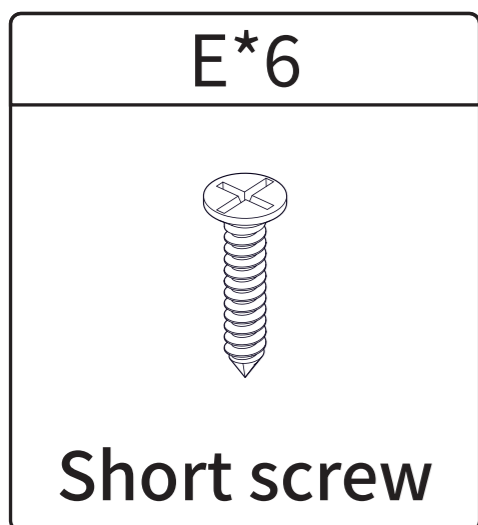
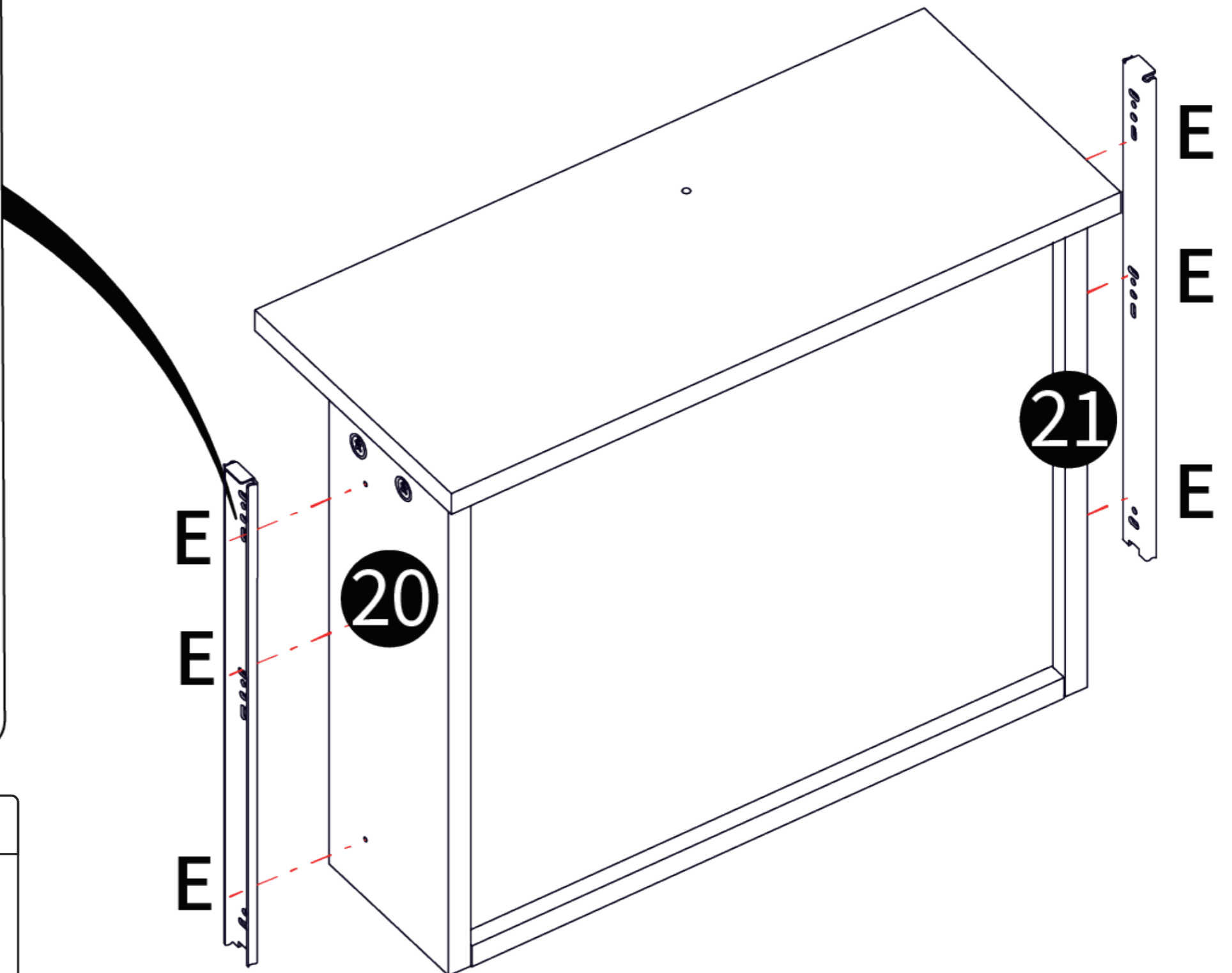
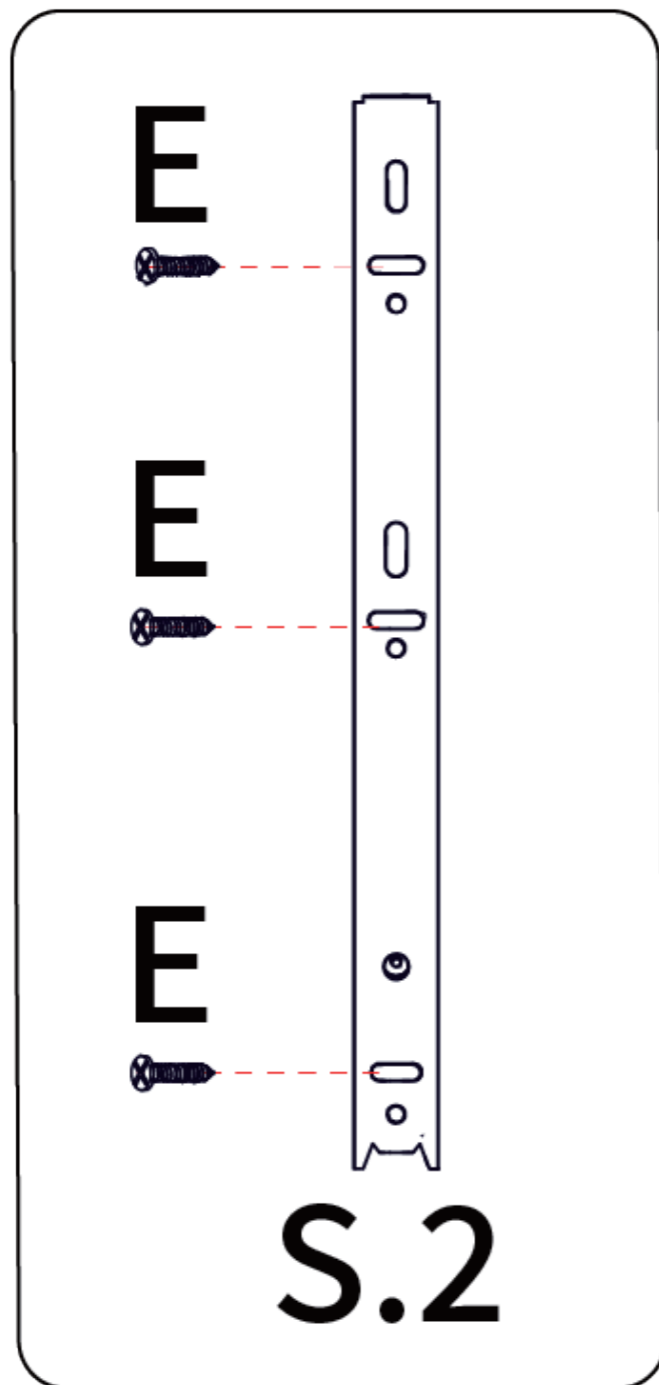
Rotate in the [+]
direction



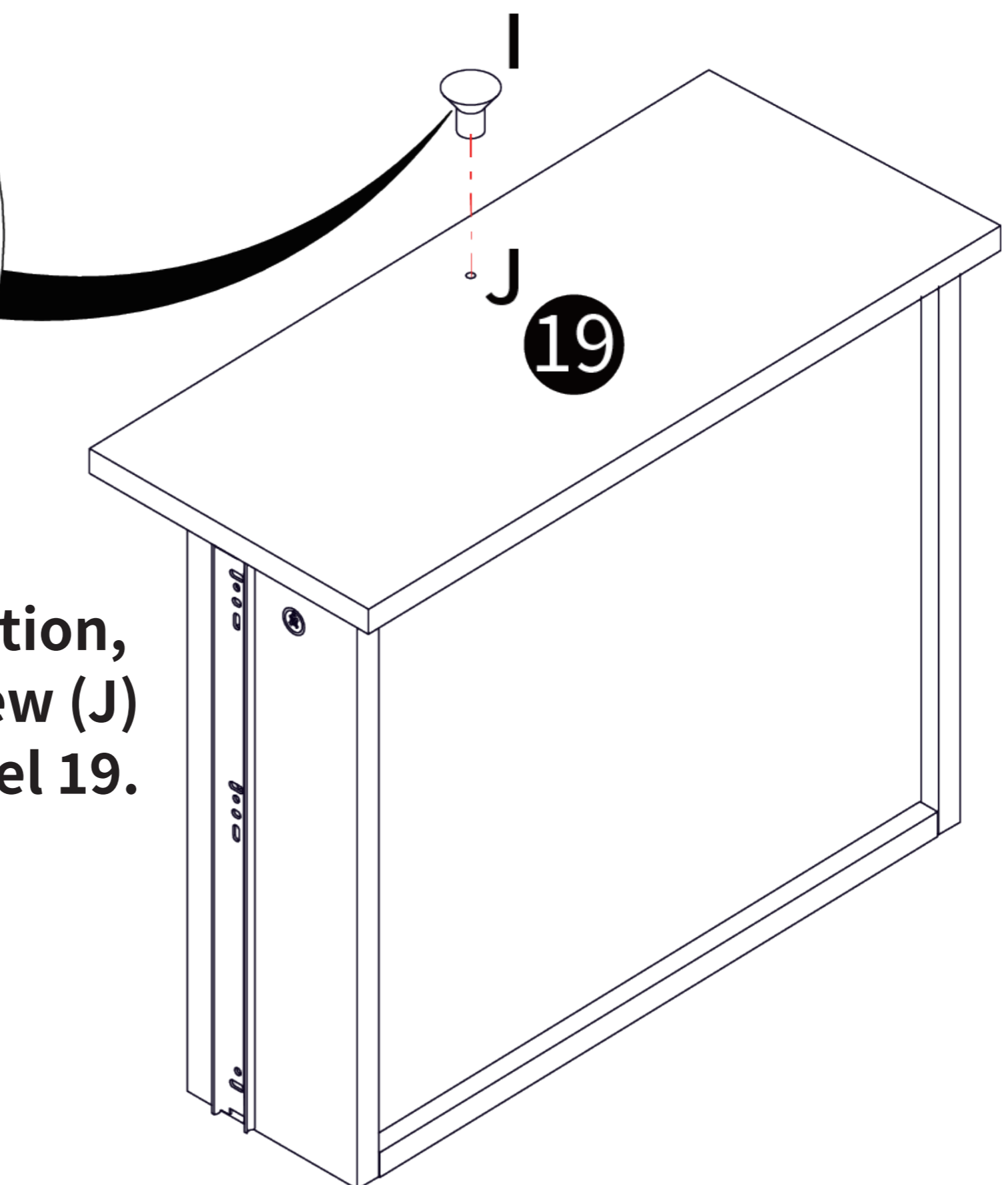
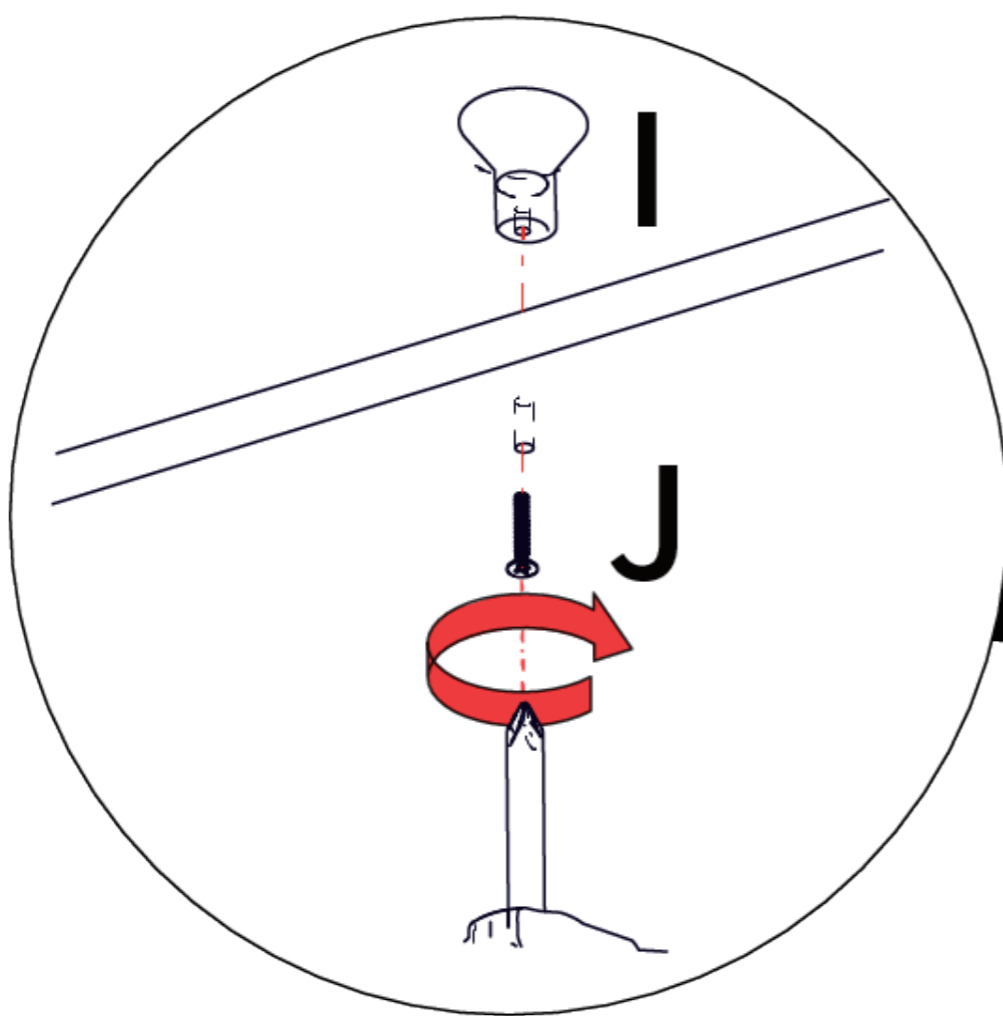
Cam wheel

29

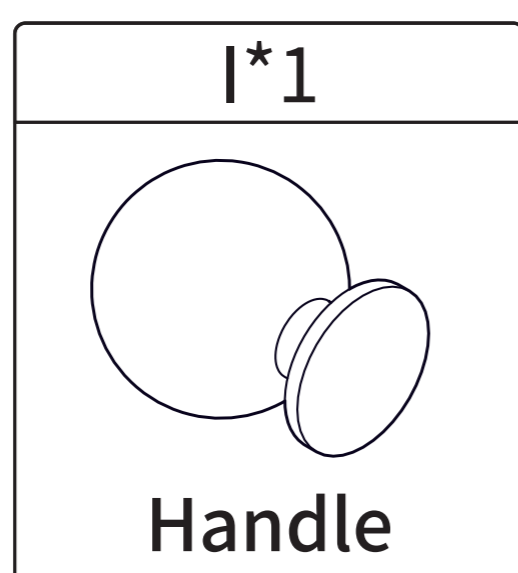
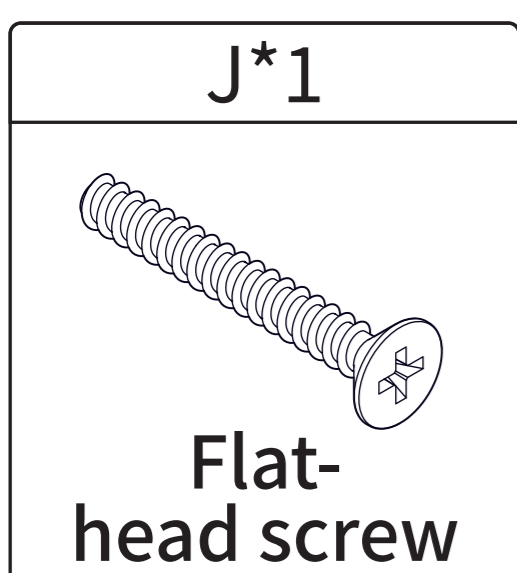
As shown in the illustration, use short screws (E) to align the Drawer Slides (S.2) to the pre-drilled holes on Panels 20 and 21 and tighten them.



30

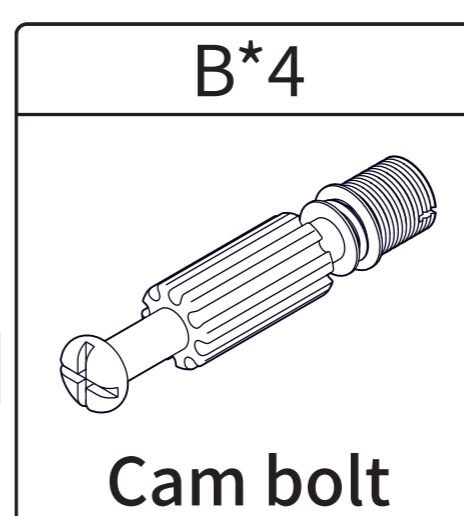
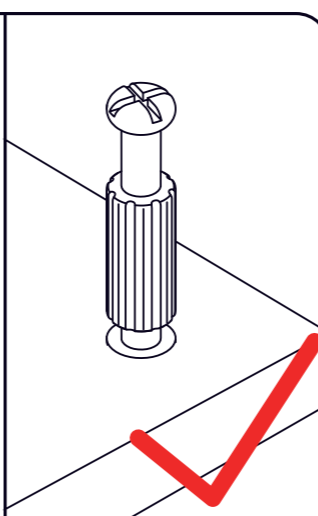
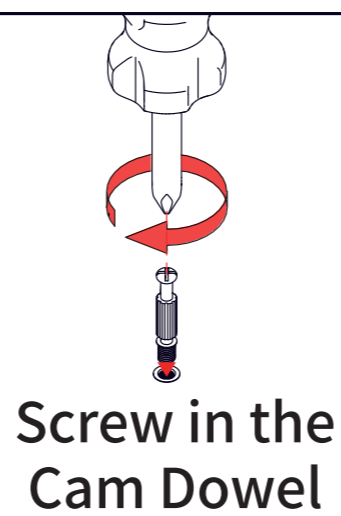
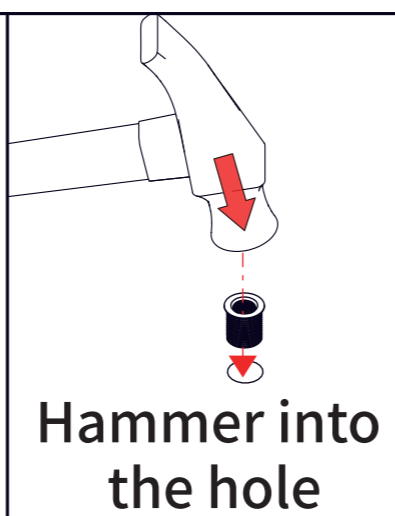
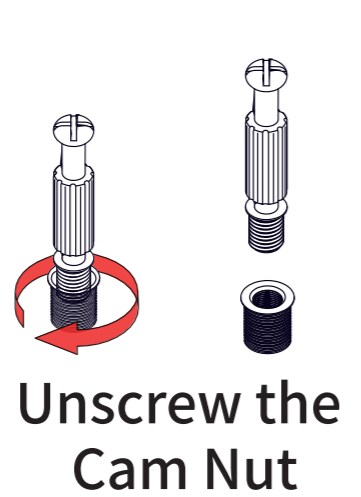
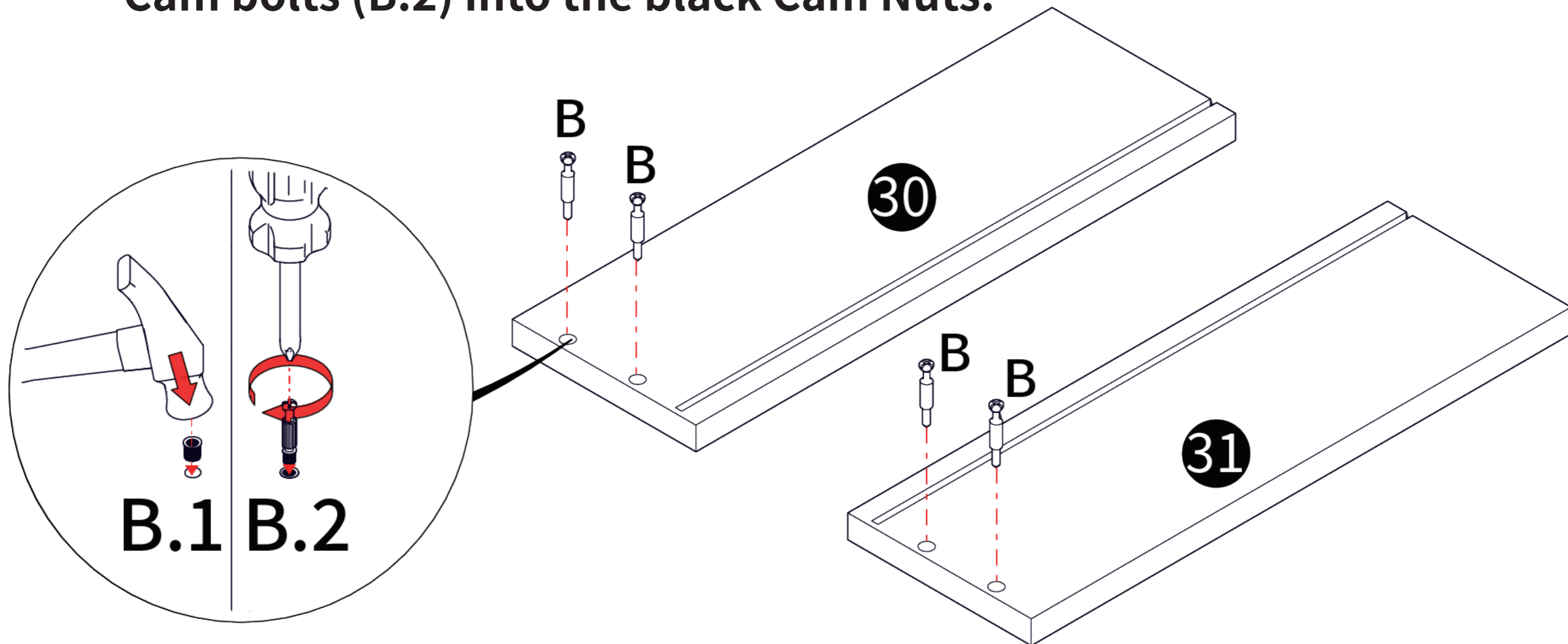


As shown in the illustration, use flat-head screw (J) to install Handle (I) onto Panel 19.



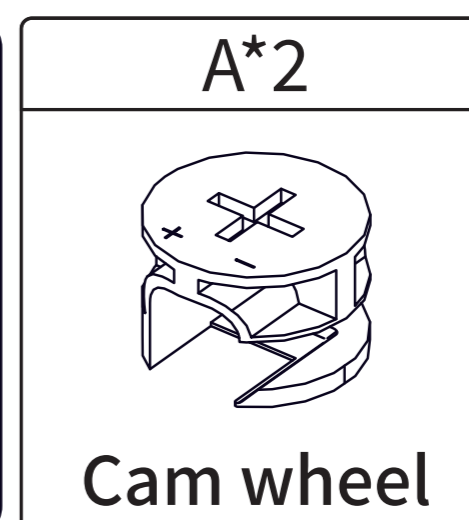
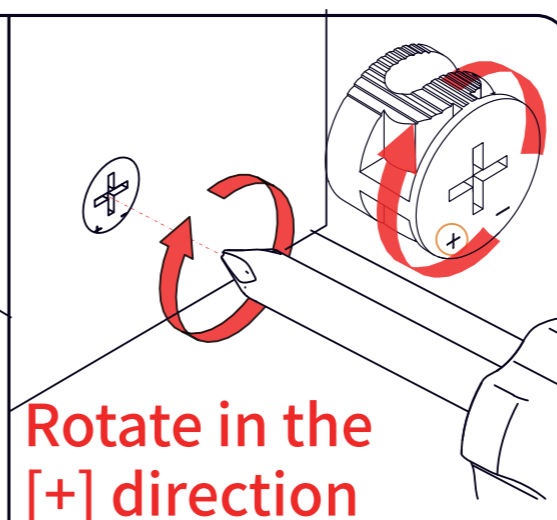
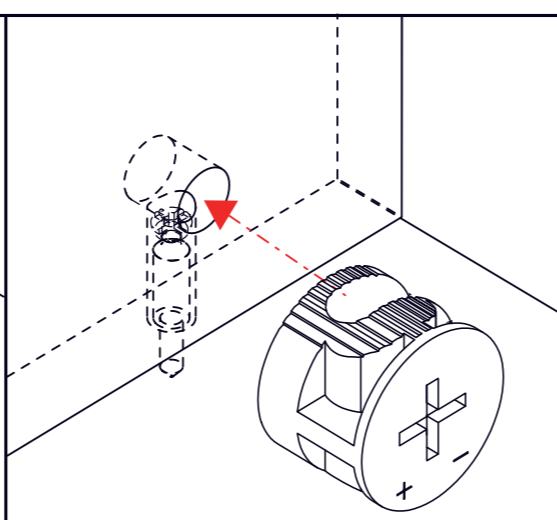
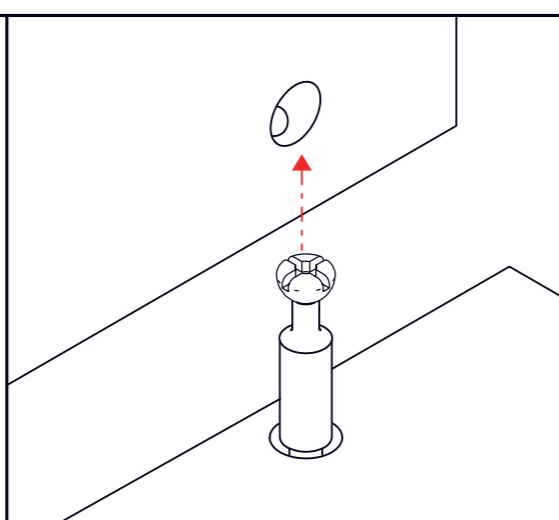
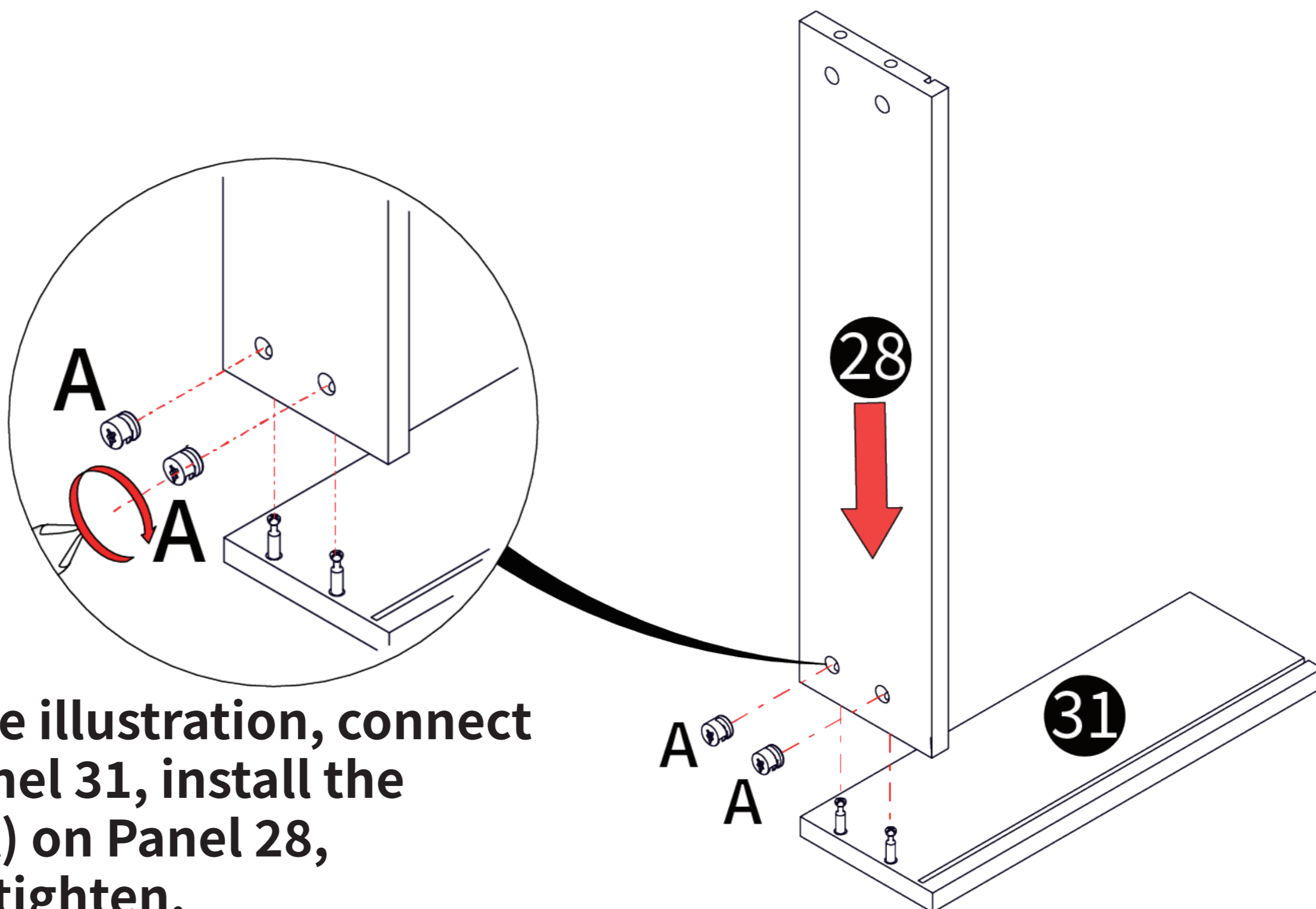
31

As shown in the illustration, tap the black Cam Nuts (B.1) into Panels 30 and 31 first, then use a screwdriver to screw the Cam bolts (B.2) into the black Cam Nuts.

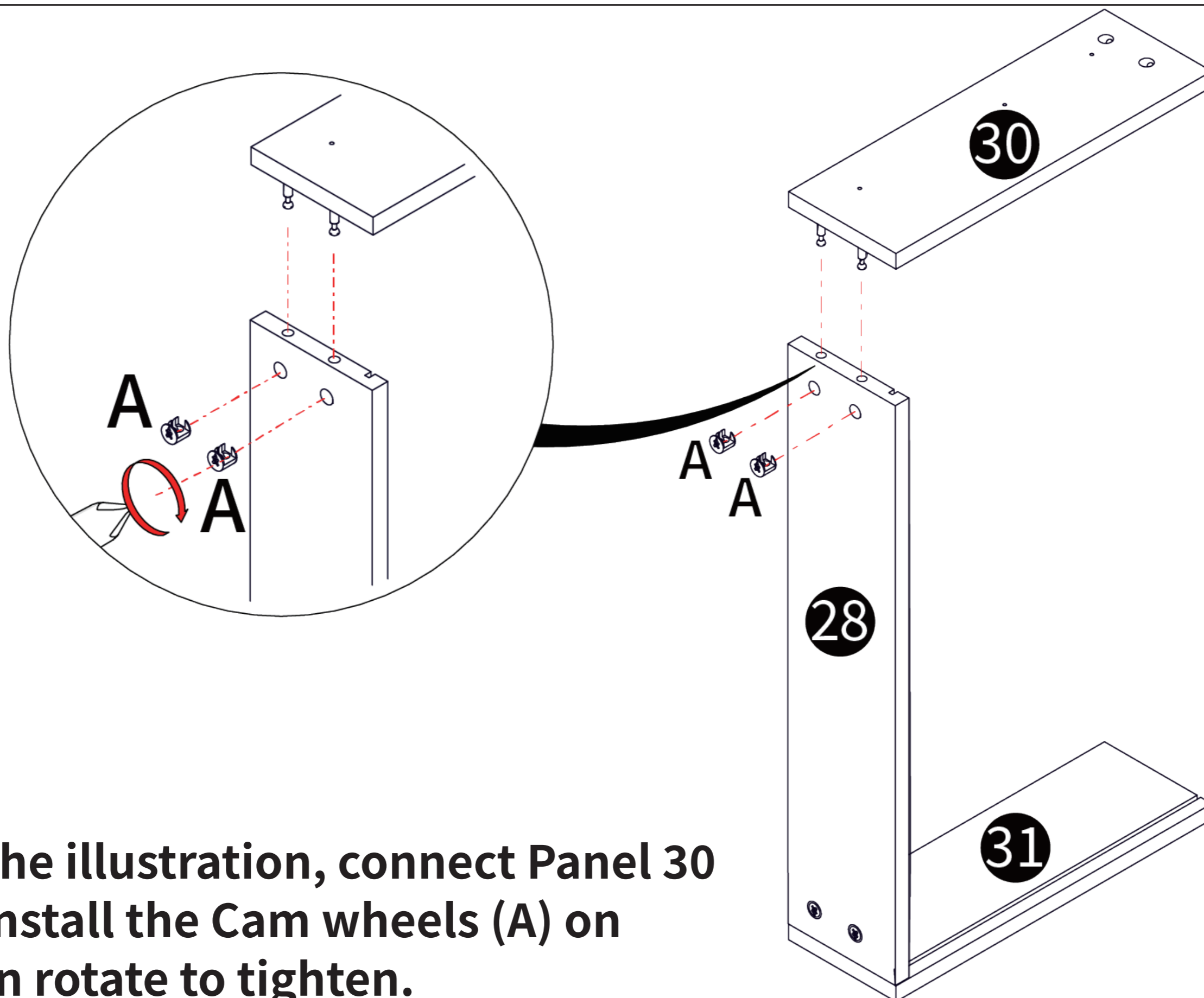


32

As shown in the illustration, connect Panel 28 to Panel 31, install the Cam wheels (A) on Panel 28, then rotate to tighten.



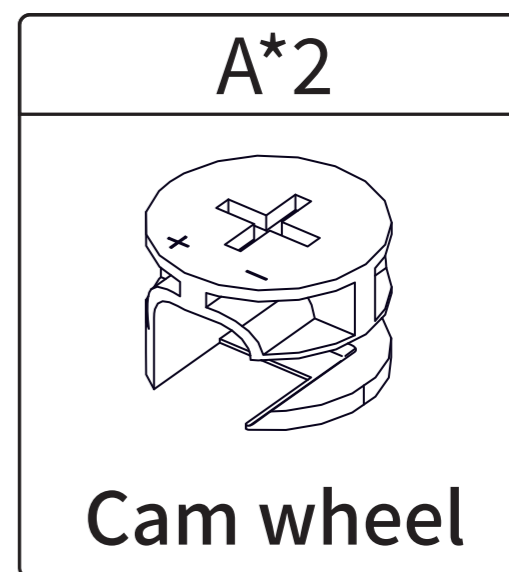
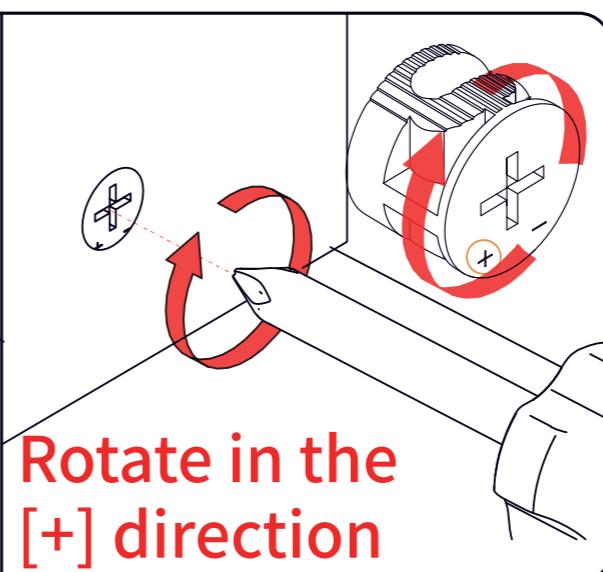
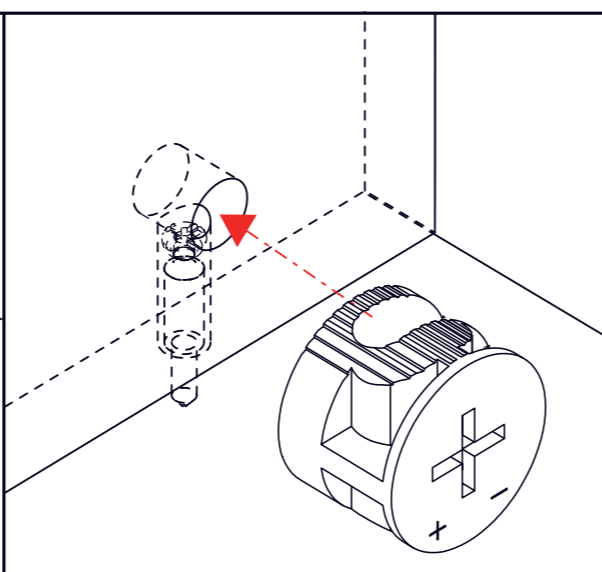
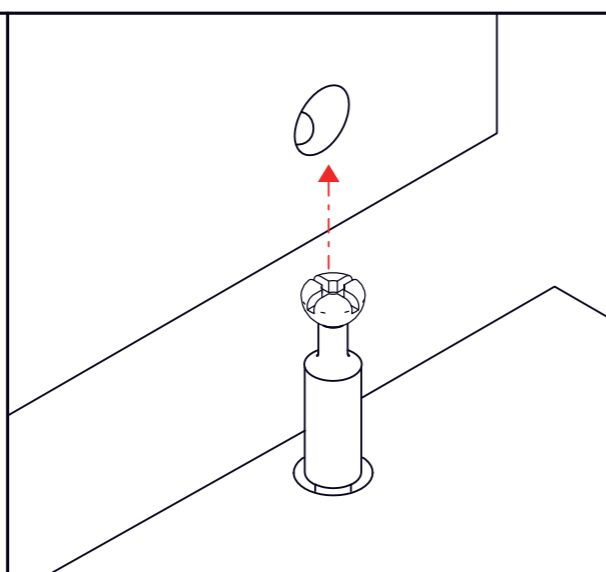
33



As shown in the illustration, connect Panel 30 to Panel 28, install the Cam wheels (A) on Panel 28, then rotate to tighten.



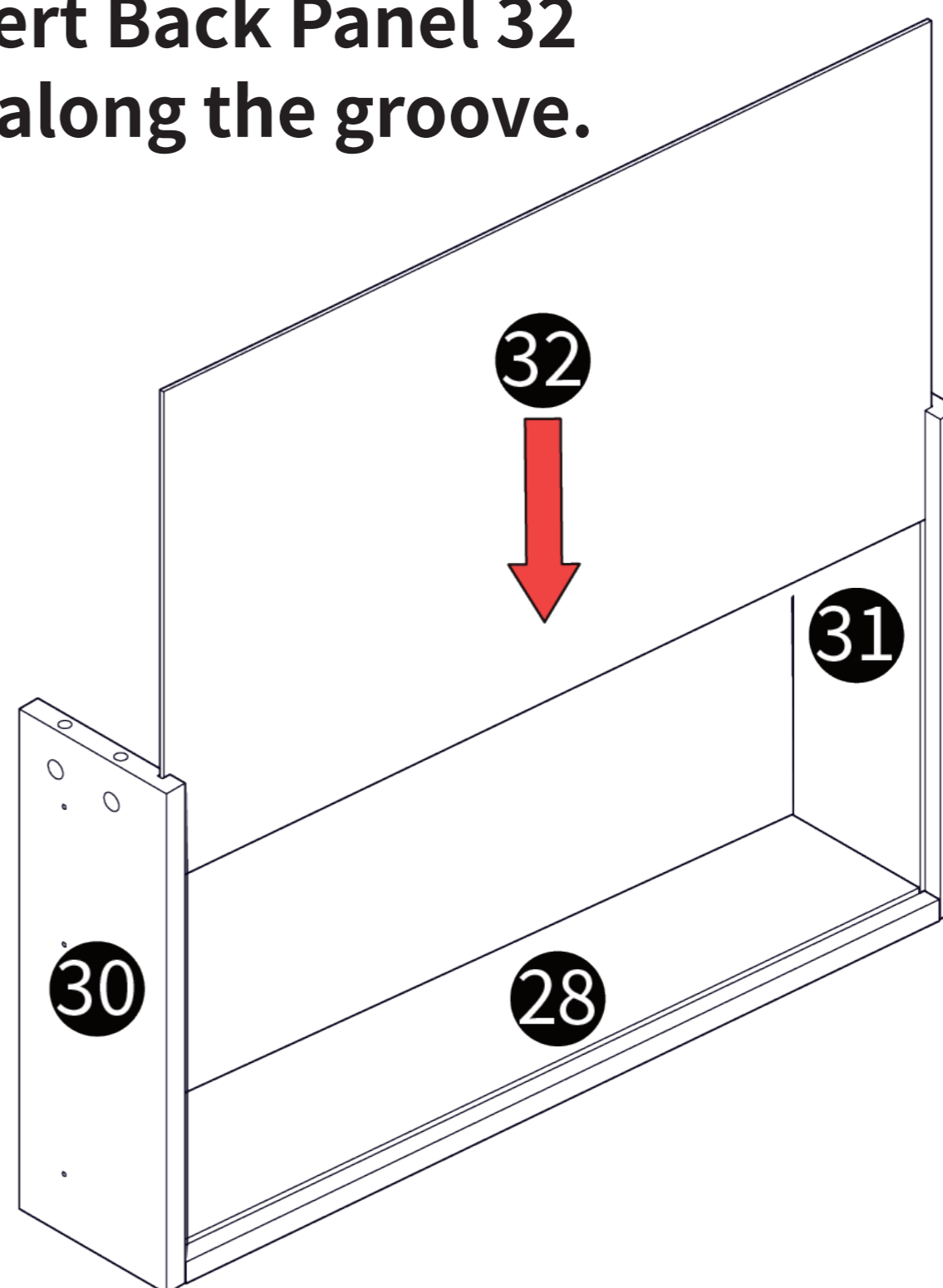
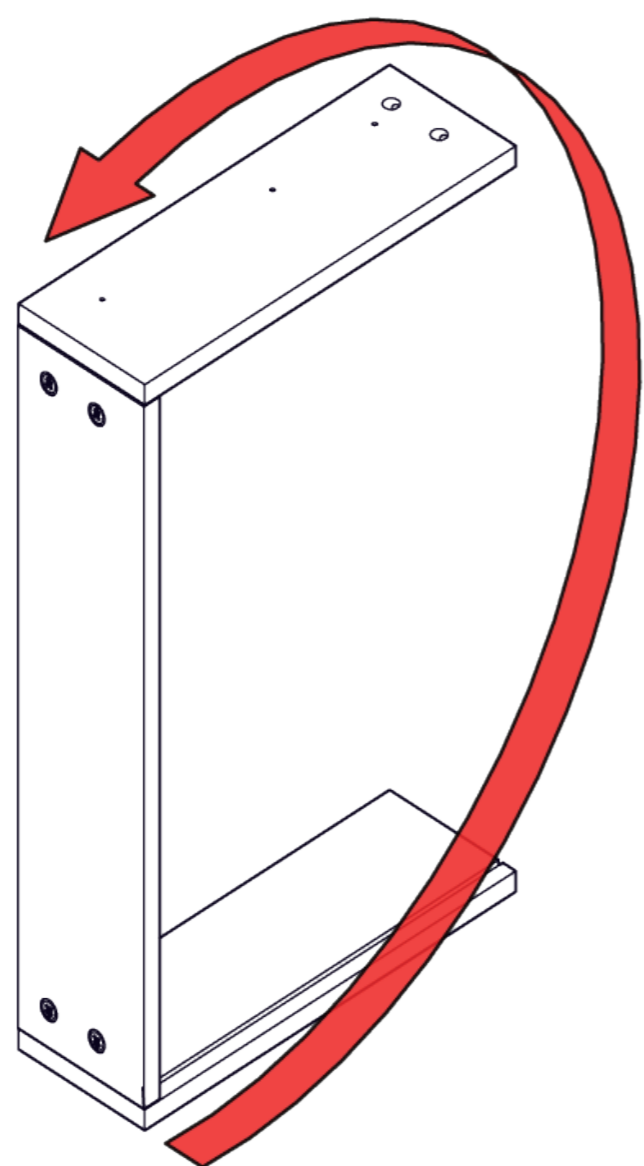
Cam wheel Diagram



34

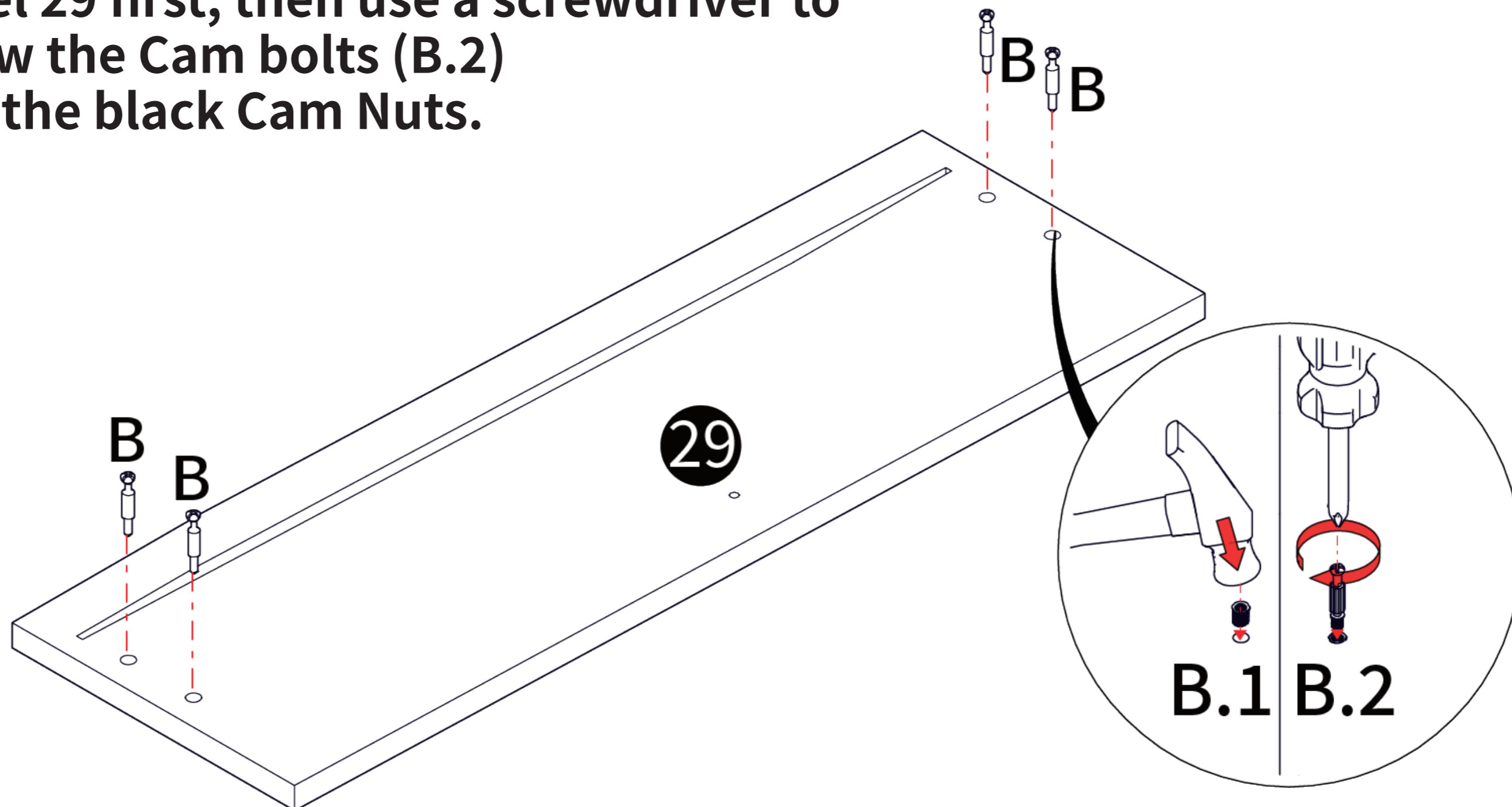
Insert Back Panel 32 along the groove.

Rotate the cabinet body by 90°.

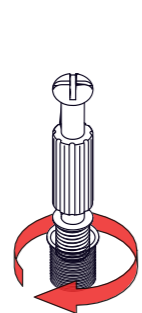


35

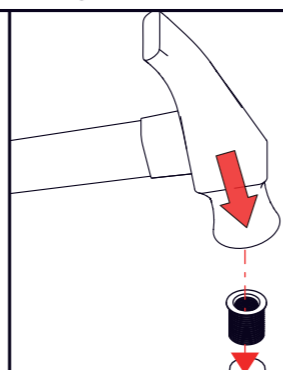
As shown in the illustration, tap the black Cam Nuts (B.1) into Panel 29 first, then use a screwdriver to screw the Cam bolts (B.2) into the black Cam Nuts.



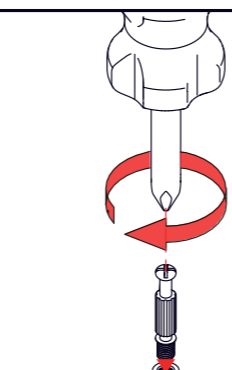
Cam bolt Diagram



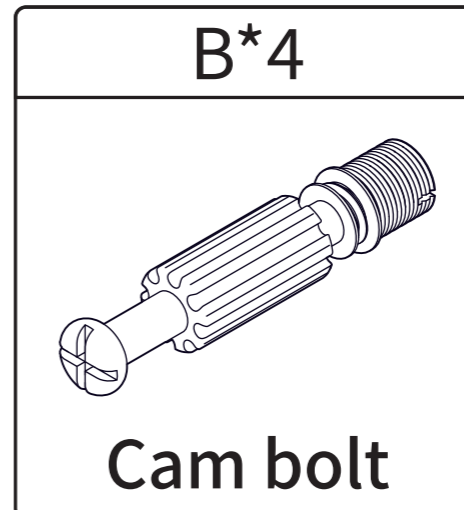
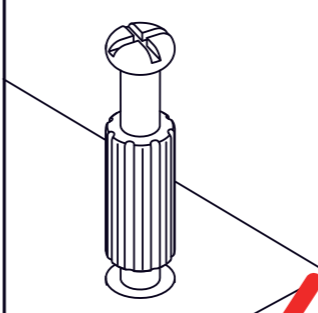
Unscrew the Cam Nut



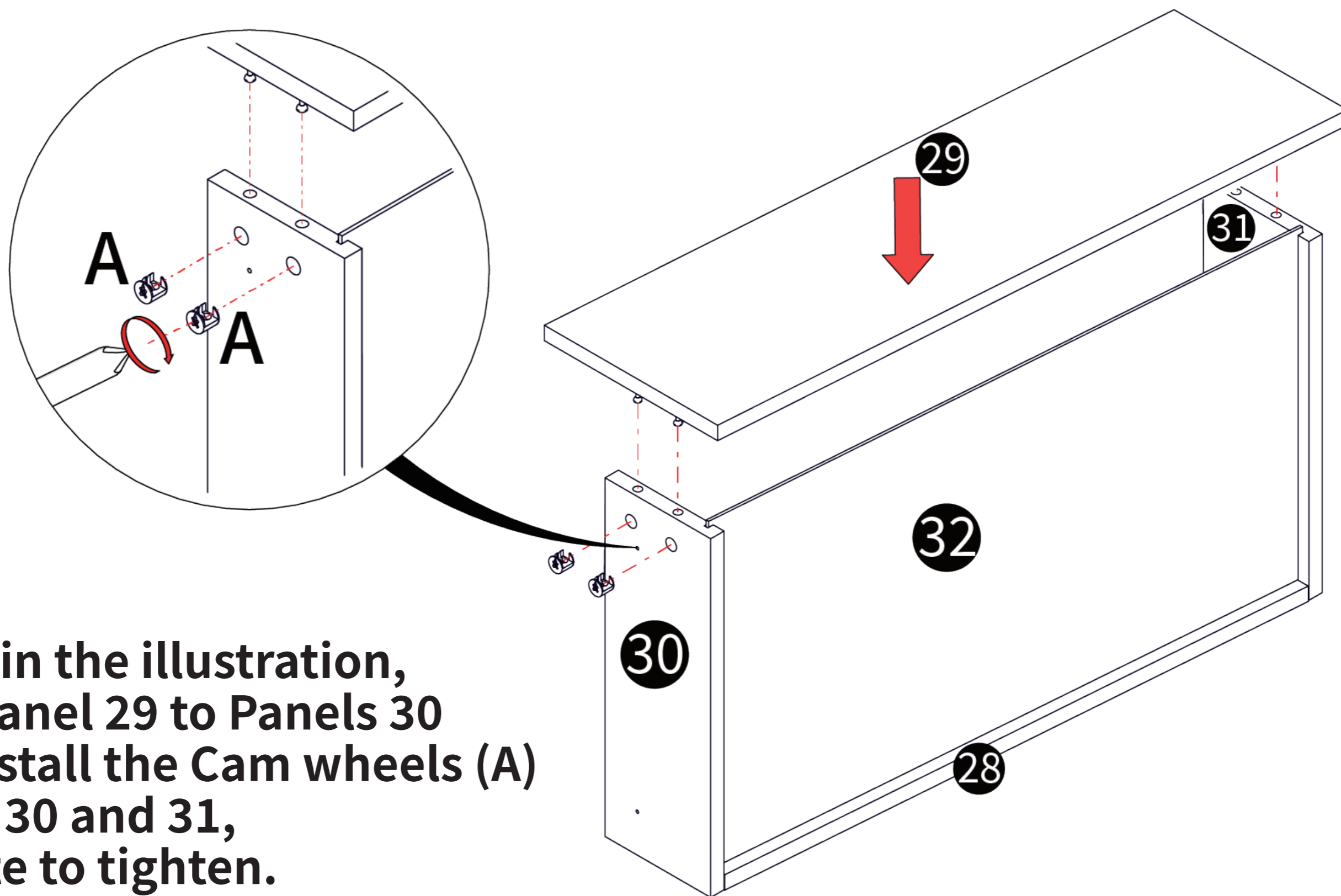
Hammer into the hole



Screw in the Cam Dowel



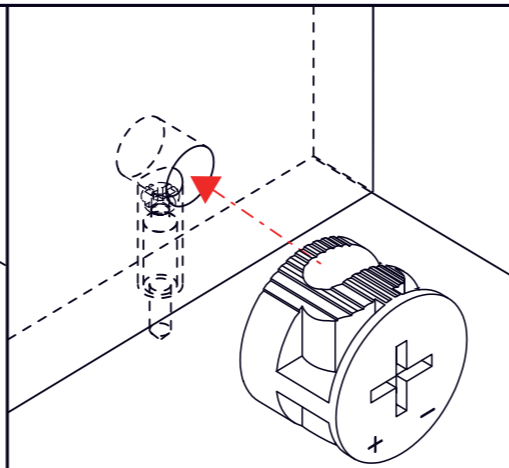
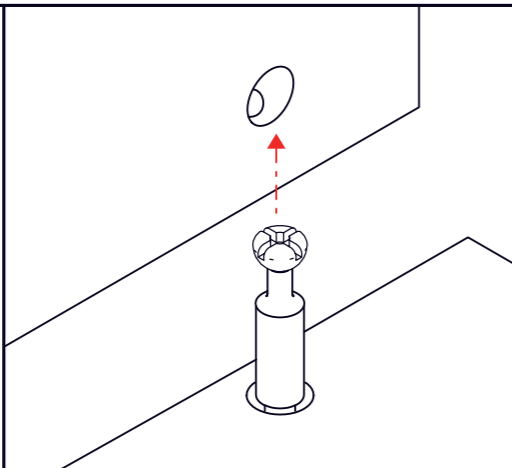
36



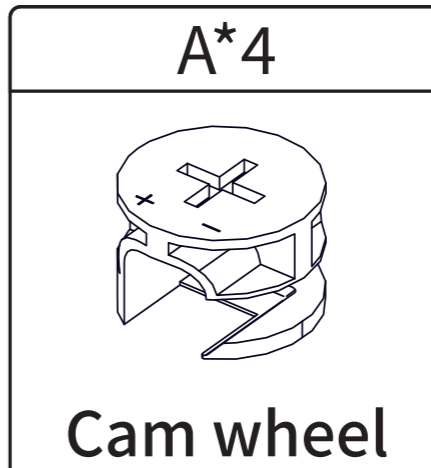
As shown in the illustration, connect Panel 29 to Panels 30 and 31, install the Cam wheels (A) on Panels 30 and 31, then rotate to tighten.



Cam wheel Diagram

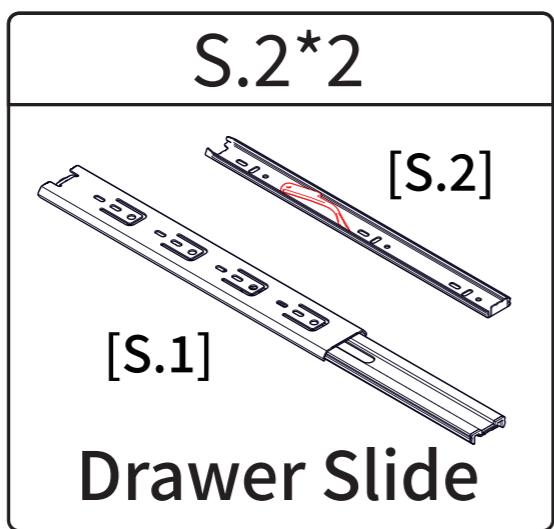
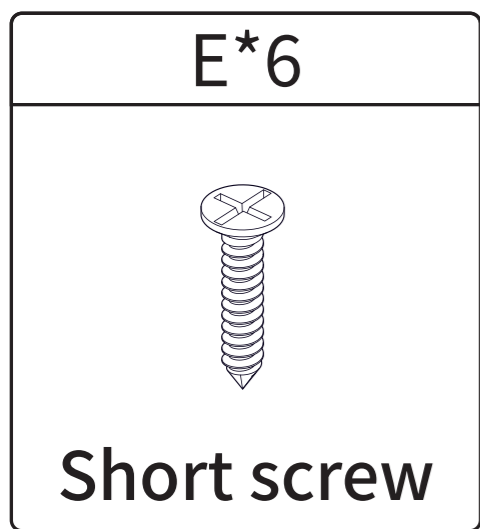
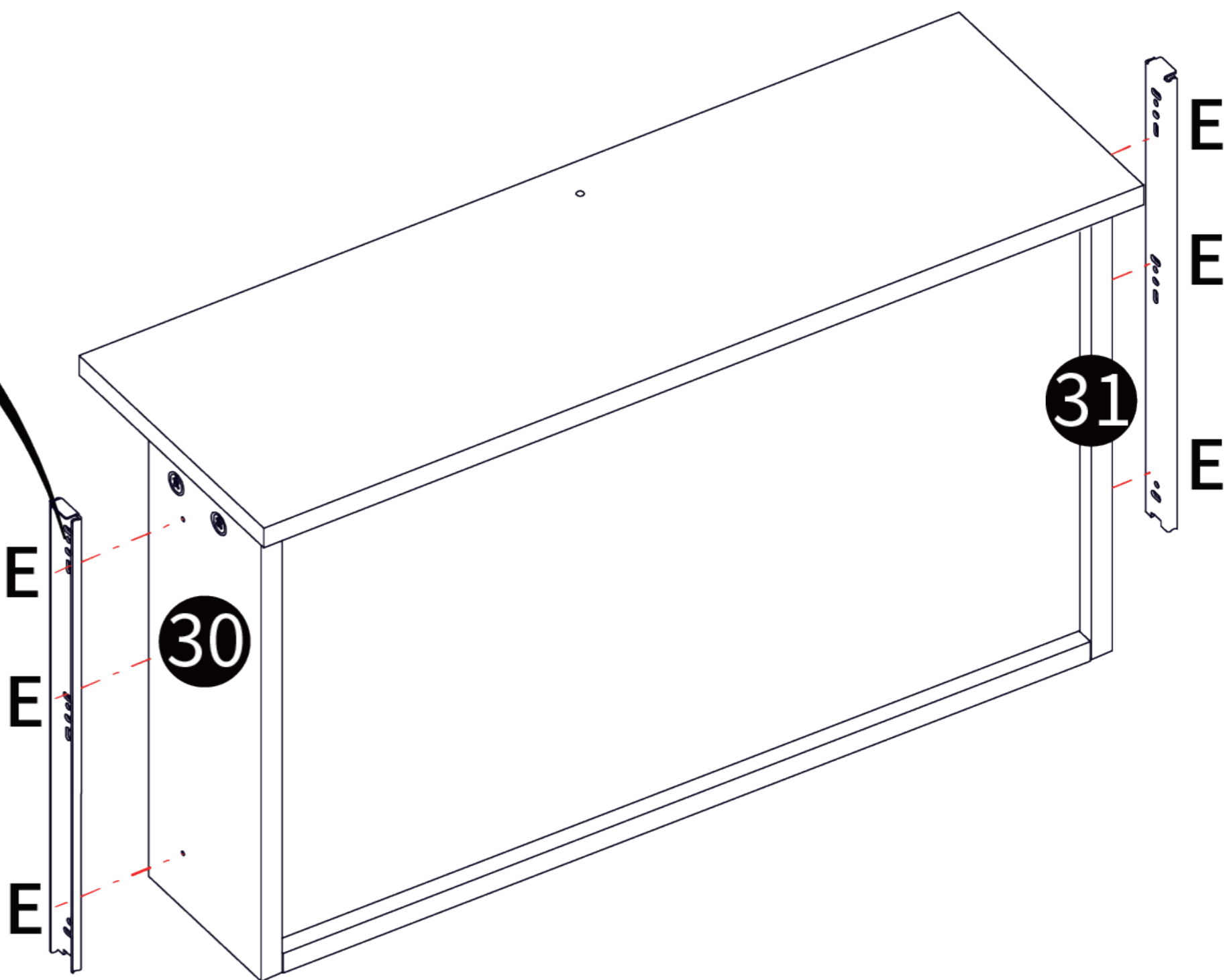
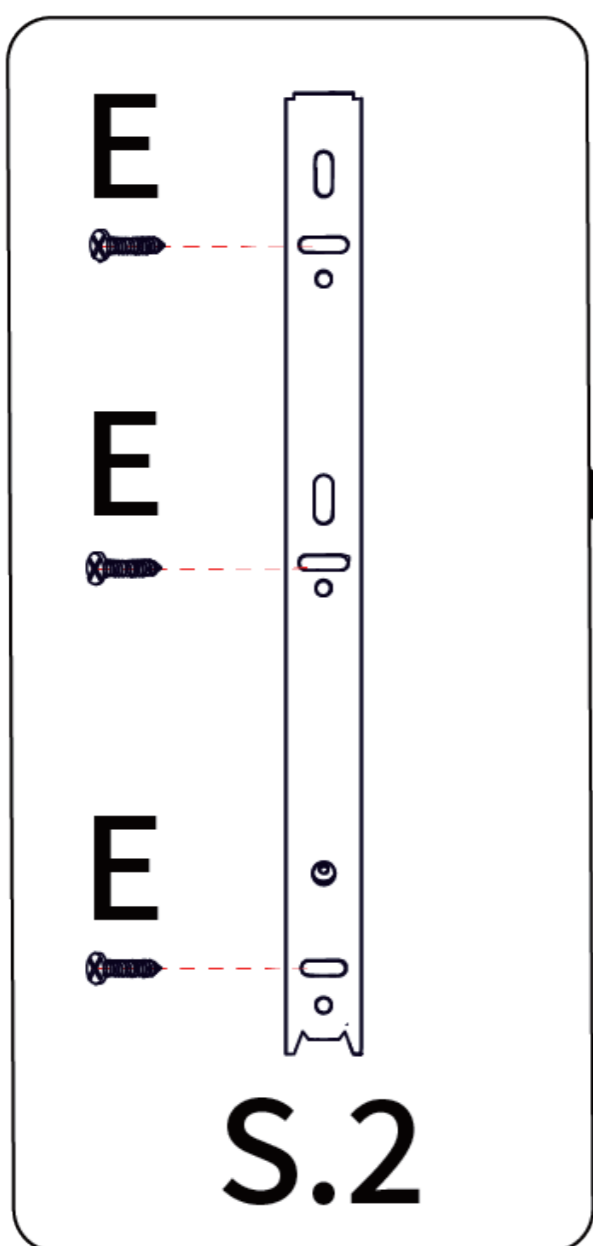


Rotate in the [+]
direction

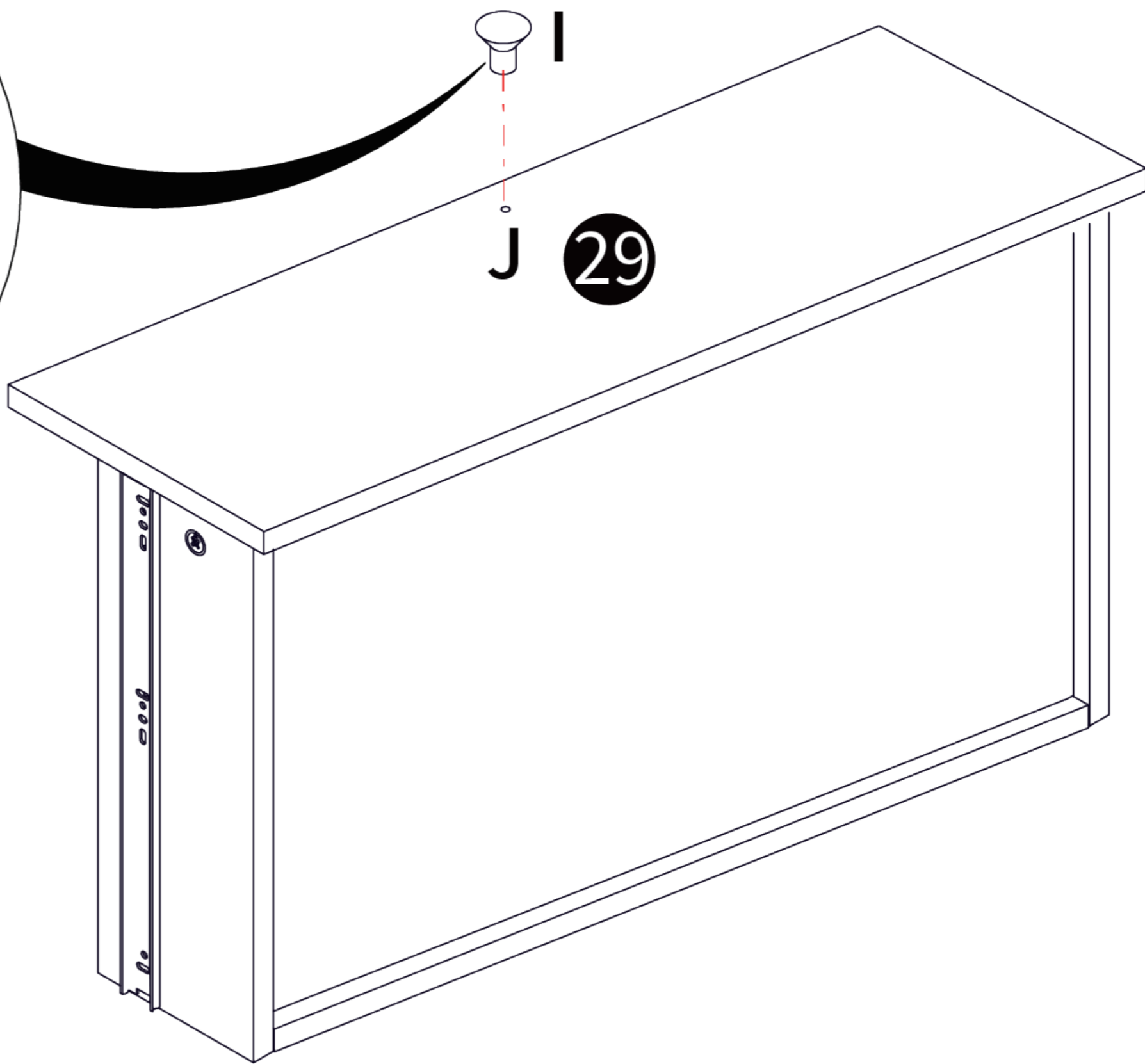
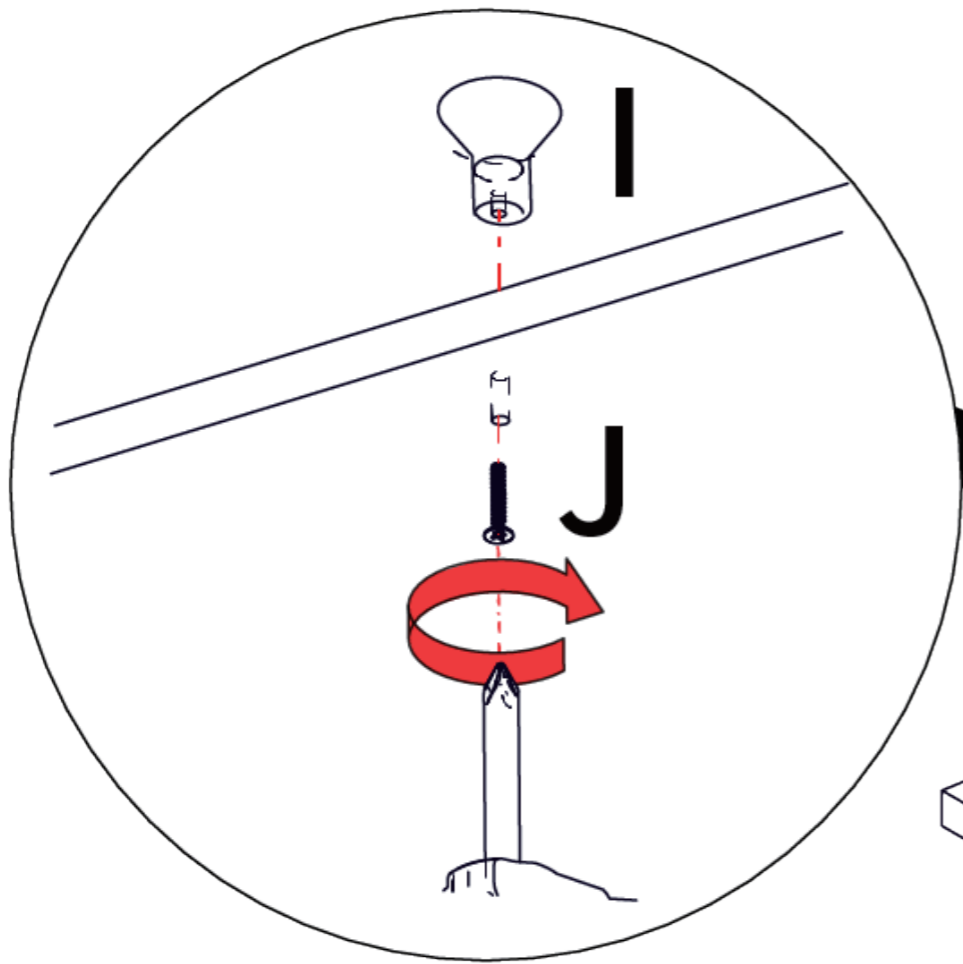


37

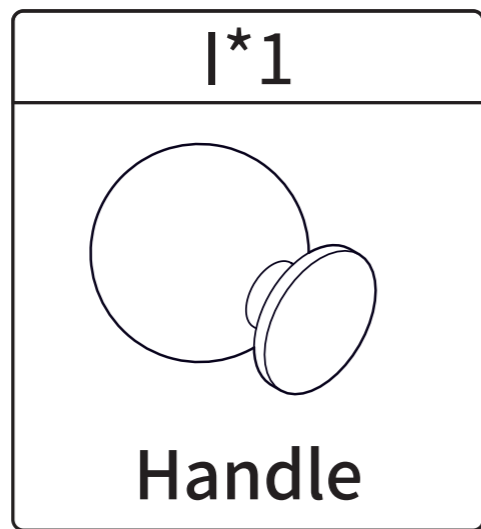
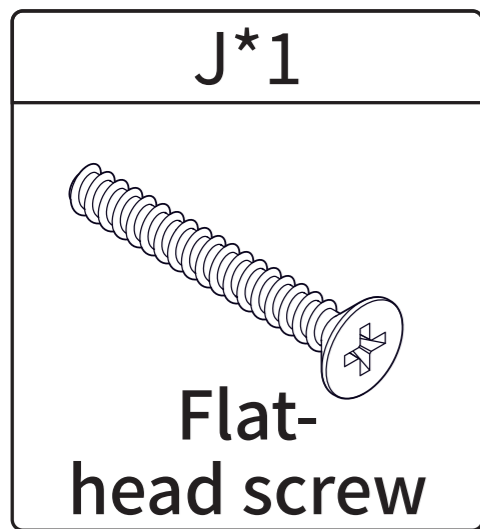
As shown in the illustration, use short screws (E) to align the Drawer Slides(S.2) to the pre-drilled holes on Panels 30 and 31 and tighten them.



38

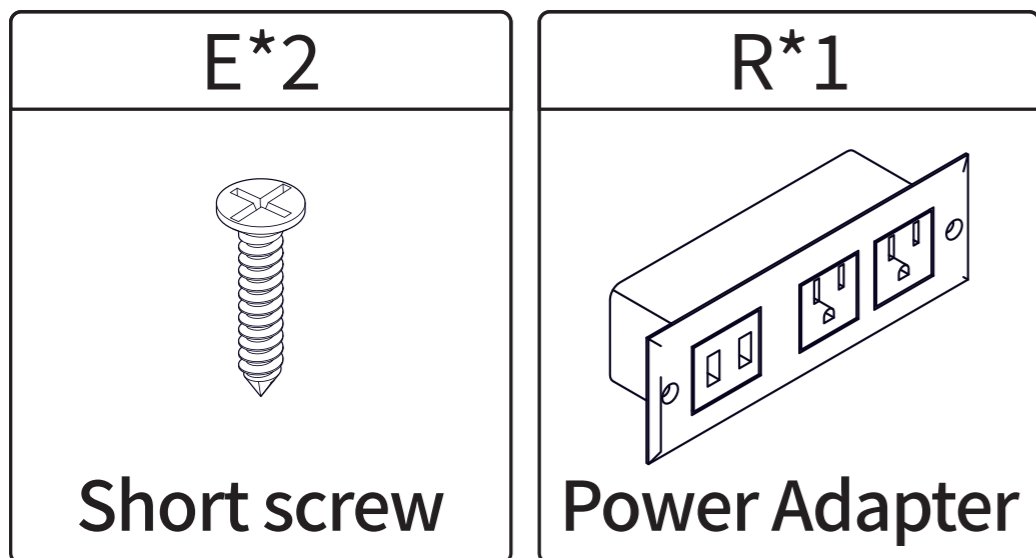
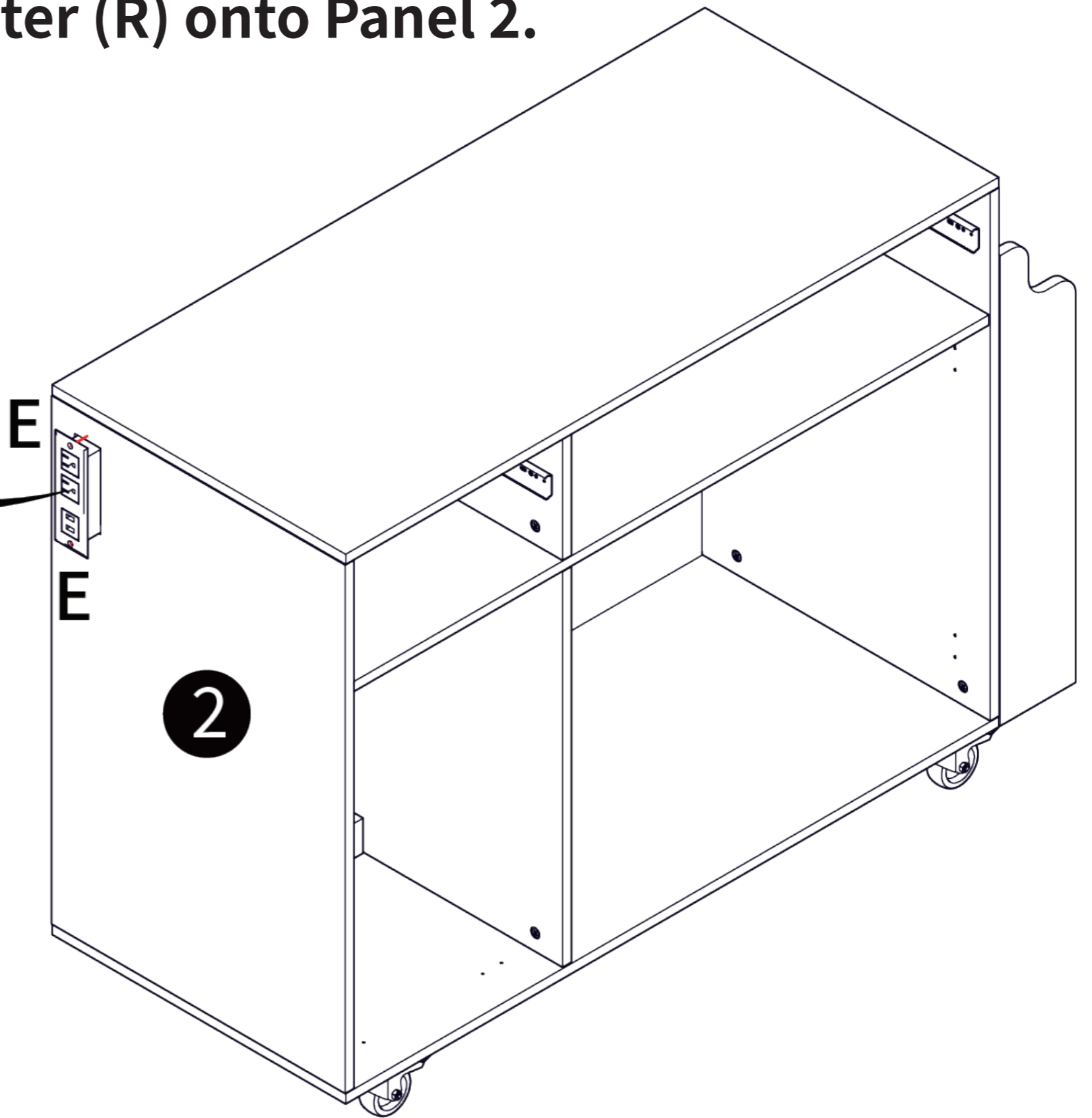
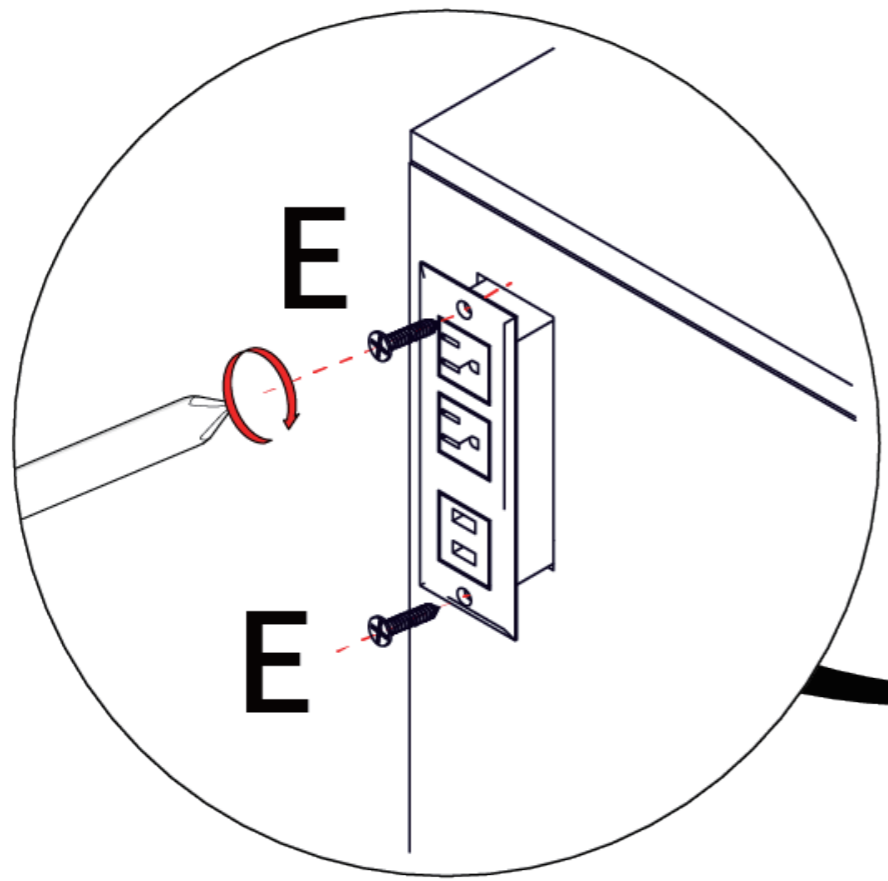


As shown in the illustration, use flat-head screw (J) to install Handle (I) onto Panel 29.



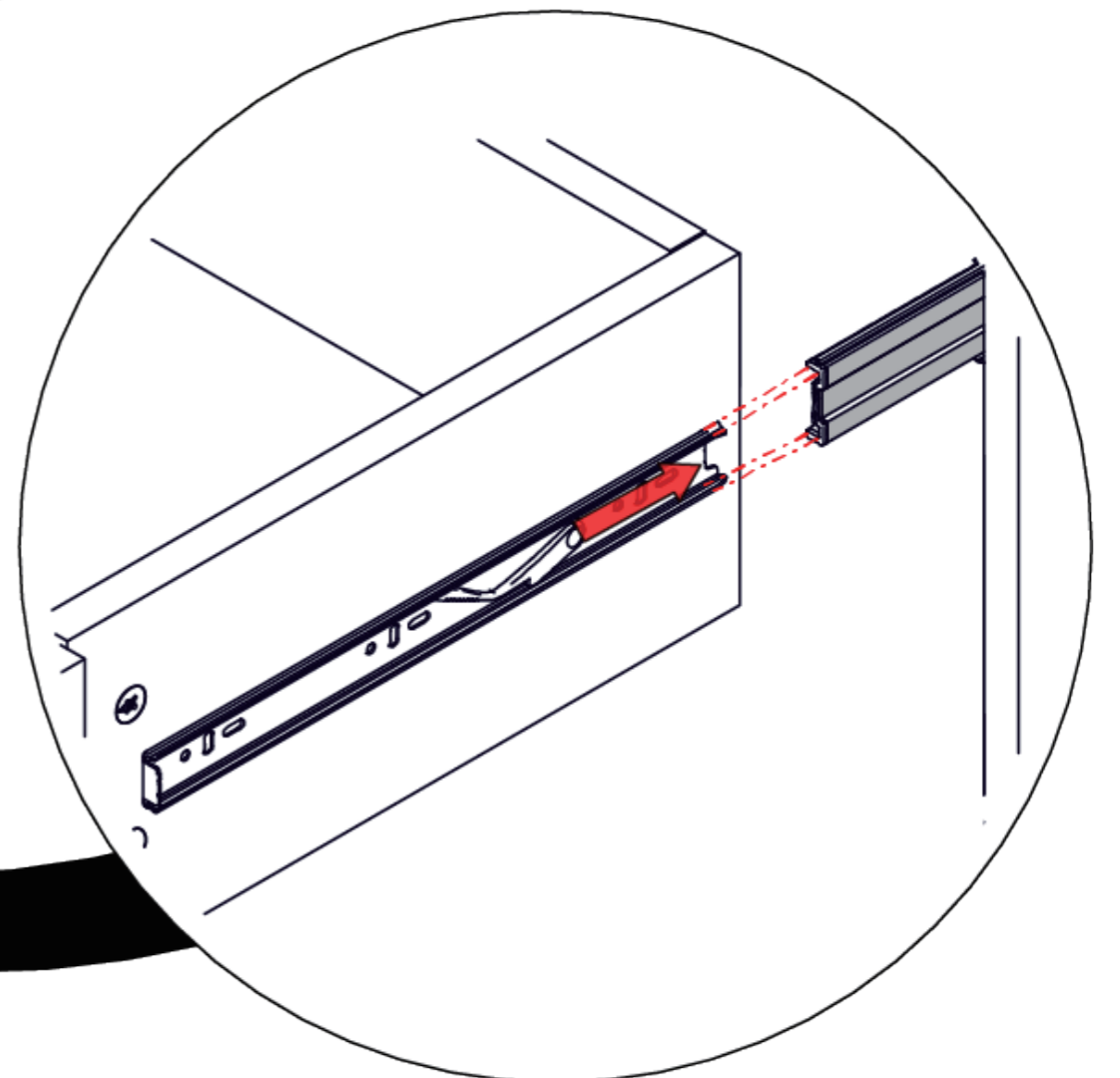
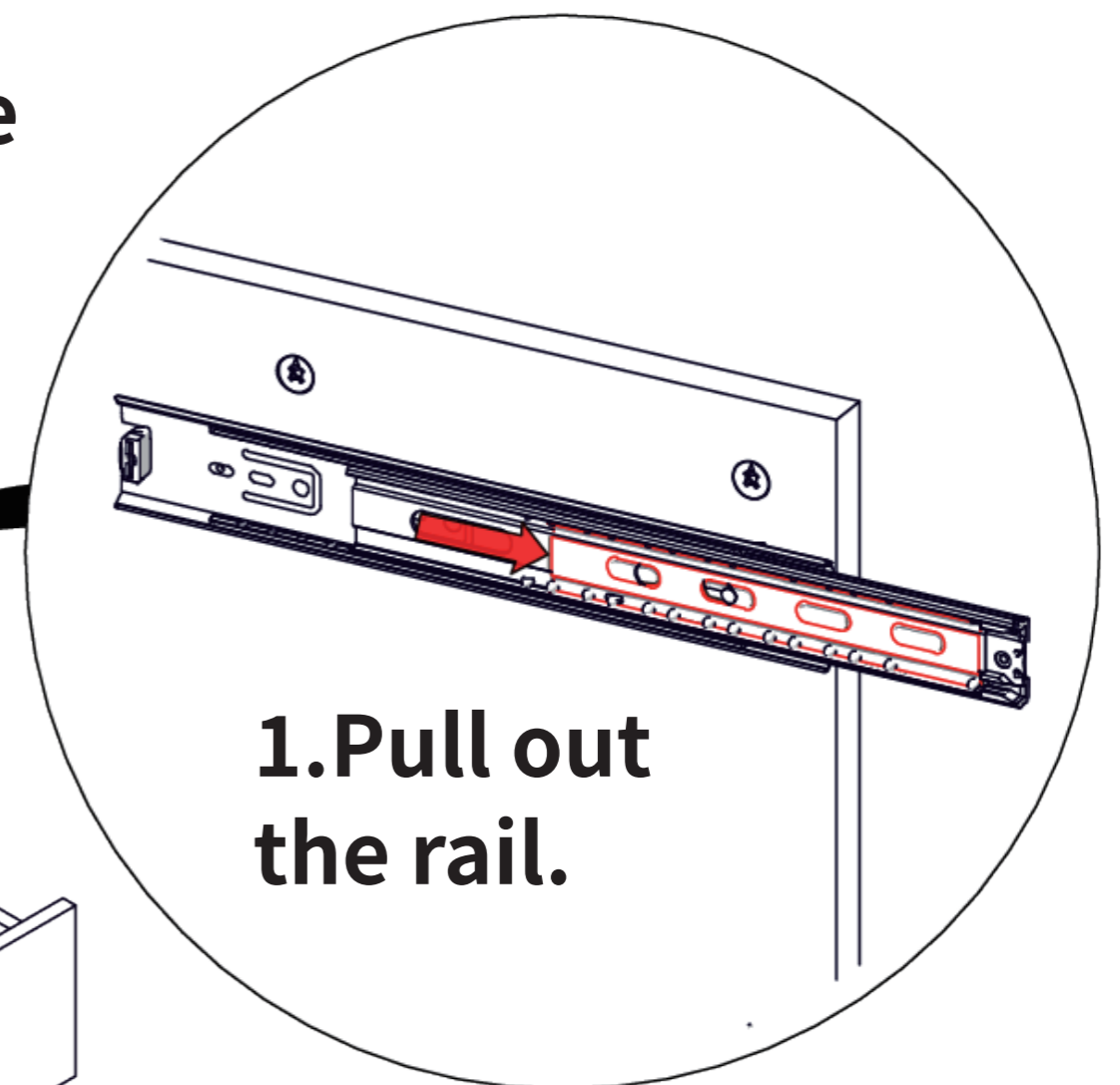
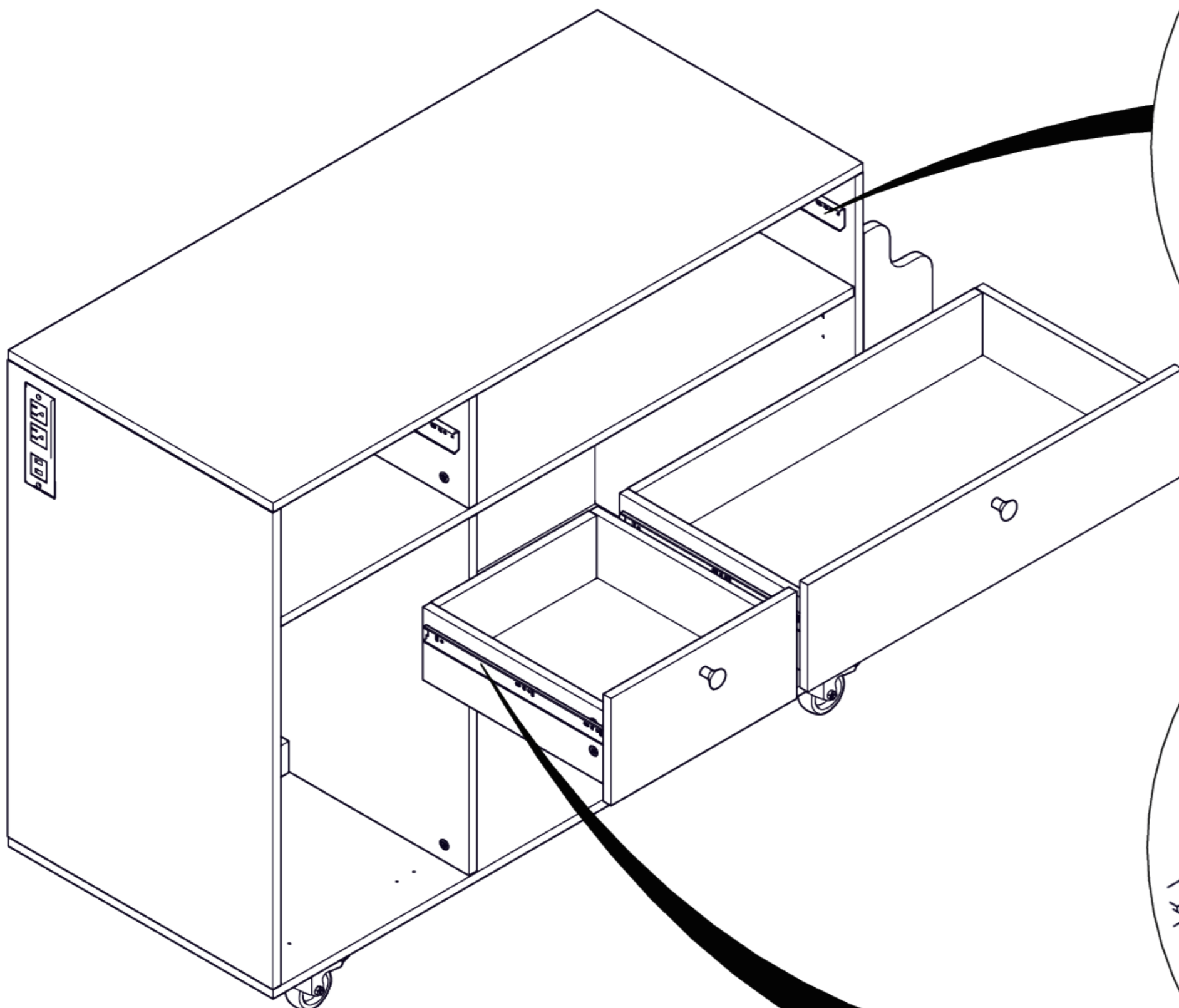
39

As shown in the illustration, use short screws (E) to install the Power Adapter (R) onto Panel 2.



40

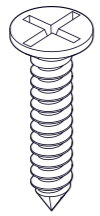
As shown in the illustration, adjust the drawer slides and install the drawer.



2. Align it with the drawer slide slots and push it straight in.

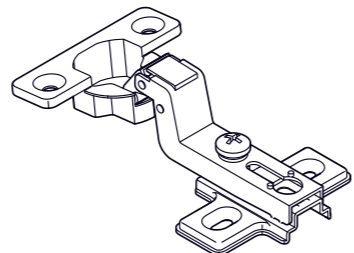
41

E*8



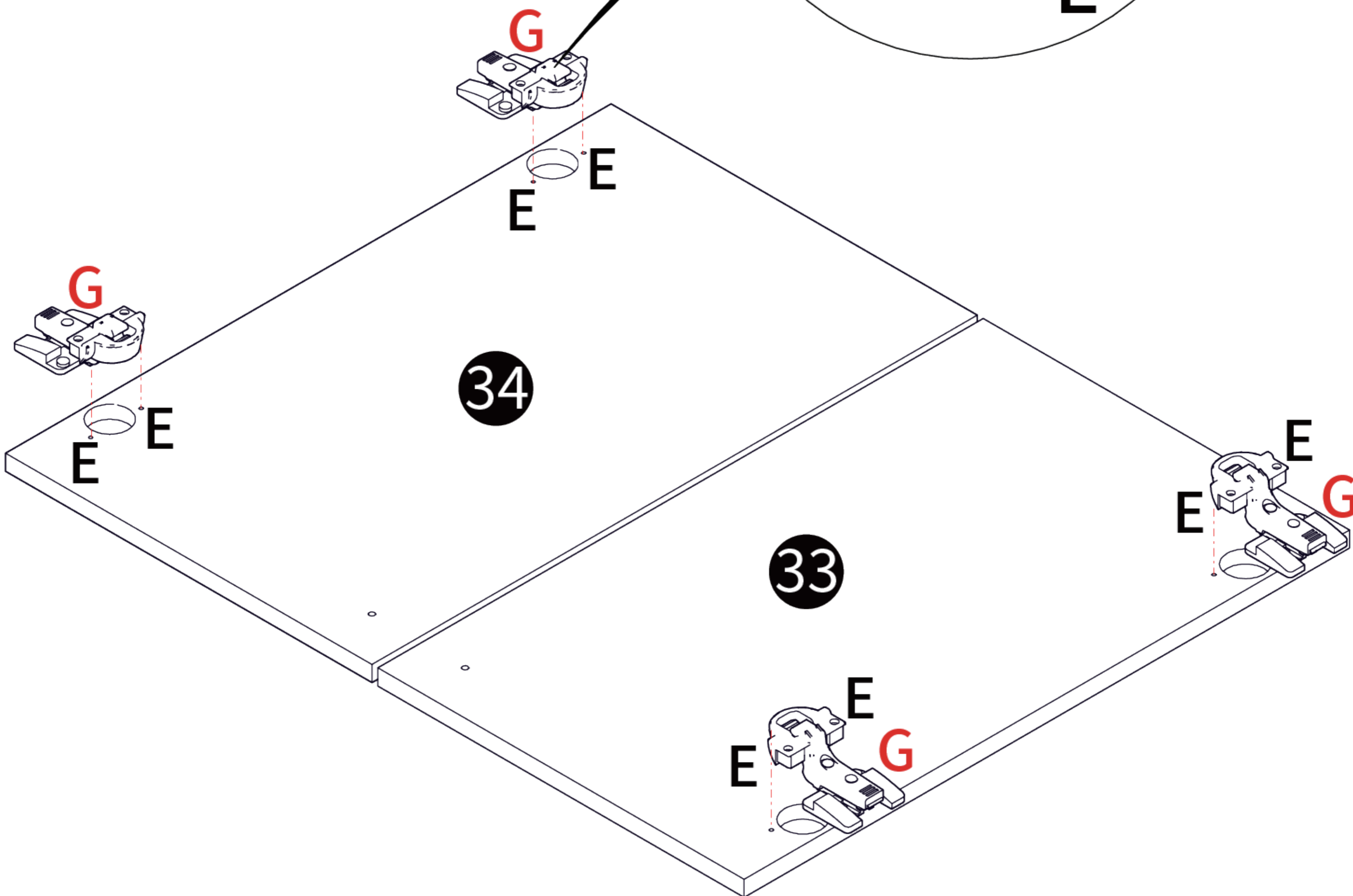
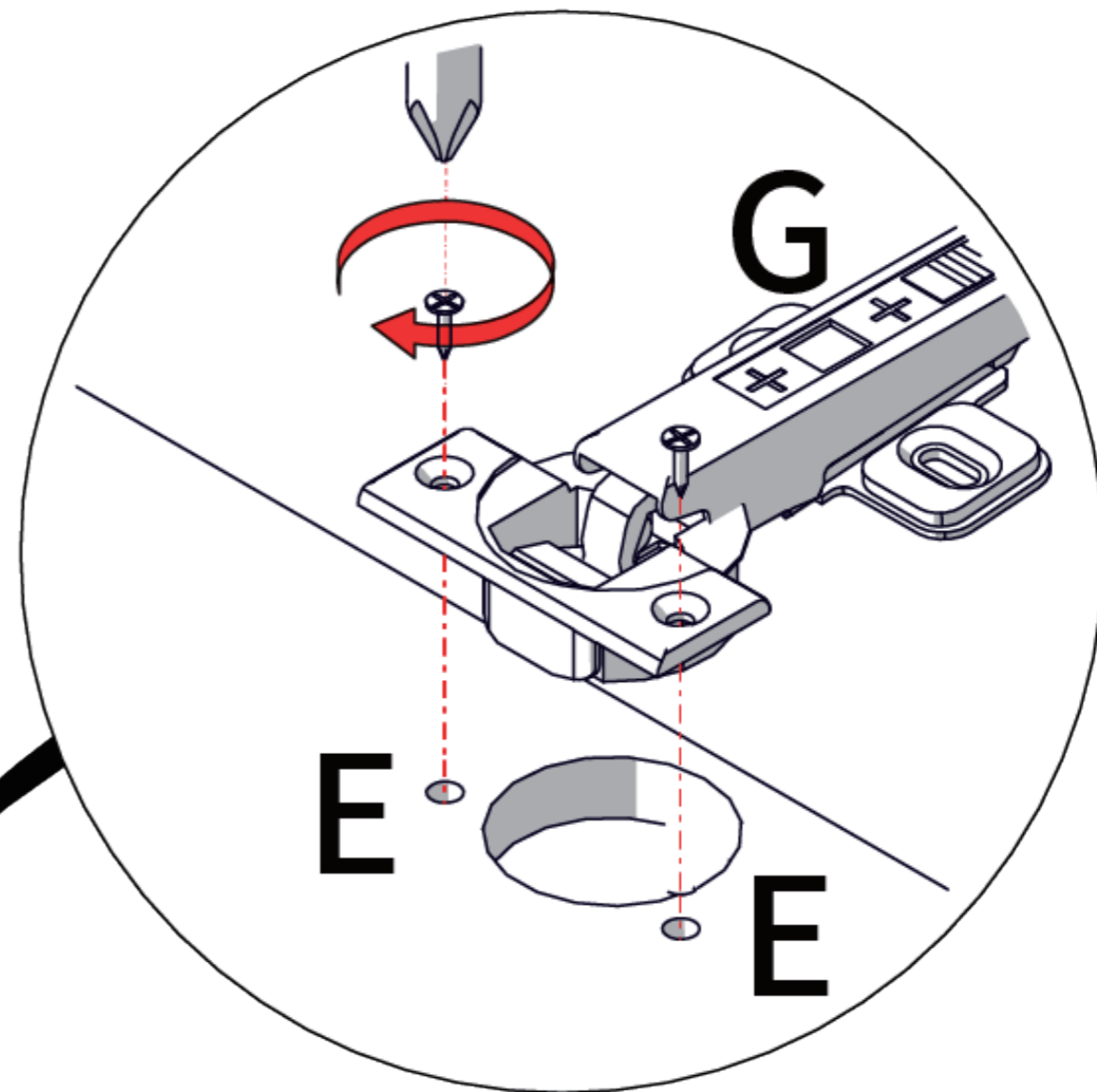
Short screw

G*4

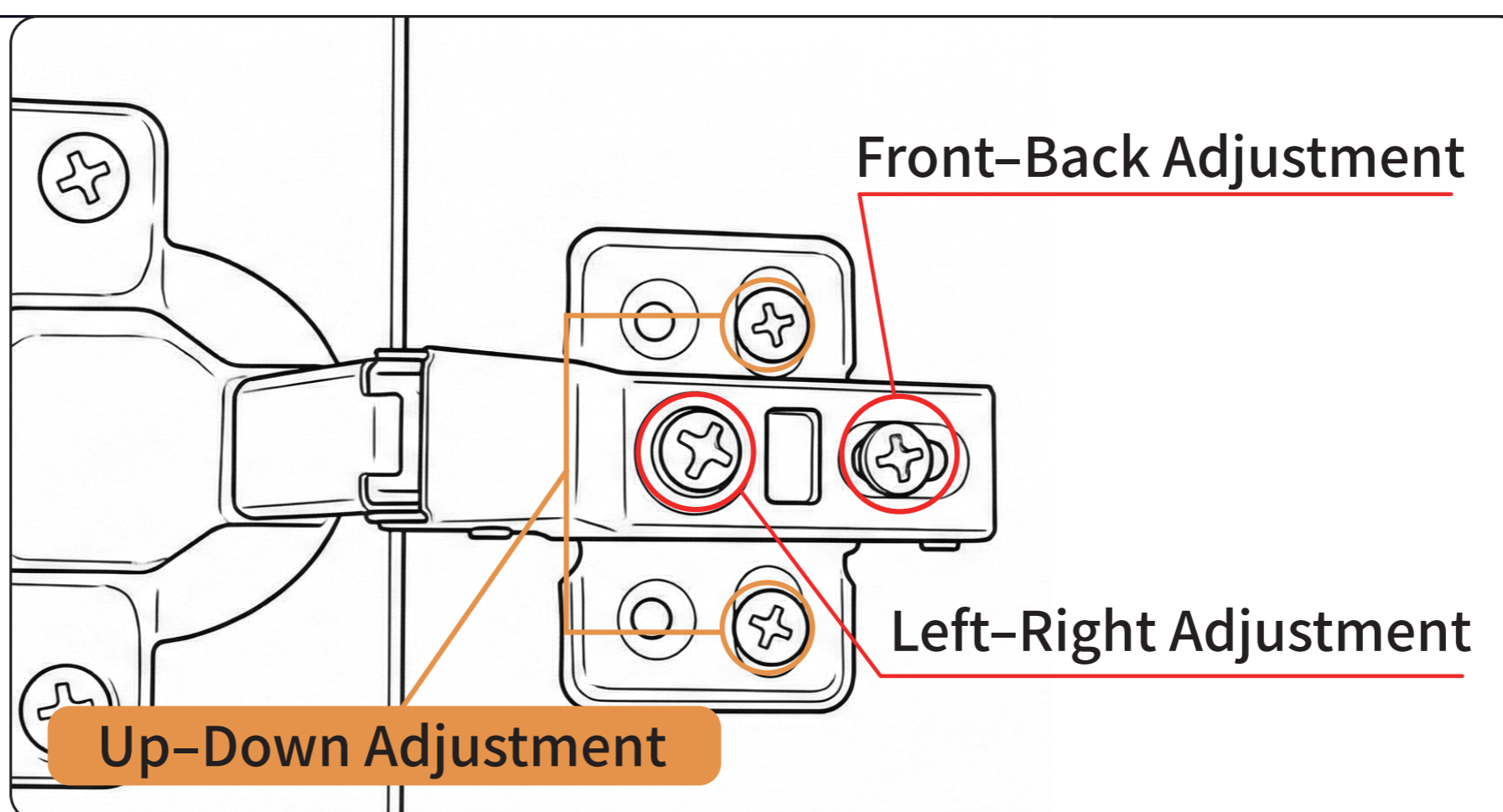


Hinge

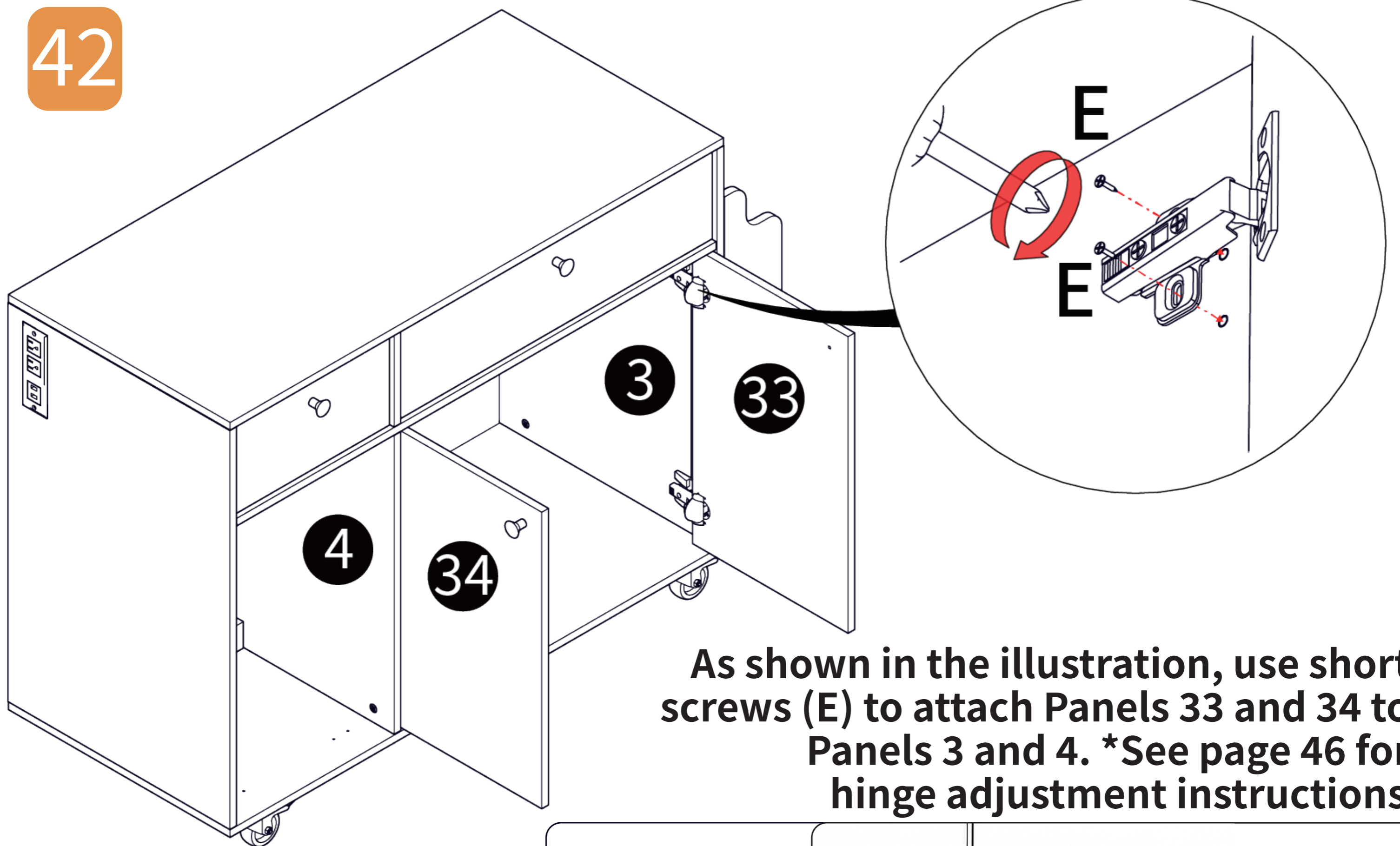
As shown in the illustration, use short screws (E) to fix Hinges (G) onto Panels 33 and 34.



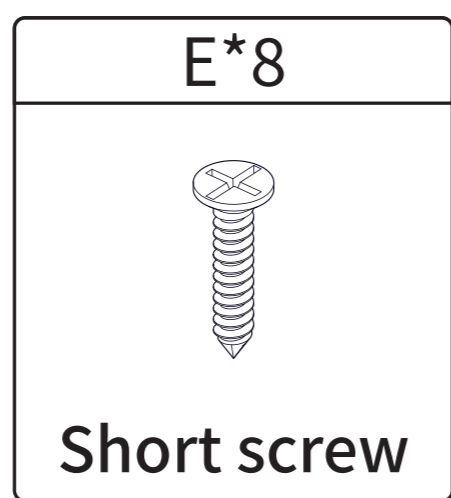
Hinge Adjustment Method
Adjust if needed.



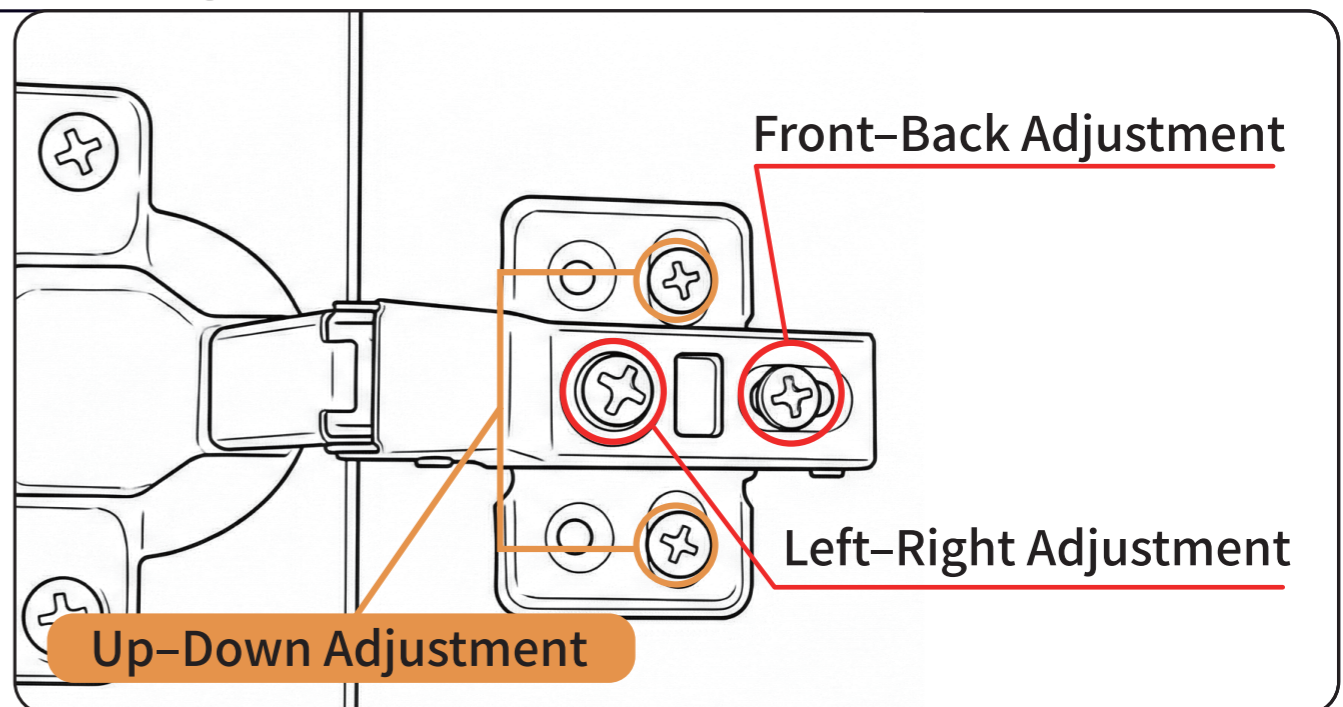
42



As shown in the illustration, use short screws (E) to attach Panels 33 and 34 to Panels 3 and 4. *See page 46 for hinge adjustment instructions.

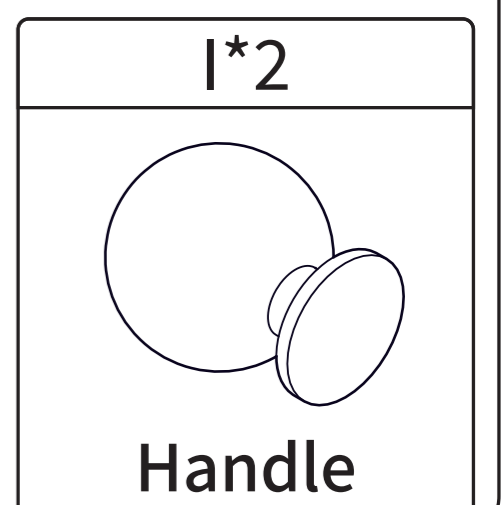
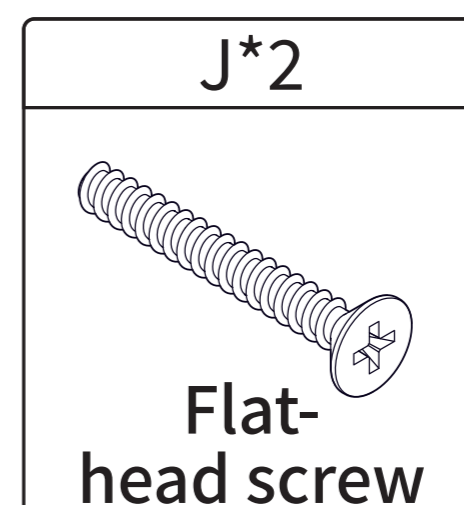
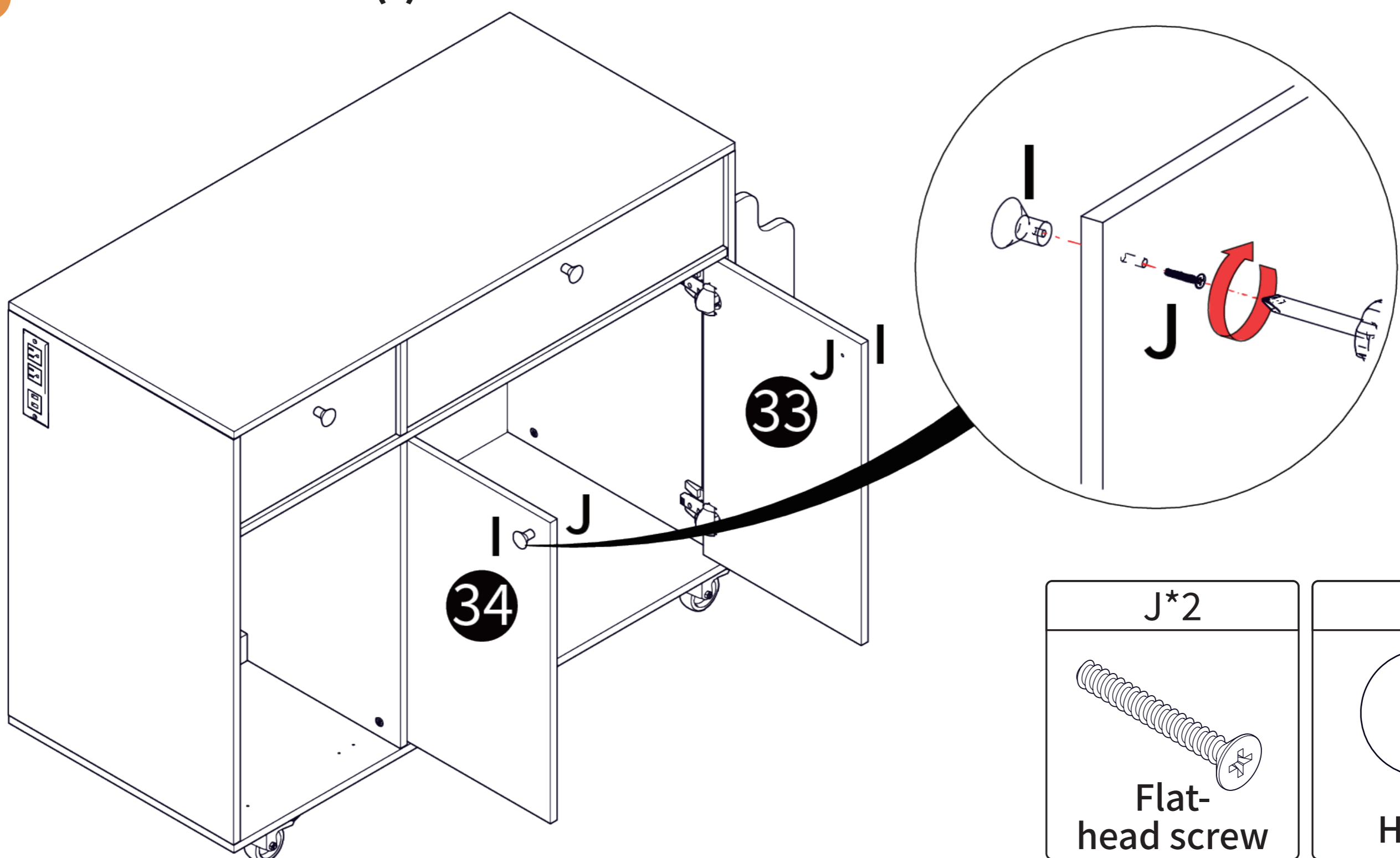


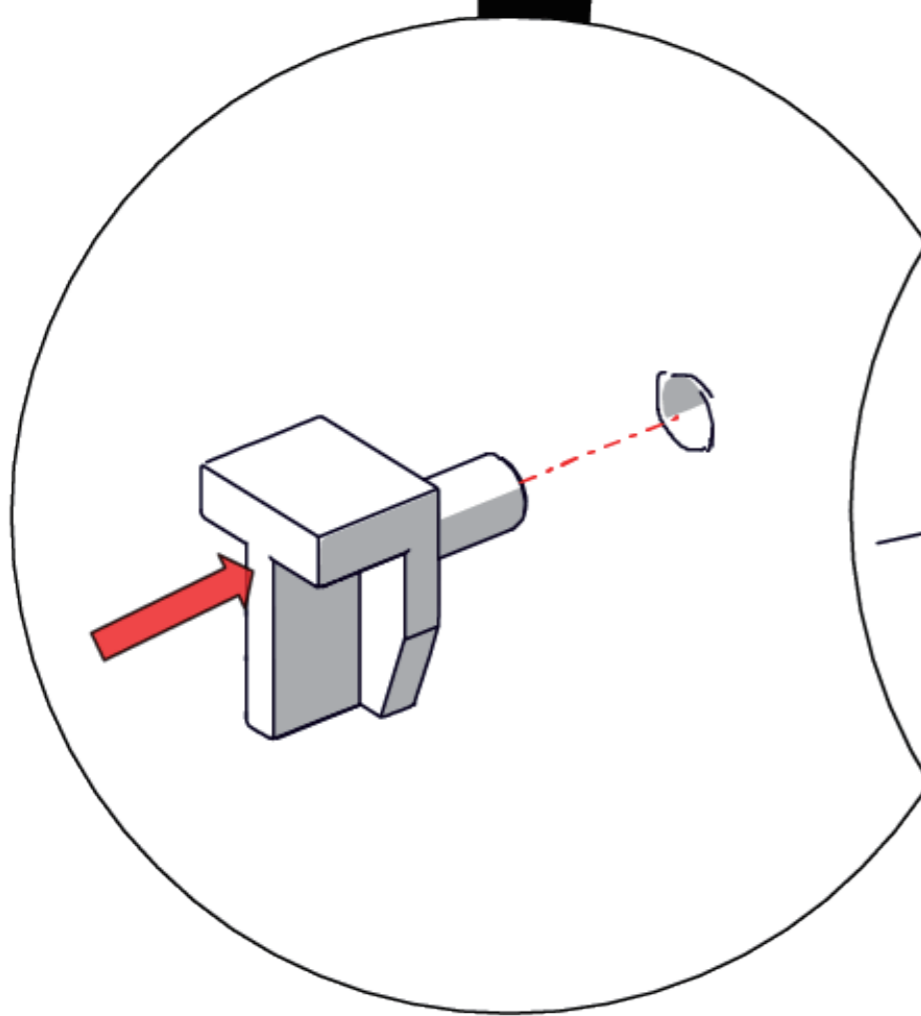
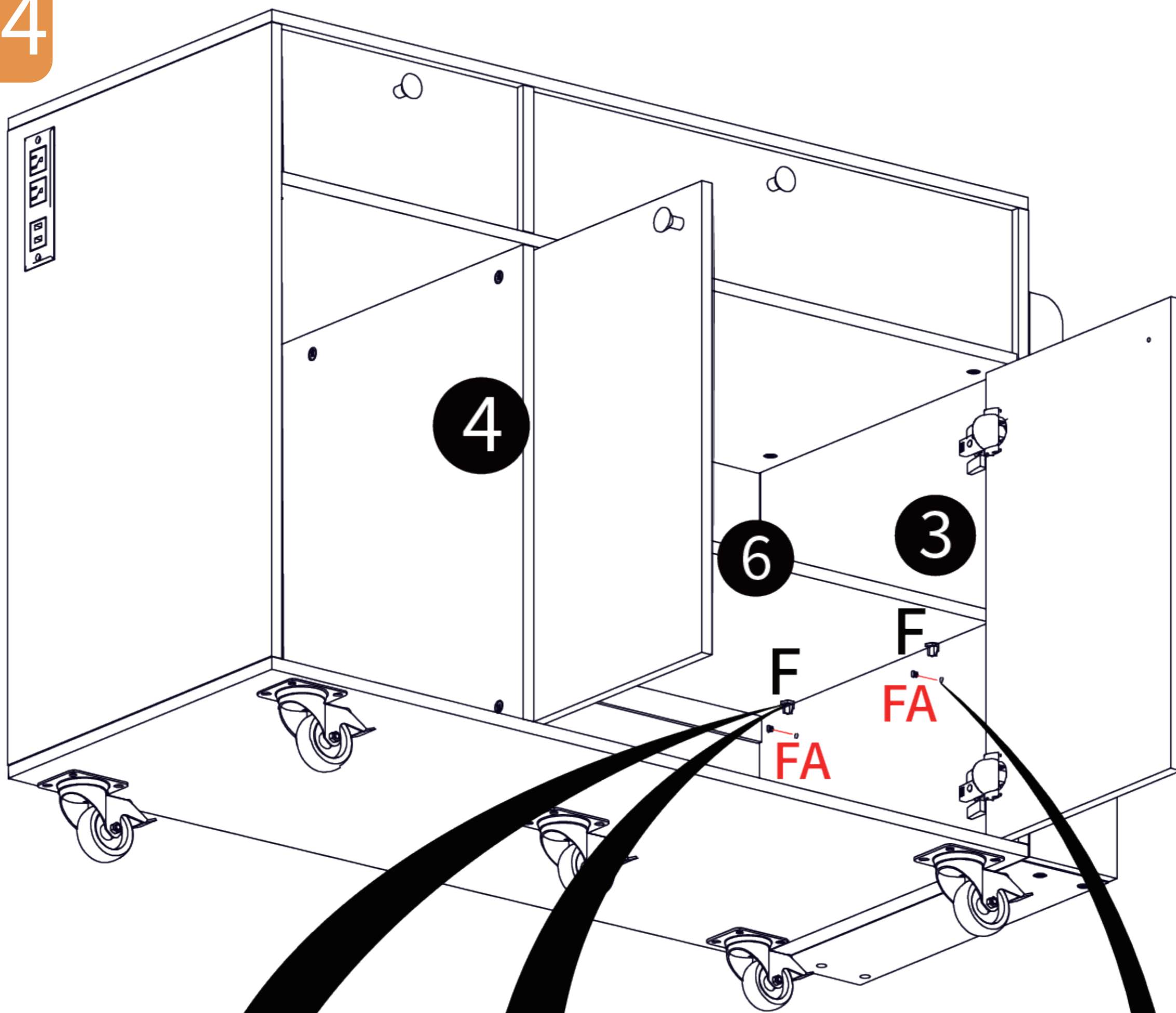
Hinge Adjustment Method
Adjust if needed.



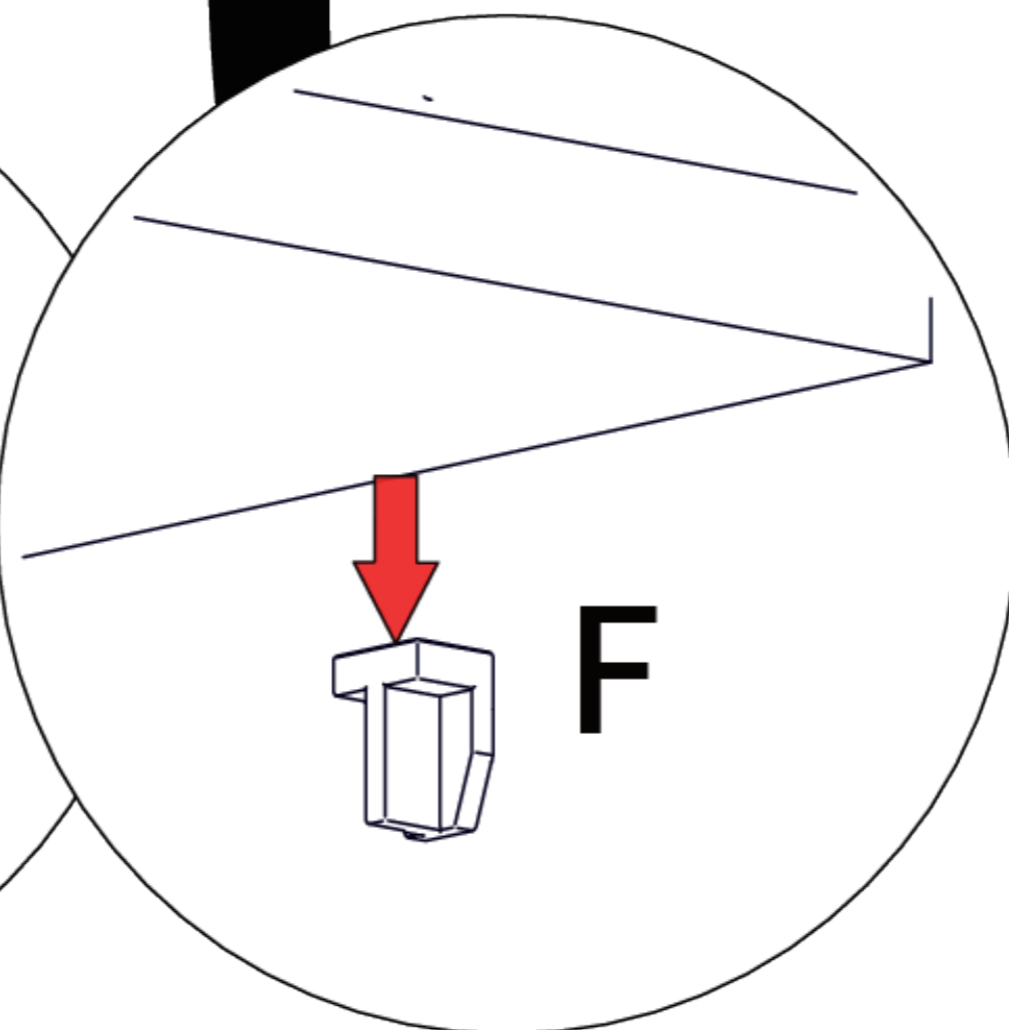
43

As shown in the illustration, use flat-head screws (J) to install Handles (I) onto Panels 33 and 34.

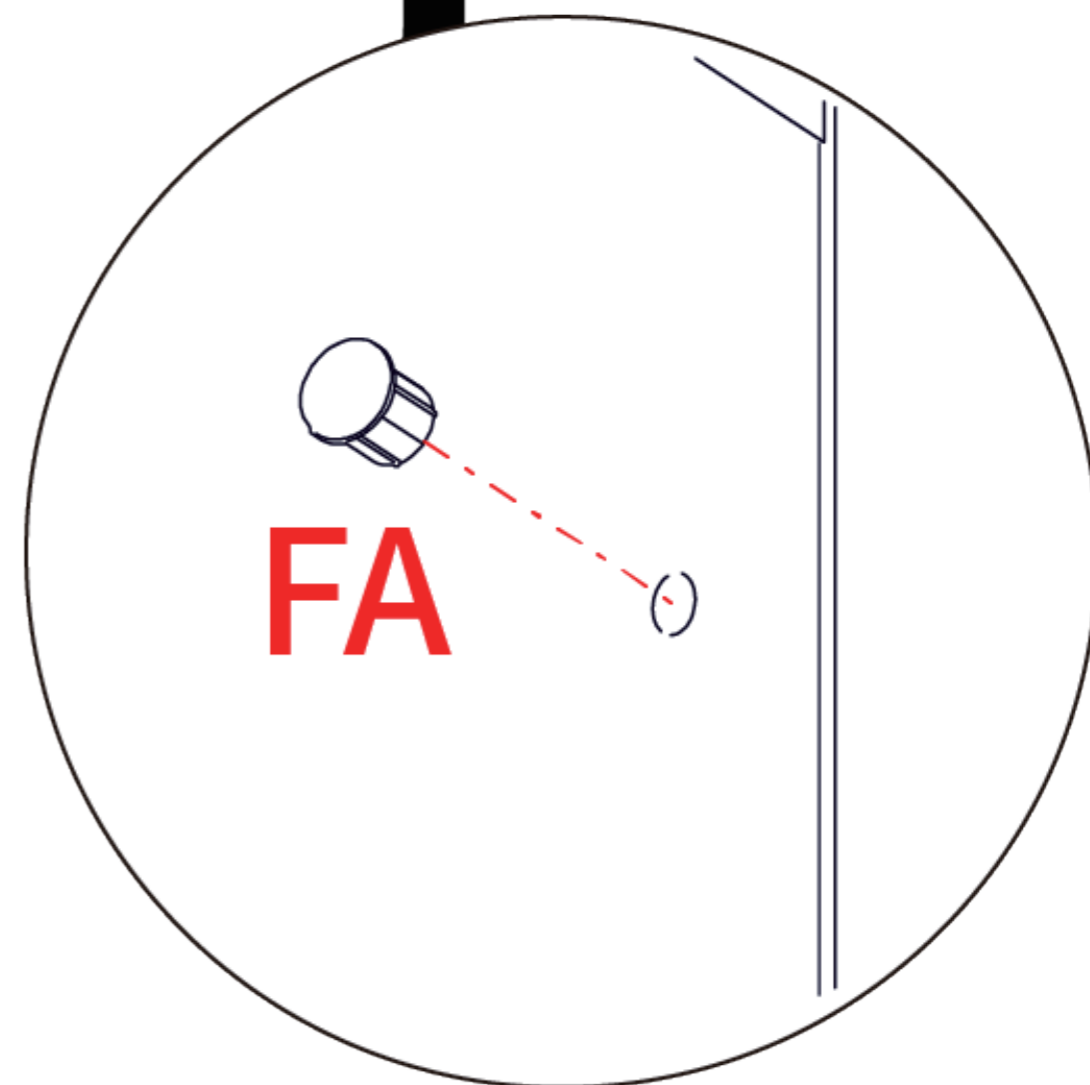




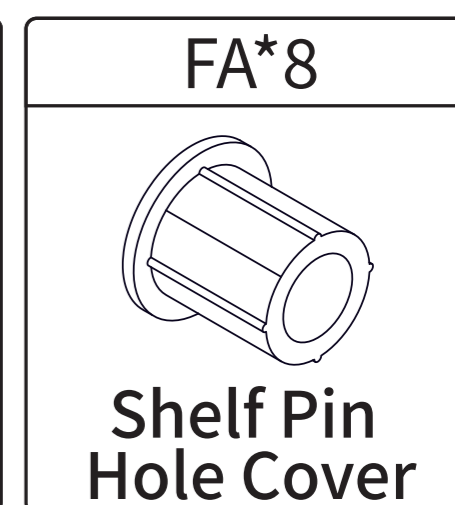
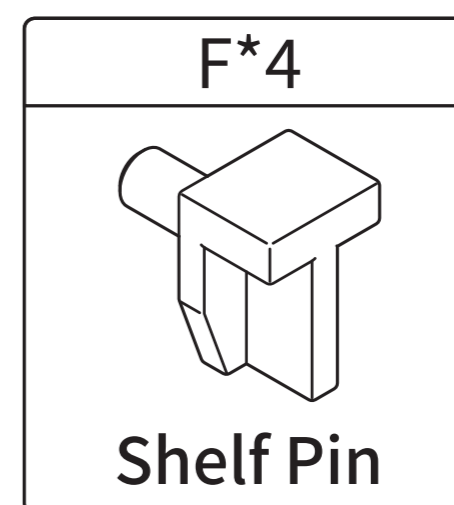
1. As shown in the illustration, insert Shelf Pins (F) into Panels 3 and 4



2. then place Panel 6 onto the shelf pins.

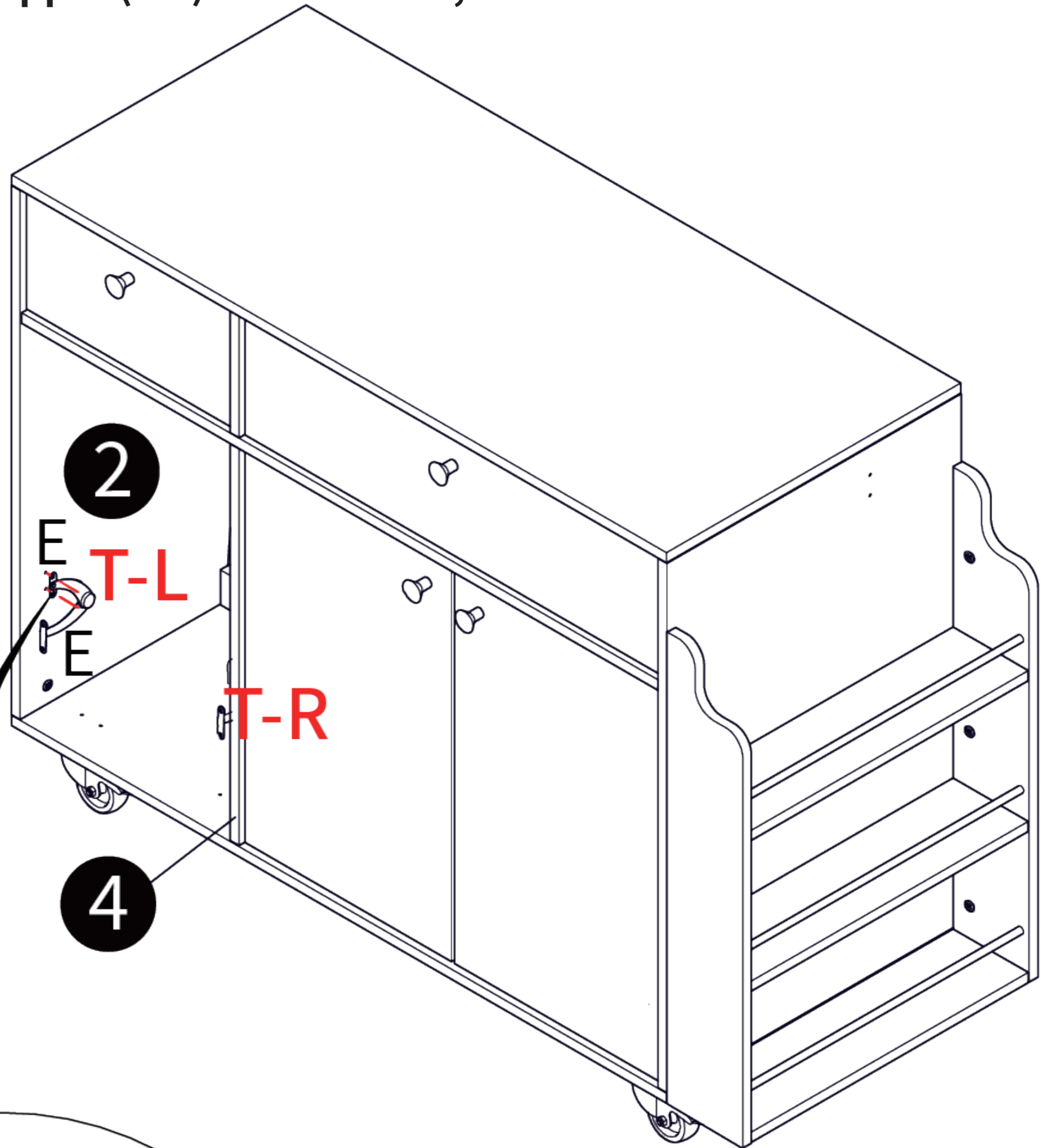


3. Insert the shelf pin hole covers (FA) into the adjustment holes.

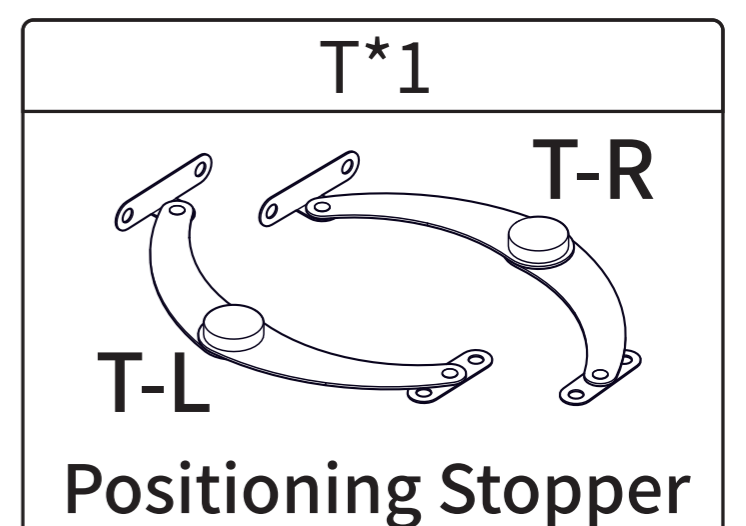
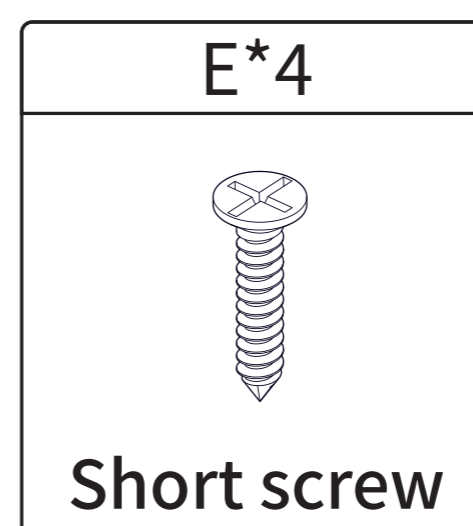
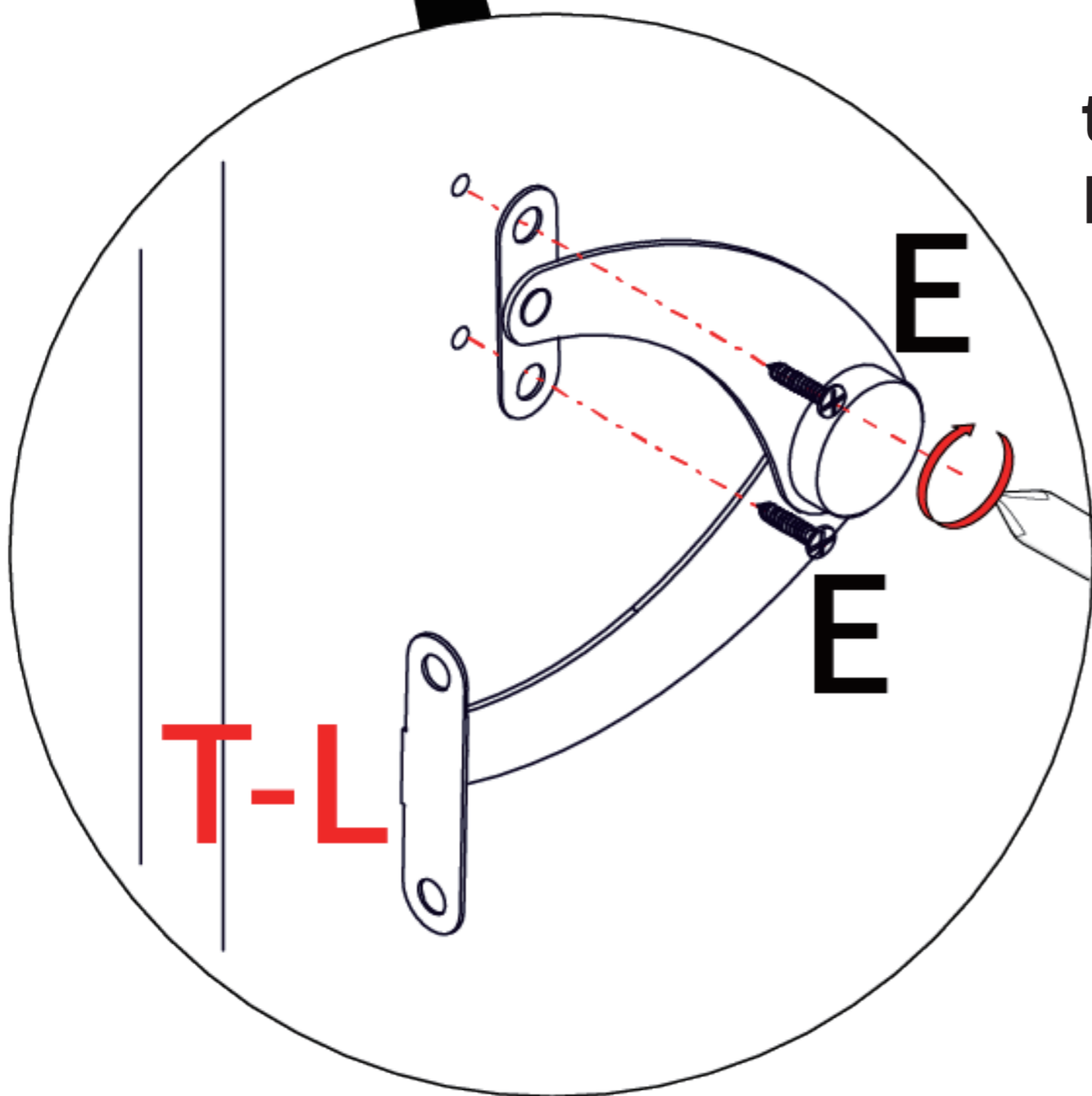


45

As shown in the illustration, use short screws (E) to fix the Stopper (T-L) onto Panel 2,

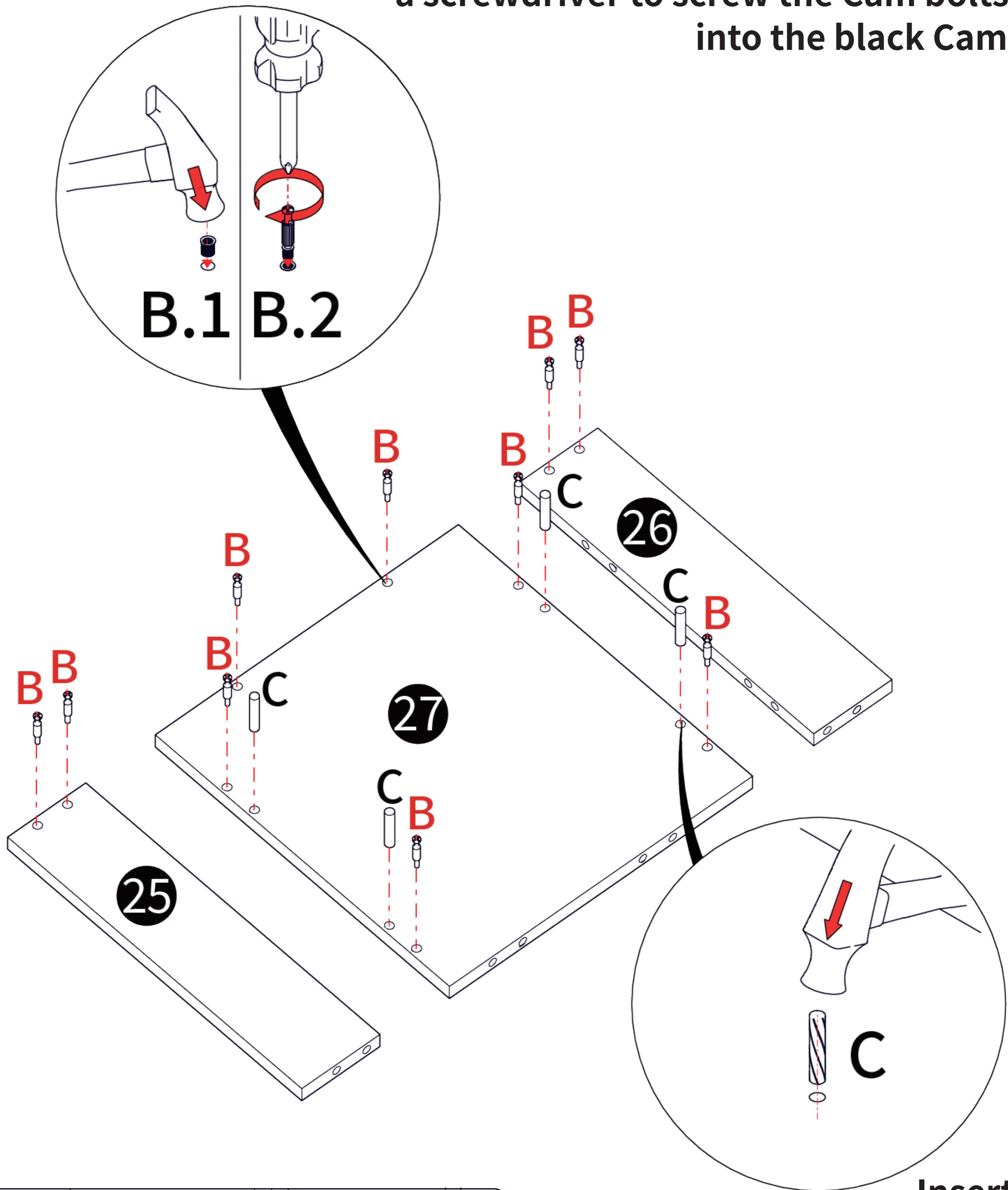


then use short screws (E) to fix the Positioning Stopper (T-R) onto Panel 4.

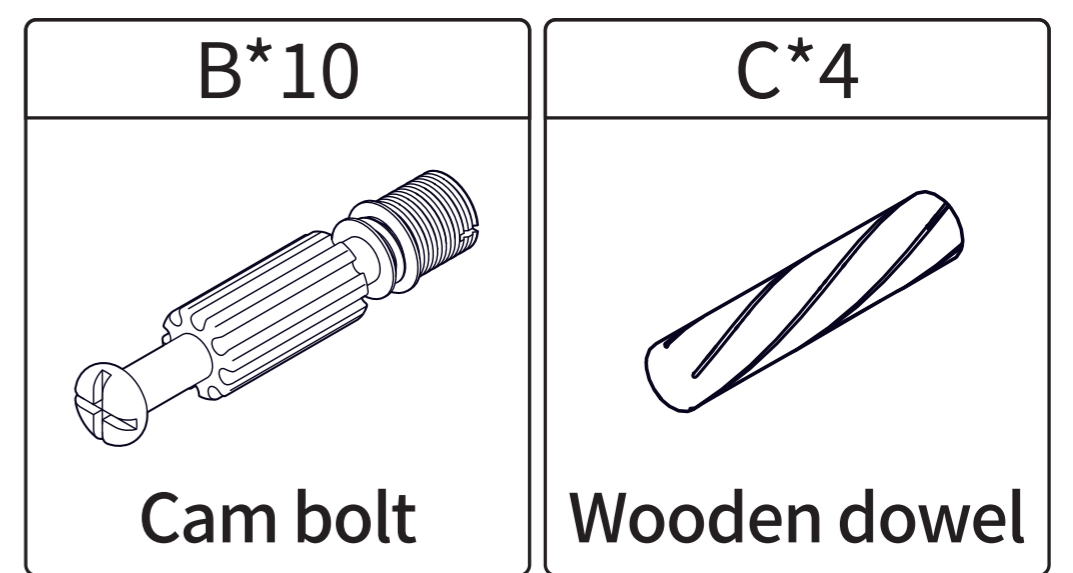
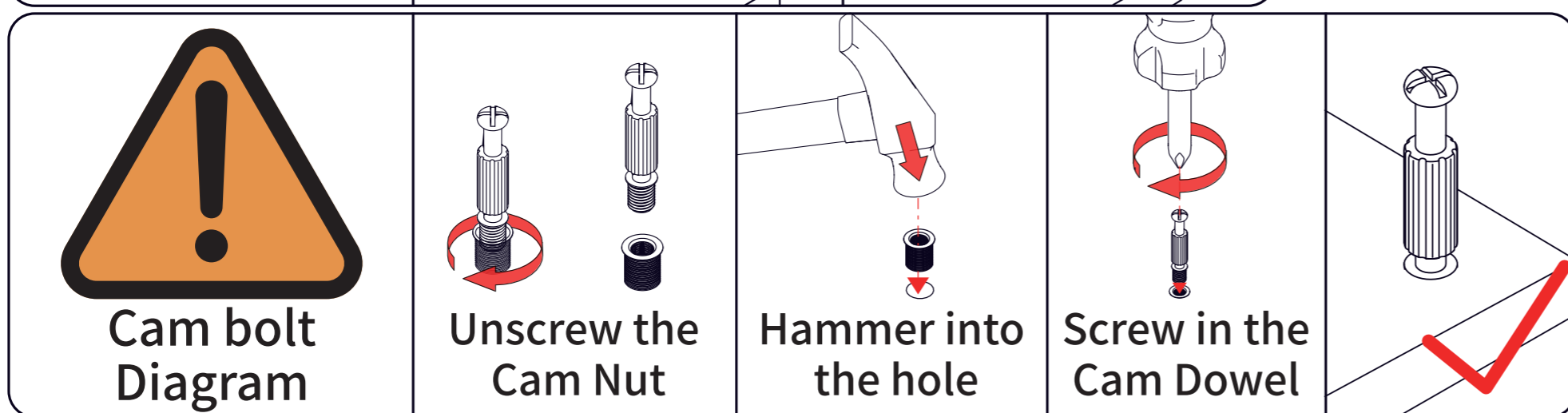
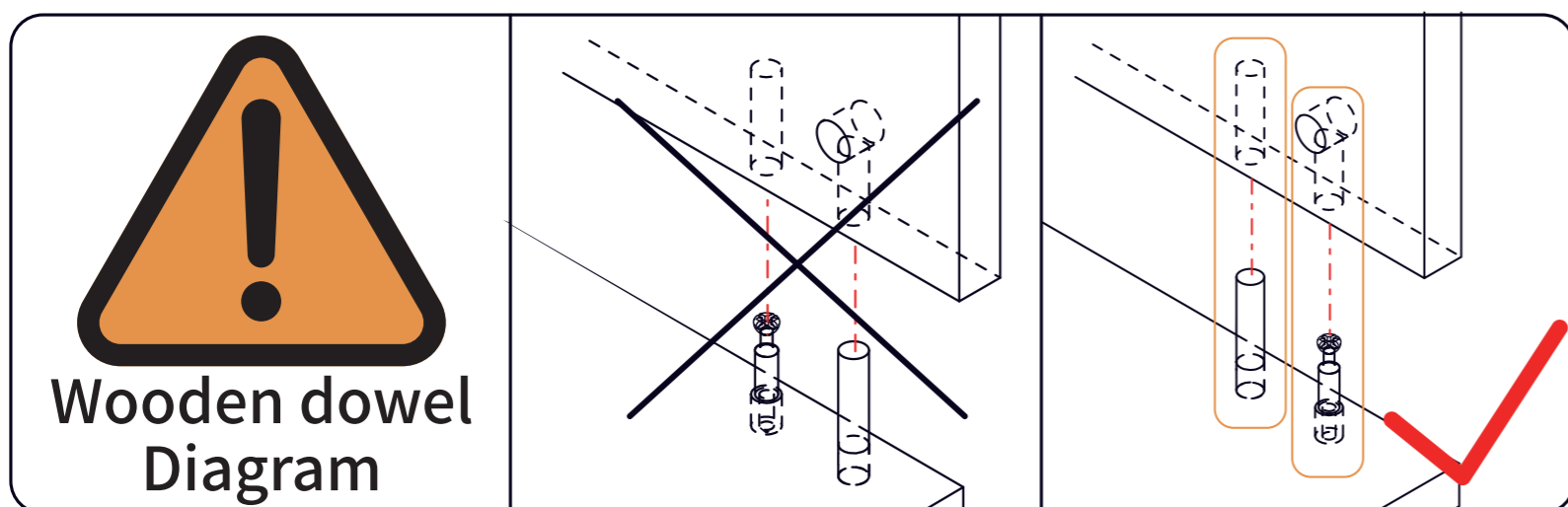


46

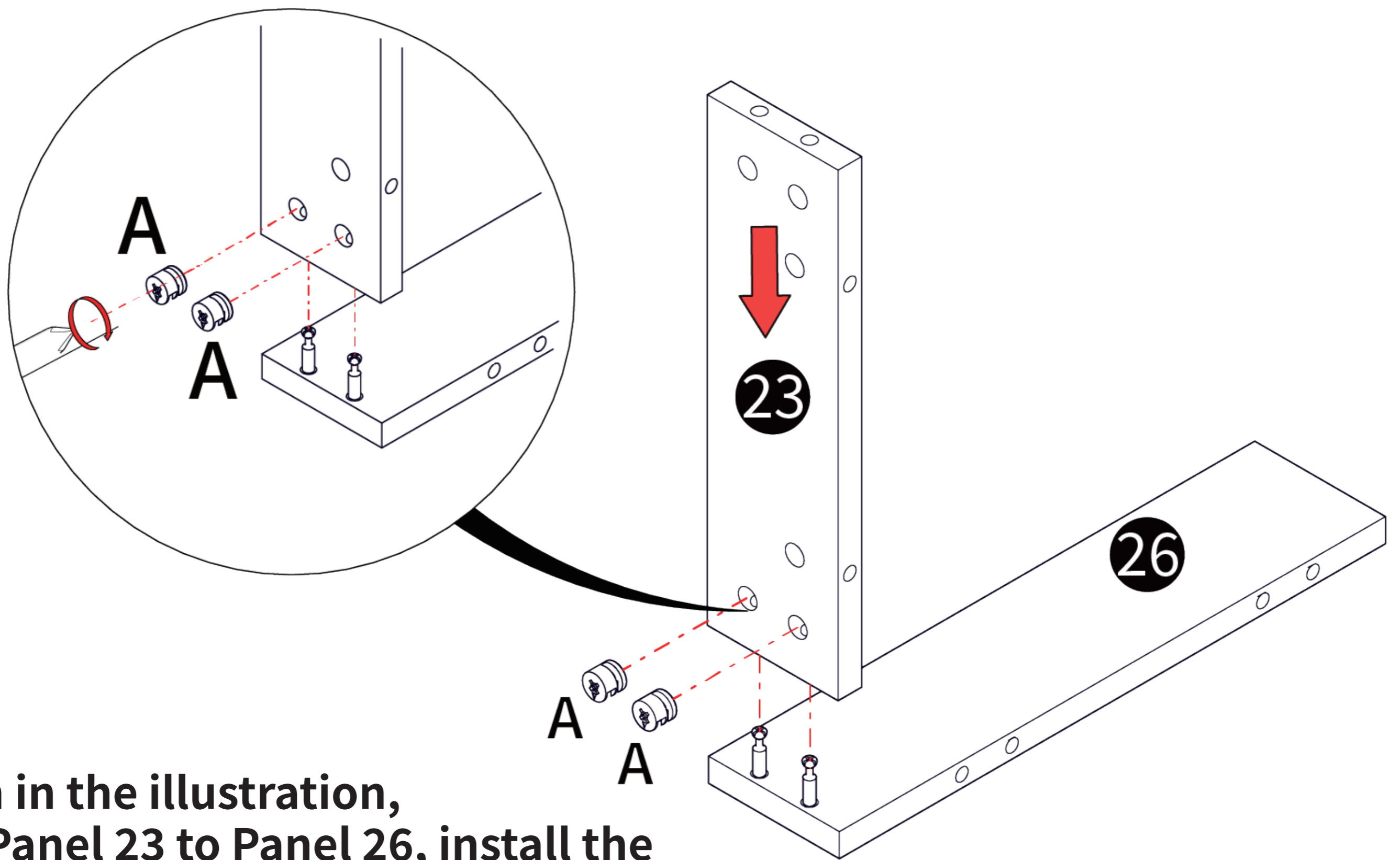
As shown in the illustration, tap the black Cam Nuts (B.1) into Panels 25, 27, and 26 first, then use a screwdriver to screw the Cam bolts (B.2) into the black Cam Nuts.



Insert the wooden dowels (C) into Panel 27.



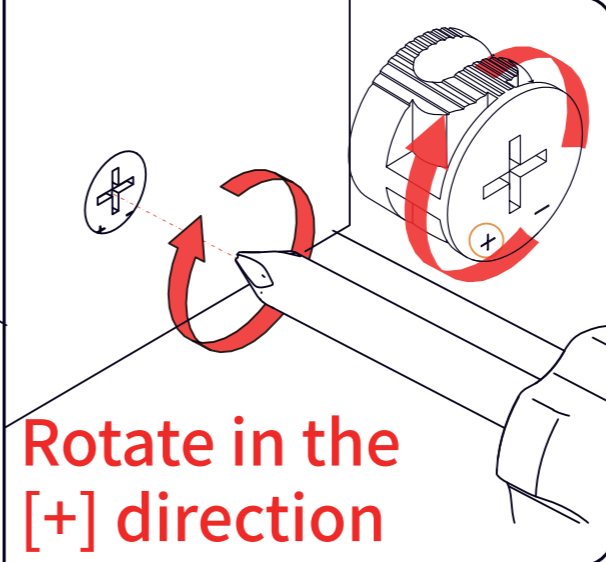
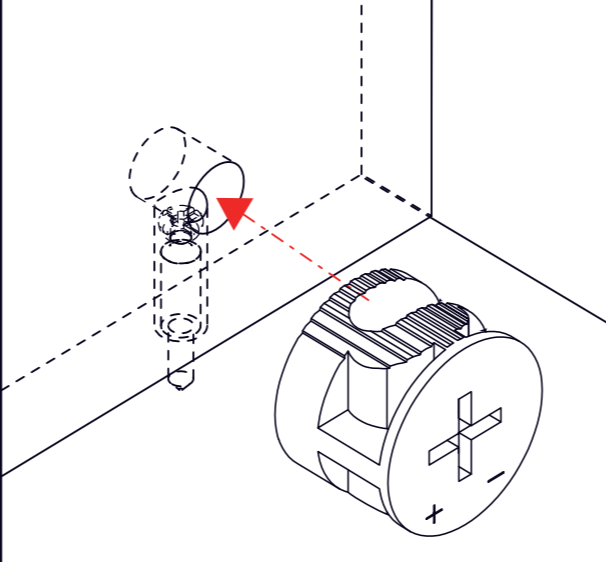
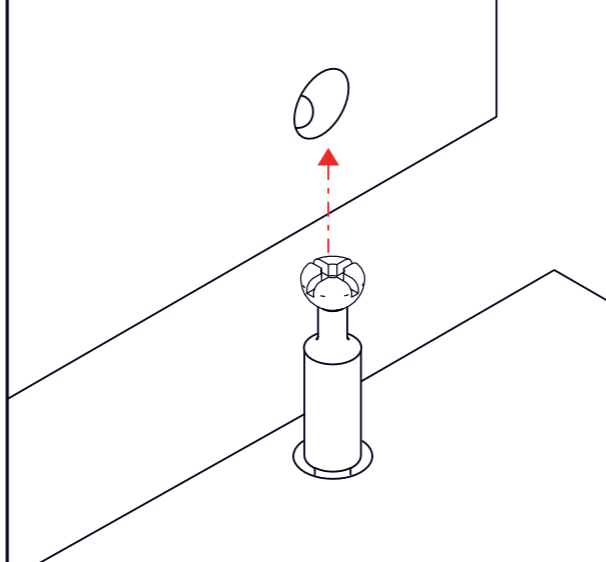
47



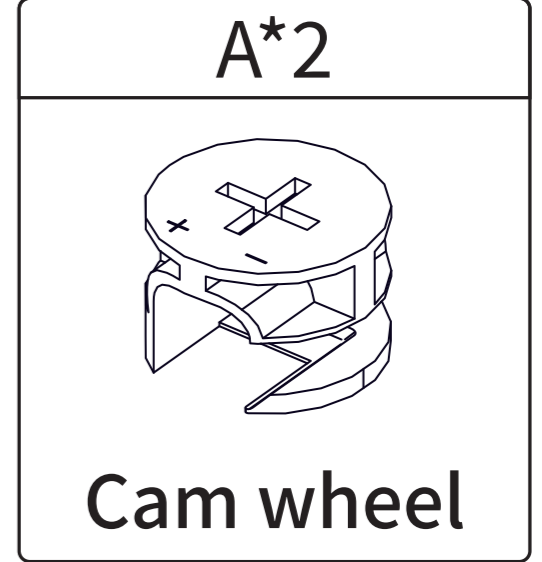
As shown in the illustration, connect Panel 23 to Panel 26, install the Cam wheels (A) on Panel 23, then rotate to tighten.



Cam wheel Diagram

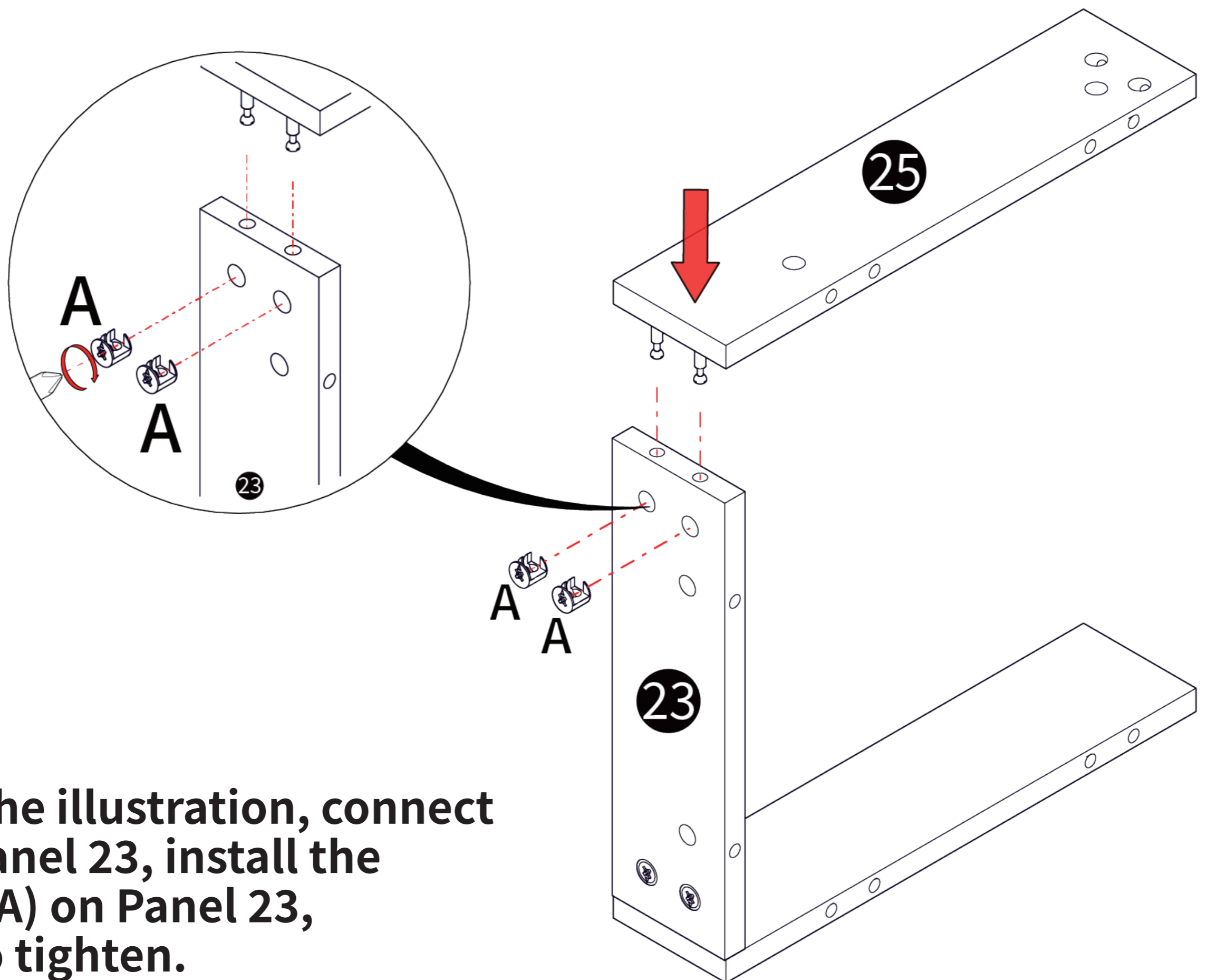


Rotate in the [+]
direction

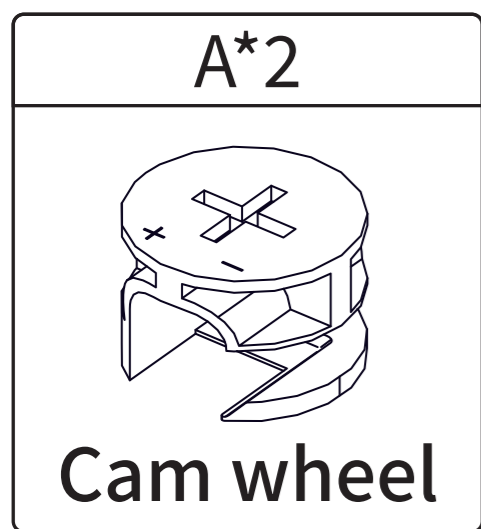


Cam wheel

48

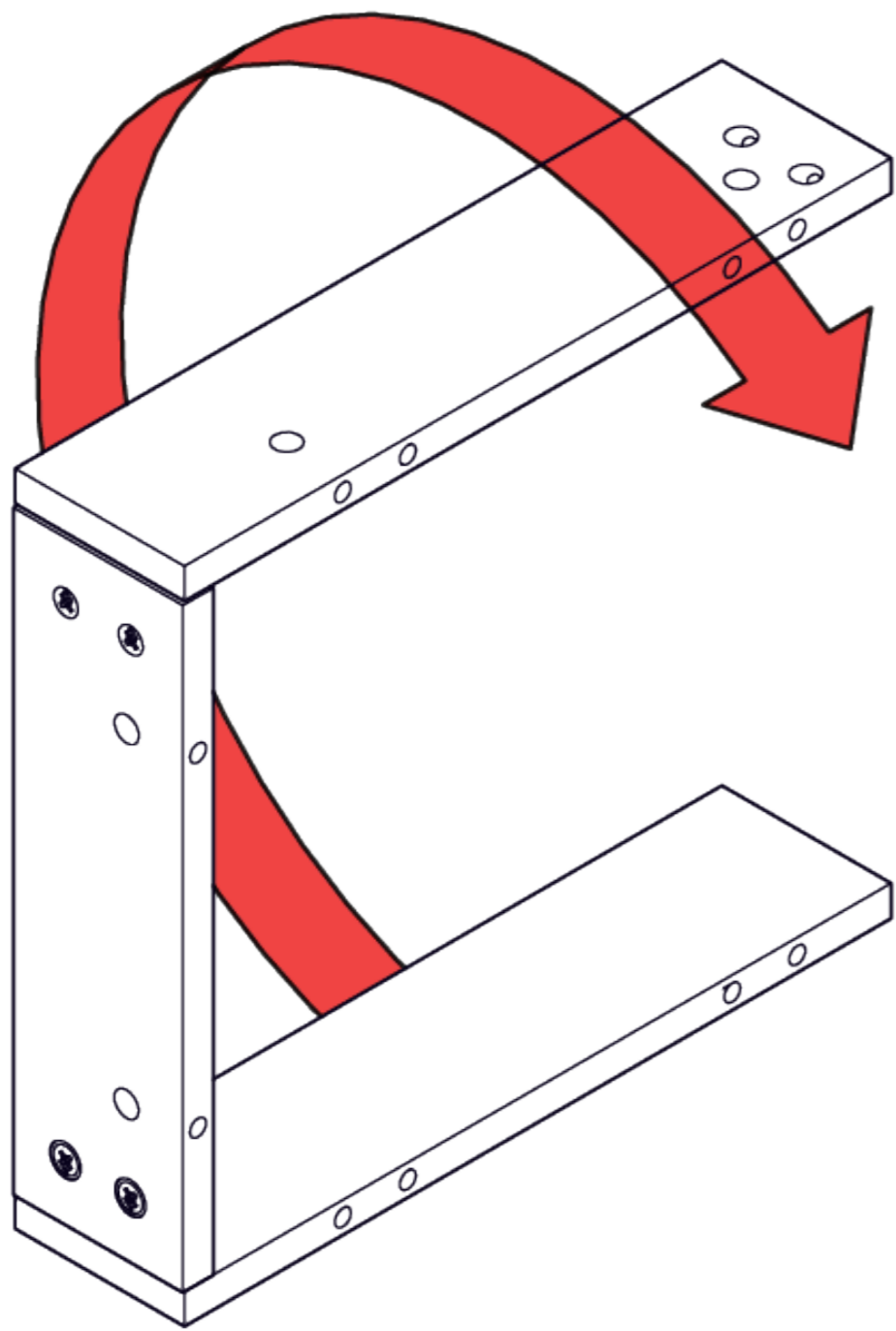


As shown in the illustration, connect Panel 25 to Panel 23, install the Cam wheels (A) on Panel 23, then rotate to tighten.



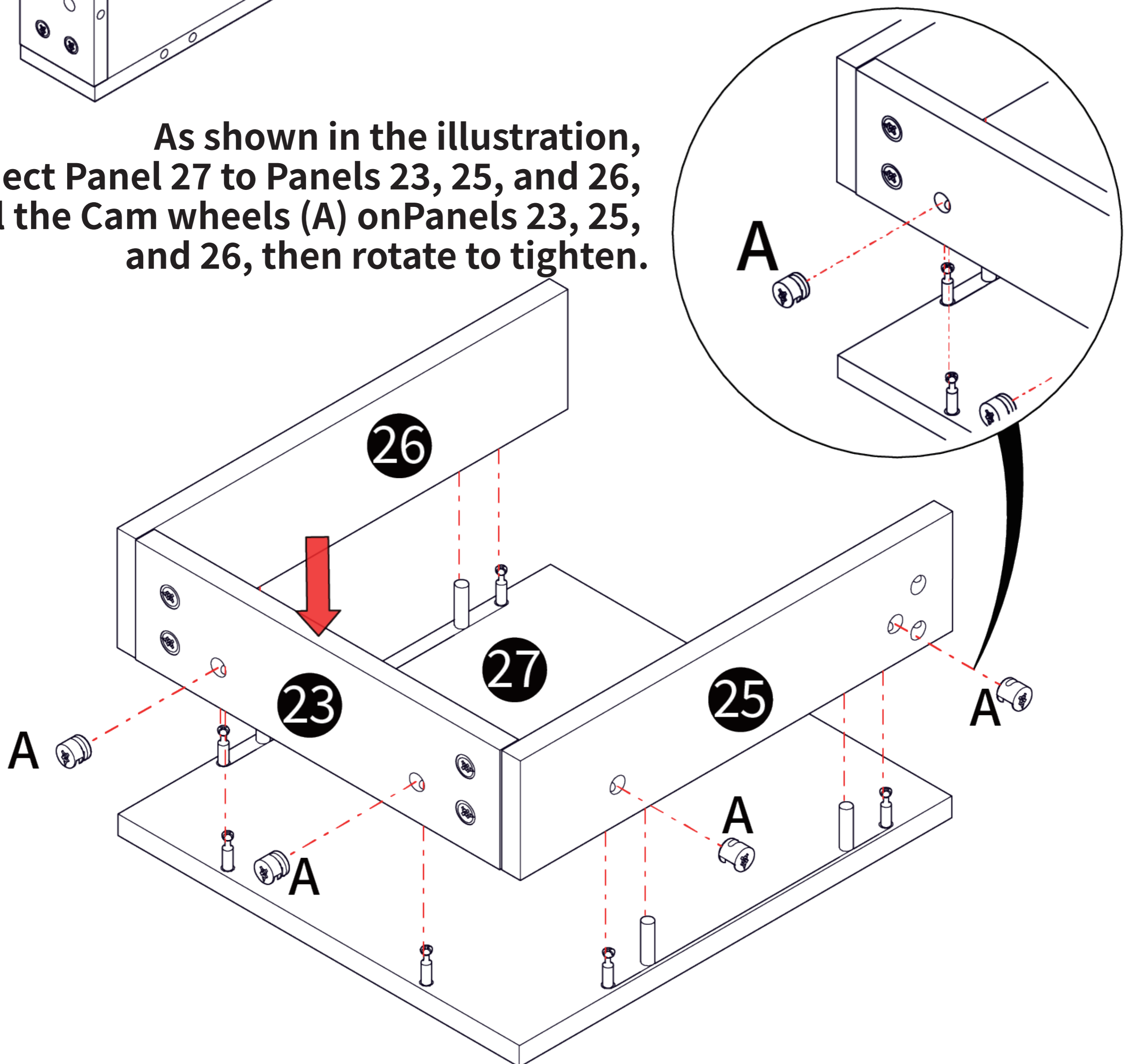
Cam wheel

49

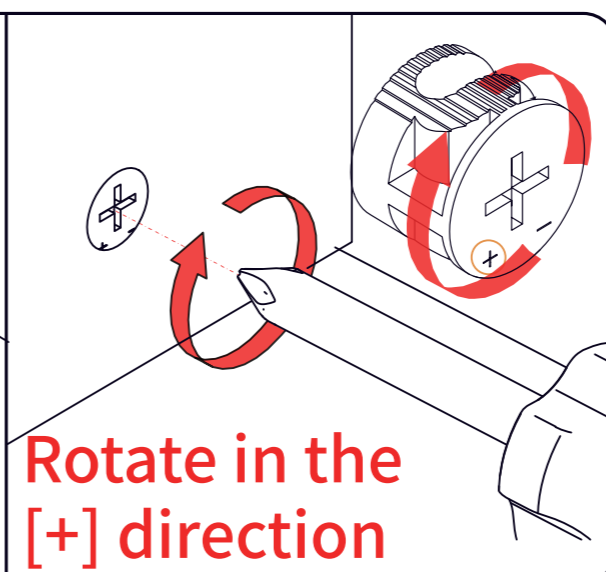
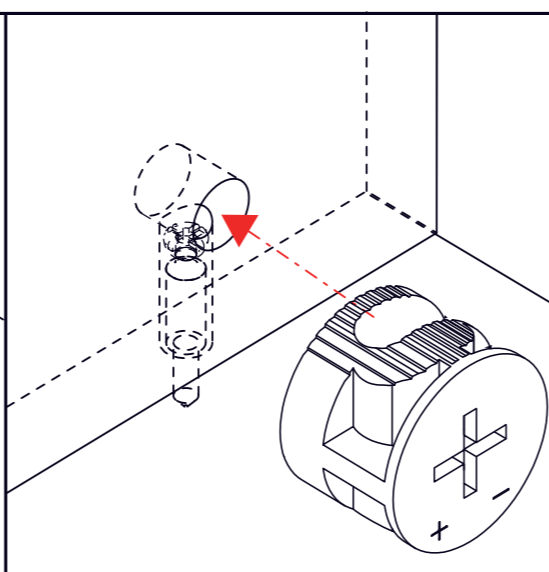
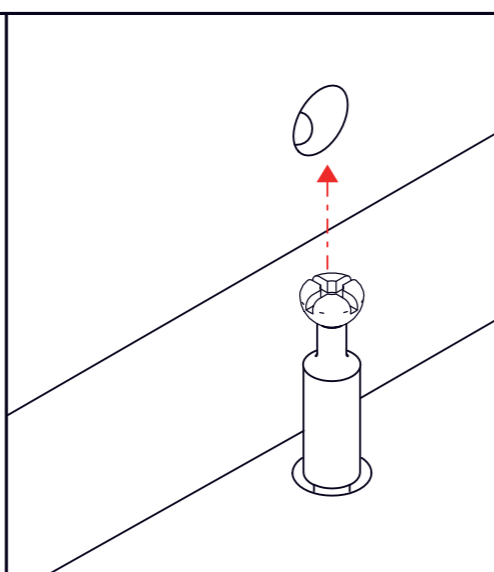


Rotate the cabinet body by 90°.

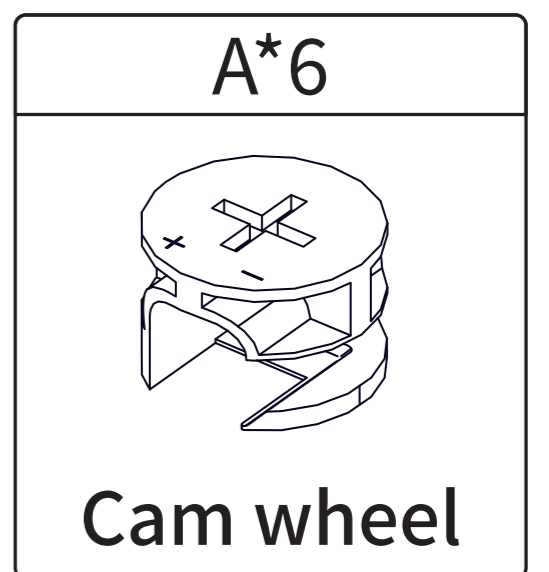
As shown in the illustration, connect Panel 27 to Panels 23, 25, and 26, install the Cam wheels (A) on Panels 23, 25, and 26, then rotate to tighten.



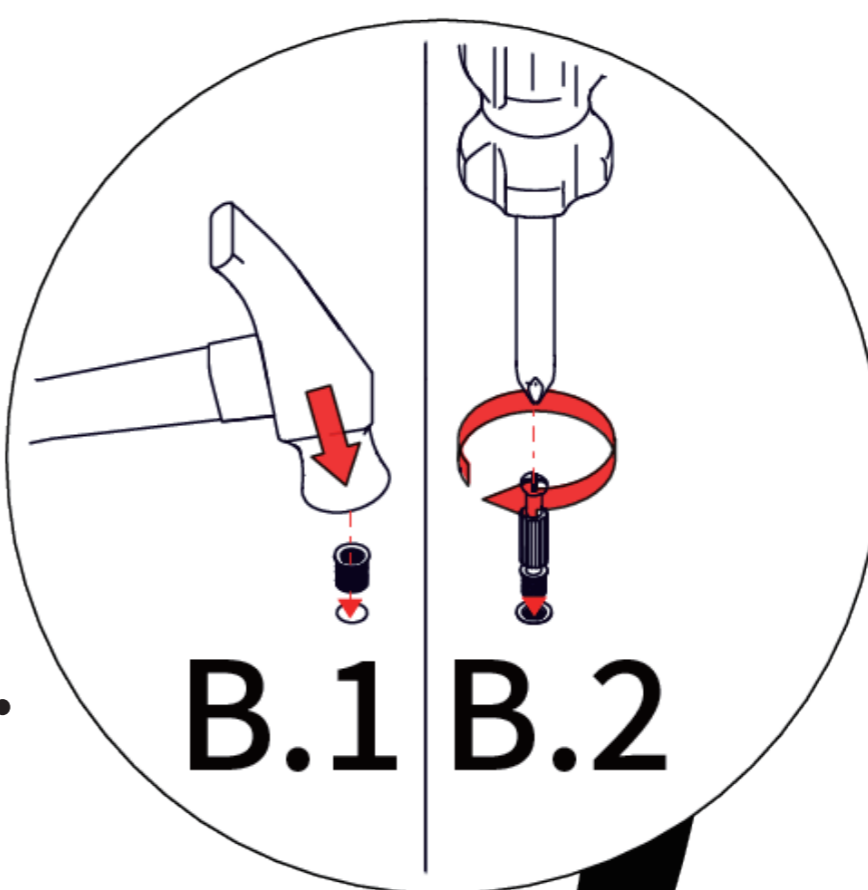
Cam wheel Diagram



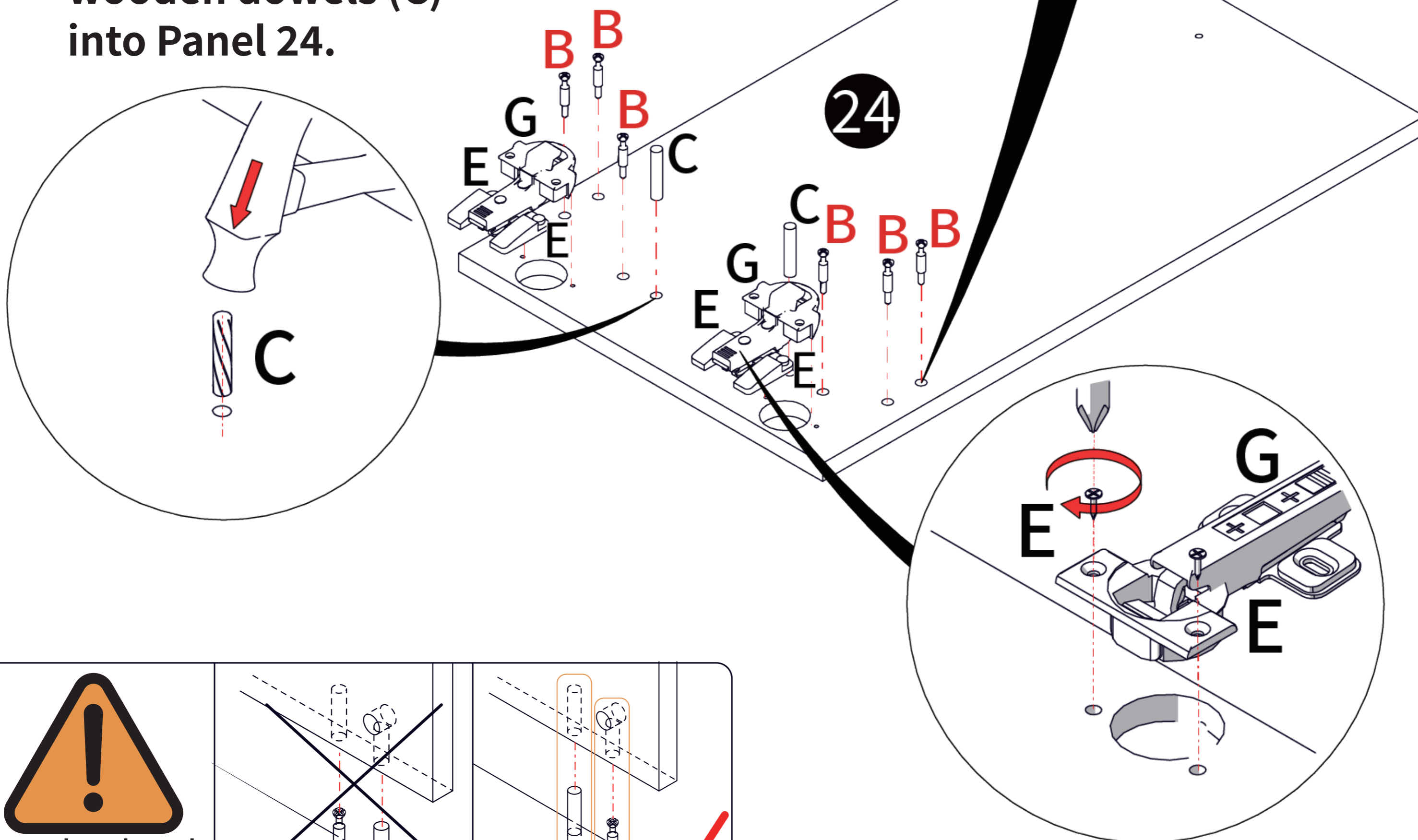
Rotate in the [+]



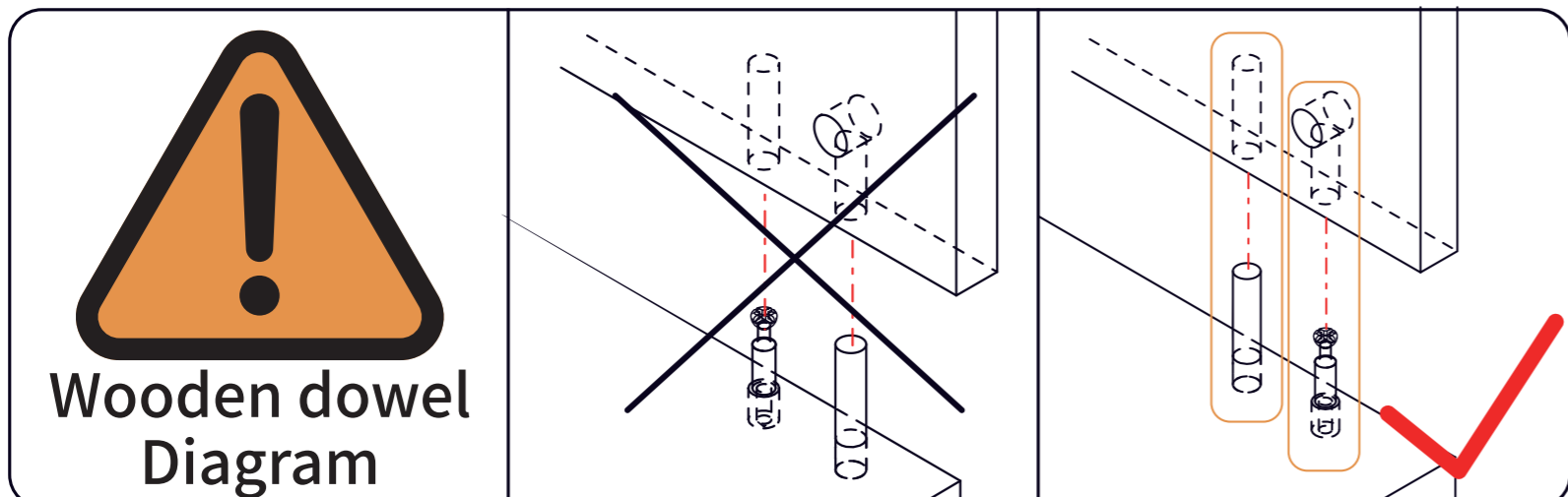
As shown in the illustration, tap the black Cam Nuts (B.1) into Panel 24, then use a screwdriver to screw the Cam bolts (B.2) into the black Cam Nuts.



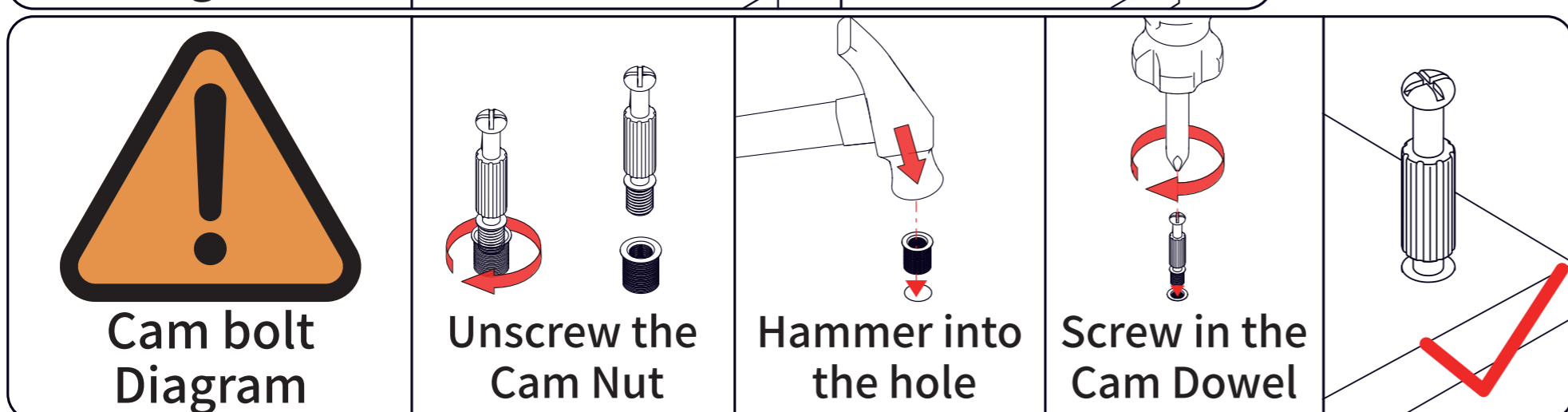
Insert the wooden dowels (C) into Panel 24.



Then use short screws (E) to fix the Hinges (G) onto Panel 24.



Wooden dowel Diagram

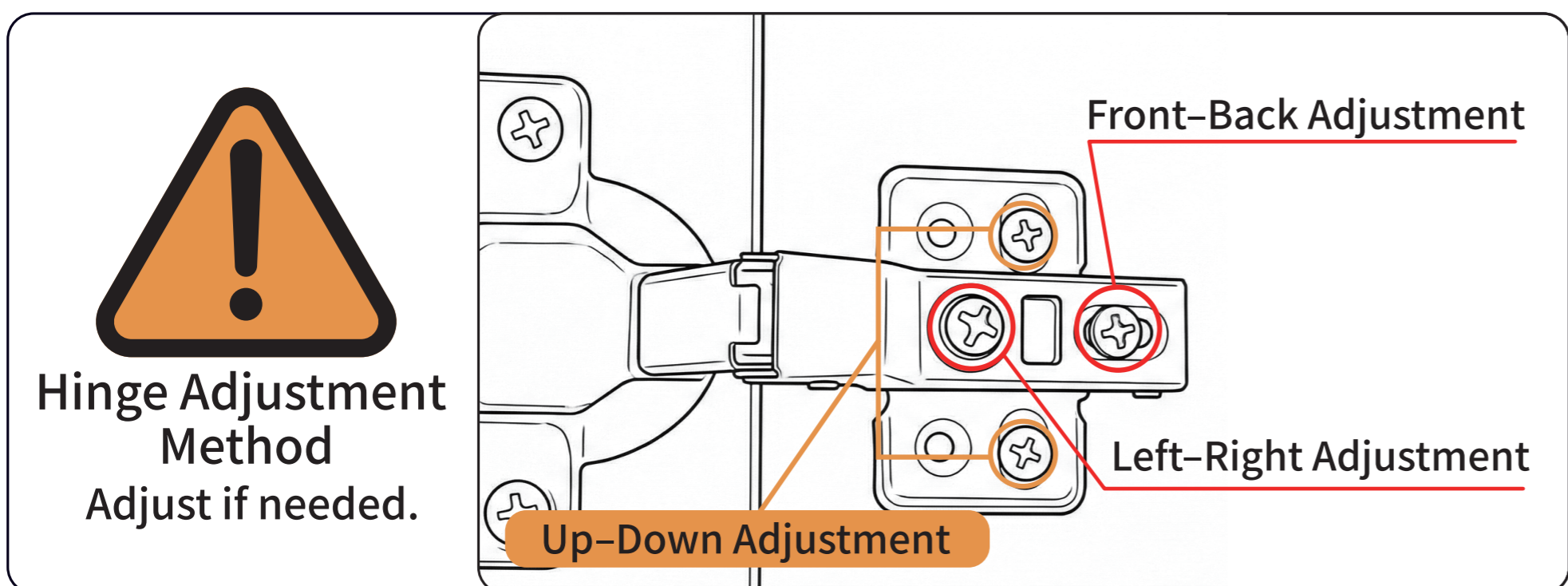


Cam bolt Diagram

Unscrew the Cam Nut

Hammer into the hole

Screw in the Cam Dowel



Hinge Adjustment Method
Adjust if needed.

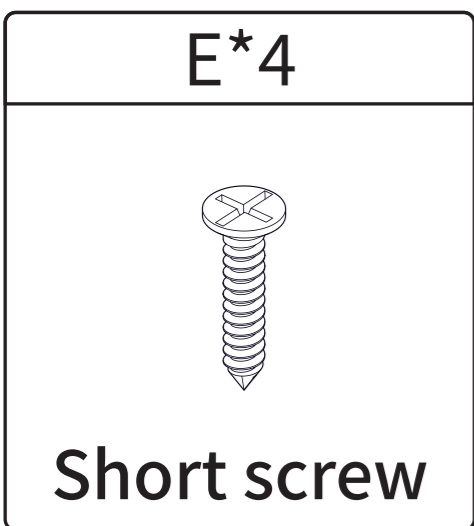
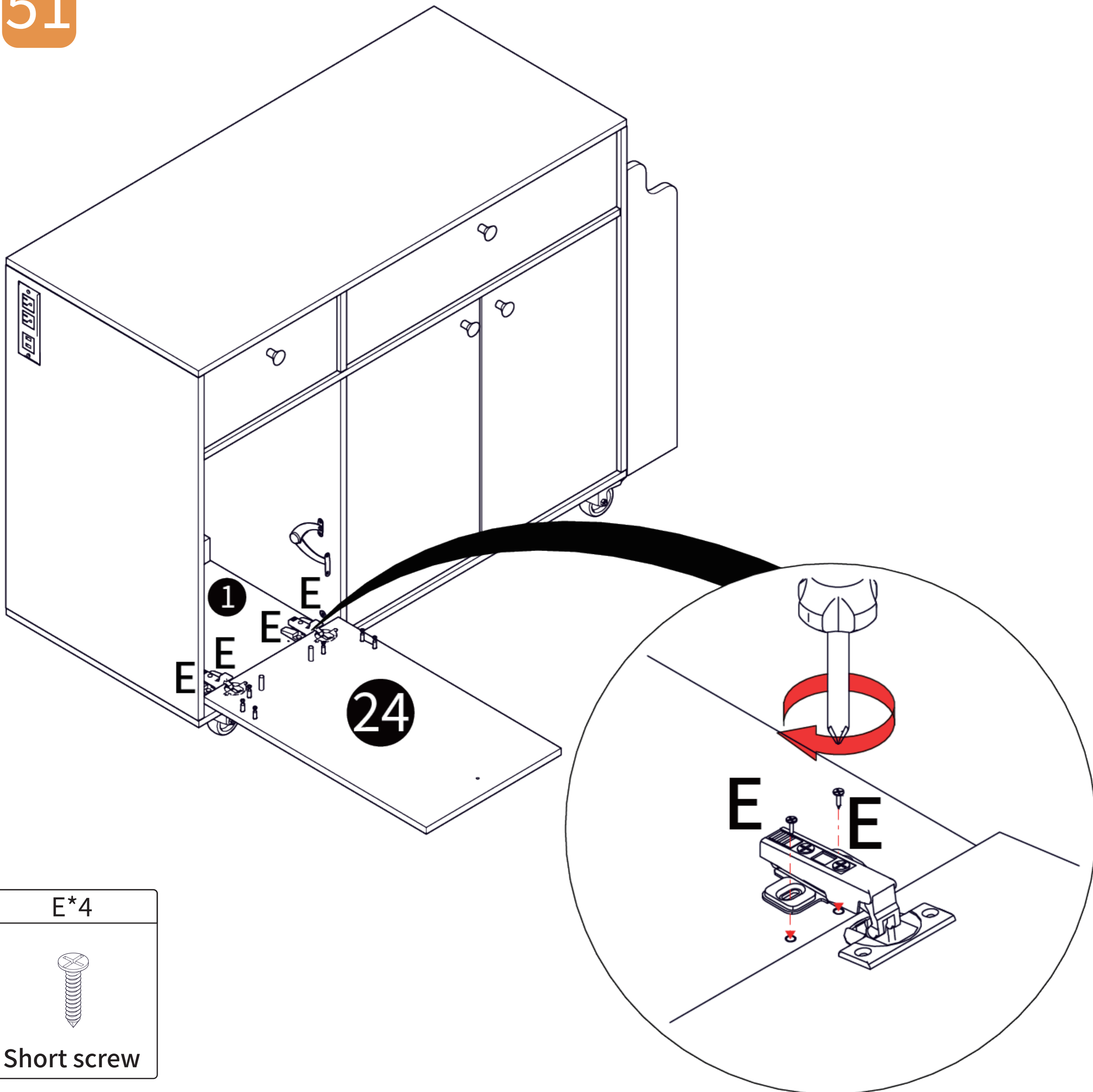
Up-Down Adjustment

Front-Back Adjustment

Left-Right Adjustment

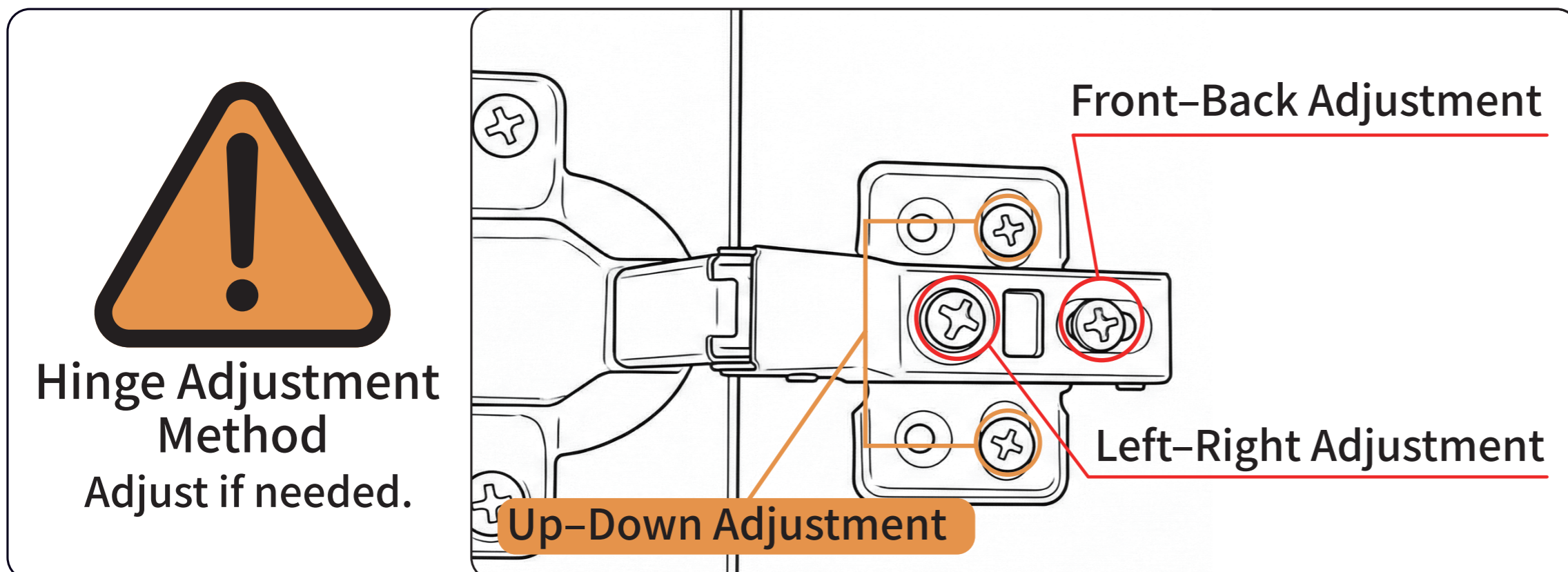
B*6	C*2
Cam bolt	Wooden dowel
E*4	G*2
Short screw	Hinge

51

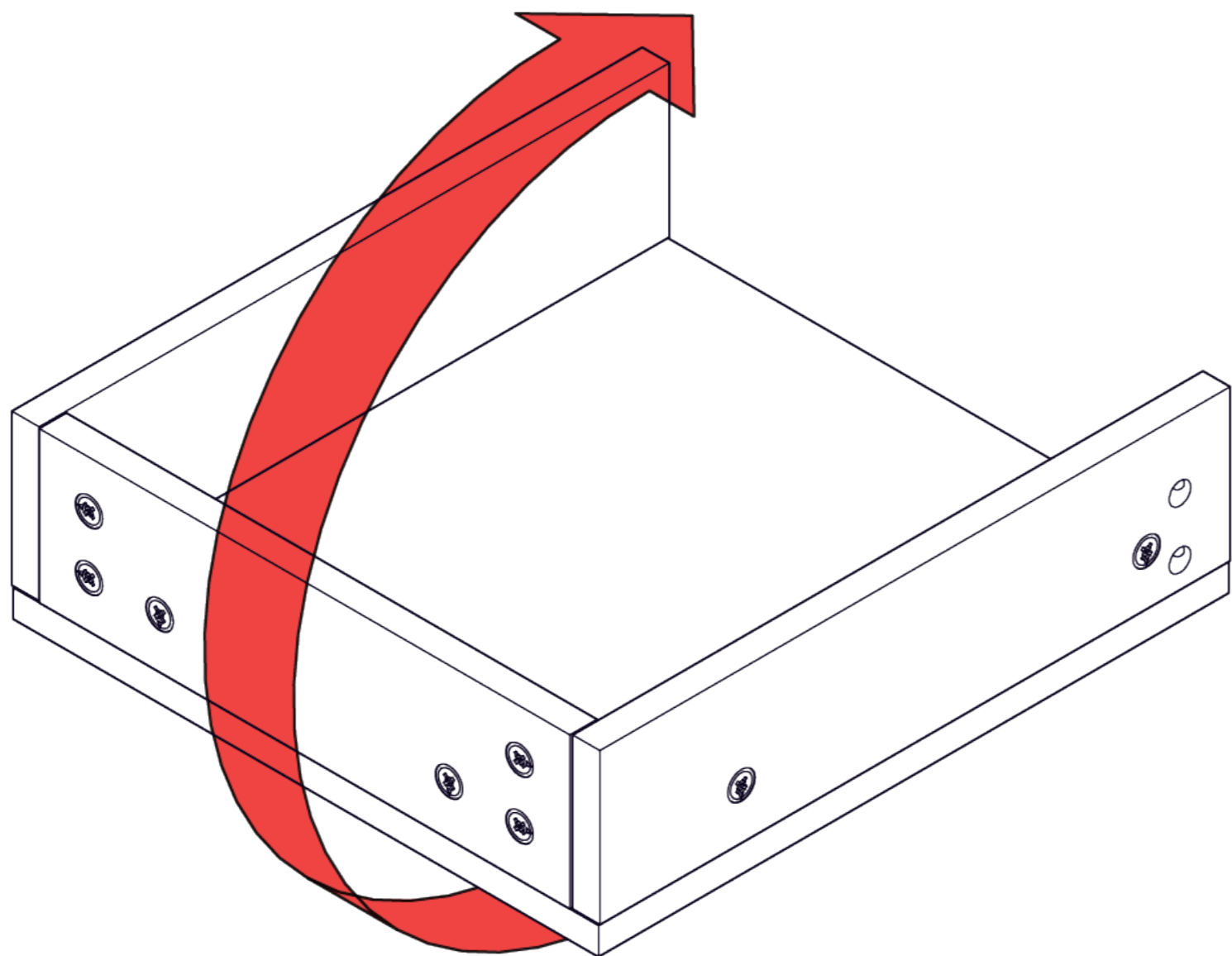


As shown in the illustration, use short screws (E) to fix Panel 24 to Panel 1.

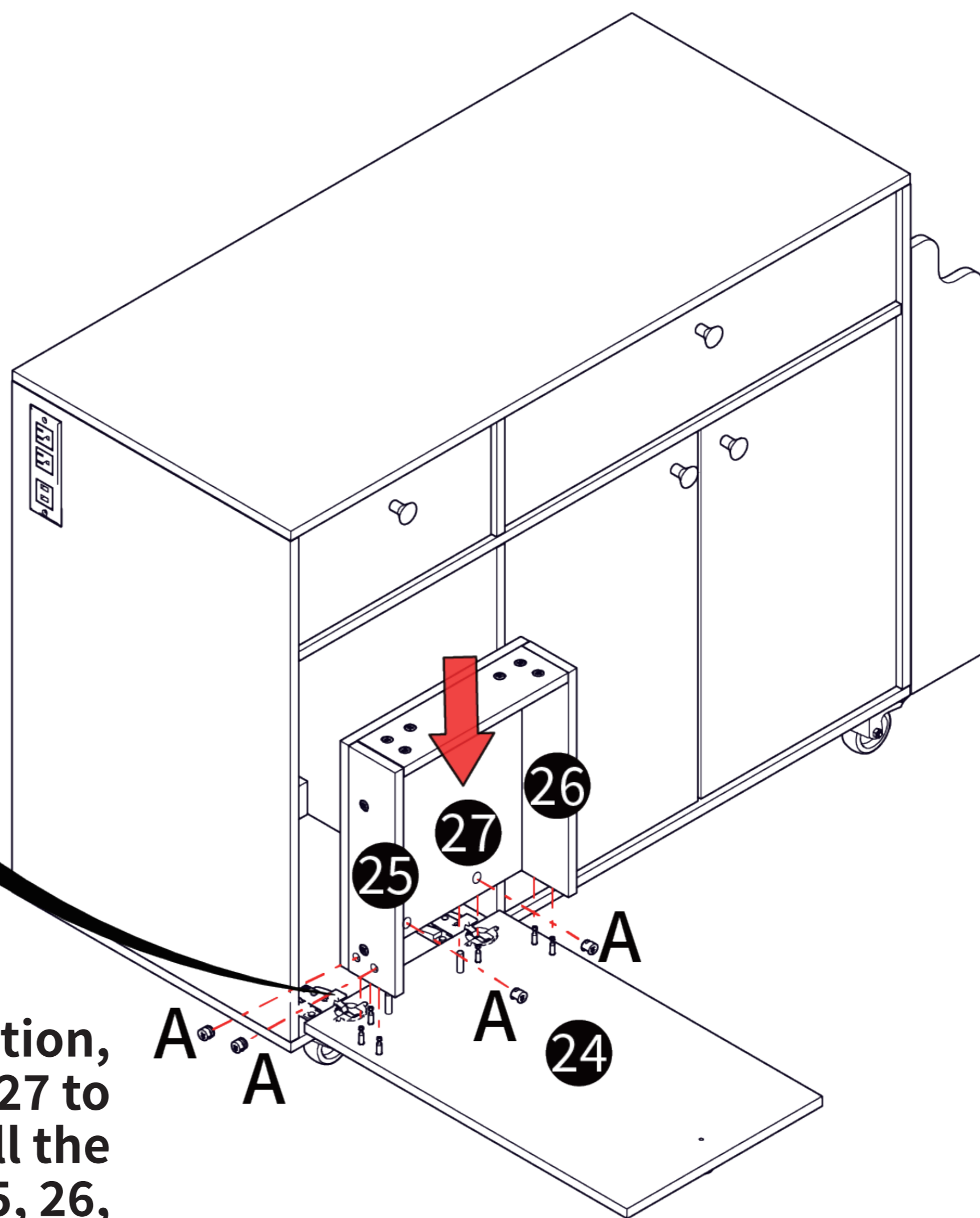
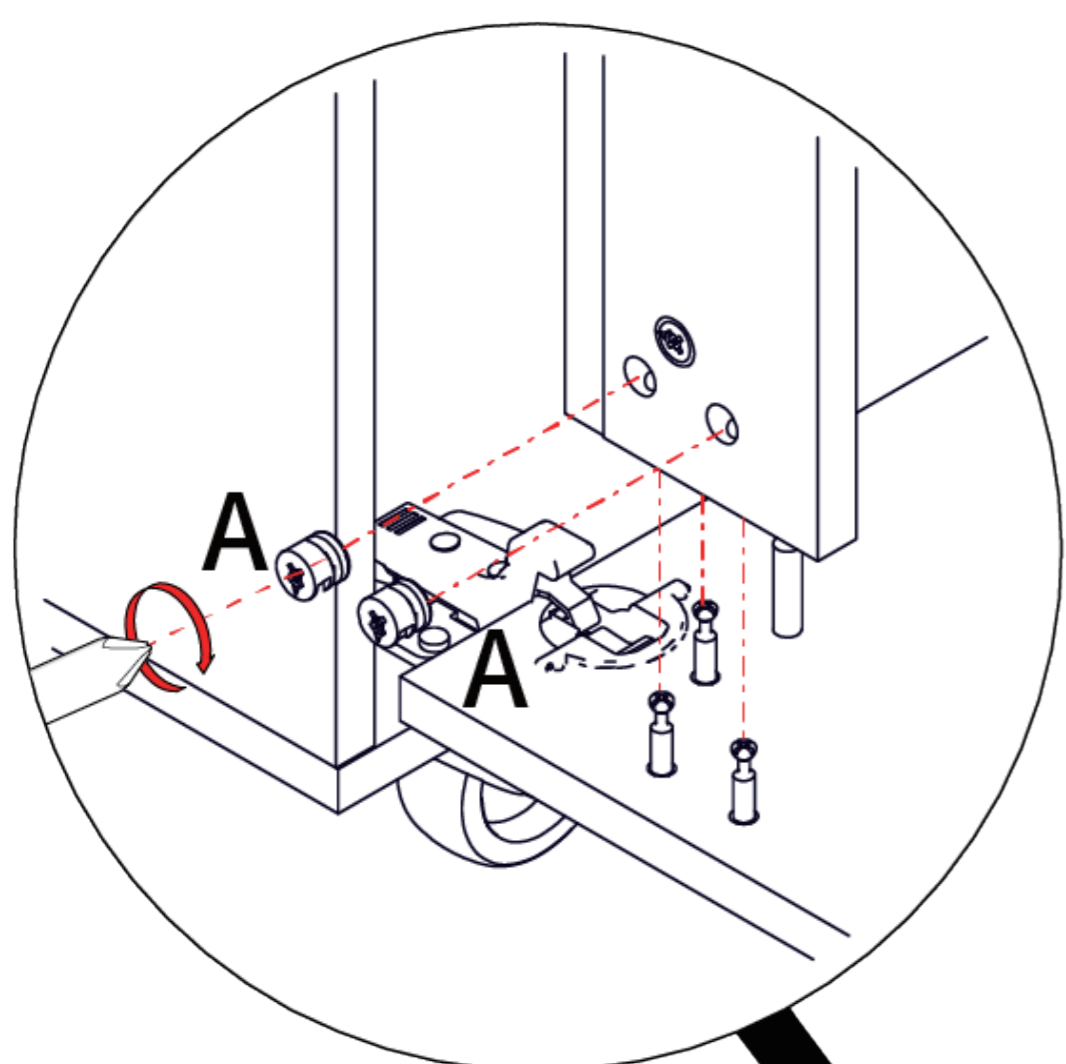
*See page 46 for hinge adjustment instructions.



52



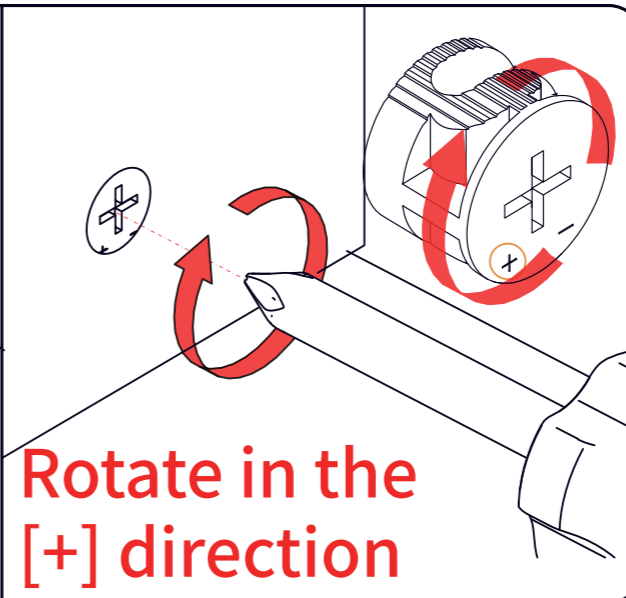
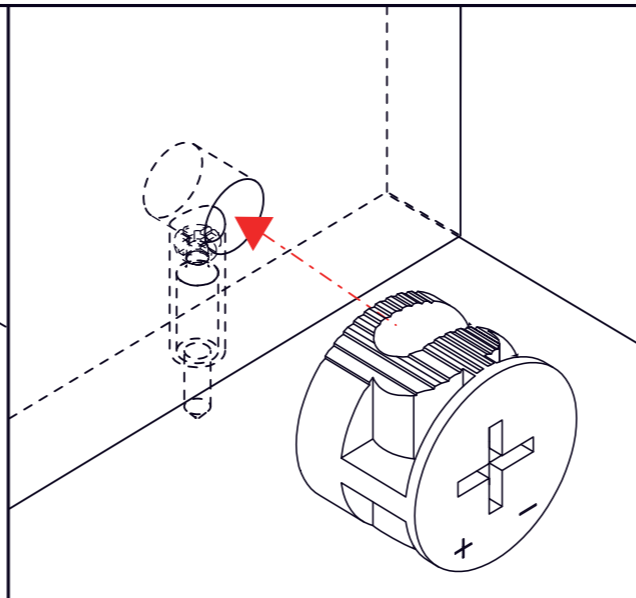
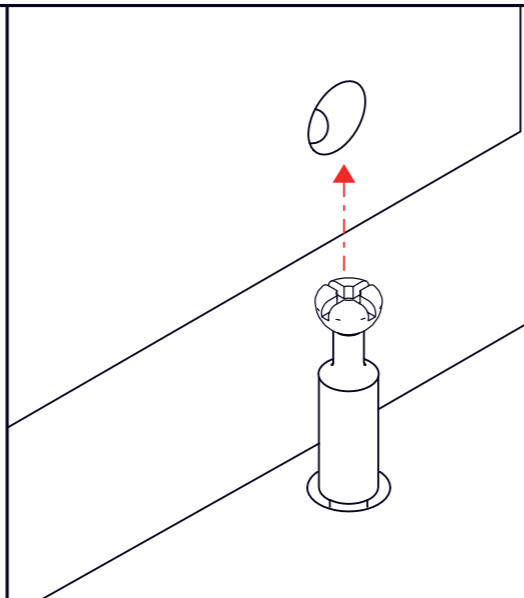
Rotate the cabinet body by 90°.



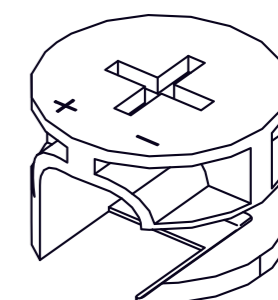
As shown in the illustration, connect Panels 25, 26, and 27 to Panel 24, install the Cam wheels (A) on Panels 25, 26, and 27, then rotate to tighten.



Cam wheel Diagram



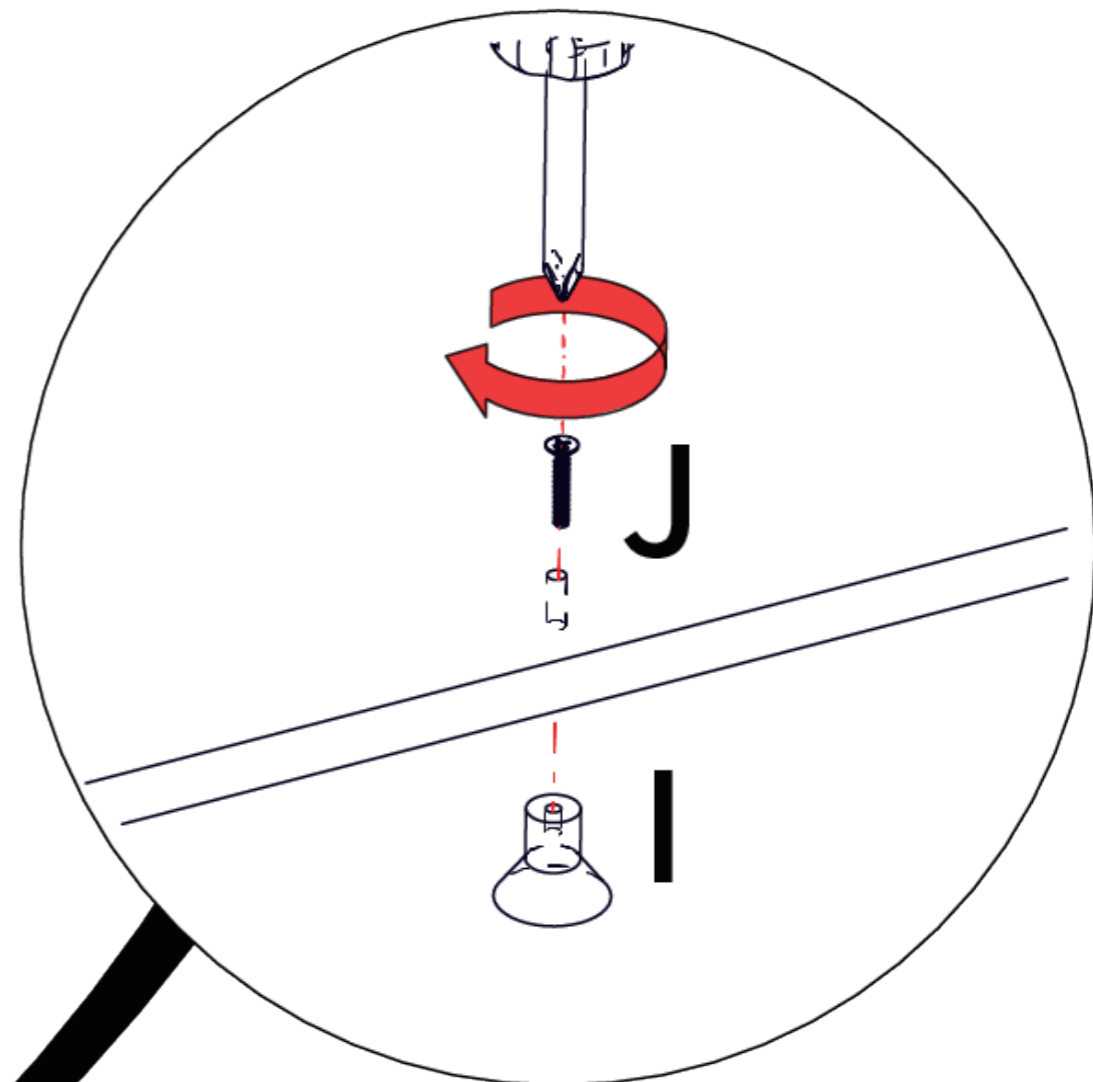
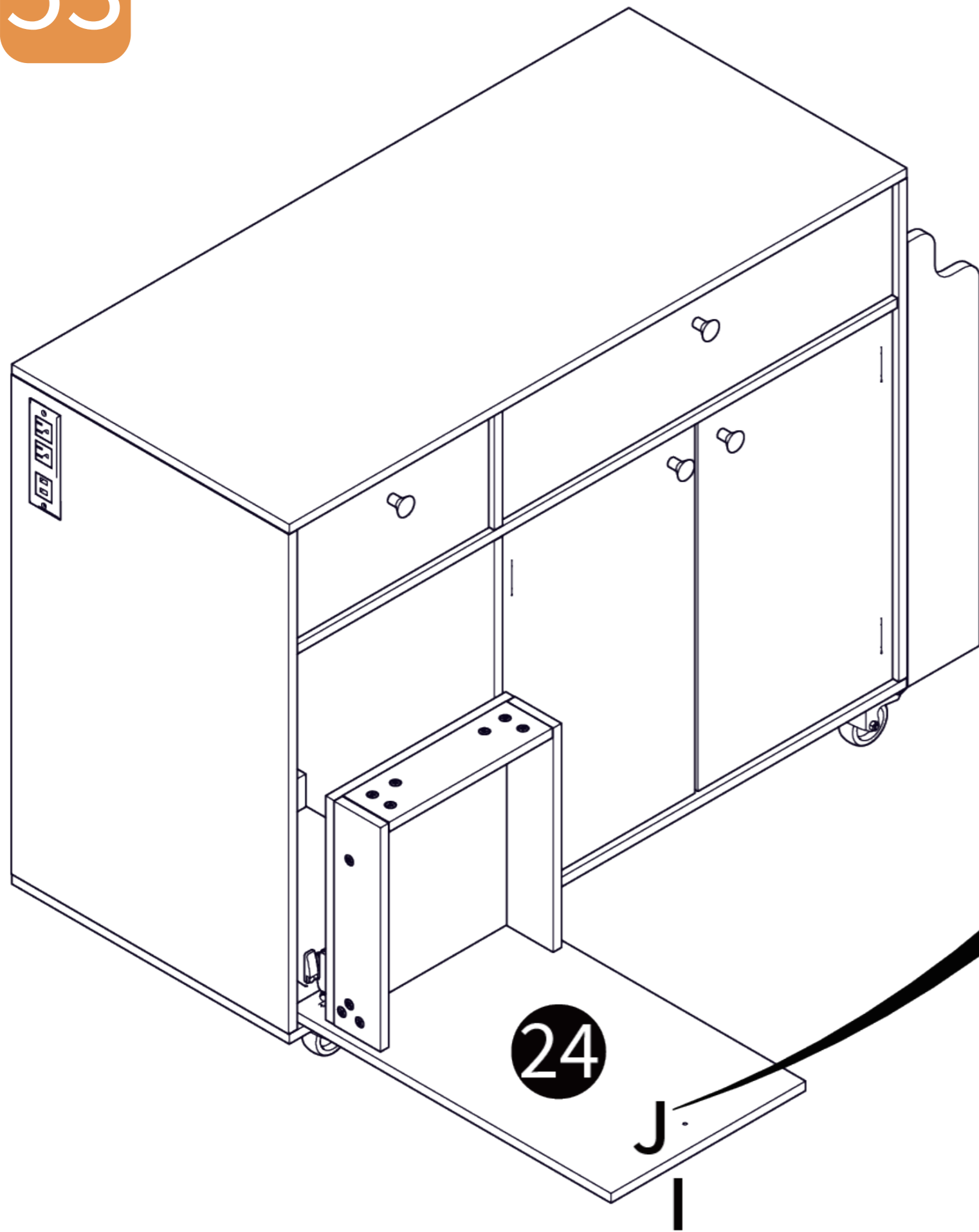
A*6

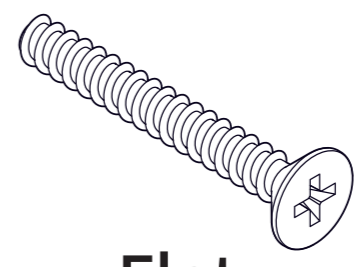
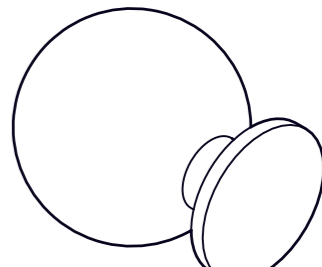


Cam wheel

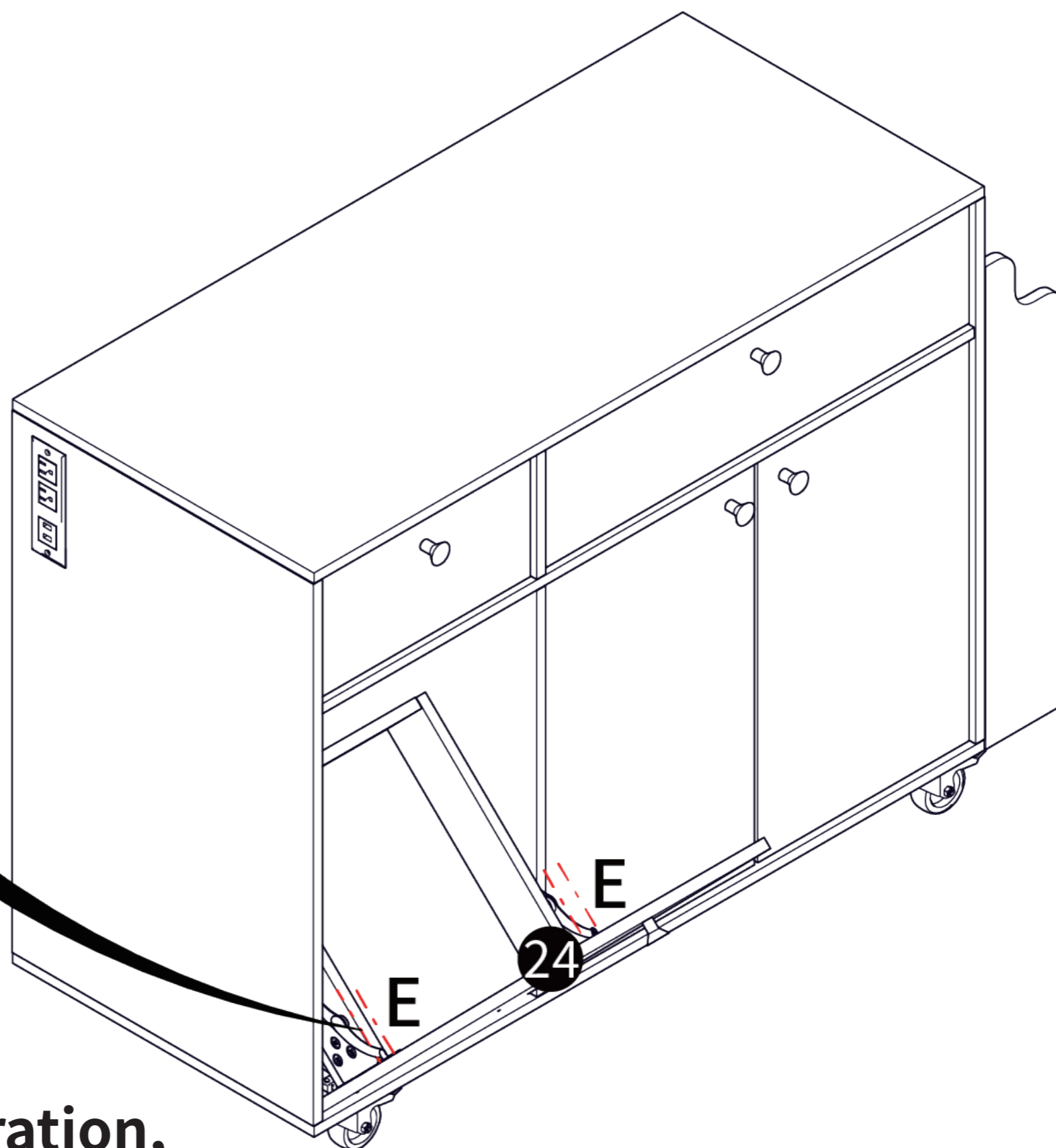
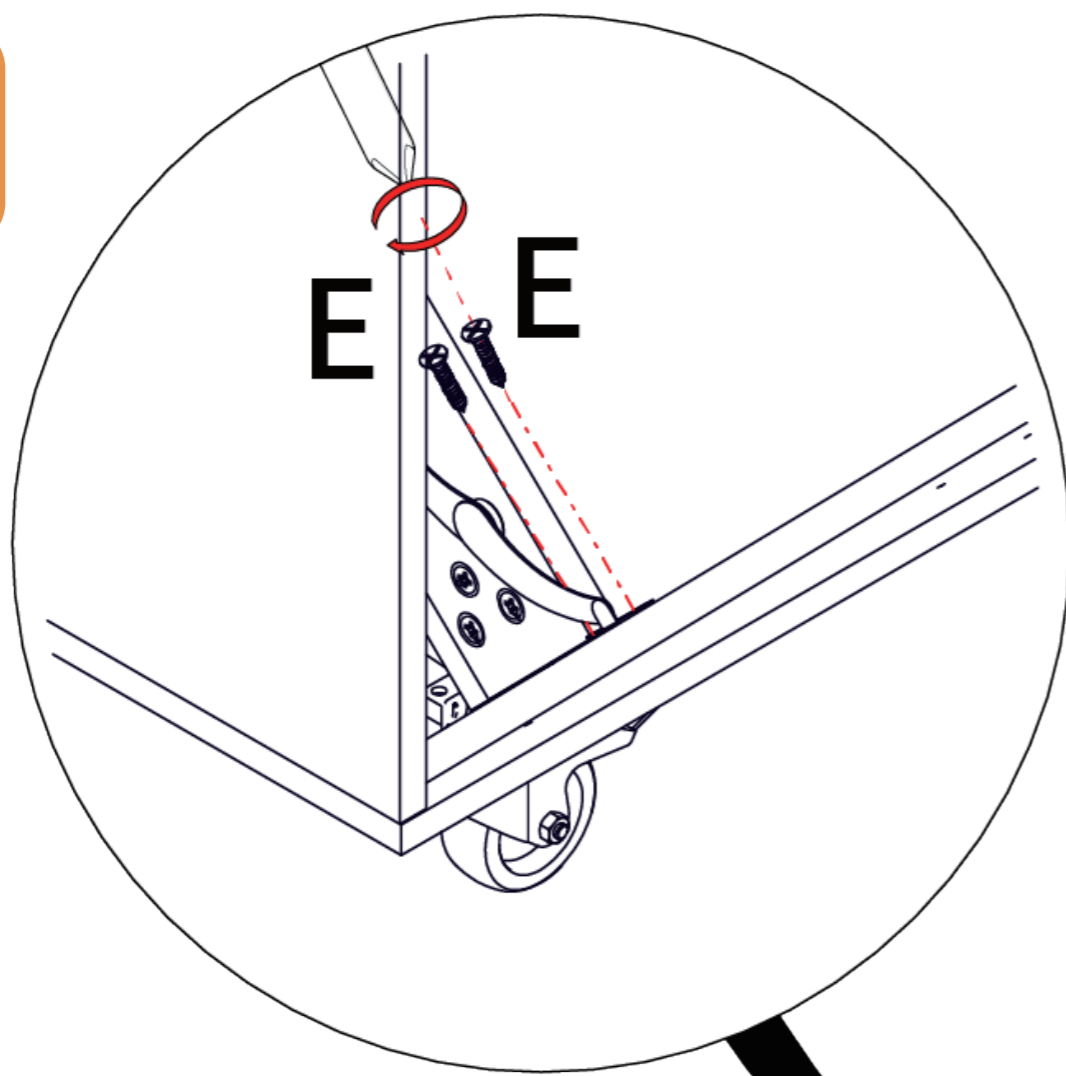
53

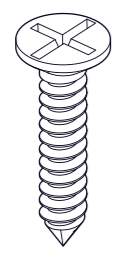
As shown in the illustration, use flat-head screw (J) to install Handle (I) onto Panel 24.



J*1	I*1
	
Flat-head screw	Handle

54

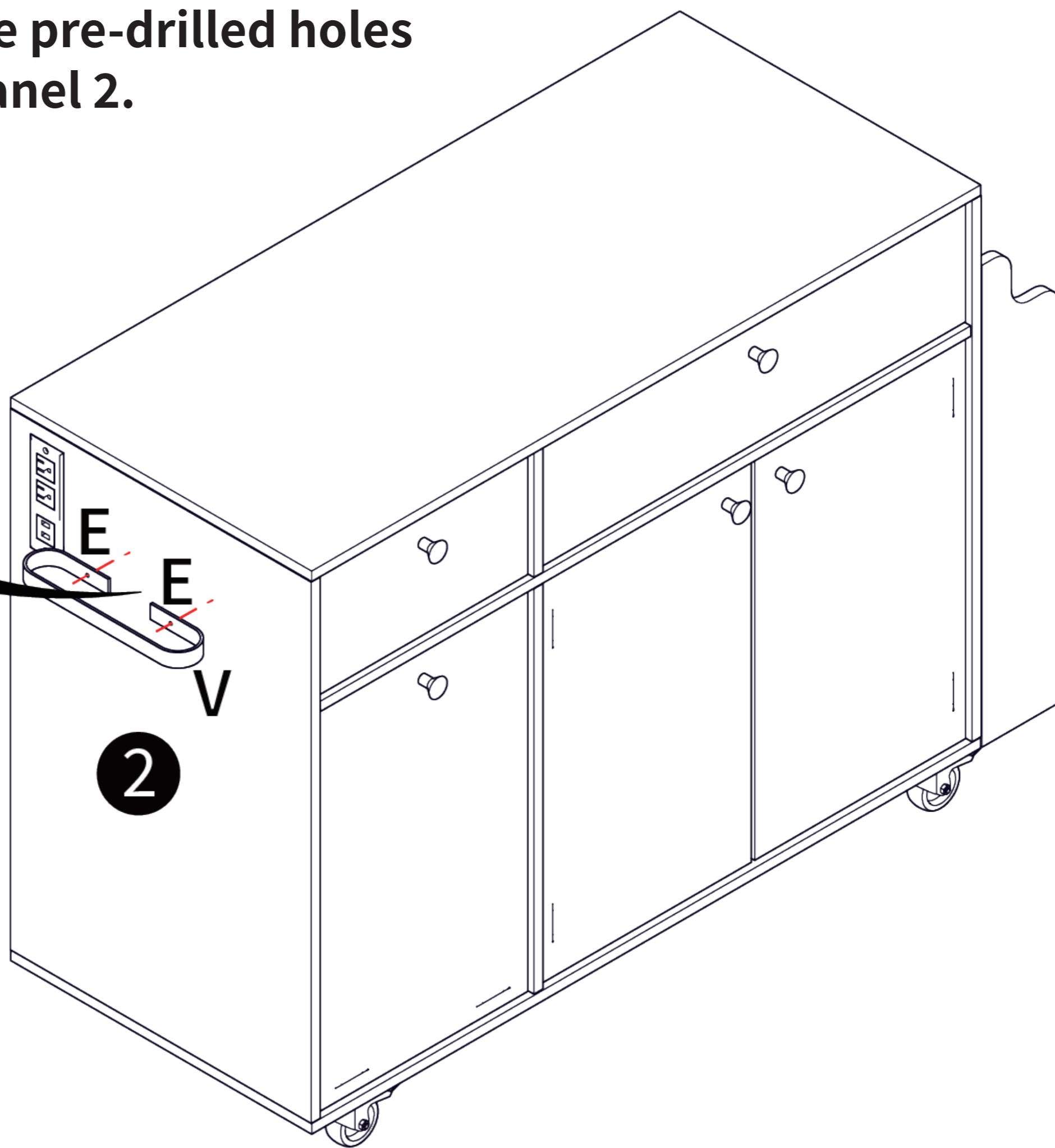
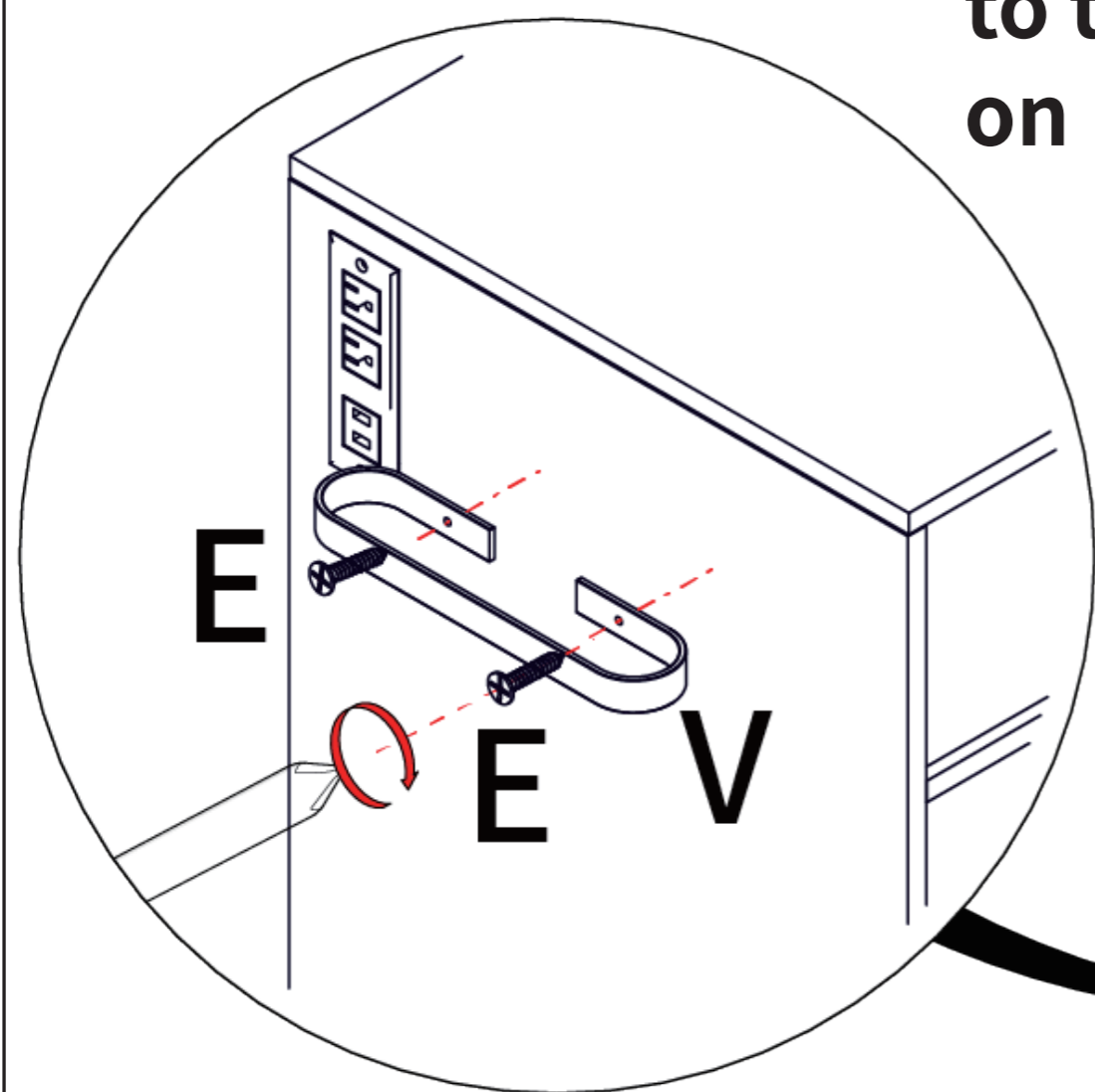


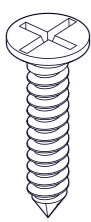
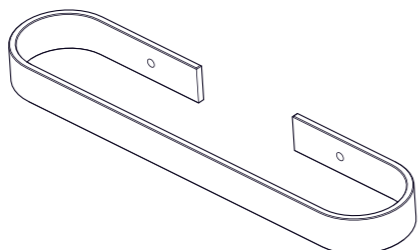
E*4

Short screw

As shown in the illustration, lift Panel 24 upward and use short screws (E) to fasten the Positioning Stopper (T) to the pre-drilled holes on Panel 24.

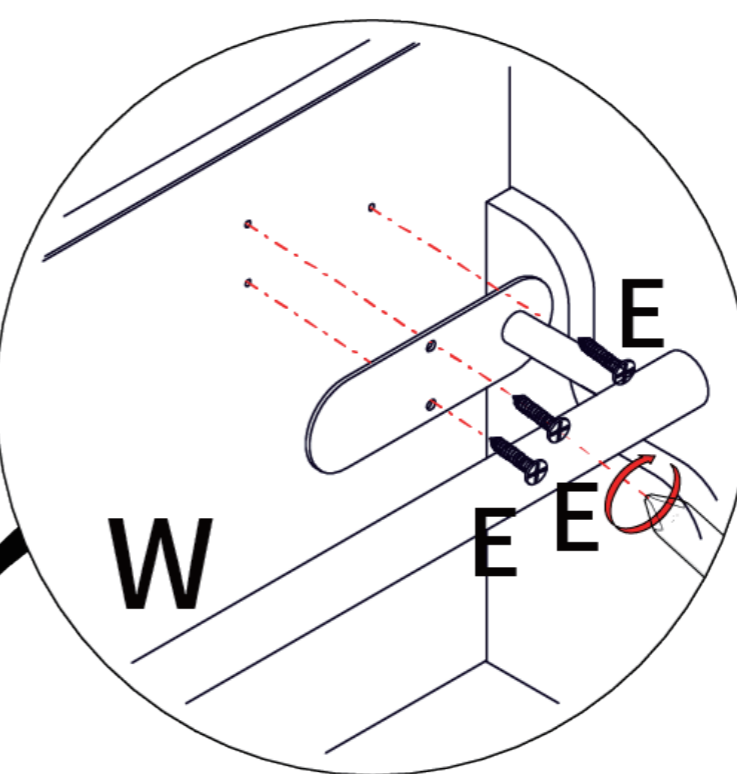
55

As shown in the illustration, use short screws (E) to fasten the Towel Hanger (V) to the pre-drilled holes on Panel 2.

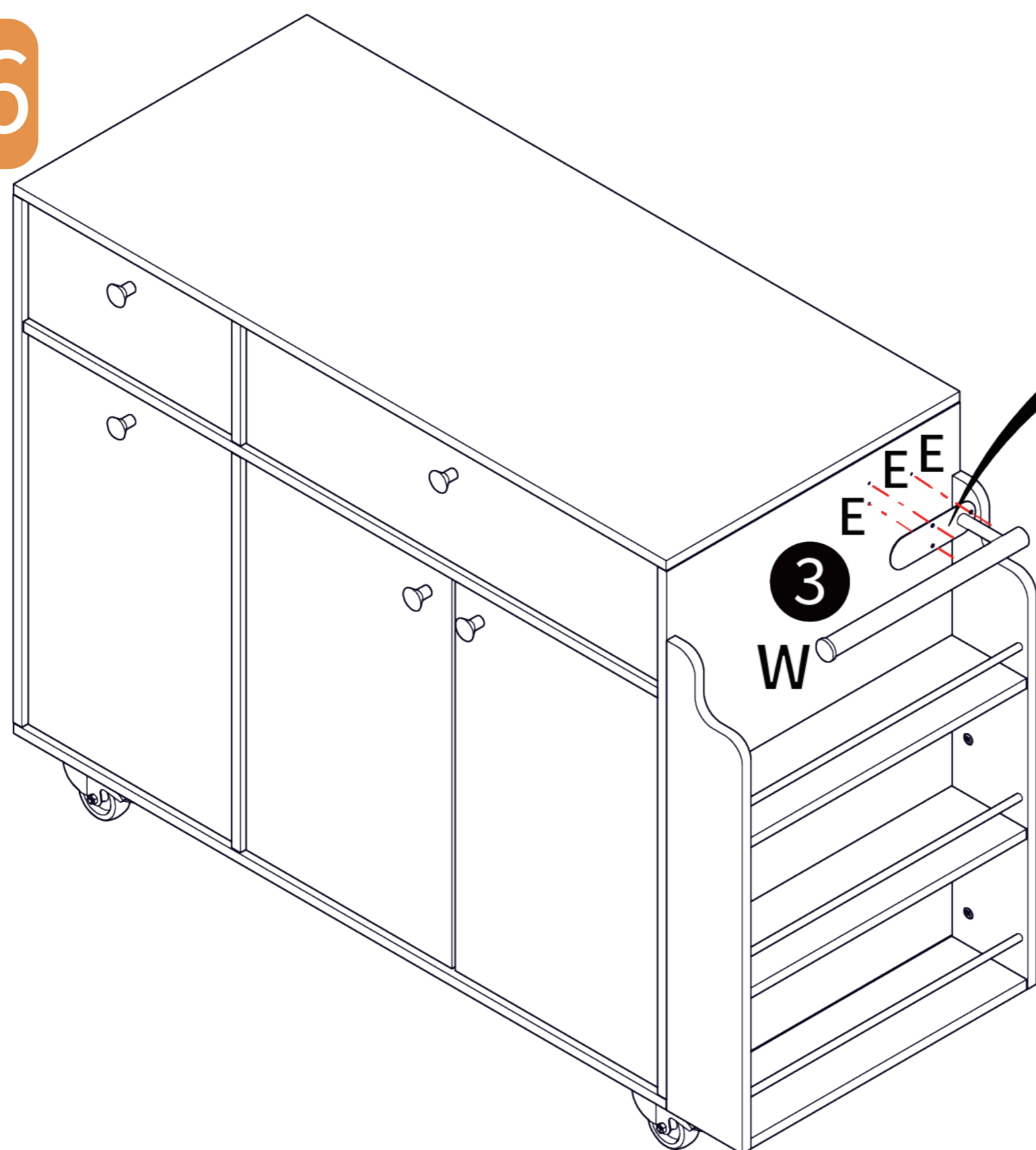


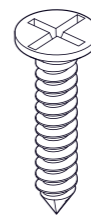

E*2	V*1
	
Short screw	Towel Hanger

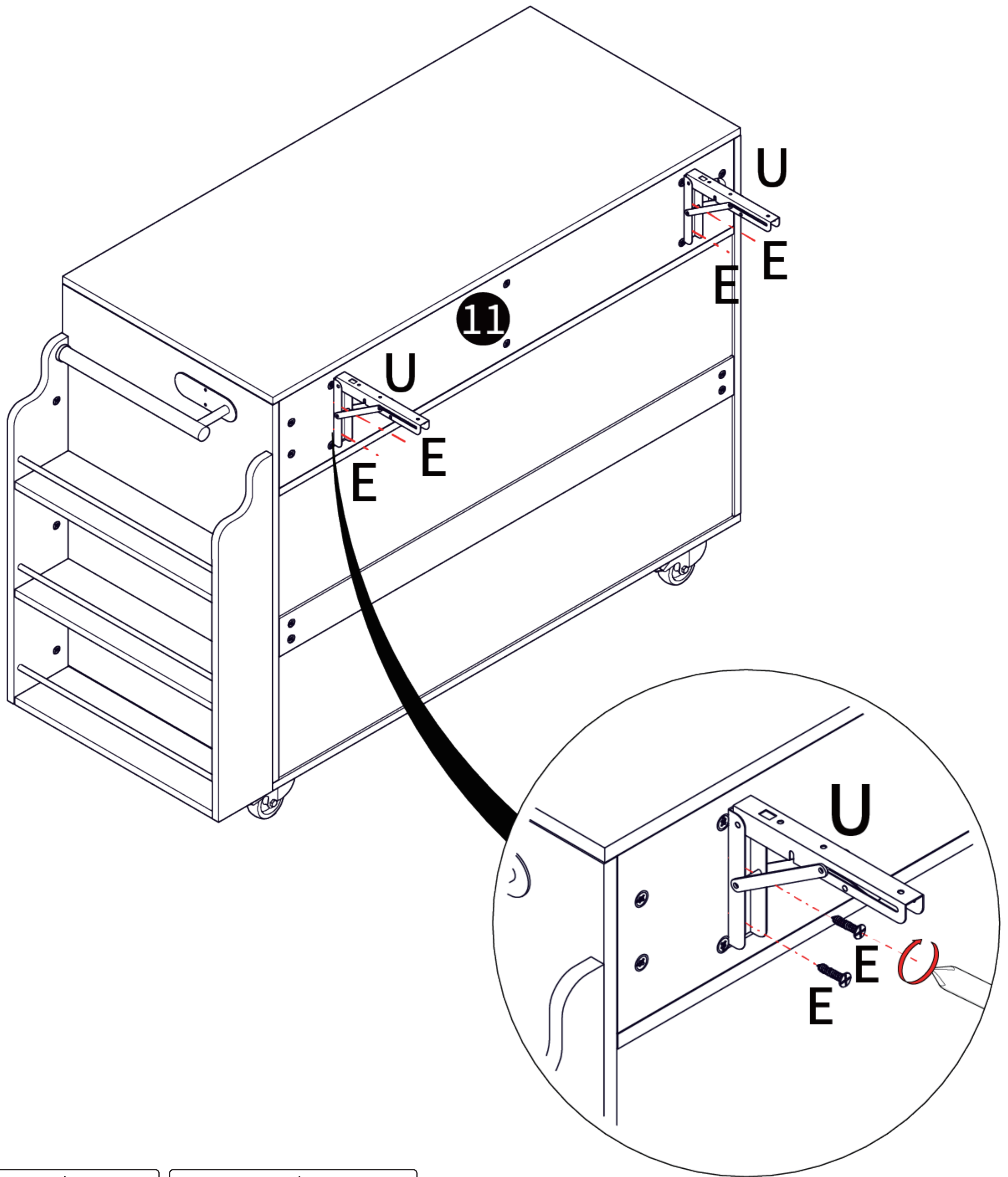
56

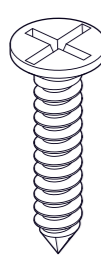
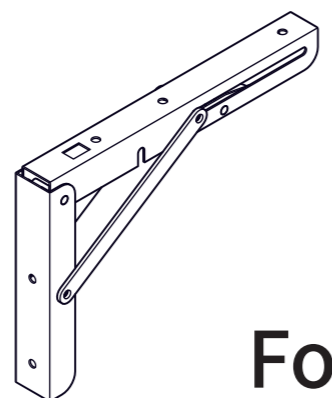


As shown in the illustration, use short screws (E) to fasten the Paper Towel Holder (W) to the pre-drilled holes on Panel 3.

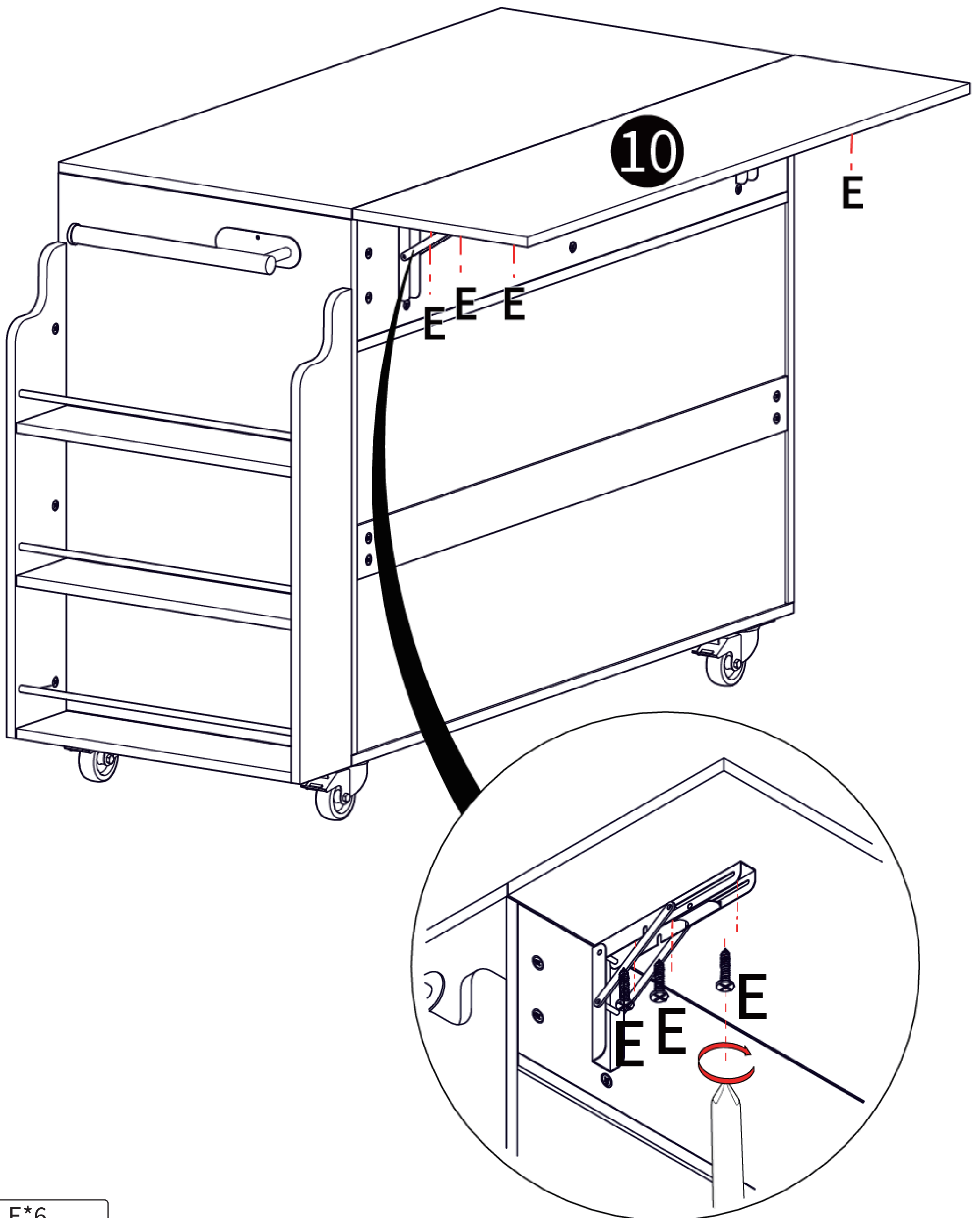


E*3	W*1
	
Short screw	Paper Towel Holder

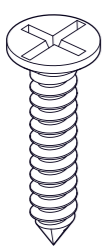


E*4	U*2
 Short screw	 Folding Tabletop Bracket

As shown in the illustration, use short screws (E) to fasten the folding tabletop Brackets (U) to the pre-drilled holes on Panel 11.



E*6



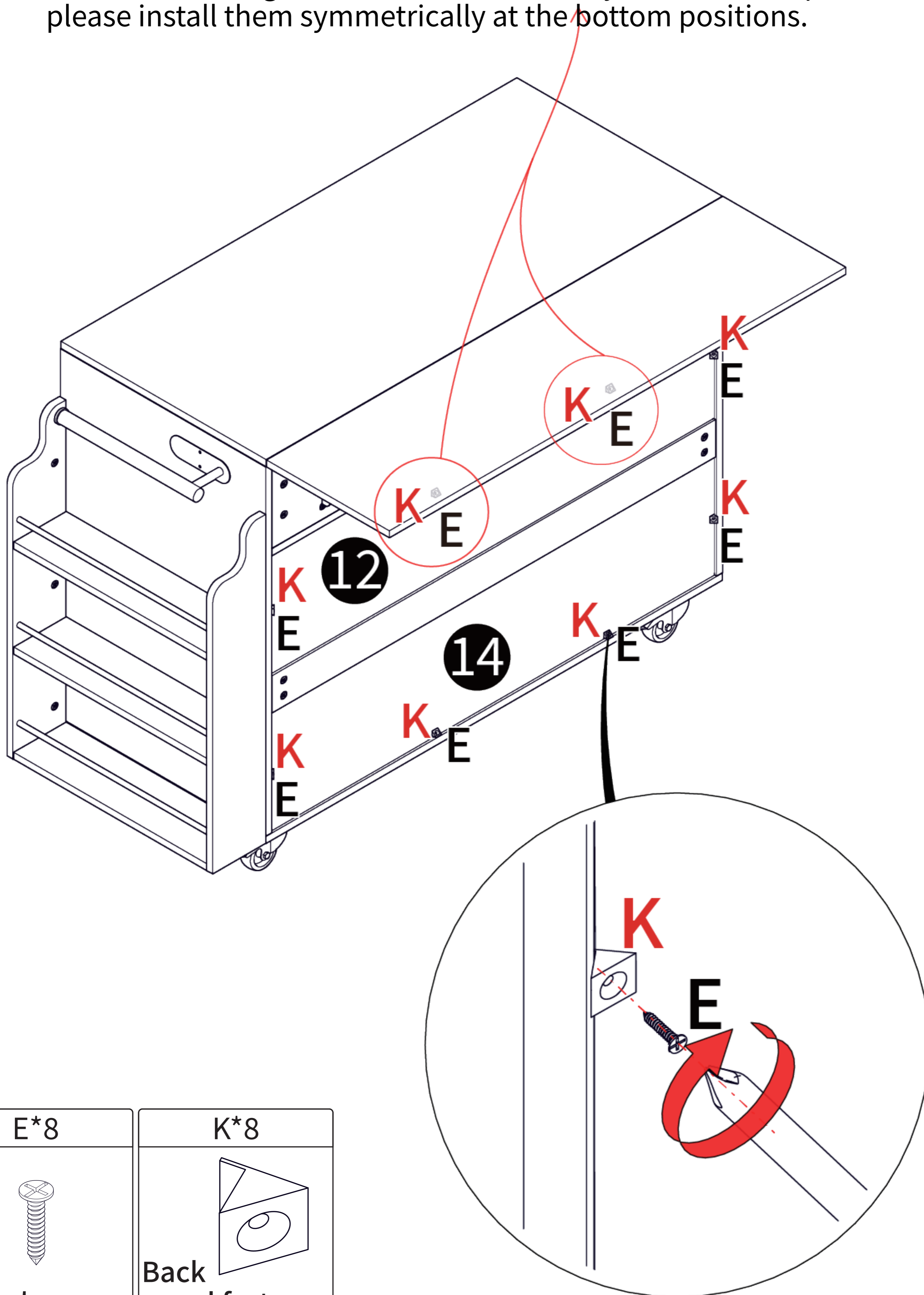
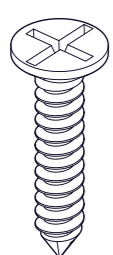
Short screw

Then place Panel 10 onto the folding tabletop brackets (U) and fasten it to the pre-drilled holes on Panel 10.

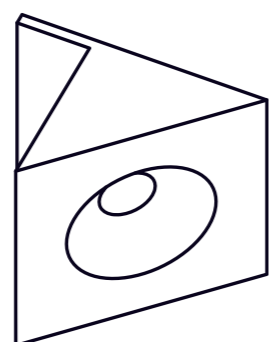
59

As shown in the illustration, use short screws (E) to install the Back panel fasteners (K) onto Back Panels 12 and 14.

Note: Two sets of fasteners (K+E) also need to be installed at the corresponding positions above the back panel. They are not shown in the diagram due to obstruction by the countertop; please install them symmetrically at the bottom positions.

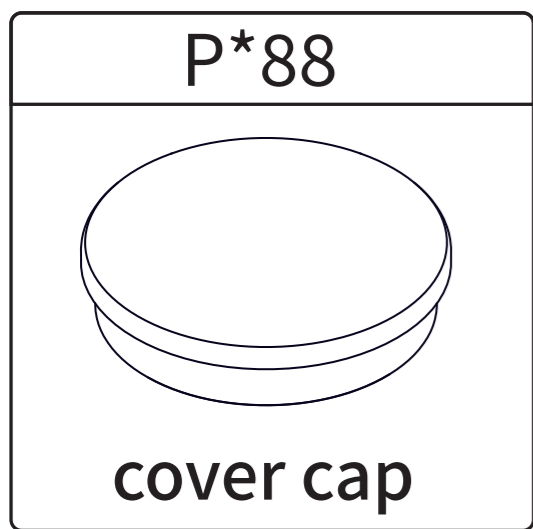
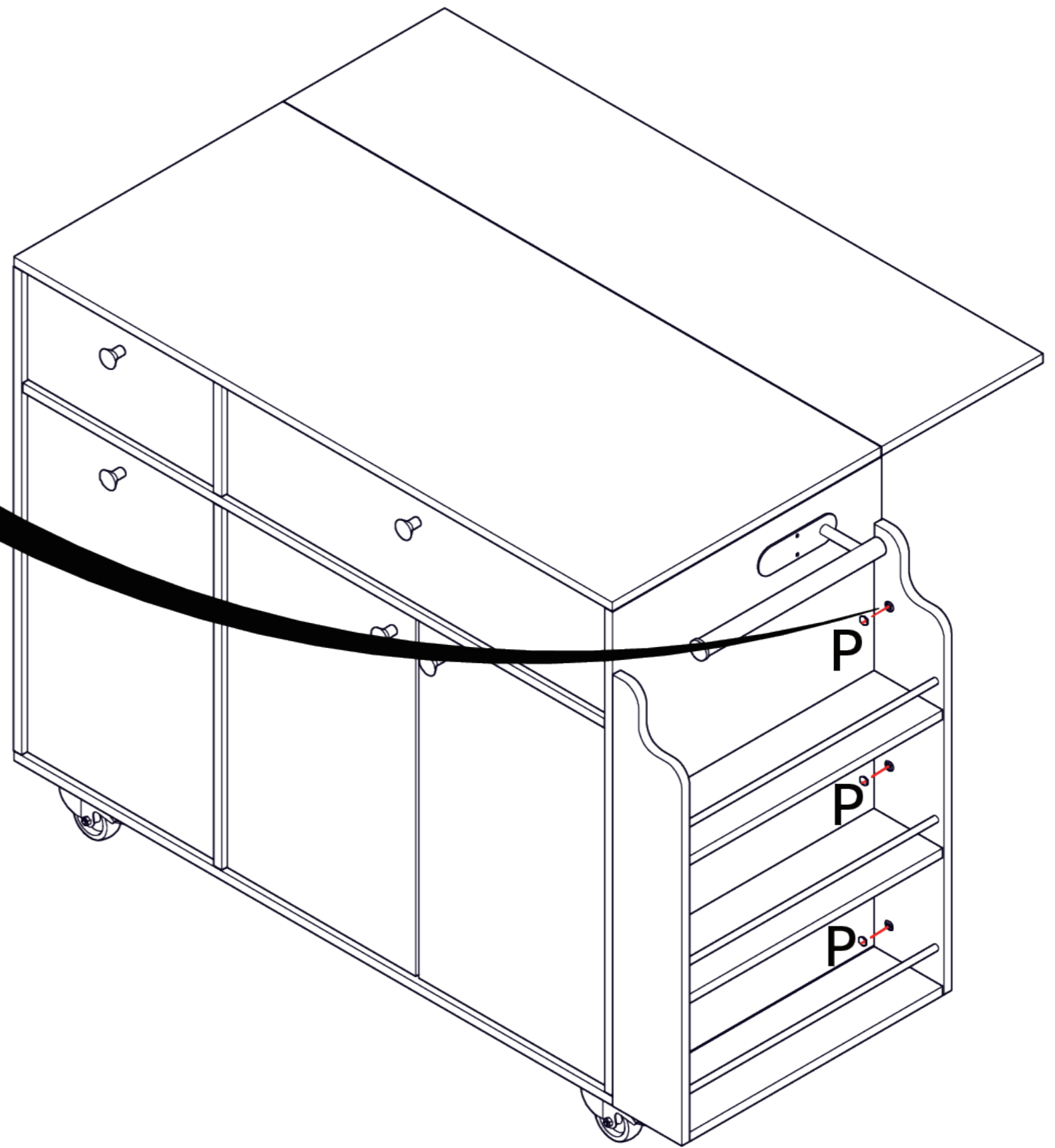
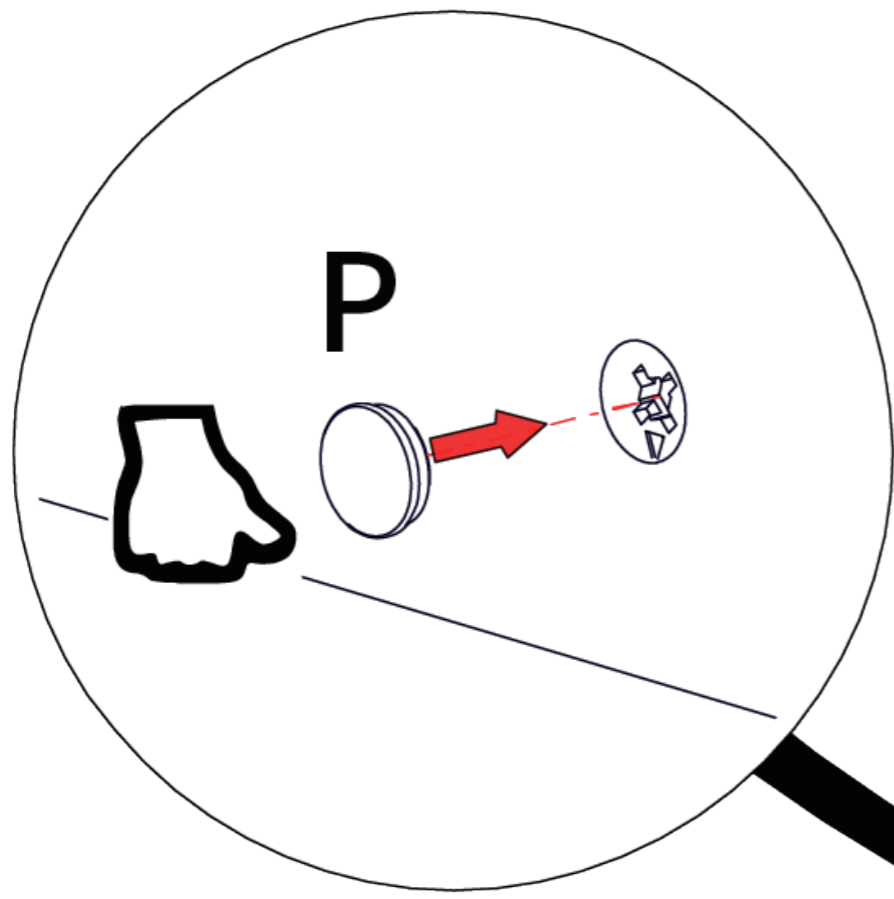
**E*8**

Short screw

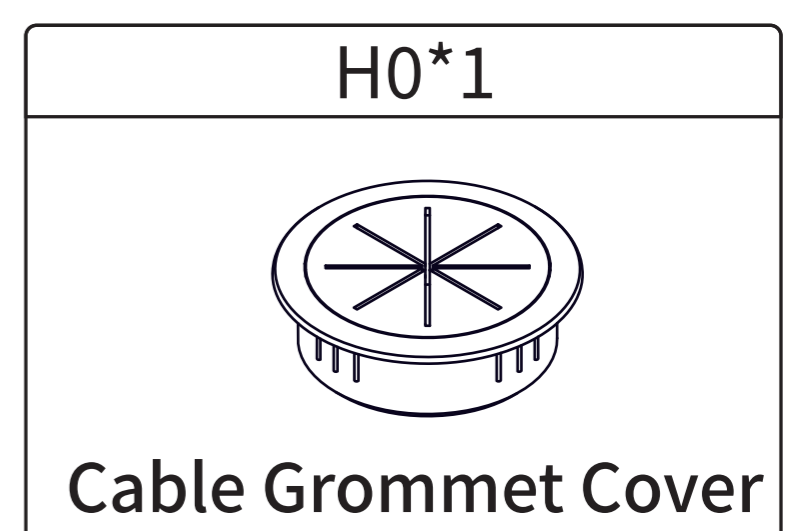
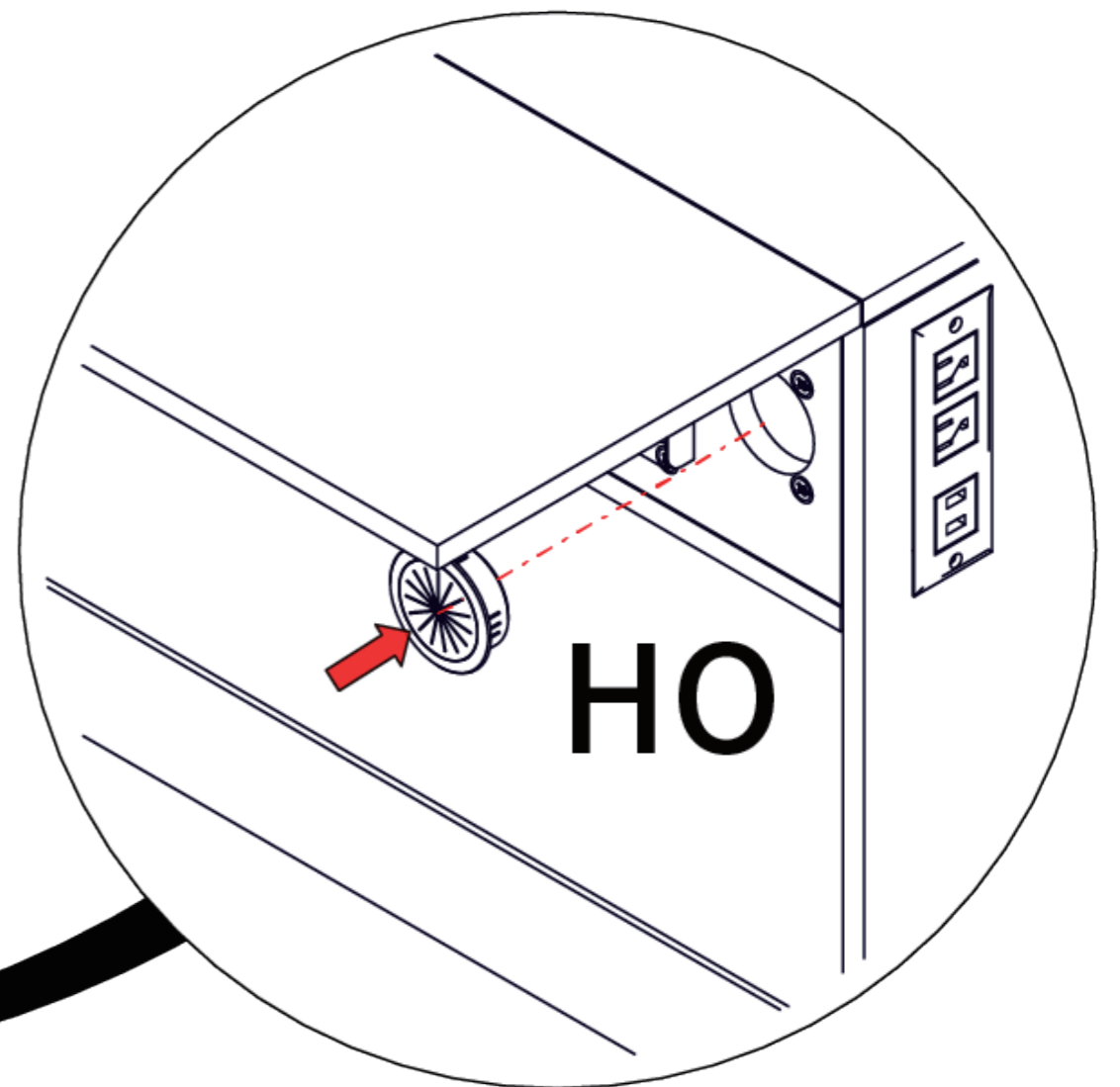
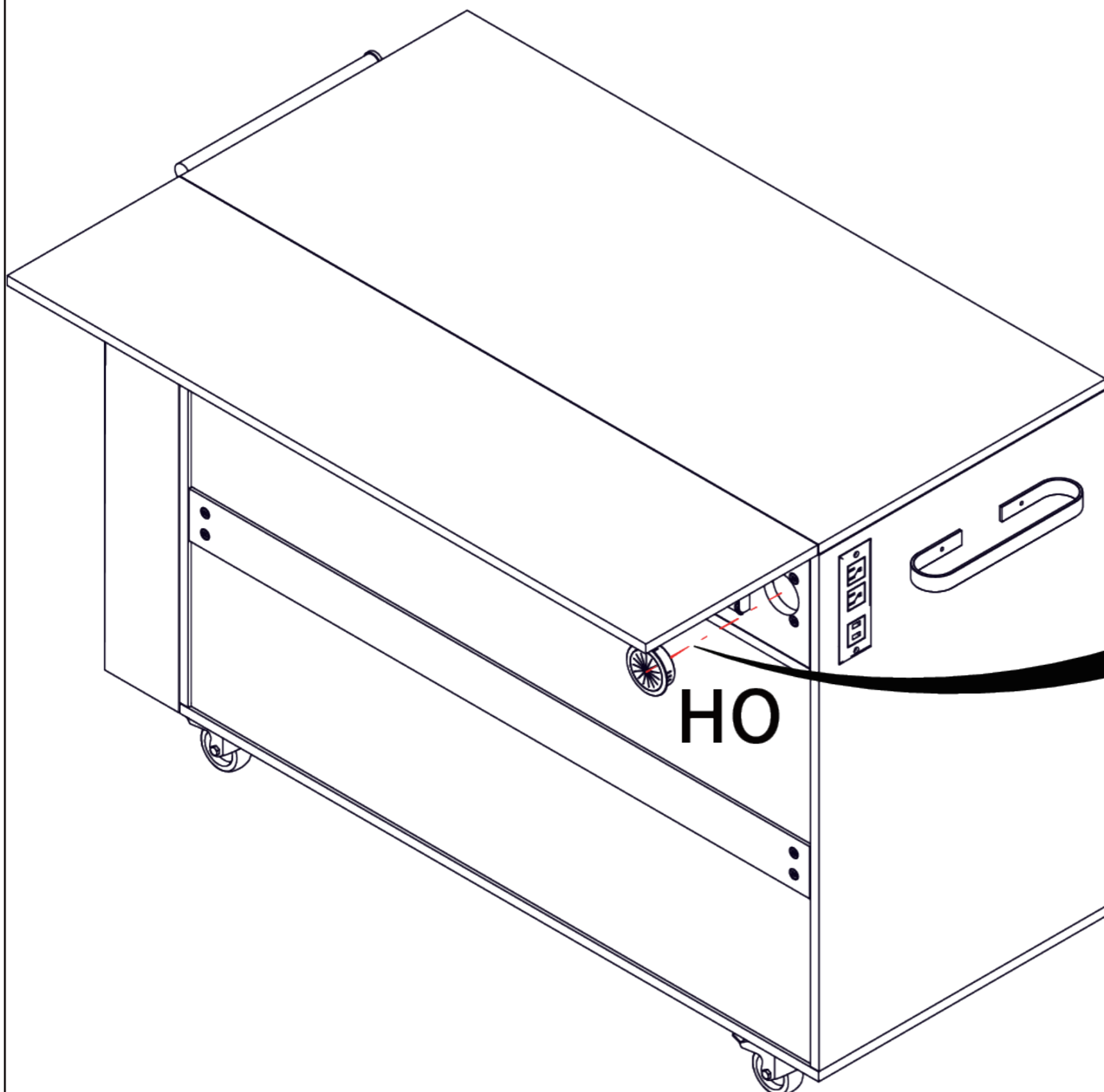
K*8

Back panel fastener

60 As shown in the illustration, attach the cover caps (P) onto the Cam wheels (A) on the cabinet.

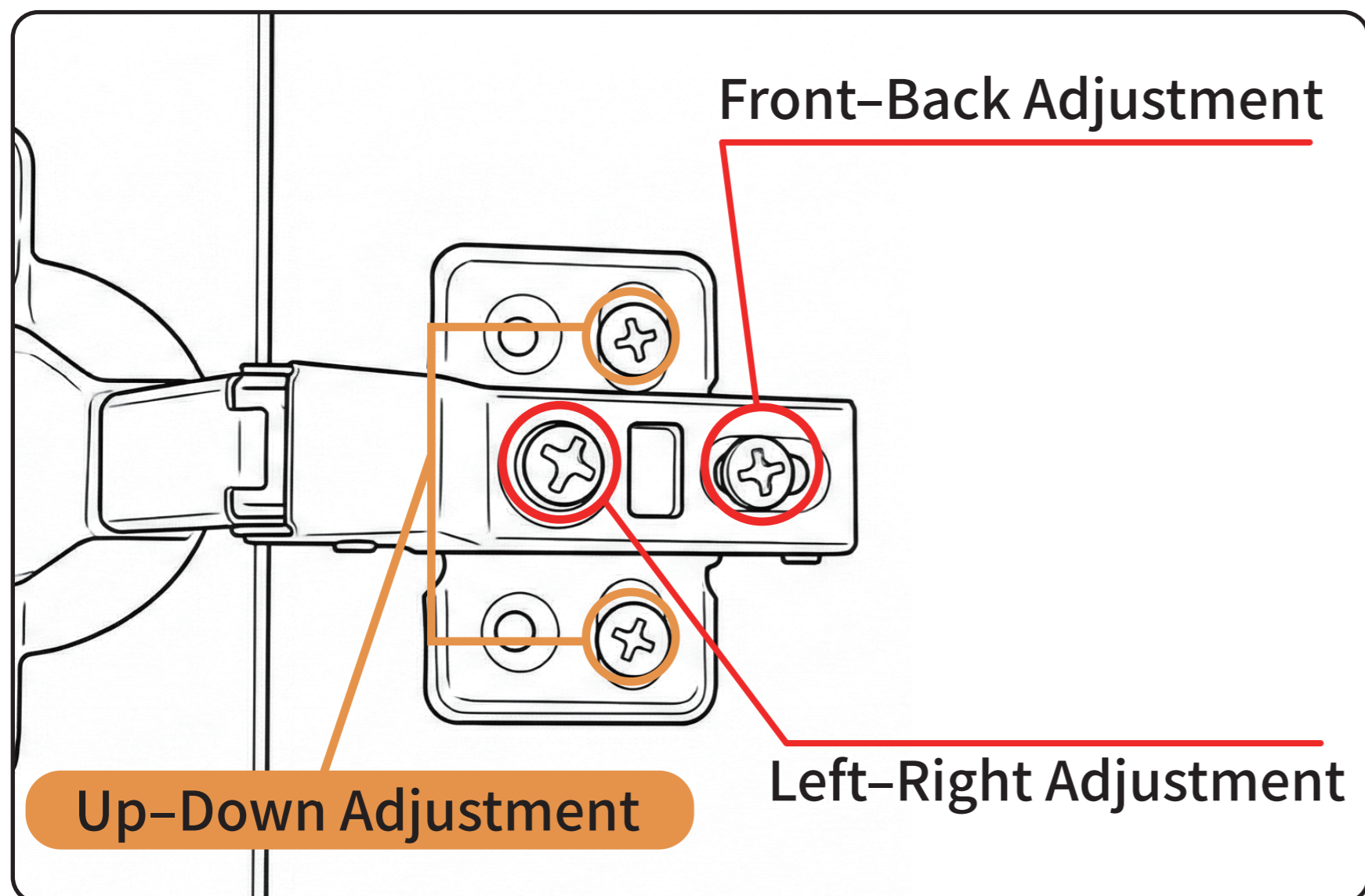


61 As shown in the illustration, install the Cable Grommet Cover (H0) into the hole on the back panel.

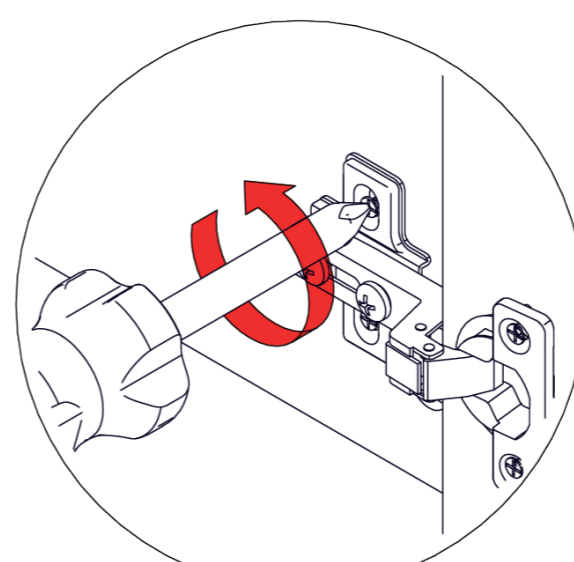


Hinge Adjustment Instructions

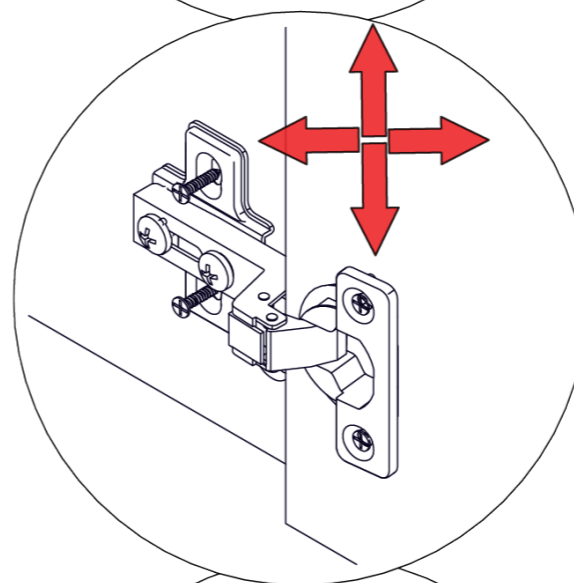
If any misalignment occurs after installation, adjust the screws to achieve the best position.



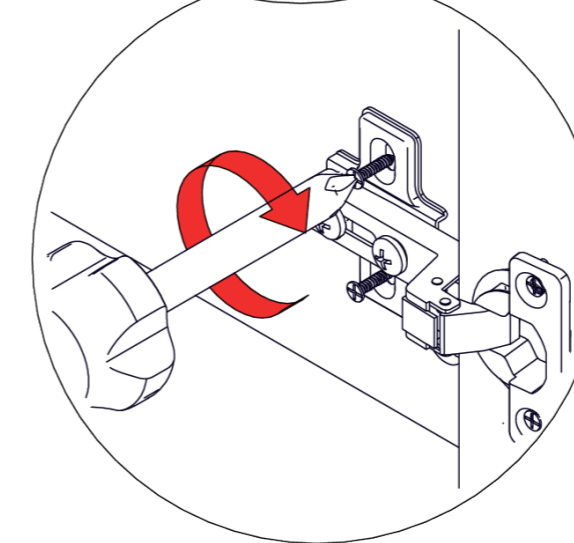
You can simply adjust the screws to change the overlay of the door panel relative to the side panel.



1. Loosen the fixing screw.



2. Adjust the corresponding screw position as needed.



3. After adjustment, tighten the short screw to secure it.

After-sales service

⚠ If you have any questions after receiving the product, please scan the QR code immediately to contact us so we can help you resolve the issue.

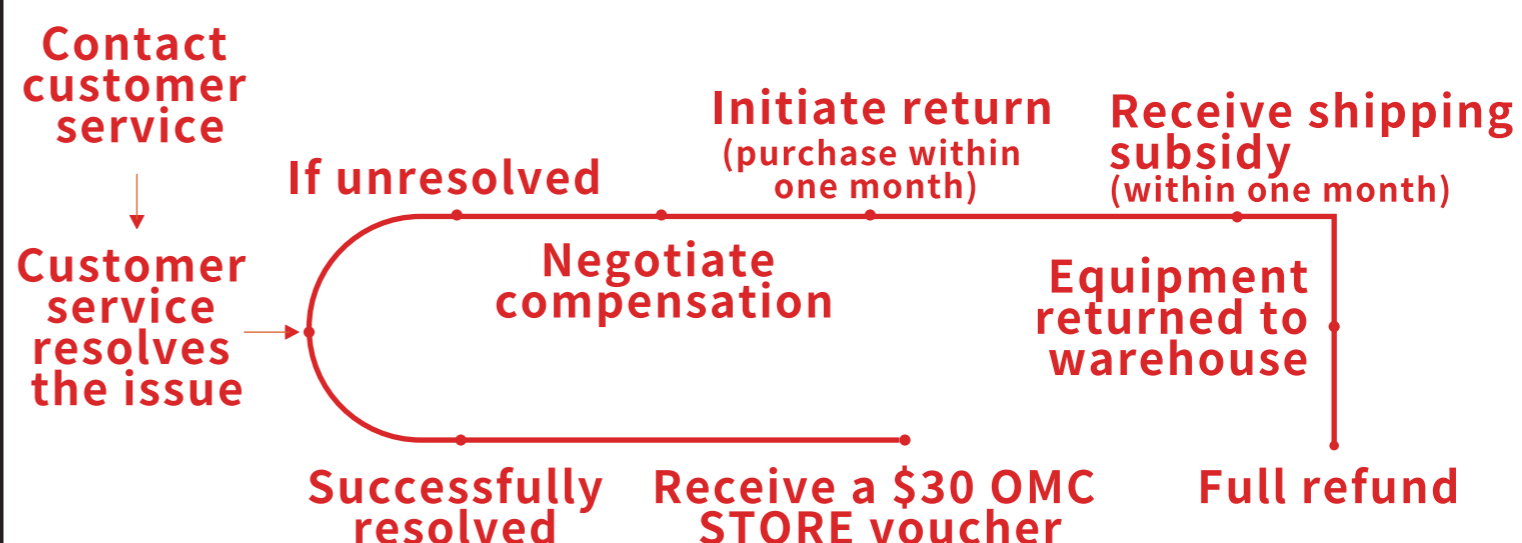


After-sales QR code

✉ Email: cs-omc@outlook.com

📞 WhatsApp: +86 18688756013

Return Guidelines

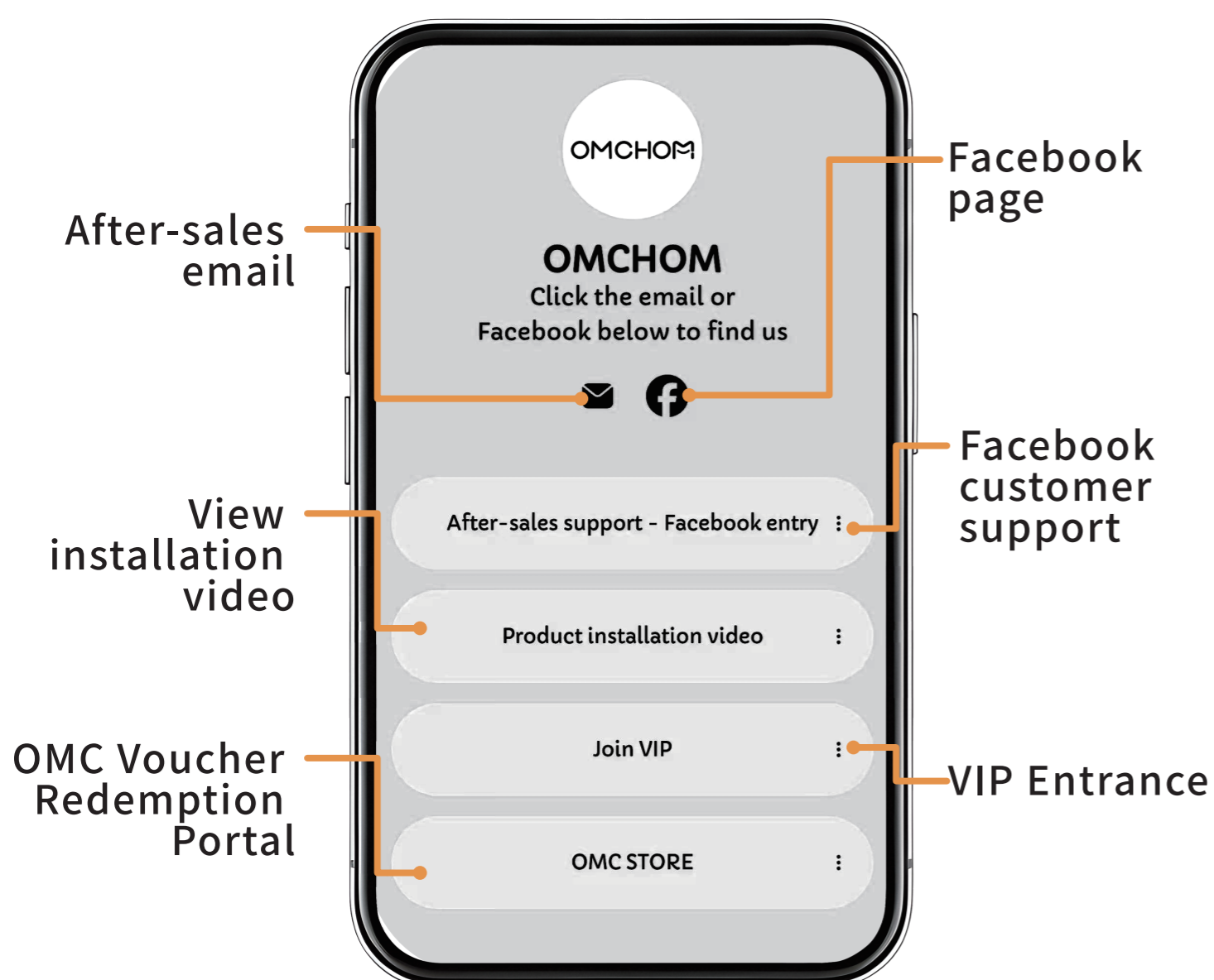


Return and Warranty Policy

1. If any parts are damaged or missing during installation, please contact us for replacement.
2. If you encounter any product problems during use, please contact us immediately.

Important Reminders:

1. Please be sure to keep the original product packaging for at least 30 days.
2. If you need to return the item, please disassemble all the accessories completely and send us photos for confirmation.
3. After taking photos, please pack all accessories completely and return them. You must contact us before returning the items.






Global Operator for Brand Expansion



OMCHOM
After-sales QR code

 **Email: cs-omc@outlook.com**

 **WhatsApp: +86 18688756013**