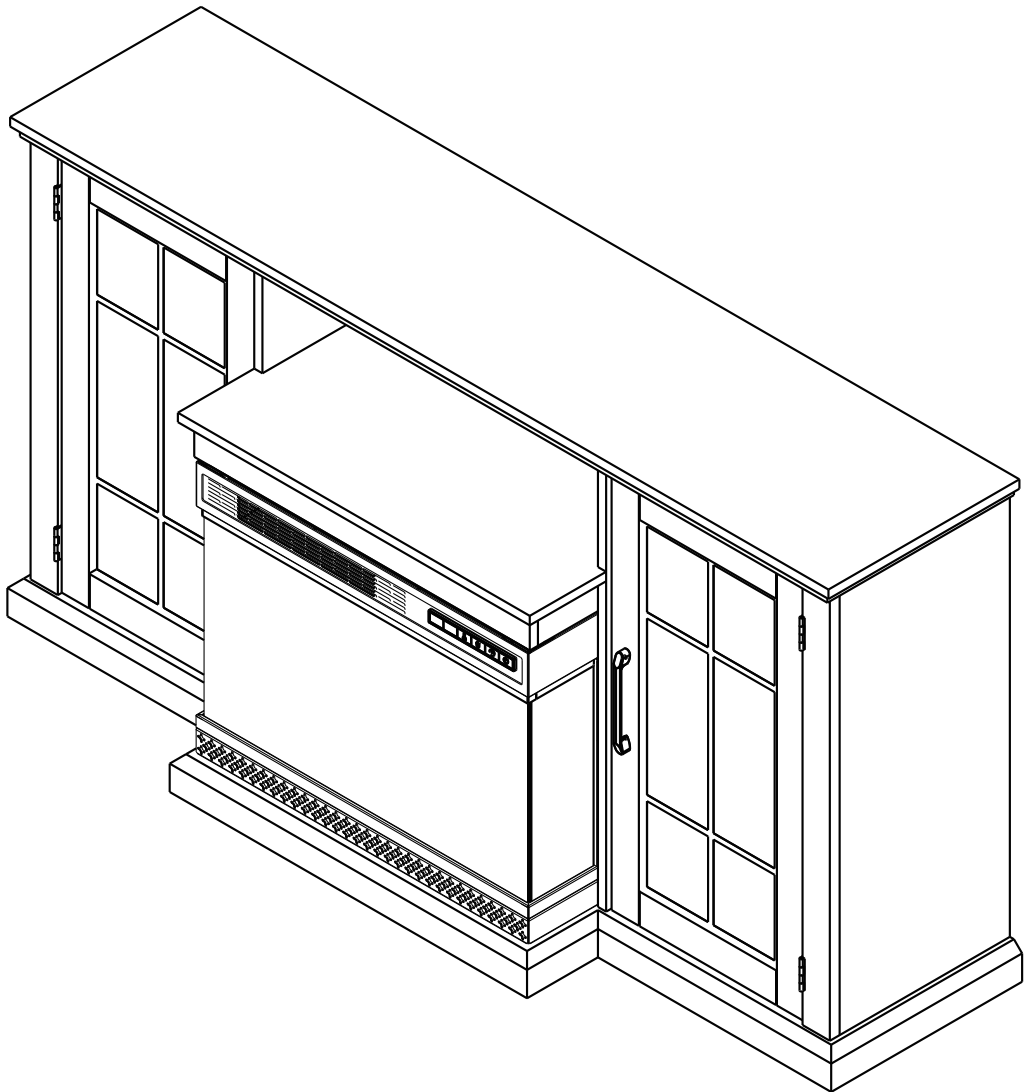
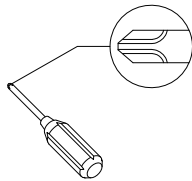


Instruction Manual

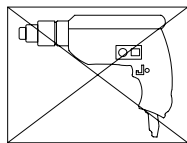


General Assembly Guidelines

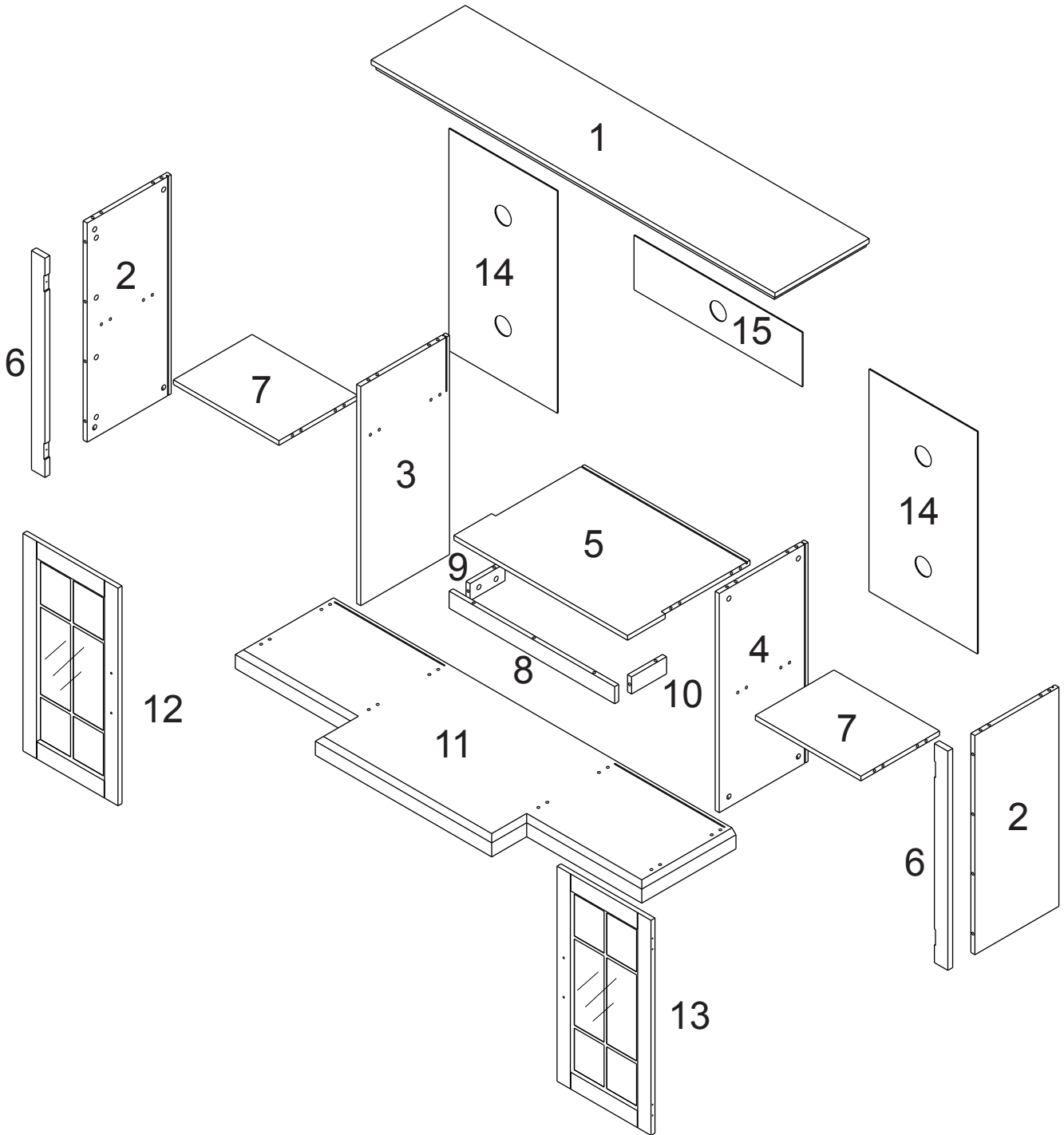
- I. Ensure that all parts and hardware are available before beginning assembly.
- II. Follow each step carefully to ensure the proper assembly of this product.
- III. Two people are recommended for ease in the assembly of this product.
- IV. The four main types of hardware used to assemble this product are: wood dowels, cam bolts and locks, bolts and screws.
- VI. A Phillips head screwdriver is required for the assembly of this product.



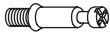


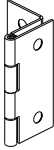
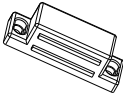




- VII. Power tools should not be used to assemble this product.








Partes List



Hardware List

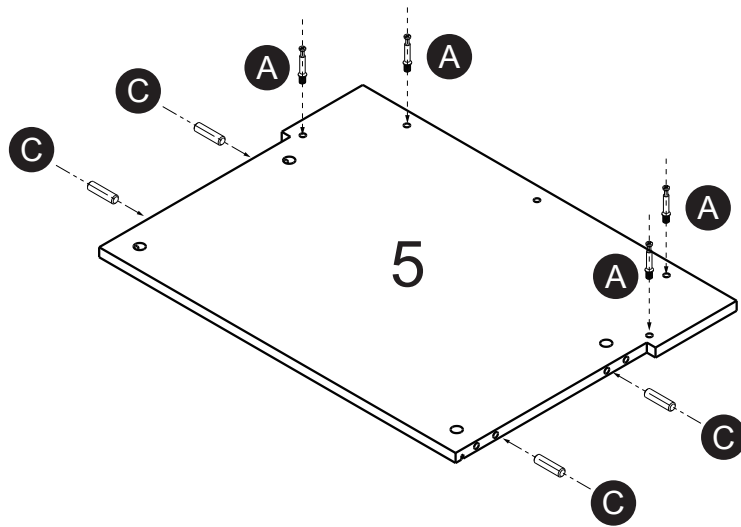
A			Cam lock	42 PCS
B			Cam bolt	42 PCS
C		Ø8x40mm	Wood dowel	29 PCS
D				4 PCS
E				2 PCS
F				2 PCS
G		Ø4x16mm	Medium screw	24PCS
H		Ø 3x25mm	Bolt	4 PCS
L			Handle	2 PCS

Wall mounting kit

PART #	IMAGE	DESCRIPTION	QTY.
AA		Mounting bracket	2
AB		Anchor	2
AC		Nylon strap	1
AD		Flat head screw, Ø4 x 15 mm	2
AE		Flat head screw, Ø4 x 30 mm	2

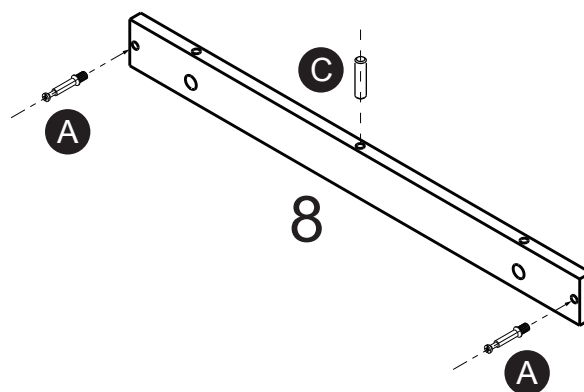
*The hardware quantities listed above are required for proper assembly.
Some extra hardware may also have been included.*

STEP 1



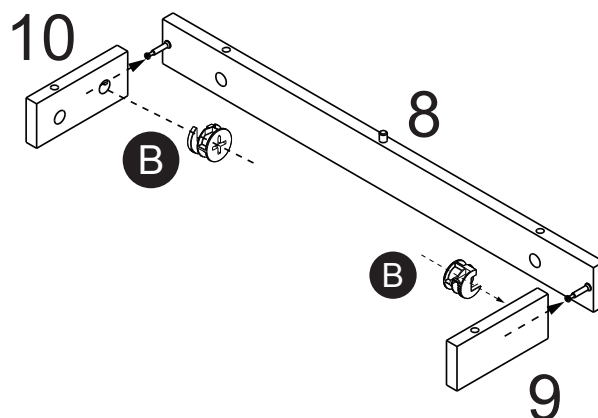
Attach male cam lock(A) and insert wood dowel(C) into part 5.

STEP 2



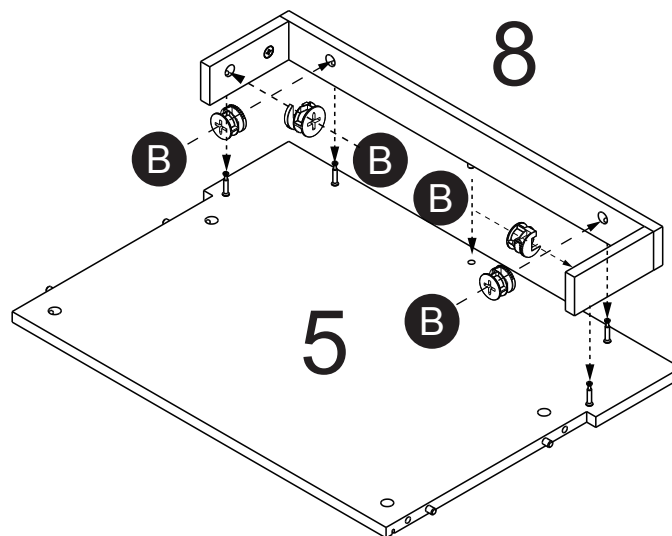
Attach male cam lock(A) and insert wood dowel(C) into part 8.

STEP 3



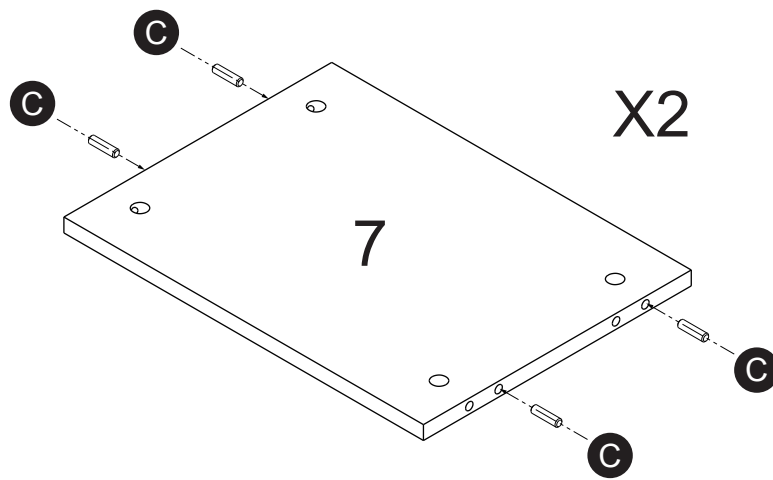
Attach part 9,10 to part 8, then insert and secure female cam lock(B) to part 9,10 to lock it.

STEP 4



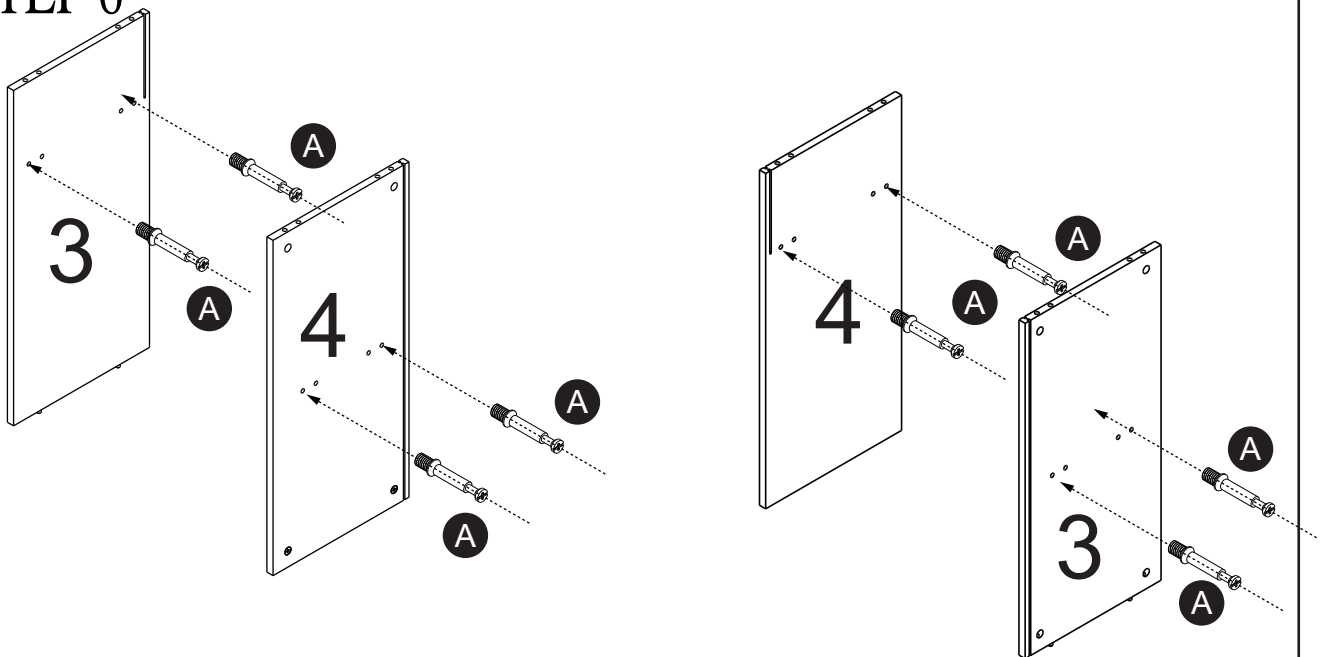
Attach part 5 to part 8,9,10 , then insert and secure female cam lock(B) to part 8,9,10 to lock it.

STEP 5



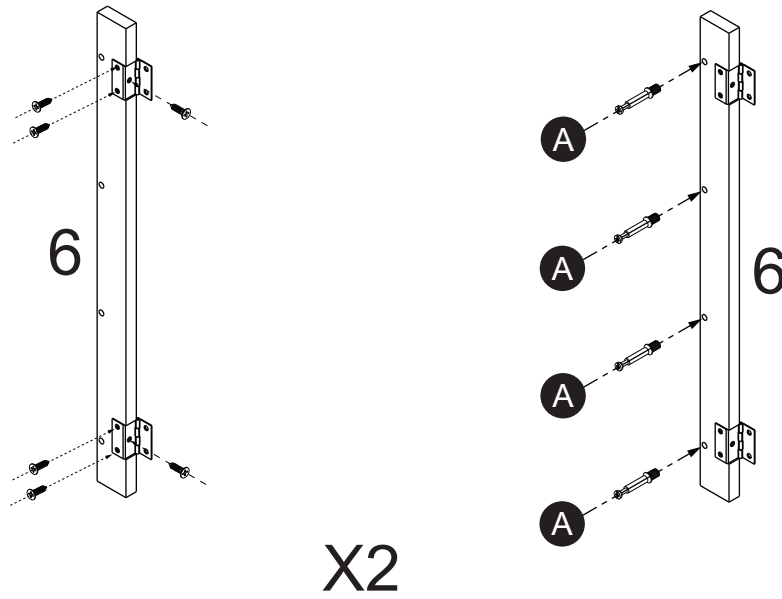
Insert wood dowel(C) into part 7.

STEP 6



Attach male cam lock(A) into part 3,4.

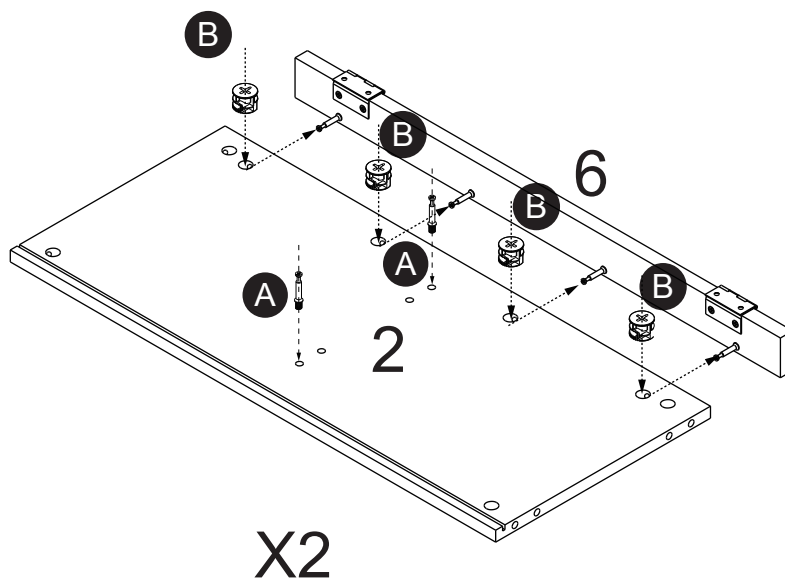
STEP 7



Attach hardware (D) to part 6 using screw(G) with a screwdriver.

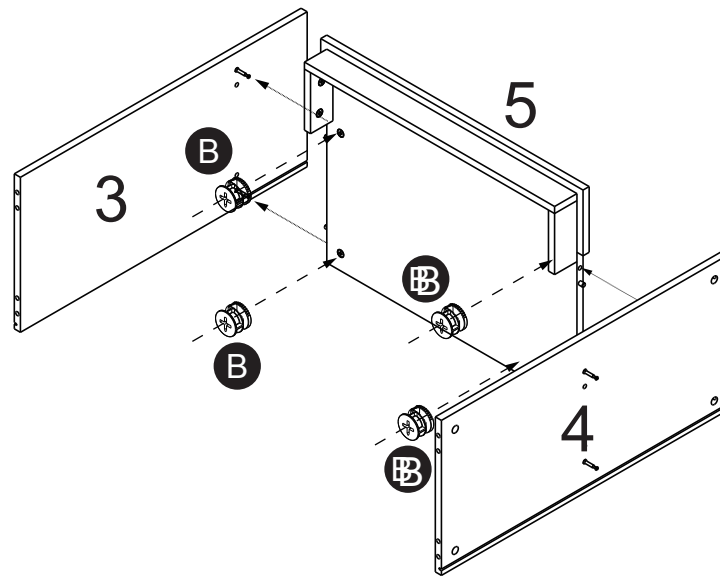
Attach male cam lock(A) into part 6.

STEP 8



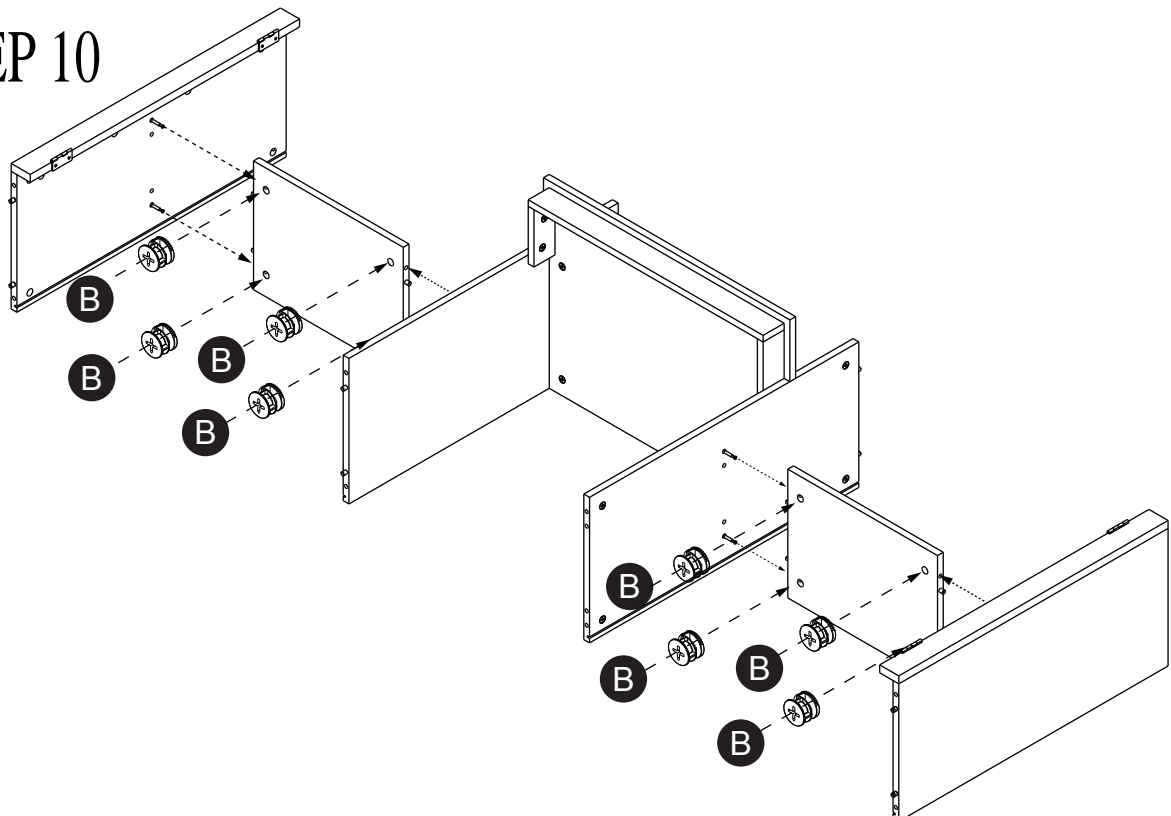
Attach part 2 to part 6, then insert and secure female cam lock(B) to part 2 to lock it.

STEP 9



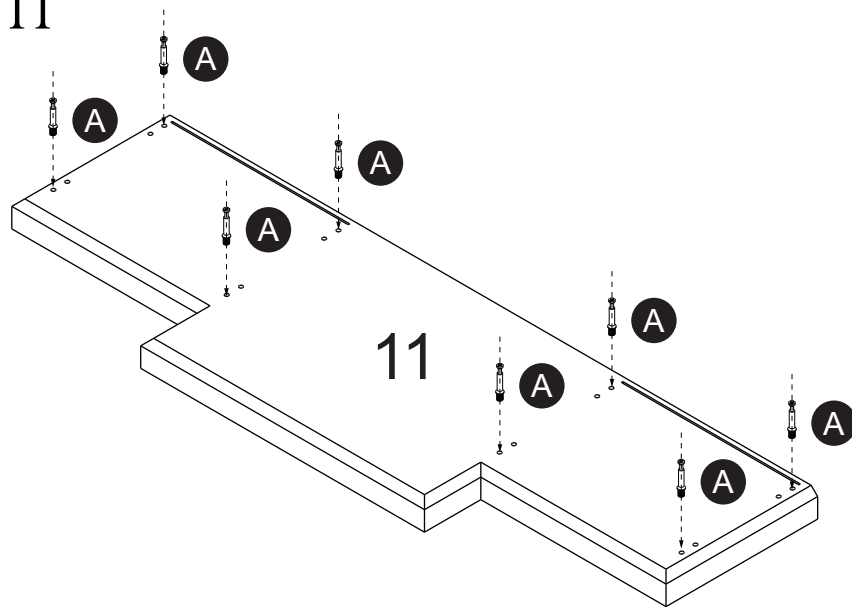
Attach part 3,4 to part 5, then insert and secure female cam lock(B) to part 5 to lock it.

STEP 10



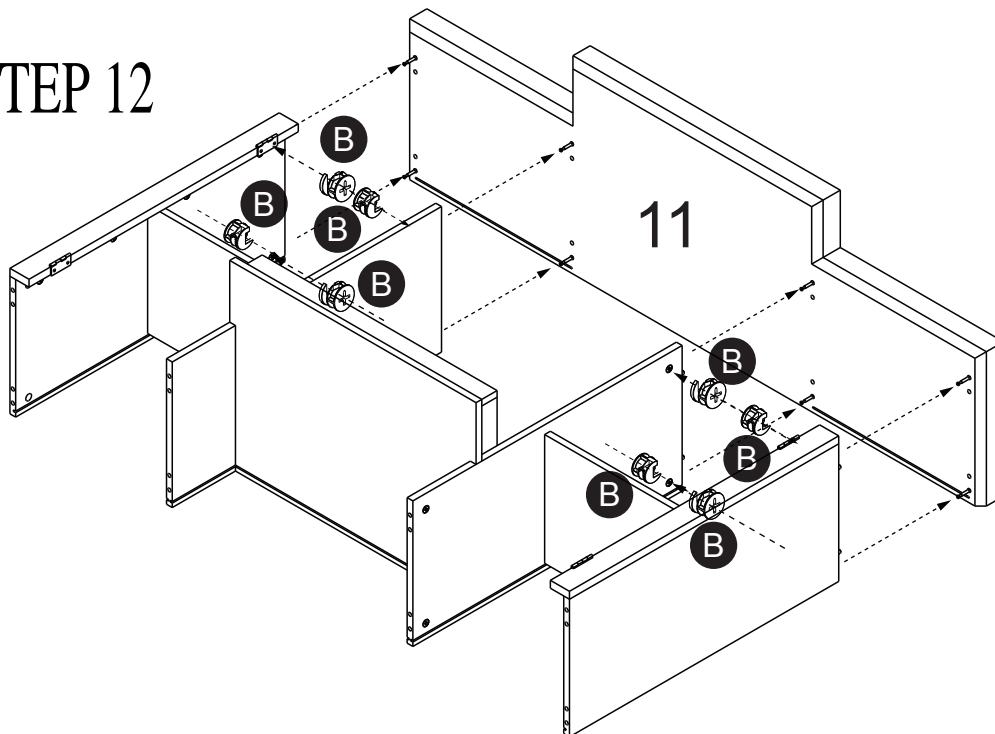
Attach part 7 to part 2,3,4 then insert and secure female cam lock(B) to part 7 to lock it.

STEP 11



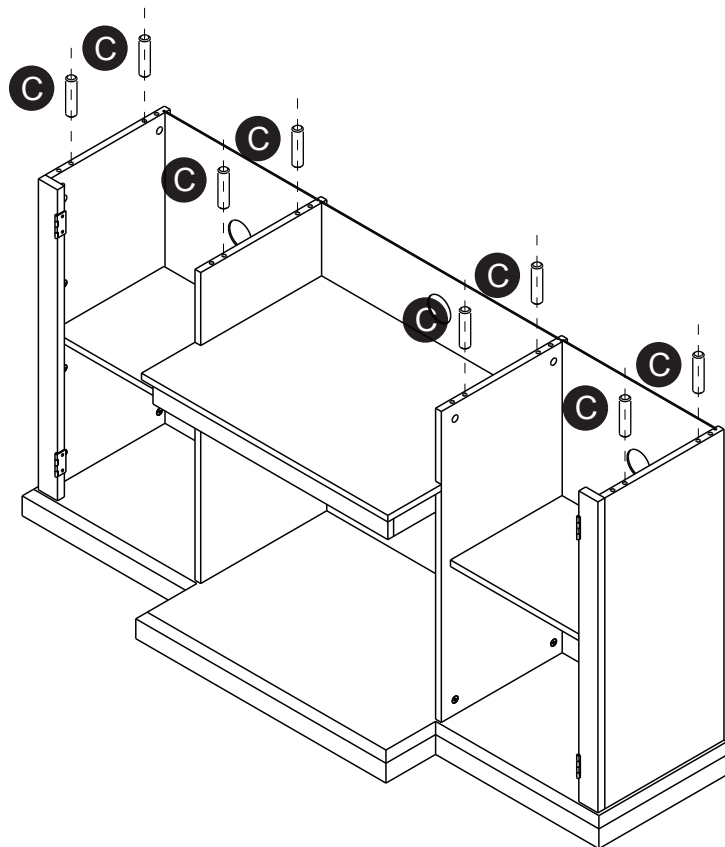
Attach male cam lock(A) into part 11.

STEP 12



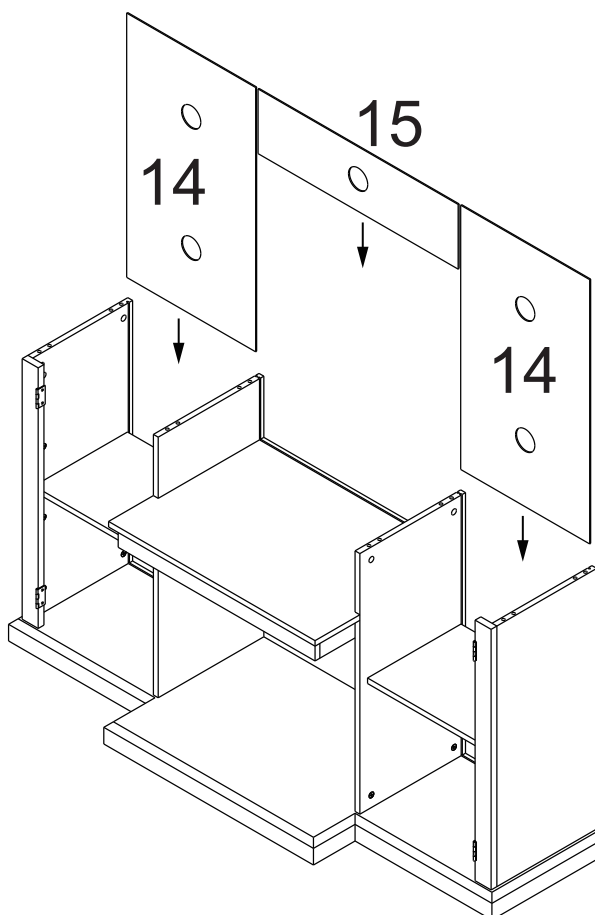
Attach part 11 to part 2,3,4 then insert and secure female cam lock(B) to part 2,3,4 to lock it.

STEP 13



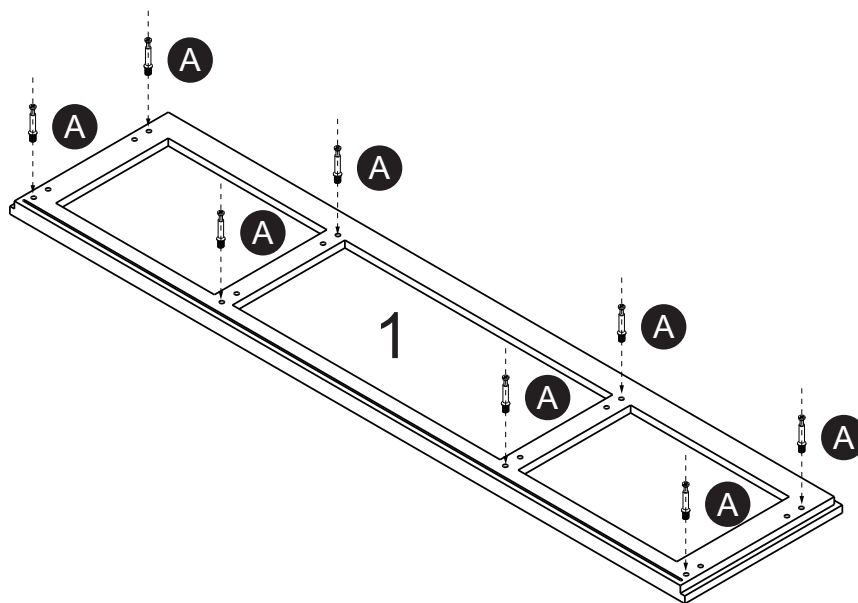
Insert wood dowel(C) into part 2,3,4.

STEP 14



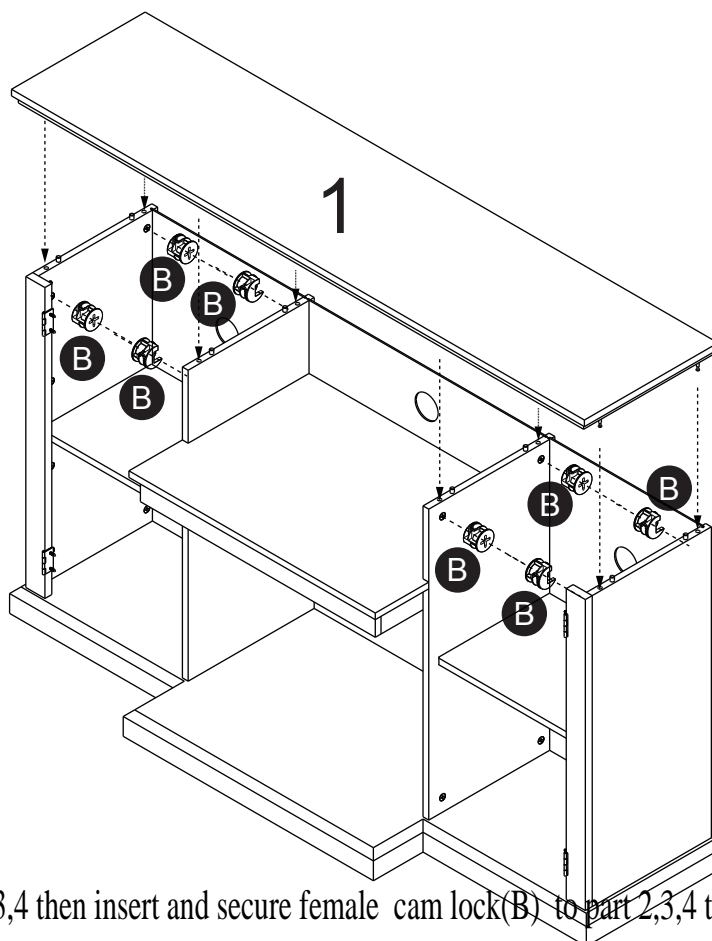
Insert part 14,15.

STEP 15



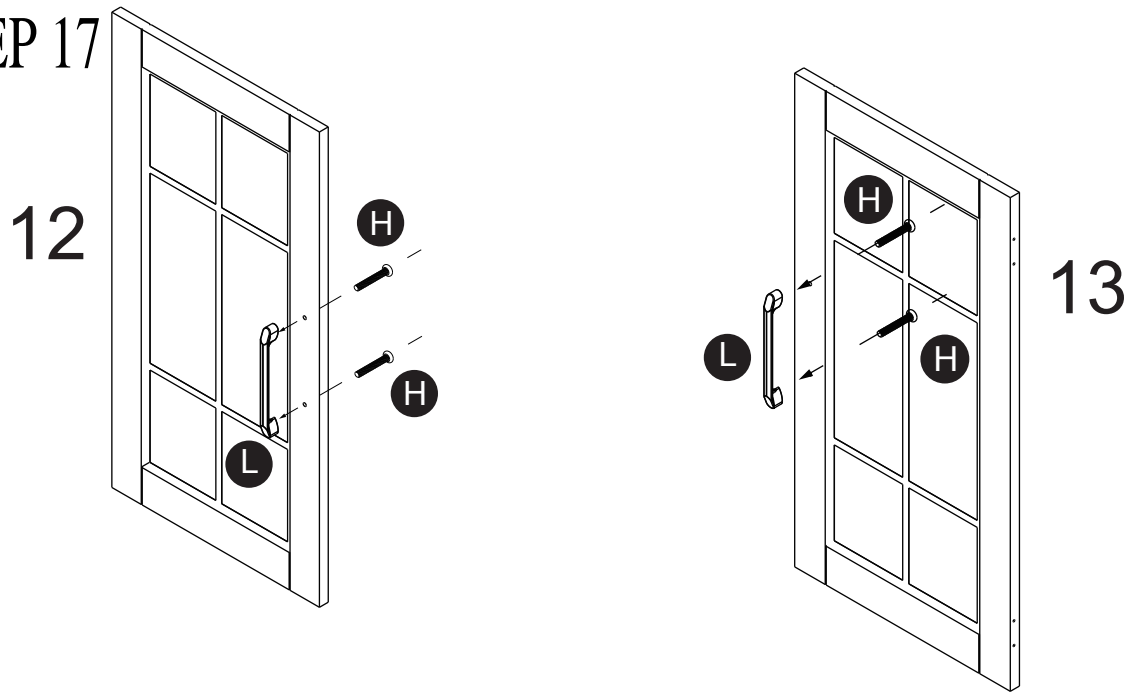
Attach male cam lock(A) into part 1.

STEP 16



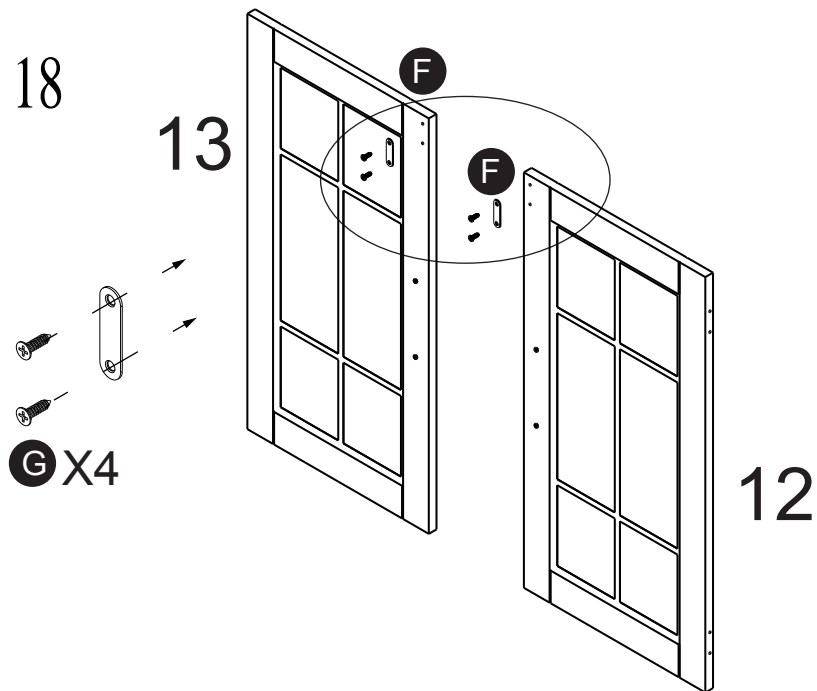
Attach part 1 to part 2,3,4 then insert and secure female cam lock(B) to part 2,3,4 to lock it.

STEP 17



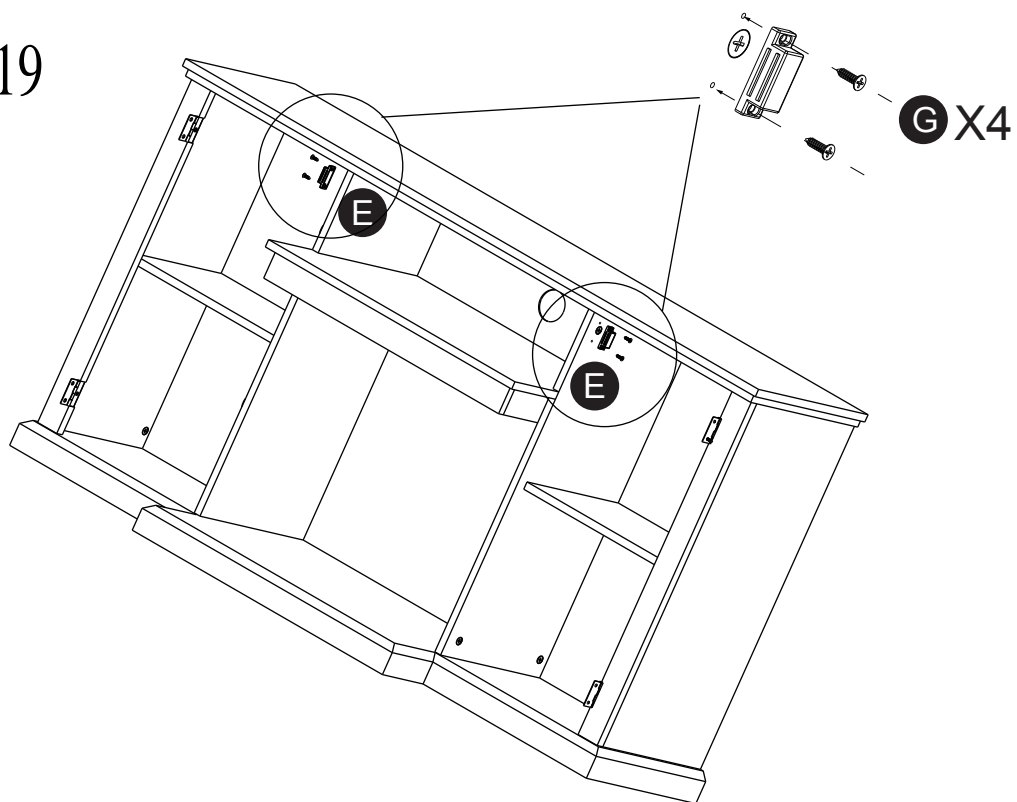
Attach handle(L) to part 12,13 using bolt(H).

STEP 18



Attach hardware (F) to part 12,13 using screw(G) with a screwdriver.

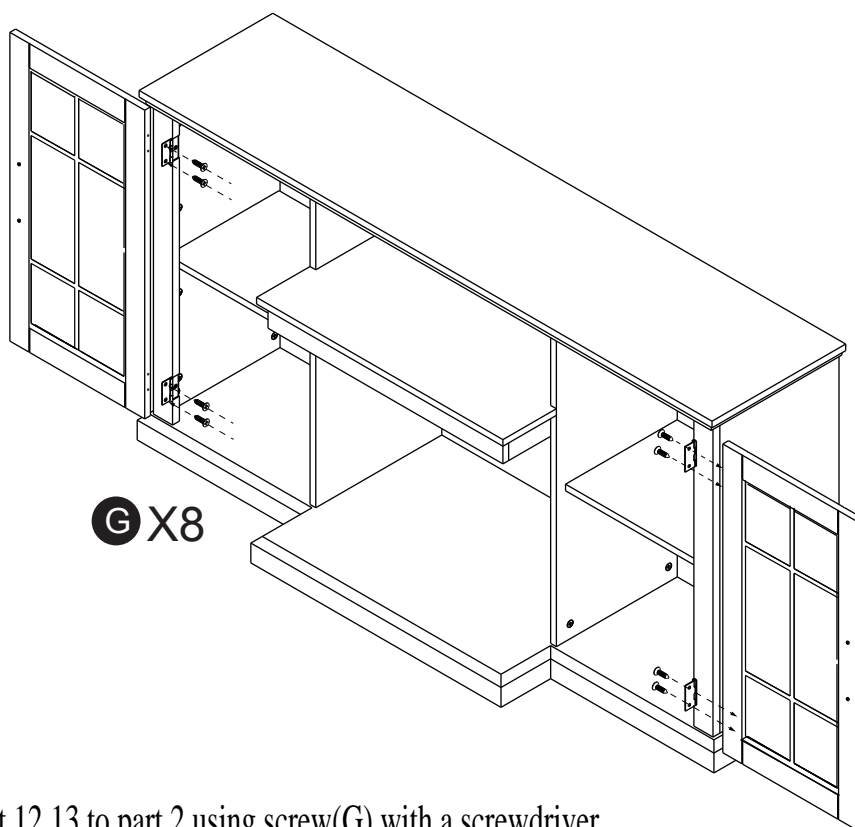
STEP 19



Attach hardware (E) to part 3,4 using screw(G) with a screwdriver.

STEP 20

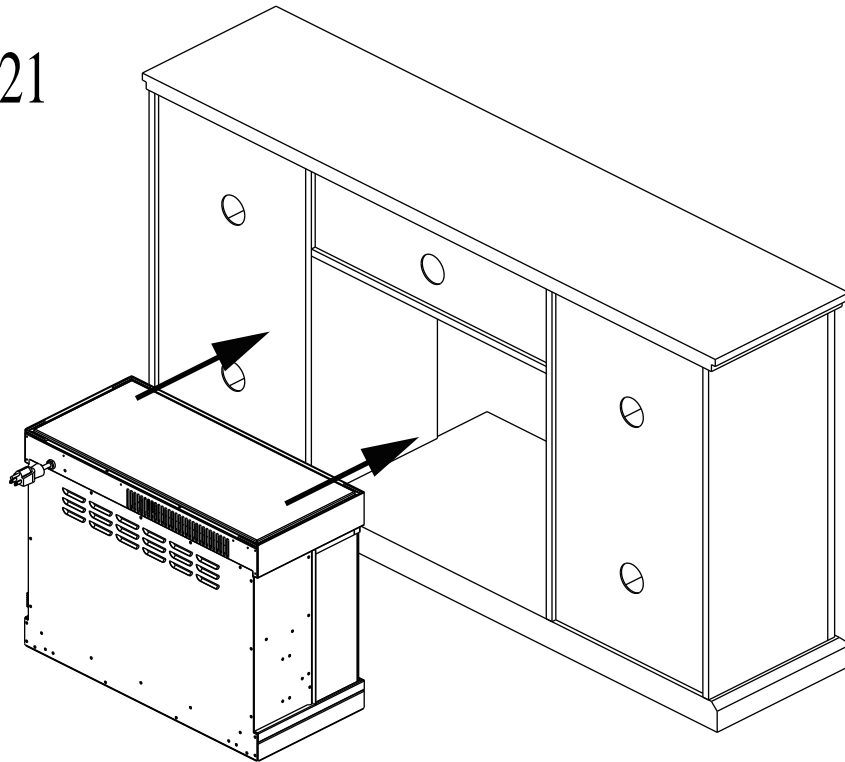
12



13

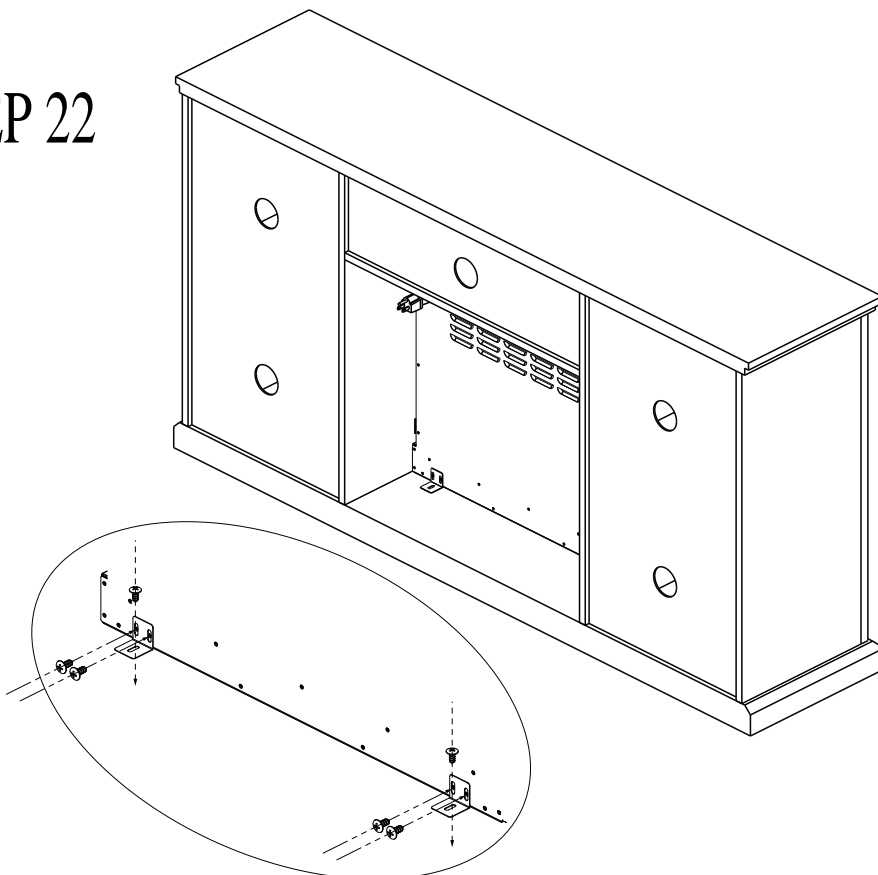
Attach part 12,13 to part 2 using screw(G) with a screwdriver.

STEP 21



Fix fireplace in the mantel using screws with a screwdriver..

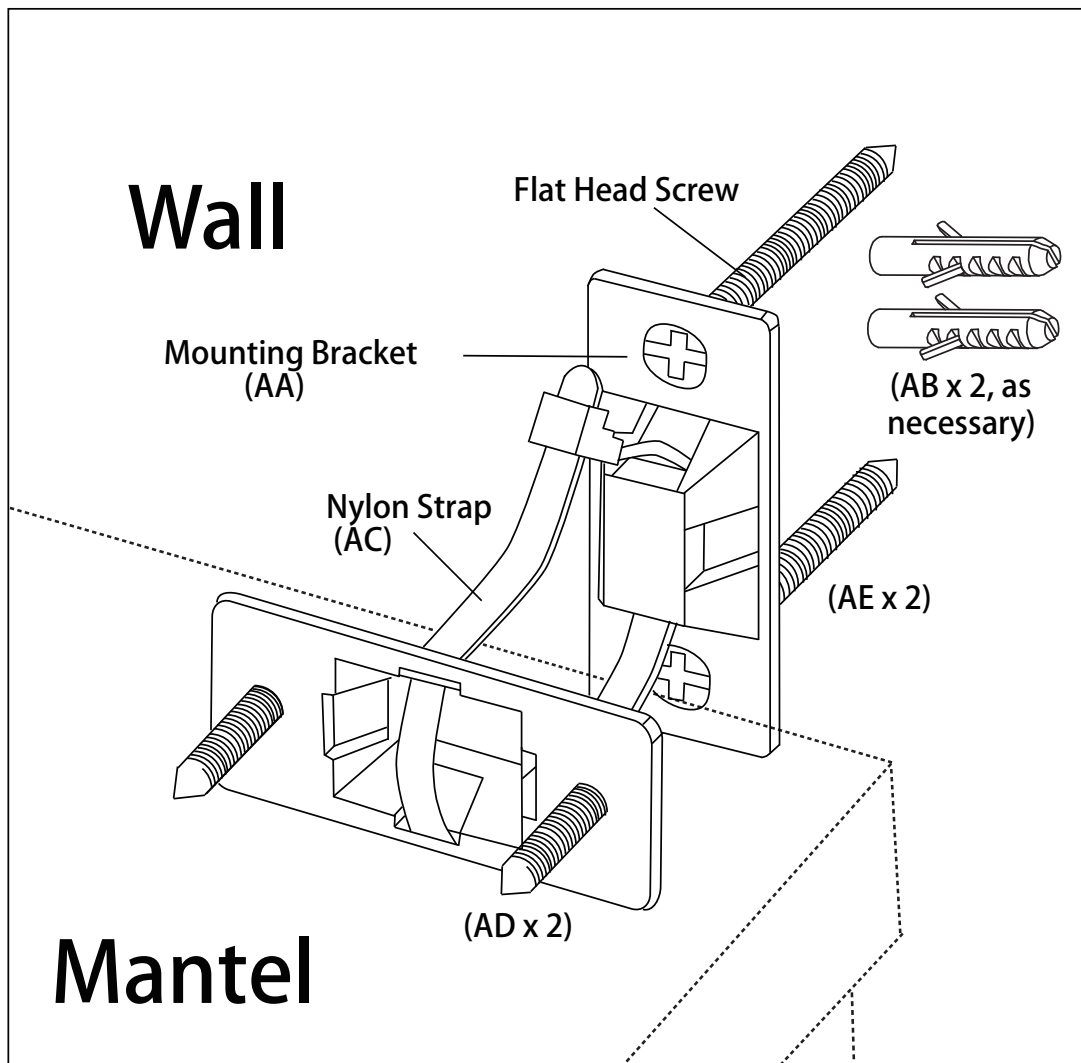
STEP 22



NOTE: These parts are in fireplace packing box

assembly

anchoring the media console



care and maintenance



- Do not use abrasive or chemical cleaners. Discolouring or damage to finish may result.

Clean media console with a non-abrasive cloth. Clean as often as necessary.

note:

Excessive sun exposure may cause discolouring or fading of media console finish.