

BED ASSEMBLY MANUAL

DETALE KONSTRUKCYJNE			OKUCIA		
LP	OPIS	ILOŚĆ	LP	OPIS	ILOŚĆ
A	Left board	1	1	Barrel screw M6x55	8
B	Right board	1	2	Barrel nut	8
C, E	Bedsides	2 + 1	3	Allen-key	1
D	Bed base	1	4	Screw 4.0x40	8
F	Guard rail	1	5	Wooden dowel 8/32	16
G	Holder of the guard rail	2	6	Wheels	6
H	Side elements	2	7	Screws for fastening the wheels 4.0x16	12
I	Drawer front	1	8	Confirmat screws	6
J	Drawer back	1	9	Wooden dowels	12
K	Middle element	1	10	Small nails	40

NOTE!

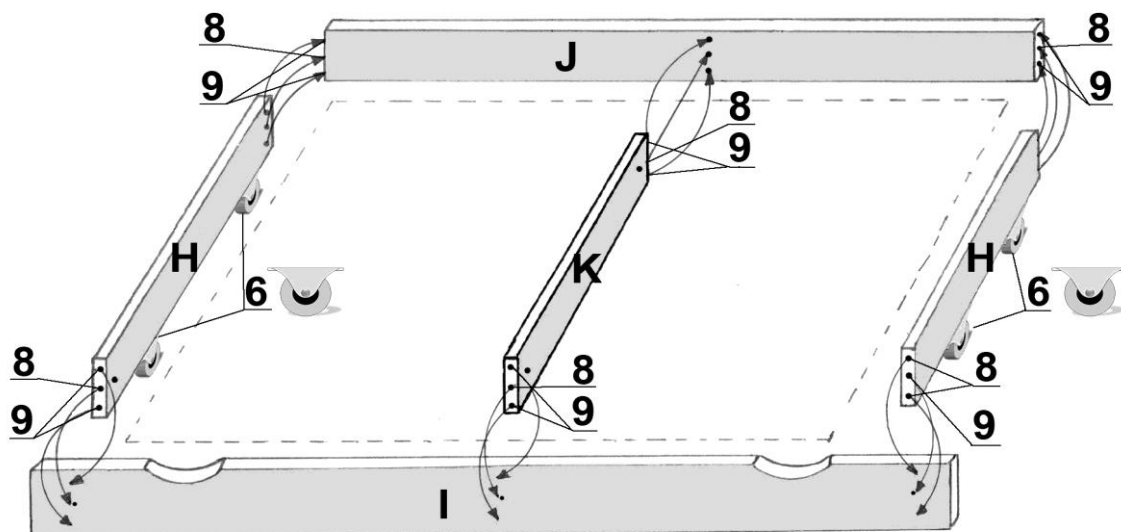
“In order to avoid the risk of child’s suffocation, remove the plastic packaging before use. Destroy the packaging or keep it out of reach of children and infants.”

Information about the

1. Two people should assemble the bed
2. Tools necessary for the assembly: hammer and flat-blade screwdriver
3. Compliant with EN 716/1999

Drawer assembly procedure:

1. Place the dowels (9) and screw elements H with the confirmat screws (8) and the middle element K with the drawer front I and back J.
2. Turn the structure, place the drawer base, and nail up around with the small nails (10) placing them 15 cm apart.
3. Attach the wheels (6) so that they do not protrude on the outside of the drawer at the distance of c. 50 mm on the front and back of the drawer.



Assembly procedure:

1. Assemble boards **A** and **B** with inserted dowels with bedsides **C** and **E**.
2. Screw the assembled boards and bedsides with the barrel screws (**1**) with the Allen-key (**3**) while holding the barrel nut (**2**) in the hole in such a manner that the screw-thread (**1**) is screwed in the a/m barrel nut.
3. Place the bed base **D** and fasten with the screws (**4**) to the bedsides **C**.
4. Insert the dowels (**5**) into the holders of the guard rail **G**, assemble with the guard rail **F** and screw with the barrel screws (**1**).
5. All the accessories must be well tightened.

