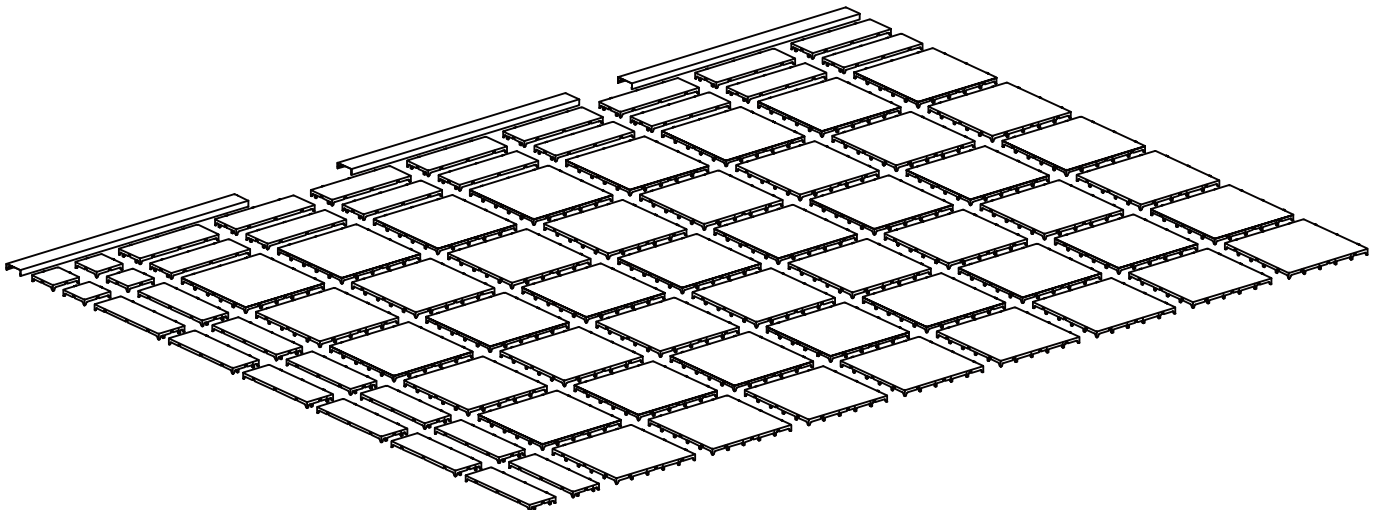


Plastic Floor For 8*10 Storage Shed

If you have any questions about the Plastic Floor, please feel free to contact us.

Customer Service Email: Service@alaulm.com



P25083-D1

IMPORTANT

PLEASE READ BEFORE YOU COMMENCE ASSEMBLY

Follow the guidelines in this user guide to ensure correct assembly and care for this product.

PART LIST

Parts List

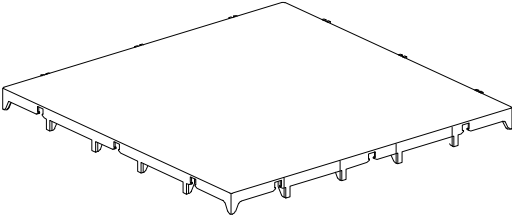
L001



927.4 mm Metal Frame

3PCS

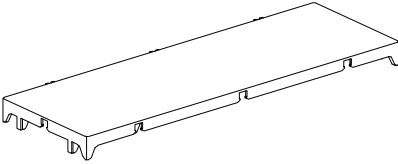
L002



321*321 Plastic Flooring

48PCS

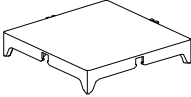
L003



321*107 Plastic Flooring

28PCS

L004



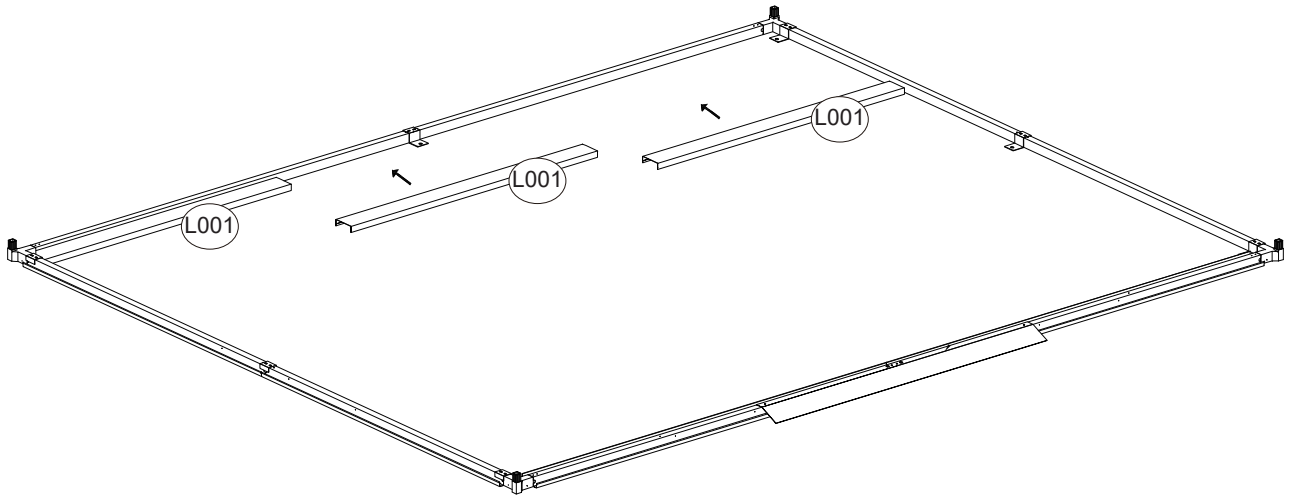
107*107 Plastic Flooring

4PCS

How To Assemble the Plastic Floor

Step 1: Place the metal frame (L001) flush against the long side of the storage shed's interior.

NOTE: Products for installing flooring do not require the installation of L025.



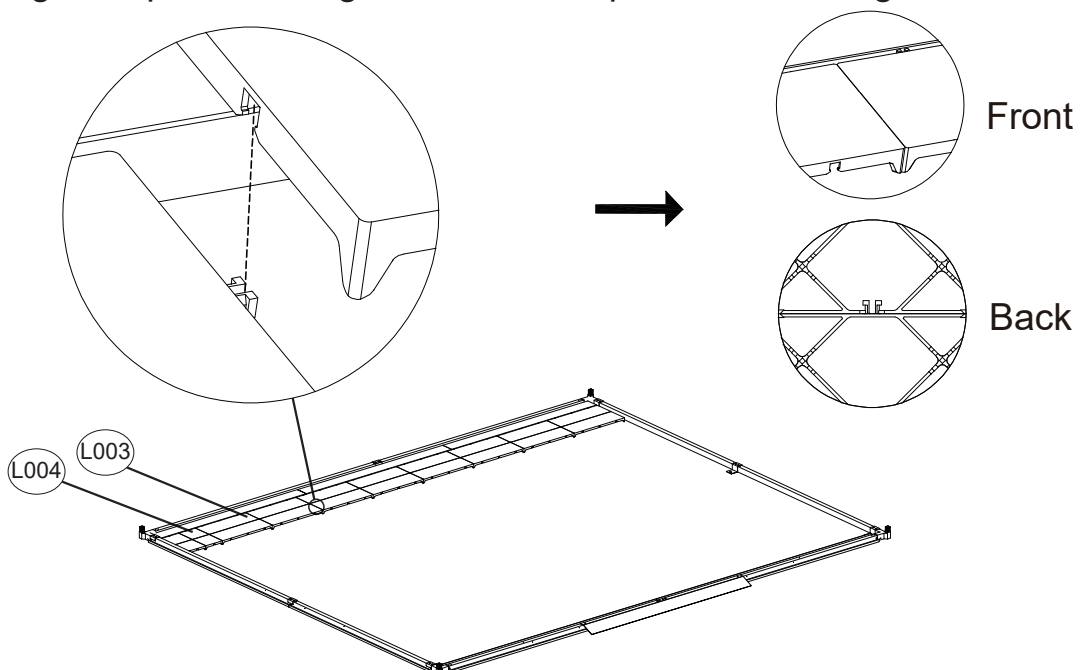
L001



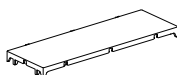
x3

Step 2: Arrange the plastic floor blocks L002 and L004 as shown in the picture and snap them to each other.

NOTE: Arrange the pieces along the innermost part of the storage shed.



L003



x16

L004

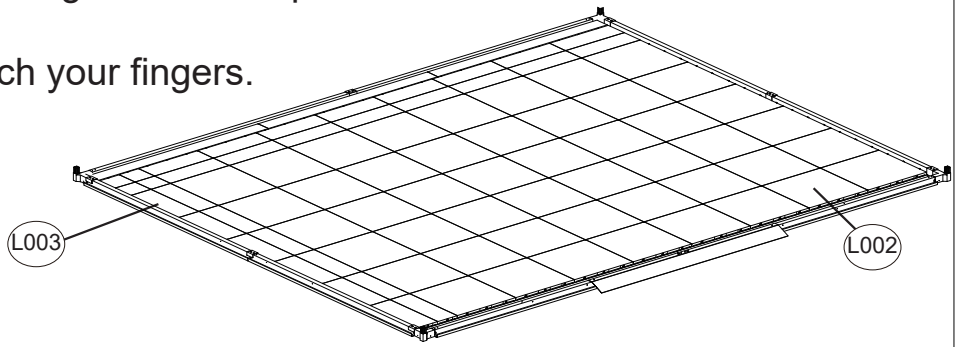


x4

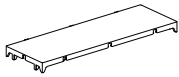
Installation steps

Step 3: Fill all voids in the storage shed' with plastic floor blocks L002 and L003 as shown in the figure.

NOTE: Be careful not to pinch your fingers.

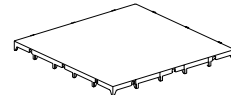


L003

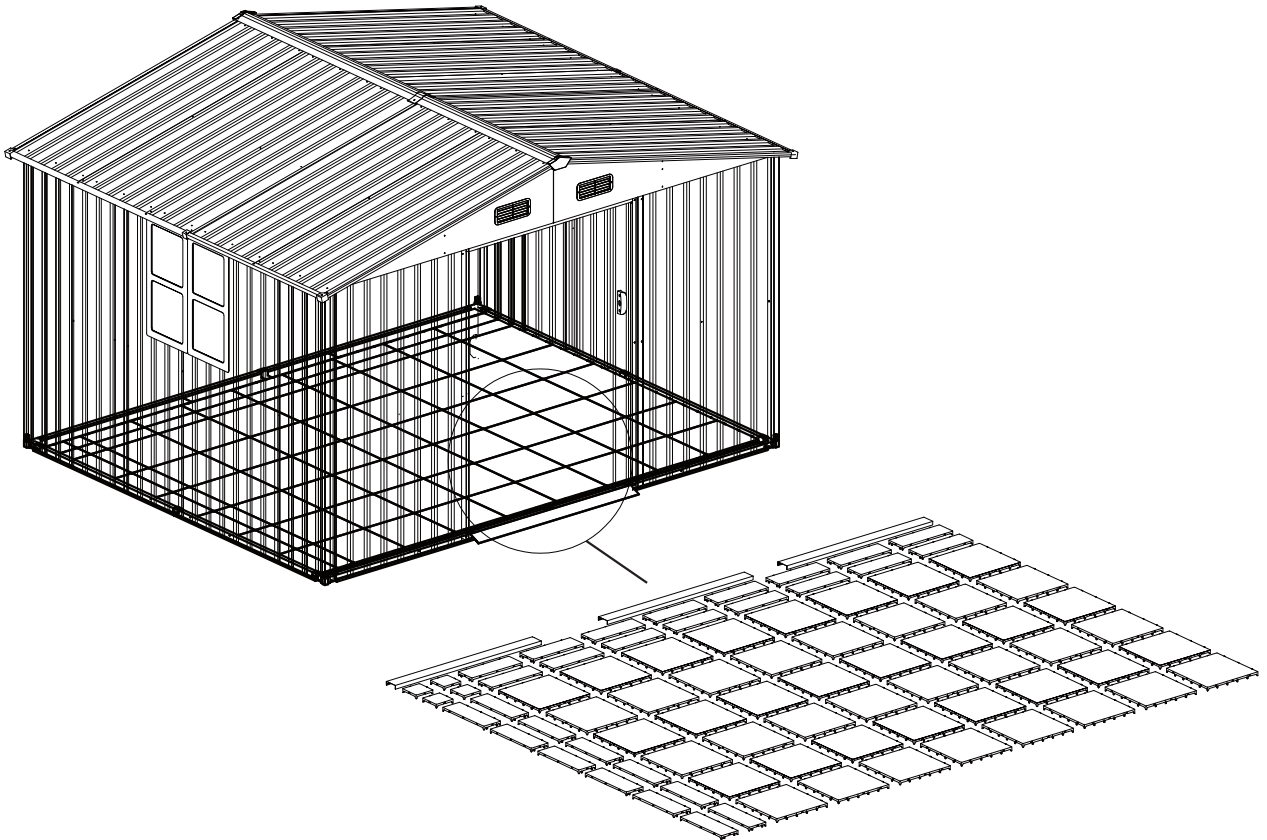


x12

L002



x48



www.alaulm.com

Make your life much better.