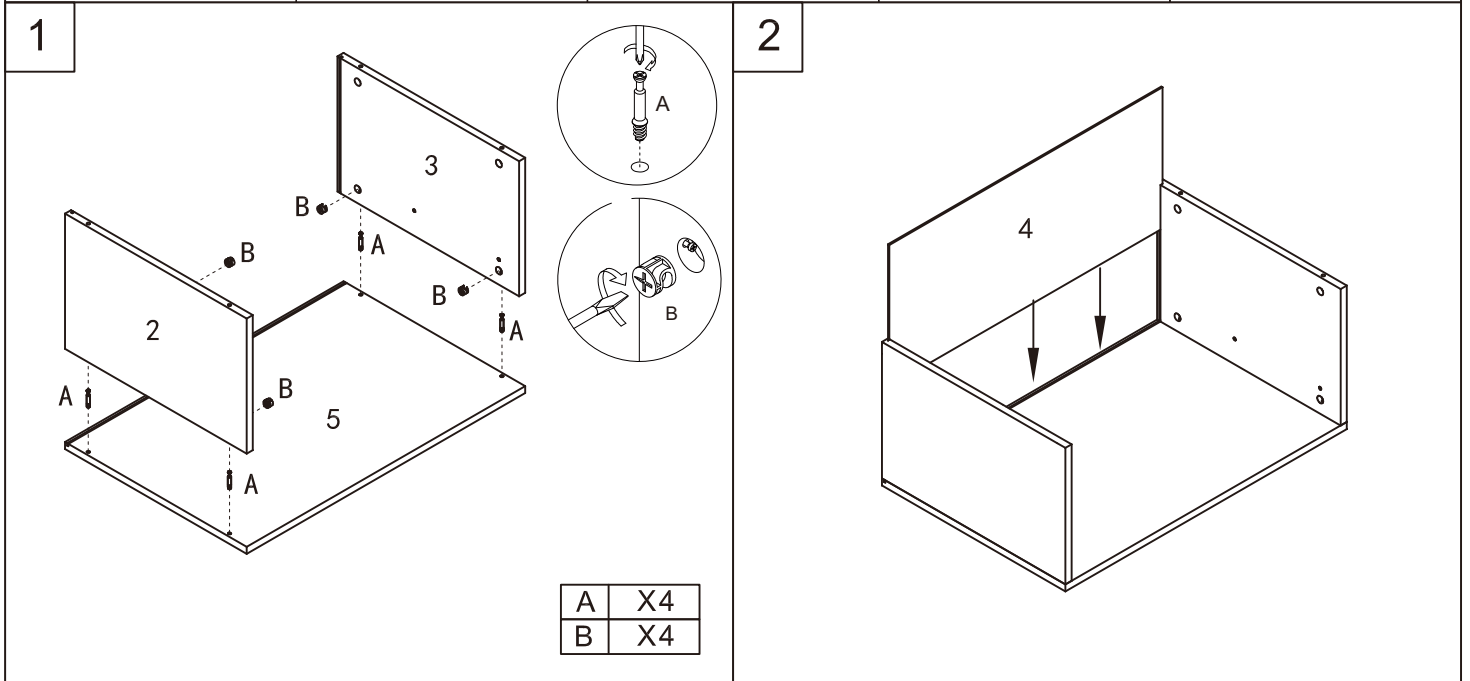
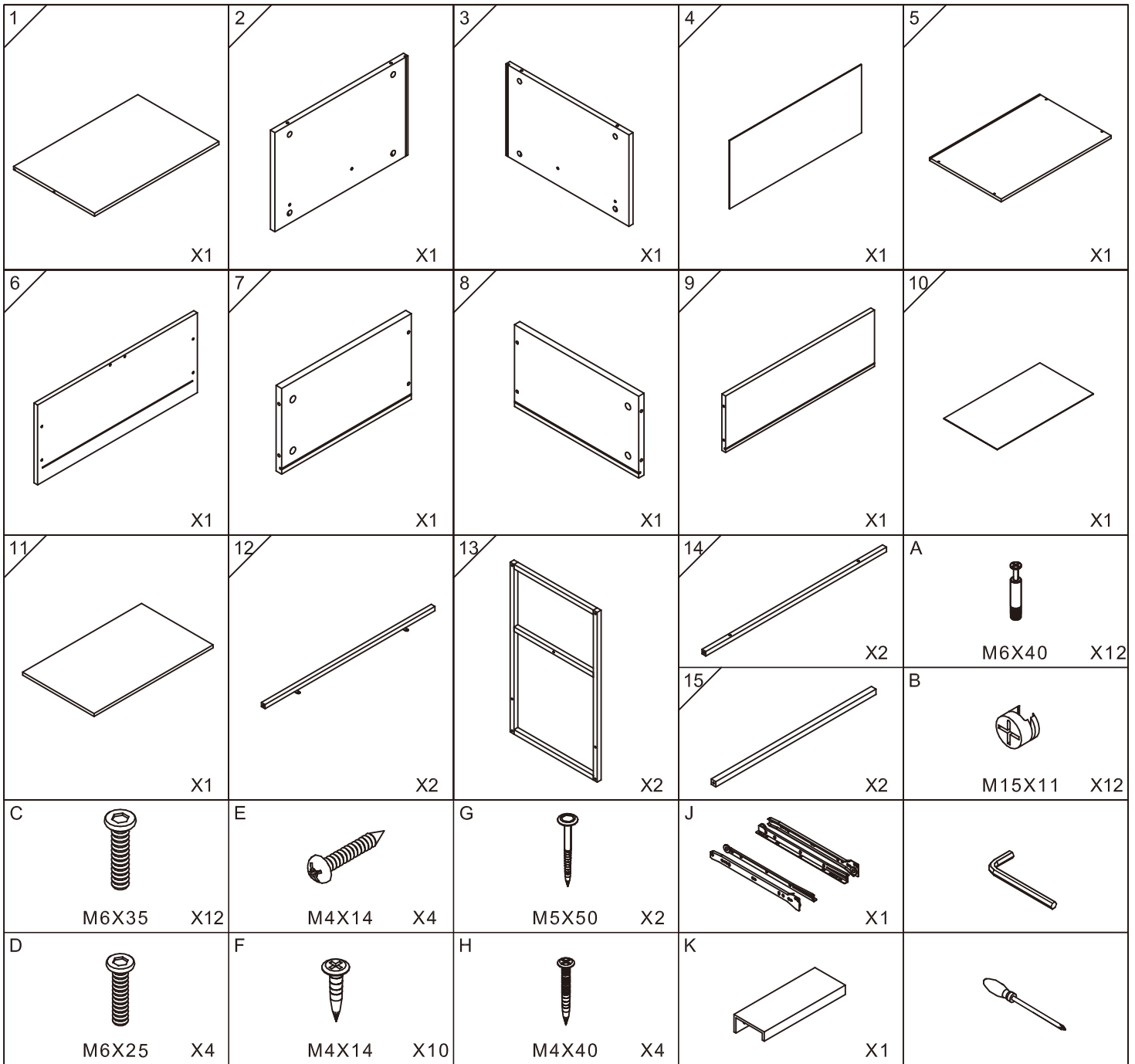


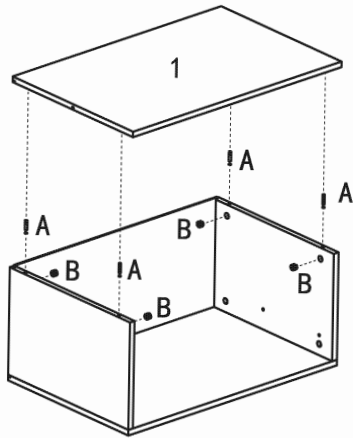
READ AND SAVE THIS INSTRUCTION FOR FUTURE USE

# ASSEMBLY INSTRUCTION

**Attention: Do not tighten the screws until all of them are in right positions**

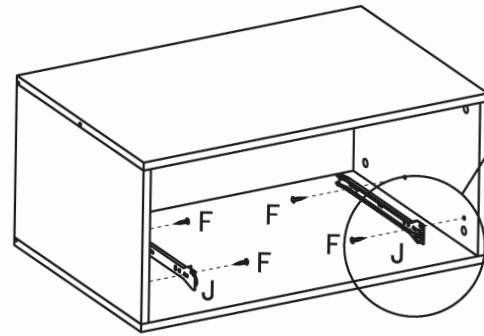


3



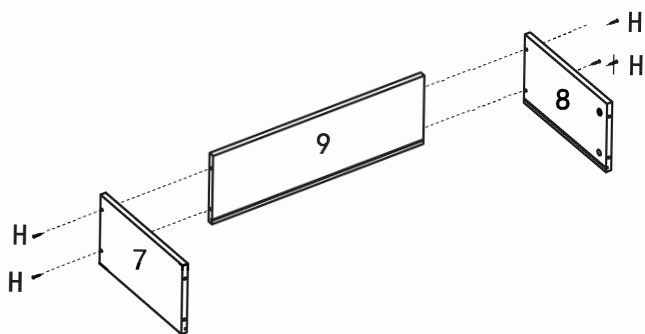
A	X4
B	X4

4



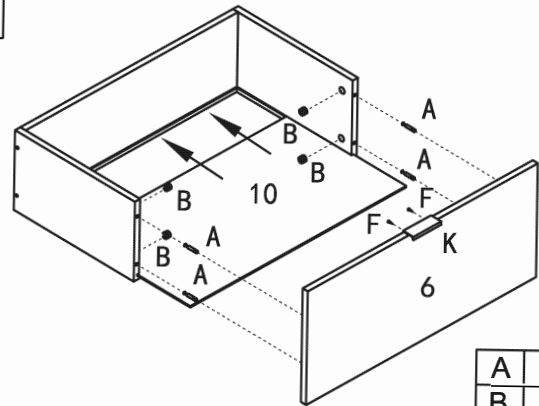
F	X4
J	X2

5



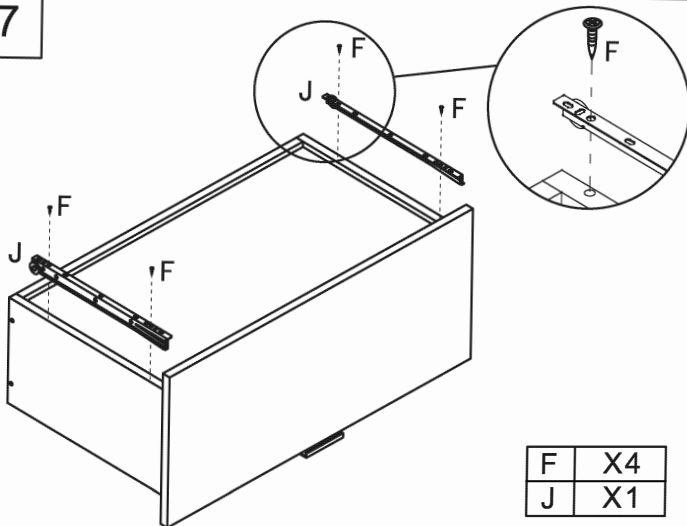
H	X4
---	----

6



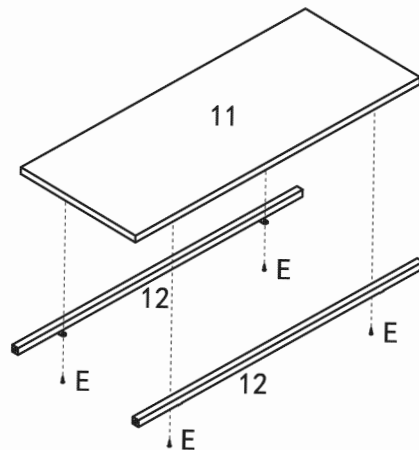
A	X4
B	X4
F	X2
K	X1

7



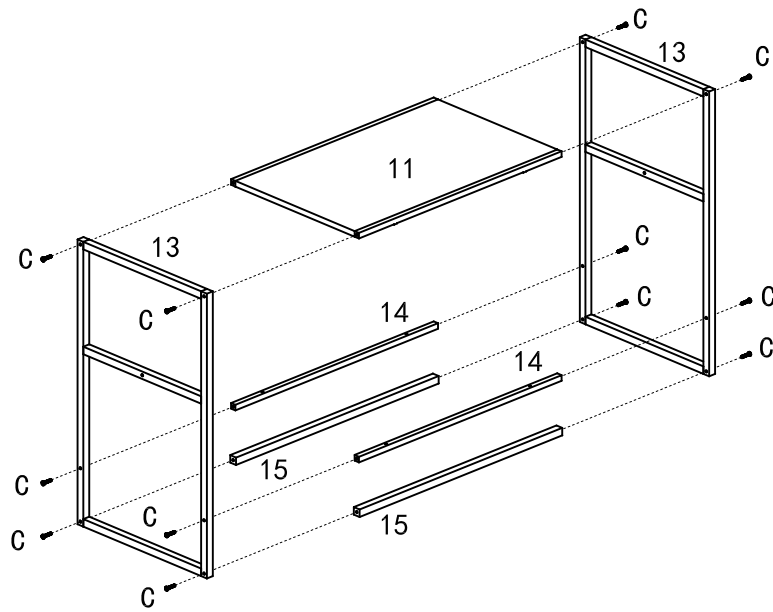
F	X4
J	X1

8



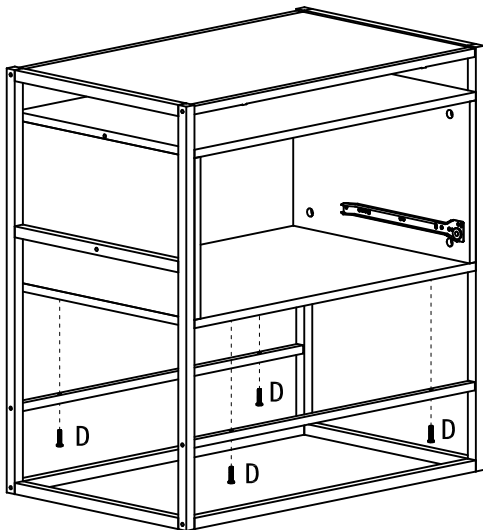
E	X4
---	----

9



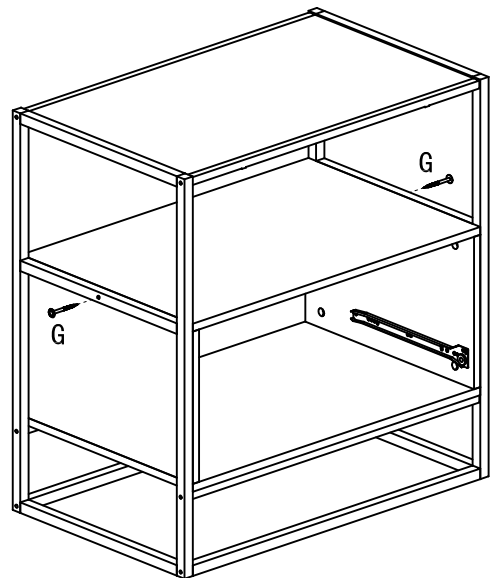
C X12

10



D X4

11



G X2

12

