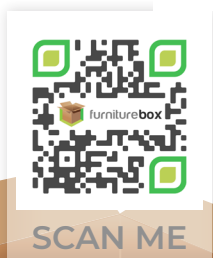
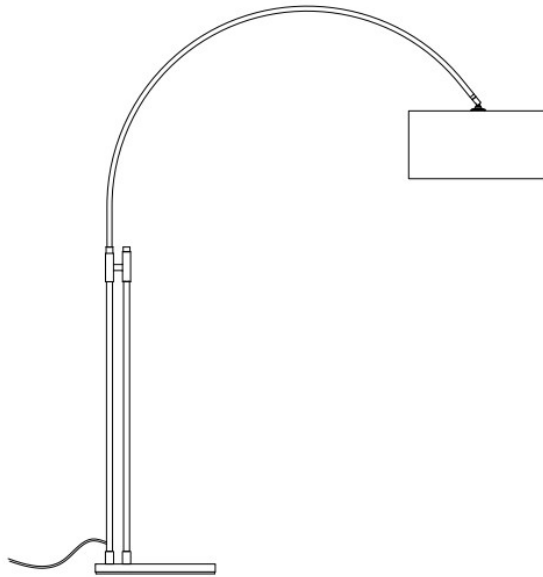


# LUCINDA ARC LAMP

## ASSEMBLY GUIDE



[www.furniturebox.co.uk](http://www.furniturebox.co.uk)

Scan QR code for more tips,  
advice and assembly video or visit  
[furniturebox.co.uk/club/lucindaarclamp](http://furniturebox.co.uk/club/lucindaarclamp)

**Important - Please read these instructions fully before starting assembly**



**SAFETY AND  
CARE ADVICE**



**NO POWER TOOLS**

## **SAFETY AND CARE ADVICE**

- Check you have all the components and tools listed.
- The lamp must be protected by a 3 amp fuse in the main plug. This lamp can only be used with a 220V~240V 50Hz power source
- Intended for indoor use and must not be used in bathrooms or near any liquids
- Do NOT plug in or use with product until it has been completely assembled and the light bulb has been installed. During assembly or maintenance, make sure the lamp is disconnected from the mains.
- Ensure the lamp is placed on a level and stable surface during use
- Under no circumstances must this lamp be covered with any type of material or have anything hung from any part of the lamp. Covering the lamp could pose a safety hazard.
- If the external flexible cord or switch of the lamp is damaged, do NOT use the lamp under any circumstances.
- Waste electrical products cannot be disposed of with normal household waste. Please check with your local authority for your nearest recycling centre that accepts electrical products.
- When replacing the light bulb, make sure the lamp is switched off at the mains plug to allow it to cool down. (CAUTION: light bulbs get hot during use)



## IMPORTANT INFORMATION



30 MINUTE  
BUILD



ONE  
PERSON

### **SAFETY AND CARE ADVICE (CONTINUED)**

- **Make sure to use the correct wattage and type of light bulb for the lamp. Using light bulbs of a higher wattage than the lamp requires can cause a safety hazard and may cause damage to the lamp. Lamp requires 1x E27 bulb, max. 28W (bulb not included)**
- To clean the lamp, use a dry clean cloth **ONLY**. Do **NOT** use any liquids or cleaners on the lamp. If any liquids are spilt on the lamp, stop using immediately and contact a qualified electrician for advise.
- Incorrect assembly and/or use of the lamp will void the warranty.
- If you have any doubt about installation/use of the lamp, consult a qualified electrician.

Use a clean, flat, soft surface to avoid any bumps or scratches.

## STEP 1

Remove the cable guard and discard.

## STEP 2

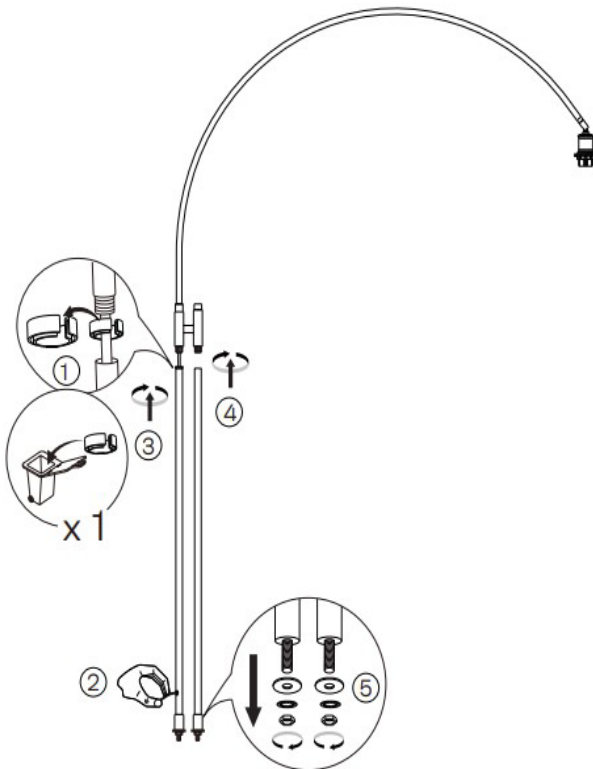
Untangle the cable.

## STEPS 3 & 4

Screw the 2x lower stand pieces into the the top arched piece.

## STEP 5

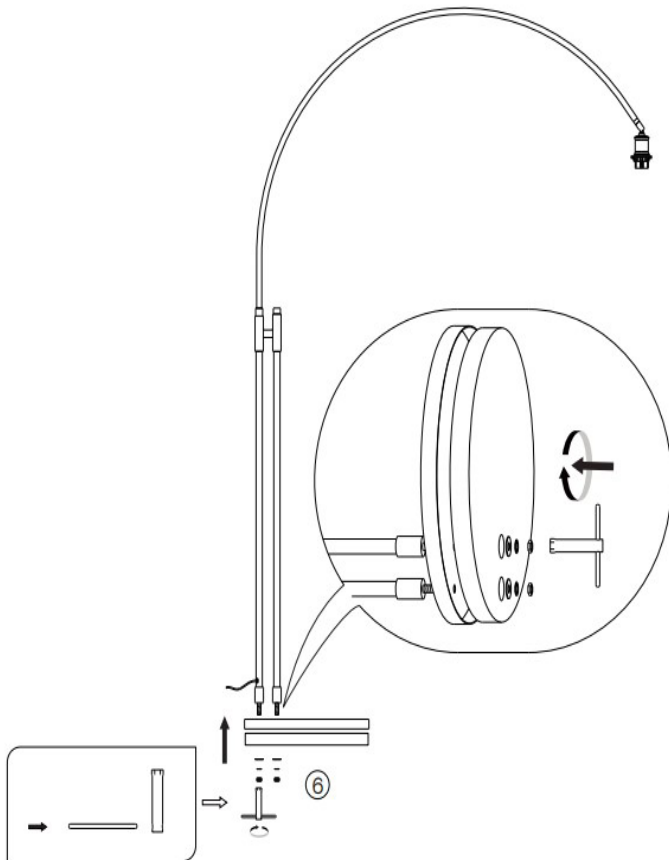
Place 1x large washer, 1x lock tooth washer and 1x nut on the end of each rod.

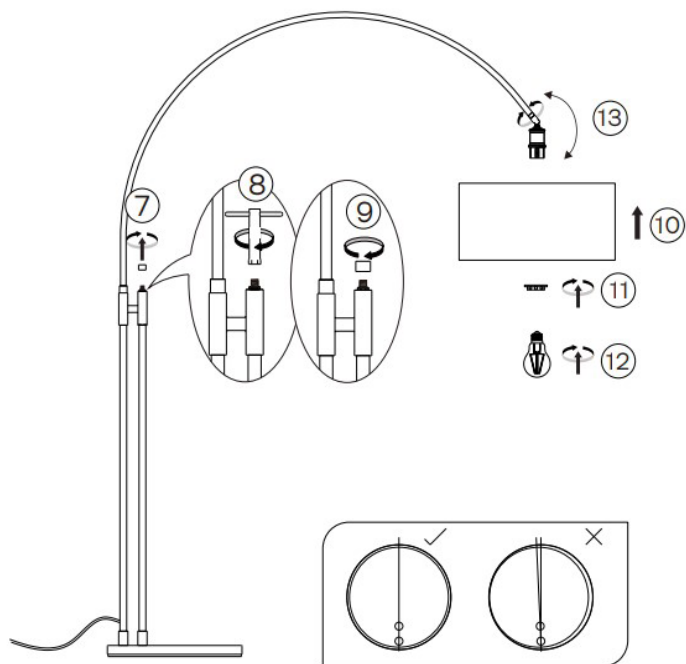


## STEP 6

Slot lamp stand rods into base.

Secure from underside using another 1x large washer, 1x lock tooth washer and 1x nut on the end of each rod. Tighten with wrench.





## STEPS 7, 8 & 9

Unscrew the cap from the top of the 2nd lamp stand pole, tighten the rod inside to lock into base then screw the cap back on.

## STEP 10

Remove socket cap, place lamp shade over bulb socket.

## STEP 11

Replace and tighten the socket cap to secure shade to lamp. Ensure the bulb socket and cap are aligned

## STEP 12

Carefully screw in 1x E27 bulb (not included)

## STEP 13

Adjust angle of lampshade.

**NOTE:** The quantities above are the correct amount to complete the assembly. In some cases more fittings may be supplied than are required.



furniturebox



# WE **LOVE** INTERIORS! SHARE YOURS WITH US ON SOCIAL MEDIA

1. follow us on Instagram
2. post your interior
3. tag us to be featured



@furnitureboxUK



@furniturebox\_uk



@furnitureboxuk

[www.furniturebox.co.uk](http://www.furniturebox.co.uk)



## OUR 2 YEAR\* GUARANTEE

our products come with a 2 year guarantee to give you peace of mind shopping at Furniturebox

\*excludes some garden furniture items which have a 1 year guarantee



## WHAT THE GUARANTEE COVERS



**PRE-INSERTED FIXINGS**  
e.g. loose metal threads



**FAULTY JOINTS**  
e.g. legs bending



**EXTERNAL FIXING FAULTS**  
e.g. bonding/glue



**STRUCTURAL INTEGRITY**  
e.g. the frame of the product



## ACTIVATE YOUR GUARANTEE ONLINE

scan this QR code with your phone to read the full guarantee online and register your product. It only takes a moment to fill out. Or visit: [furniturebox.co.uk/our-guarantee](https://furniturebox.co.uk/our-guarantee)

Furniturebox UK, Unit 6, St Modwen's Park,  
Chippenham, SN15 5BD  
Tel: 01747 863333 Email: [sales@furniturebox.co.uk](mailto:sales@furniturebox.co.uk)