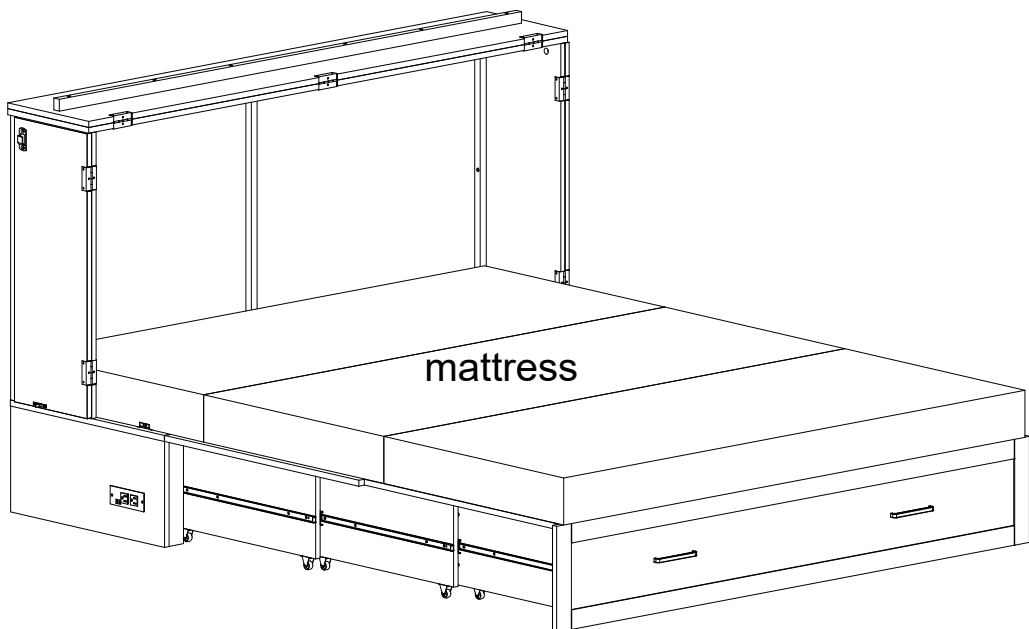
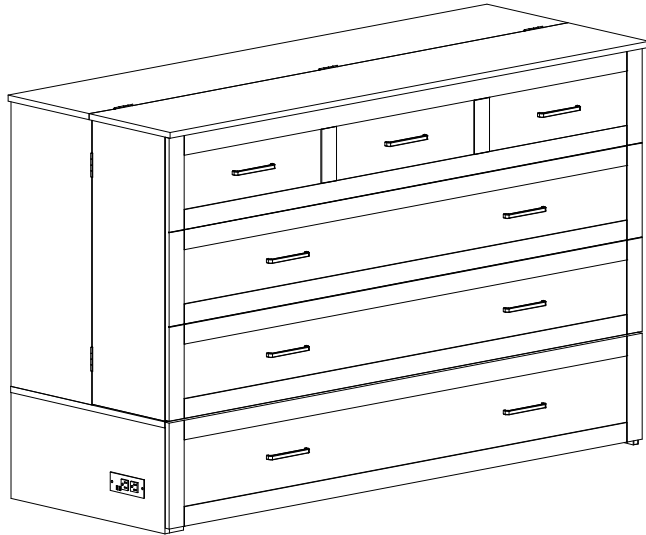
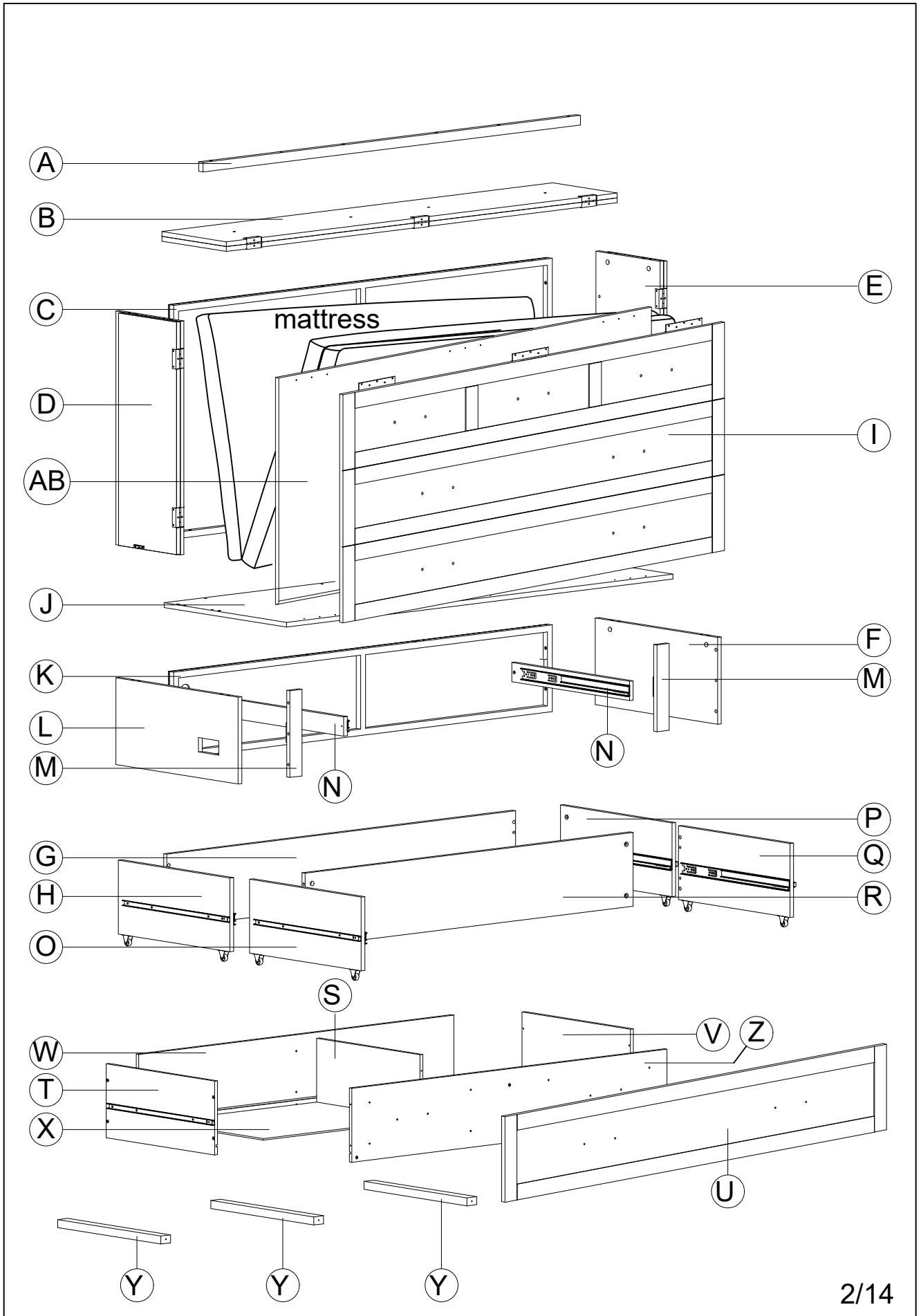


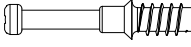

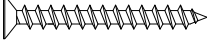
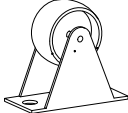

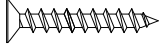


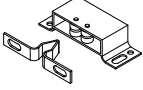




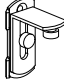


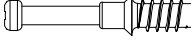


# INSTALLATION GUIDE

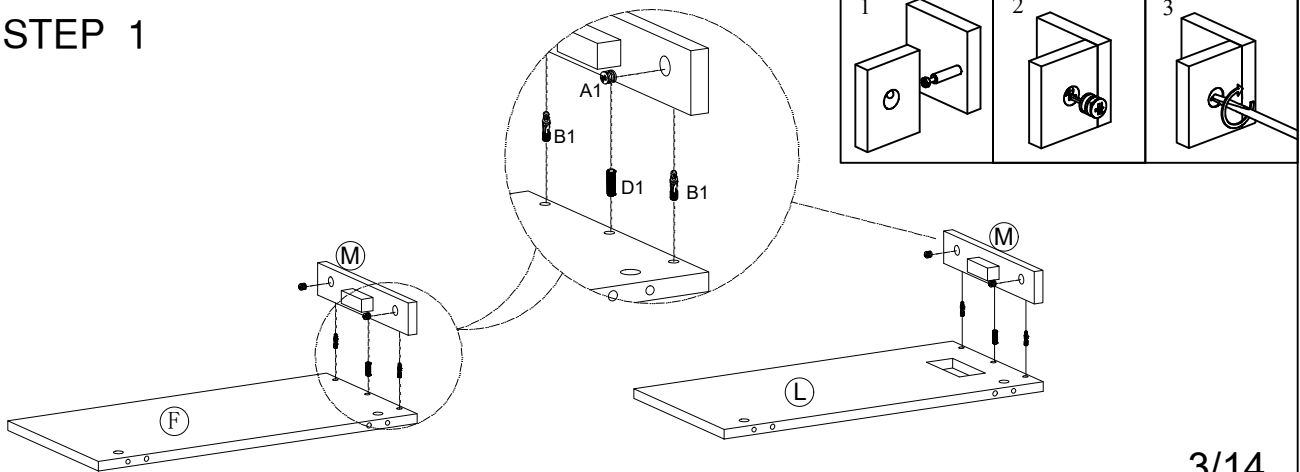




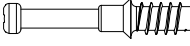


A1	 KD Cam	24 PCS	H1		9 PCS
B1		24 PCS	I1		1 PCS
C1	 #8-Ø4X30	50 PCS	J1		14 PCS
D1	 8 x 30MM	42 PCS	K1	 #8-Ø4X20	8 PCS
E1	 #7-Ø3.5 x 14	76 PCS	L1		1 PCS
F1		2 PCS	M1	 M4 X 16mm	14 PCS
G1	 M4 X 28mm	4 PCS	M1		2 PCS
O1	 M4 X 16mm	14 PCS	N1		2 PCS

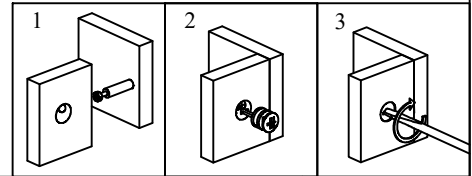
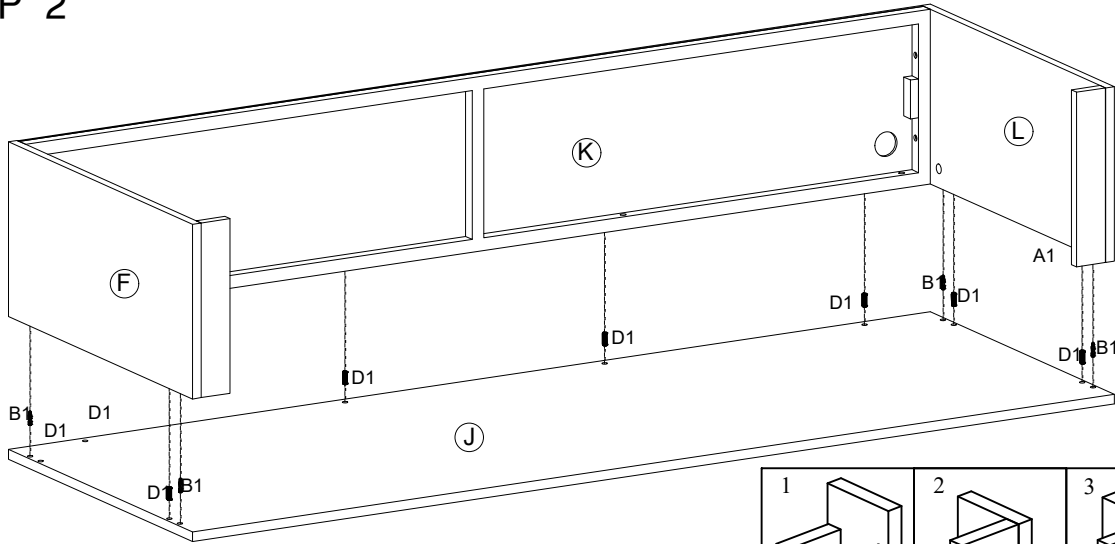
A1	 KD Cam	4 PCS	D1	 8 x 30MM	2 PCS
B1		4 PCS			

STEP 1



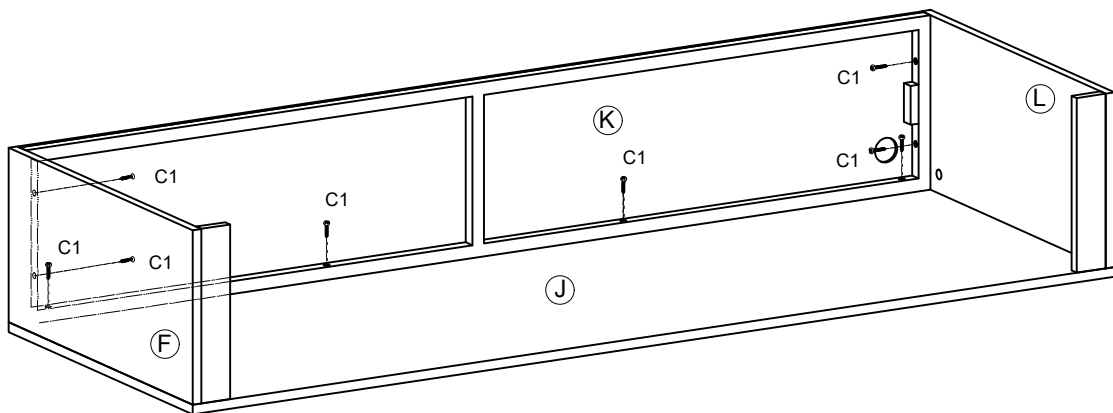
A1	 KD Cam	4 PCS	D1	 8 x 30MM	8 PCS
B1		4 PCS			

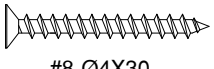
STEP 2



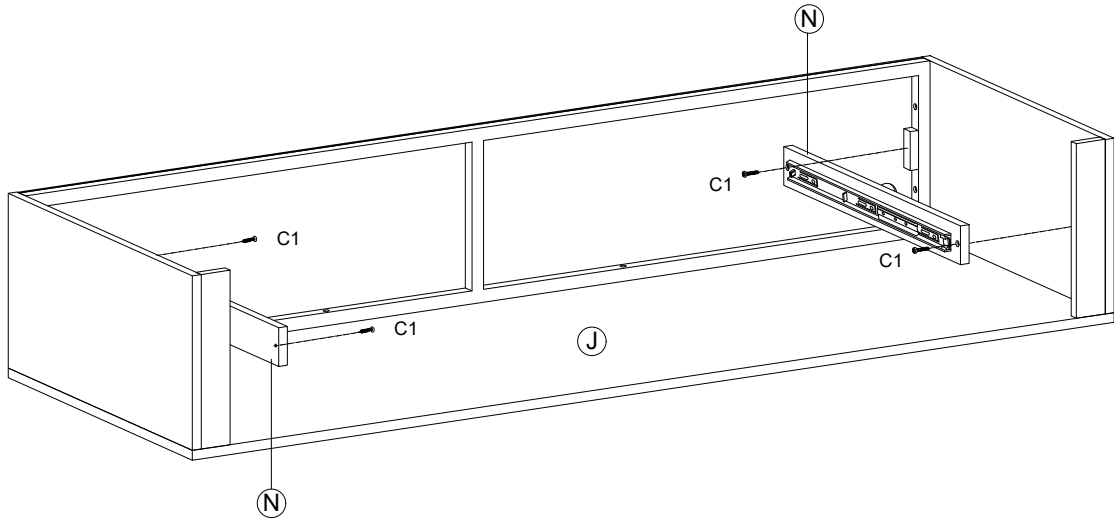
C1	 #8-Ø4X30	8 PCS			
----	-------------------------------------------------------------------------------------------------	-------	--	--	--

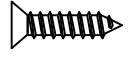

STEP 3

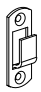


C1	 #8-Ø4X30	4 PCS			
----	-----------------------------------------------------------------------------------------------	-------	--	--	--

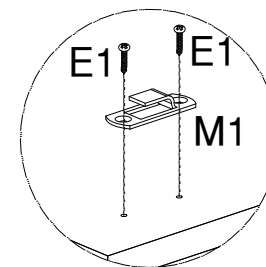
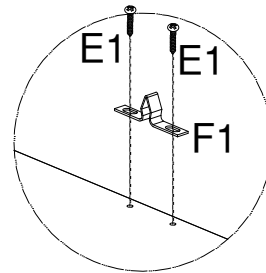
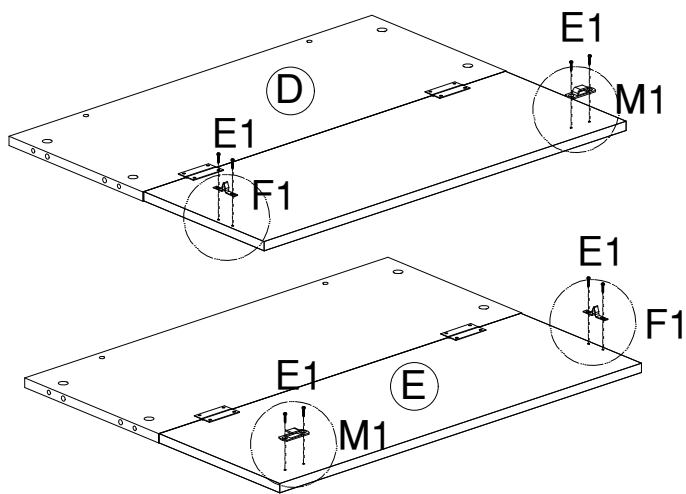
STEP 4




E1	 #7-Ø3.5 x 14	8 PCS	F1		2 PCS
----	-----------------------------------------------------------------------------------------------------	-------	----	---------------------------------------------------------------------------------------	-------

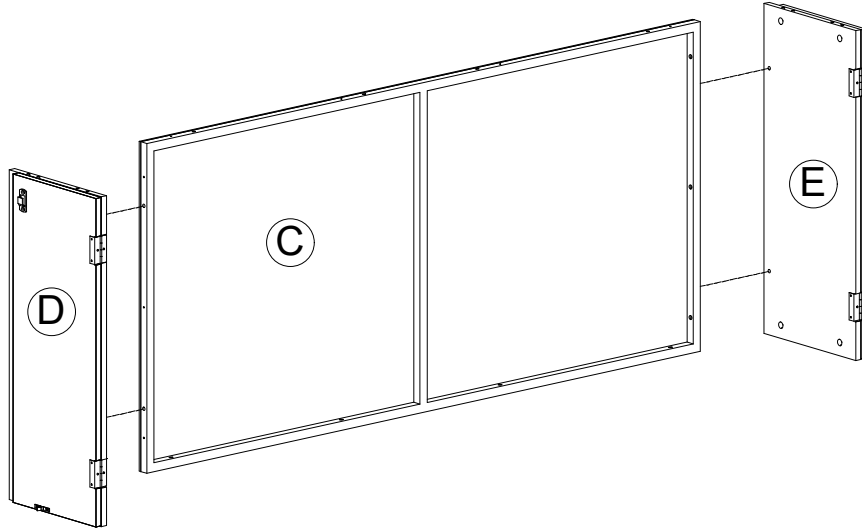
M1		2 PCS	<p>When installing F1 accessories, they must be installed separately. If they cannot be locked after installation, they can be adjusted by themselves.</p>		
----	-------------------------------------------------------------------------------------	-------	------------------------------------------------------------------------------------------------------------------------------------------------------------	--	--



STEP 5



D1	 8 x 30MM	4 PCS			
----	-----------------------------------------------------------------------------------------------	-------	--	--	--

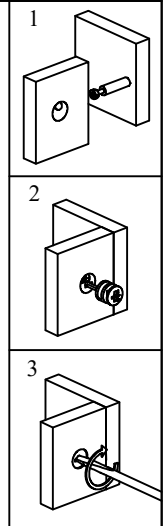
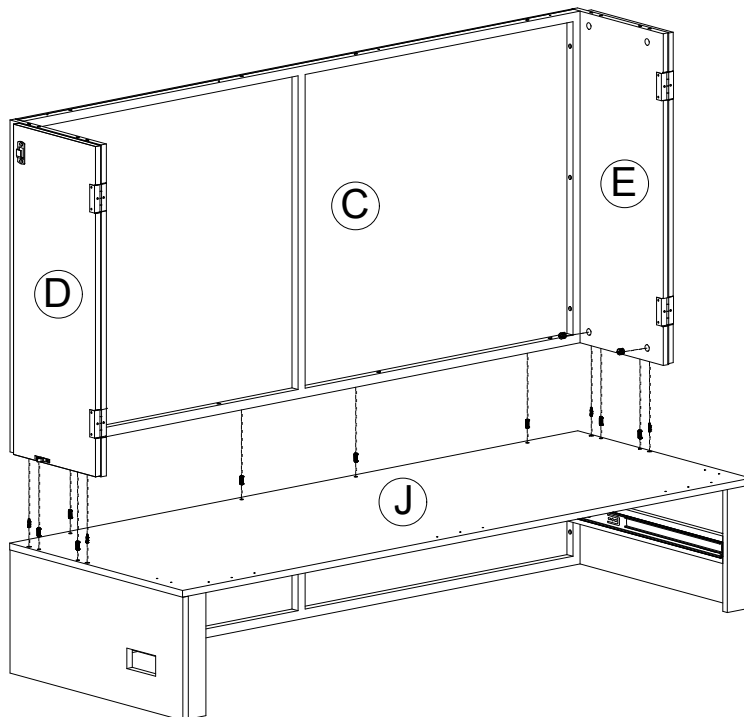
STEP 6



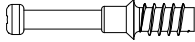


A1	 KD Cam	4 PCS	D1	 8 x 30MM	8 PCS
----	-----------------------------------------------------------------------------------------------	-------	----	---------------------------------------------------------------------------------------------------	-------

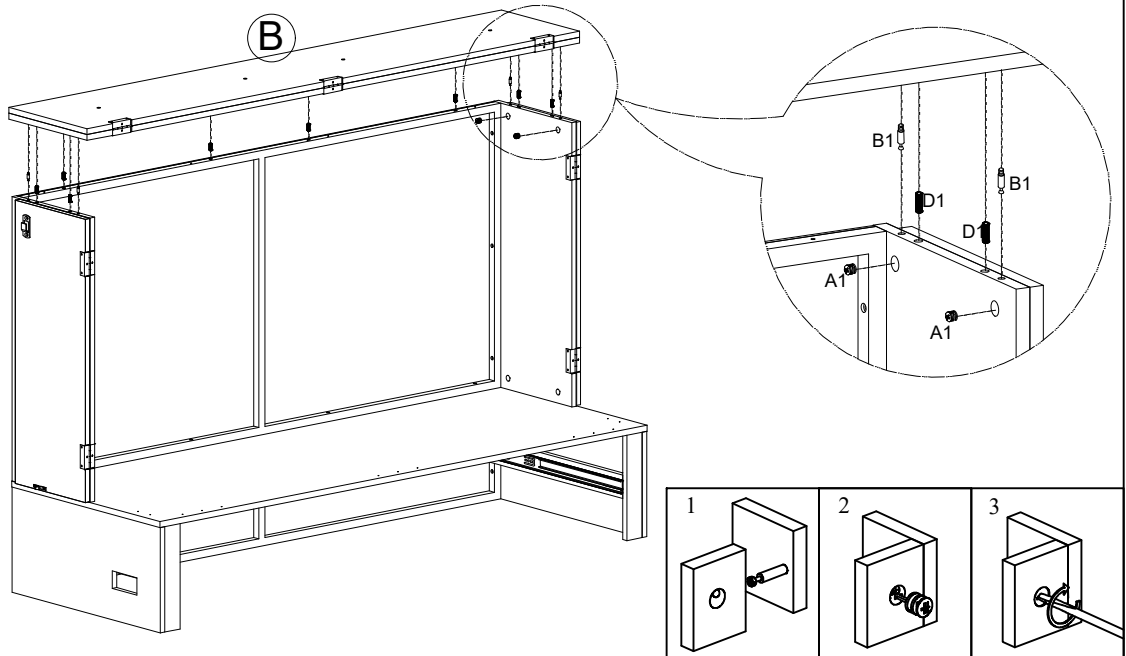
B1		4 PCS			
----	-------------------------------------------------------------------------------------	-------	--	--	--

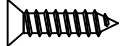
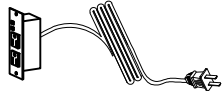
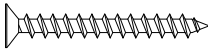
STEP 7



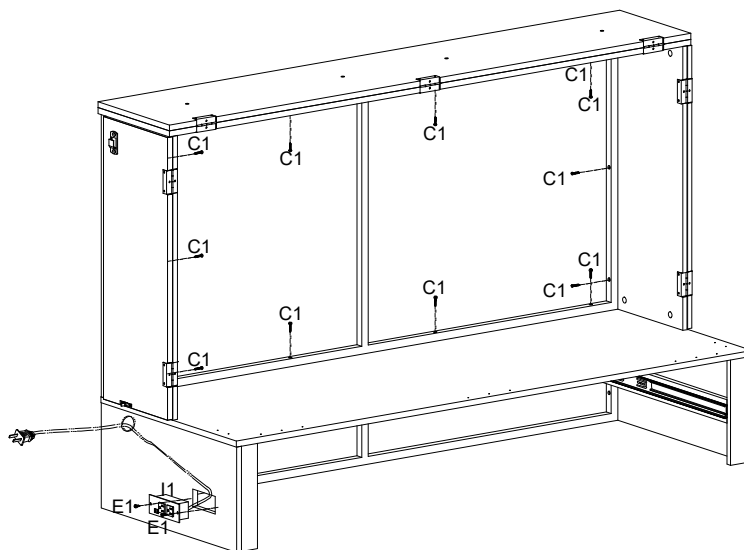
A1	 KD Cam	4 PCS	D1	 8 x 30MM	8 PCS
B1		4 PCS			


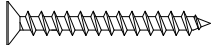
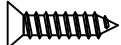
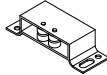
STEP 8



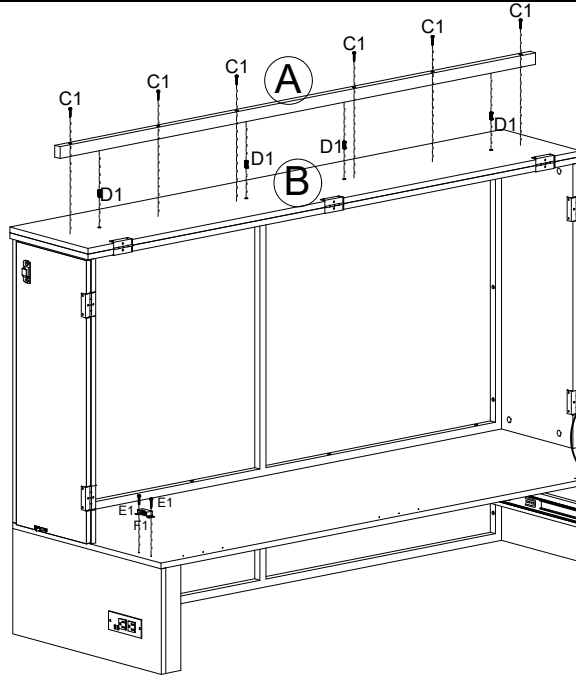
E1	 #7 x 3.5x14	2 PCS	I1		1 PCS
C1	 #8-Ø4X30	14 PCS			

STEP 9

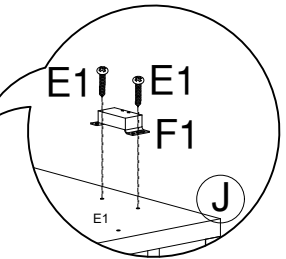


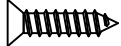
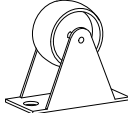
D1	 8 x 30MM	4 PCS	C1	 #8-Ø4X30	6 PCS
E1	 #7-Ø3.5 x 14	4 PCS	F1		2 PCS

### STEP 10

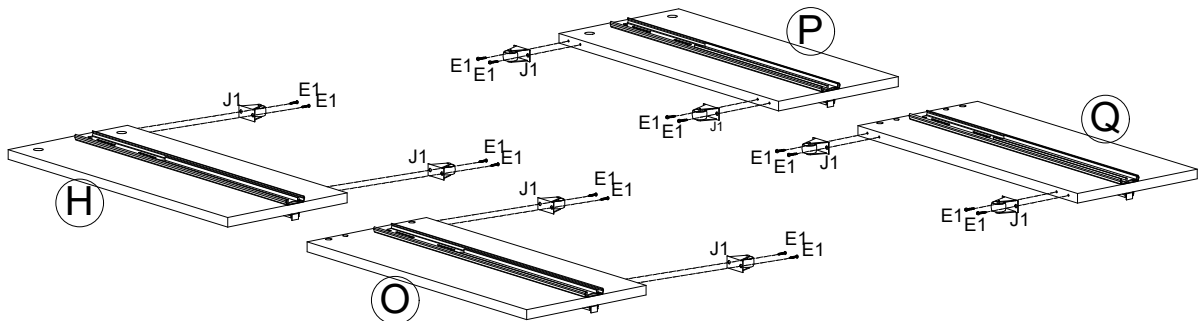




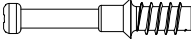
When installing F1 accessories, they must be installed separately. If they cannot be locked after installation, they can be adjusted by themselves.



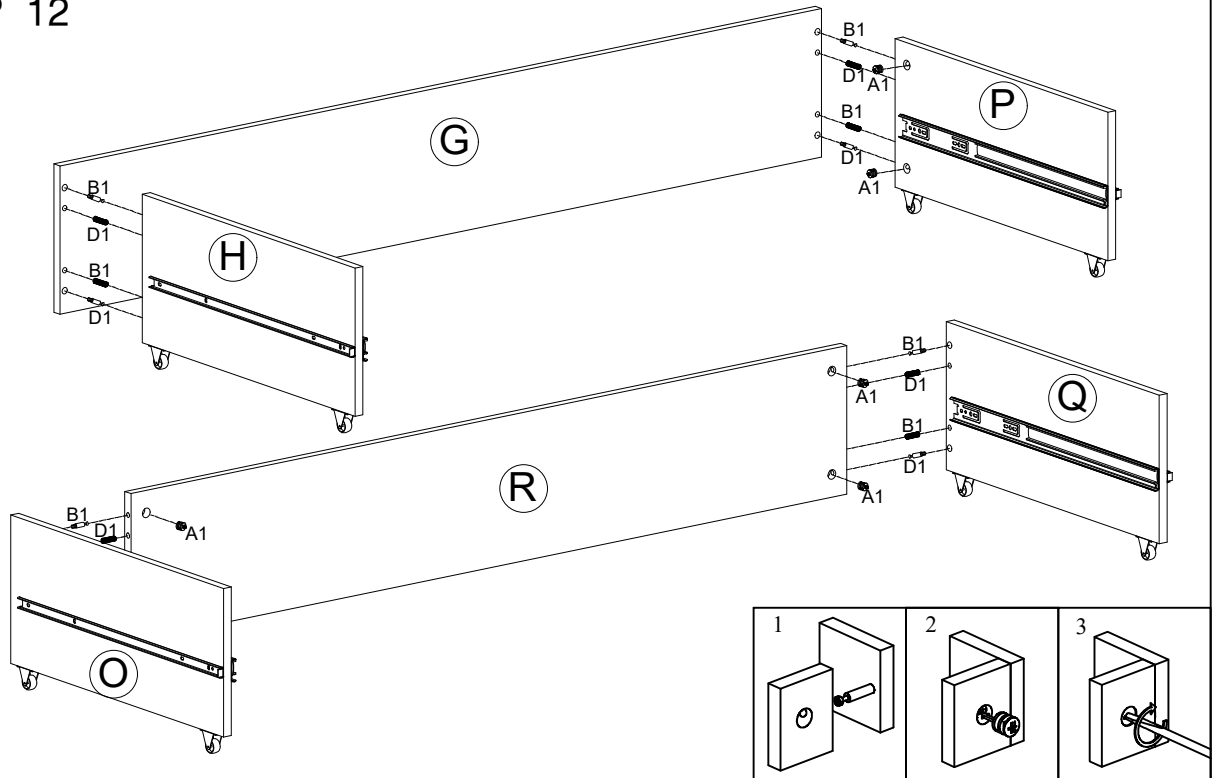
E1	 #7 x 3.5x14	16 PCS	J1		8 PCS
----	----------------------------------------------------------------------------------------------------	--------	----	---------------------------------------------------------------------------------------	-------

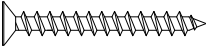
### STEP 11



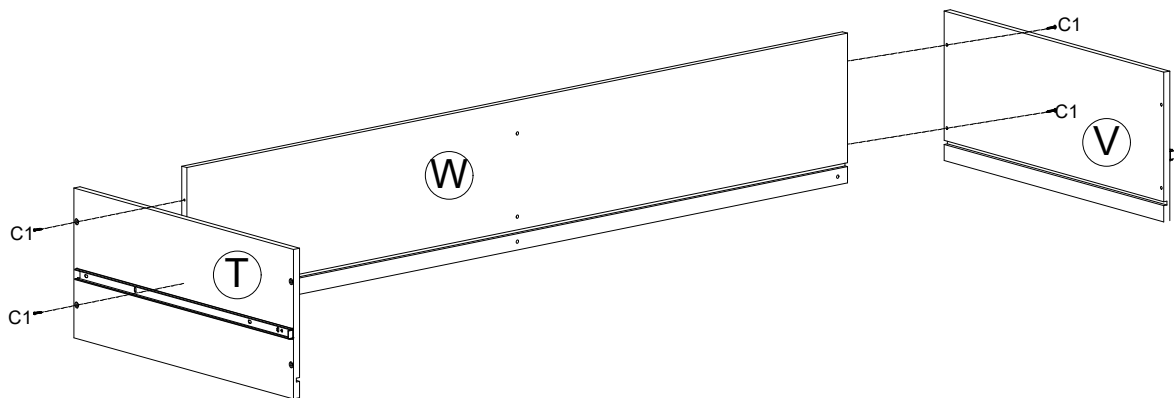
A1	 KD Cam	8 PCS	D1	 8 x 30MM	8 PCS
B1		8 PCS			

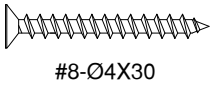
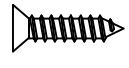
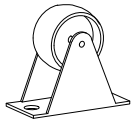
STEP 12



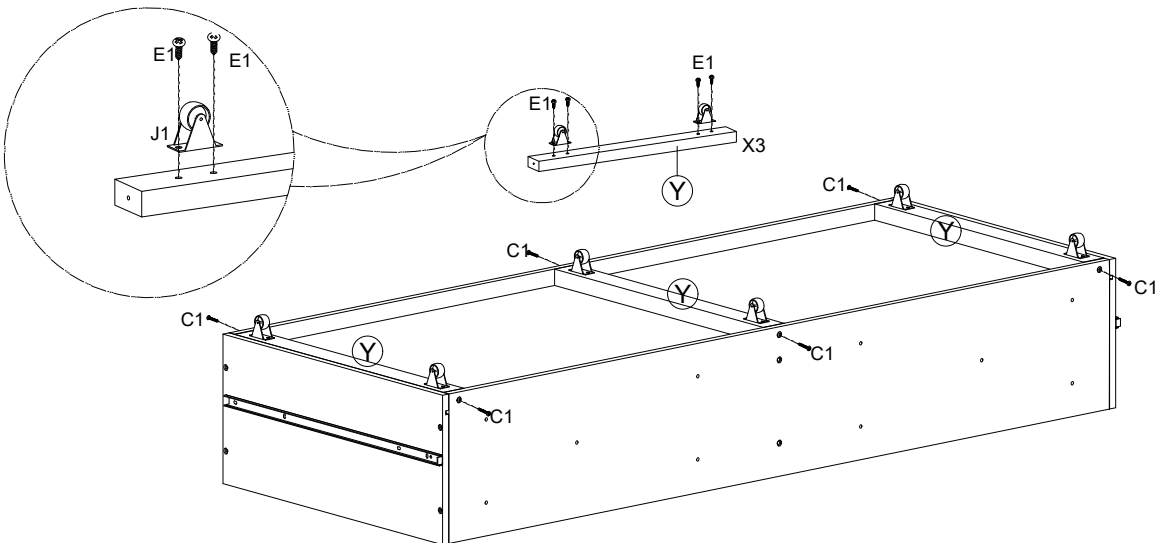
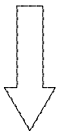
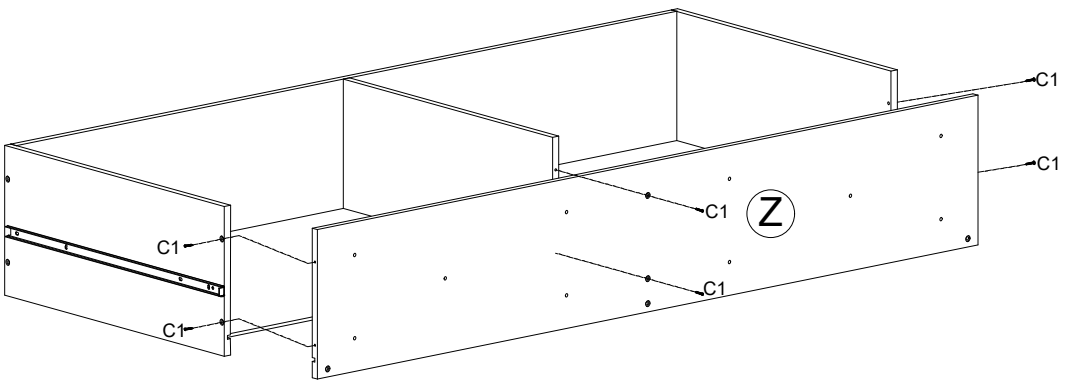
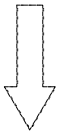
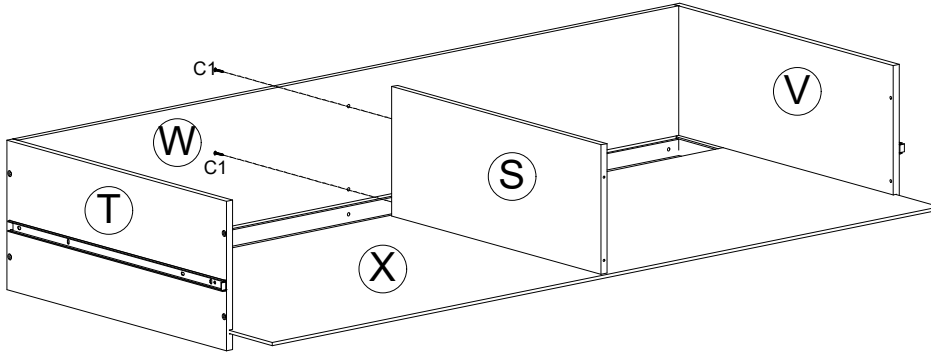
C1	 #8-Ø4X30	4 PCS			
----	-------------------------------------------------------------------------------------------------	-------	--	--	--



STEP 13



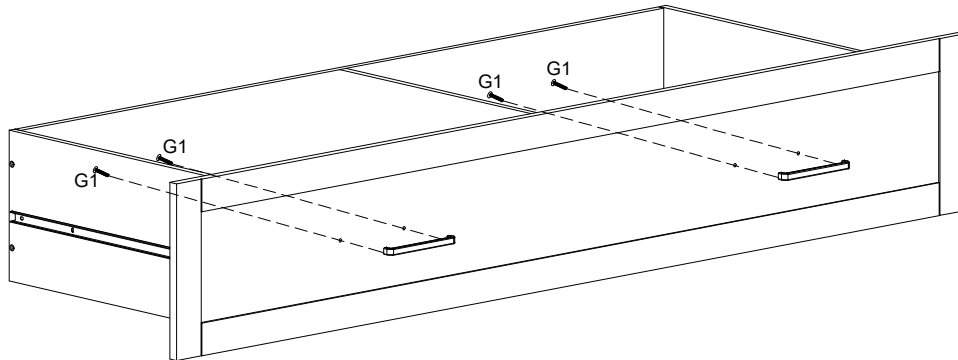
C1	 #8-Ø4X30	14 PCS	E1	 #7 x 3.5x14	12 PCS
J1		6 PCS			

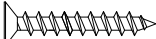
STEP 14



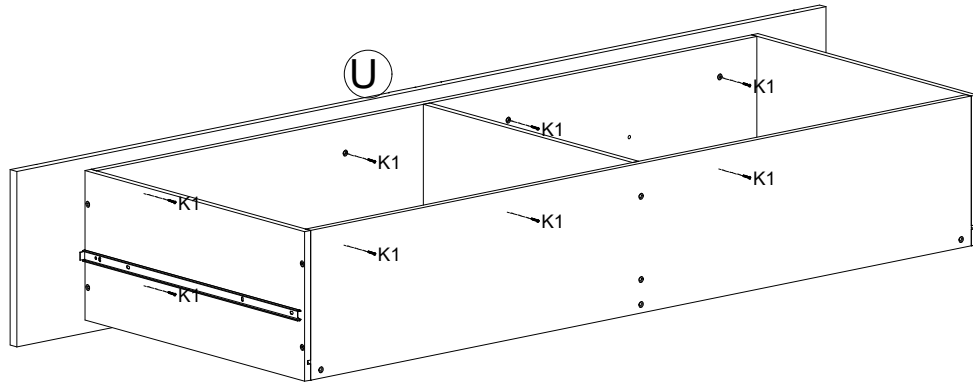
G1	 M4 X 25mm	4 PCS	H1		2 PCS
----	------------------------------------------------------------------------------------------------	-------	----	-------------------------------------------------------------------------------------	-------



STEP 15



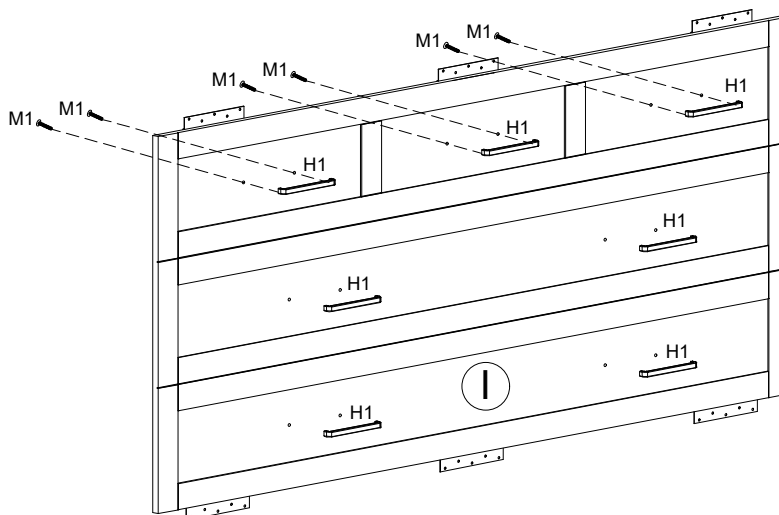
K1	 #8-Ø4X20	8 PCS			
----	-----------------------------------------------------------------------------------------------	-------	--	--	--

STEP 16

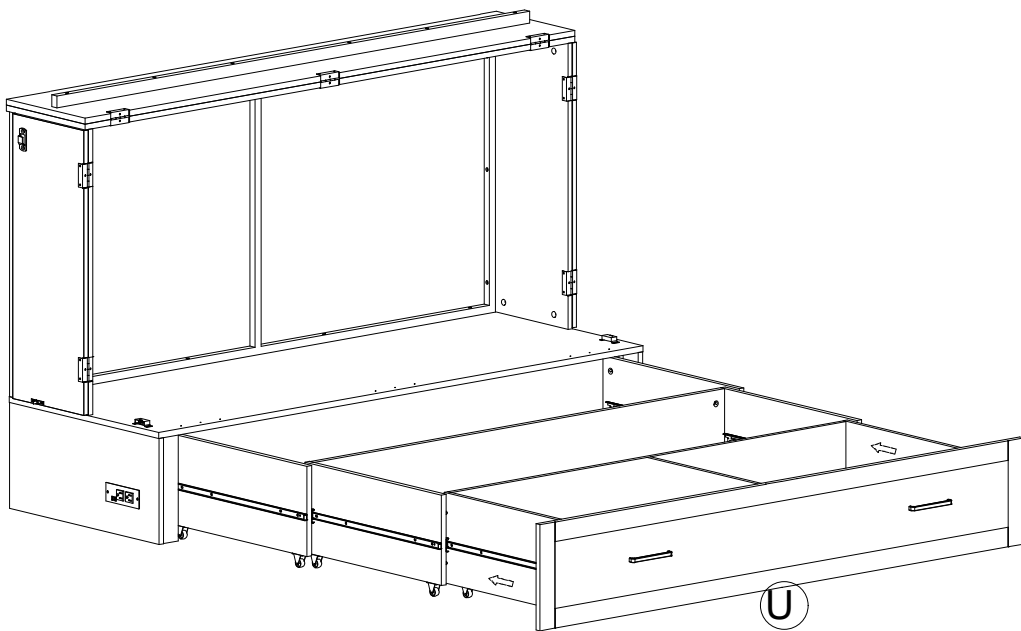
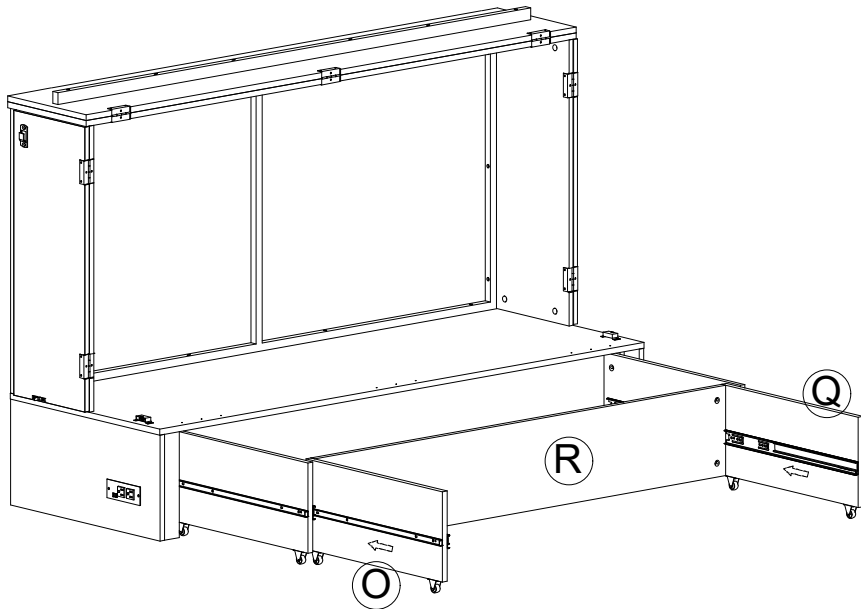
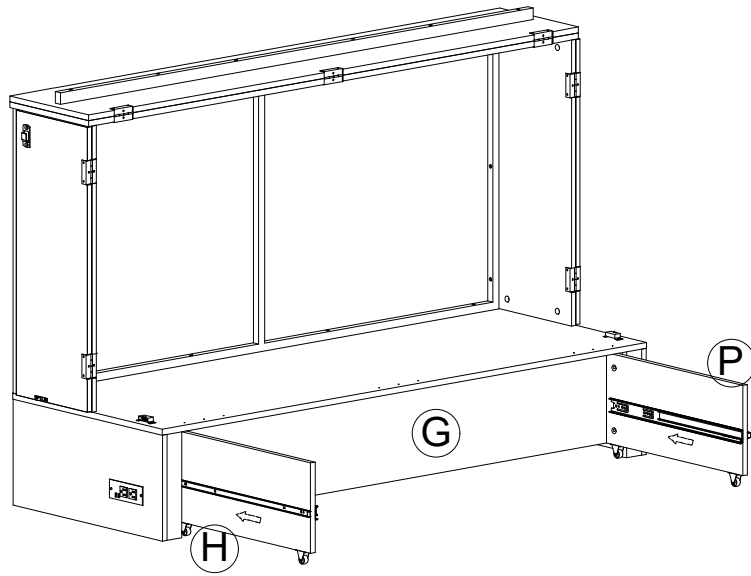



O1	 M4 X 16mm	14 PCS	H1		7 PCS
----	--------------------------------------------------------------------------------------------------	--------	----	---------------------------------------------------------------------------------------	-------

STEP 17

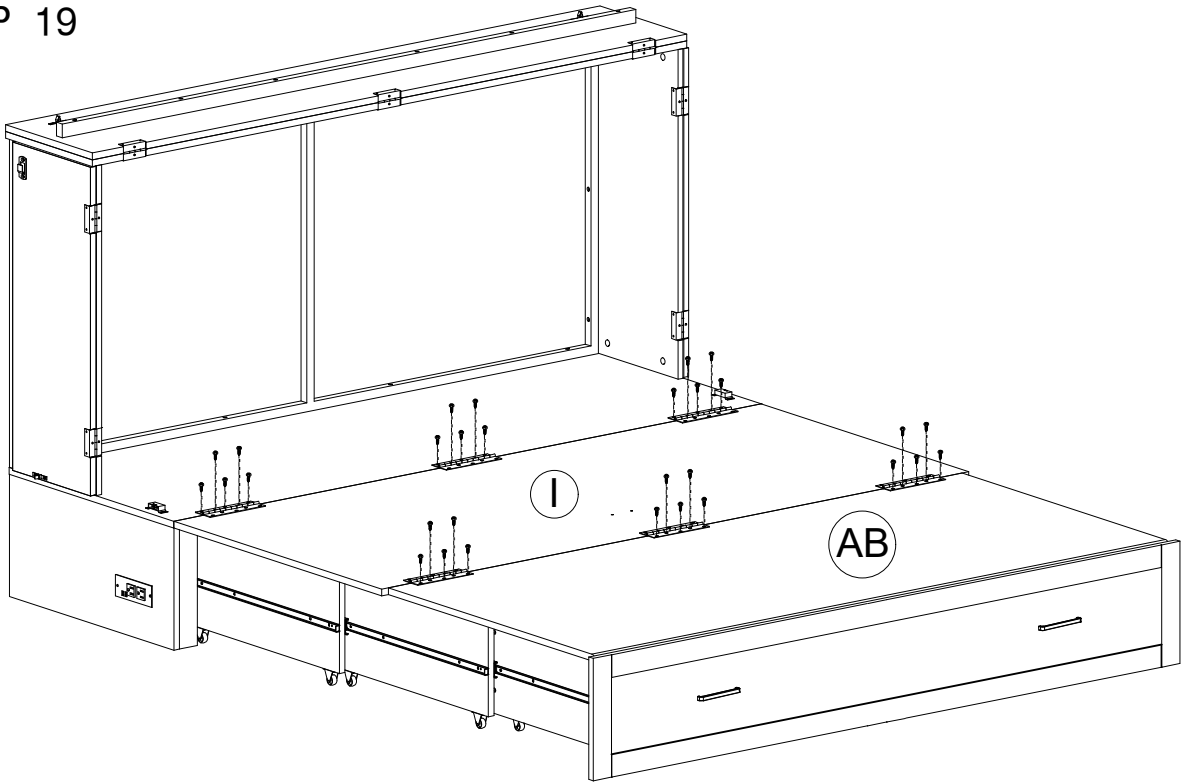


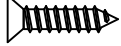
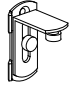
STEP 18



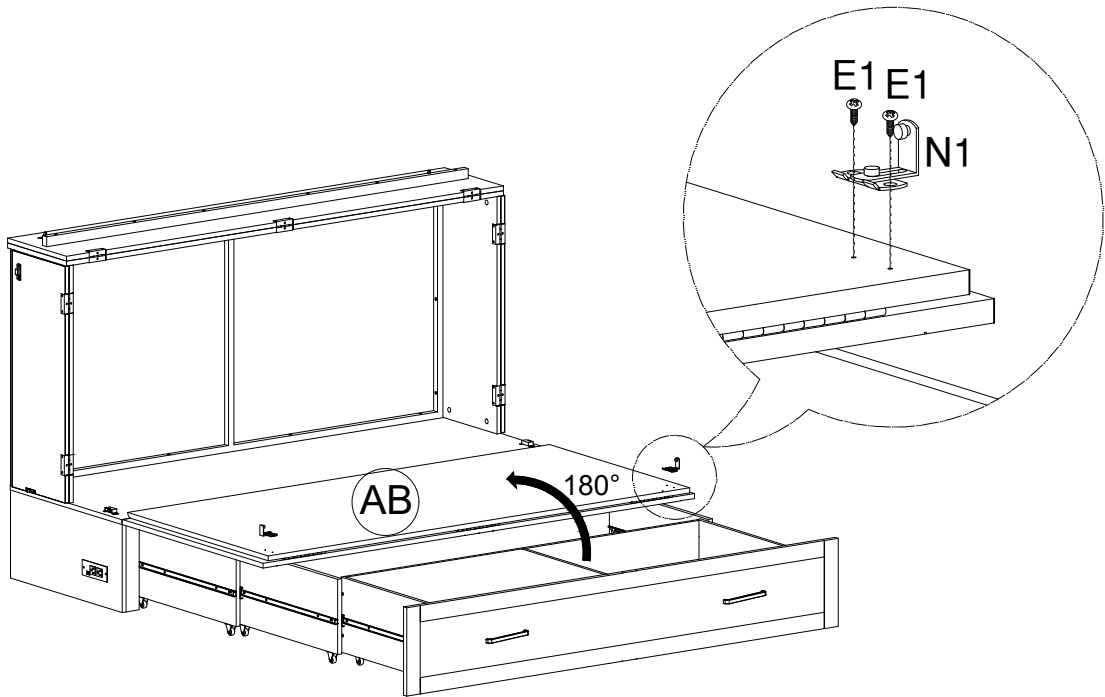
E1	 #7 x 3.5x14	30 PCS			
----	--------------------------------------------------------------------------------------------------	--------	--	--	--

STEP 19



E1	 #7-φ3.5 x 14	4 PCS	N1		2 PCS
----	-----------------------------------------------------------------------------------------------------	-------	----	---------------------------------------------------------------------------------------	-------

STEP 20



# STEP 21

