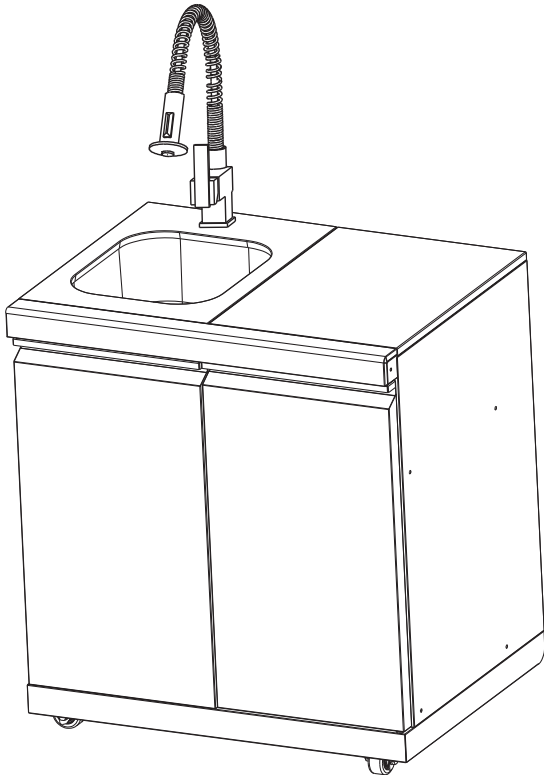


# MARRINOX

[www.marrinox.com](http://www.marrinox.com)



KU-MWB



KU-MD3

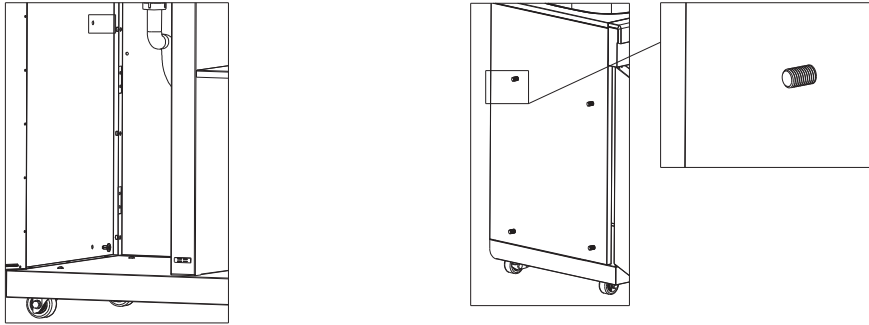
---

**Important:** Retain these instructions for future use.

---

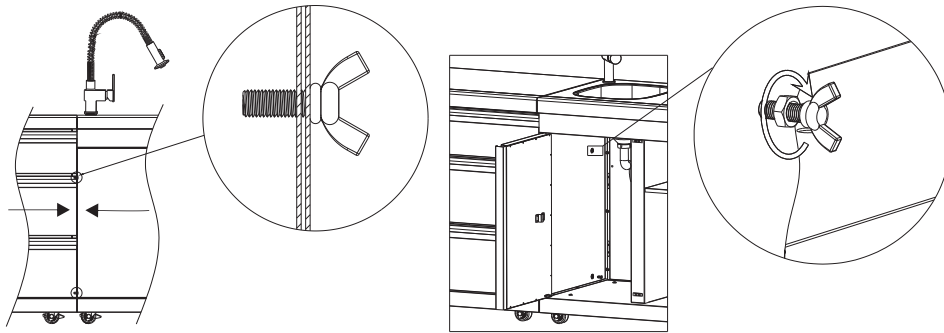
To join any 2 modules or module to BBQ, use 2 screws and 2 nuts as following steps.

1



2

3

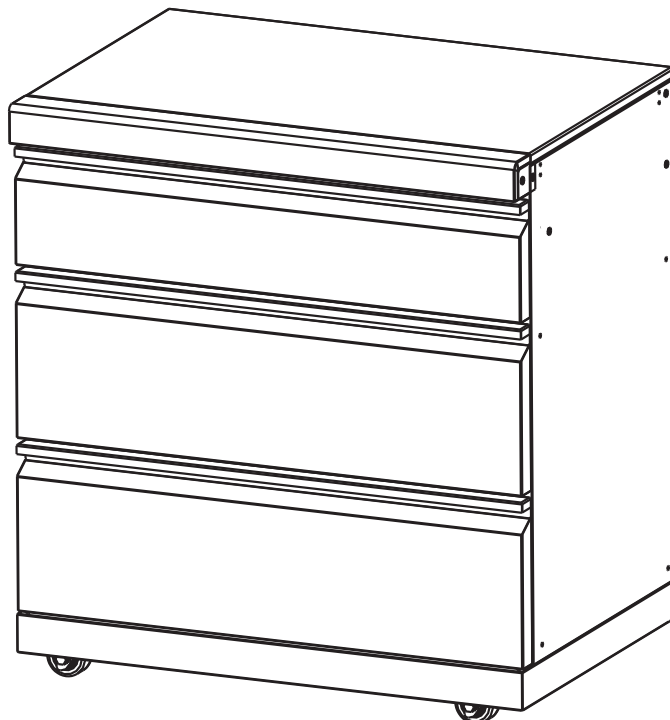


**Finished Outdoor Kitchen (Sample set up for reference only)**

Lifestyle image is indicative only. Model purchased may differ from those shown

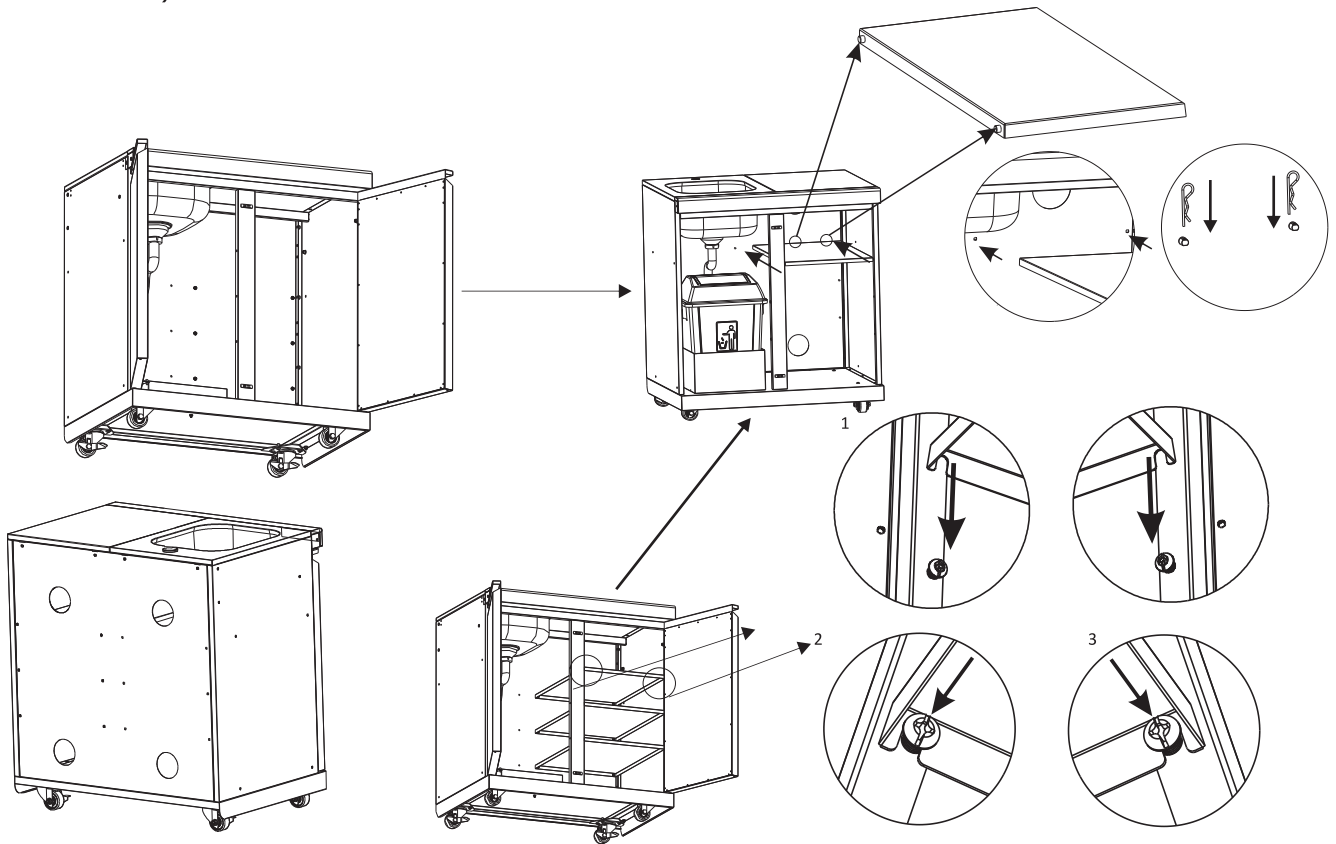
**KU-MD3 - STORAGE MODULE**

See the Finished version in the following picture.

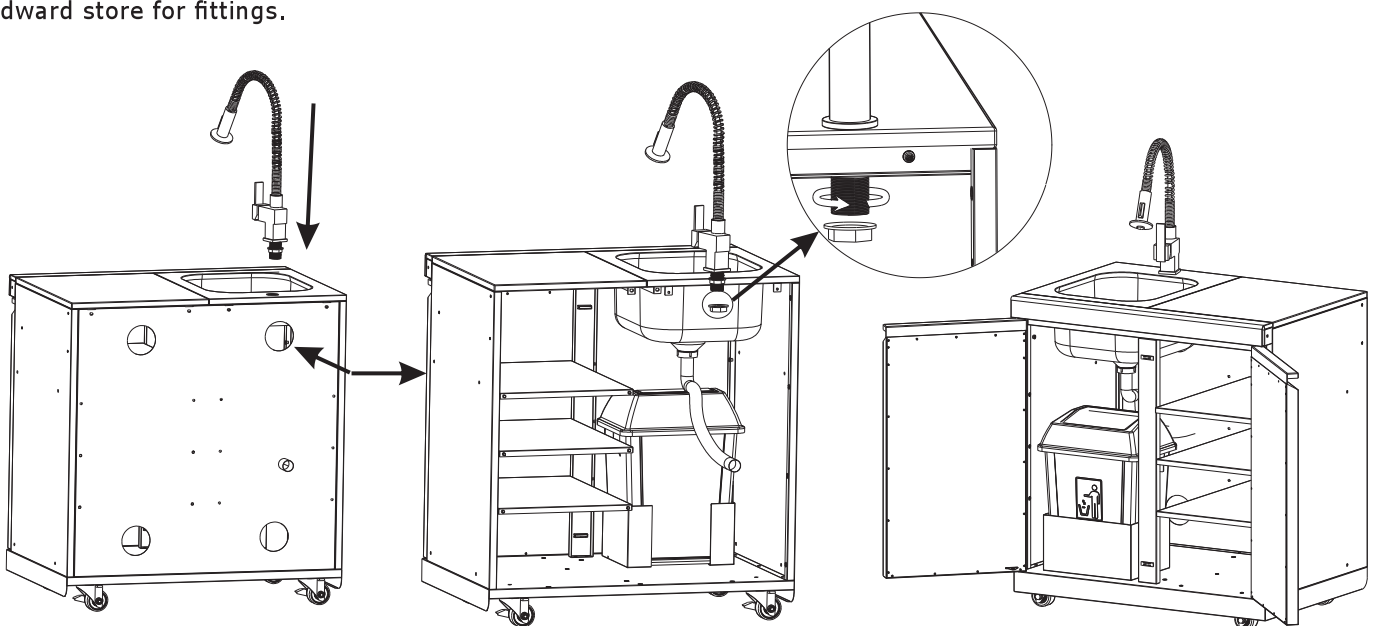


## ASSEMBLY INSTRUCTIONS KU-MWB SPLIT SINK TOP MODULE

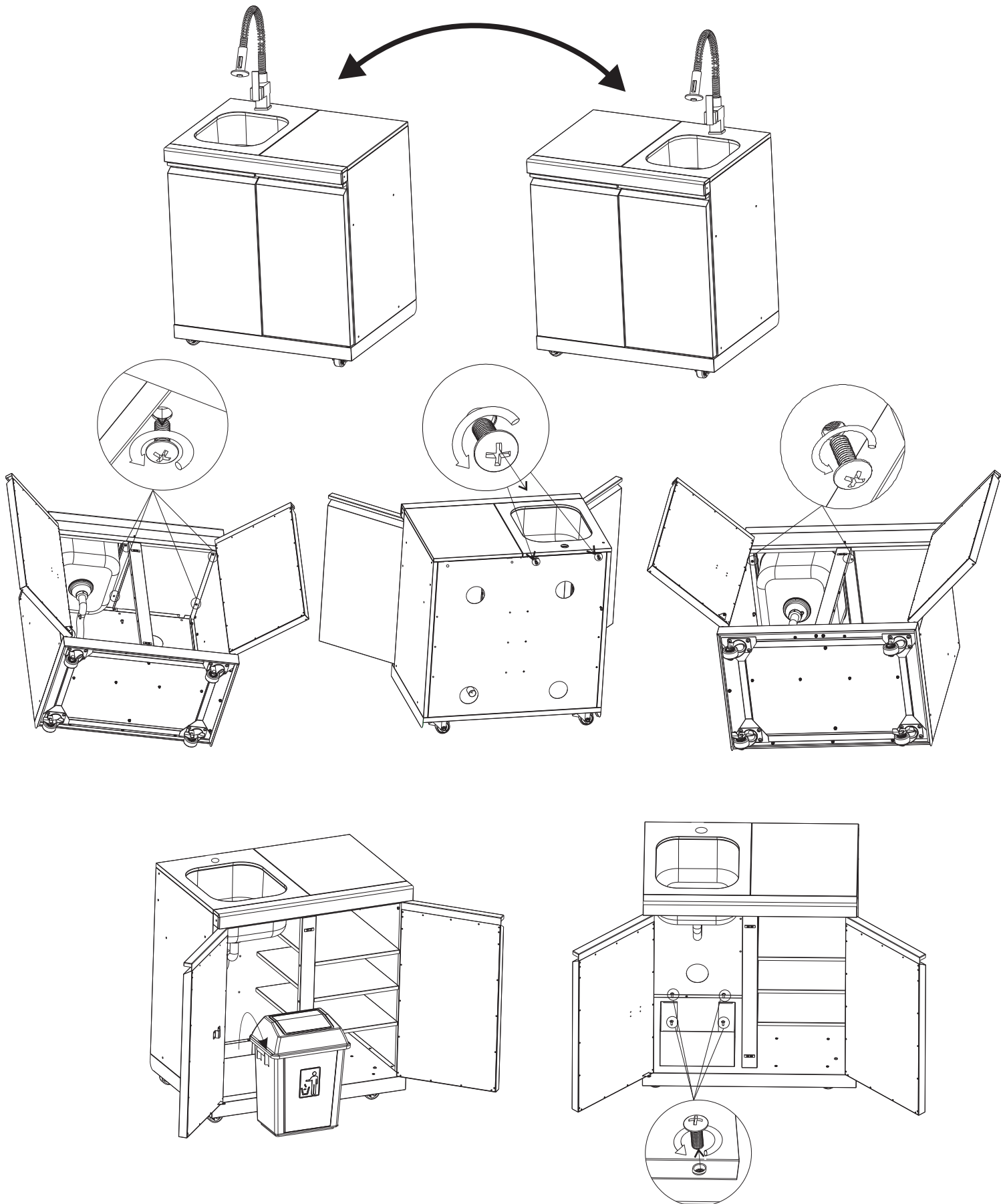
Add the shelves (3pcs) into the cabinet using the screws supplied. Unscrew the screws at each of the front corners (see pictures below).

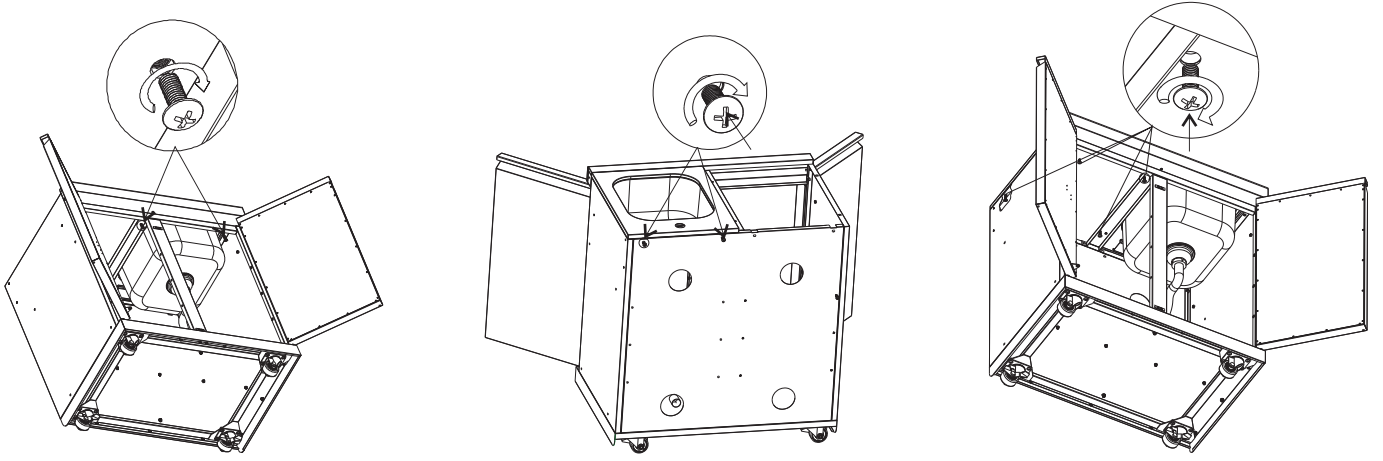
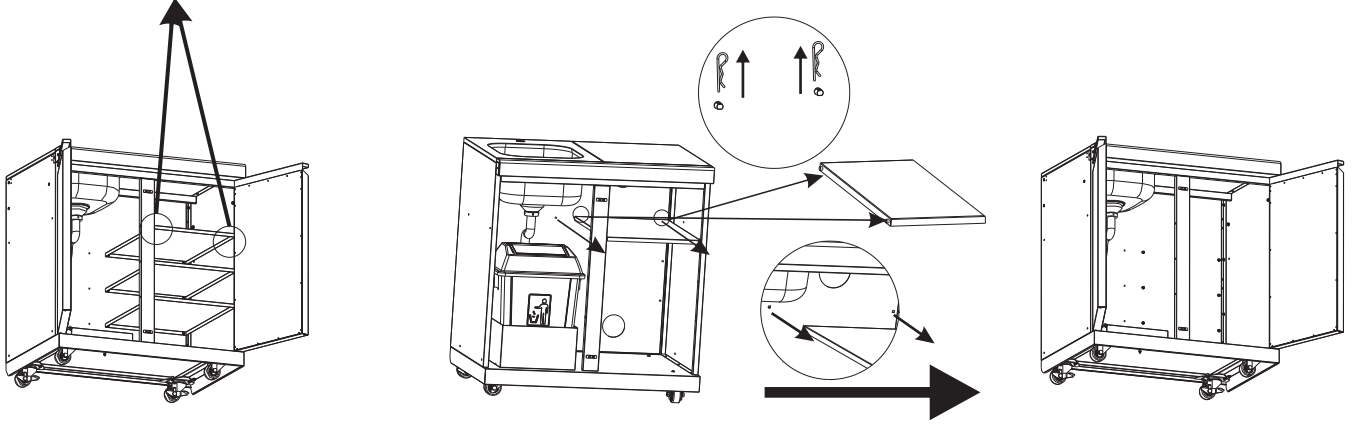
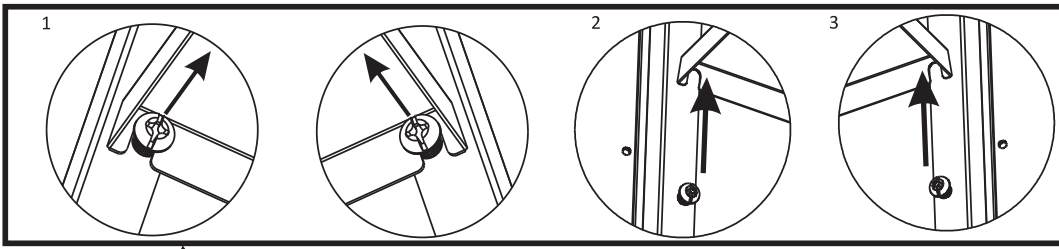


Insert the tap thread through the hole in the top, and secure with Nut from underneath, inside the cabinet. See picture below. Fittings required will depend on the situation and location of the BBQ; contact your local hardware store for fittings.



Sink top is flexible, follow below steps to reassemble it.  
Disassembly:





**Assembly:**

