

SWING STAND

Assembly Instruction



**THIS INSTRUCTION BOOKLET CONTAINS IMPORTANT SAFETY INFORMATION.
PLEASE READ AND KEEP FOR FUTURE REFERENCE.**

Accessories List



1 pc
①



1 pc
②



4 pcs
③



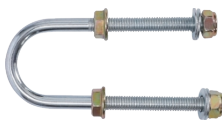
2 pcs
④



4 pcs
⑤



4 pcs
⑥



2 pcs
A



M8 BOLT 50mm

1 pc
B



M8 BOLT 45mm

4 pcs
C



M6 BOLT 50mm

4 pcs
D



M6 BOLT 60mm

4 pcs
E



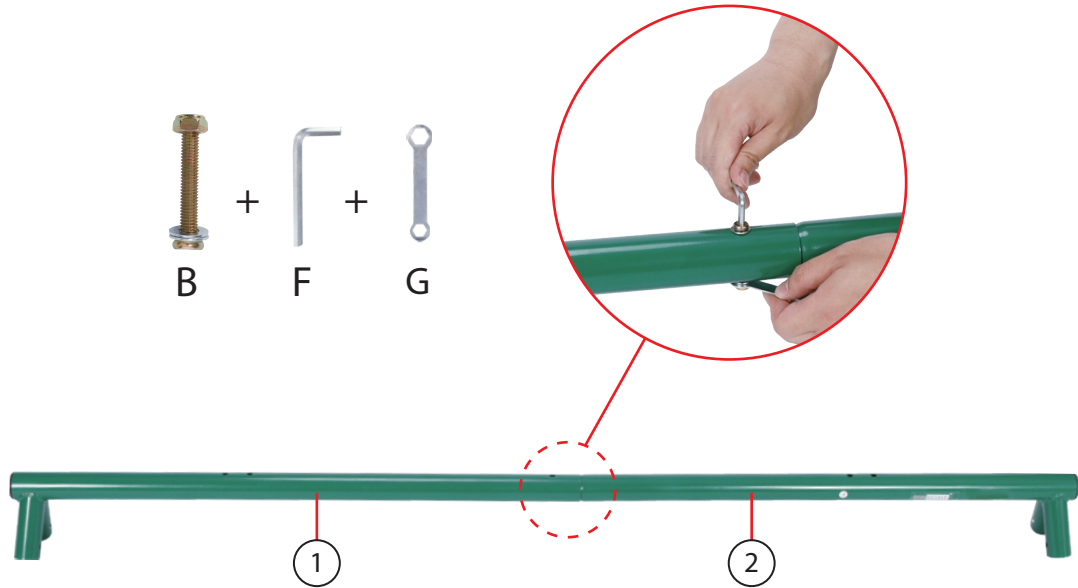
2 pcs
F



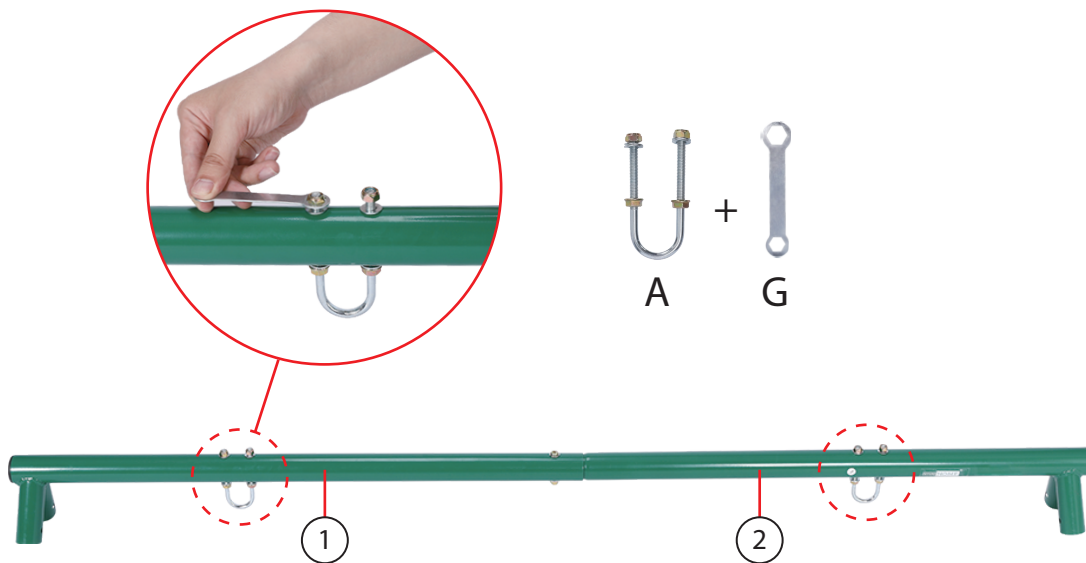
1 pc
G

Installation process

Step 1

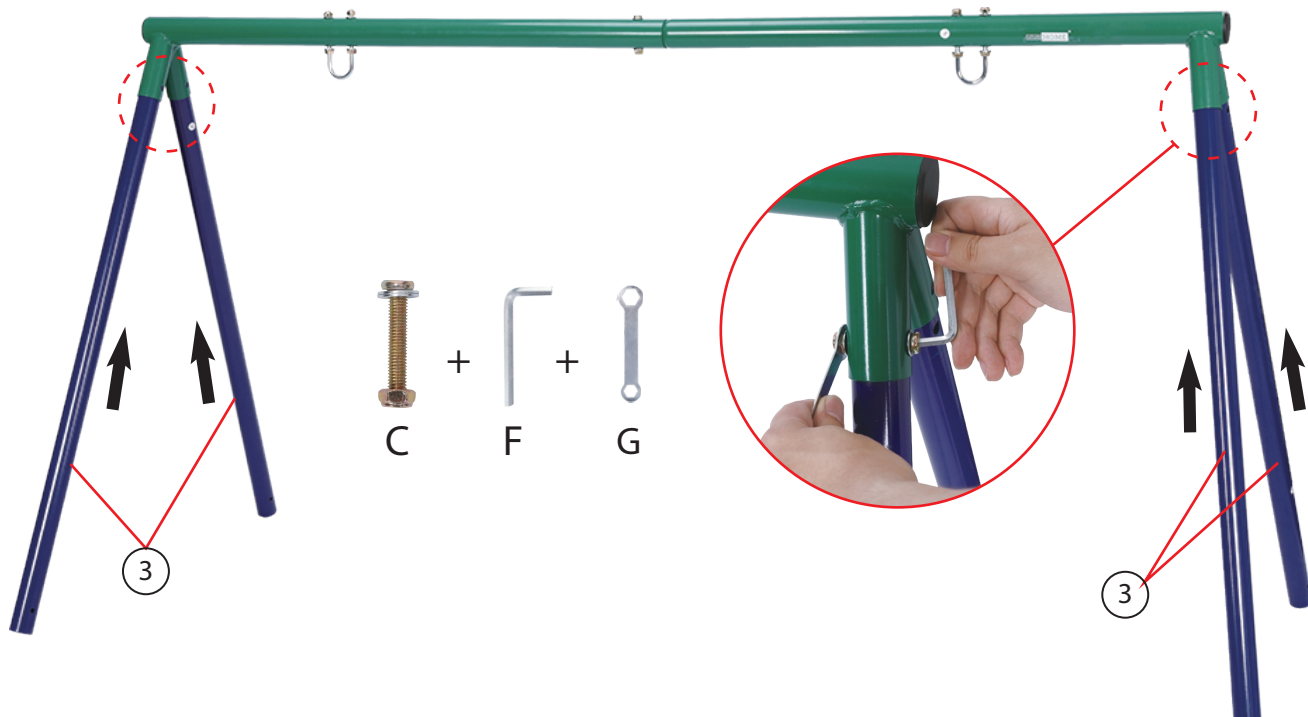


Step 2

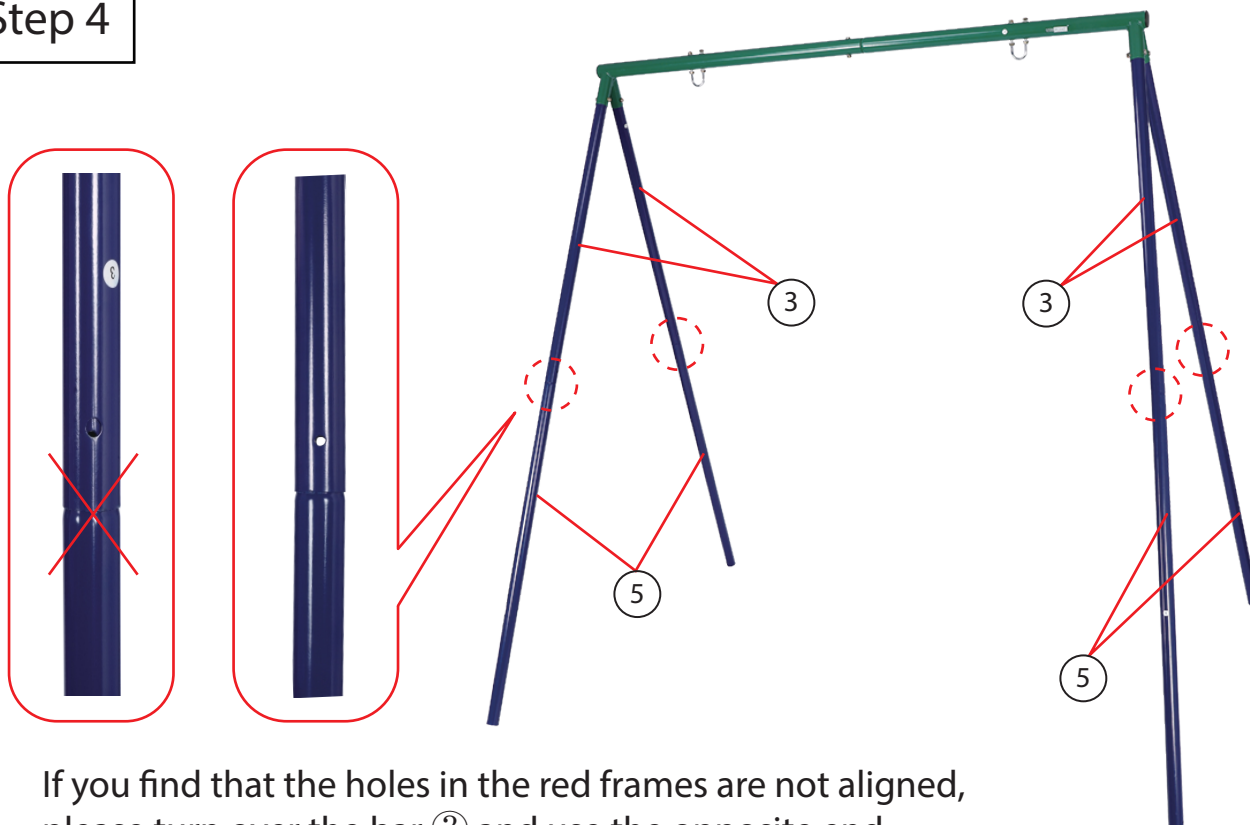


Installation process

Step 3



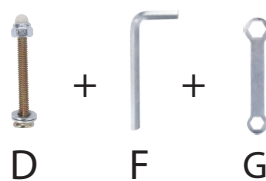
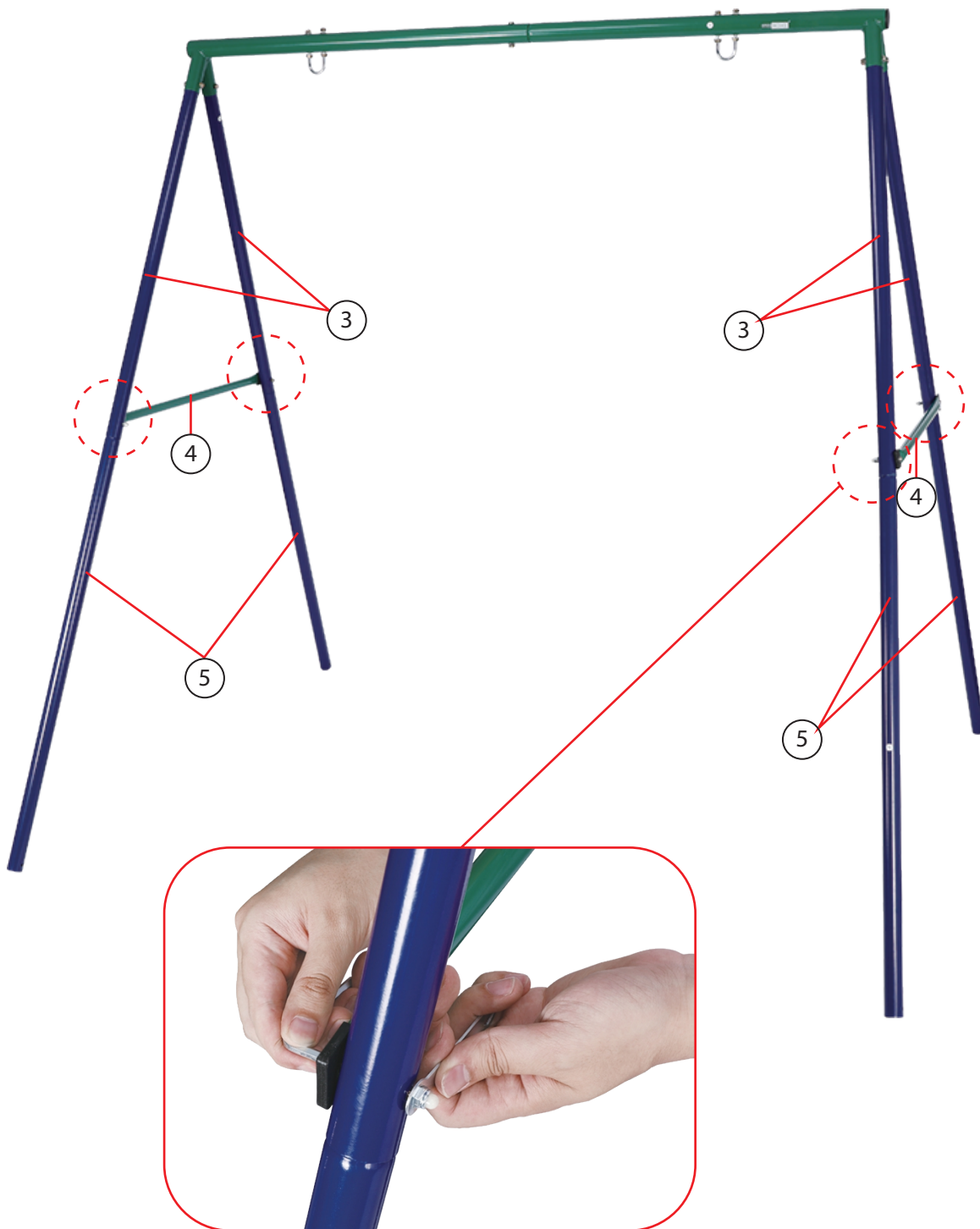
Step 4



If you find that the holes in the red frames are not aligned, please turn over the bar ③ and use the opposite end.

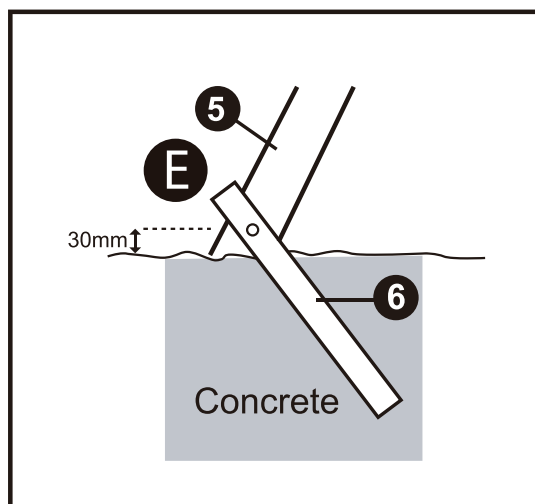
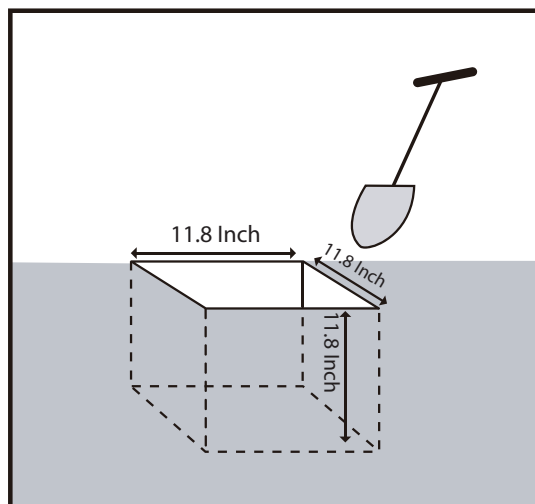
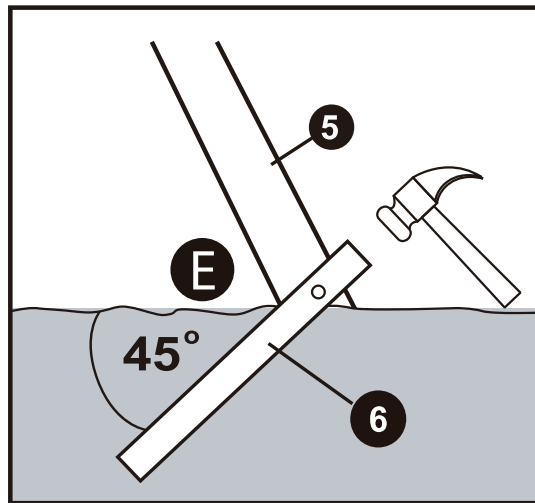
Installation process

Step 5



Installation process

Step 7





NOTE:

To continuously improve its products, VIVOHOME reserves the right to modify this information without prior notification.

For any questions during assembly, please watch the video in the product page for reference. Or contact customer service via **support@vivohome.com** with any questions, comments, or concerns. Thank you for using VIVOHOME products in your home!

Thank You For Purchasing From
VIVOHOME

✉ support@vivohome.com

www.vivohome.com

MADE IN CHINA