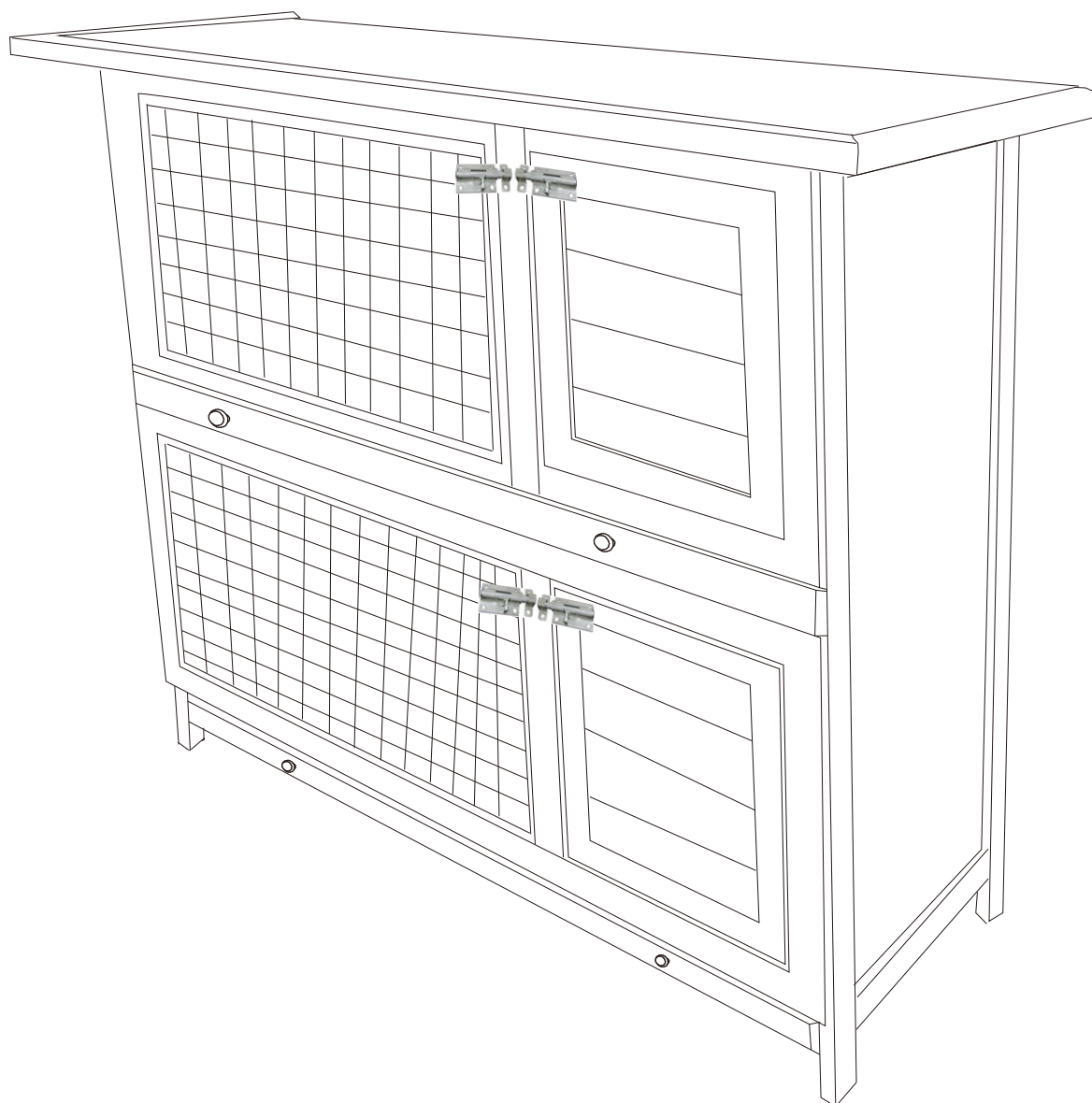


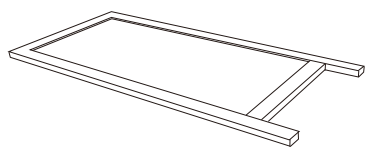
Parv Hut



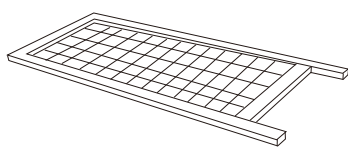
IMPORTANT, RETAIN FOR FUTURE REFERENCE: READ CAREFULLY

ASSEMBLY & INSTRUCTION MANUAL

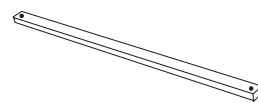
PARTS



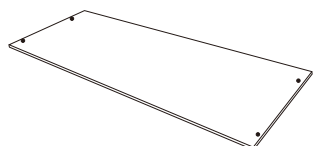
A



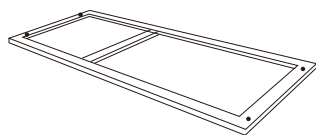
B



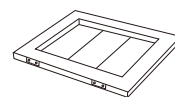
C*4



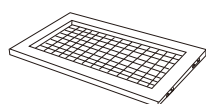
D*2



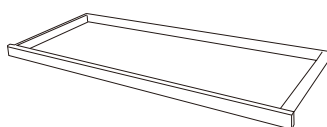
E*2



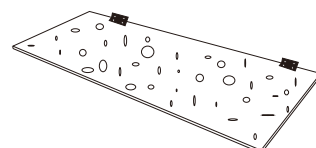
F*2



G*2



H*2



I



J



K*2

HARDWARE



3.5*25mm 8+1pcs

S1



3.5*20 mm 20+2pcs

S2



3.0*18 mm 11+1pcs

S3



3.0*12 mm 4pcs

S4



2.5*10 mm 40+2pcs

S5



4pcs

S6



2pcs

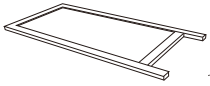
S7



4pcs

S8

A x01



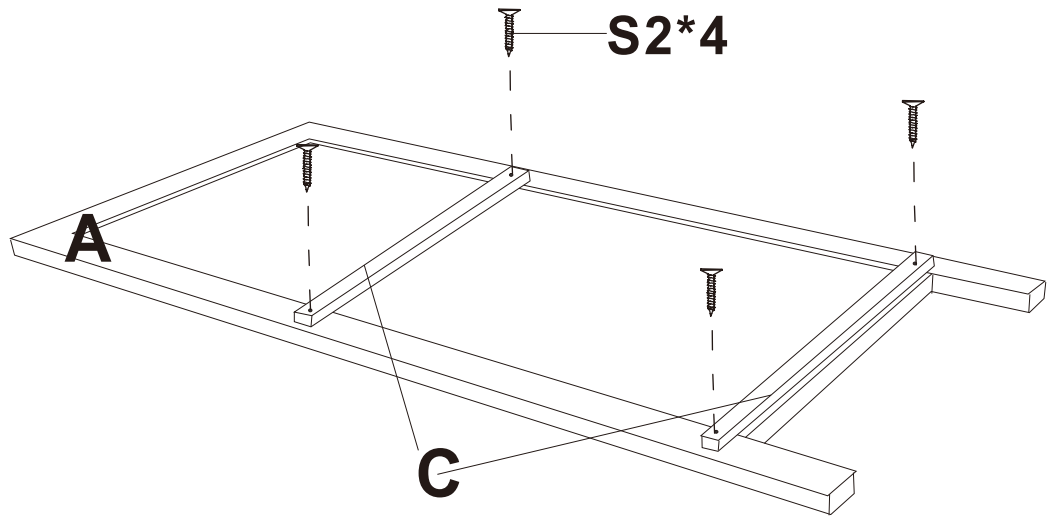
C x02



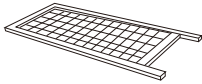
S2x04



3.5*20mm



B x01



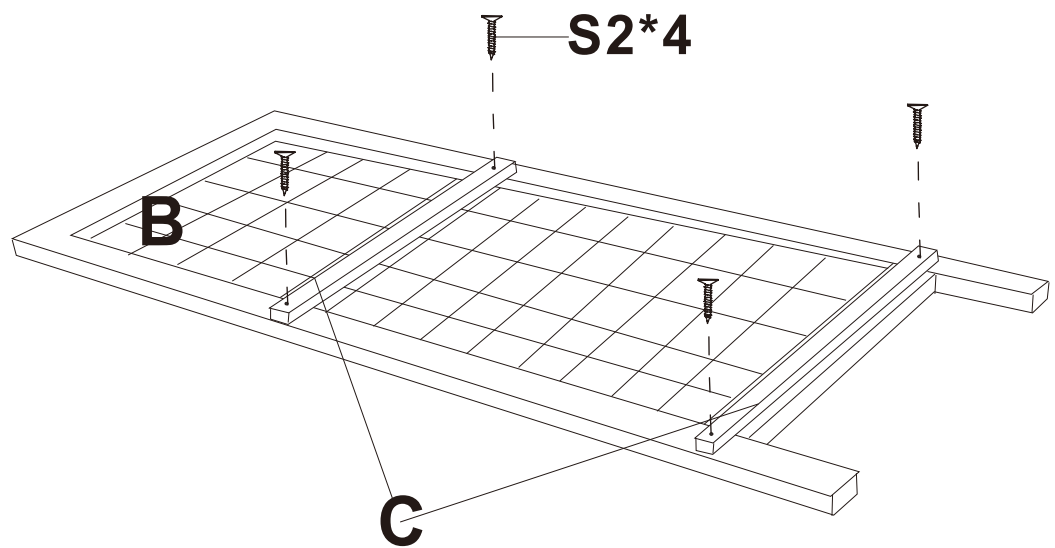
C x02



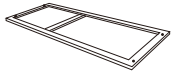
S2x04



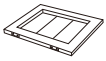
3.5*20mm



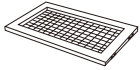
E x02



F x02



G x02



S6 x04



S7 x02



S2 x04

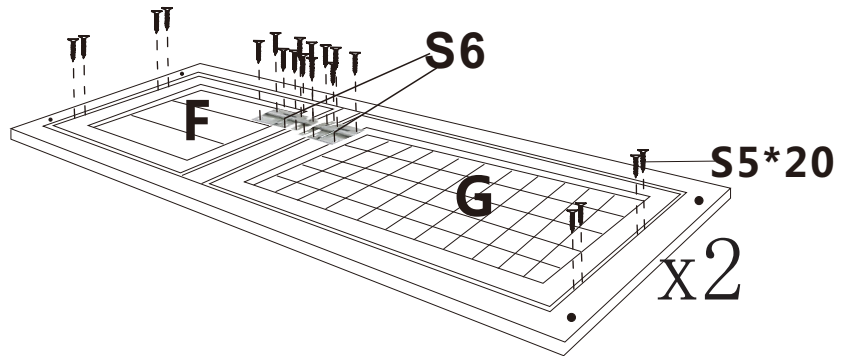
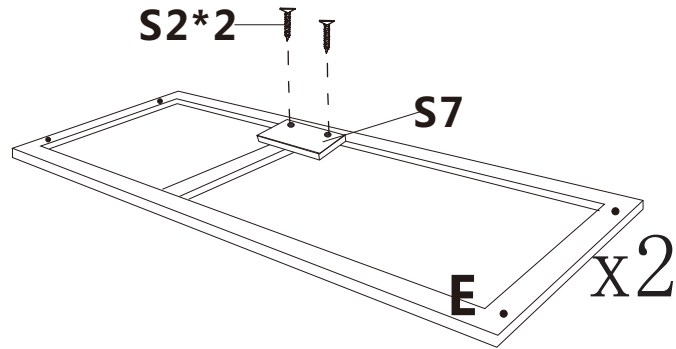


3.5*20mm

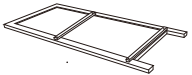
S5 x40



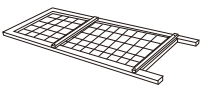
2.5*10mm



01



02



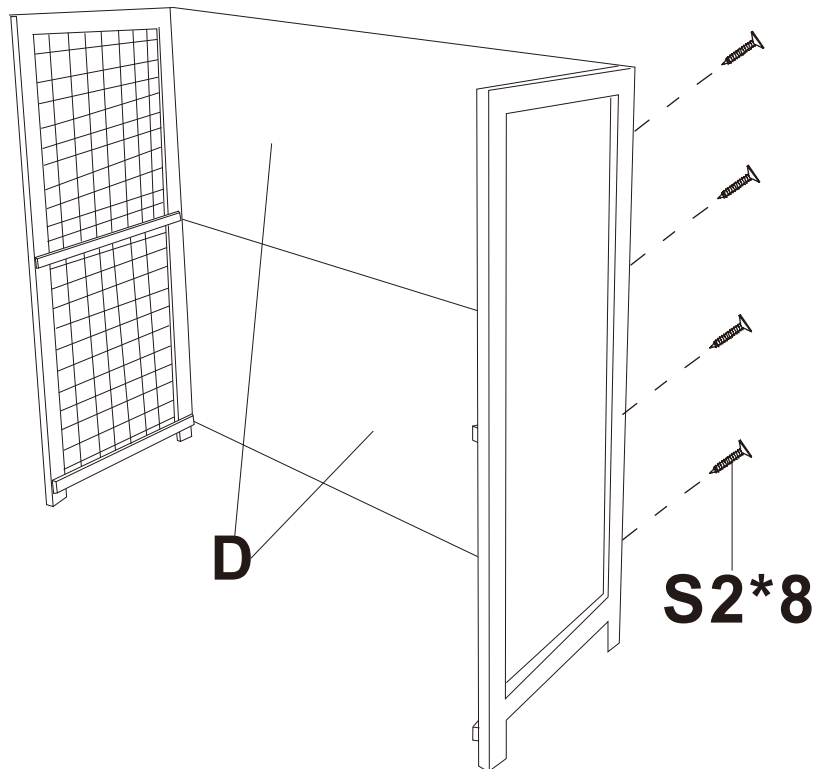
D x02



S2 x08



3.5*20mm



03



04

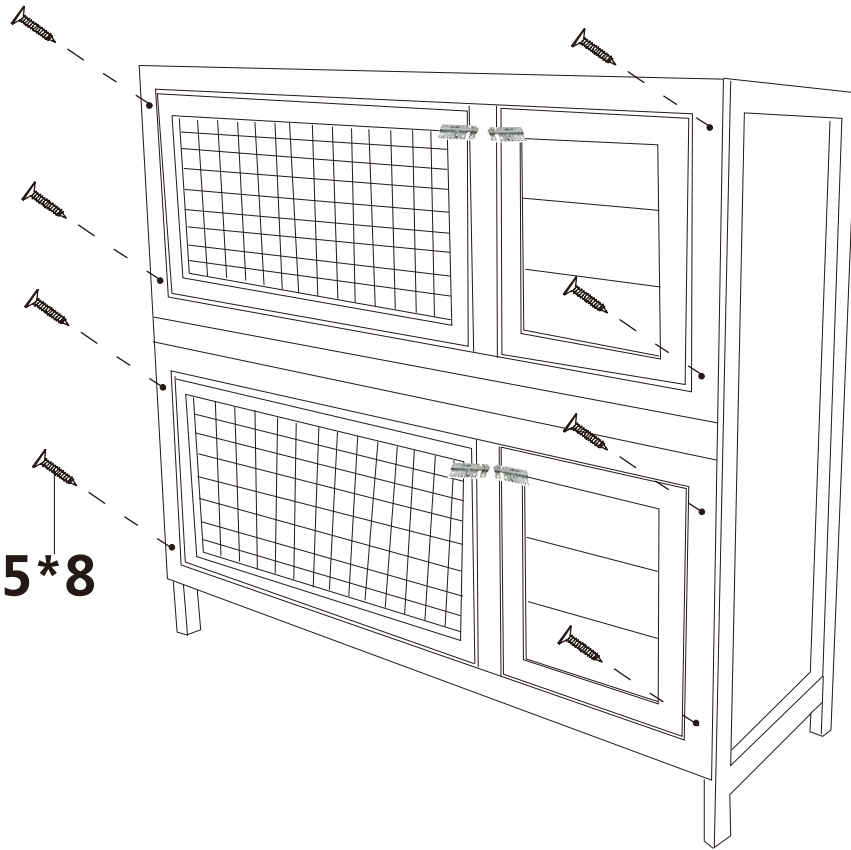


S1x08



3.5*25mm

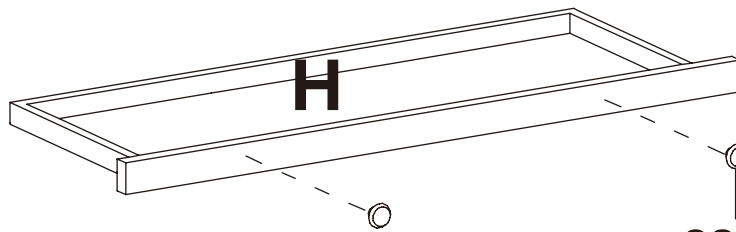
S5*8



Hx02

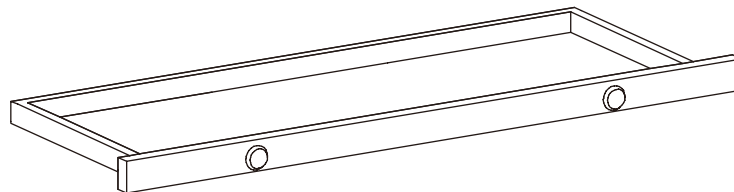


S8x04



S8*2

x2



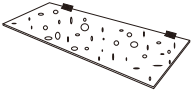
05



06



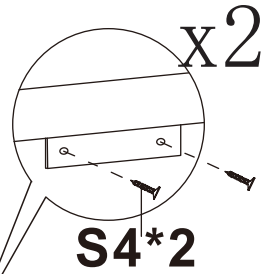
I x01



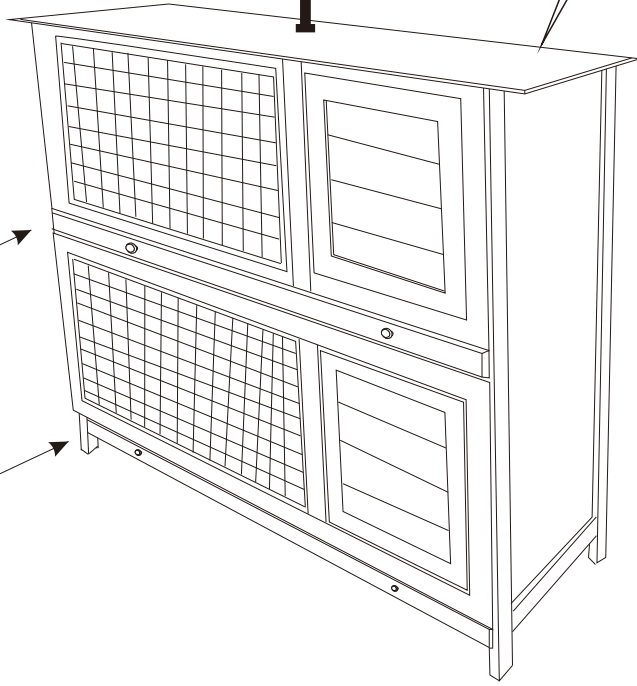
S4 x04



3.0*12mm



I



06



J x01



K x02



S3 x11



3.0*18mm

S3*11

J

K*2

