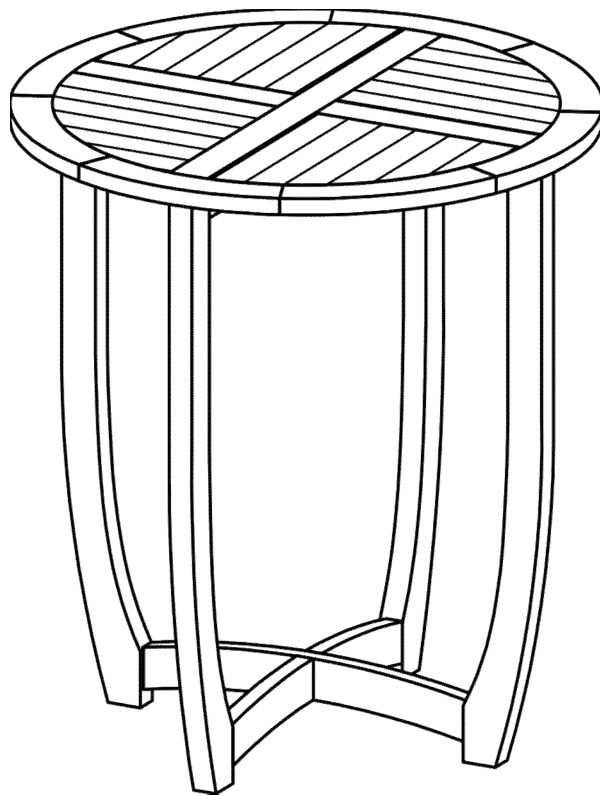


# Assembly Instructions

**Caution: You must read this before you proceed**

**Please look in the leg panel for hardware packs.**

## Table

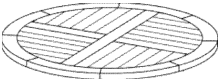

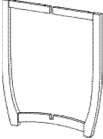


**Caution:** This Table is NOT a TOY.




Keep your child/ children at bay during the assembly process.

For moving the Table and to prevent damage to the Table, two adults may be needed to execute these actions.

# Parts List

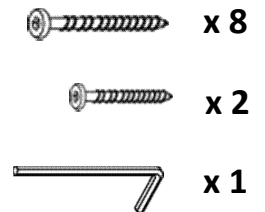
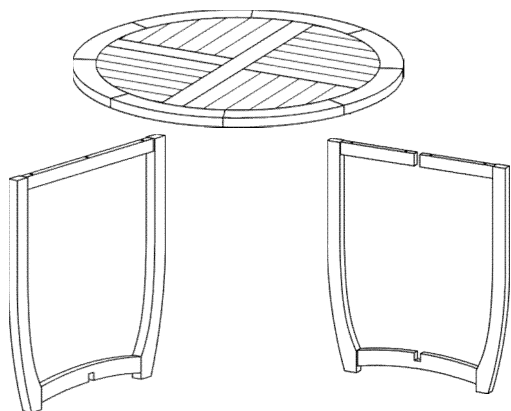
Label	Picture	Description	QTY
A		Table Top	1
B		First Leg Panel (Labeled B)	1
C		Second Leg Panel (Labeled C)	1






## Hardware

Label	Picture	Description	QTY
①		Screws (M6x45mm)	2
②		Screws (M6x60mm)	8
③		Allen Wrench	1

## Assembly Preparation

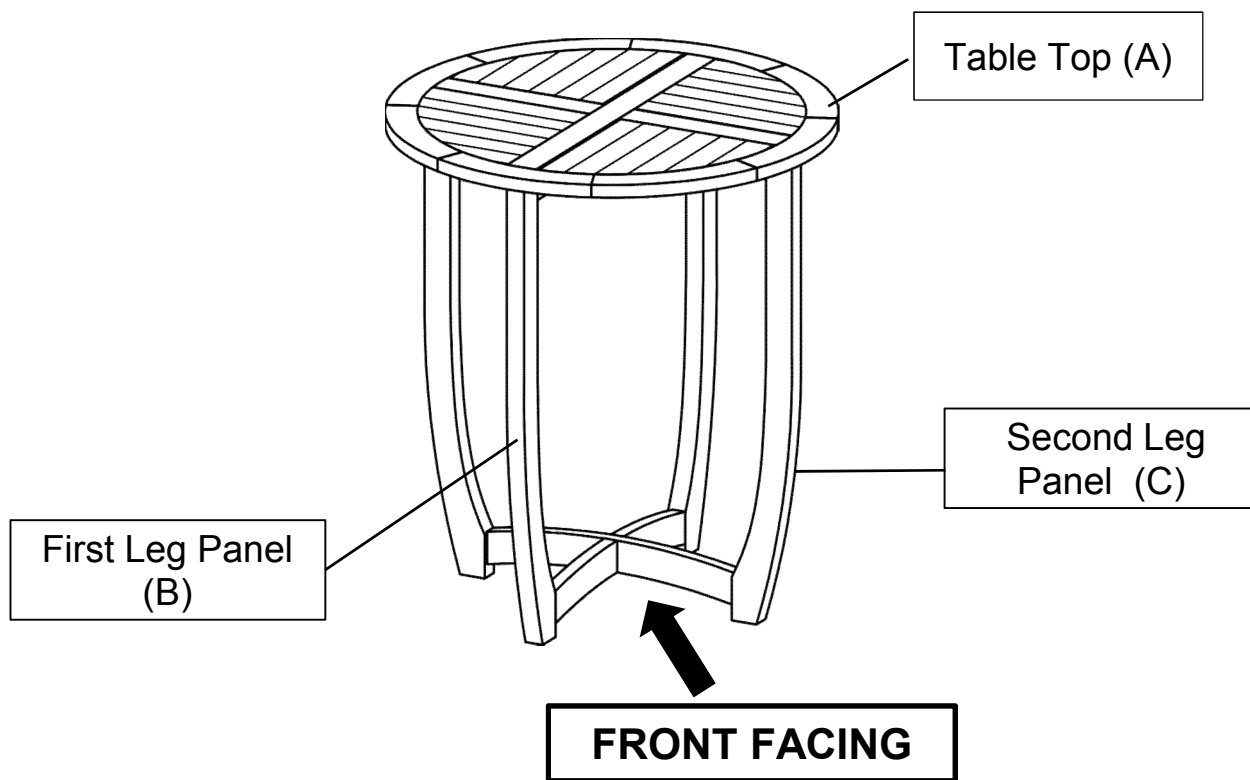
Before Beginning Assembly:



-  • Read instructions, cover to cover-
-  • Have 2 adults on hand for assembly-
-  • Do not assemble on flooring or carpet-
-  • Assemble on a clean non-marring surface (packing foam)-
-  • Save all packaging until finished-

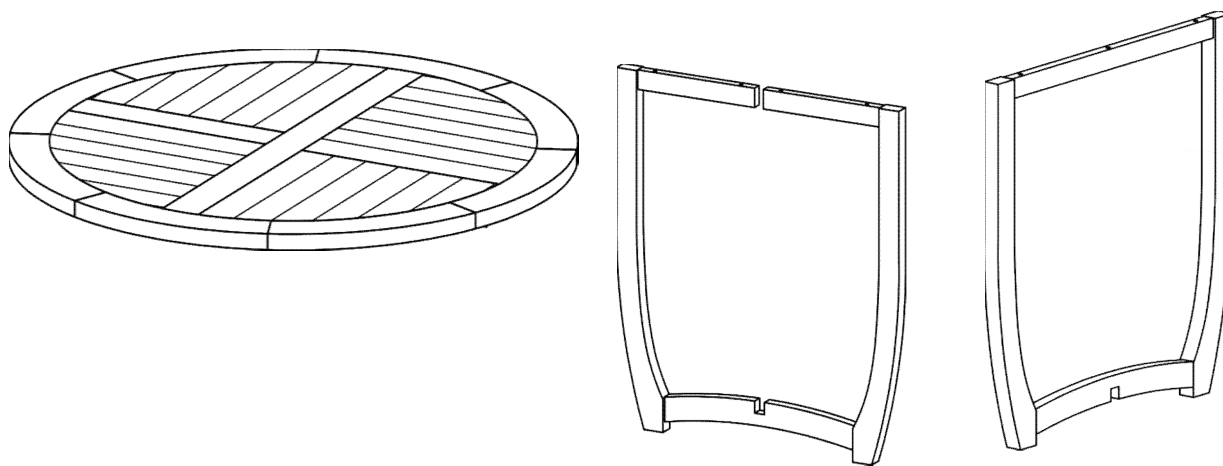
# Assembly Steps

## Overview



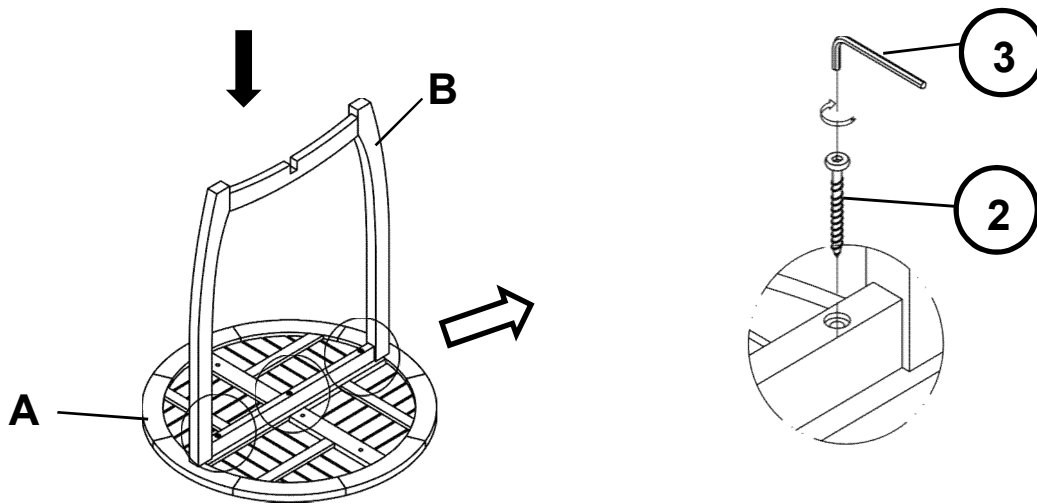
This Table has multiple parts and may require up to 30 minutes to assemble. To give you an overview of the Table parts, the above picture is to help you put the various parts into perspective. Please read through the instructions below to familiarise yourself with the parts and steps before assembly.

## Step 1



Unpack and place all parts on a clean non -marring surface.

## Step 2

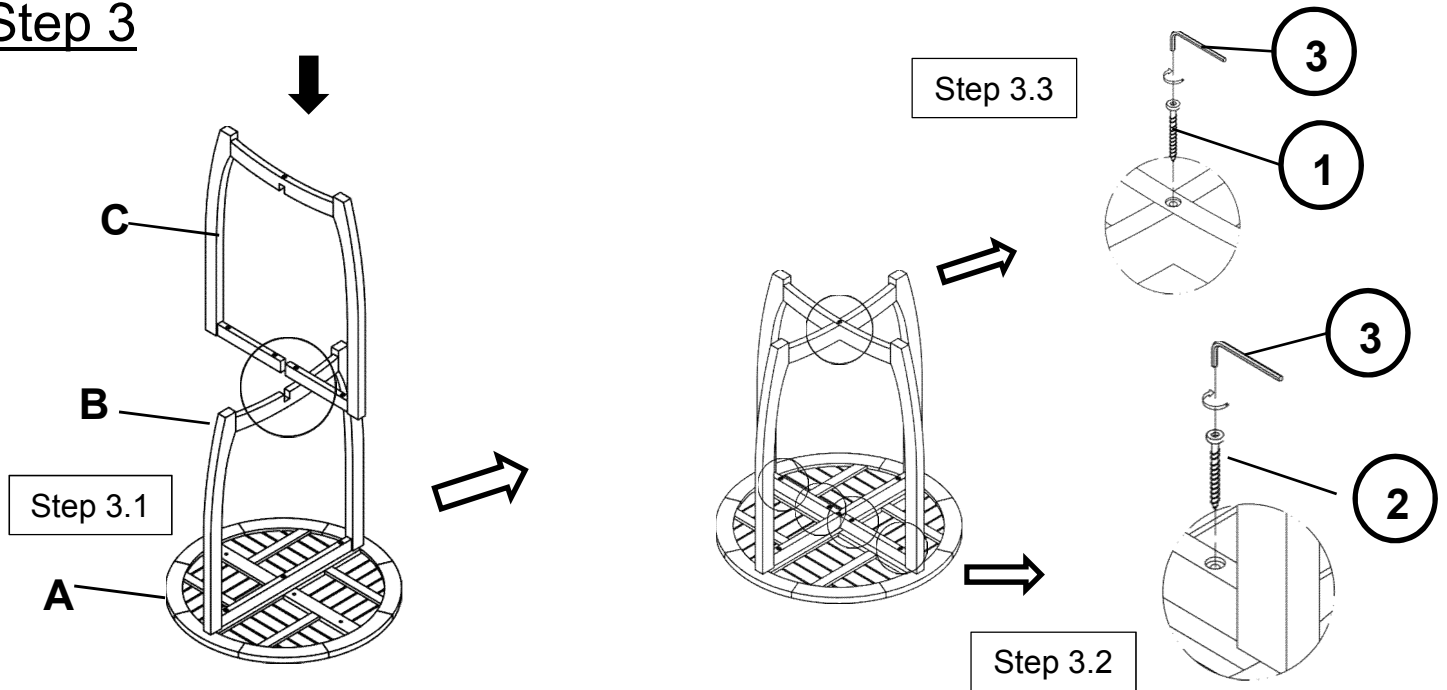


Place the Table Top (A) facedown on a clean, non-marring surface. Position the First Leg Panel (B) onto the Table Top (A).

Insert three Screw (2), through the mounting positions of the First Leg Panel (B) and affix using the Allen Wrench (3)

**Only loosely tighten the Screws.**

## Step 3



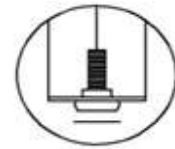
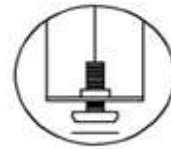
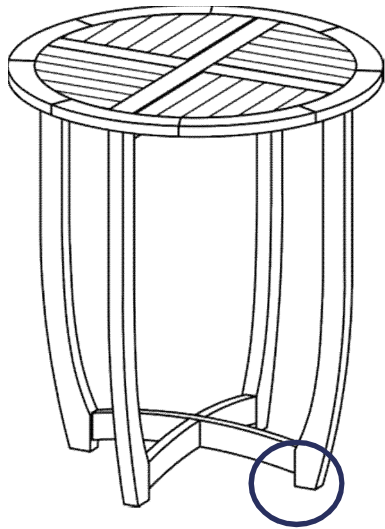
**3.1)** Position separated point of the Second Leg Panel (C) over the First Leg Panel (B) onto the Table Top (A).

**3.2)** Insert four Screws (2) through the mounting positions of the Second Leg Panel (C) into the Table Top (A) and affix using the Allen Wrench (3)

**3.3)** Affix First Leg Panel (B) and Second Leg Panel (C) using Screw (1) with Allen Wrench (3)

**Only loosely tighten the Screws.**

## Step 4



Adjust high for balance

Adjust low for  
balance

Adjust Pre-installed Levelers  
height for balance

With assistance from your adult partners, Turn the Table over.

EXERT pressure, floorwards onto the Table with both hands. This pressure will help the Table reach full alignment at all joints. Check for wobbles.

In a sequential manner, gradually tighten all Bolts and Screws at all joints until evenly secured. Inspect Table and make sure all parts are adequately connected.

**CAUTION: When tightening the Screws, and Bolts tighten sequentially.**

**DO NOT** tighten any Bolt, or Screw fully and then move towards the next one. This could cause the frame to warp.










If there are still wobbles, loosen the Screws and Bolts and execute the same above process. With assistance from your adult partners, adjust the Levelers to the desired height to avoid wobbles.

**If the Table is not stable, it could lead to damage to the product.**

**Your Table is ready for use.**

**This Table can only be used on a flat, level surface.**

## Care & Maintenance

- ⊘  ● Do not put hot items directly on furniture surface
  - ⊘  ● Do not clean furniture with harsh cleansers or polish.
  - ✓  ● To obtain the longest lifespan of your outdoor products, minimizing exposure to direct sunlight is recommended.
  - ⊘  ● Children should not climb or jump on the furniture.
  - ⊘  ● Do not write on furniture without a padded barrier to protect the surface.
  - ✓  ● To obtain the longest lifespan of your outdoor products, avoid extended and lengthy exposure to rain, snow, and direct sunshine. Whenever possible cover the product and /or place under patio or awnings.
  - ⊘  ● Not for commercial use. For residential use only .
  - ⊘  ● Stains may be removed with mild soap solution and damp cloth.
- 
- ✓  ● Dust and pick-up spills using a clean, non-colored, lint-free cloth .