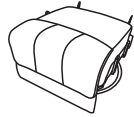


## Parts List-A

**A** 1xSeat



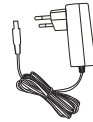
**B** 2xBack Wings



**C** 2x Arm Pads



**D** 1xPower Kit



**E** Remote Control



**F** X2 Cup Holder



## Parts List-B

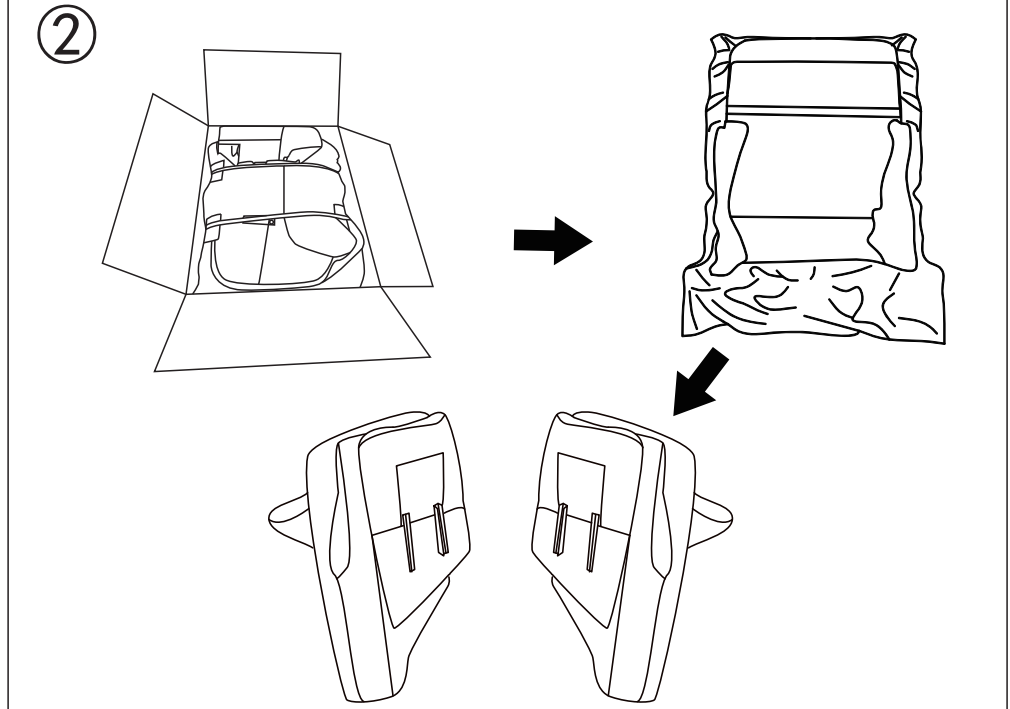
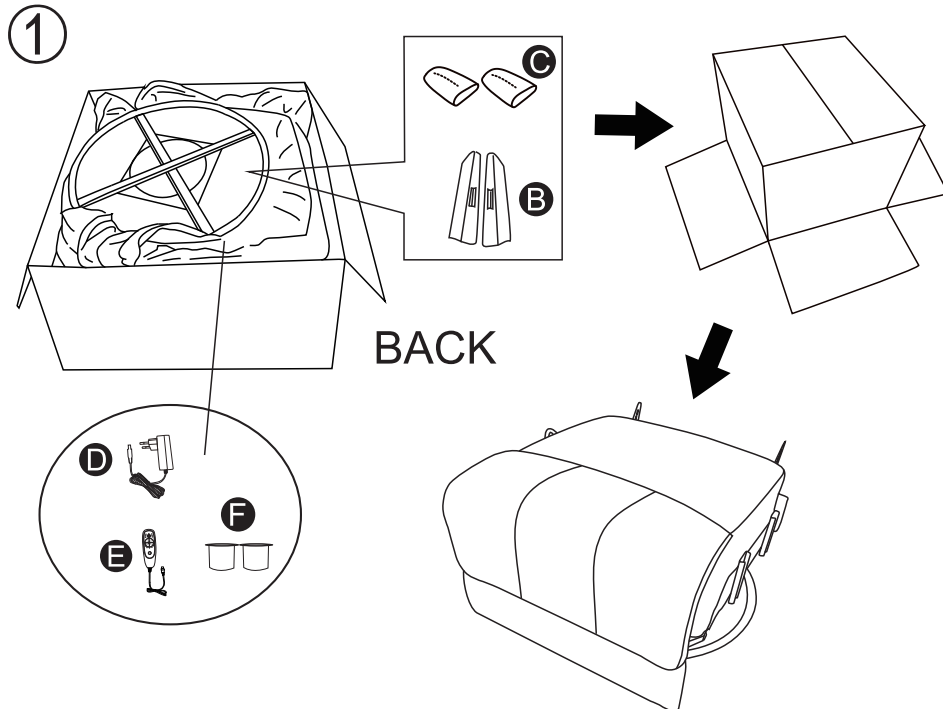
**G** 1X Backcover

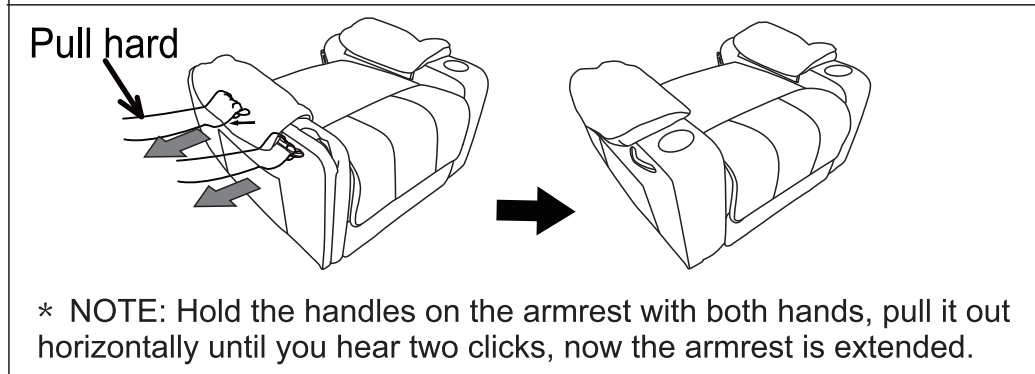
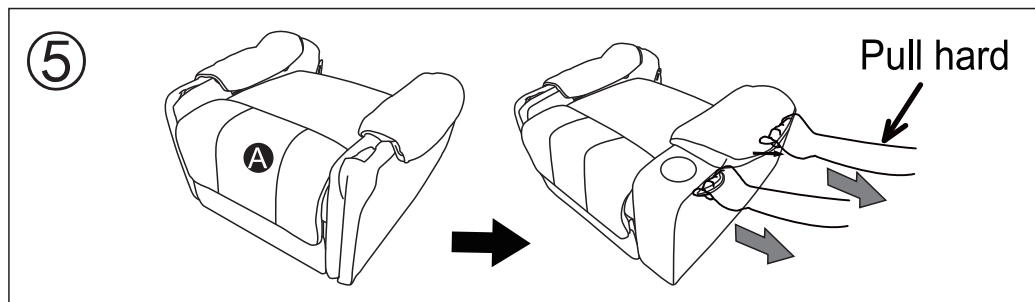
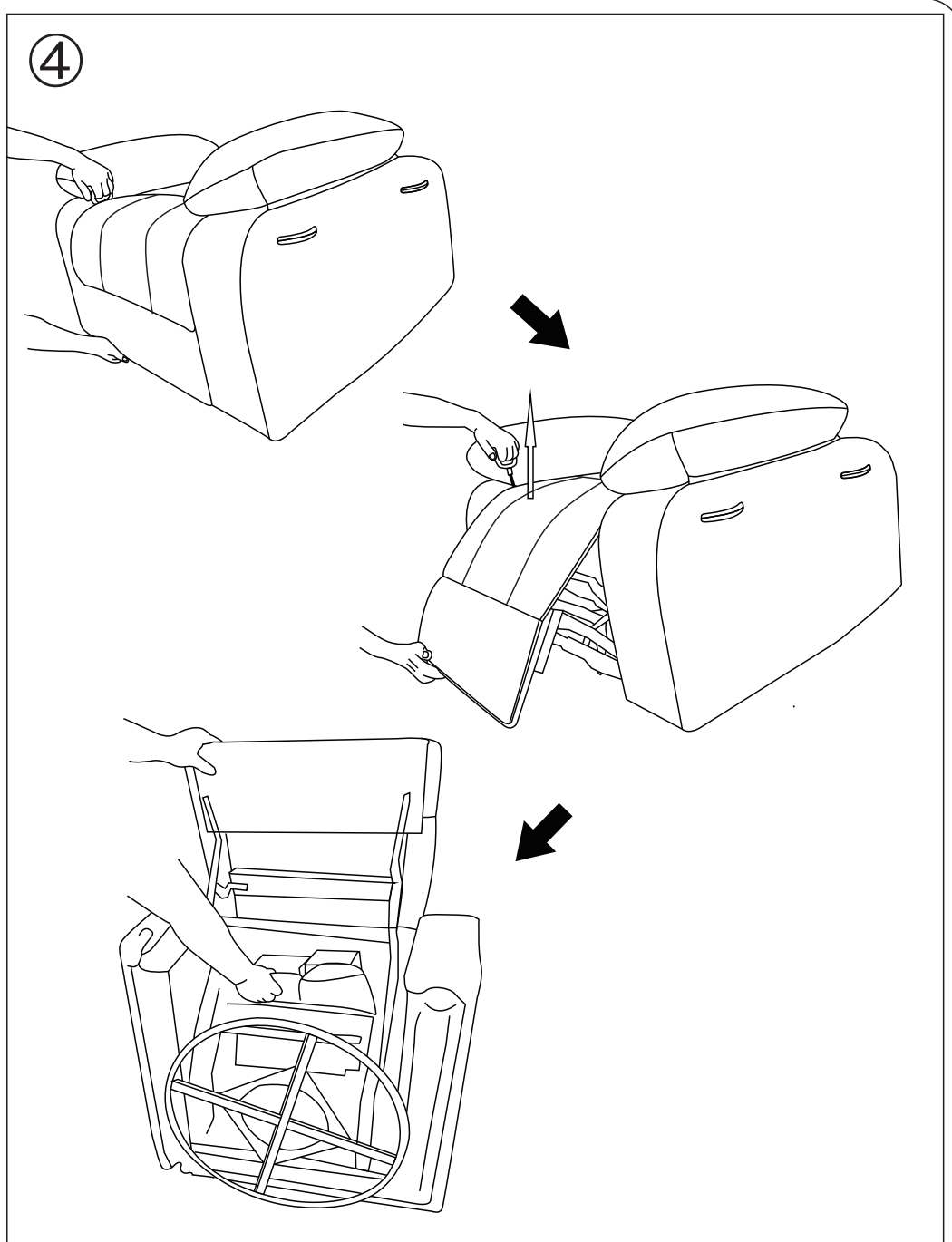
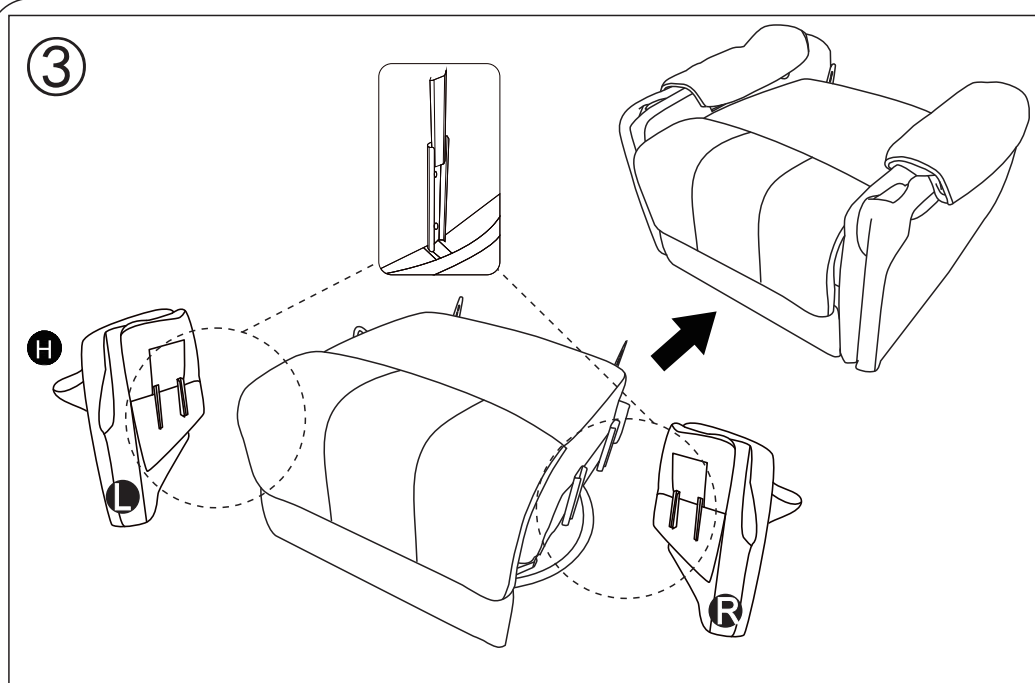


**H** 2X Arm

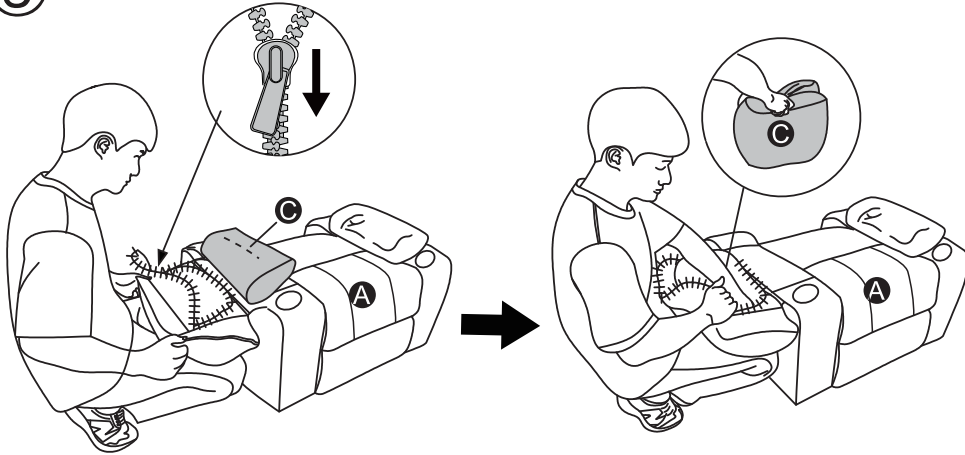


**I** 1X Back





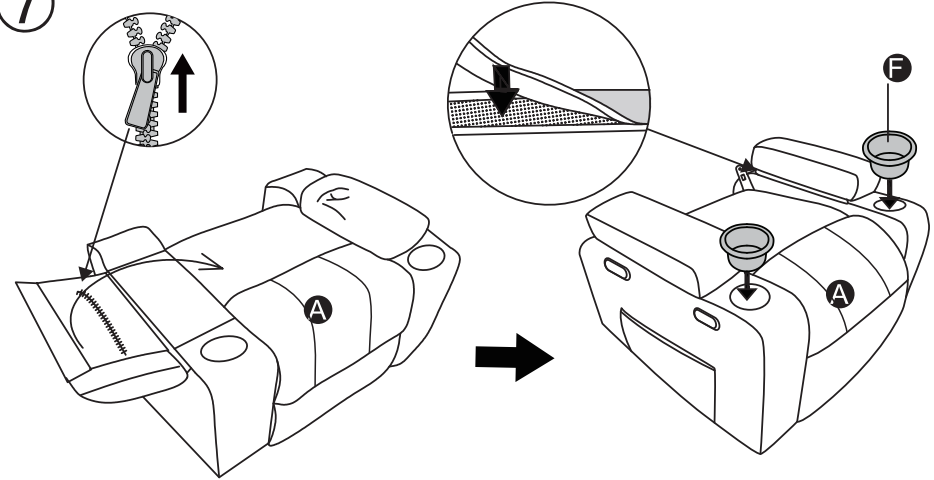
6



Unzip up the armrest cover.

Insert the armrest insert into the armrest cover.

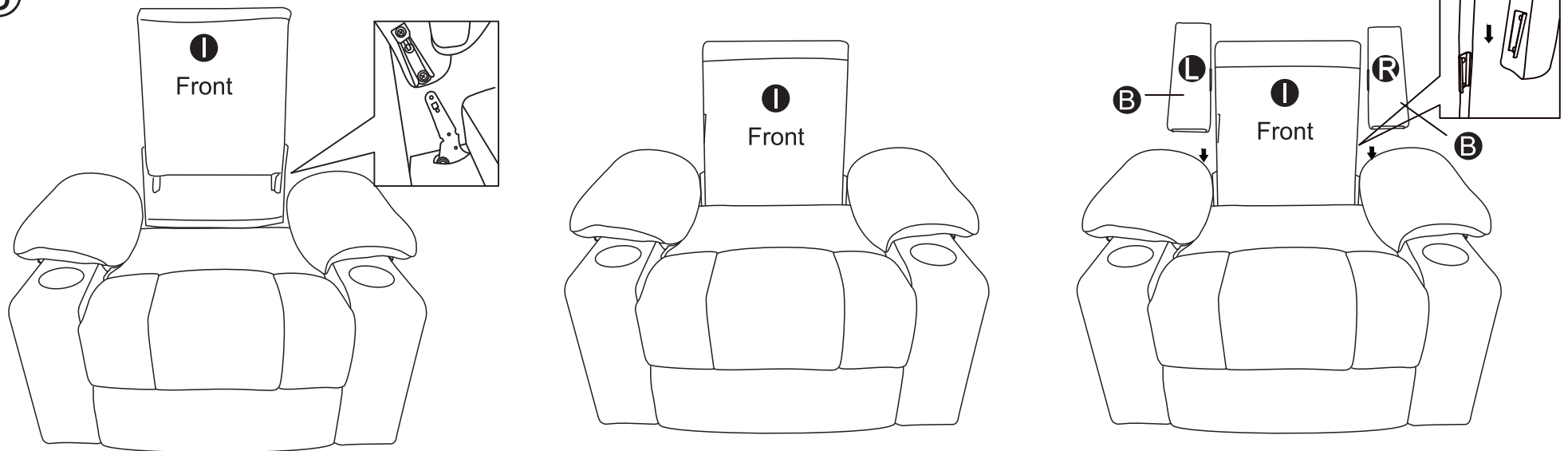
7



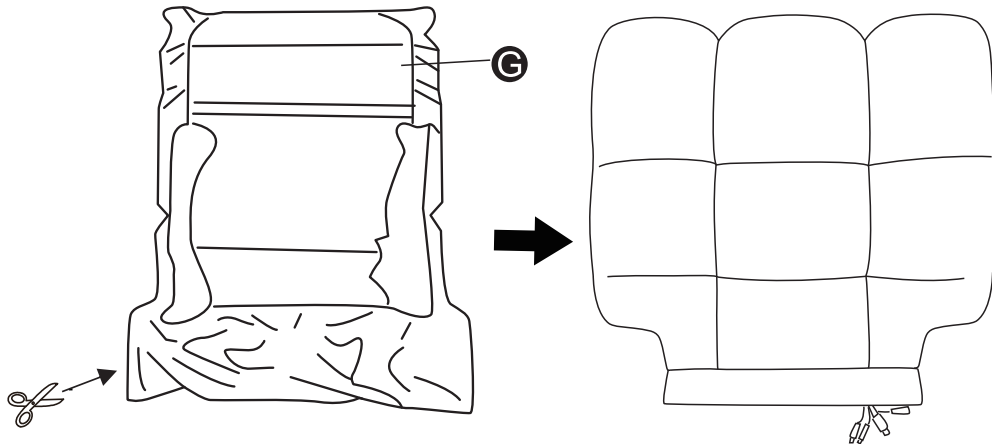
zip up the armrest cover.

Stick the armrest cover to the armrest and then install the cup holders.

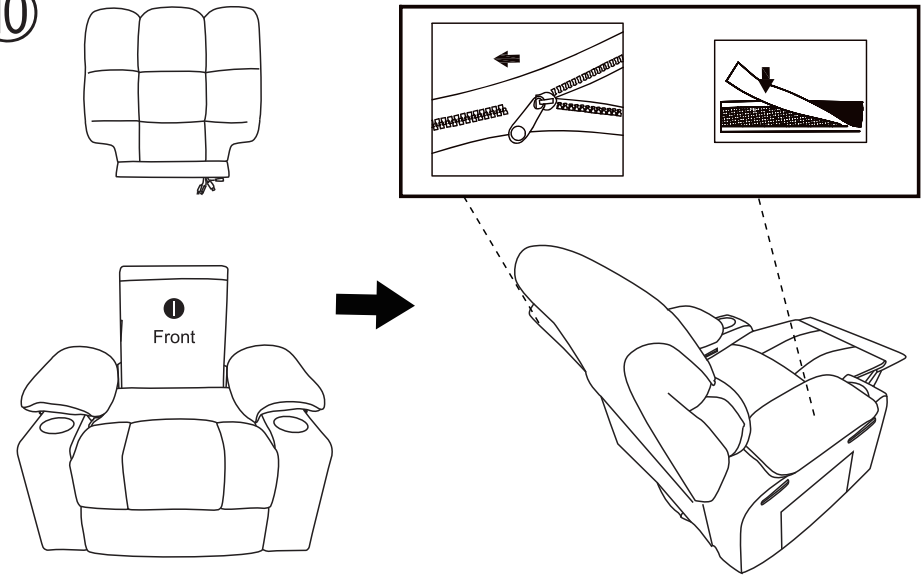
8



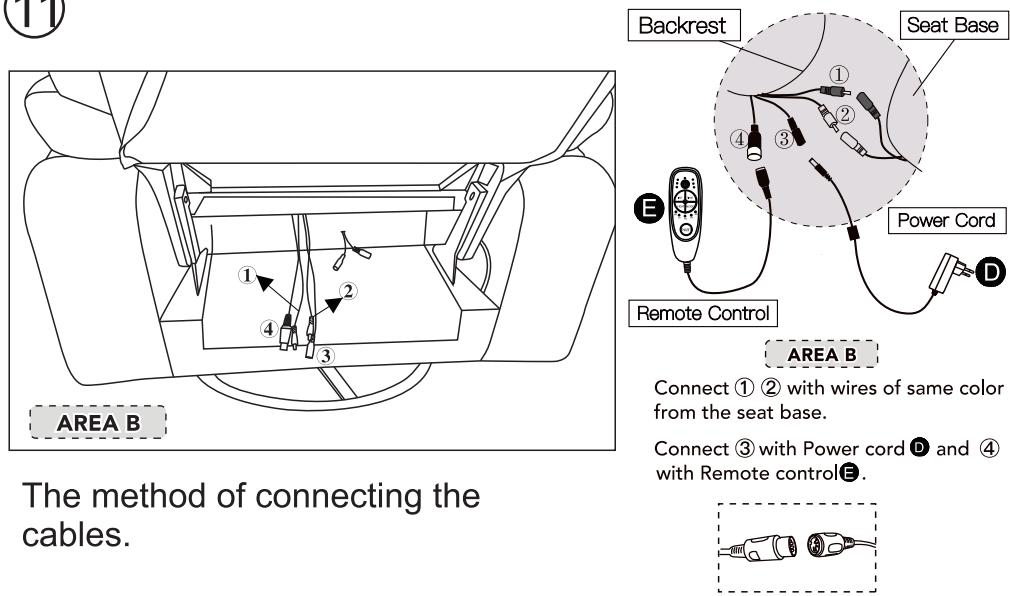
9



10

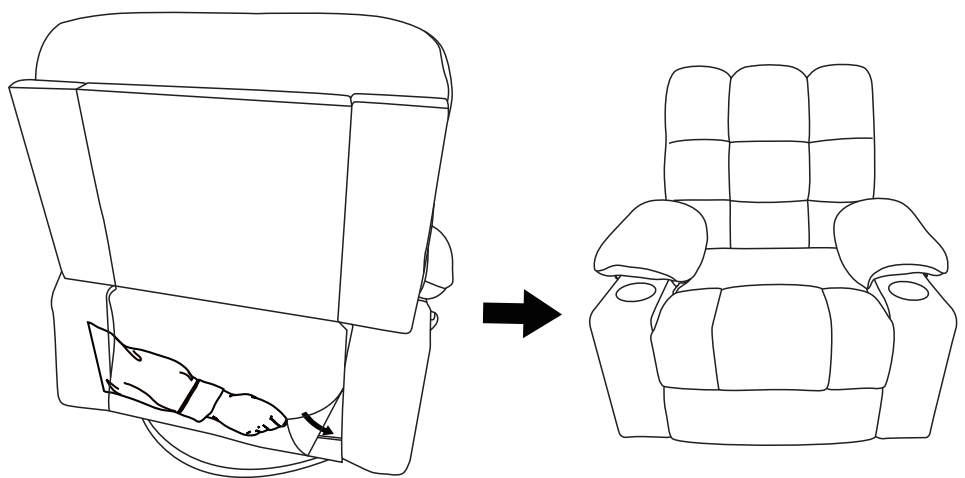


11

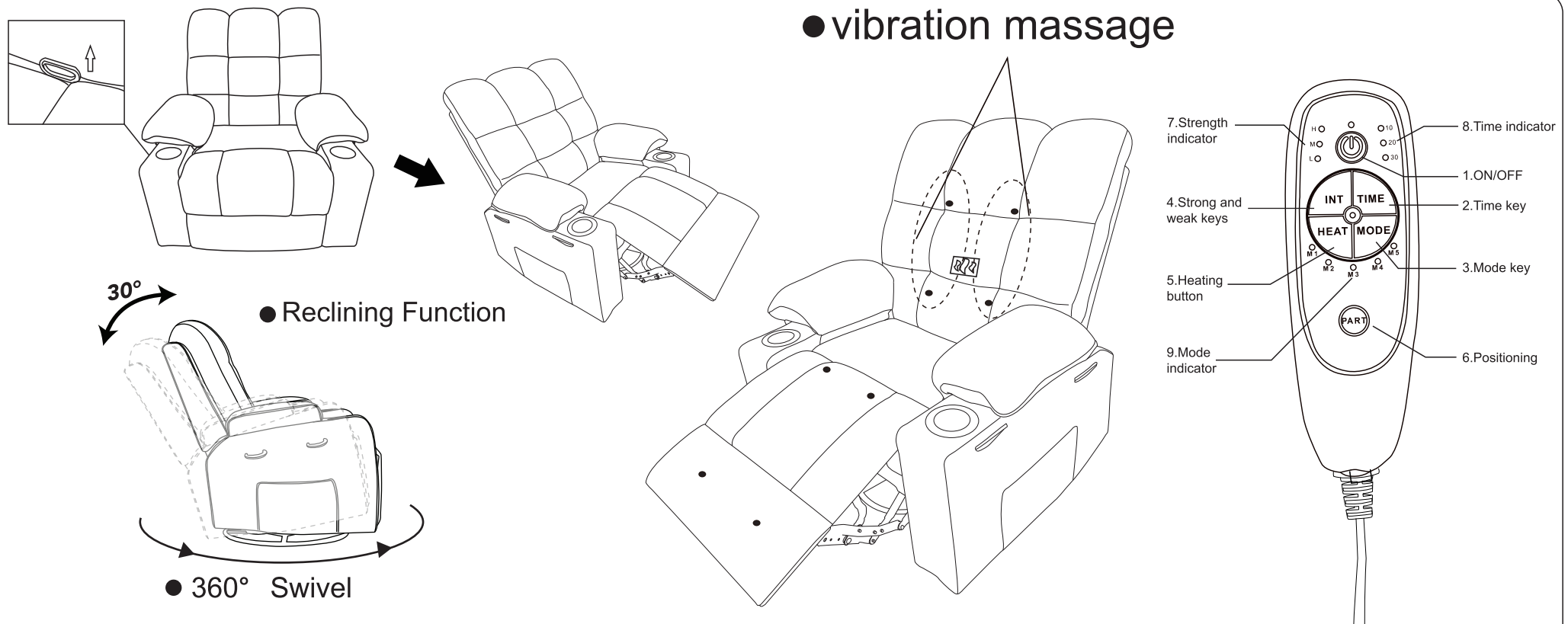


The method of connecting the cables.

12



 You've put in the effort—now enjoy the rewards!



## ● vibration massage

## ● Reclining Function

30°

## ● 360° Swivel

### I 、 Specifications of power adapter

Power on in standby state. The user can realize the function through the hand controller control  
 Input :AC 100-240V, 50Hz/60HZ; Output: DC12V1A.

### II 、 Product features

1. Motor vibration at position 8
2. 1-way heating plate
3. Three-segment timing, the default timing shutdown time is 10Min
4. 3rd gear vibration intensity
5. 5 vibration modes

### III、 Function details

1. ON/OFF: Switch on and of
2. TIME: Positioning cycle by massage time (10/20/30 min) , Boot default 10min
3. MODE: Tap the five vibration modes to switch ( M1/M2/M3/M4/M5 ),The default startup mode is M4
4. INT: Switch point by vibration intensity ( H/M/L) ,Boot the default M file (medium Files)
5. HEAT: Click heating switch circulation
6. PART: Vibration positioning key , Boot the default vibration is full on, tap to switch to a single part vibration
7. Strength indicator
8. Time indicator
9. Mode indicator