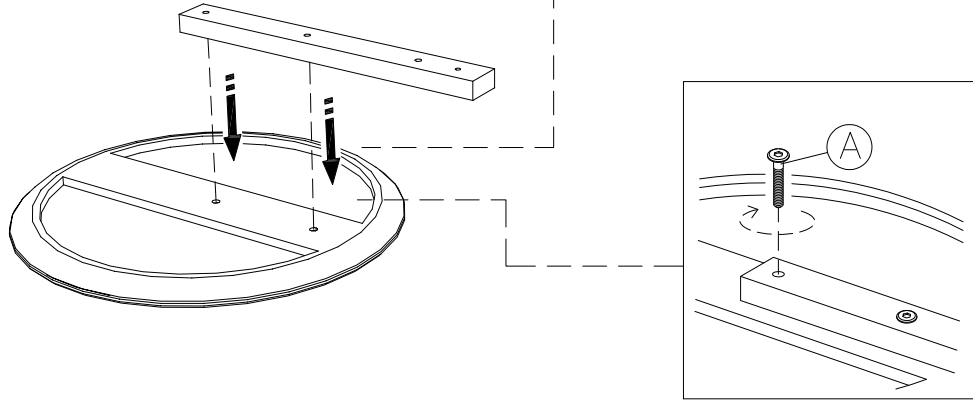


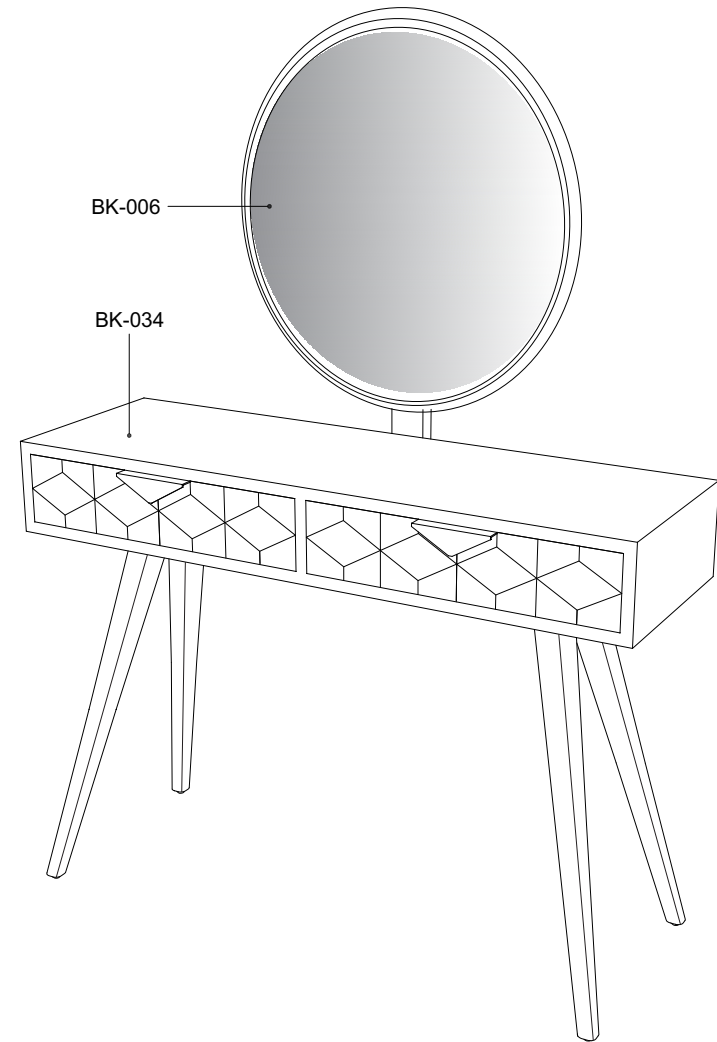
ASSEMBLING INSTRUCTION

STEP 1

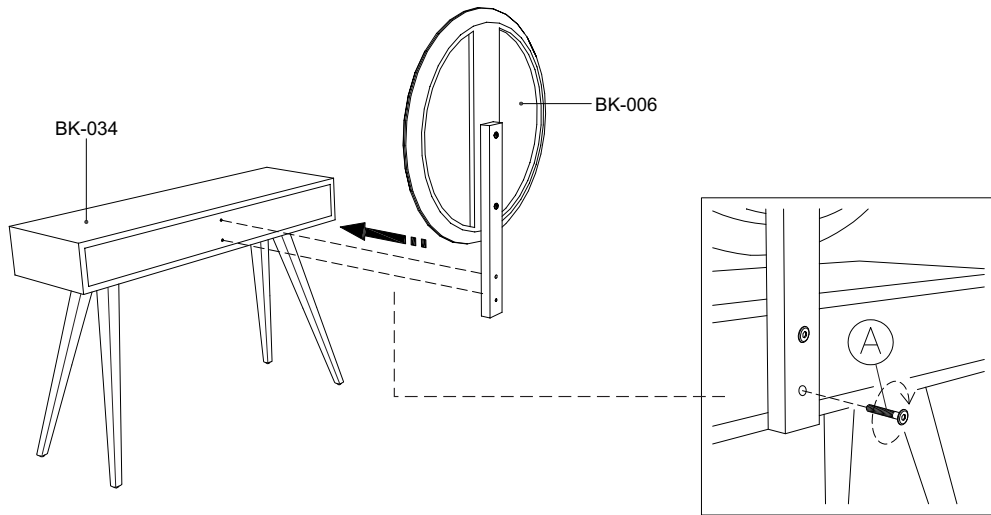
XXXX-BK006-XXX-XX XXXX-BK006-XXX-XX Match Similar Sticker Code on All Parts



READY

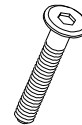


STEP 2



HARDWARE

KD BOLT
A = M6 x 40mm = 4 pcs



ALLEN KEY 4
1 pcs

