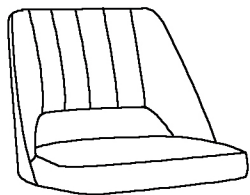
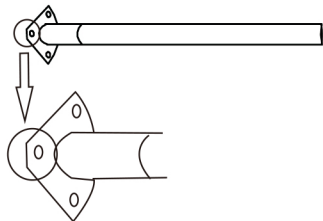


ASSEMBLING INSTRUCTION

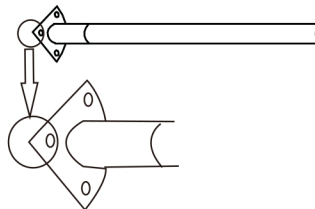
① × 1



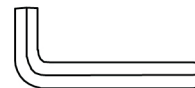
② × 2



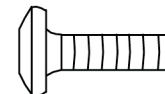
③ × 2



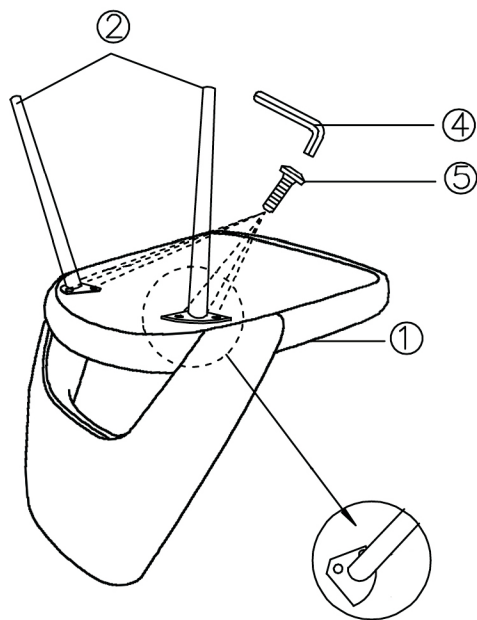
④ × 1



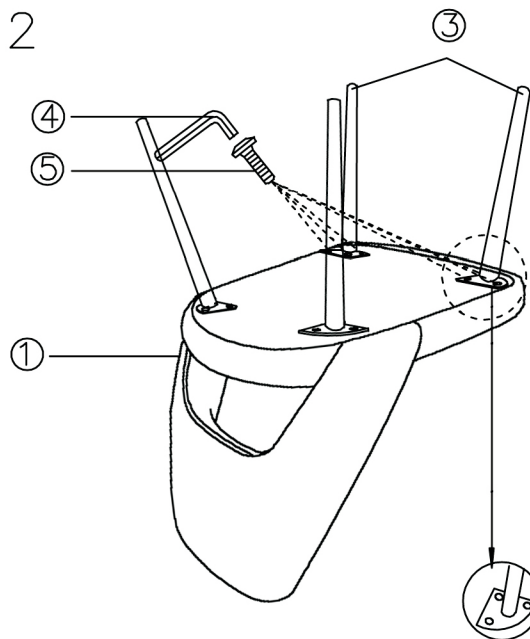
⑤ × 12 (M6*18mm)



1



2



3

