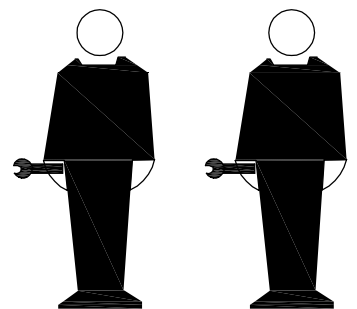
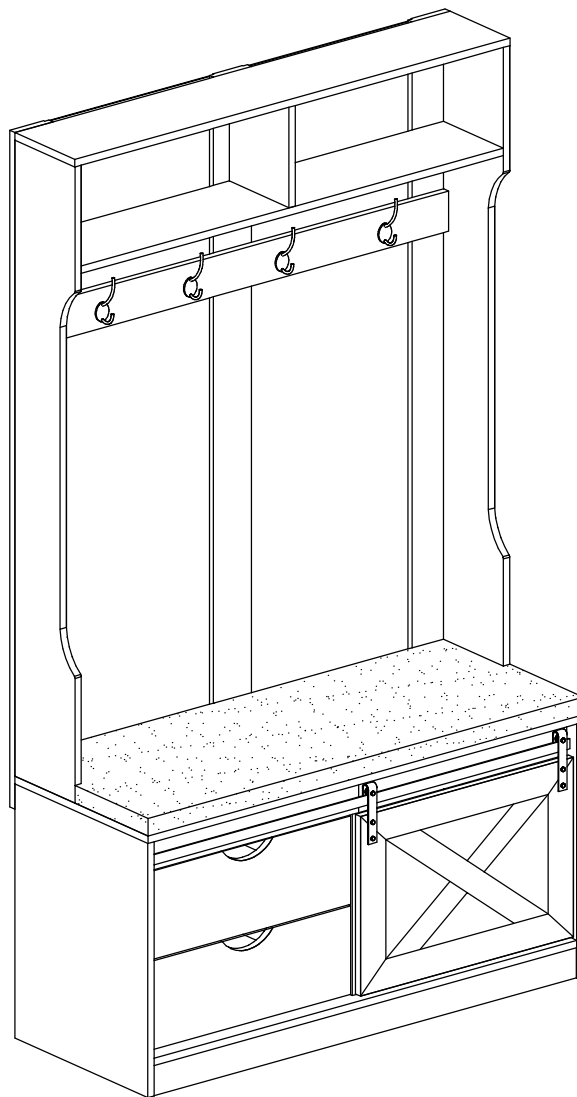


ASSEMBLY INSTRUCTION

MODEL#WB002-2

Thank you for purchasing the quality product. Be sure to check all packing material carefully for small parts which may have come loose inside the carton during shipment. Separate, identify and count all parts and metal hardware. Compare with all parts list to be sure all parts are present. If any part(s) are missing or damaged, please contact your local furniture dealer. For efficient and speedy service, please indicate the model number and code letter of part(s) needed.

*****Do not fully tighten screws until fully assembled*****

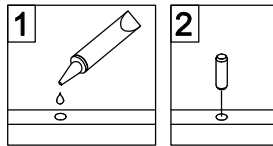


Attention:

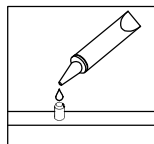
*****Some number parts listed on the instruction sheet may not be in parts bag as they may already be assembled. Carefully check parts and packing materials prior to ordering replacements.**

General Assembly Guidelines

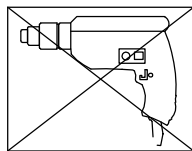
- I. Ensure that all parts and hardware are available before beginning assembly.
- II. Follow each step carefully to ensure the proper assembly of this product.
- III. Two people are recommended for ease in the assembly of this product.
- IV. The three main types of hardware used to assemble this product are: wood dowels, screws and bolts.
- V. The provided glue is to secure wood dowels in place. When first inserting dowels, locate the appropriate hole for the dowel, place a small amount of glue in the hole and insert the dowel. Wipe away excess glue immediately.



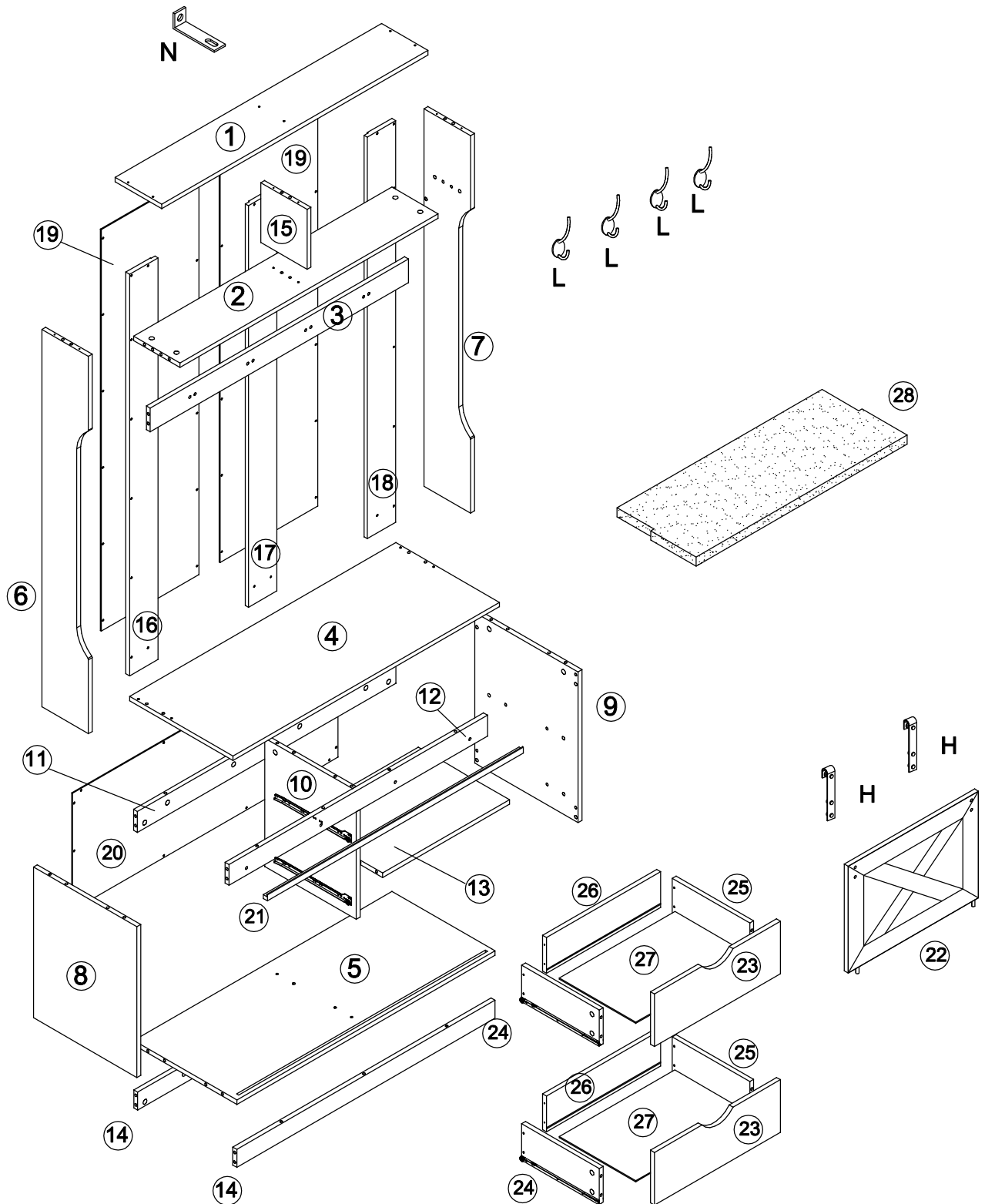
In future assembly steps when dowels are necessary to attach assembly parts together, place a small amount of glue on the end of the dowel before attaching parts together. Wipe away excess glue immediately.




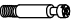





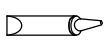


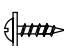
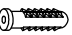


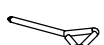
- VI. Power tools should not be used to assemble this product.



COMPONENT PARTS

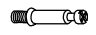




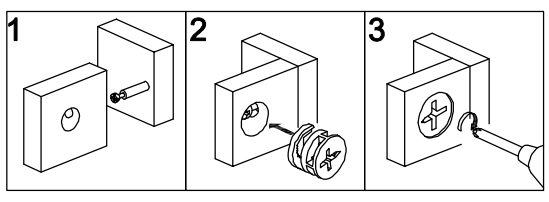
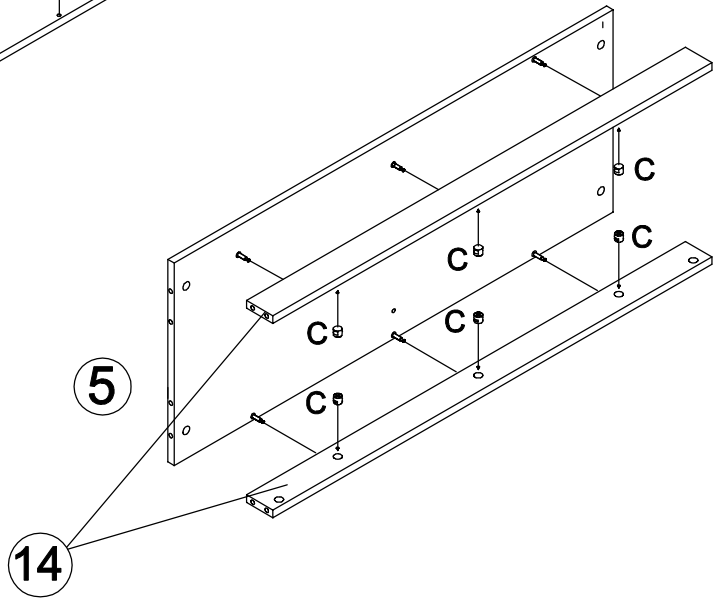
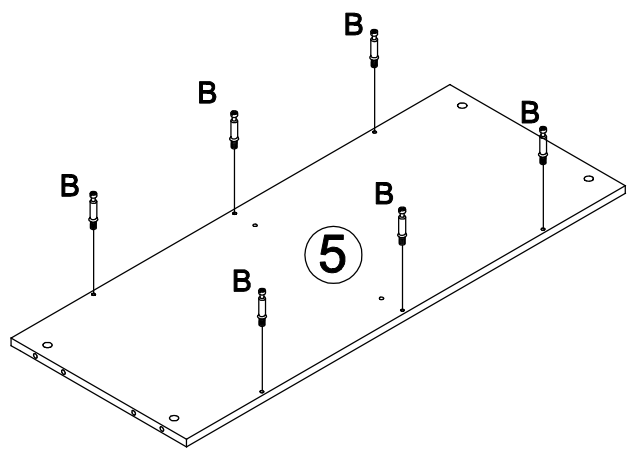
Hardware List

A		Ø8x30mm	Wooden dowel	40 pcs
B		Ø6x35mm	Cam bolt	52 pcs
C		Ø15x12mm	Cam lock	52 pcs
D			Sticker	12 pcs
E		Ø6x50mm	Screw	14 pcs
F		Ø4x30mm	Screw	32 pcs
G		4mm	Allen Key	1 pcs
I			Glue tube	1 pcs
J		Ø1/4"x12mm	Bolt	5 pcs
K		Ø1/4"x25mm	Bolt	7 pcs
M		Ø3.5x12mm	Screw	38 pcs
O			Wall anchor	1 pcs
P		Ø4*30mm	Screw	1 pcs
Q		Ø6mm	Washer	1 pcs
R			Philips head screwdriver	1 pcs


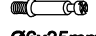

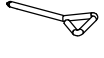
*The hardware quantities listed above are required for proper assembly.
Some extra hardware may also have been included.*

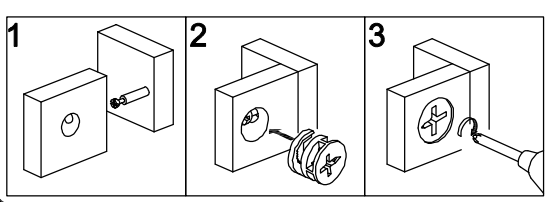
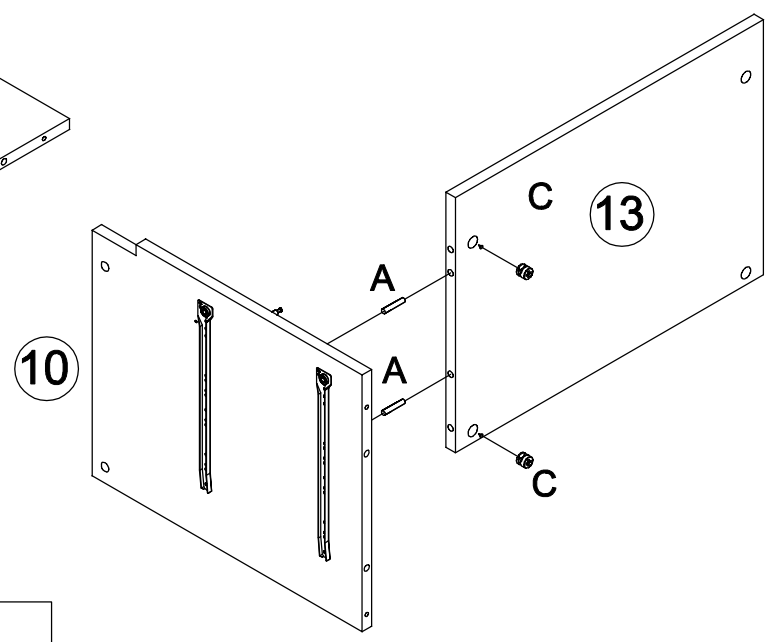
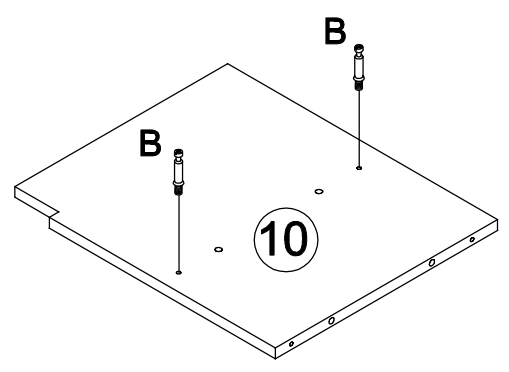
Step 1

B x 6  Ø6x35mm	C x 6  Ø15x12mm	R x 1 
--	---	---

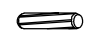




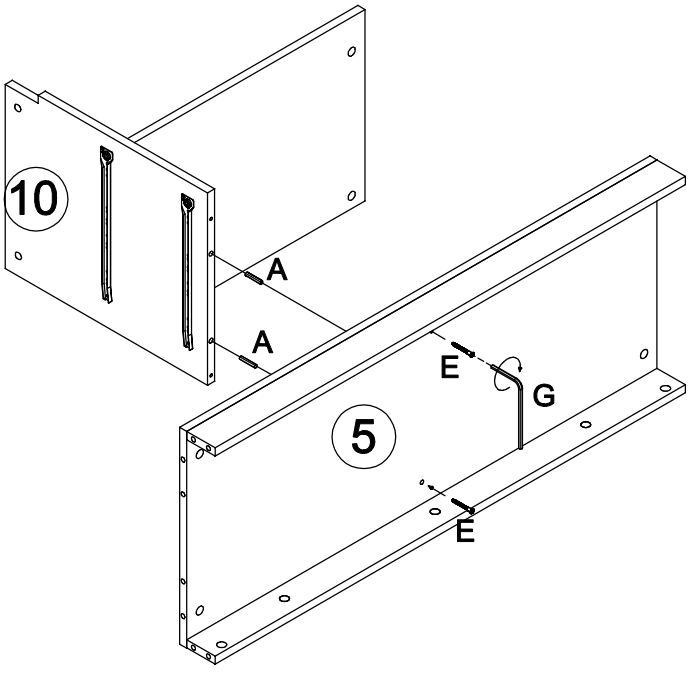
Step 2

A x 2  Ø8x30mm	B x 2  Ø6x35mm	C x 2  Ø15x12mm	R x 1 
--	--	---	---



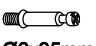


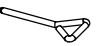
Step 3

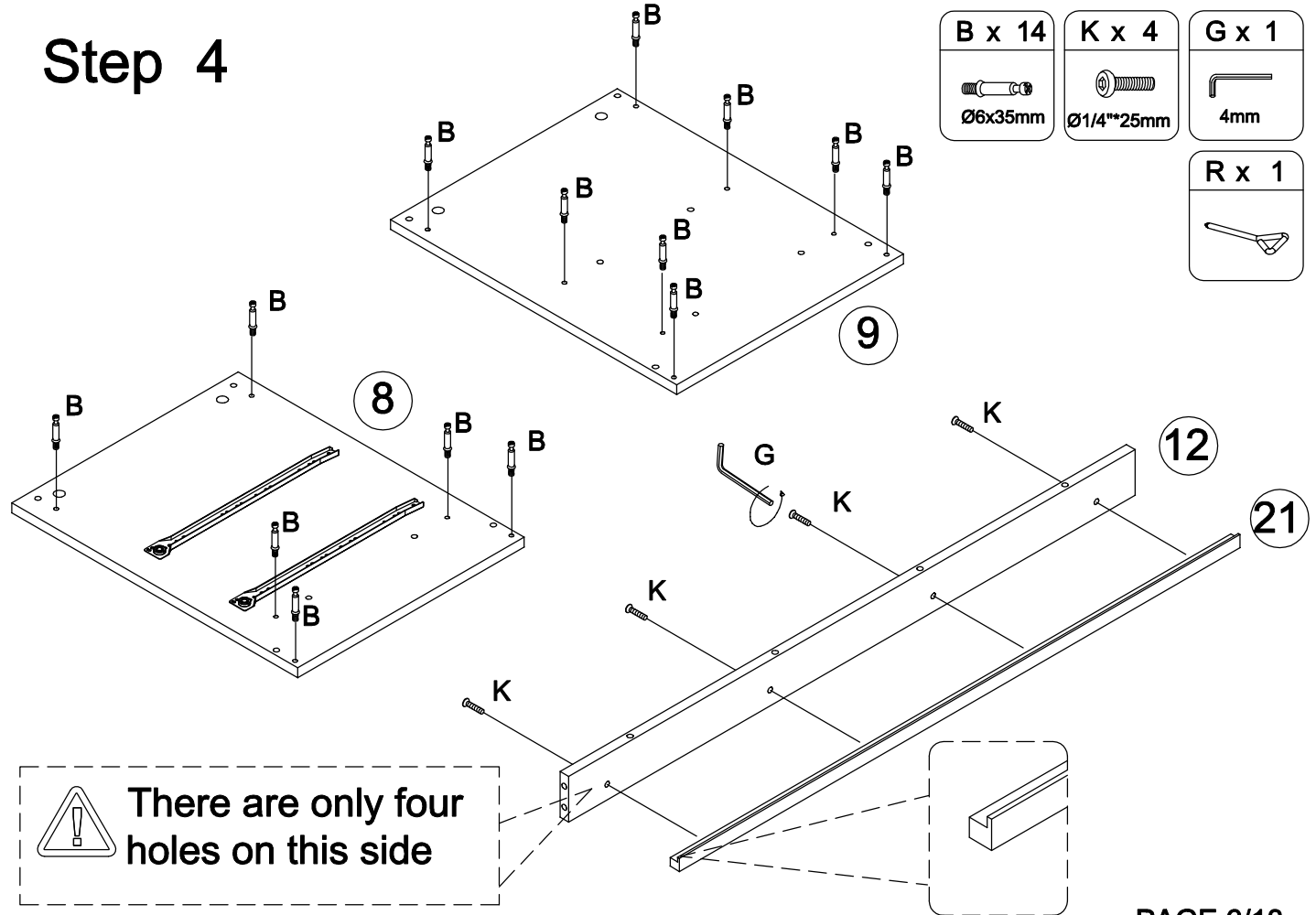
A x 2  Ø8x30mm	E x 2  Ø6x50mm	G x 1  4mm
--	--	--



The notch and slot are on the same side




Step 4

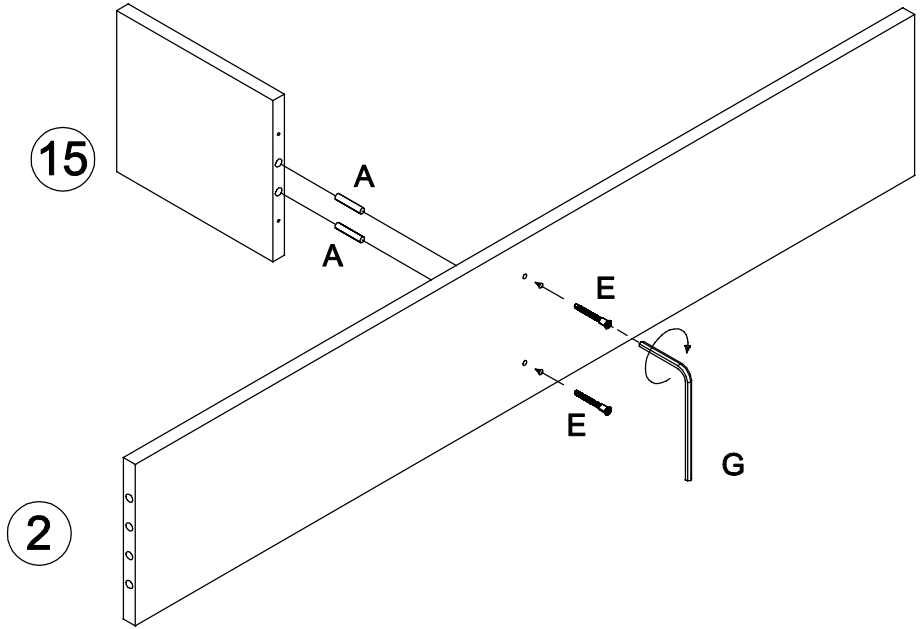
B x 14  Ø6x35mm	K x 4  Ø1/4**25mm	G x 1  4mm
R x 1 		



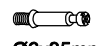
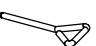
There are only four holes on this side

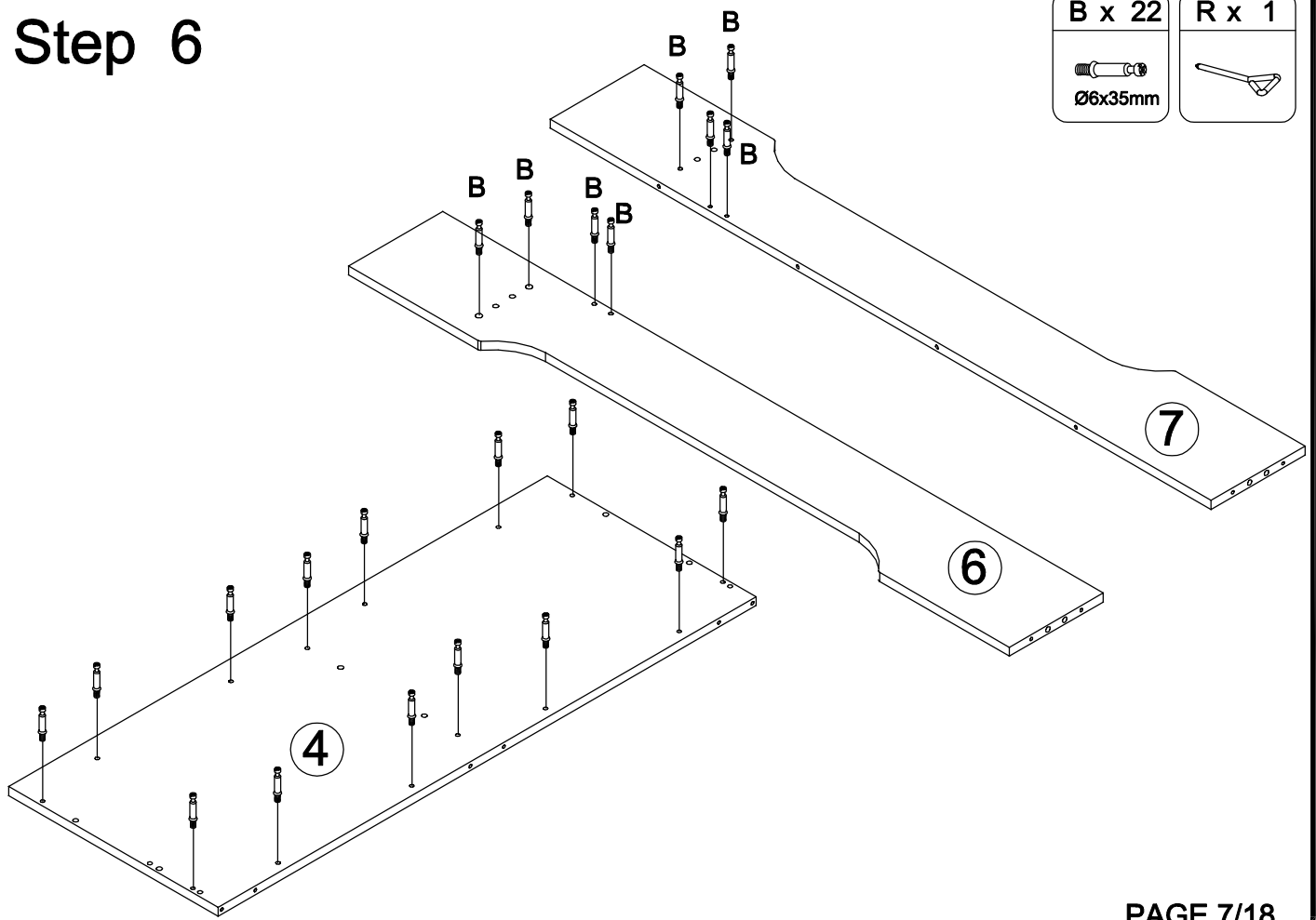
Step 5

A x 2  Ø8x30mm	E x 2  Ø6x50mm	G x 1  4mm
--	--	--








Step 6

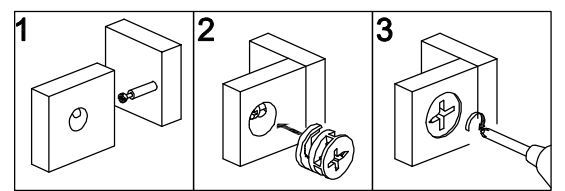
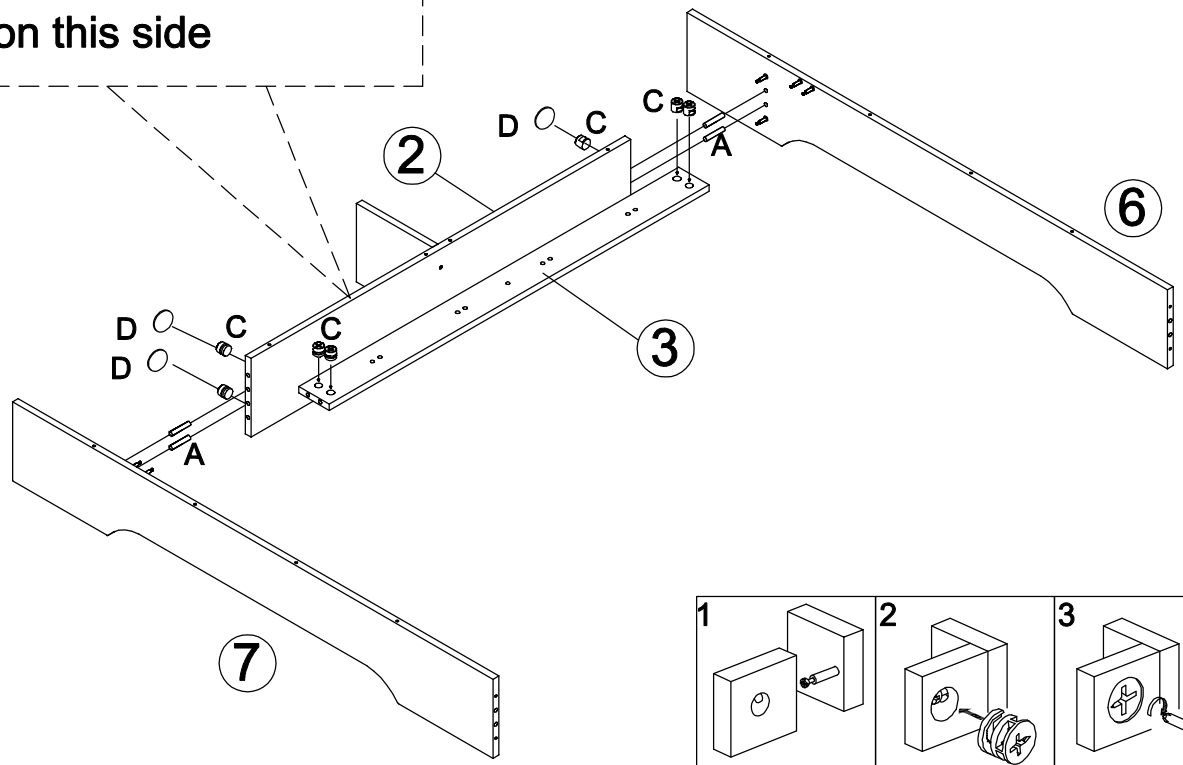
B x 22  Ø6x35mm	R x 1 
---	---





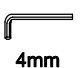
Step 7


A x 4  Ø8x30mm	C x 8  Ø15x12mm	D x 4 	R x 1 
--	--	--	--

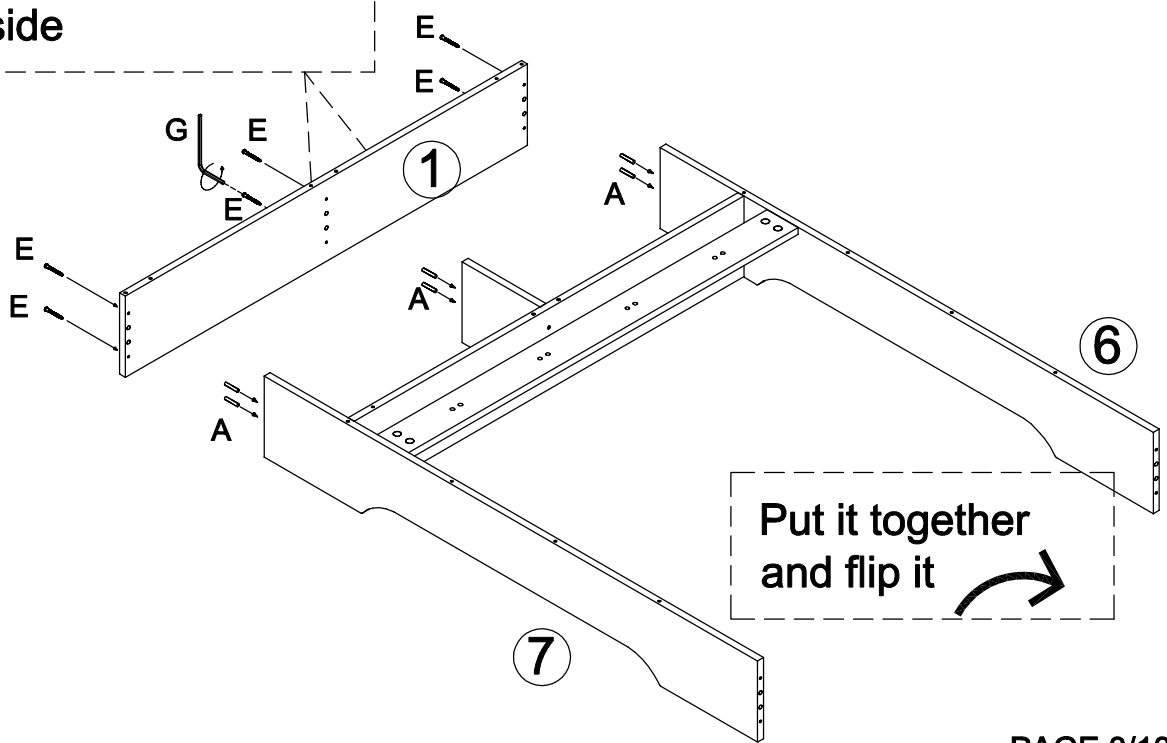
 There are lead holes on this side



Step 8




A x 6  Ø8x30mm	E x 6  Ø6x50mm	G x 1  4mm
---	---	---

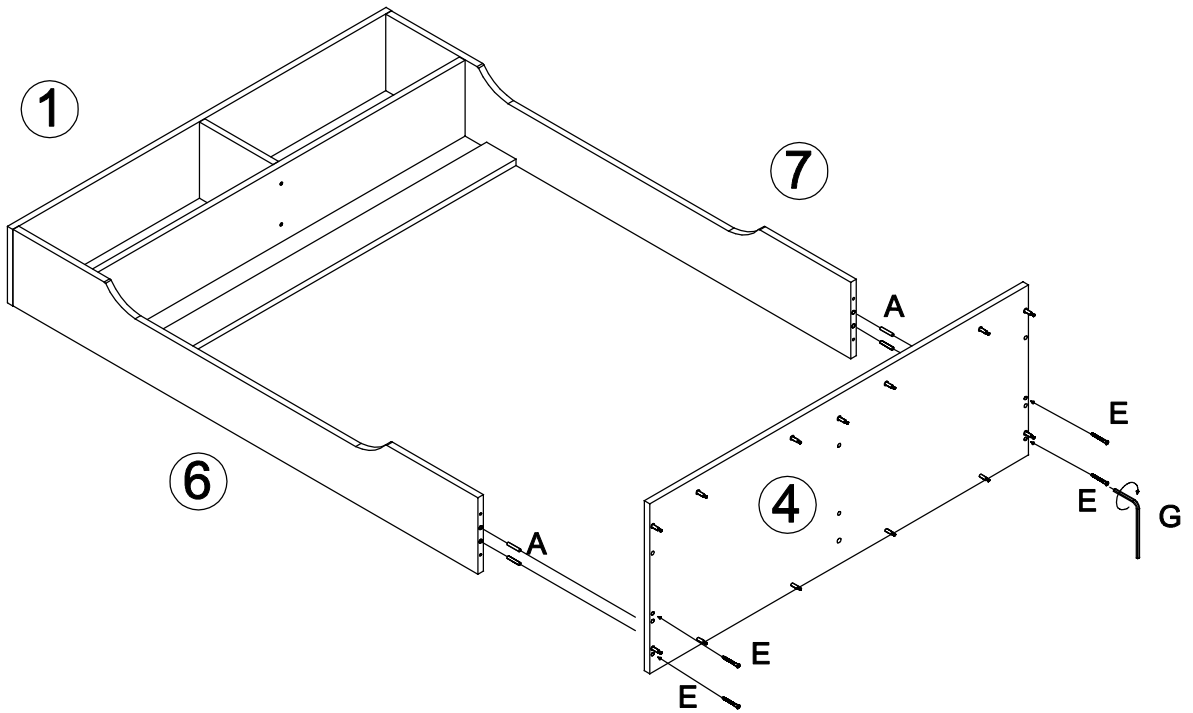
 There are lead holes on this side






Put it together and flip it 

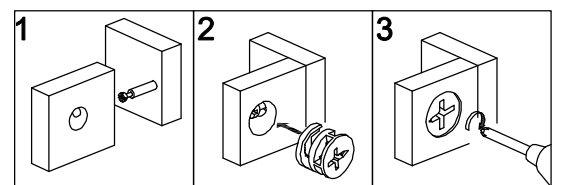
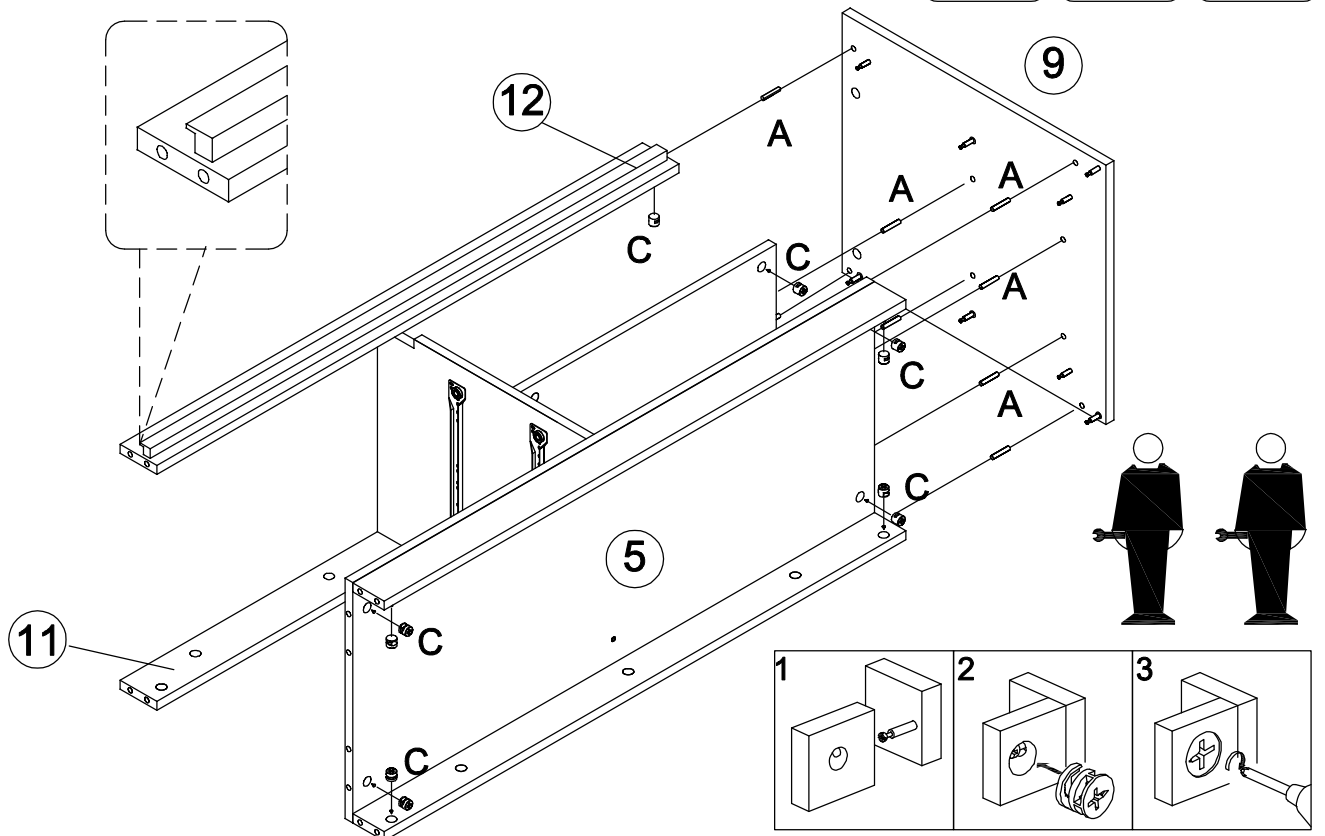
Step 9

A x 4  Ø8x30mm	E x 4  Ø6x50mm	G x 1  4mm
--	--	--



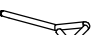


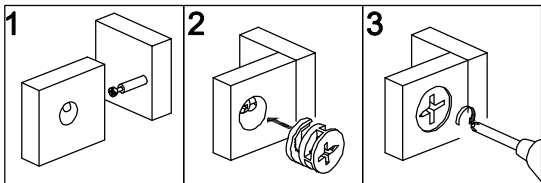
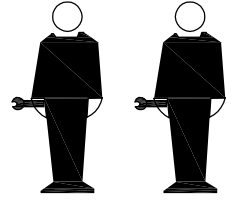
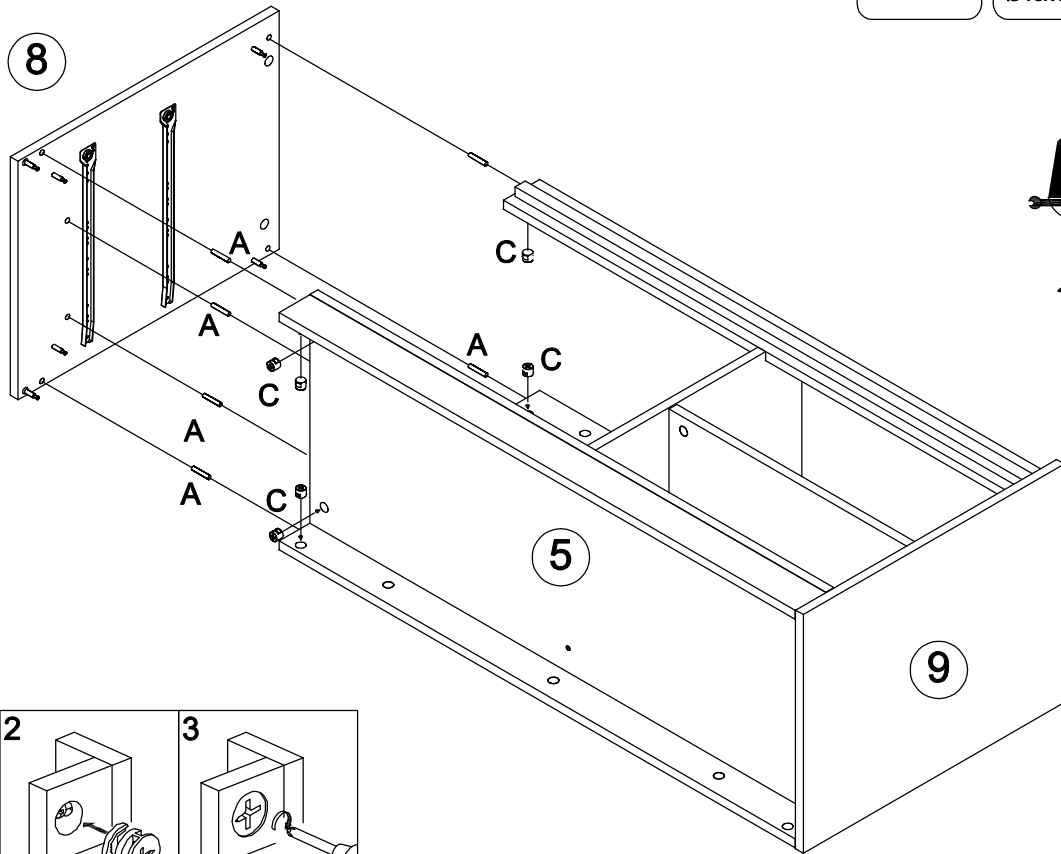
Step 10

A x 8  Ø8x30mm	C x 8  Ø15x12mm	R x 1 
--	---	---



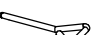


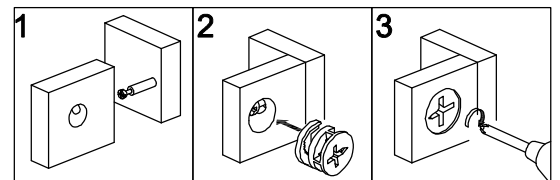
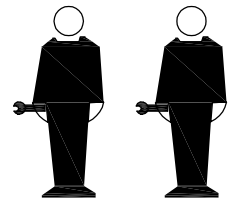
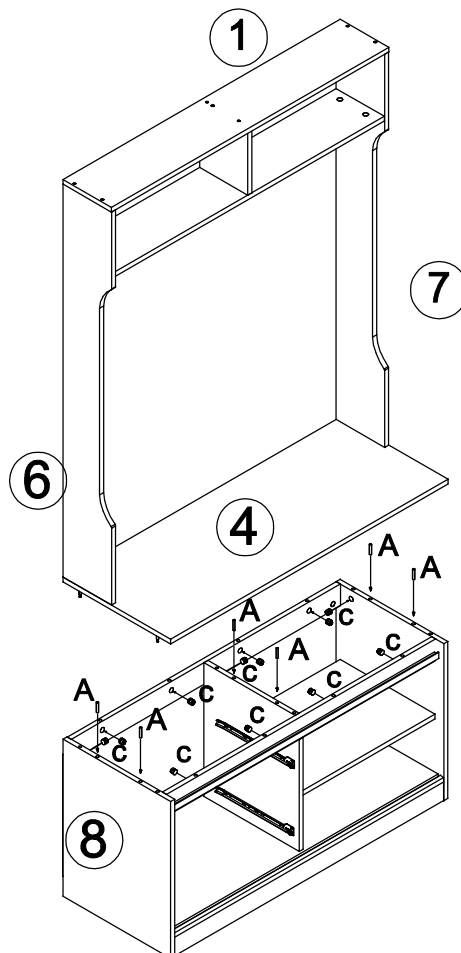
Step 11

A x 6	C x 6	R x 1
		
Ø8x30mm	Ø15x12mm	





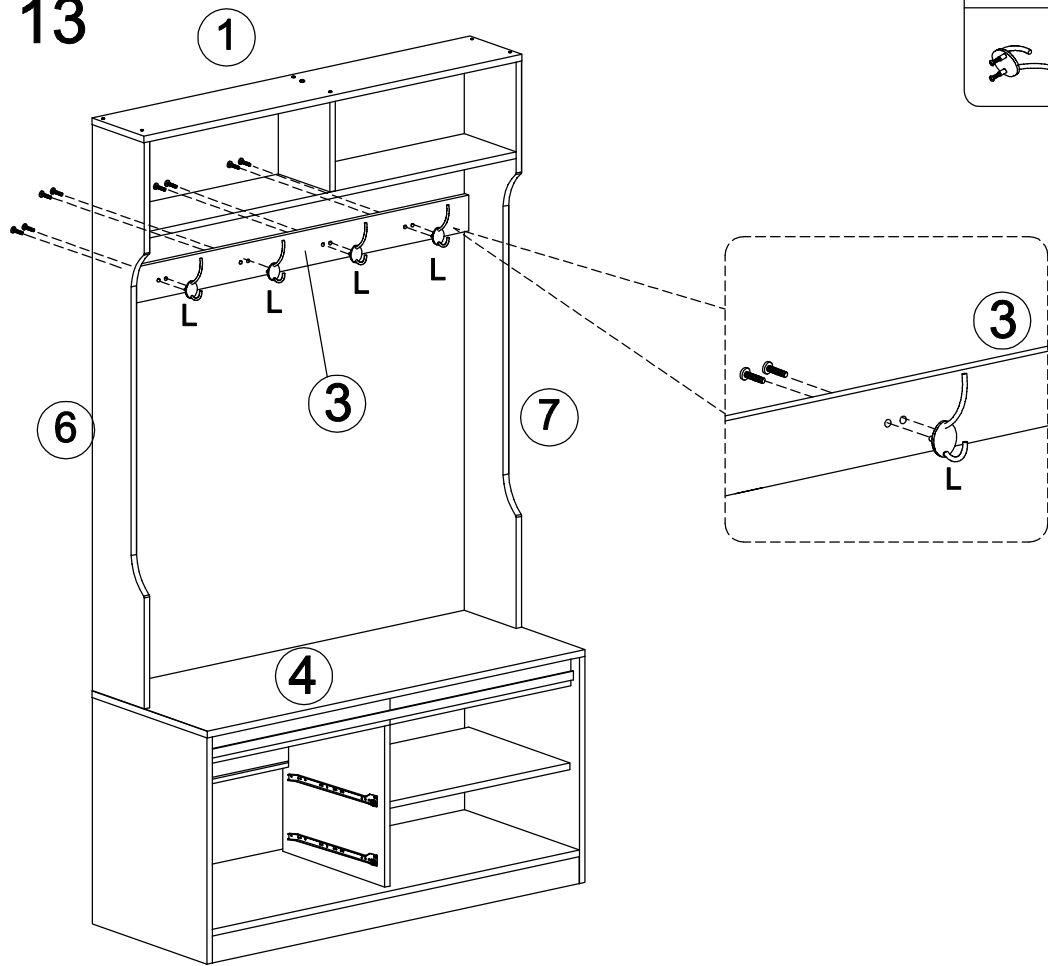
Step 12

A x 6	C x 14	R x 1
		
Ø8x30mm	Ø15x12mm	


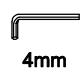

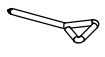



Step 13

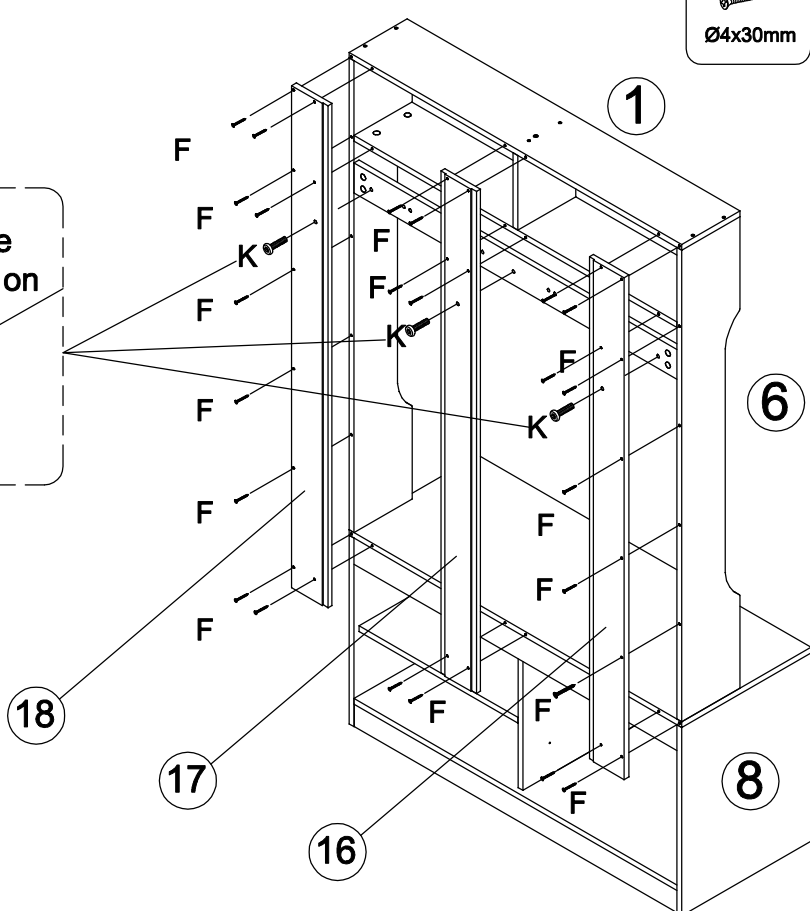
L x 4	R x 1
	



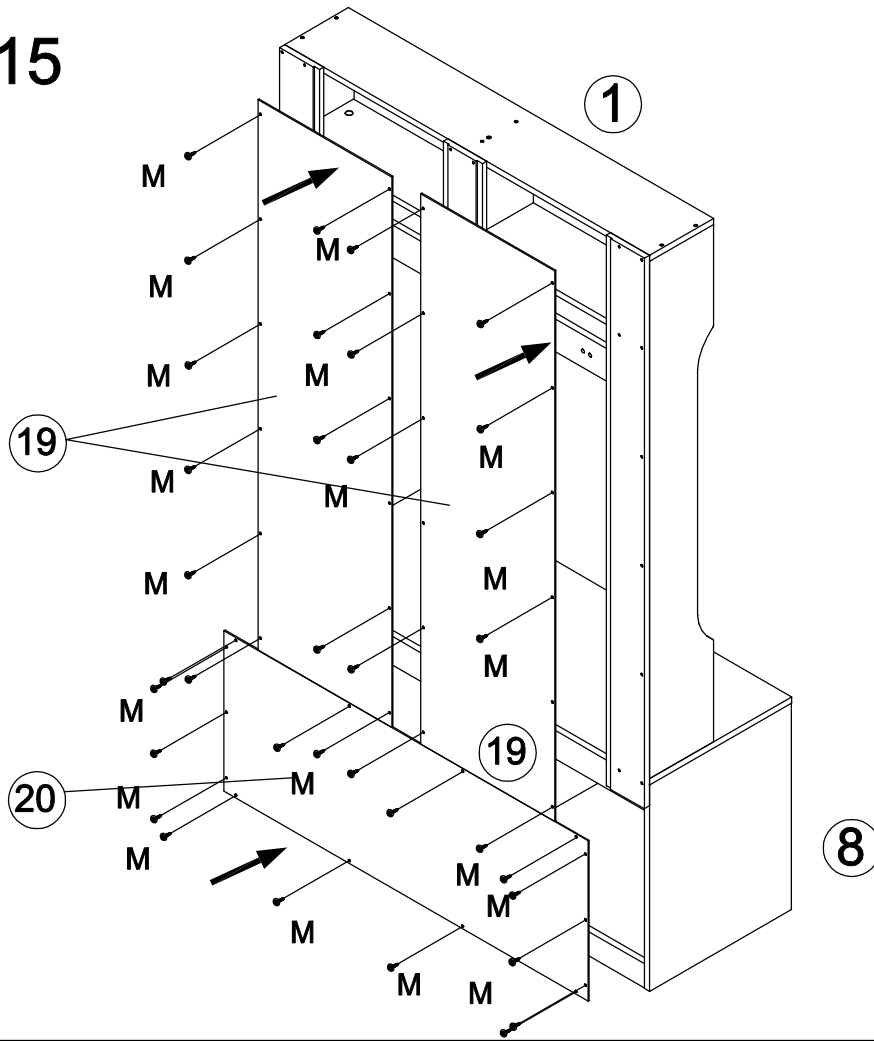
Step 14

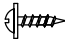
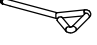
F x 24 Ø4x30mm	G x 1 4mm	K x 3 Ø1/4**25mm
		
R x 1		
		

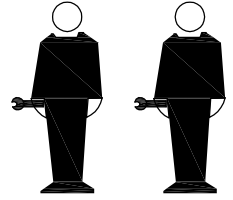
 Make sure you put it on



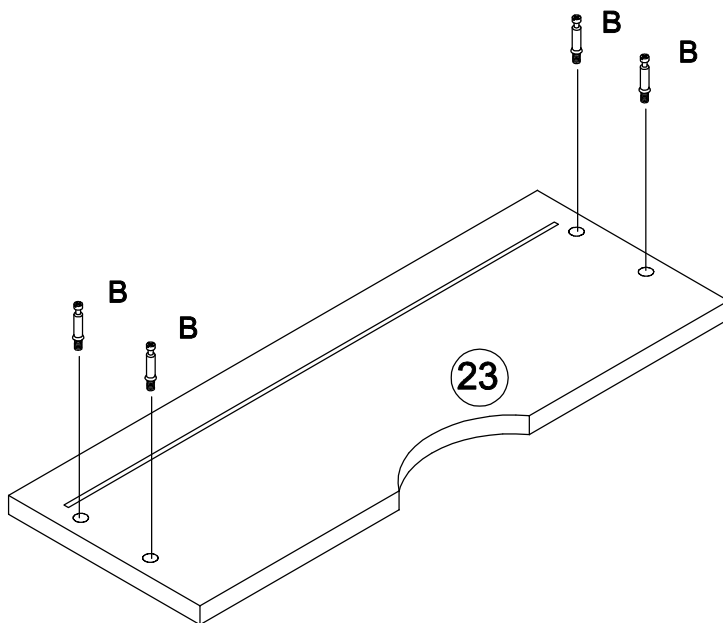
Step 15

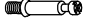
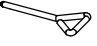


M x 38	R x 1
 Ø3.5x12mm	





Step 16

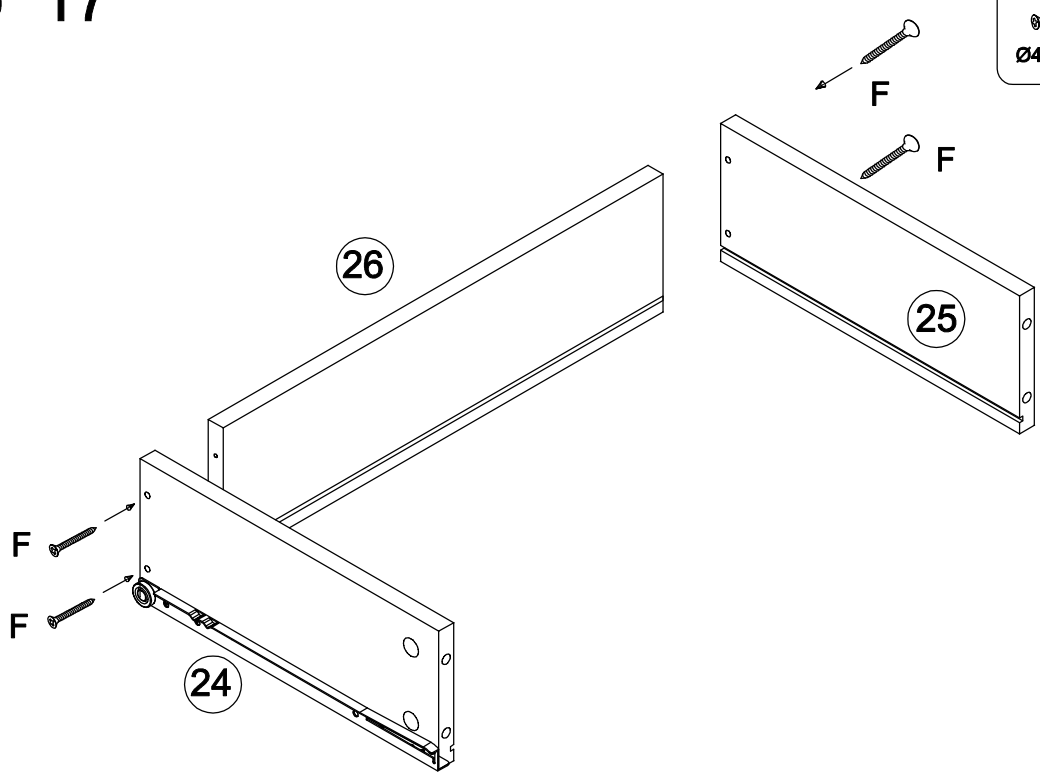


B x 8	R x 1
 Ø6x35mm	



X2

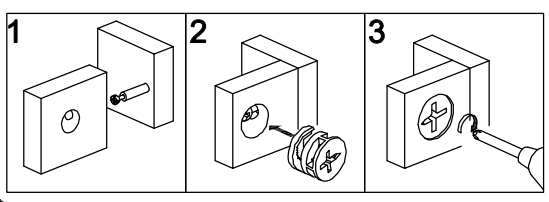
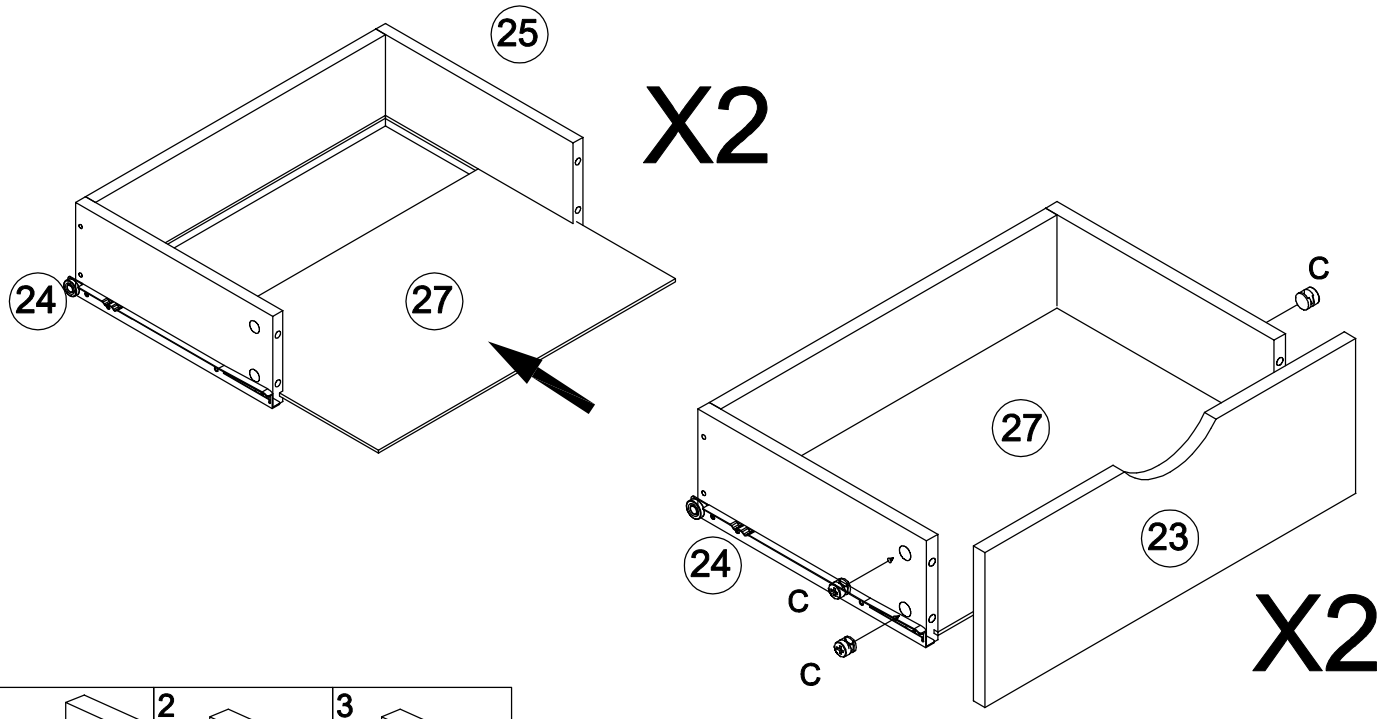
Step 17

F x 8	R x 1
 Ø4x30mm	



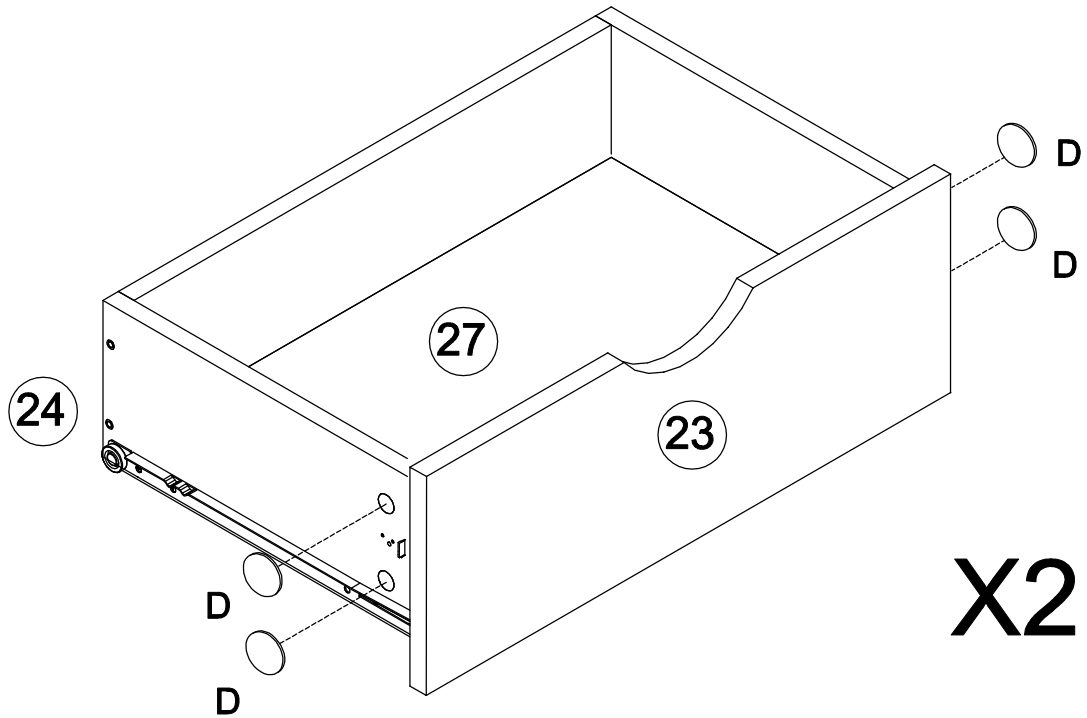
Step 18

C x 8	R x 1
 Ø15x12mm	

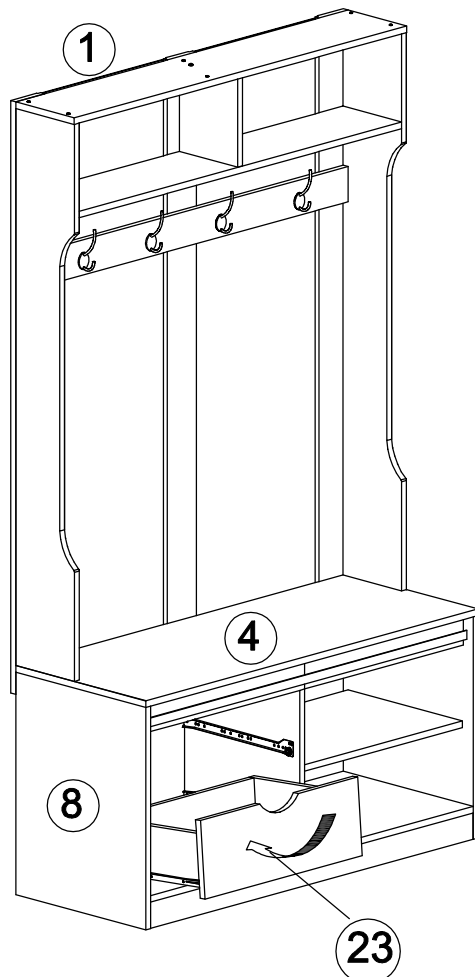


Step 19

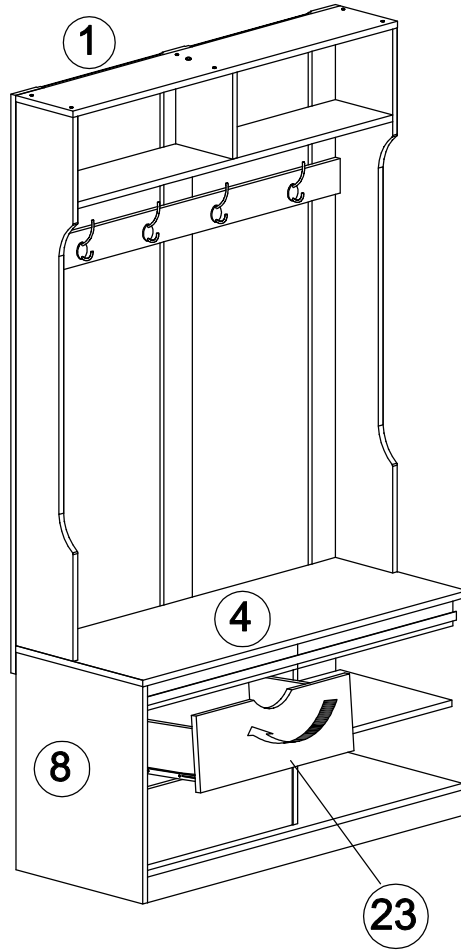
D x 8
○




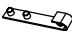

Step 20

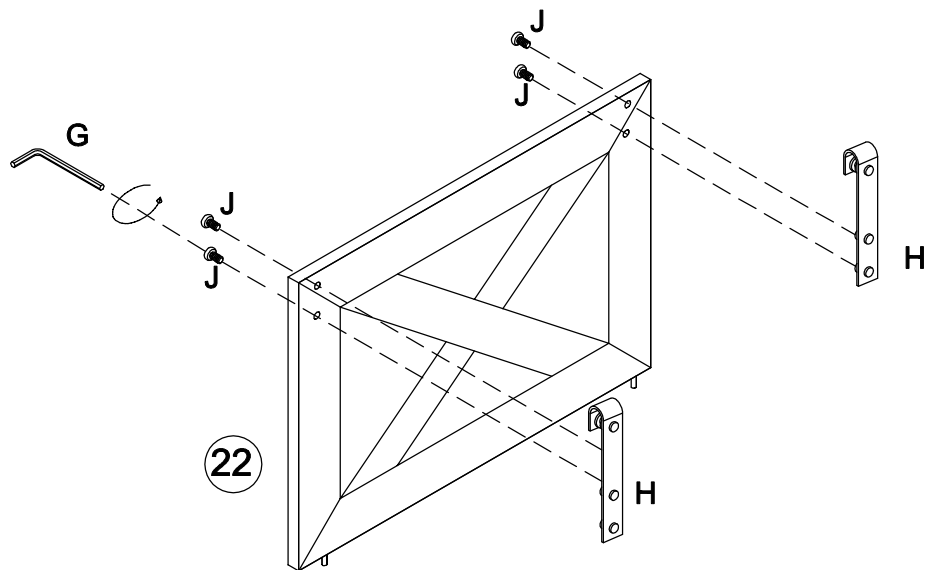


Step 21

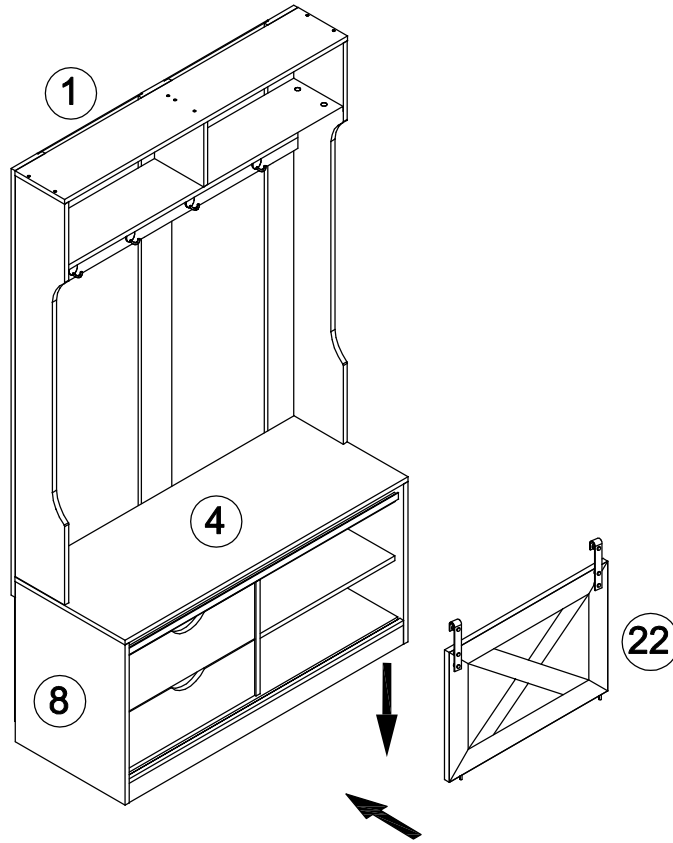


Step 22




G x 1  4mm	H x 2 	J x 4  Ø1/4"x12mm
--	---	---

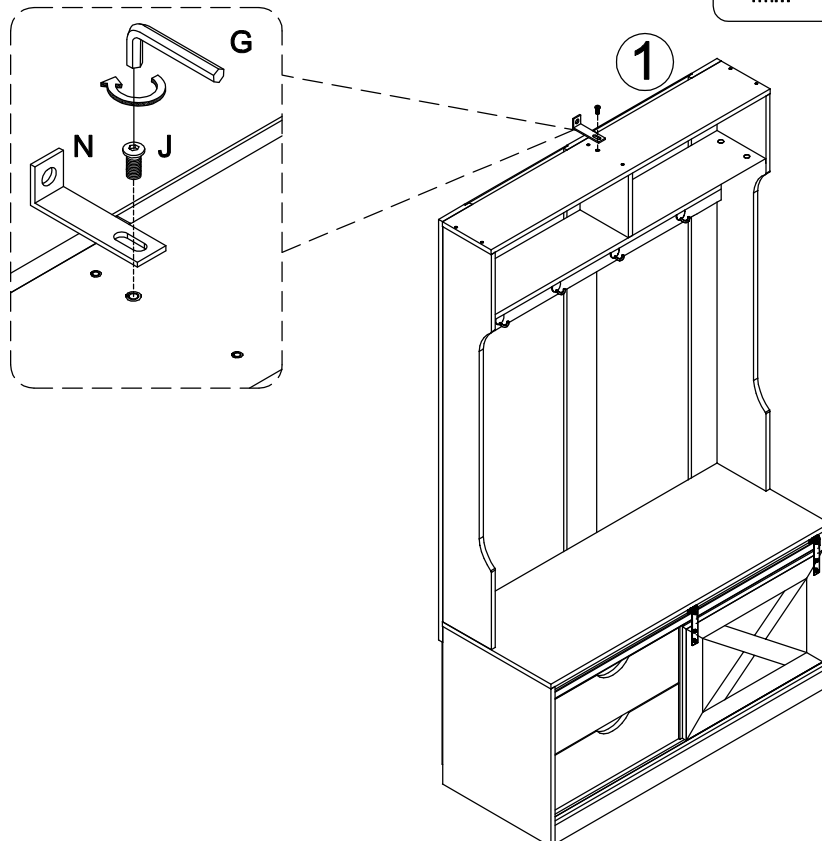


Step 23

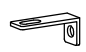
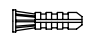





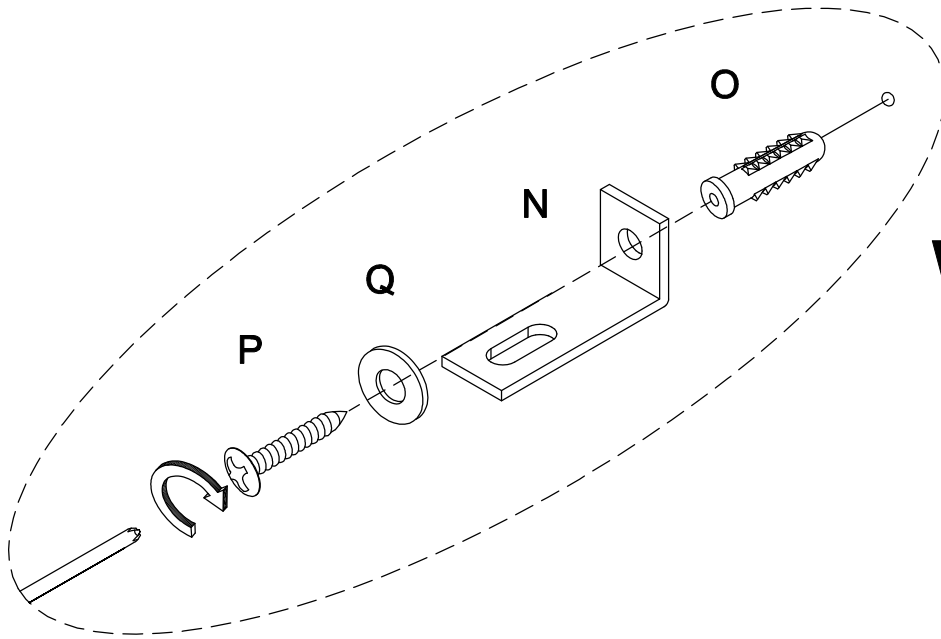
Step 24 (Optional)

G x 1	J x 1	N x 1
 4mm	 Ø1/4" x 12mm	

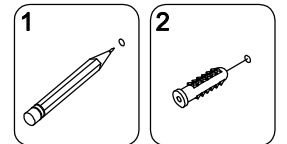


Step 25 (Optional)

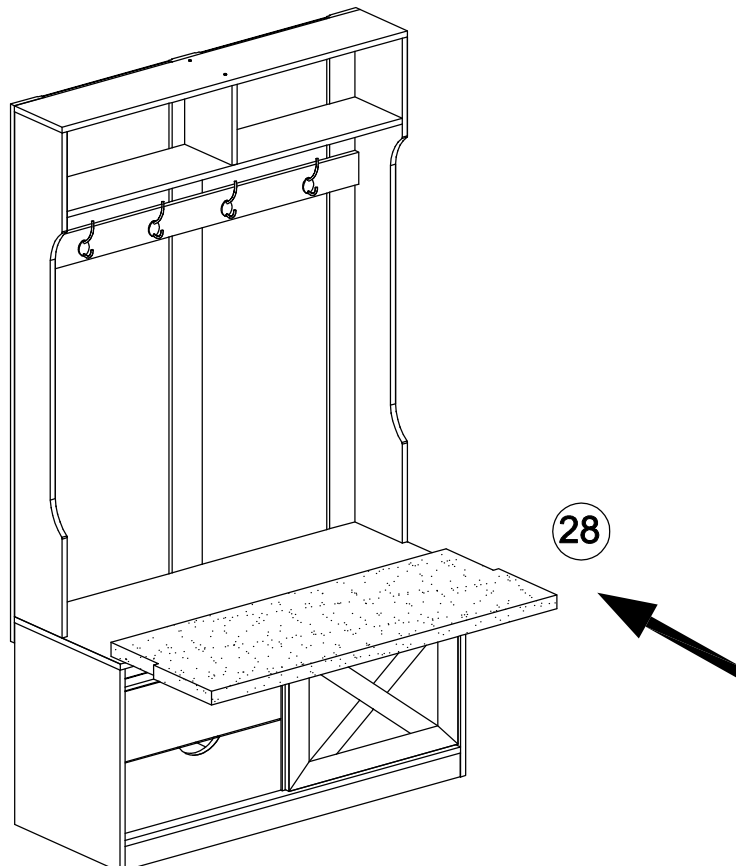
N x 1	O x 1	P x 1	Q x 1	R x 1
		 Ø4x30mm	 Ø6mm	



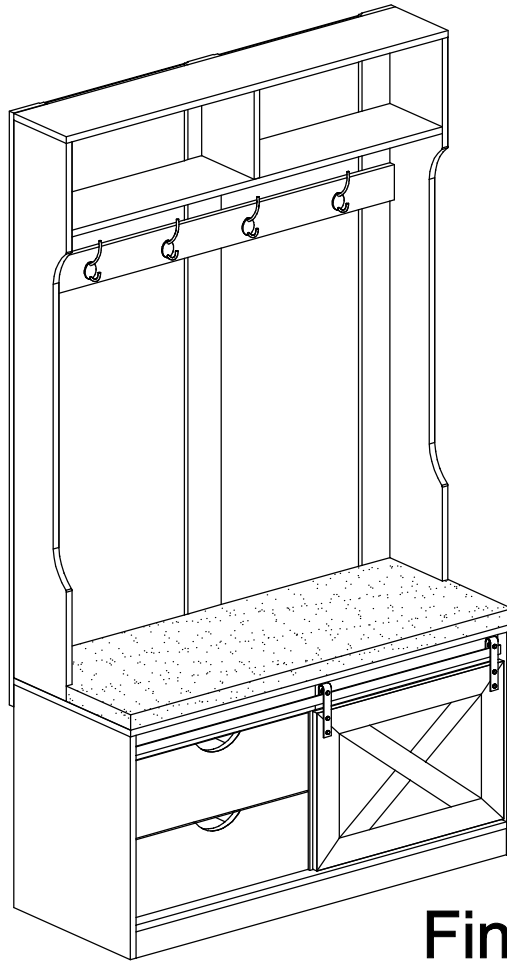
Wall



Step 26



Step 27



Final Assembly



WARNING



Children have died from furniture tip-over. To reduce the risk of furniture tip-over:

- Highly recommend installing tip-over restraint provided. (Step 24 and 25)
- NEVER put a TV on this product.
- NEVER allow children to stand, climb or hang on drawers, doors, or shelves.
- Place heaviest items in the lowest drawers.

