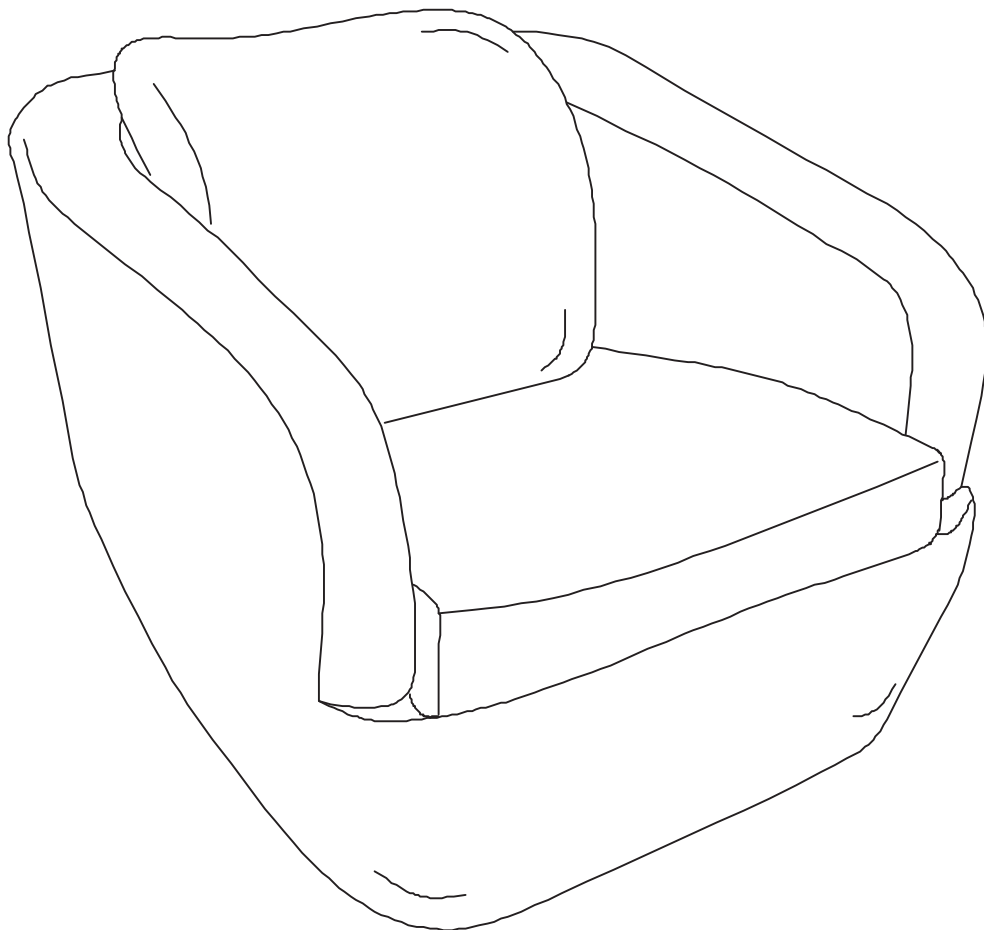

Assembly Manual

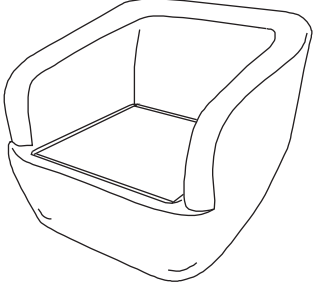
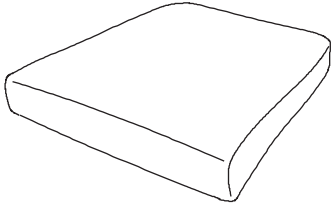
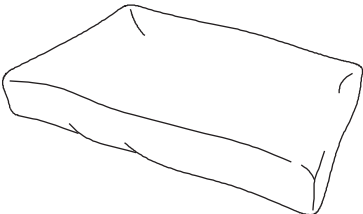
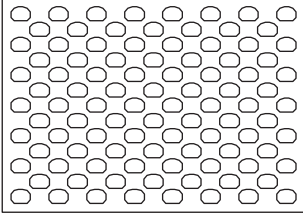
Swivel Patio Chair



 **CAUTION**

THIS ASSEMBLY MANUAL CONTAINS IMPORTANT SAFETY INFORMATION.
PLEASE READ AND KEEP FOR FUTURE REFERENCE.

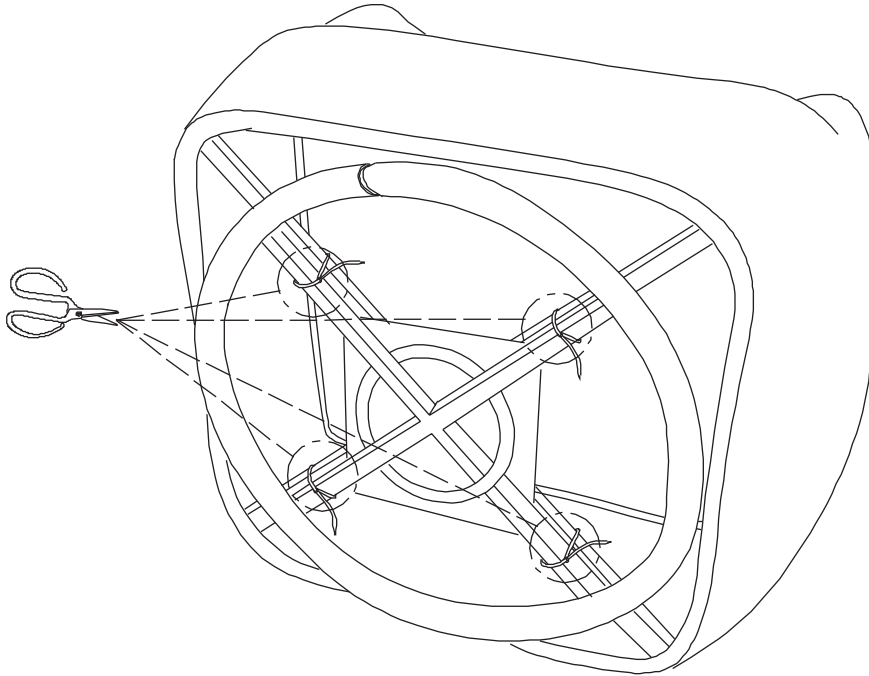
Components:

<p>A×1</p>  <p>Seat</p>	<p>B×1</p>  <p>Seat Cushion</p>
<p>C×1</p>  <p>Back Cushion</p>	<p>D×1</p>  <p>Non-Slip Mat (20'' x 20'')</p>

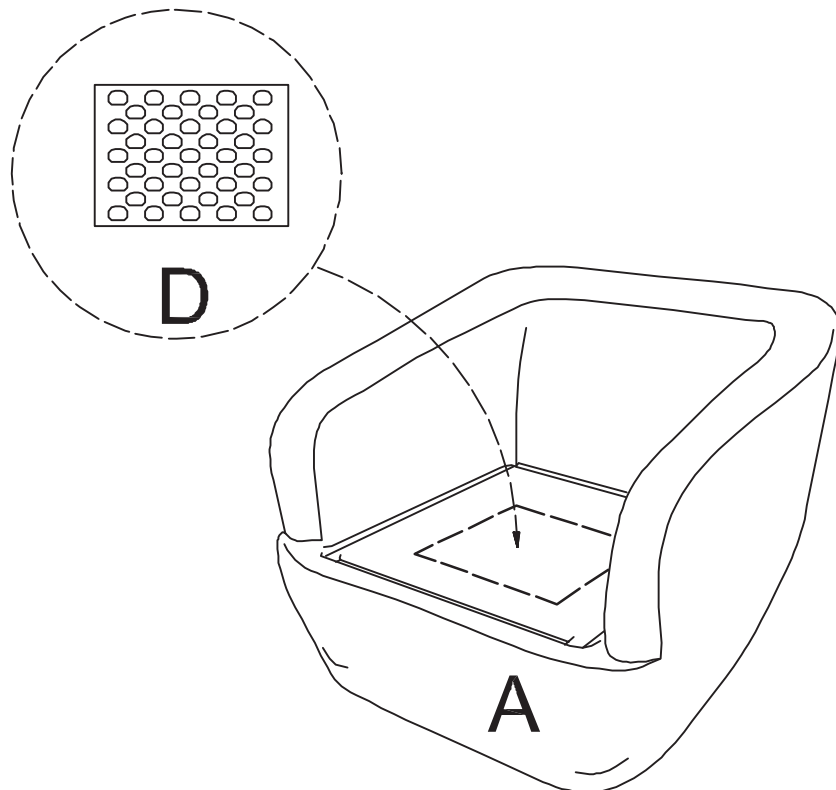
Before you begin:

1. Check if you have received all parts using the diagram on this page. Do not start the assembly process until all parts are present. If you have not received all parts or received wrong or damaged ones, please contact our customer service and we will get back to you.
2. Do not discard any of the packaging until you are certain that you have all the necessary parts for the assembly.

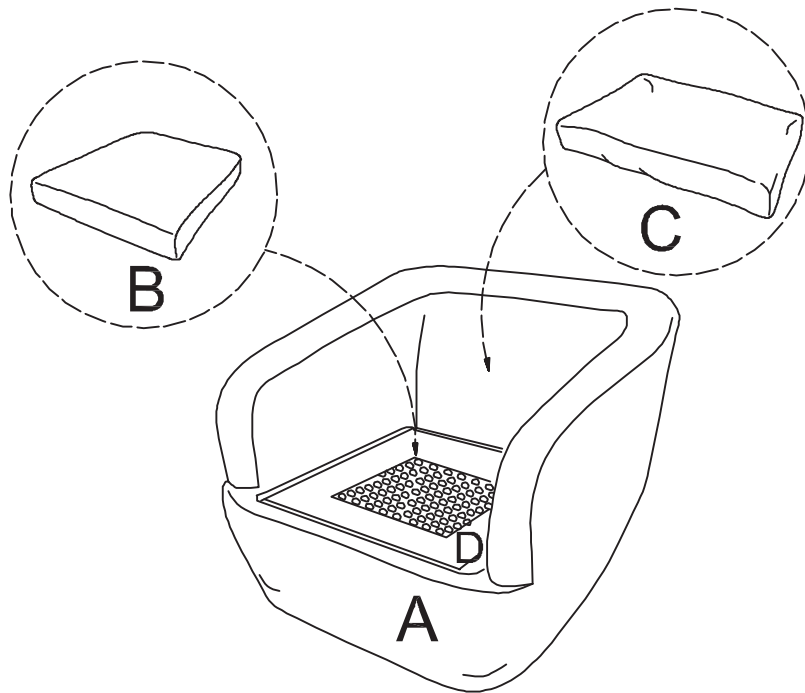
-
- 1** Cut the ties between swivel metal base and the chair.



- 2** Place Non-Slip Mat (D) on the Seat.



-
- 3** Place Seat Cushion (B) and Back Cushion (C) on the chair.



- 4** Assembly complete. Enjoy.

