

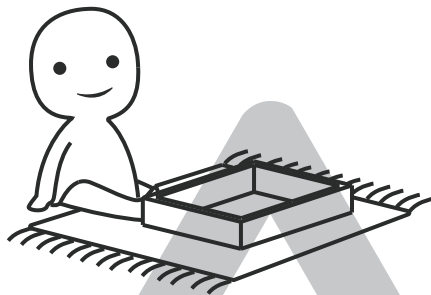
# **INSTALLATION**

*Product Manual*



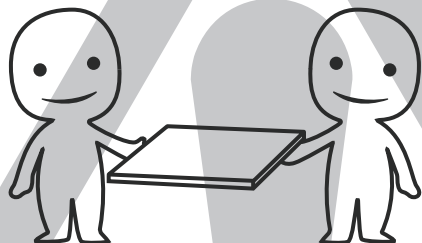
### **IMPORTANT INFORMATION!**

please read the entire manual before starting to assemble and/or using this product. follow the manual thoroughly and keep it for further reference.



### **AVOID SCRATCHES!**

In order to avoid scratching this furniture should be assembled on a soft layer- could be a rug.



### **IMPROVE EFFICIENCY !**

Try to find a partner to install with you, which can speed up the installation efficiency and shorten the time.



### **ANTI-TOPPLE WARNING !**

Overturnd furniture can cause serious or fatal crush injuries. To prevent tipping over, be sure to use the wall attachment, if not included with this product. Please purchase the wall attachment that fit your wall. If unsure, seek professional advice. Please read and follow each step of the instructions carefully.

### **IMPORTANT !**

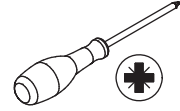
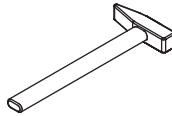
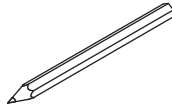
It is important that any product which is assembled using any kind of screw is re-tightened 2 weeks after assembly, and once every 3 months - in order to assure stability through-out the lifespan of the product.

For regular maintenance and cleaning of the product, for the frame, please use a rag dipped in neutral detergent to fully wipe it, and then dry it with a clean rag. For glass materials, wipe with a rag dampened with water glass cleaner, and then dry with a dry rag.

Do not use an electric screwdriver, and do not use too much force when installing, because the board is easy to break.

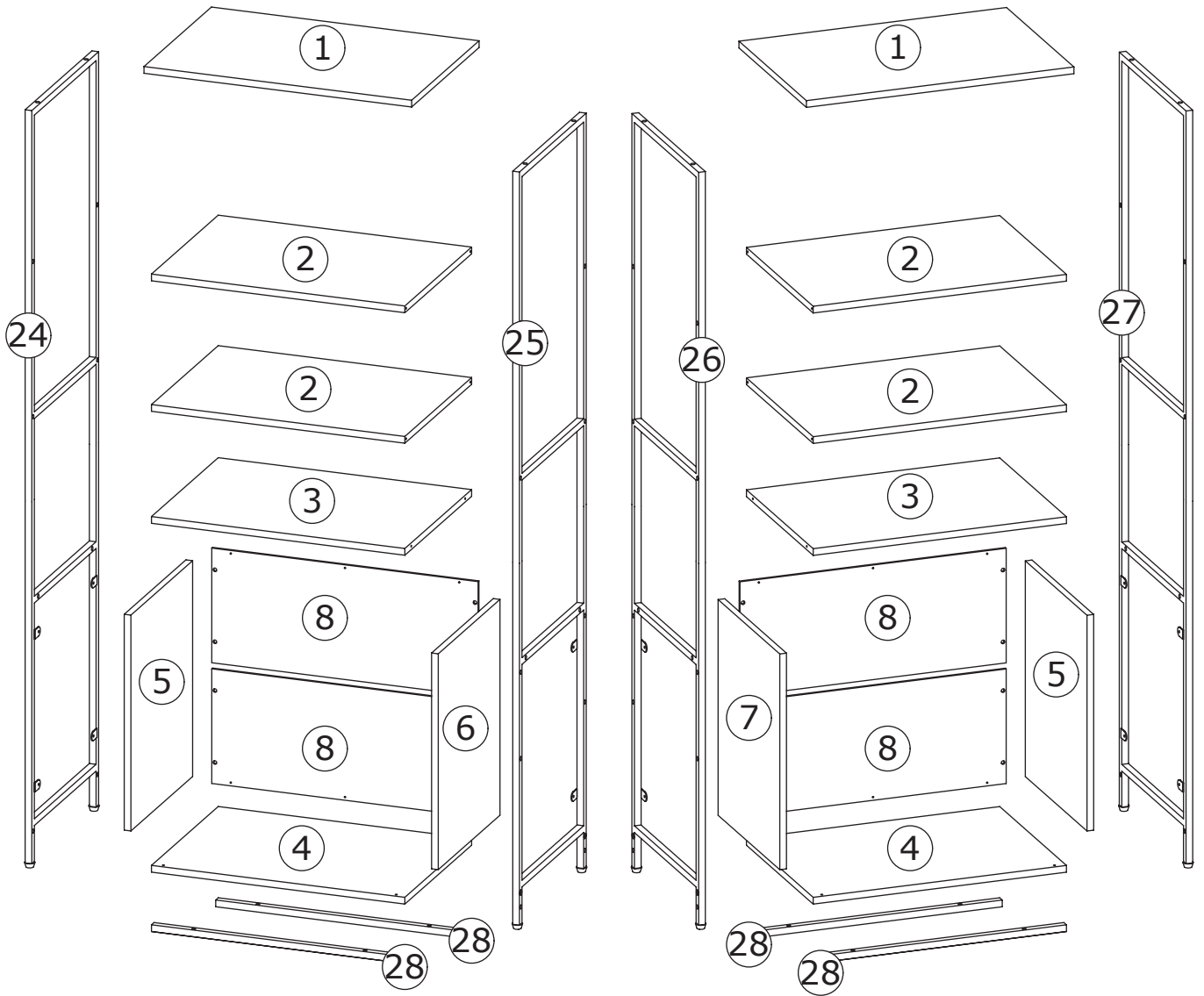


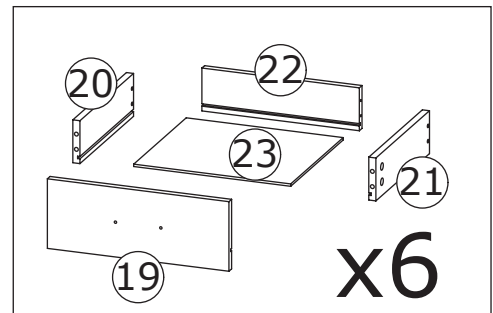
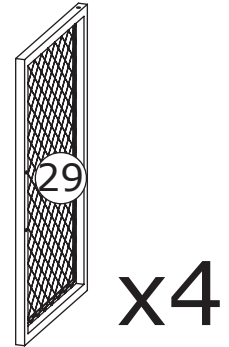
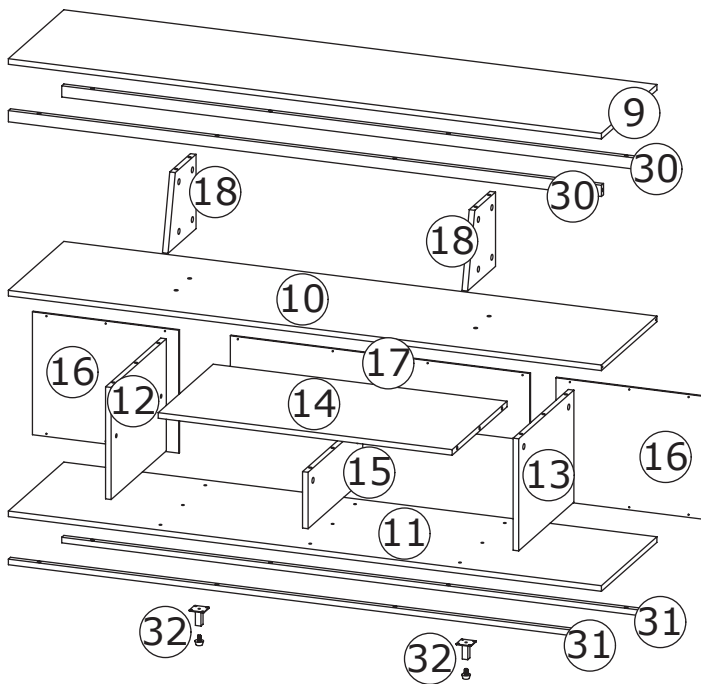
Please prepare the following tools



When installing, please carefully confirm whether each screw corresponds to the manual, accessories with similar shapes can be distinguished by size

<p>A x 42</p>  <p>M6 x 40 mm</p>	<p>B x 42</p>  <p>Ø 15 x 12 mm</p>	<p>C x 61</p>  <p>ST5 x 45 mm</p>	<p>D x 24</p>  <p>M6 x 25 mm</p>	<p>E x 8</p>  <p>M6 x 30 mm</p>
<p>F x 5</p>  <p>Ø 8 x 35 mm</p>	<p>G x 8</p>  <p>M6 x 30 mm</p>	<p>H x 56</p>  <p>ST3.5 x 14 mm</p>	<p>I x 56</p>  <p>ST3 x 14 mm</p>	<p>J x 10</p>  <p>110-96</p>
<p>K x 20</p>  <p>M4 x 18 mm</p>	<p>L x 4</p> 	<p>M x 8</p> 	<p>N x 16</p>  <p>M6 x 12 mm</p>	<p>O x 10</p>  <p>M6</p>
<p>P x 2</p> 	<p>Q x 8</p>  <p>M6 x 40 mm</p>	<p>CL x 6</p>  <p>12"</p>	<p>DL x 6</p>  <p>12"</p>	<p>DR x 6</p>  <p>12"</p>
<p>CR x 6</p>  <p>12"</p>	<p>M4 x 1</p> 			





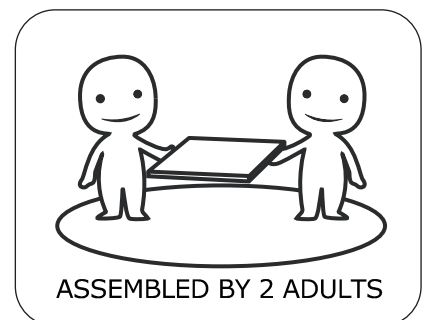
## ⚠ WARNING



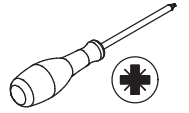
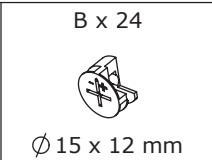
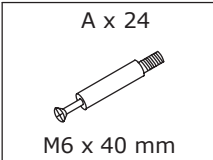
**Children have died from furniture tipover. To reduce the risk of furniture tipover:**

- ALWAYS install Anti-tip device provided.
- NEVER put a TV on this product.
- NEVER allow children to stand, climb or hang on drawers, doors, or shelves.
- NEVER open more than one drawer at a time.
- Place heaviest items in the lowest drawers.

*This is a permanent label.  
Do not remove!*



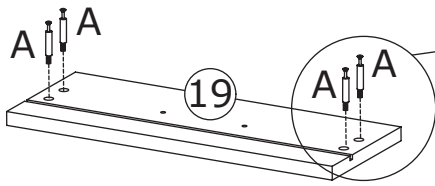
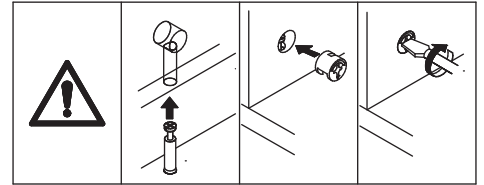
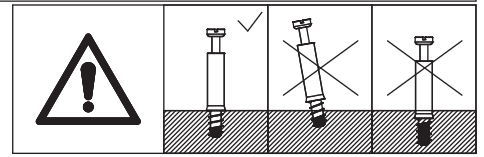
1



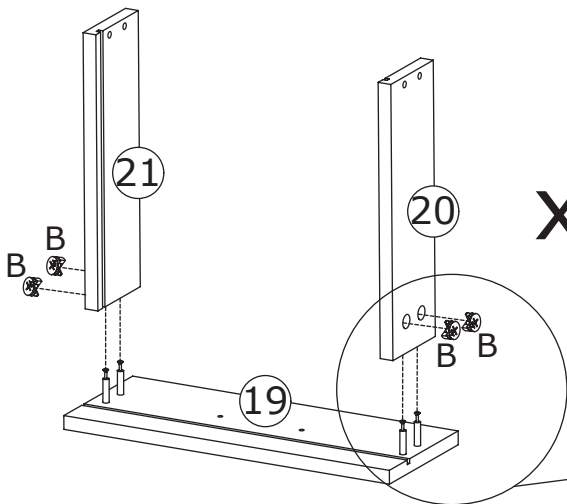
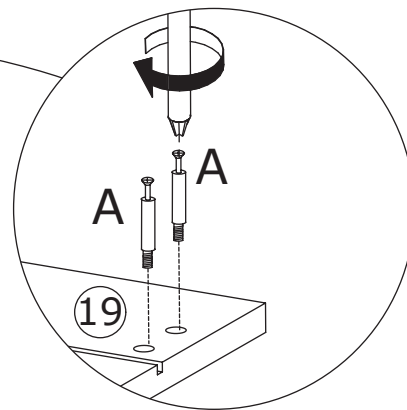
As shown, screw the self-tapping rod (A) into Panel 19.

Connect Panel 20 and Panel 21 to Panel 19, and then insert the eccentric wheel (B) and rotate it clockwise to tighten.

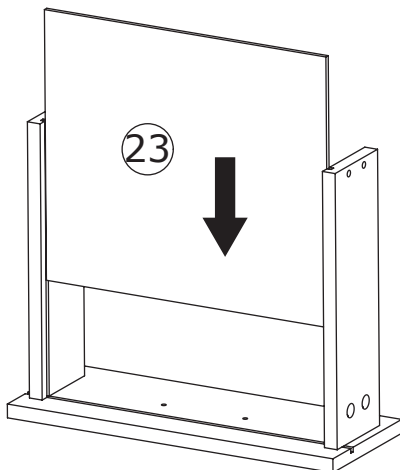
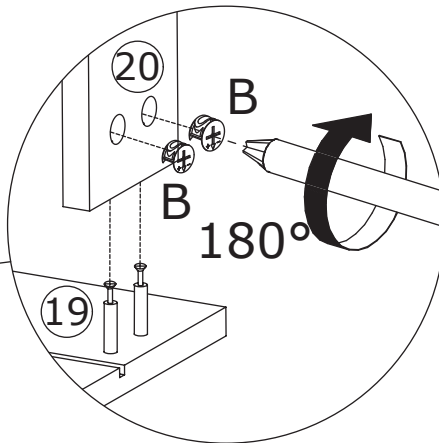
Insert Panel 23 along the available slot.



x6



x6

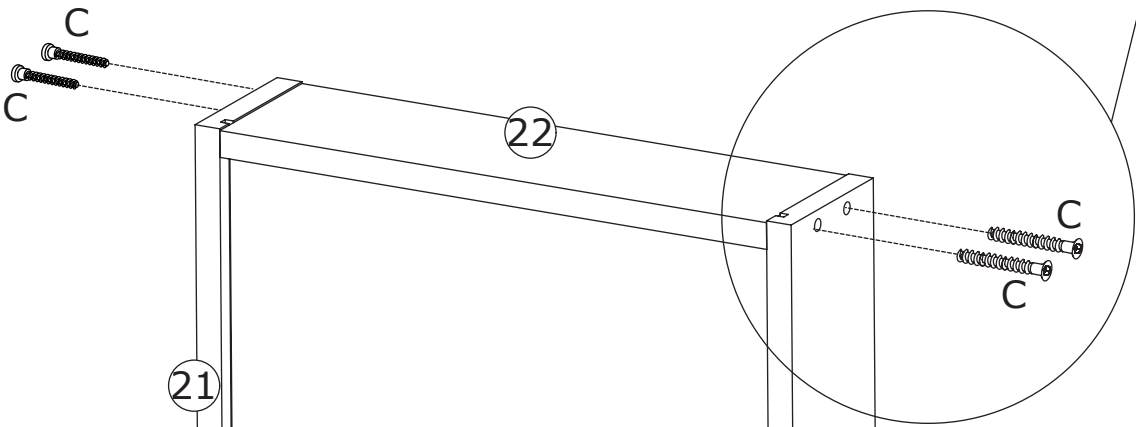
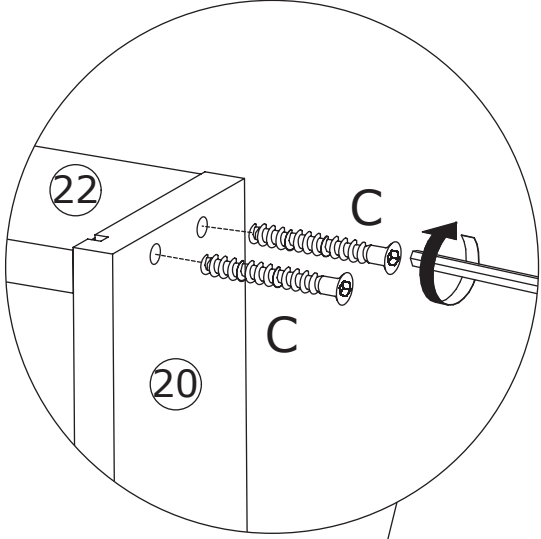


x6

2




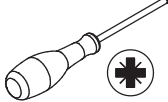


As shown, connect Panel 20 and Panel 21 to Panel 22,  
and fasten them with screws (C).

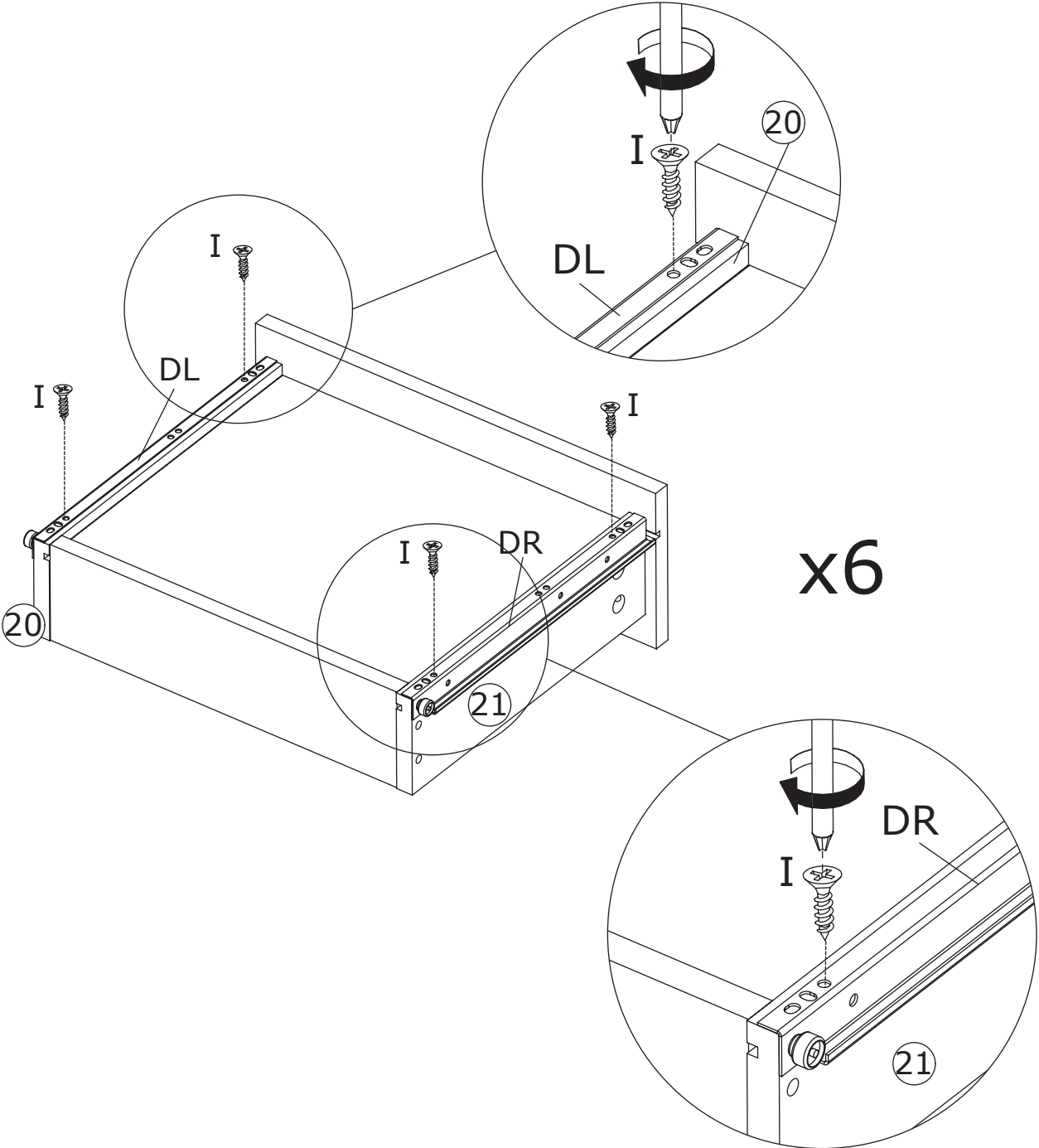


x6

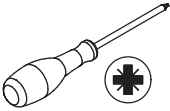
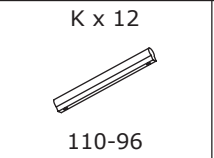
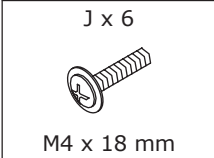
3

<p>I x 24 ST3 x 14 mm</p> 	<p>DL x 6 DL 12"</p> 	<p>DR x 6 DR 12"</p> 	
---	--	--	---

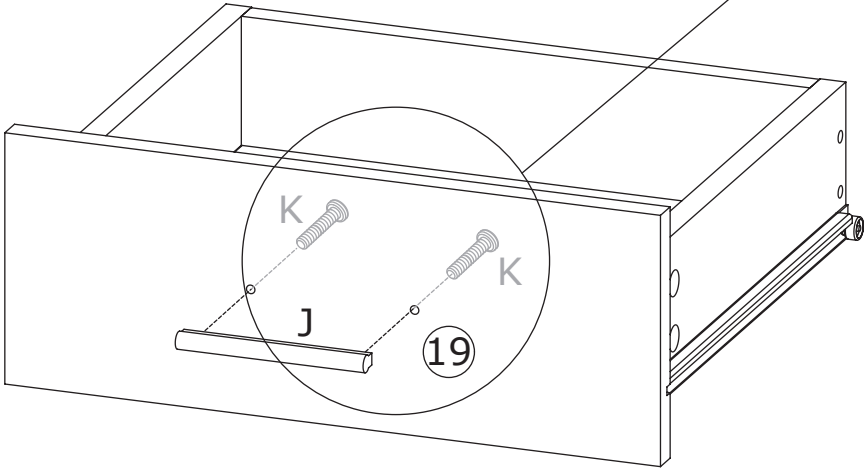
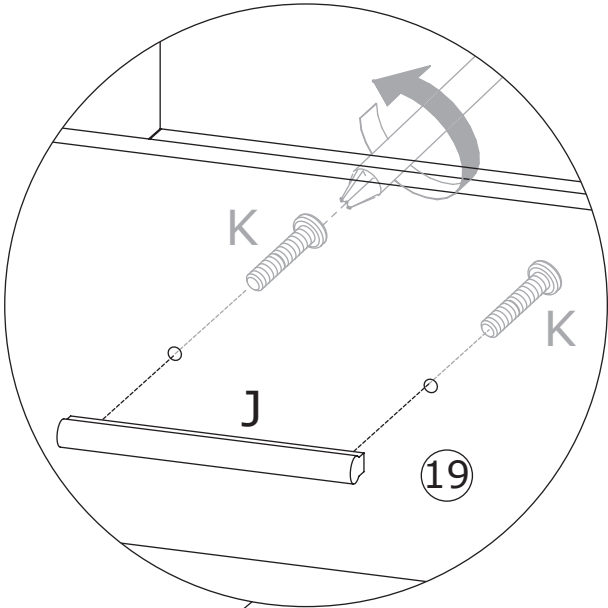
As shown, use screws (I) to fix the slide rails (DL) and (DR) to Panel 20 and Panel 21.



4



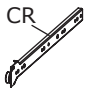
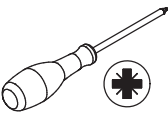


As shown, use screws (K) to install the handle (J) onto Panel 19.

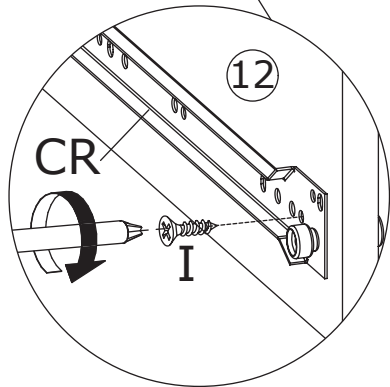
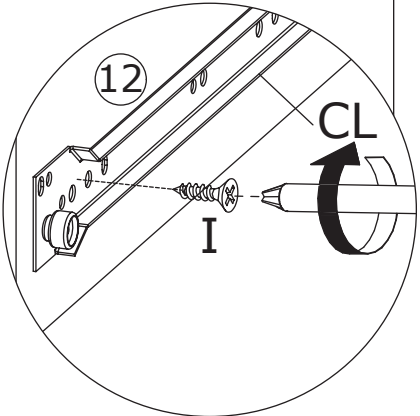
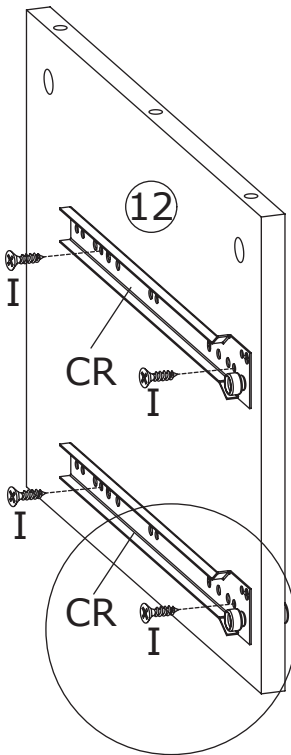
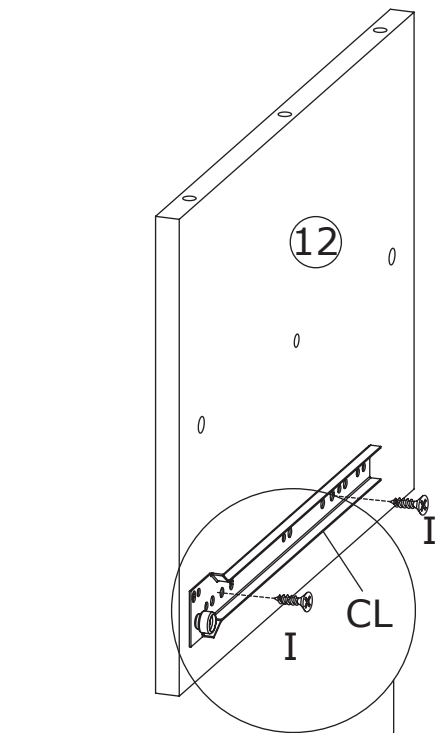
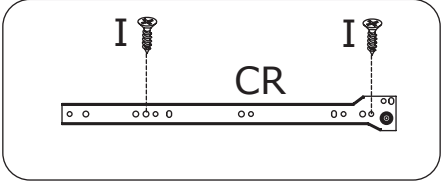
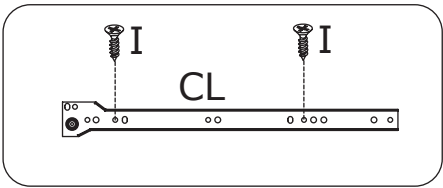


x6

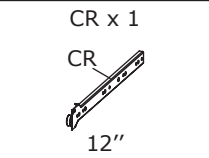
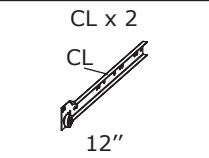
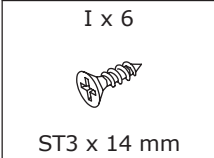
5

<p>I x 6</p>  <p>ST3 x 14 mm</p>	<p>CL x 1</p>  <p>CL</p> <p>12"</p>	<p>CR x 2</p>  <p>CR</p> <p>12"</p>	
---	--	--	---

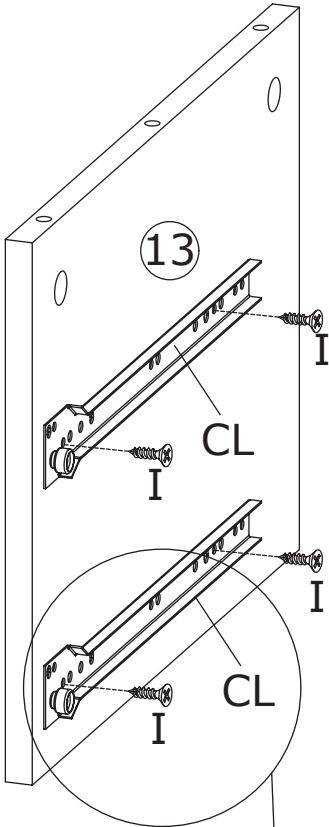
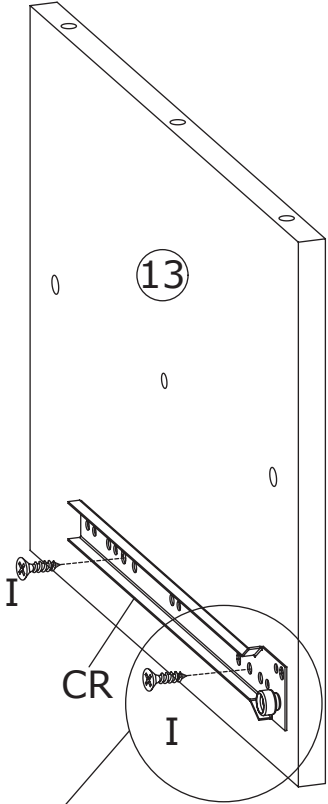
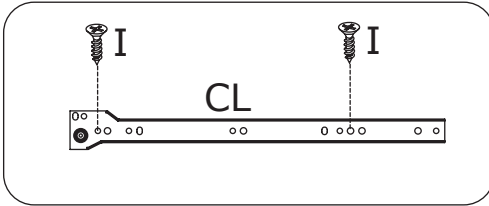
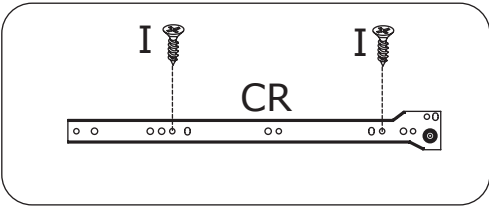
As shown, use screws (I) to fix the slide rails (CL) and (CR) to Panel 12.



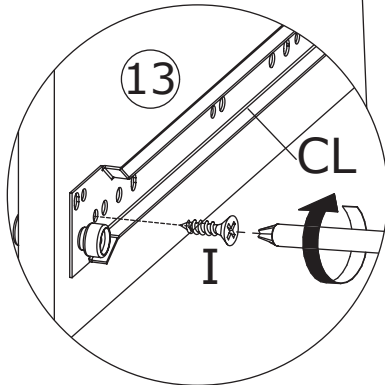
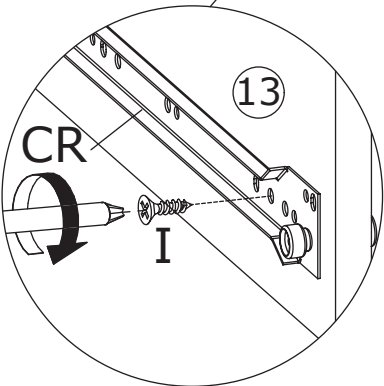
6



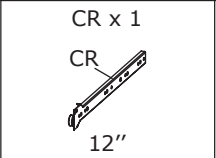
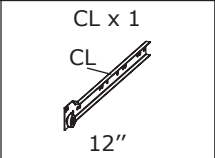
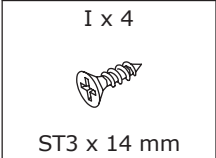
As shown, use screws (I) to fix the slide rails (CL) and (CR) to Panel 13.



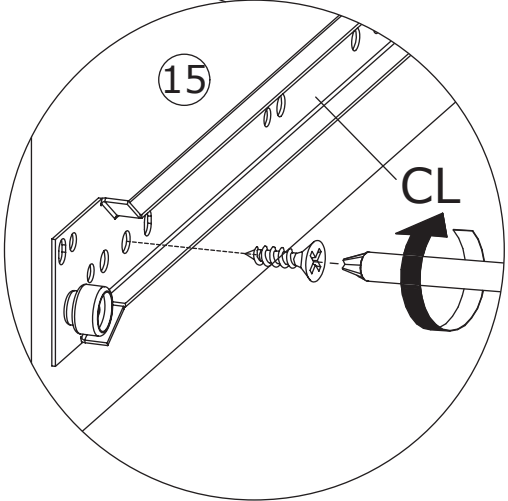
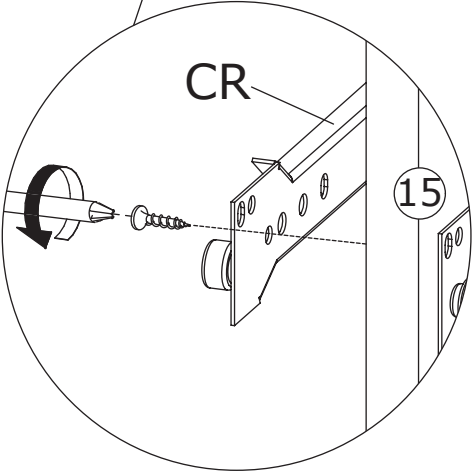
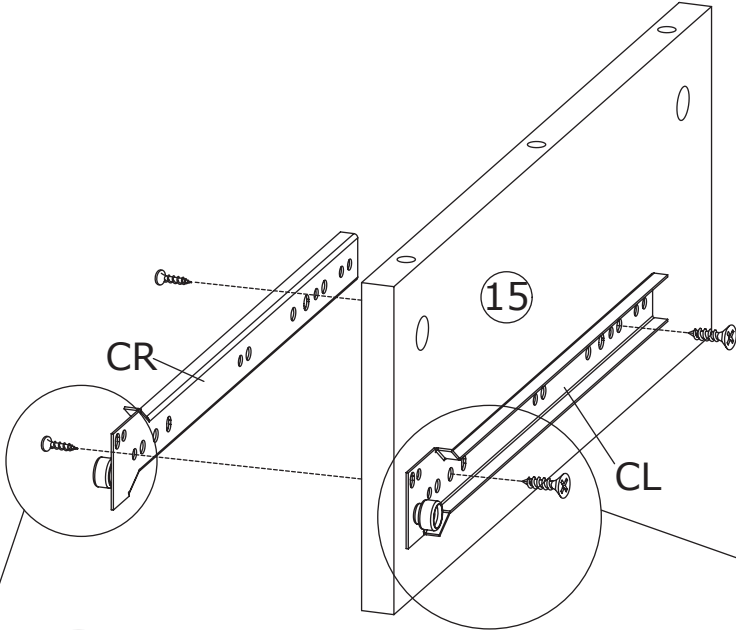
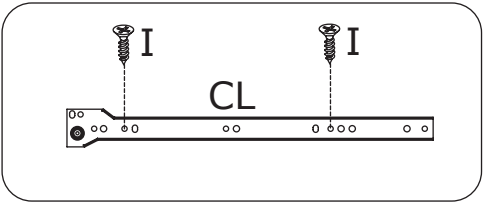
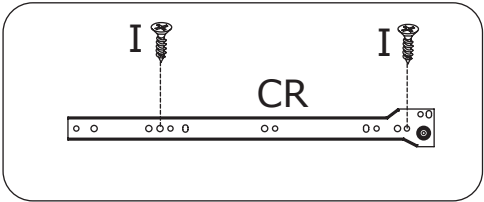
**Flip to back**



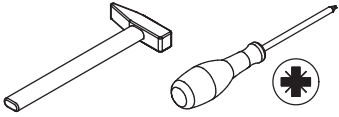
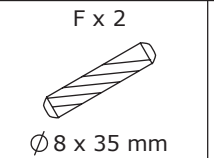
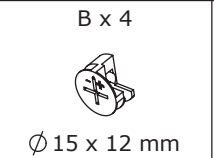
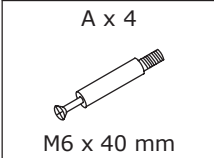
7



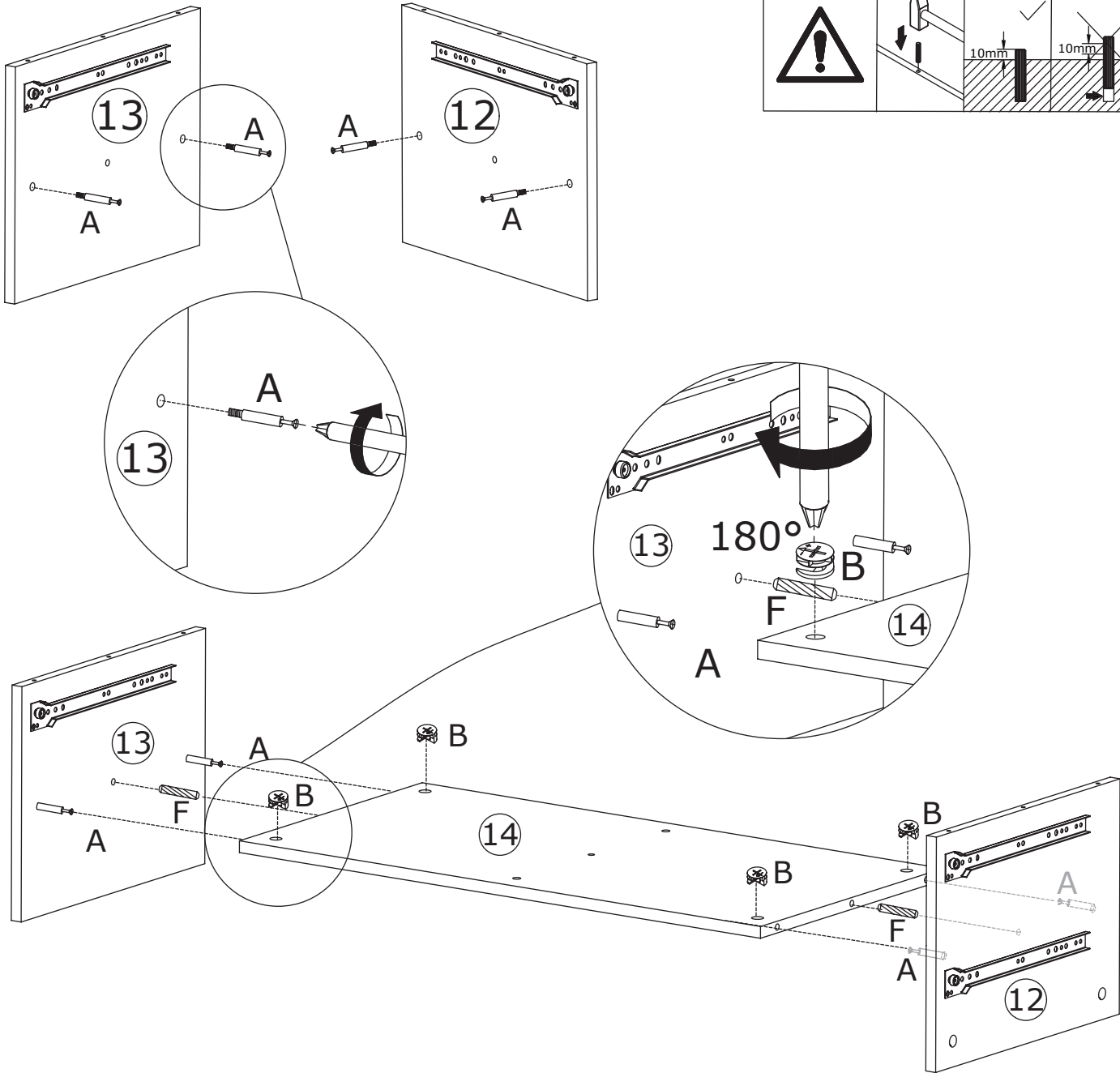
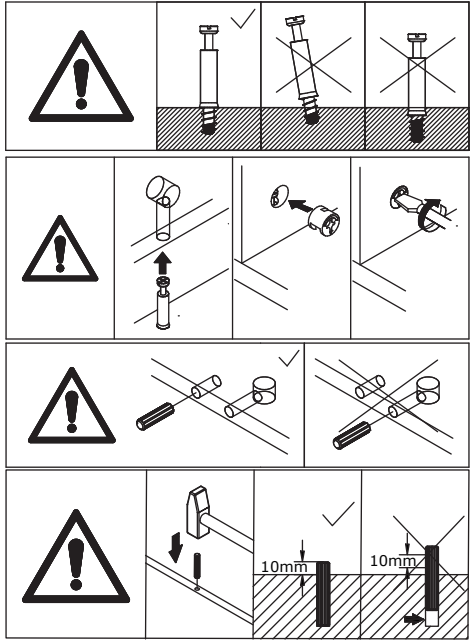
As shown, use screws (I) to fix the slide rails (CL) and (CR) to Panel 15.



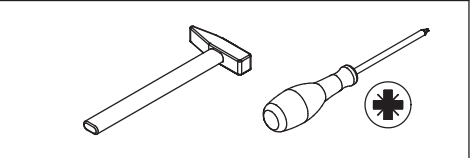
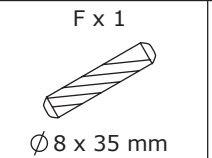
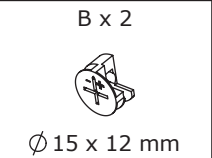
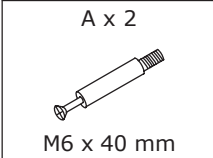
8



As shown, screw the self-tapping rods (A) into Panel 12 and Panel 13.  
Use wooden dowels (F) to connect Panel 12 and Panel 13 to Panel 14, and then insert the eccentric wheel (B) and rotate it clockwise to tighten.

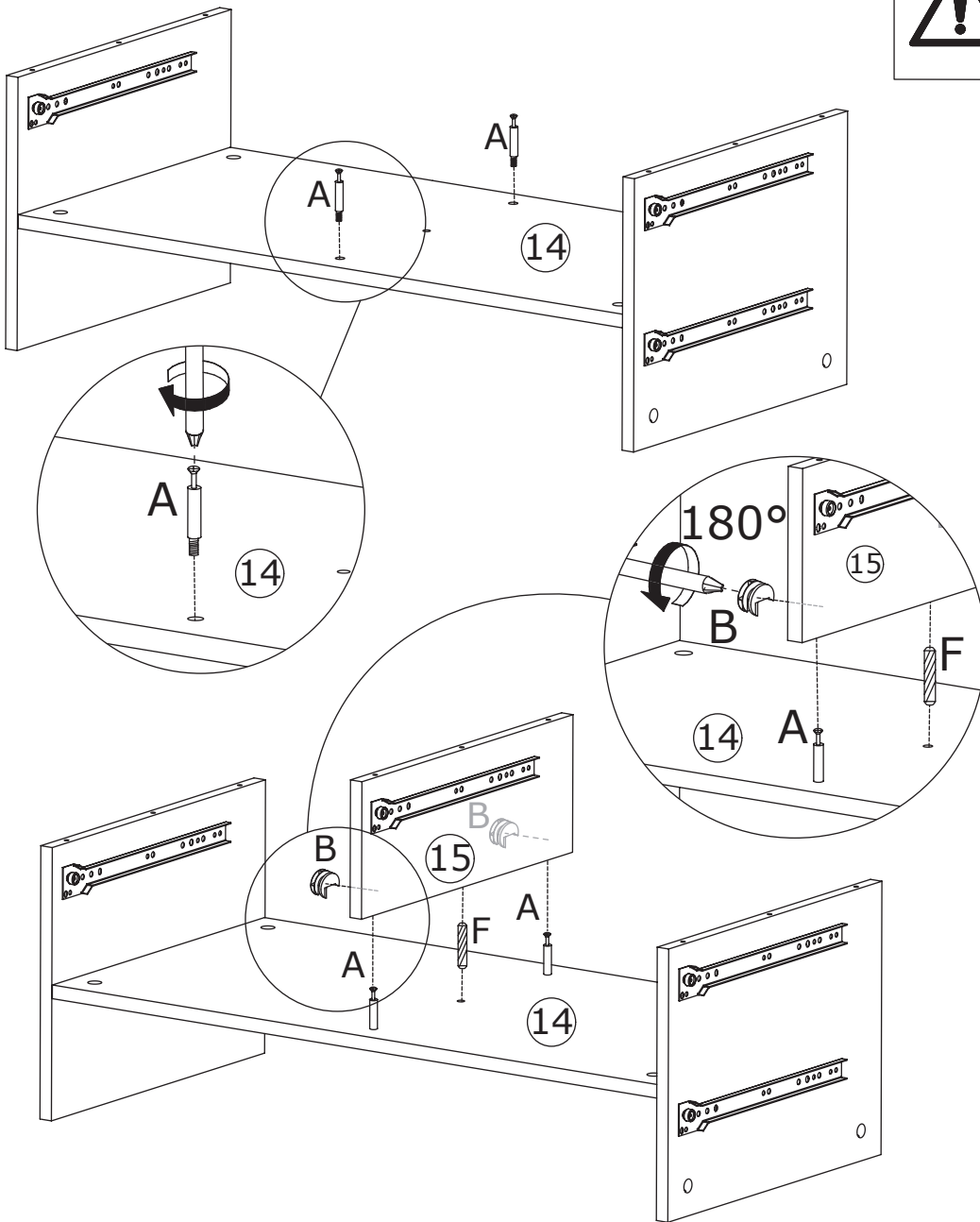
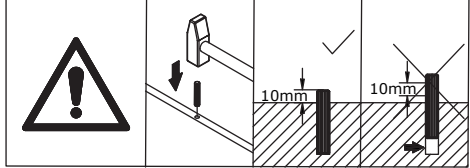
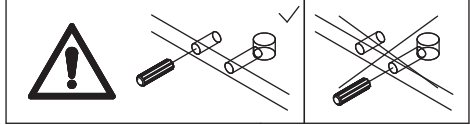
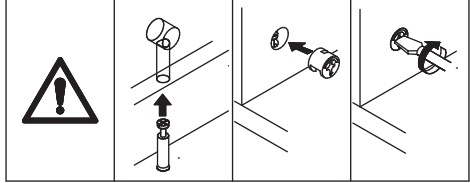
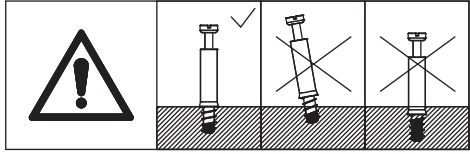


9

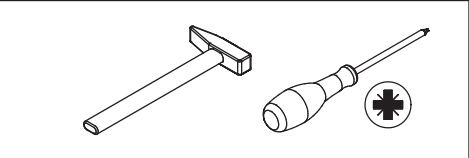
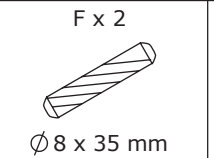
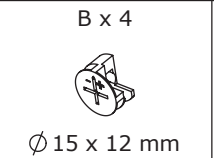
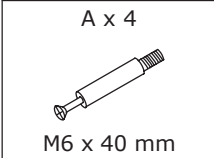


As shown, screw the self-tapping rod (A) into Panel 14.

Use the wooden dowel (F) to connect Panel 15 to Panel 14, and then insert the eccentric wheel (B) and rotate it clockwise to tighten.

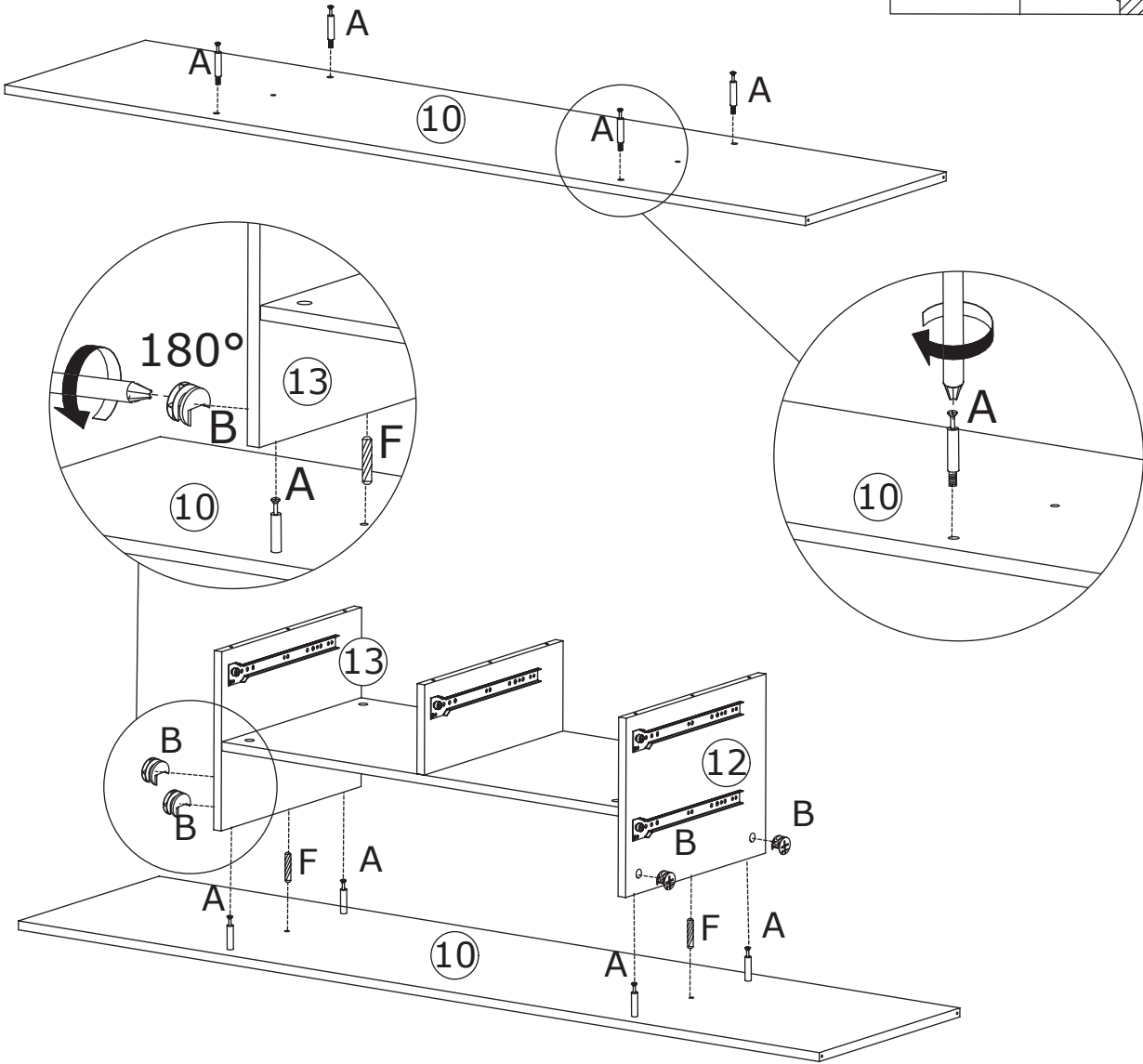
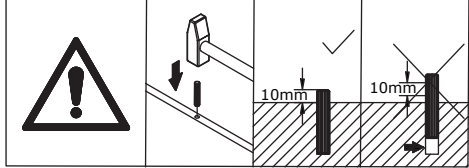
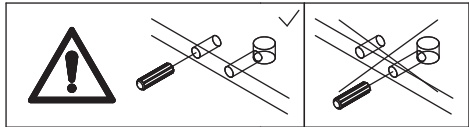
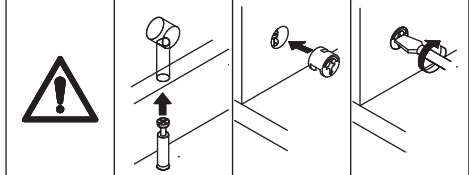
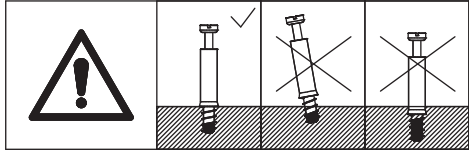


10



As shown, screw the self - tapping rod (A) into Panel 10.

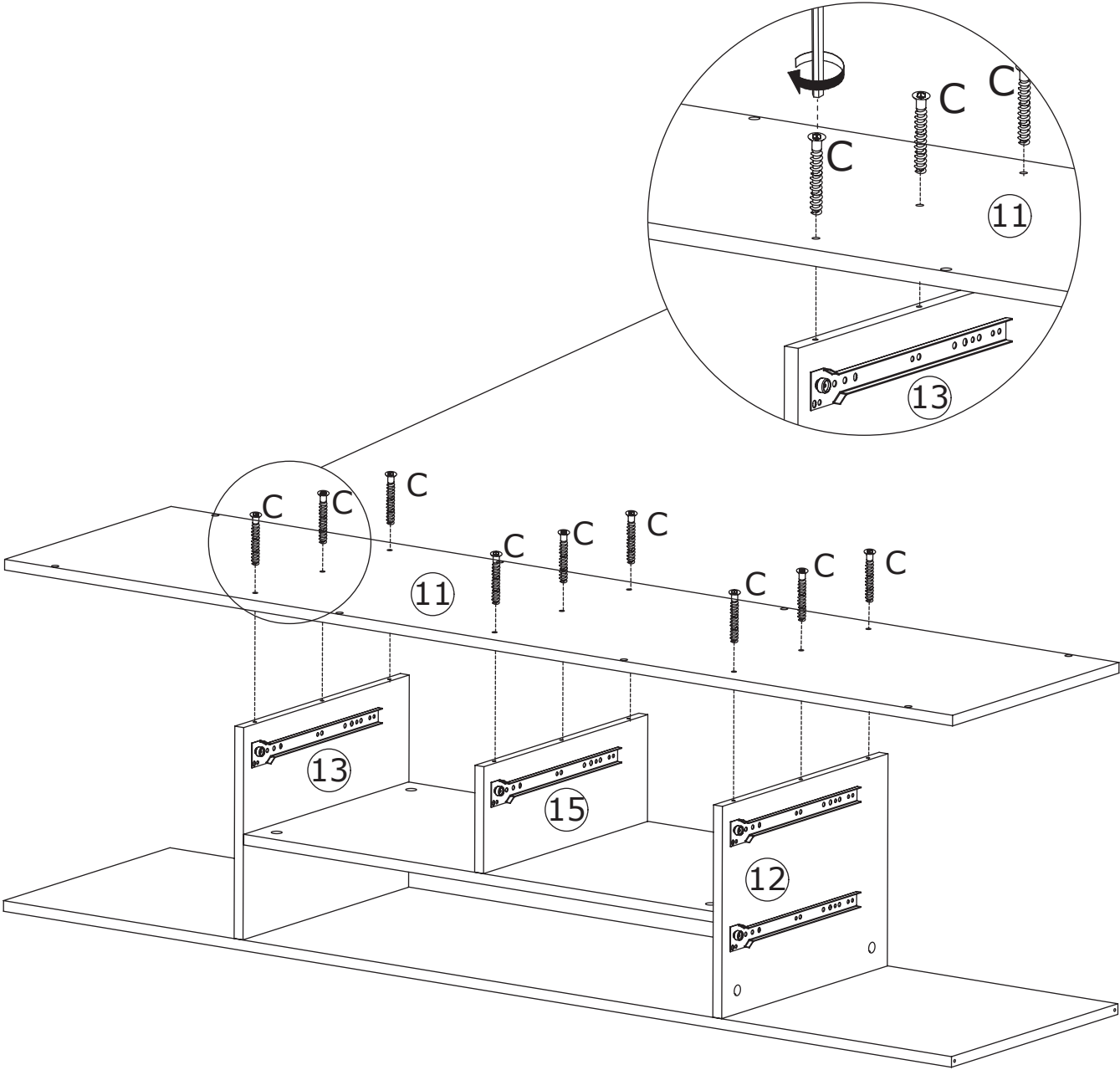
Use wooden dowels (F) to connect Panel 12 and Panel 13 to Panel 10, then insert the eccentric wheel (B) and rotate it clockwise to tighten.



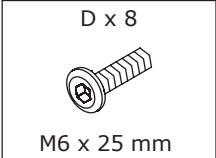
11



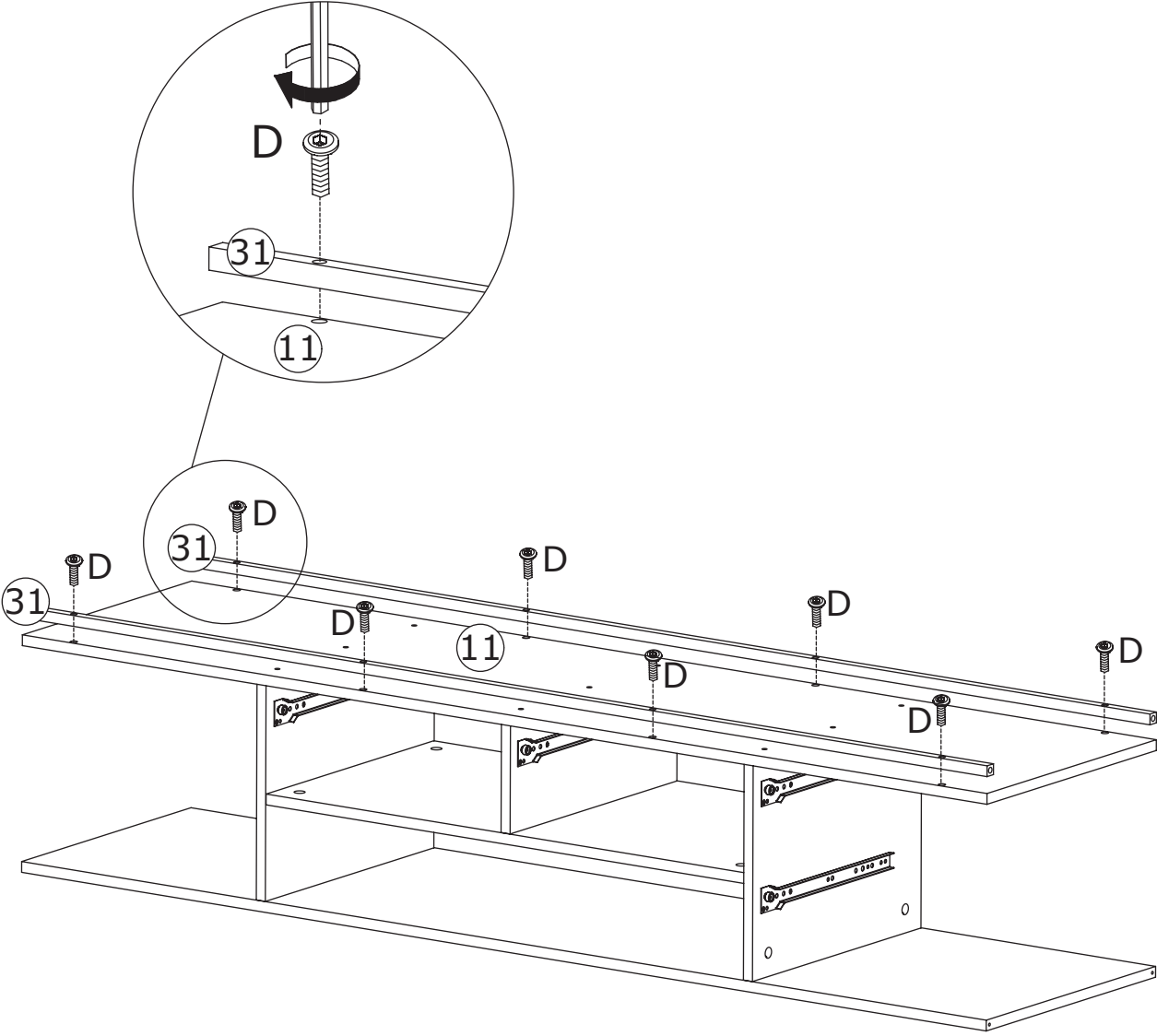
As shown, connect Panel 12, Panel 13 and Panel 15 to Panel 11, and fix them with screws (C).




12



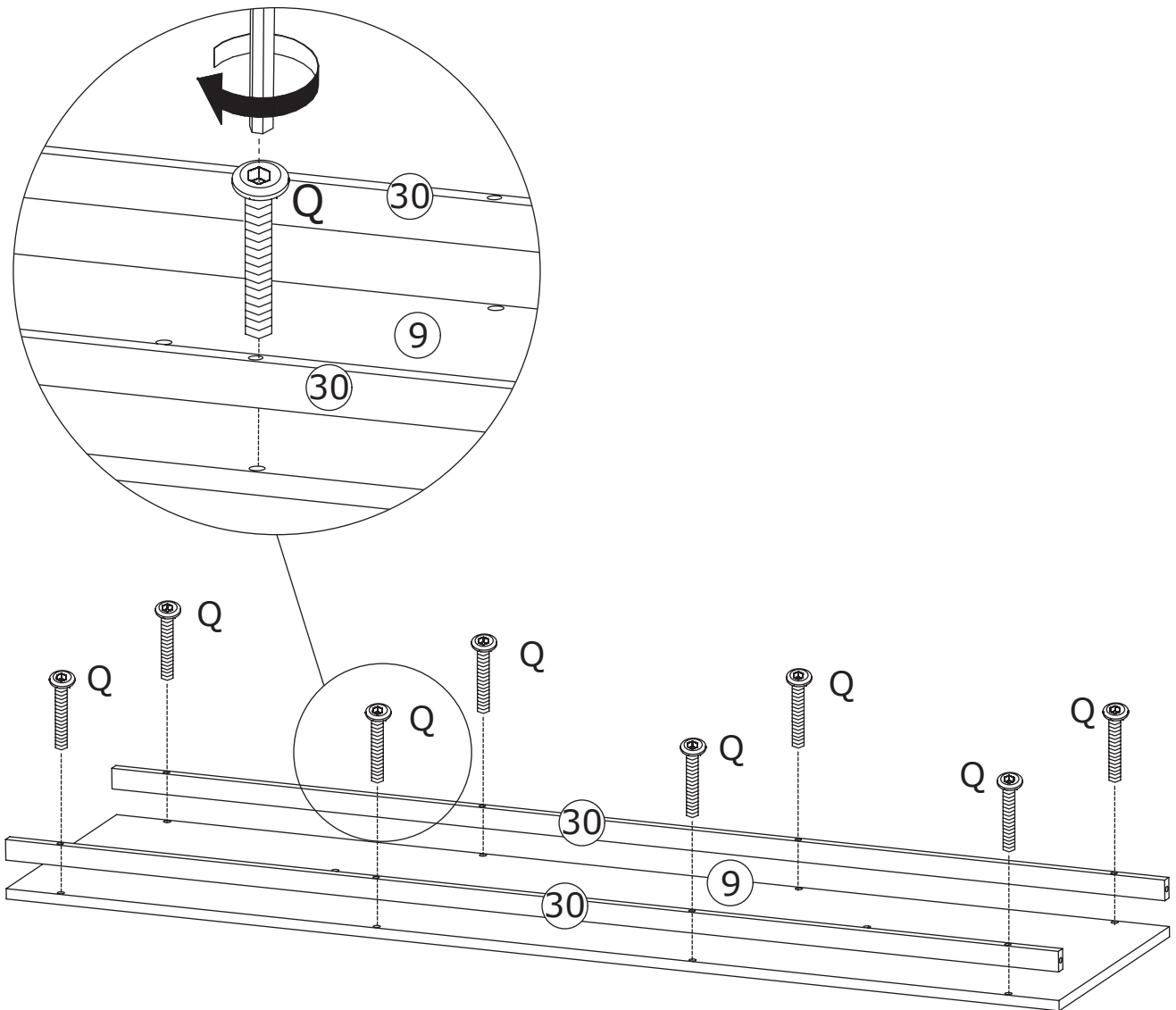
As show, use screws (D) to fix Part 31 to Panel 11.



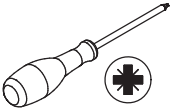
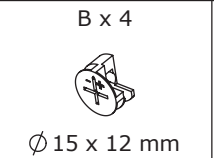
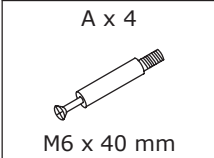
13

<p>Q x 8</p>  <p>M6 x 40 mm</p>	<p>M4 x 1</p> 	
--	---	--

As shown, use screws (Q) to fix Part 30 to Panel 9.

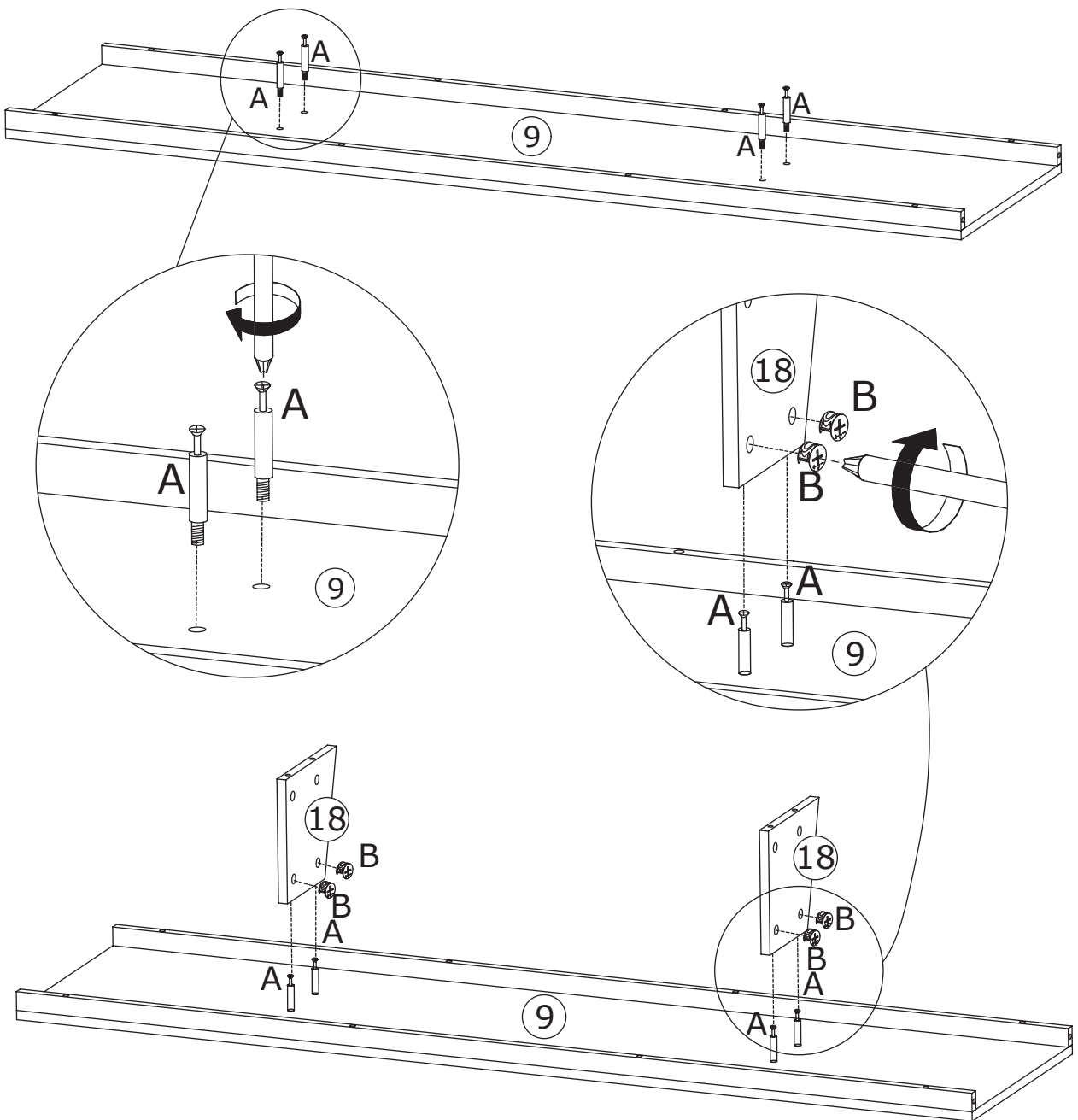
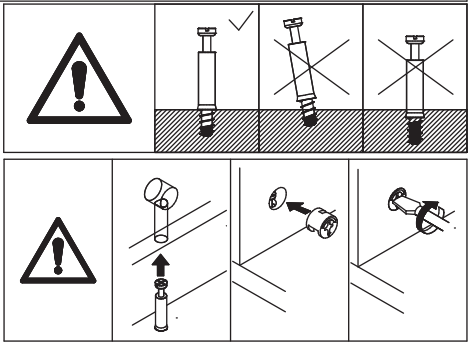


# 14

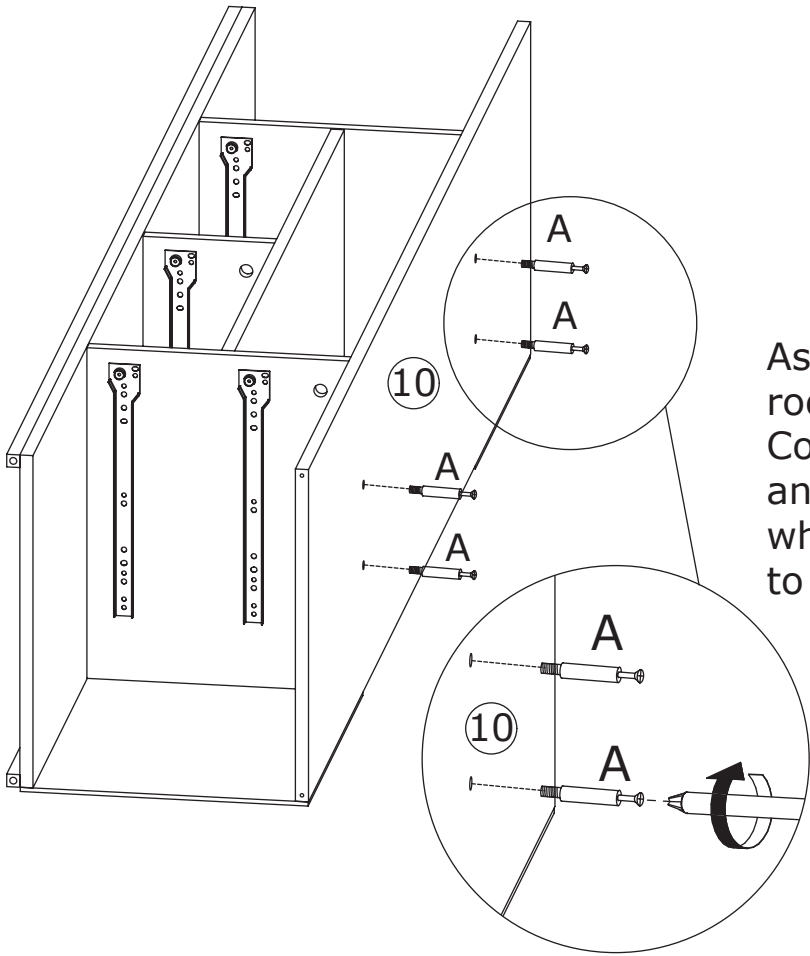
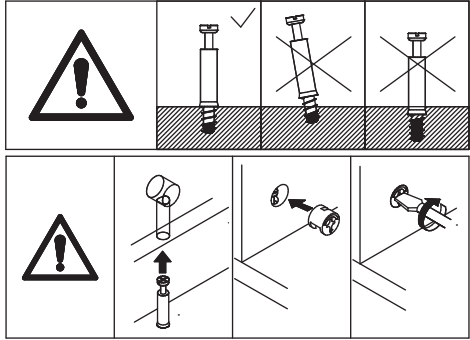
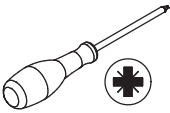
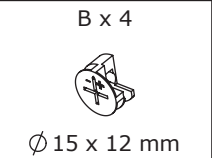
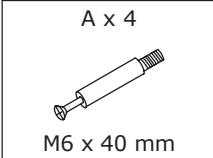


As shown, screw the self-tapping rod (A) into Panel 9.

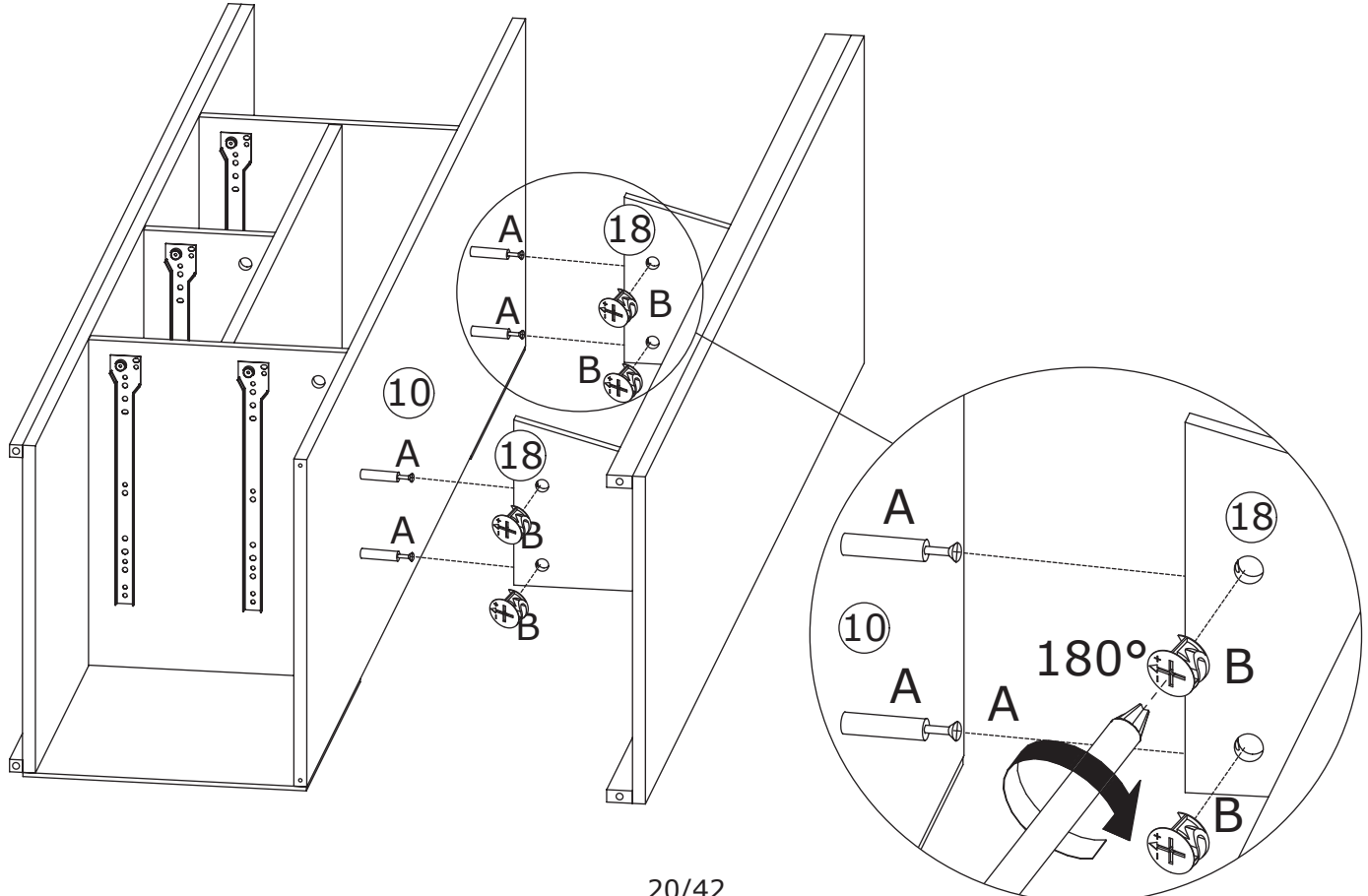
Connect Panel 18 to Panel 9, and then insert the eccentric wheel (B) and rotate it clockwise to tighten.



15



As shown, screw the self-tapping rod (A) into Panel 10. Connect Panel 18 to Panel 10, and then insert the eccentric wheel (B) and rotate it clockwise to tighten.



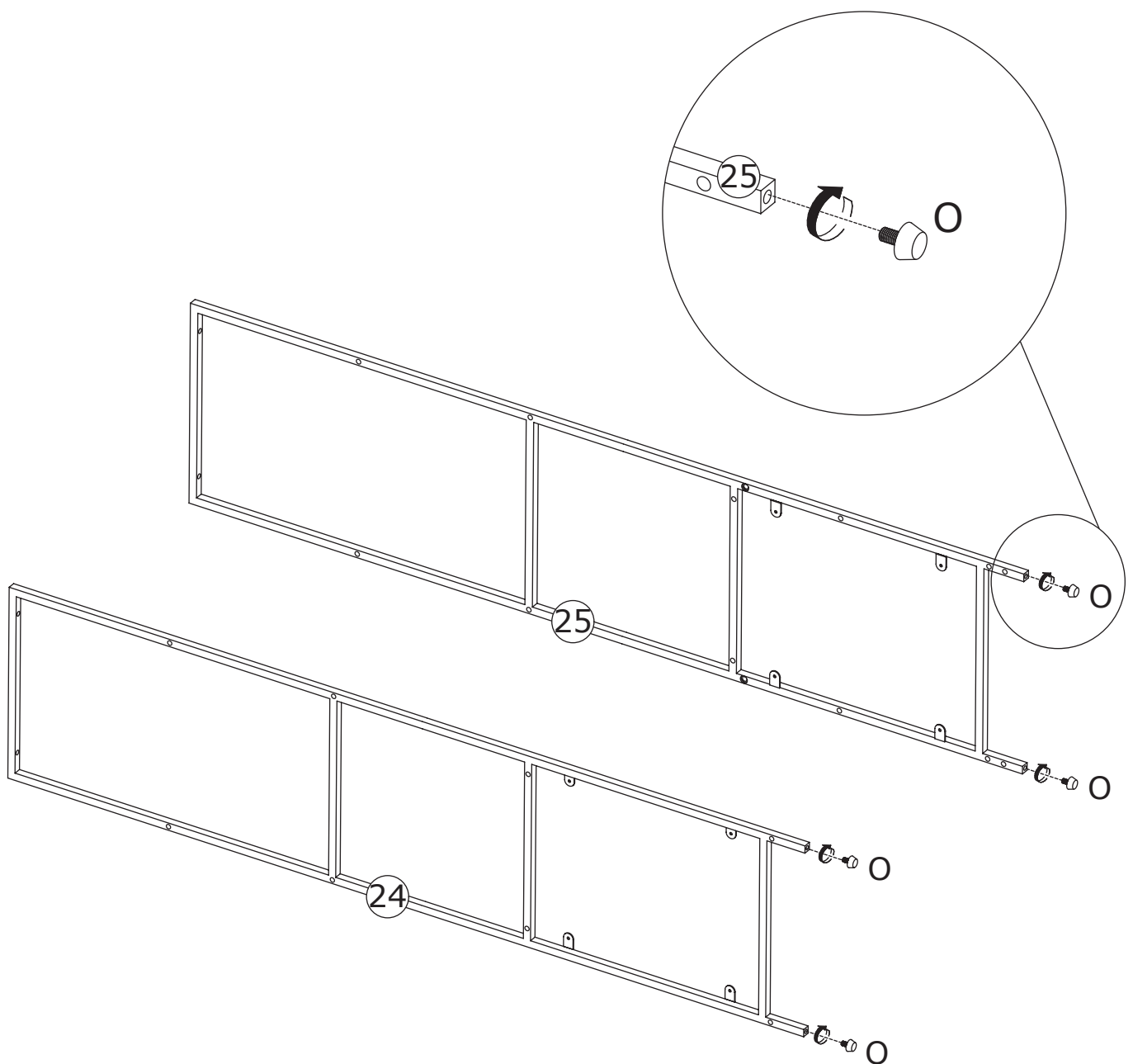
16

O x 4



M6

As shown, rotate foot pad (O) into Parts 24 and 25.



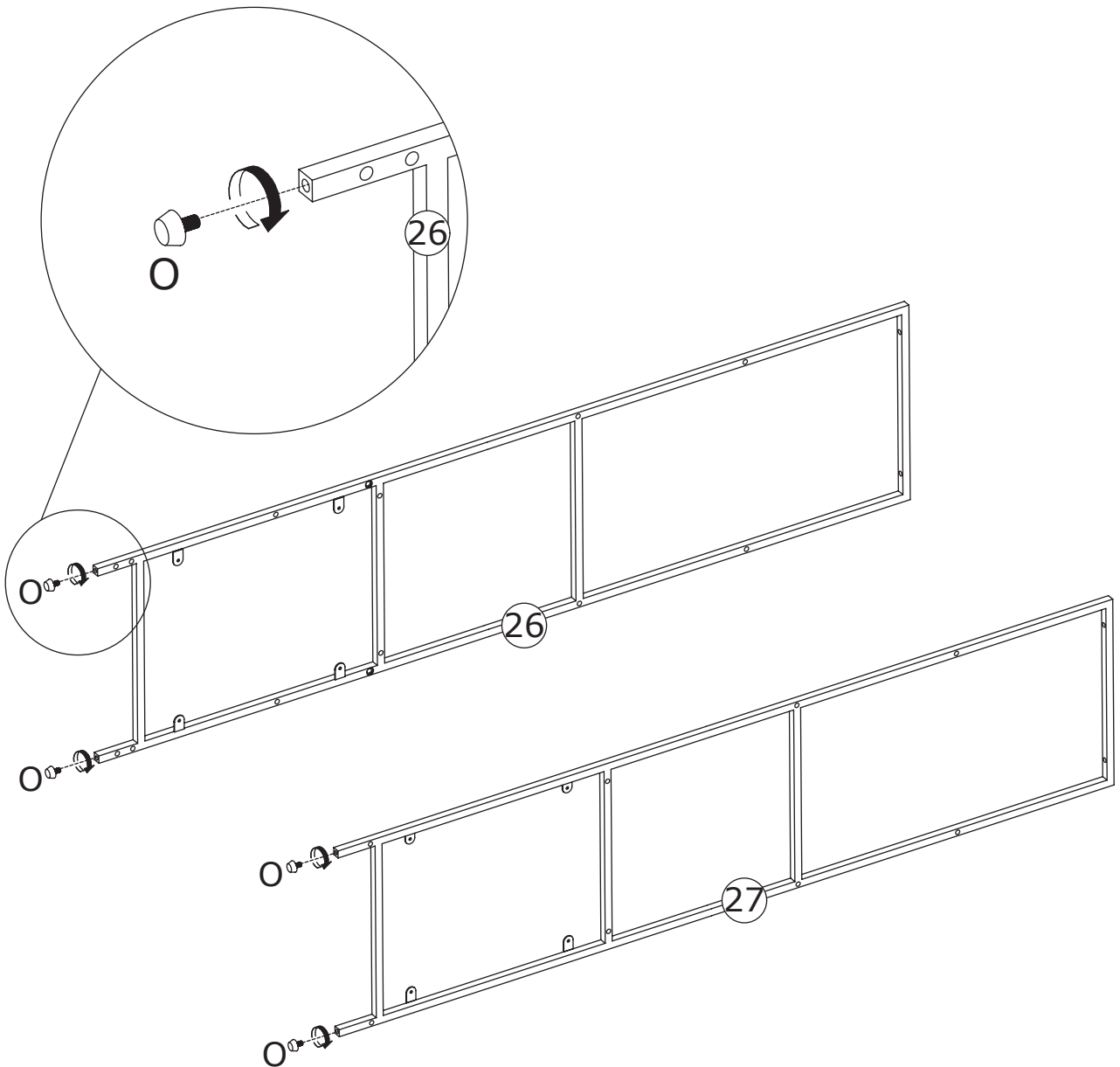
17

O x 4



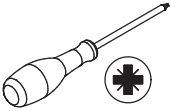
M6

As shown, rotate foot pad (O) into Parts 26 and 27.

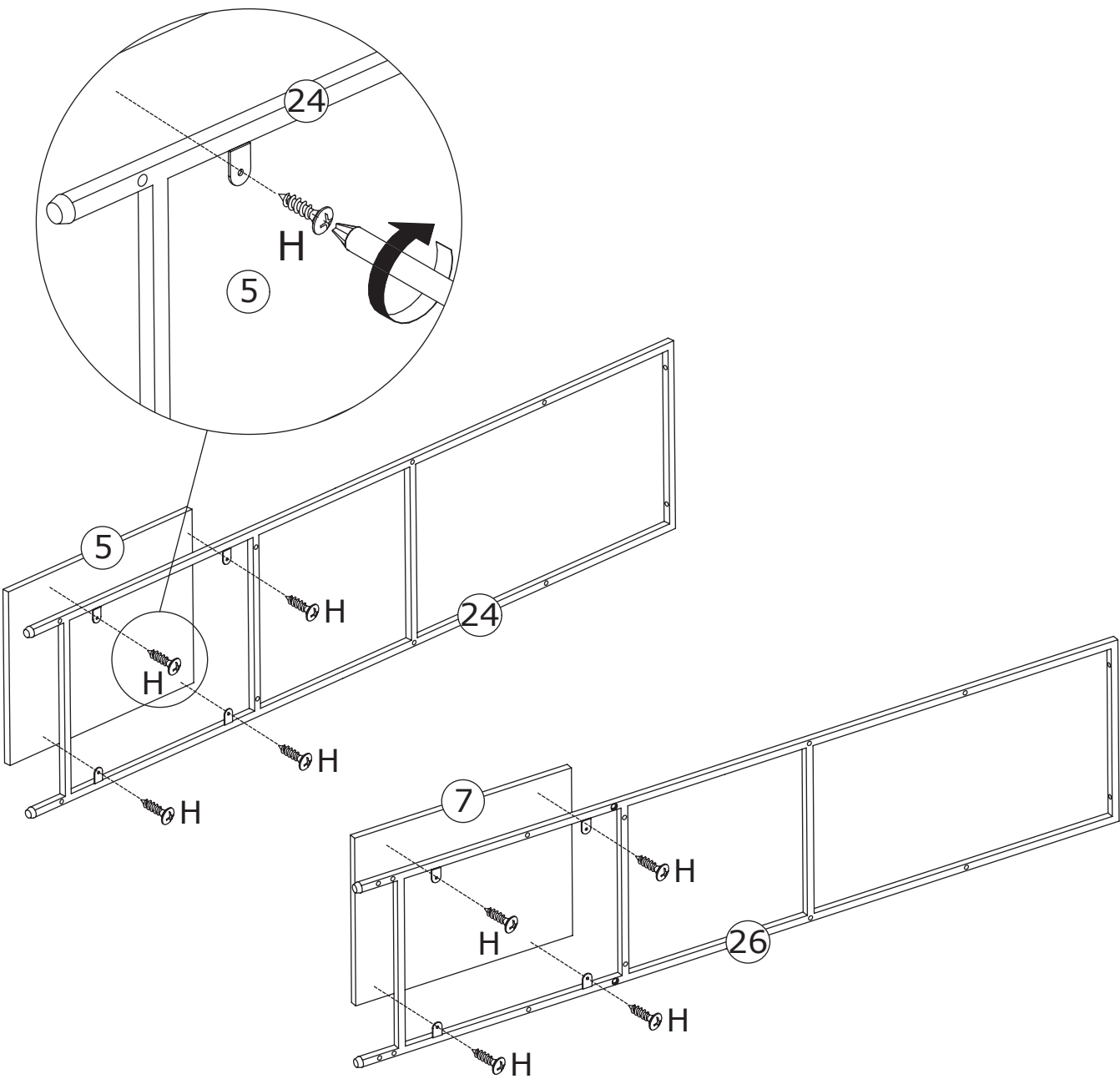


18

H x 8  
ST3.5 x 14 mm

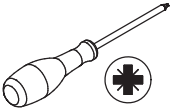


As shown, use screws (H) to fix Panel 5 and Panel 7 to Part 24 and Part 26 respectively.

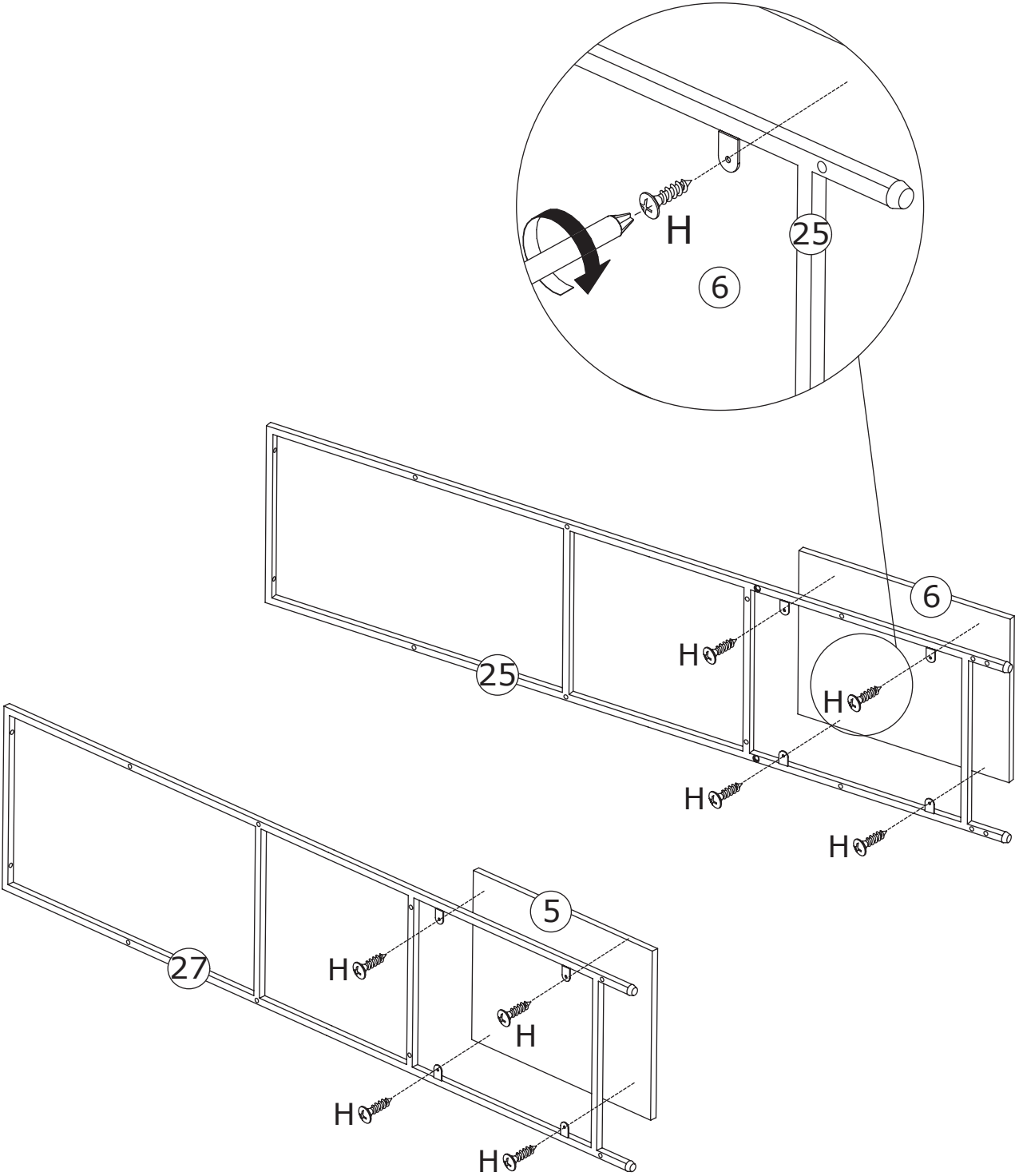


19

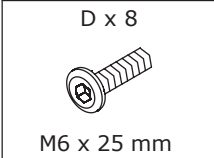
H x 8  
ST3.5 x 14 mm



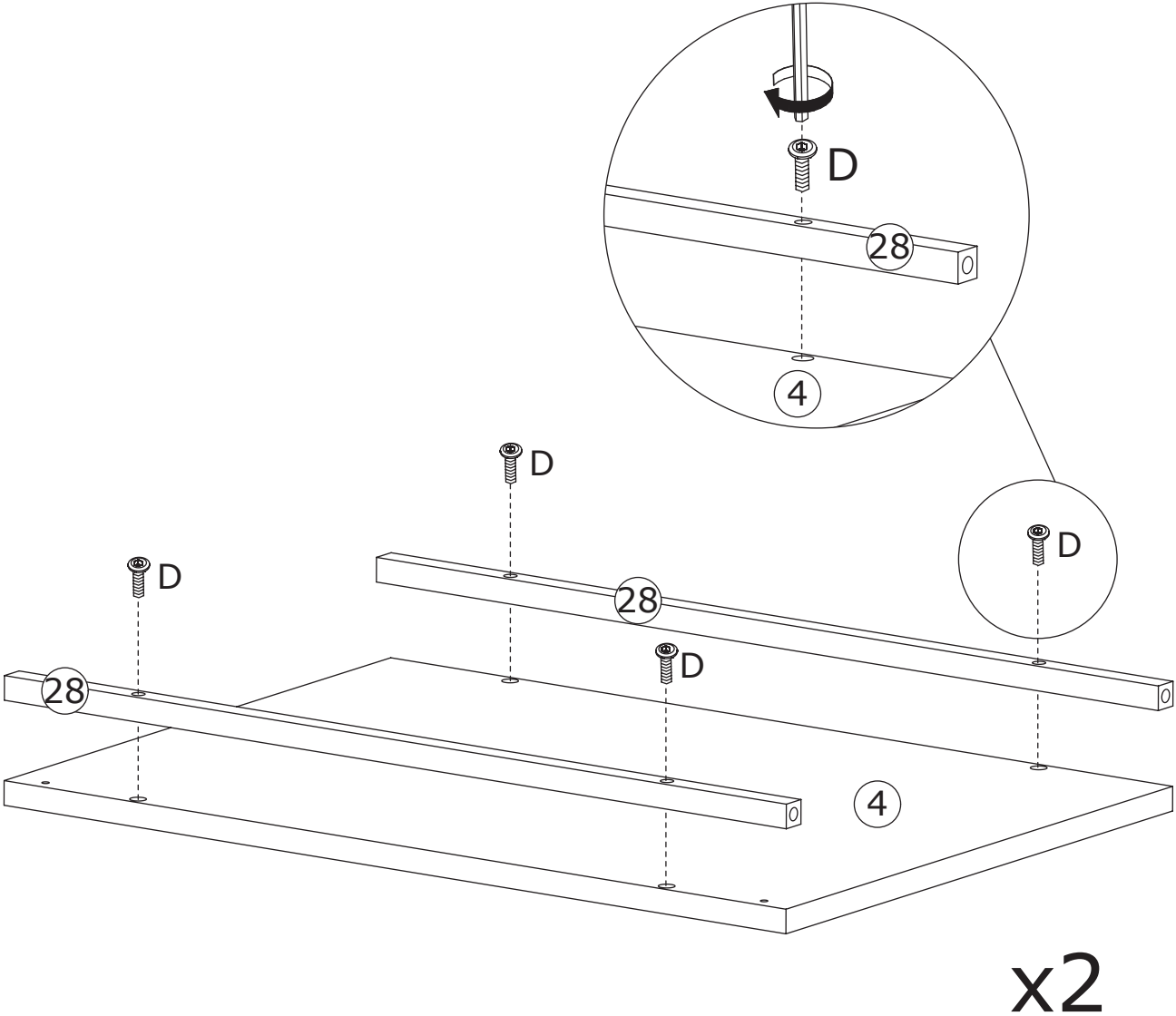
As shown, use screws (H) to fix Panel 5 and Panel 6 to Part 27 and Part 25 respectively.



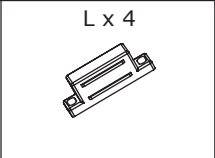
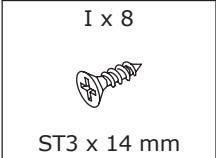
20



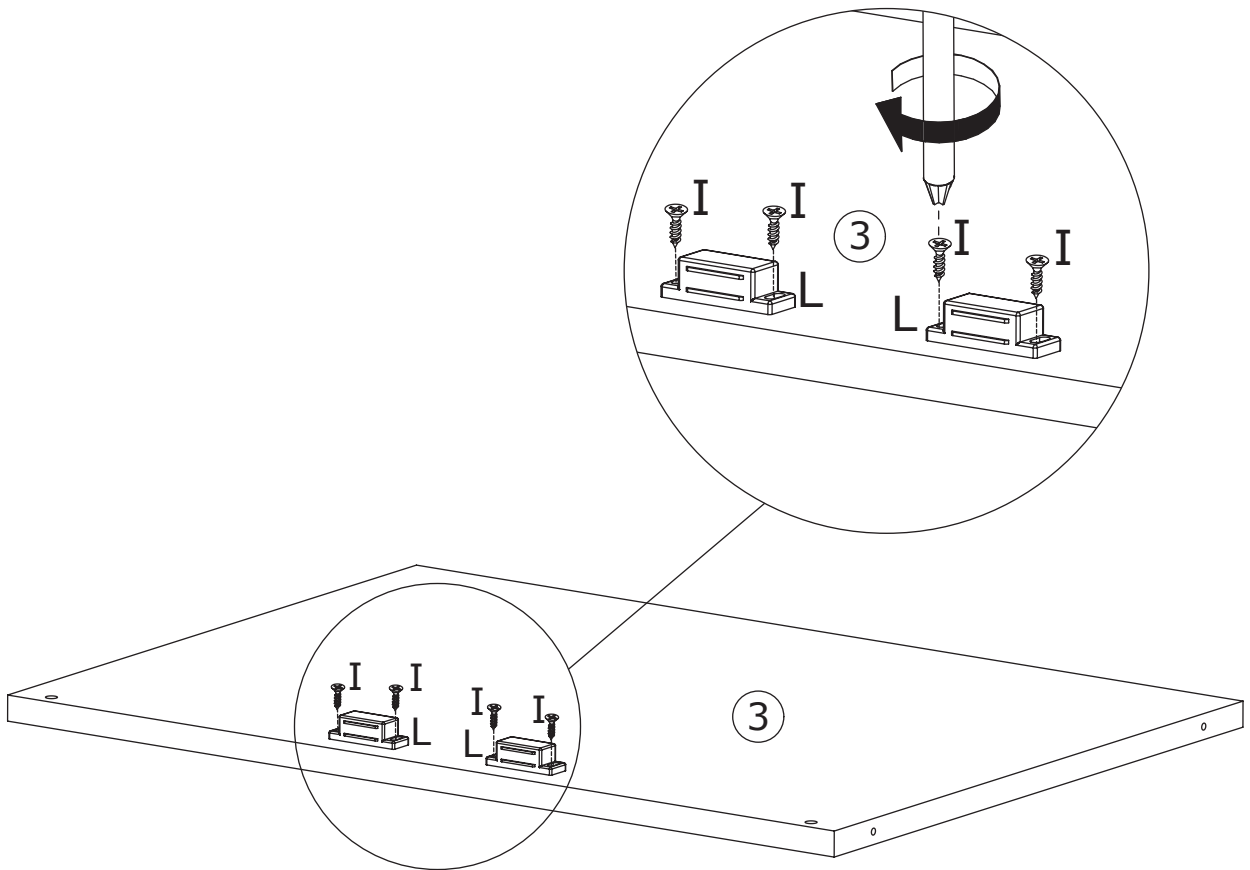
As shown, use screws (D) to fix Part 28 to Panel 4.



21

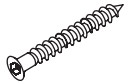
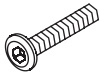
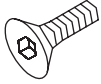



As shown, use screws (I) to fix the accessory (L) to Panel 3.

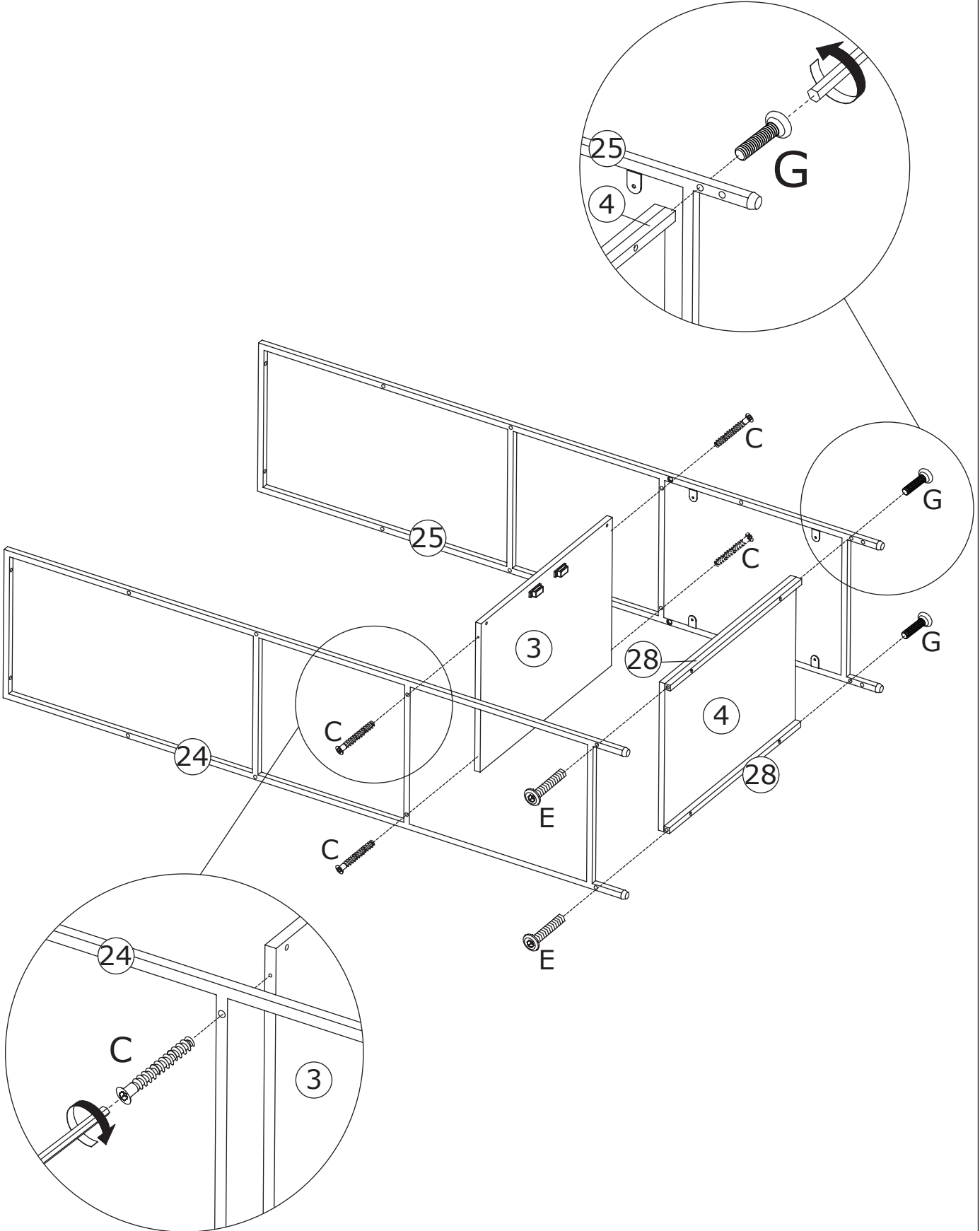


x2

22

C x 4  ST5 x 45 mm	E x 2  M6 x 30 mm	G x 2  M6 x 30 mm	M4 x 1 	
---	--	--	--	--

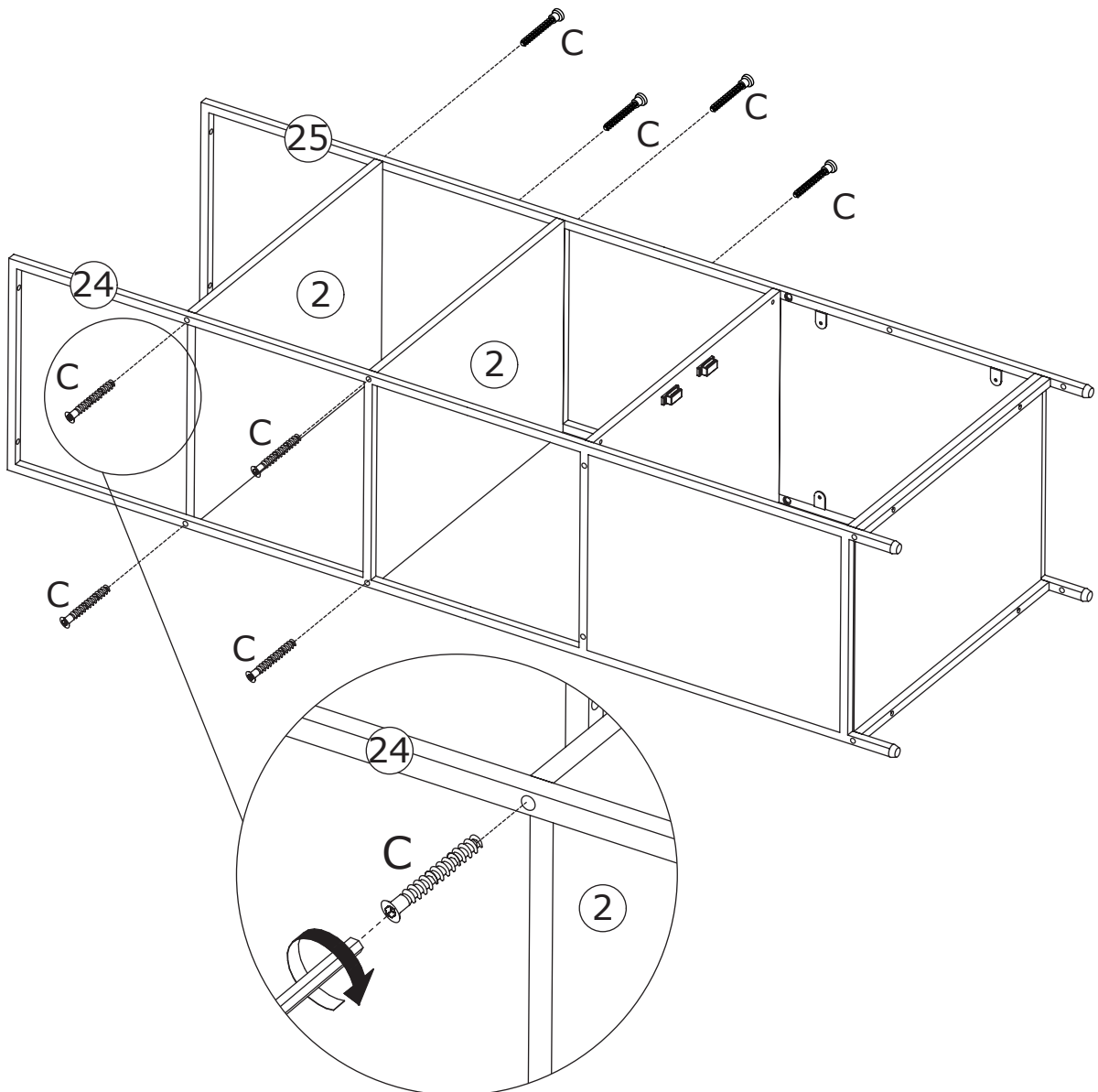
As shown, use screws (C) and (G) to connect  
and Panel 3 and Panel 4 to Parts 24 and 25.



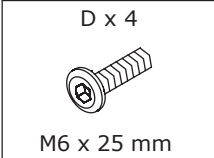
23



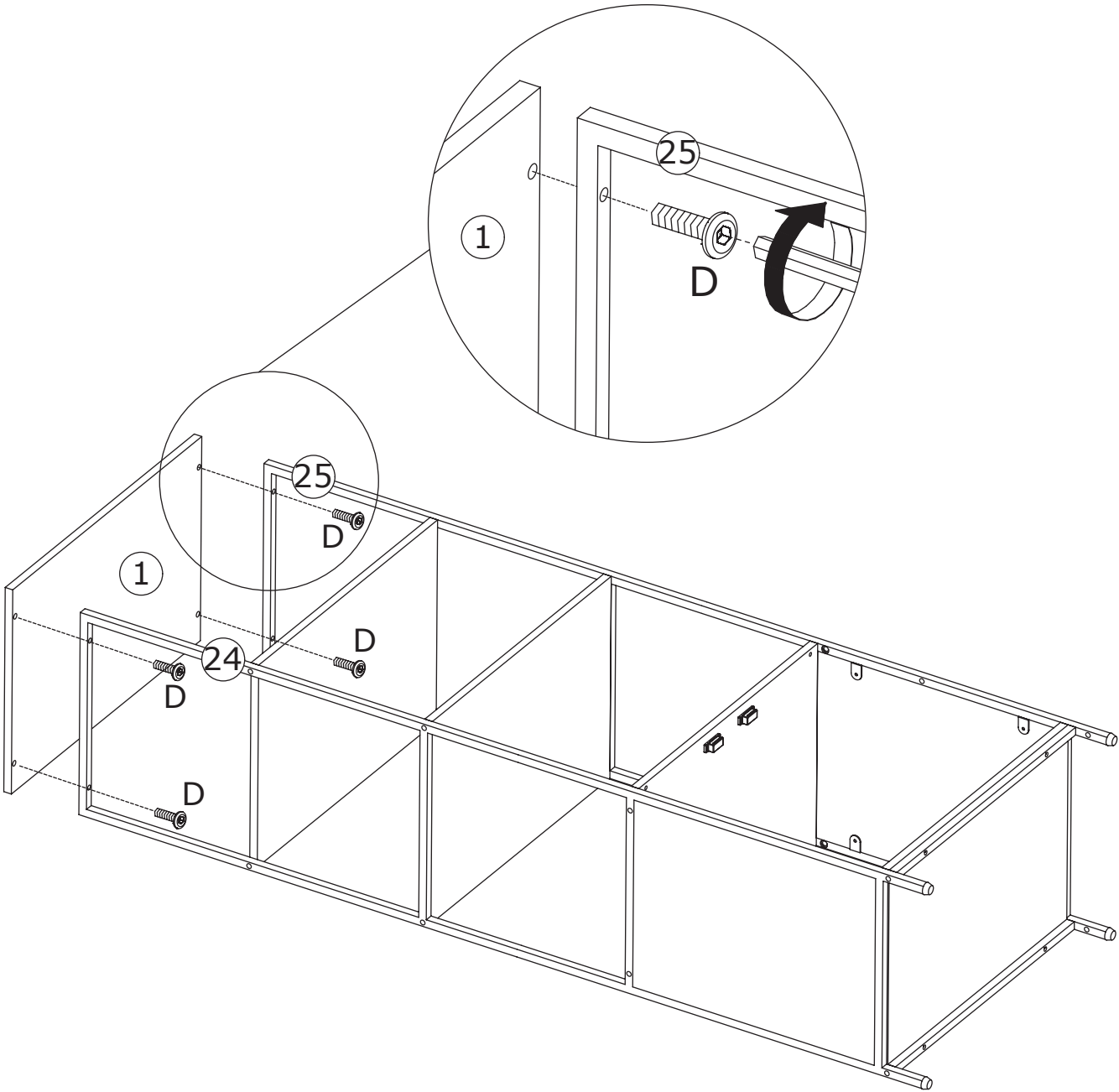
As shown, use screws (C) to connect Panel 2 to Parts 24 and 25.



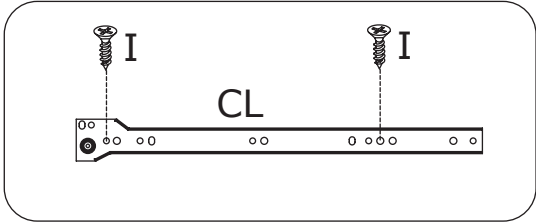
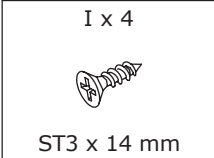
24



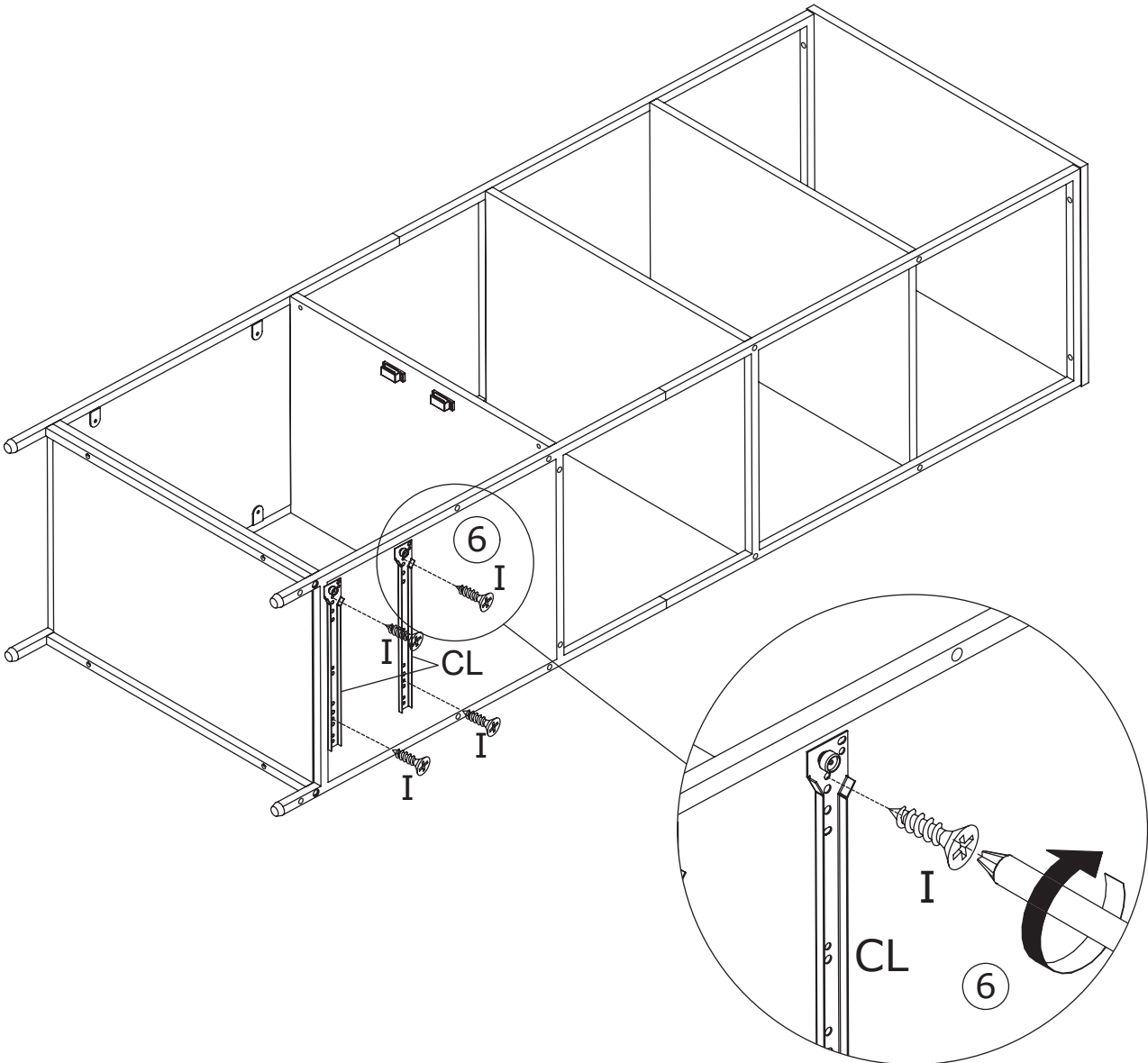
As shown, use screws (D) to connect Panel to with Parts 24 and 25.



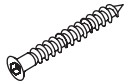
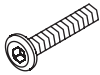
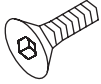

25



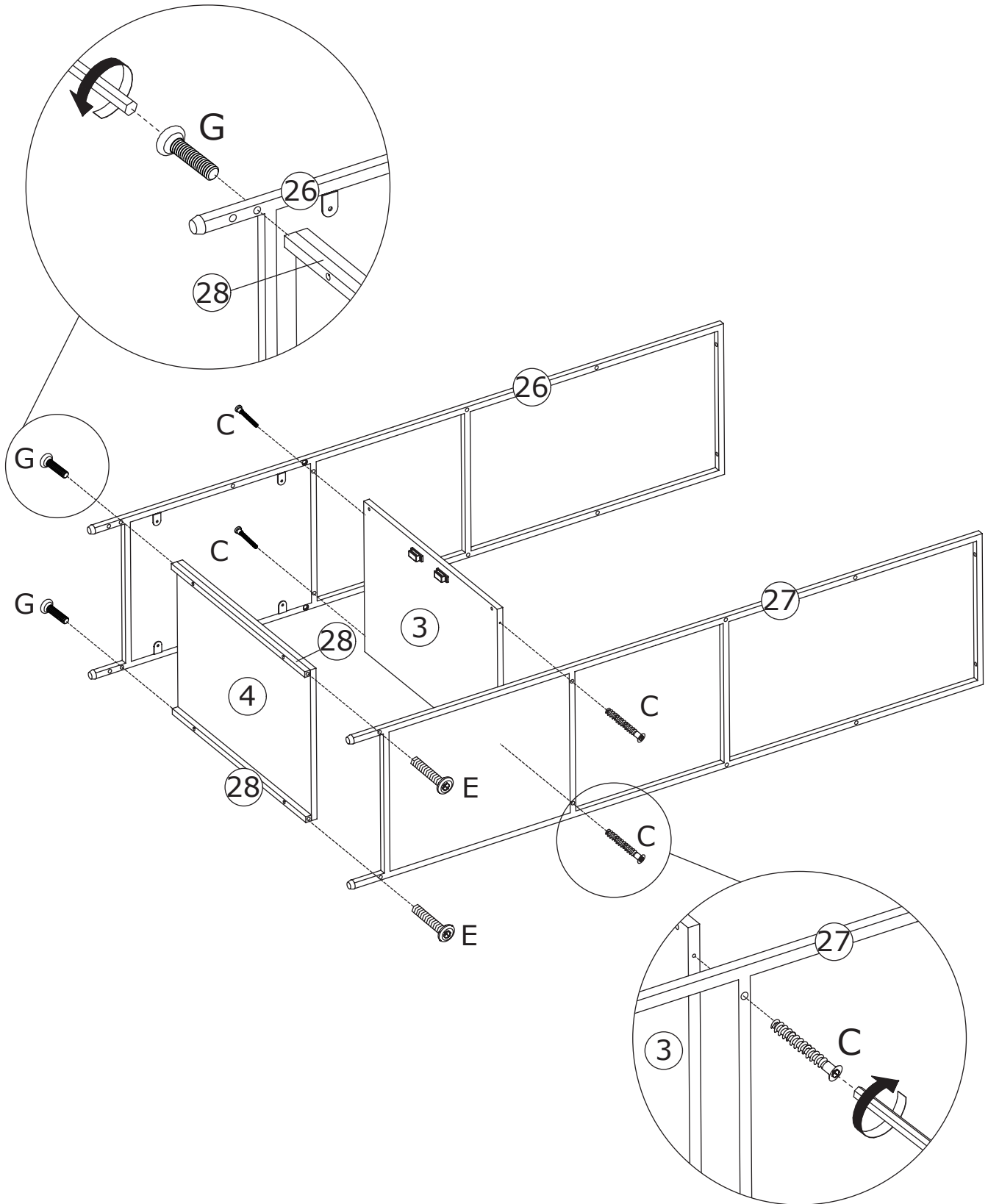
As shown, use screws (I) to fix the slide rail (CL) to Panel 6.



# 26

C x 4  ST5 x 45 mm	E x 2  M6 x 30 mm	G x 2  M6 x 30 mm	M4 x 1 	
---	--	--	--	--

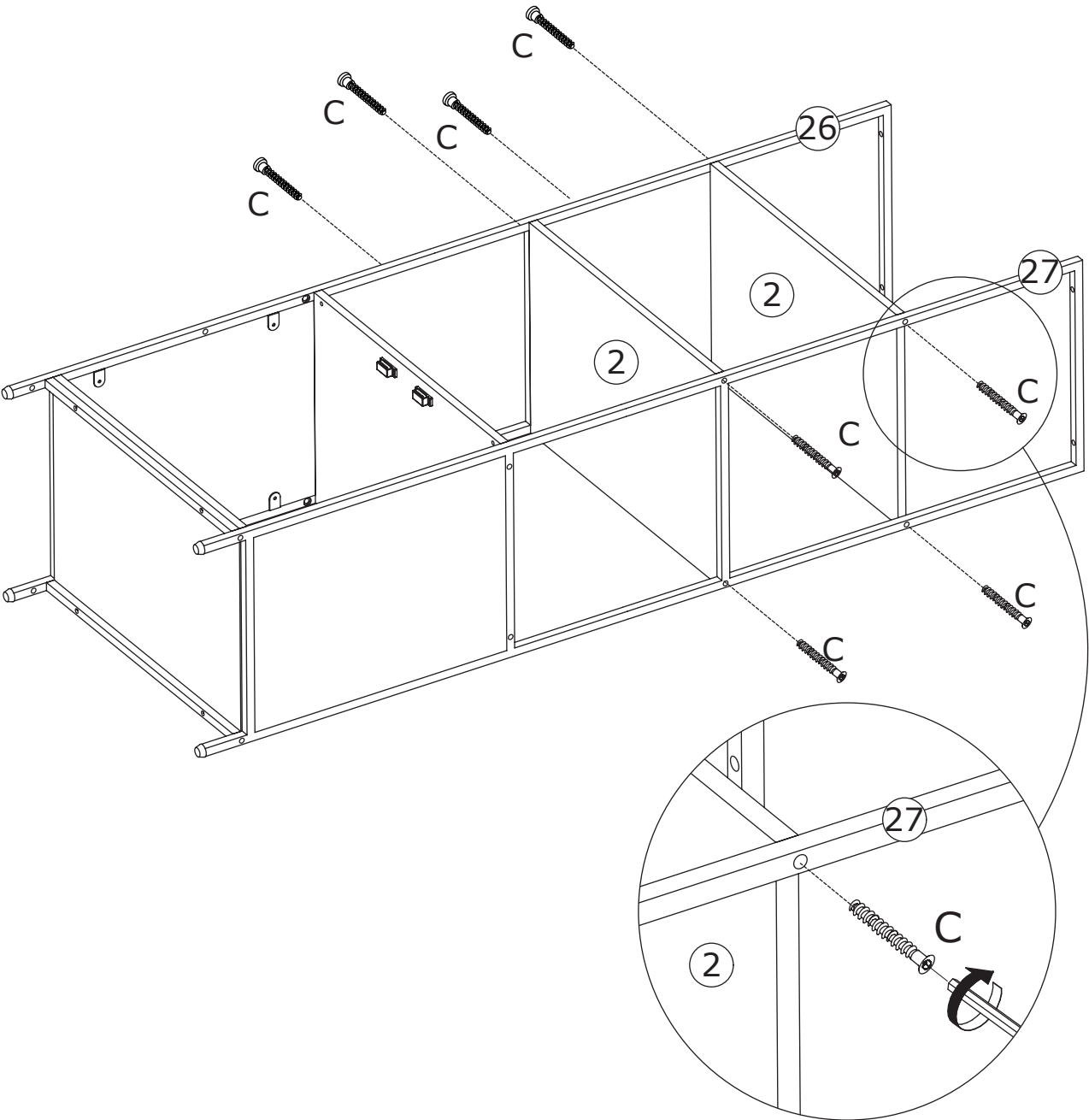
As shown, use screws (C), (G) and (E) to connect Panel 3 and Panel 4 to Parts 26 and 27.



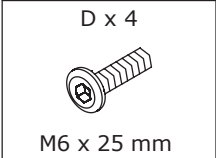
27



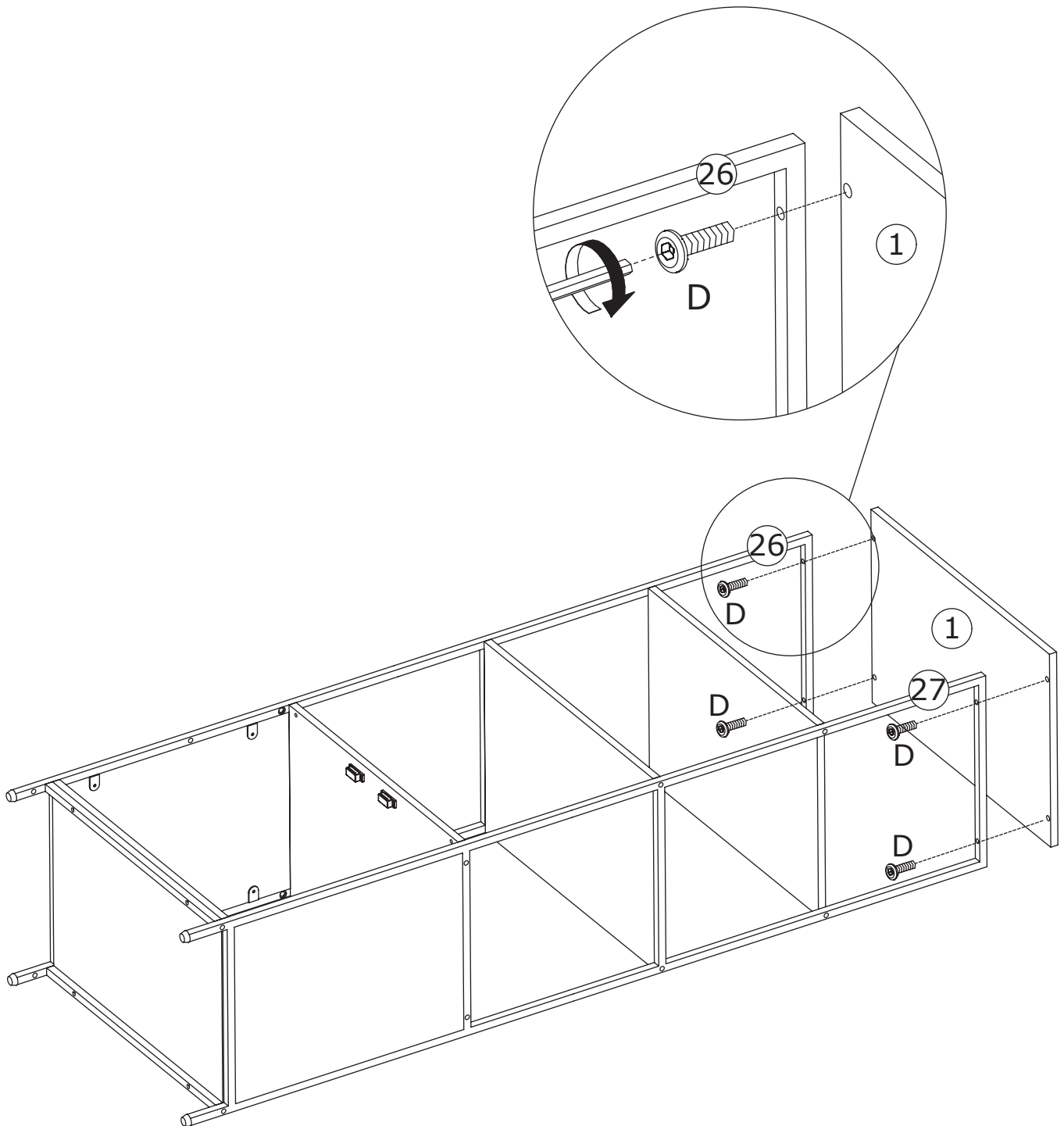
As shown, use screws (C) to connect Panel 2 to Parts 26 and 27.



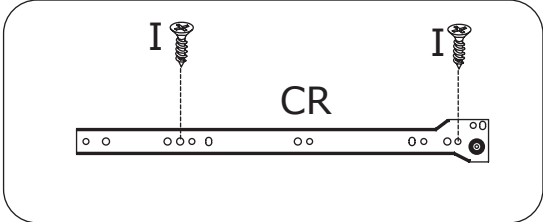
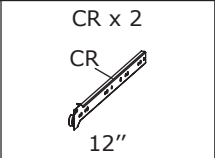
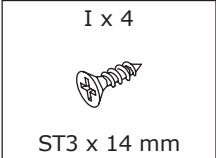
28



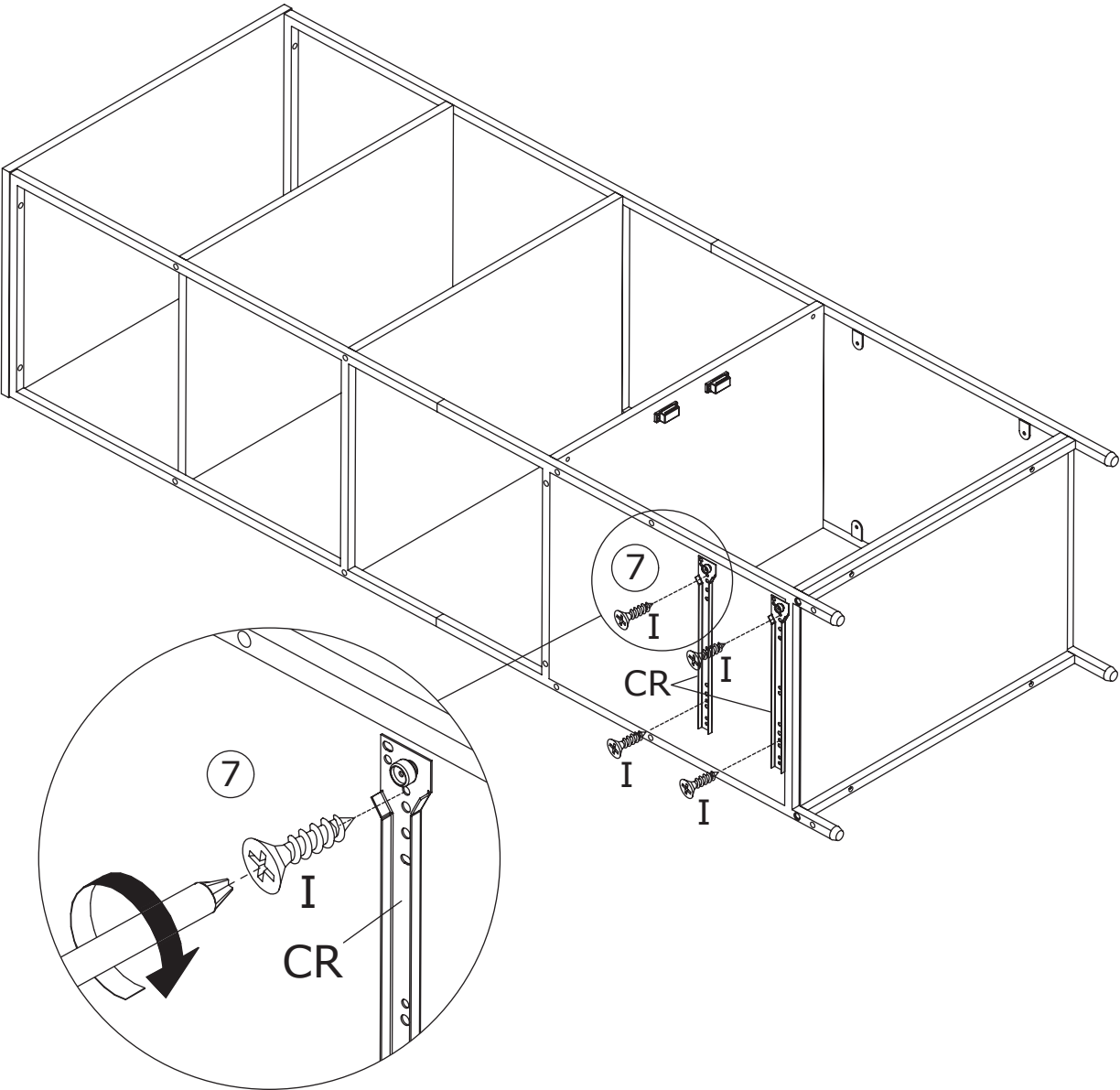
As shown, use screws (D) to connect Panel 1 to Parts 26 and 27.



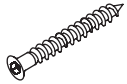
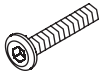
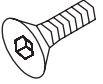

29



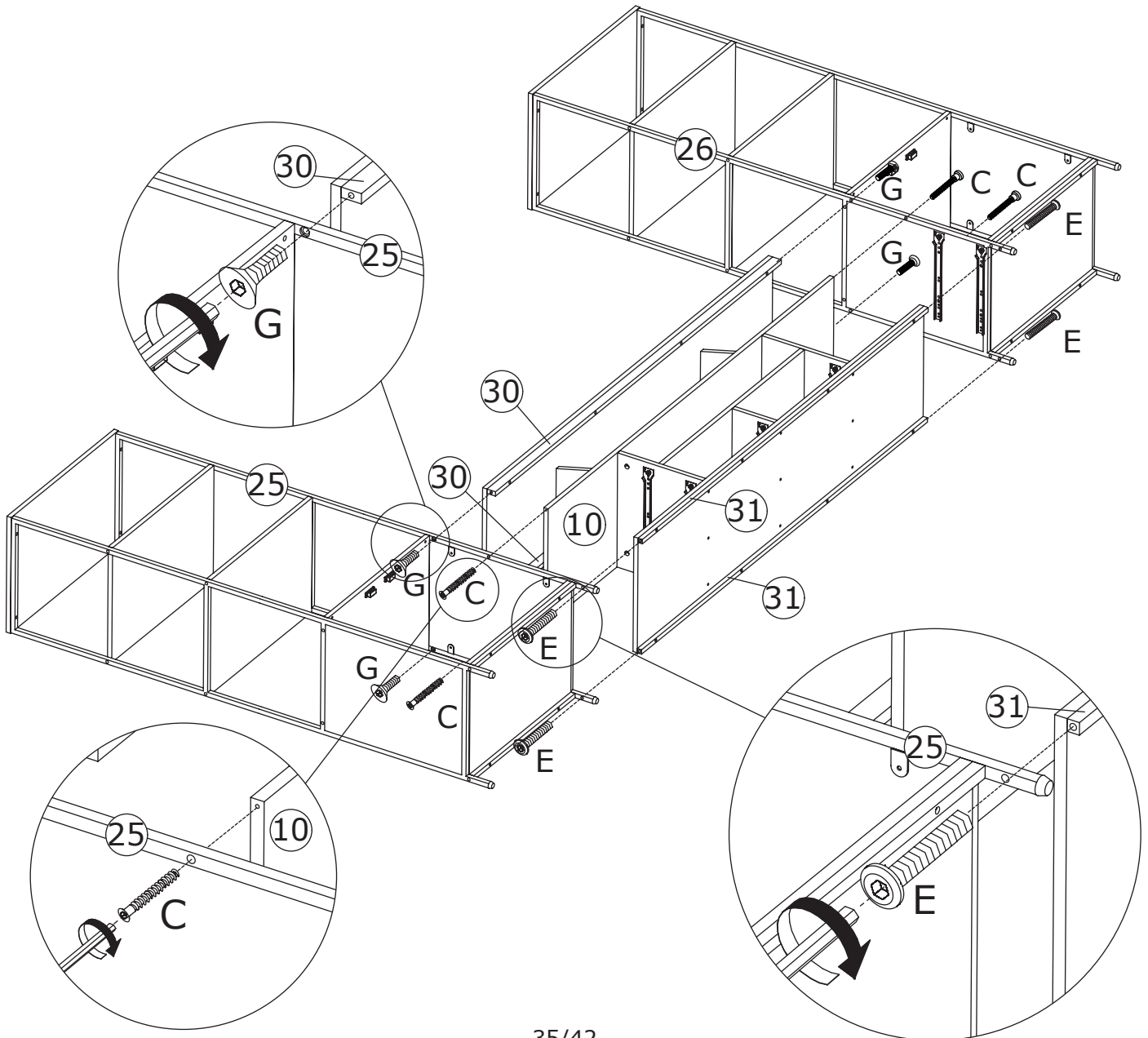
As shown, use screws (I) to fix the slide rail (CR) to Panel 7.





30

C x 4  ST5 x 45 mm	E x 4  M6 x 30 mm	G x 4  M6 x 30 mm	M4 x 1 	
---	--	--	--	--

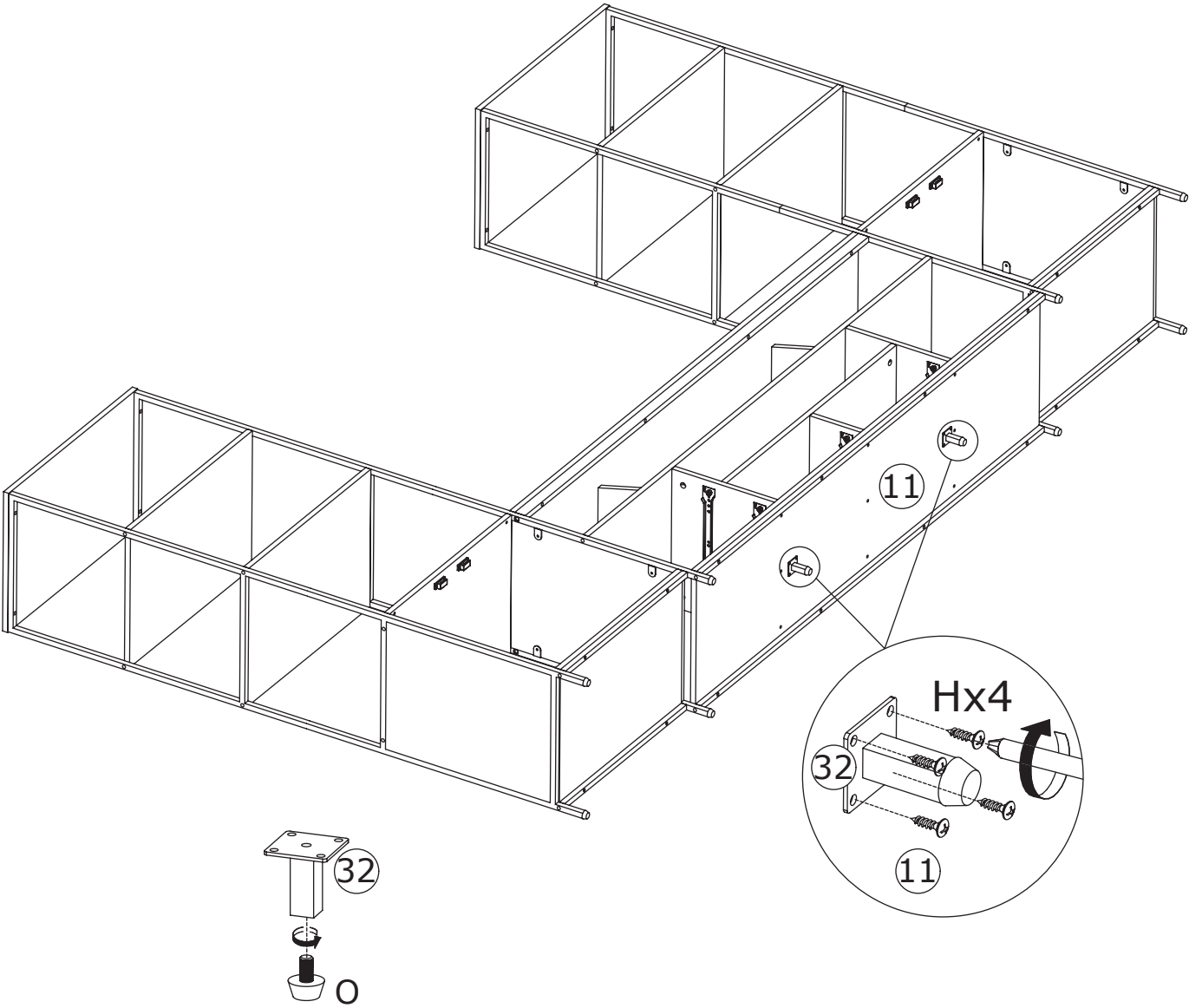
As shown, use screws (C), (G) and (E) to connect the assembled units.



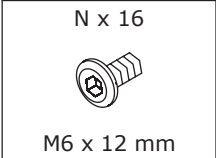
31

<p>O x 2</p>  <p>M6</p>	<p>H x 8</p>  <p>ST3.5 x 14 mm</p>	
--	---	---

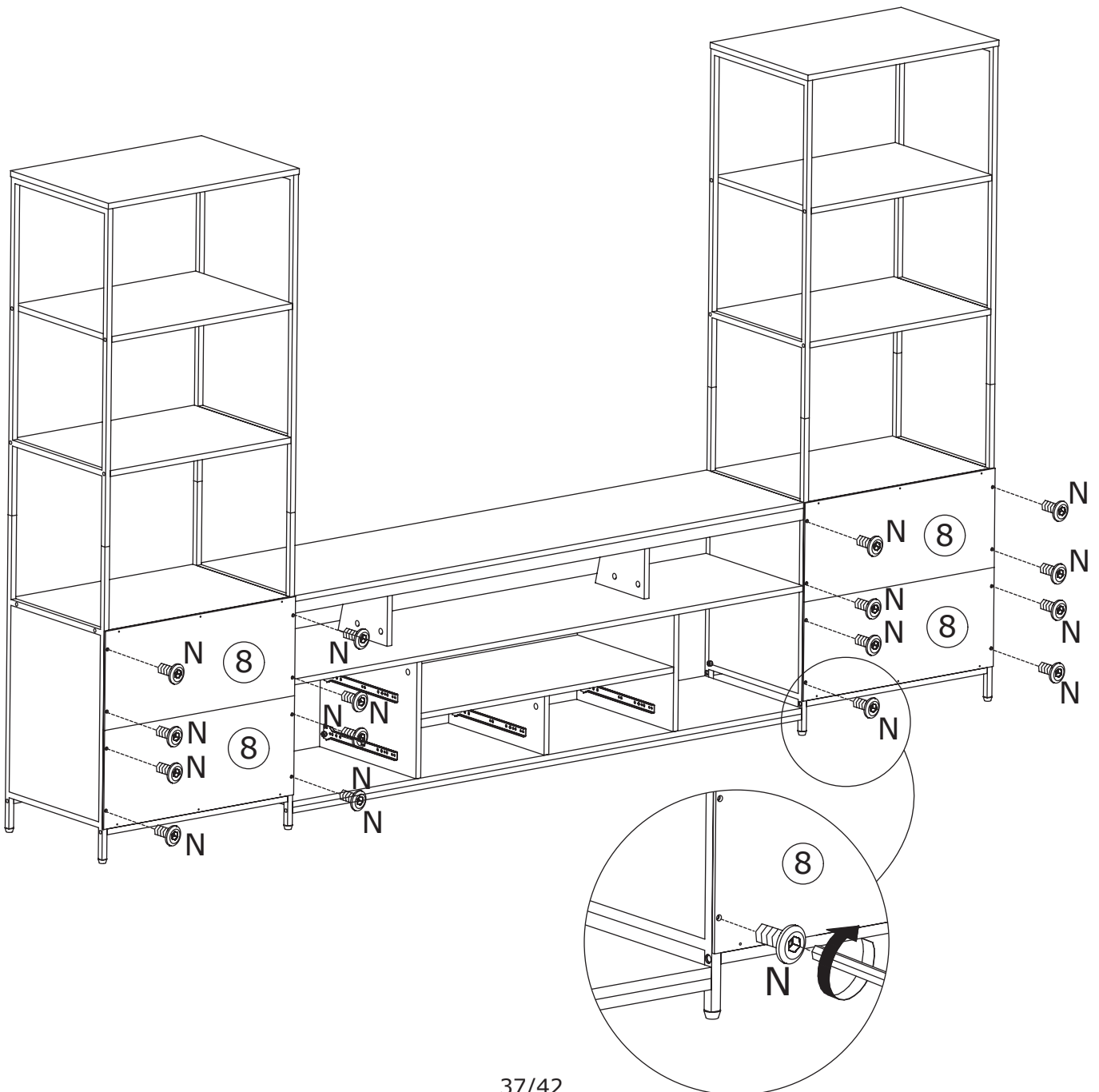
As shown, rotate the foot pad (O) into Part 32.  
Use screws (H) to fix leg support 32 to Panel 11.



32

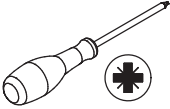


As shown, use screws (N) to fix back Panel 8 to the assembled unit.

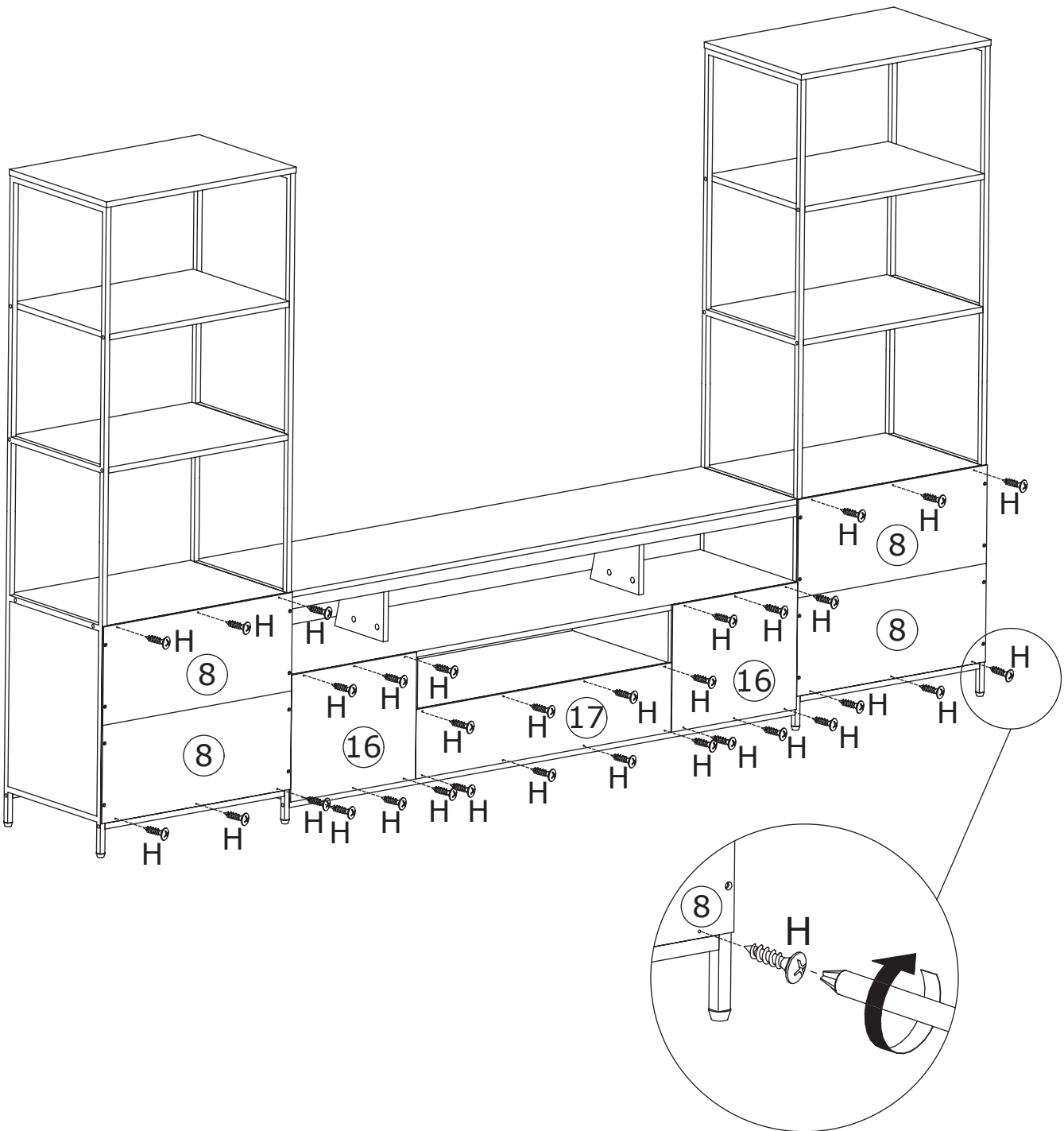


33

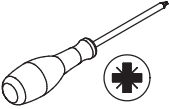
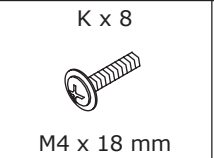
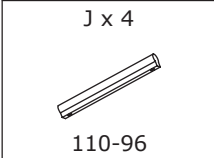
H x 32  
ST3.5 x 14 mm



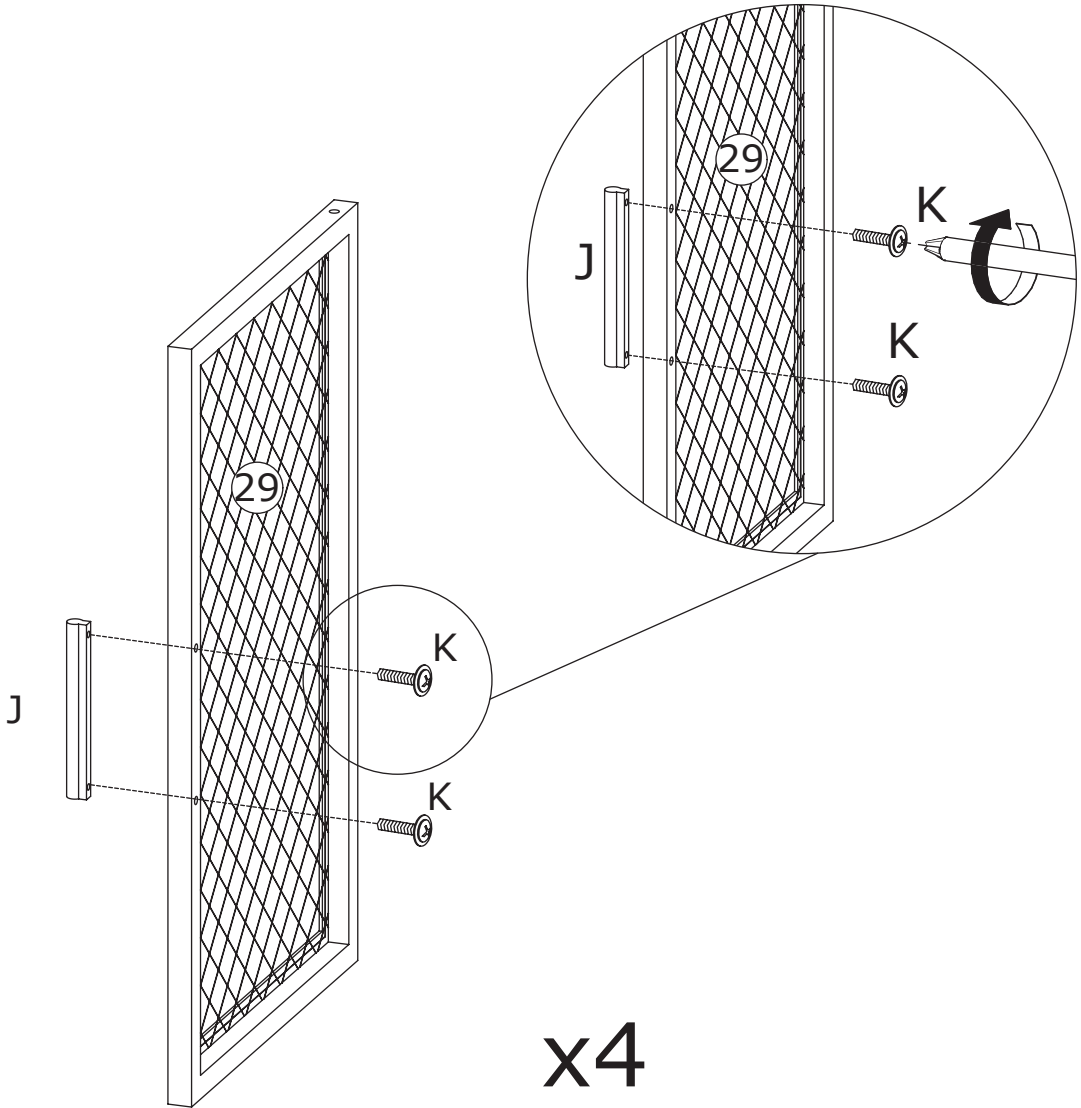
As shown use screws (N) to fix back Panel 16 and Panel 17 to the assembled unit.



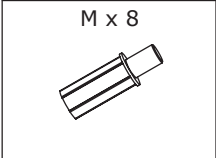
34



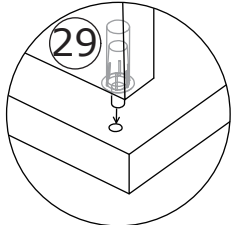
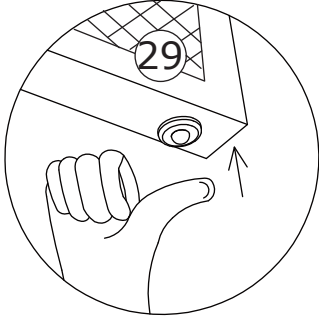
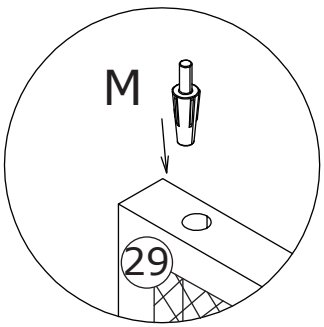
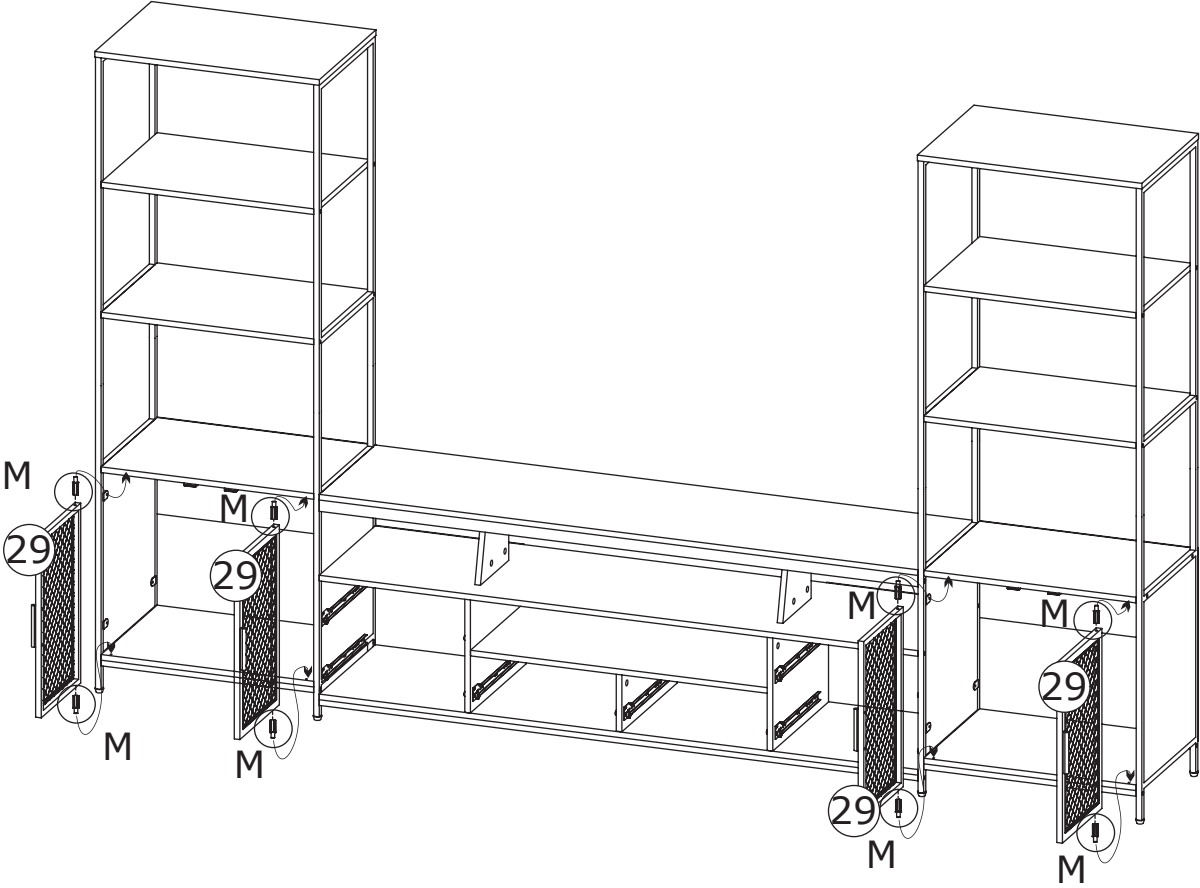
As shown, use screws (K) to install the handle (J) onto Part 29.



35

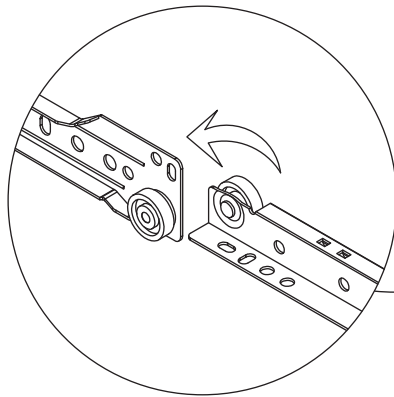
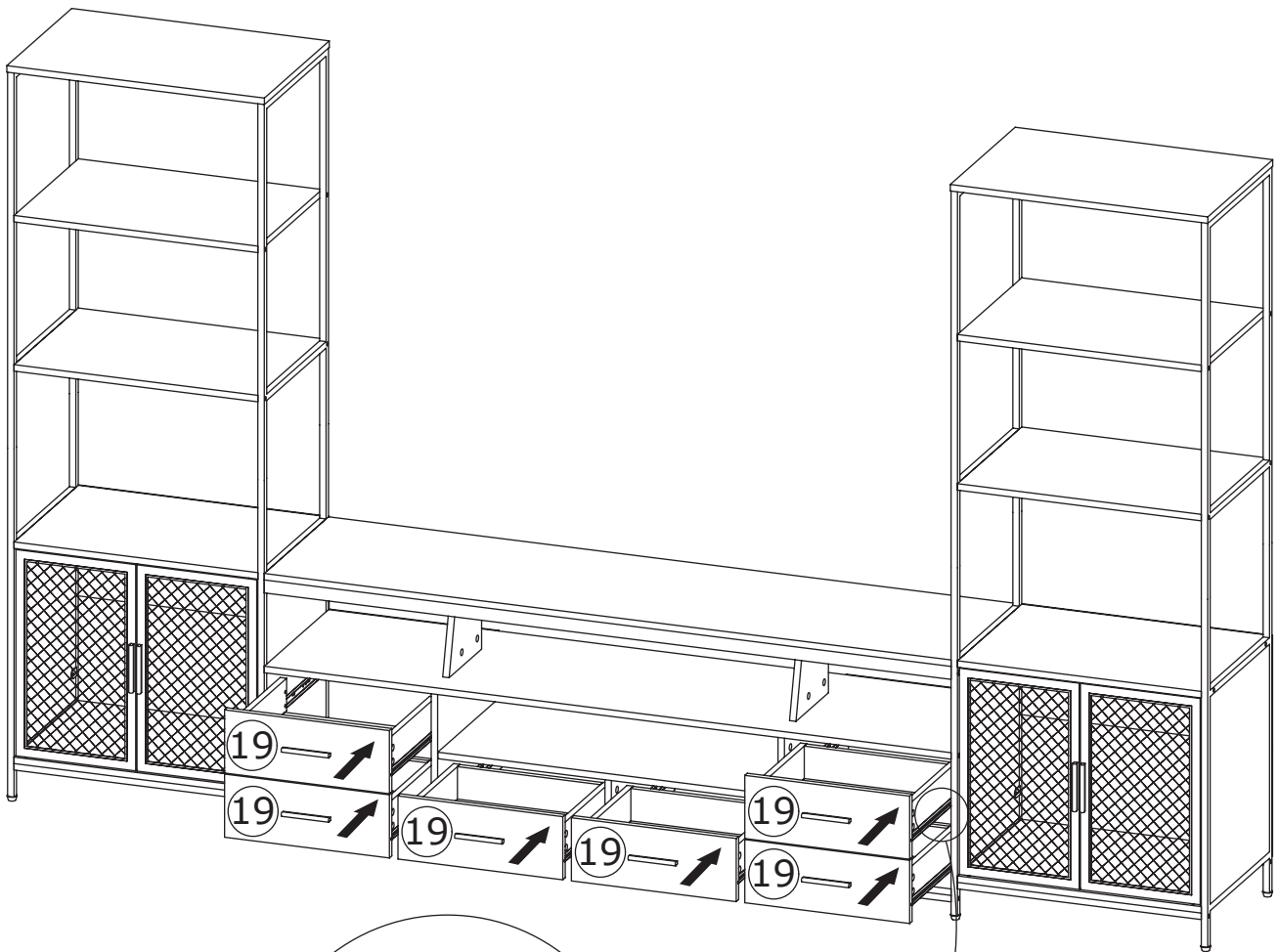


As shown, install Part 29 to the assembled unit.

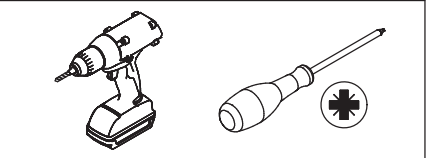
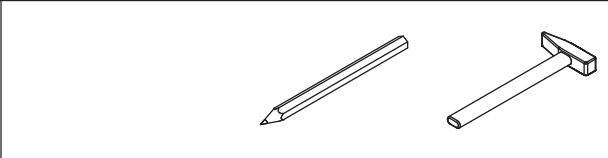
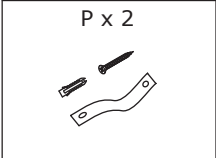


36

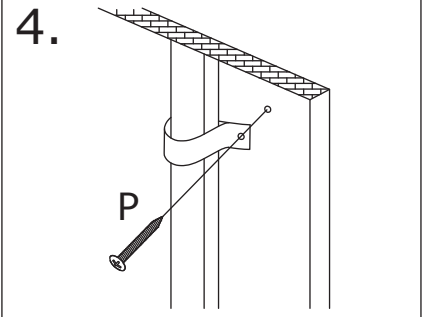
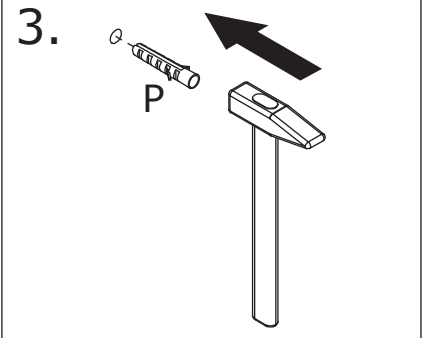
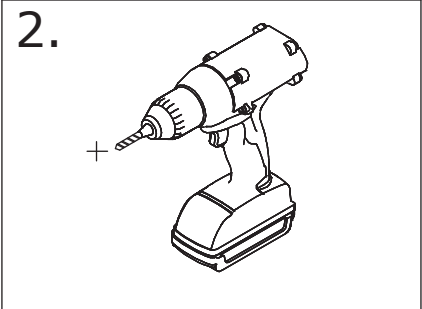
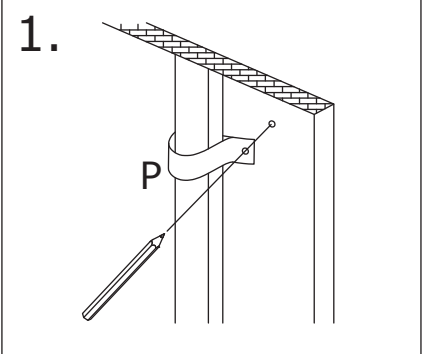
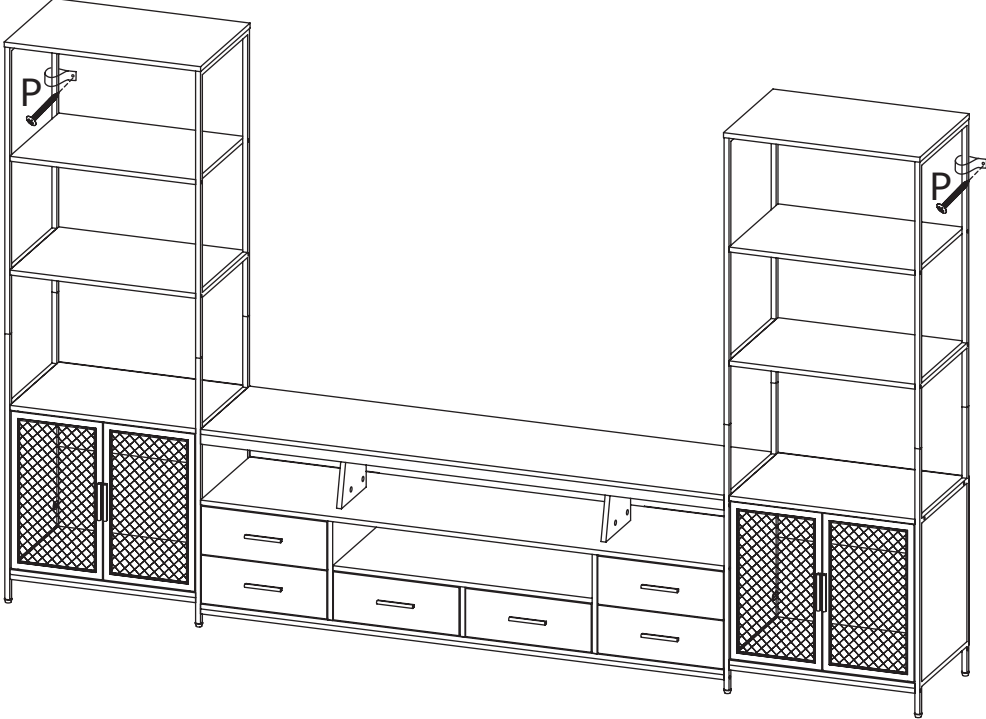
As shown, insert the drawers into the unit.



37



As shown, install the anti-tipping device.



# WARRANTY

## WARRANTY CLAIMS

- There is a 30-day warranty for broken furniture or any other problems that do not work properly. The warranty will start from the date of purchase which must be verified by proof of purchase.
- Before making a claim, we may be able to answer your query, simply call us. Please leave your purchase order number, along with some details of the problem, if you want a replacement part. We will arrange within 48 hours. If there is out of stock, we will reply with a shipping date.
- The product must be used in accordance with the instructions provided. For health reasons.
- For other reasons, if the furniture needs to be returned, it must be cleaned and dried and operated within 30 days of receipt.

## Type of Warranty Claim

- Failure to follow the furniture instructions will invalidate the warranty. Attention please.
- Does not include damage during installation, but includes damage during transportation.

## Scope of responsibility

- Shall not bear any responsibility for misuse or user damage and / or loss of parts during the installation of furniture.
- After using, the damage and scratches of the furniture are not covered by the warranty.

## The Warranty Relates to All Bought in The Us and Covers The Following Areas

- Sheet parts: 1 month from the date of purchase.
- Electrical parts: 1 month from the date of purchase.

# RETURNS

## **CHANGED YOUR MIND AND NEED TO RETURN YOU ITEM?**

### **PLEASE FOLLOW THE BELOW INSTRUCTIONS:**

- If you have purchased and have simply changed your mind, follow the retailer's instructions for returns.

### **DEFECTIVE ITEMS**

- If your item is defective in any way, i.e. it doesn't work but you can't identify why, in the first instance, please call us.

### **DAMAGED ITEMS**

- If you receive an order with obvious shipping damage from the retailer, then we suggest the delivery is refused. If the delivery has been accepted and then shipping damage is found, please follow the specific instructions advised by the retailer.  
In all circumstances please save all packaging material and paperwork for the order. Please be aware that if you dispose of packaging material or attempt to return the merchandise without contacting the fulfiller, you jeopardise your chances of making a claim, and you may not receive a credit for the return.