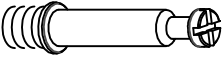

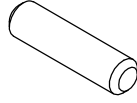
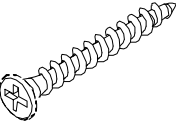
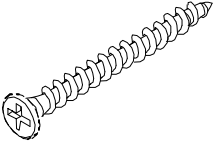

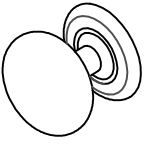
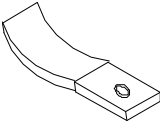
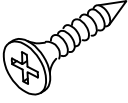
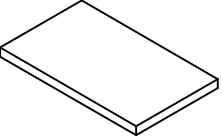
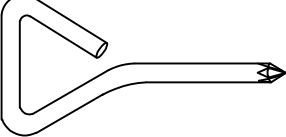
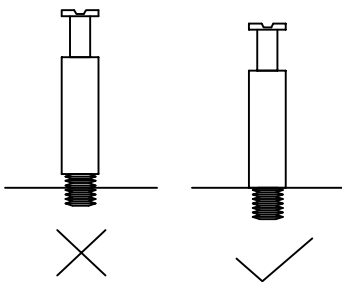


READ AND SAVE THIS INSTRUCTIONS BEFORE USE

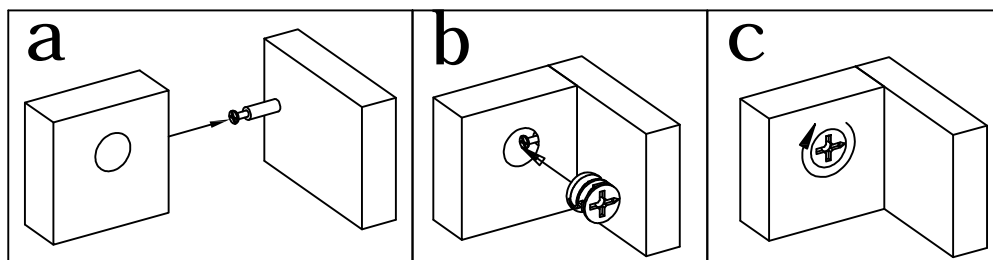
ASSEMBLY & INSTRUCTION MANUAL

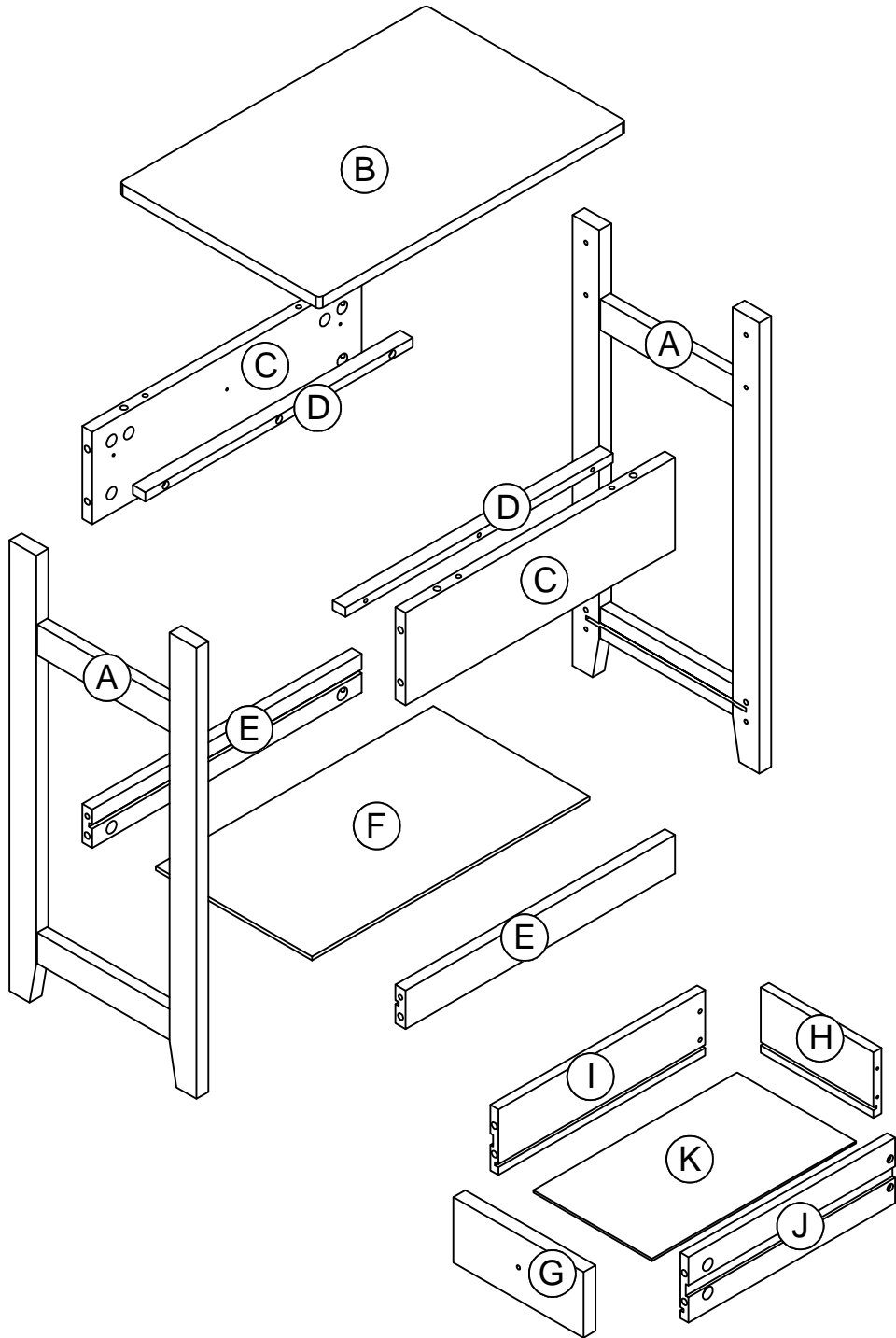
<p>①</p>  <p>Qty:20+2</p>	<p>②</p>  <p>Qty:20+2</p>	<p>③</p>  <p>Qty:8+1</p>	<p>④</p>  <p>Qty:6</p>
<p>⑤</p>  <p>Qty:4</p>	<p>⑥</p>  <p>Qty:1</p>	<p>⑦</p>  <p>Qty:1</p>	<p>⑧</p>  <p>Qty:1</p>
<p>⑨</p>  <p>Qty:1</p>	<p>⑩</p>  <p>Qty:4</p>	 <p>Qty:1</p>	

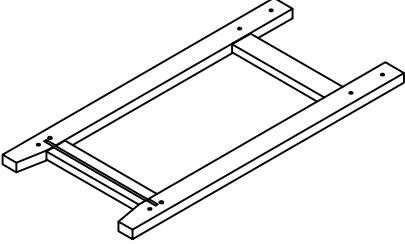
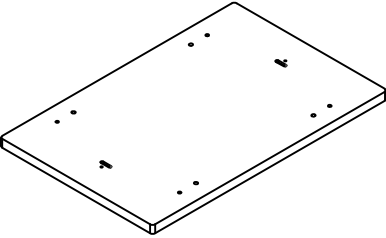
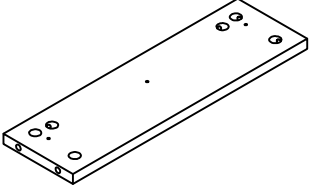
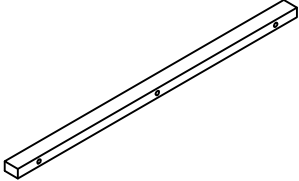
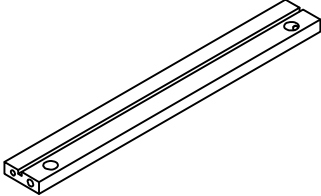
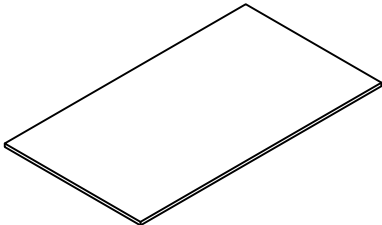
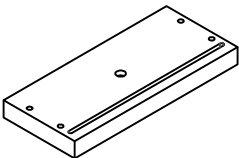
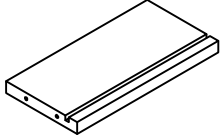
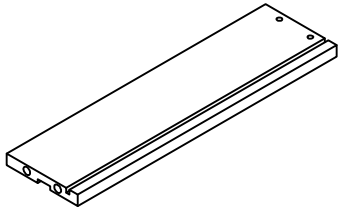
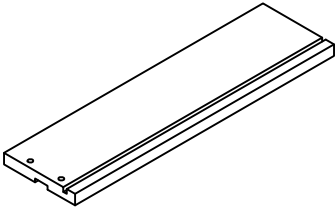
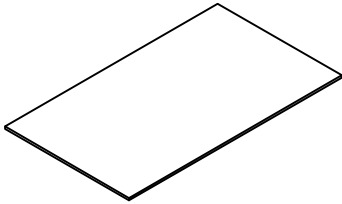
Make sure the pins are installed correctly as shown with the "check mark" below



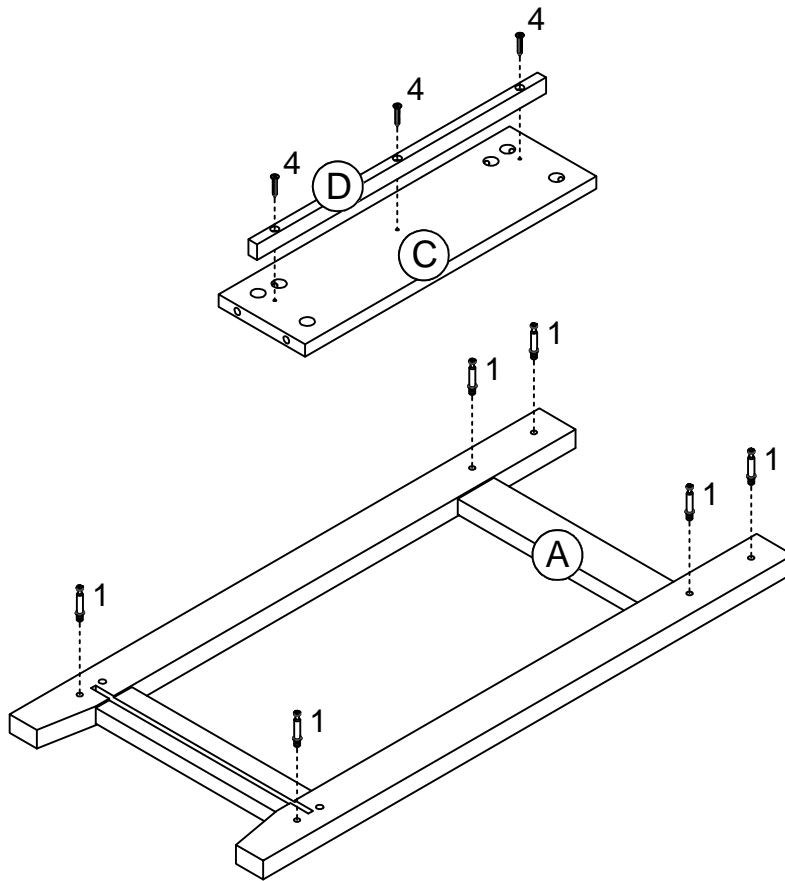
Below shows how the pins are used to assemble the panels together.





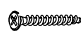
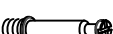
<p>A x2</p> 	<p>B x1</p> 	<p>C x2</p> 
<p>D x2</p> 	<p>E x2</p> 	<p>F x1</p> 
<p>G x1</p> 	<p>H x1</p> 	<p>I x1</p> 
<p>J x1</p> 	<p>K x1</p> 	

1

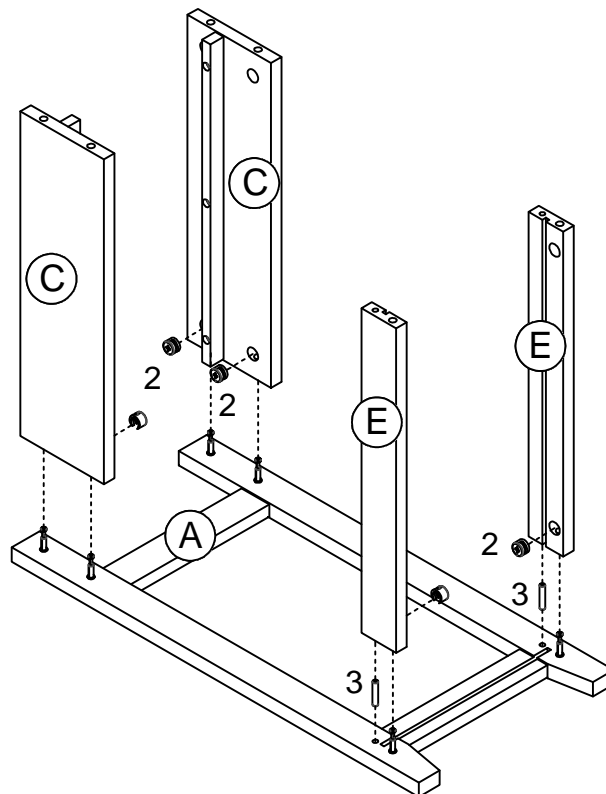


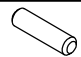

x2

x2

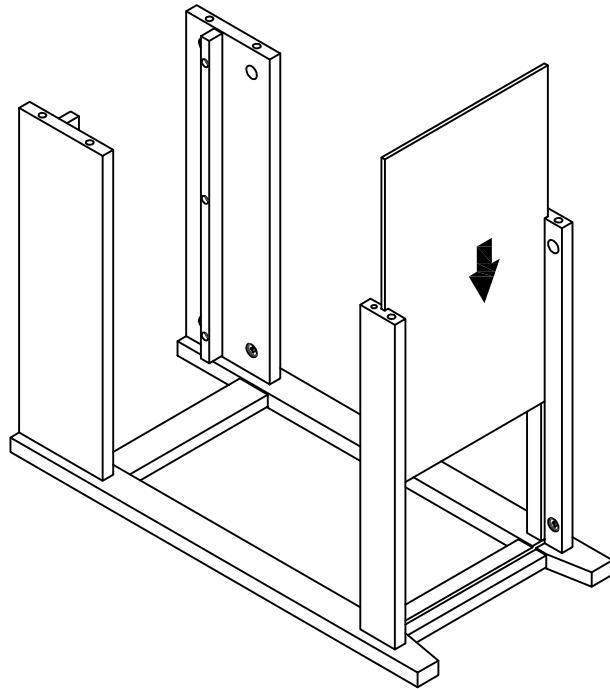
4		X 6
1		X 12

2

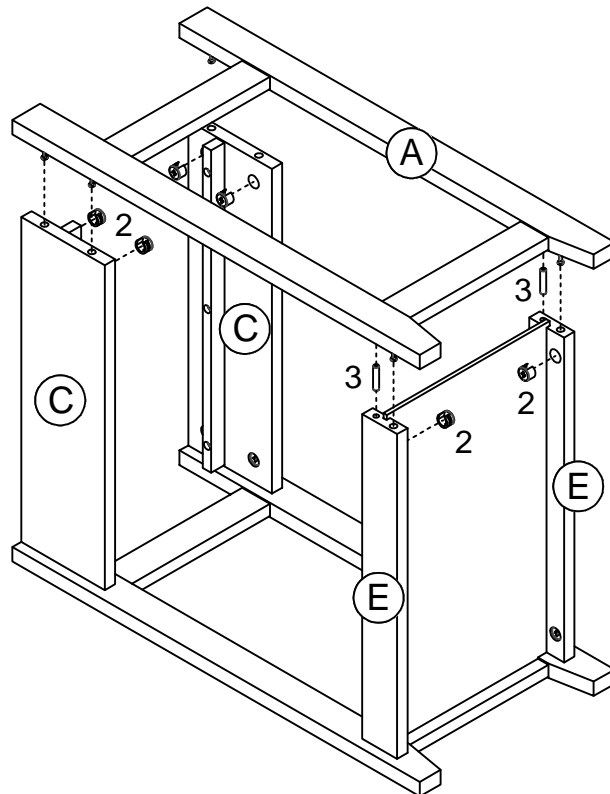


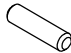

3		X 2
2		X 6

3

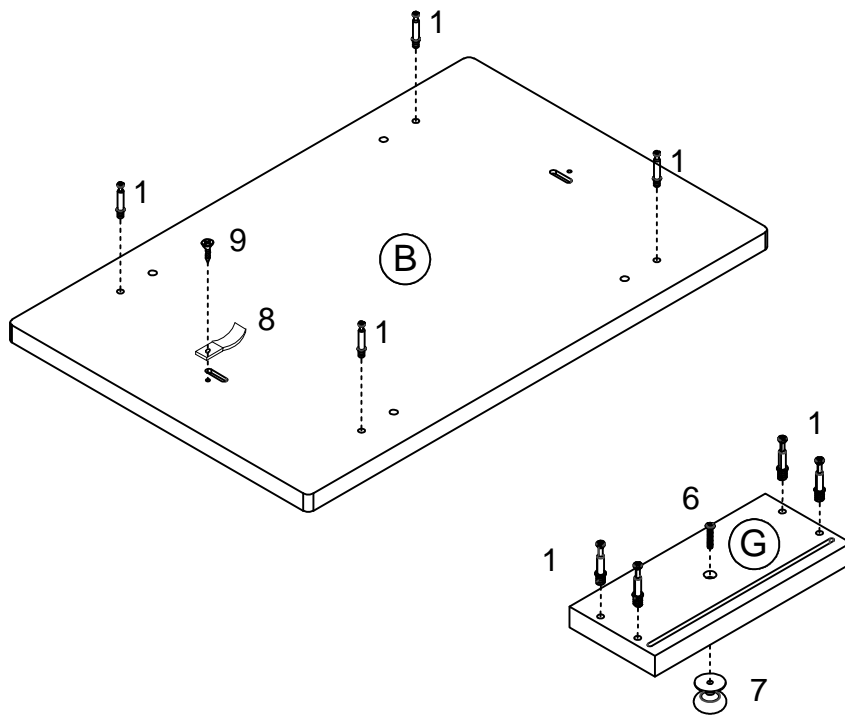






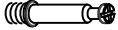
4



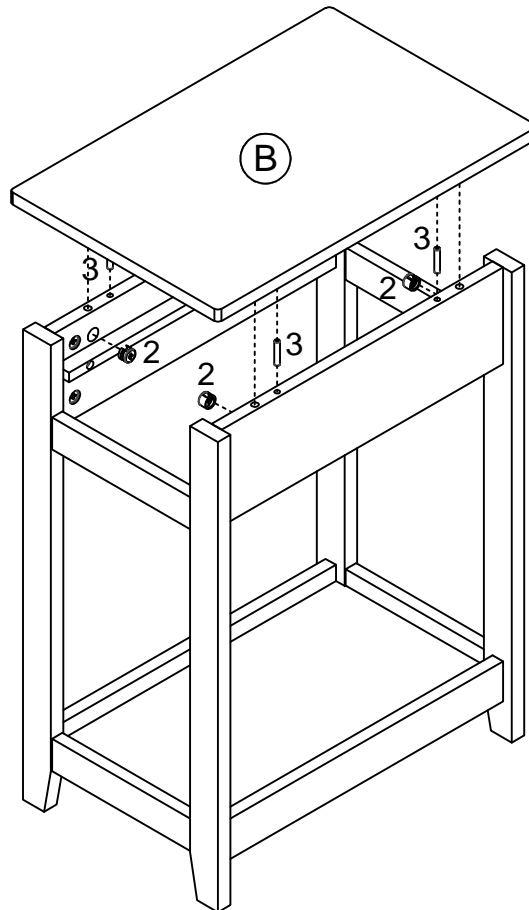
3		X 2
2		X 6

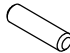

5



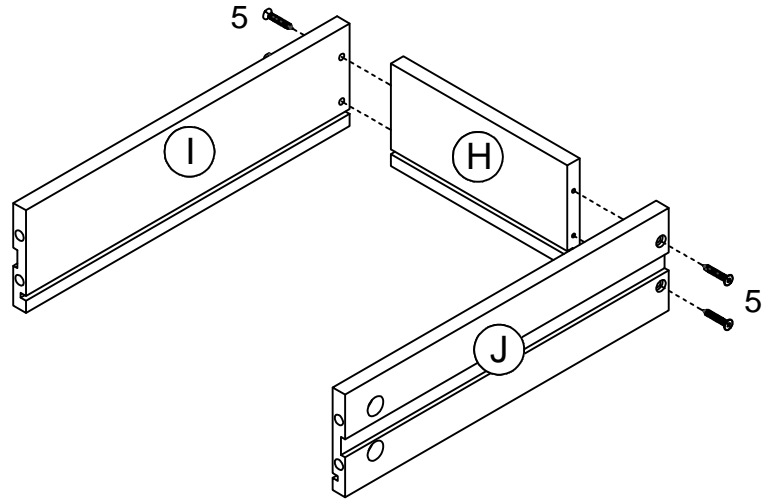
9		X 1
8		X 1
7		X 1
6		X 1
1		X 8

6



3		X 4
2		X 4

7

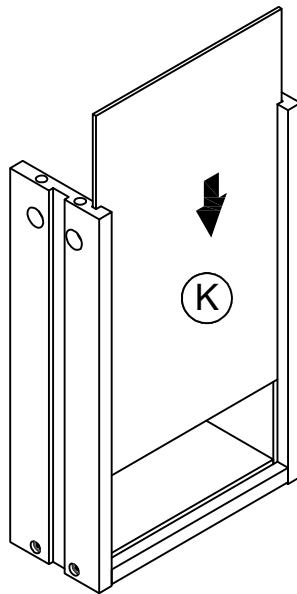


5

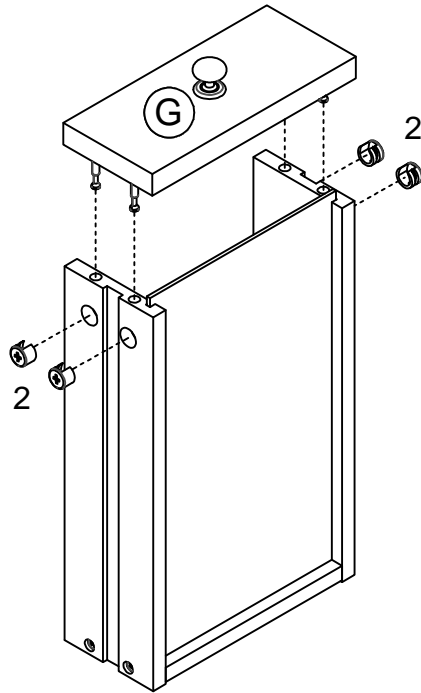


X 4

8



9

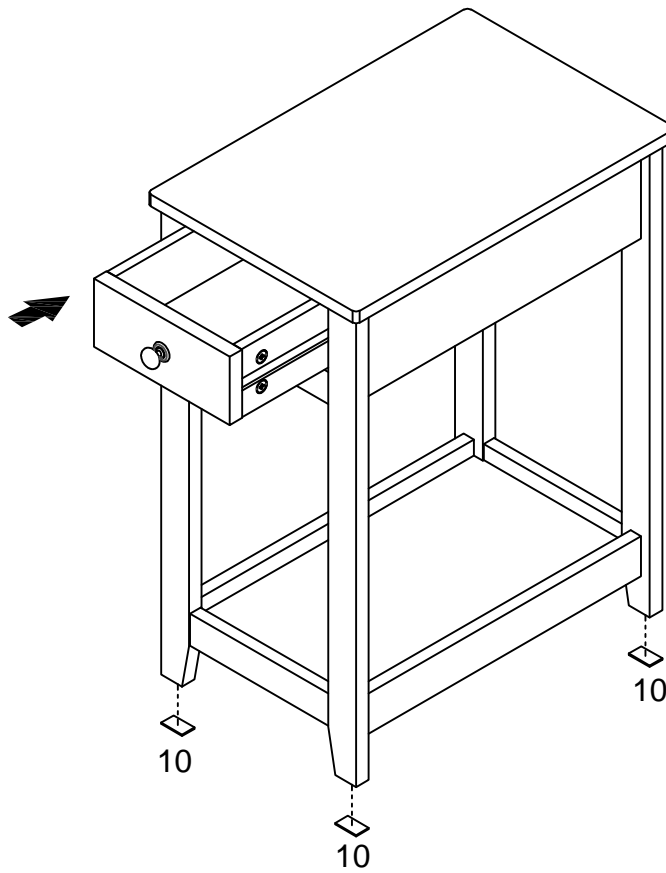


2



X 4

10



10



X 4