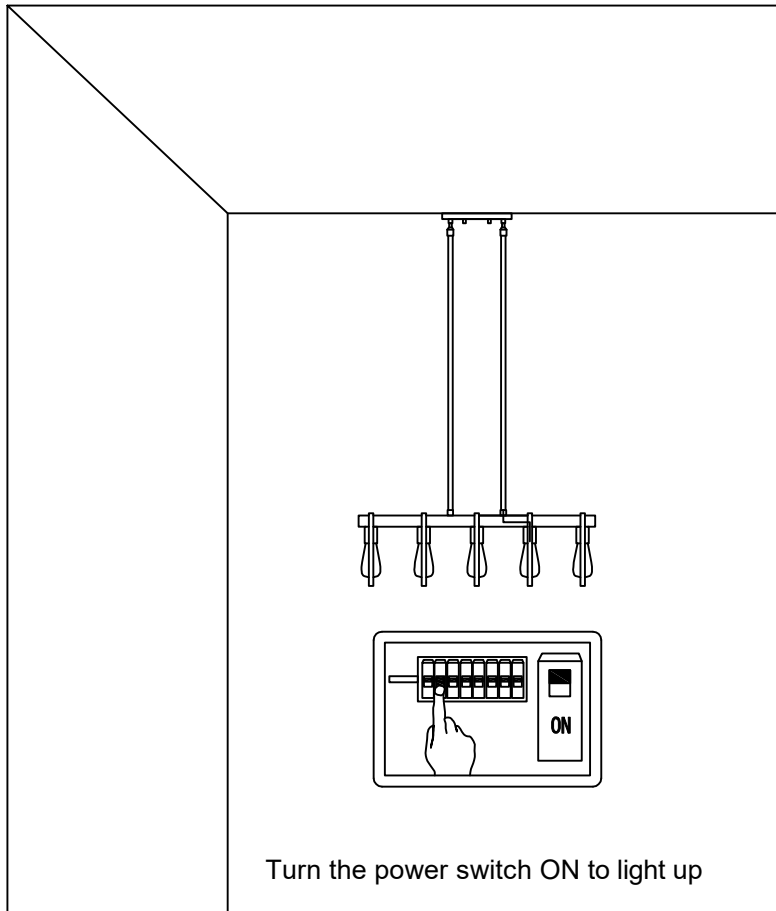


06

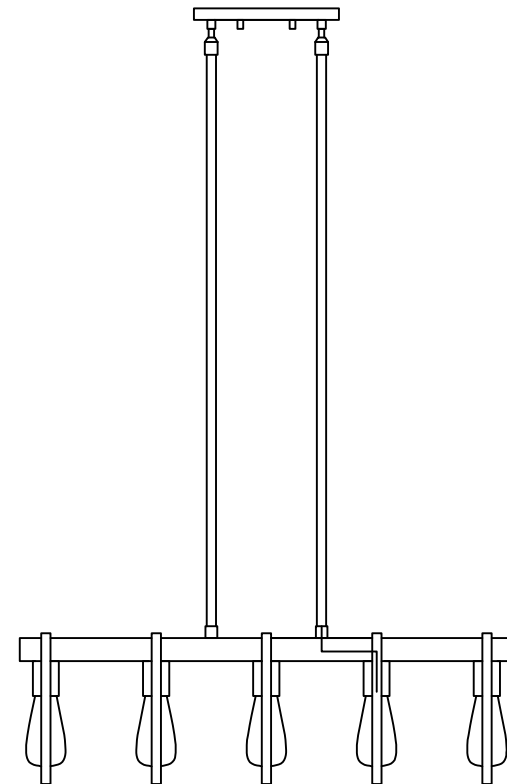


Note:



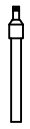
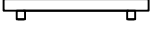





English

1. The lamps may only be installed by authorized and qualified technicians according to the valid regulations for electrical installation.
2. The manufacturer does not accept any responsibility for injuries or damage resulting from improper use of the light.
3. Attention! Before starting the installation work, make sure that the mains power line is voltage-free—turn off safety cutout or unscrew the protection fuse. The switch must be “OFF”.
4. Warning! Before drilling the mounting holes, make sure that no gas, water or electricity pipes and wires can be drilled through or damaged in your chosen mounting location.
- 5: Description of the supply terminals: L = Phase N = Neutral conductor \oplus = Earthed conductor.

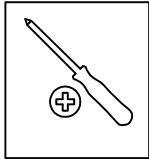
Product Instruction



Part list:

 [01]x1	 [02]x5	 [03]x2	 [04]x1	 [05]x1
 [06]x2	 [07]x3	 [08]x2	 [09]x1	

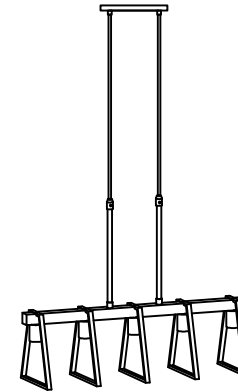
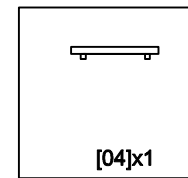
YOU WILL NEED:



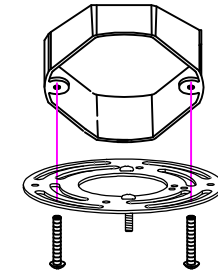
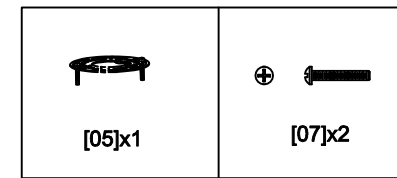
Part	Description	Quantity	Part	Description	Quantity
01	Lamp body	1	06	beanie	2
02	Decorative shelf	5	07	Wire Nut	3
03	expansion link	2	08	Outlet Box Screw	2
04	ceiling plate	1	09	Hexagonal tool	1
05	hanging panel	1			

02

The lamp body and the top plate are locked together by thread



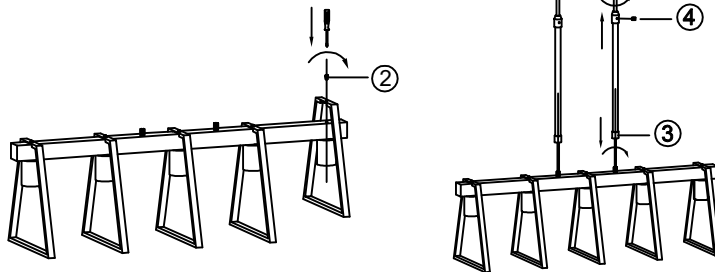
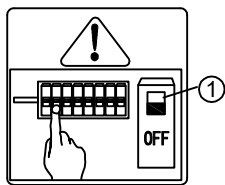
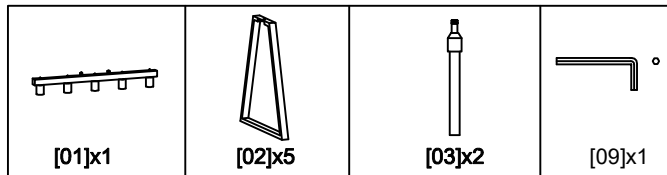
03



Fasten the hanging plate to the junction box with Outlet Box Screw

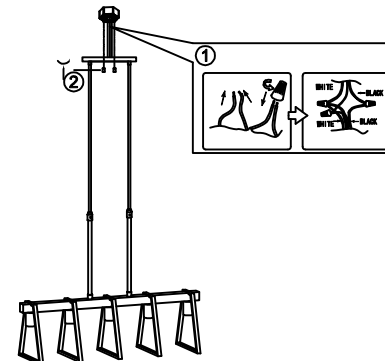
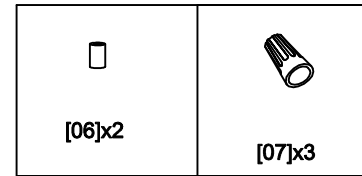
01

- Turn off the power;
- Fasten the decorative frame to the lamp body with the screws on the lamp body;
- Pass the power cord through the expansion frame and fix it to the lamp body with thread;
- Use the inner corner screws to adjust the height of the lamp body.

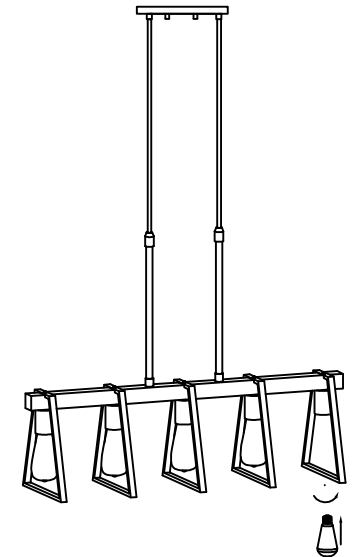


04

- Connect the lamp body wire and the wire in the junction box through the wiring cap in accordance with the method shown;
- Place the lamp body upwards and secure it to the ceiling through the decorative cap.



05



Screw the bulb into the lamp holder as shown