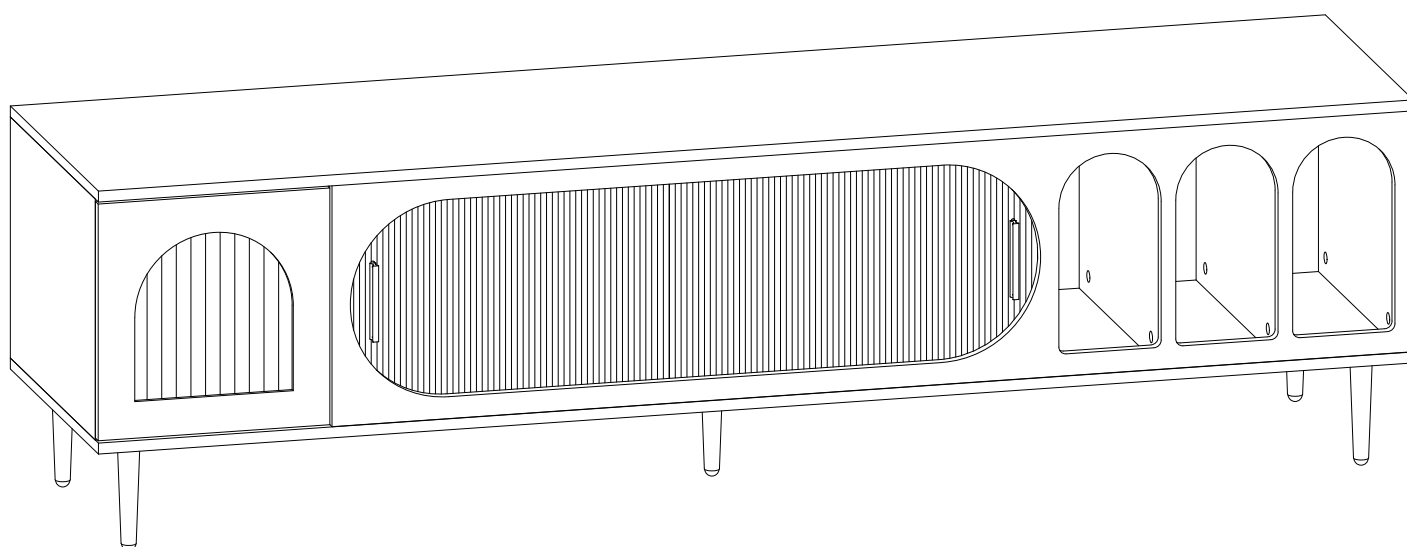


TV STAND

Assembly Instructions - Please keep for future reference.



DIMENSIONS

width - 70.87inch

Depth - 17.72inch




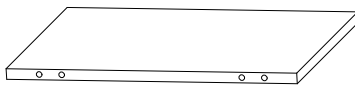
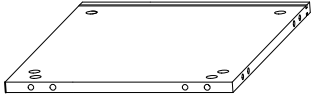
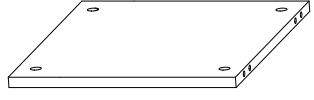
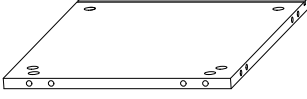
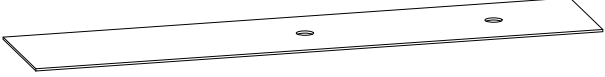

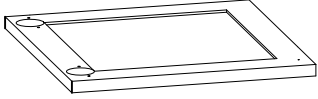
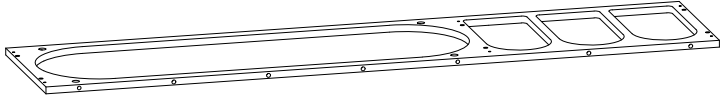
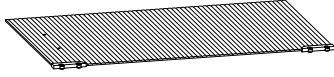
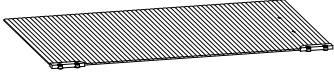
Height - 20.08inch

Important - Please read these instructions fully before starting assembly.

components - fittings

Please check you have all the panels listed below.

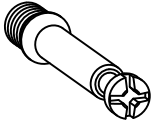





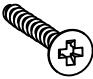






Note: The quantitie below are the correct amount to complete the assembly. In some cases more fittings may be supplied than are required.

			
① x 1pc		② x 1pc	
			
③ x 1pc	④ x 1pc	⑤ x 1pc	⑥ x 2pcs
			
⑦ x 1pc	⑧ x 1pc		⑨ x 1pc
			
⑩ x 1pc	⑪ x 1pc		⑫ x 1pc
			
⑬ x 1pc			

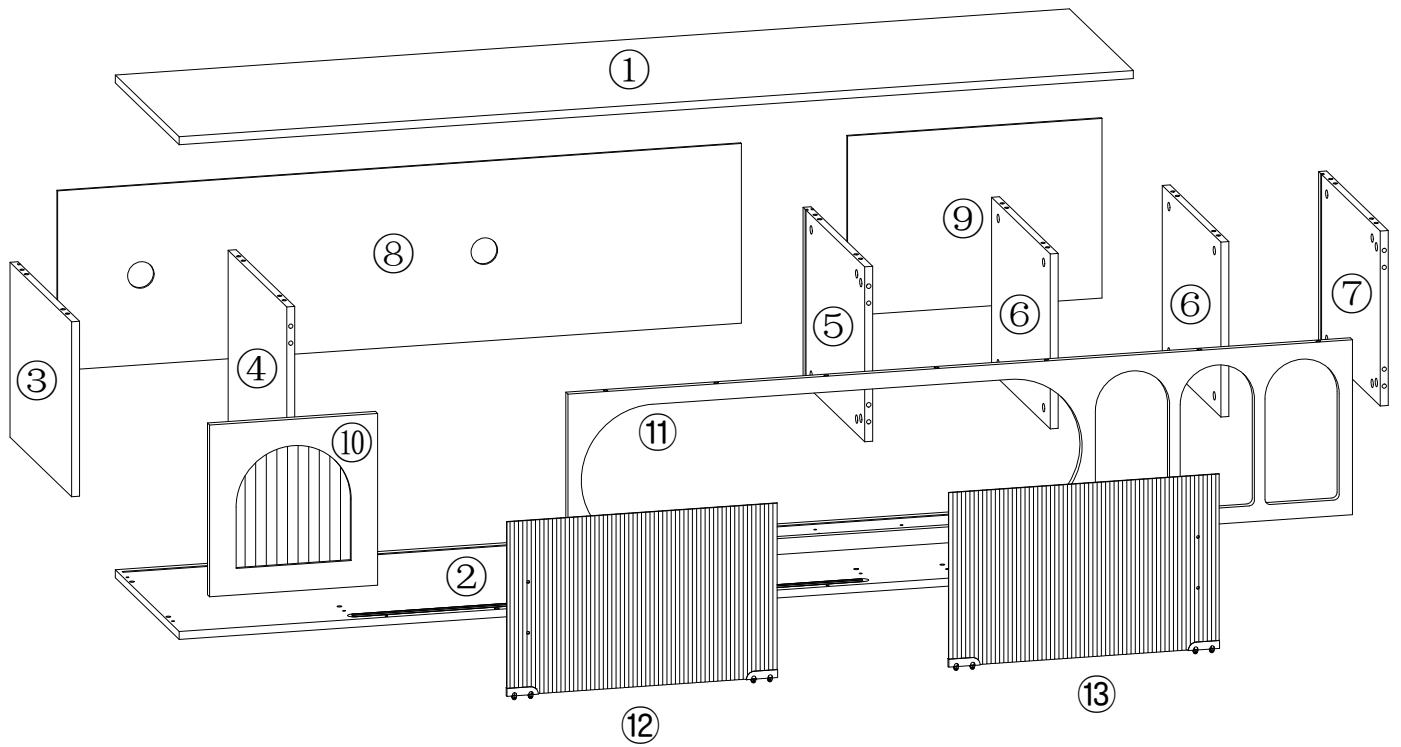
components - fittings

Please check you have all the panels listed below.

Note: The quantitie below are the correchet amount to complete the assembly. In some cases more fittings may be supplied than are required.

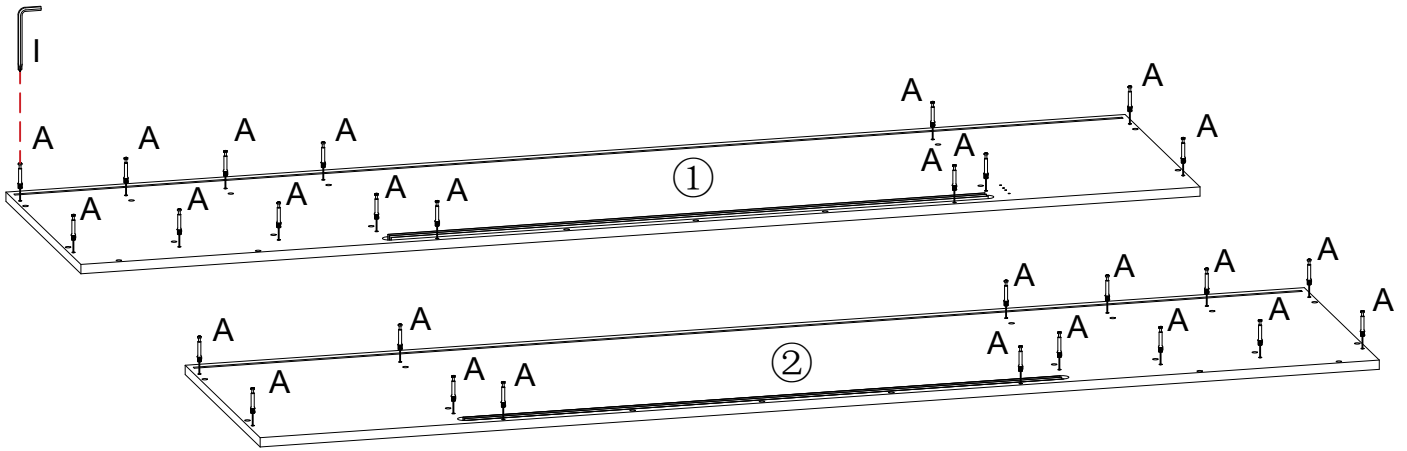
 <p>M6x35mm</p>	 <p>Φ15x9mm</p>	 <p>Φ8x30mm</p>	 <p>M4x14mm</p>
<p>A x 34pcs</p>	<p>B x 34pcs</p>	<p>C x 40pcs</p>	<p>D x 36pcs</p>
		 <p>M3x12mm</p>	
<p>E x 5pcs</p>	<p>F x 2pcs</p>	<p>G x 1pc</p>	<p>H x 2pcs</p>
			
<p>I x 1pc</p>	<p>J x 1pc</p>	<p>K x 1pc</p>	<p>L x 4pcs</p>
			
<p>M x 4pcs</p>			

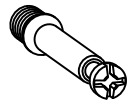

Assembly Instructions



Assembly Instructions

STEP 1



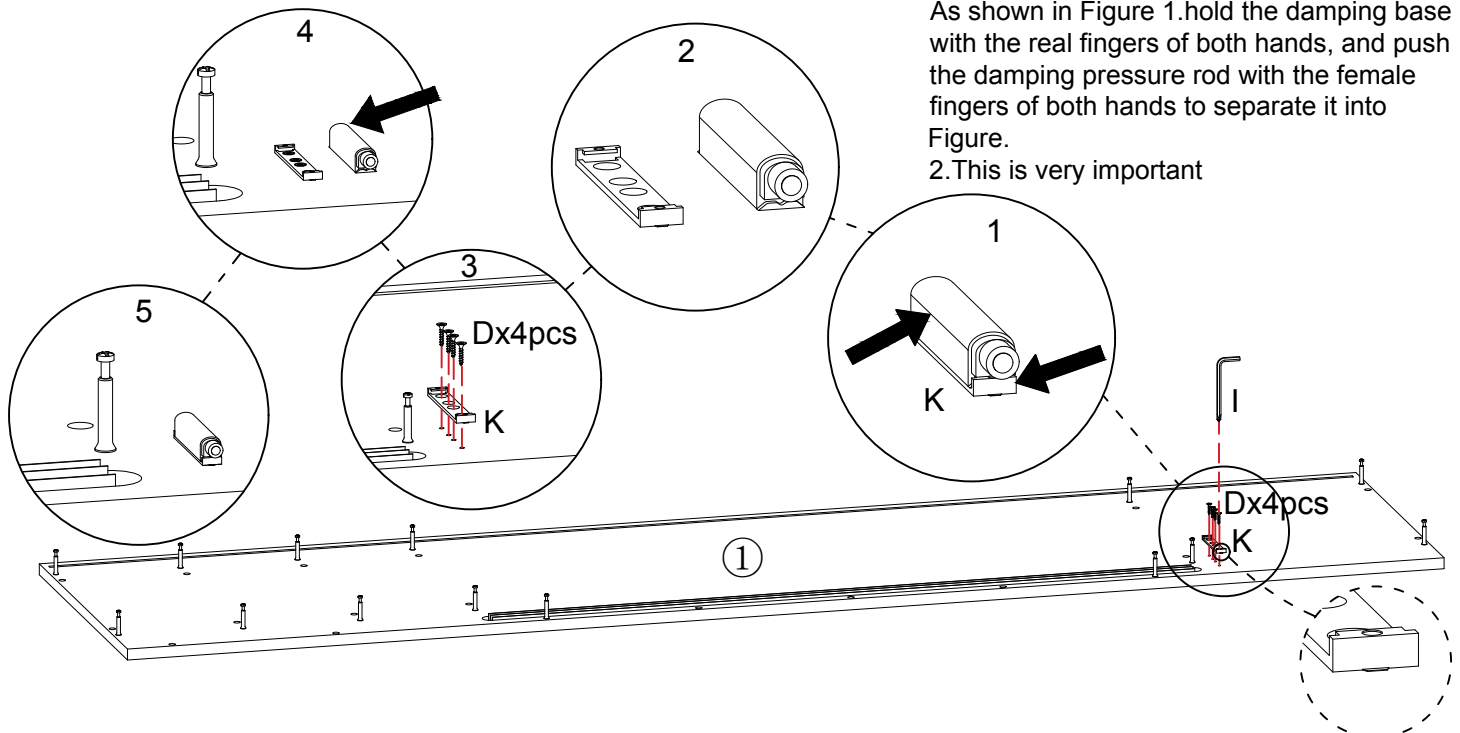
	
A x28pcs	I x 1pc



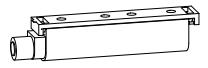
STEP 2

Clamp the damping pressure rod into the damping base as shown

As shown in Figure 1, hold the damping base with the real fingers of both hands, and push the damping pressure rod with the female fingers of both hands to separate it into Figure.

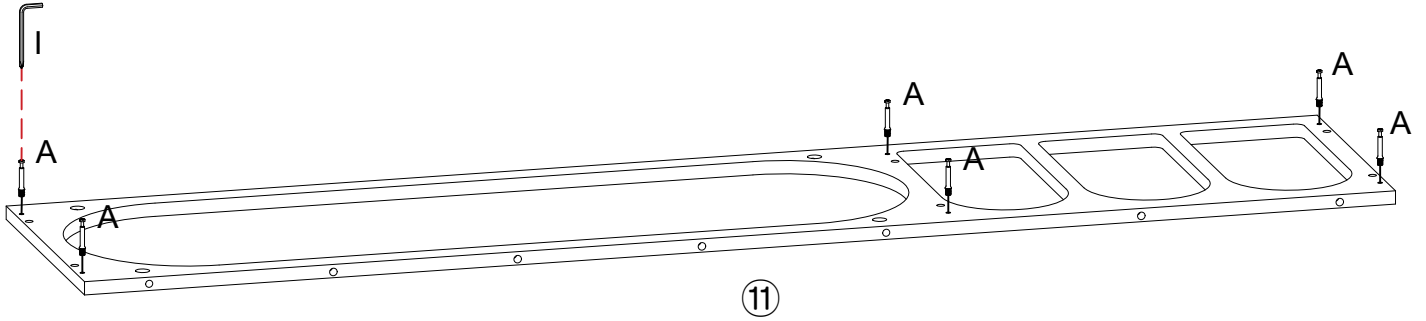
2. This is very important

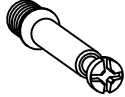



		
D x4pcs	I x 1pc	K x 1pc

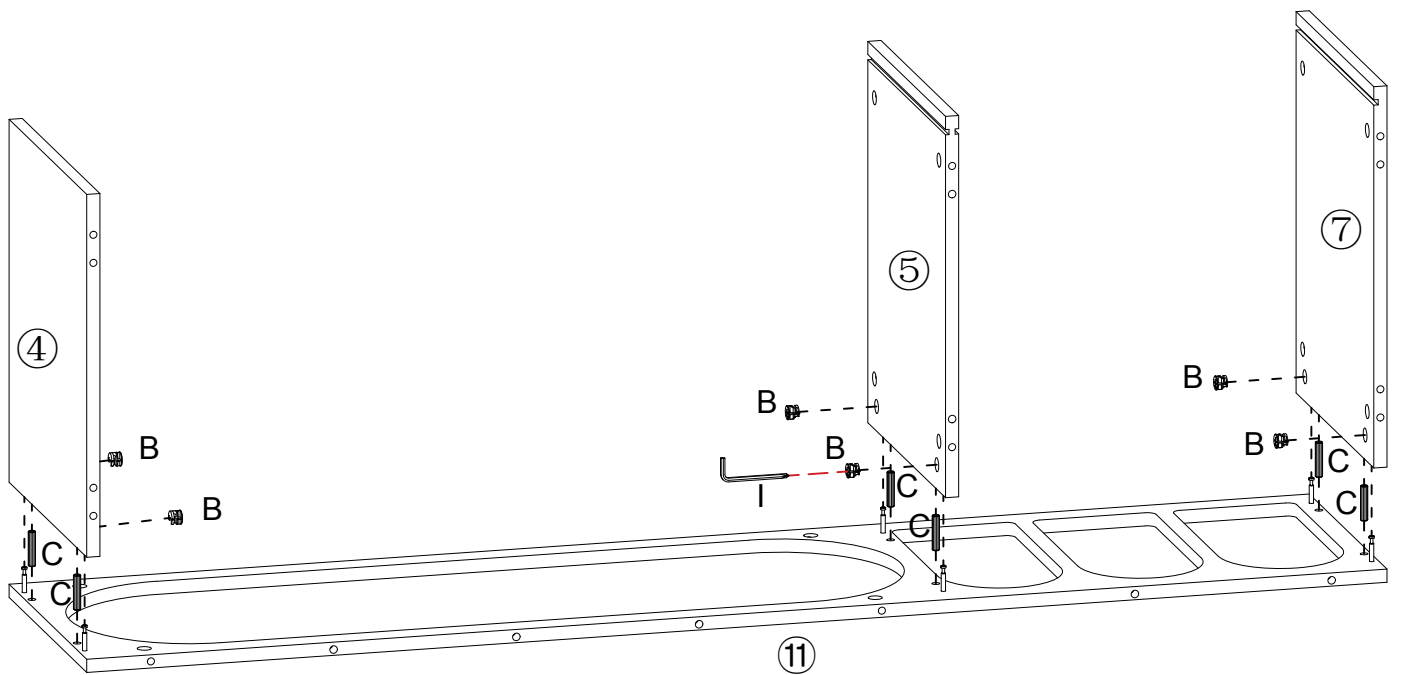
Assembly Instructions




STEP 3



	
A x6pcs	I x 1pc

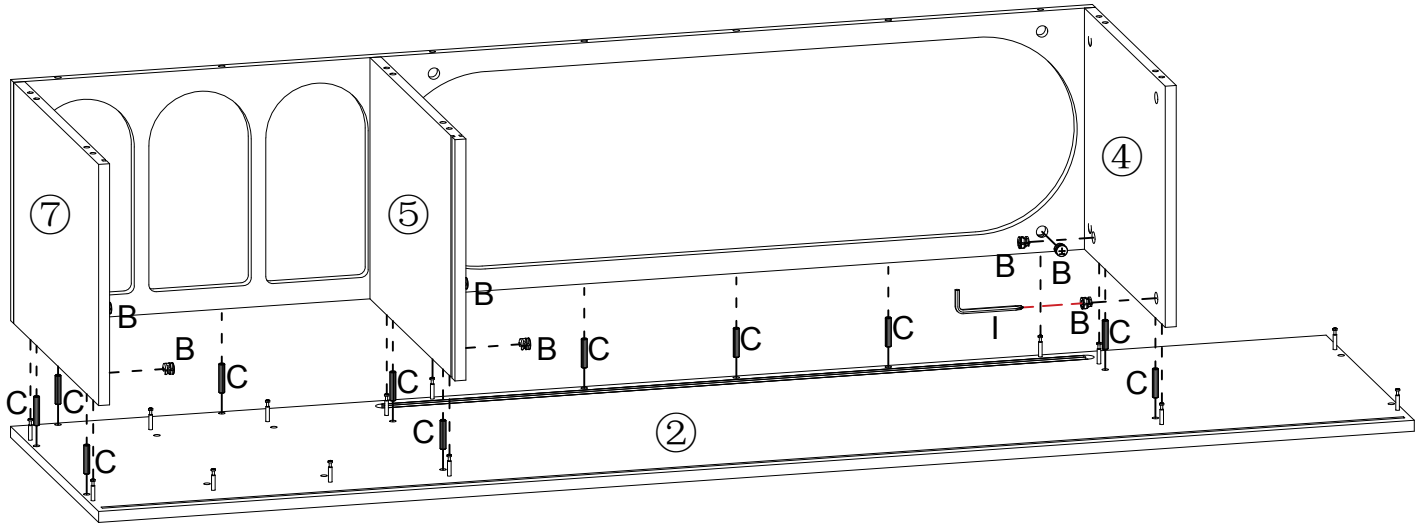
STEP 4






		
B x6pcs	C x 6pcs	I x 1pc

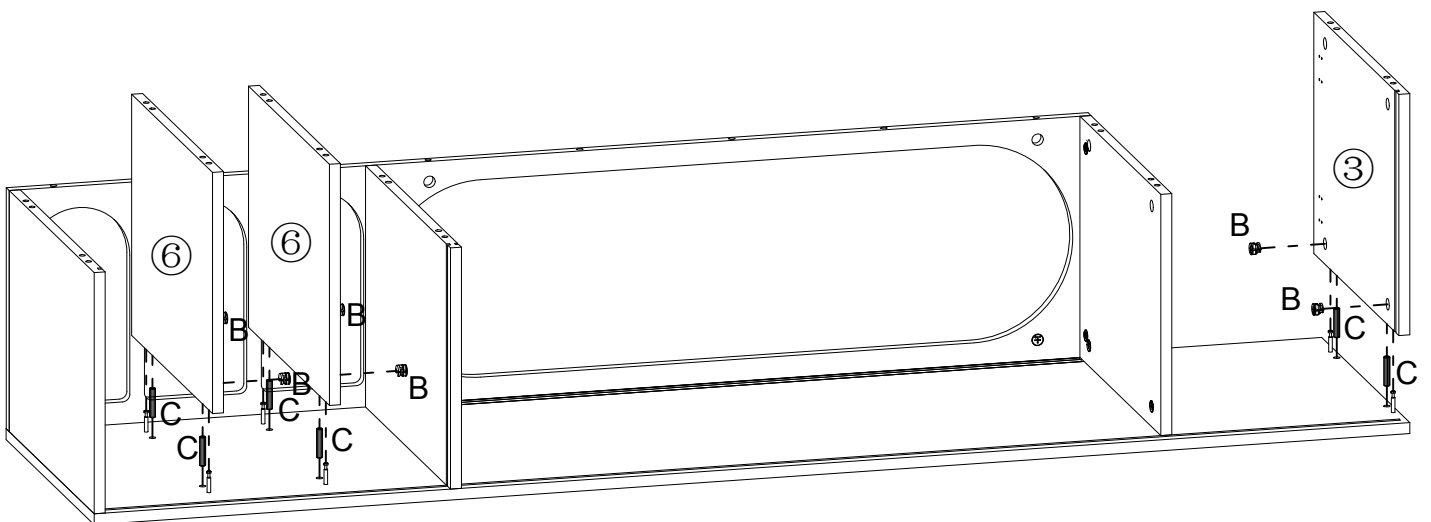
Assembly Instructions




STEP 5



		
B x 8 pcs	C x 11 pcs	I x 1 pc

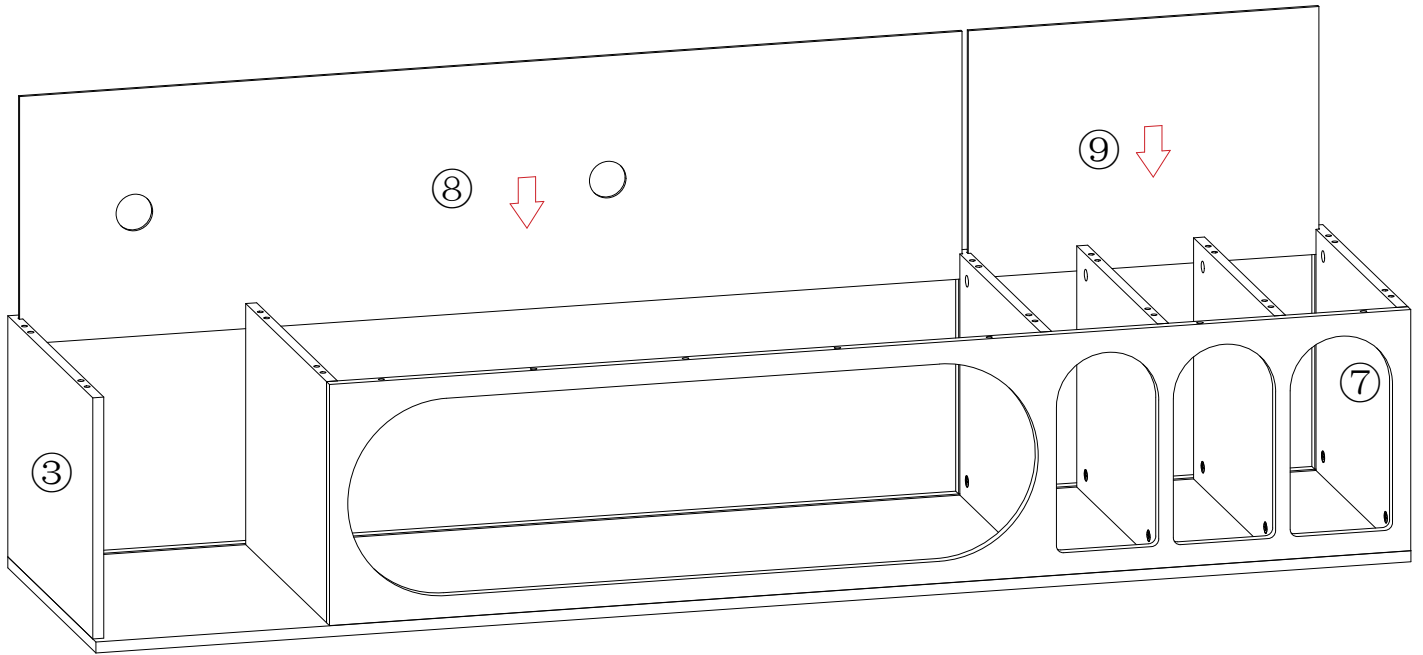
STEP 6



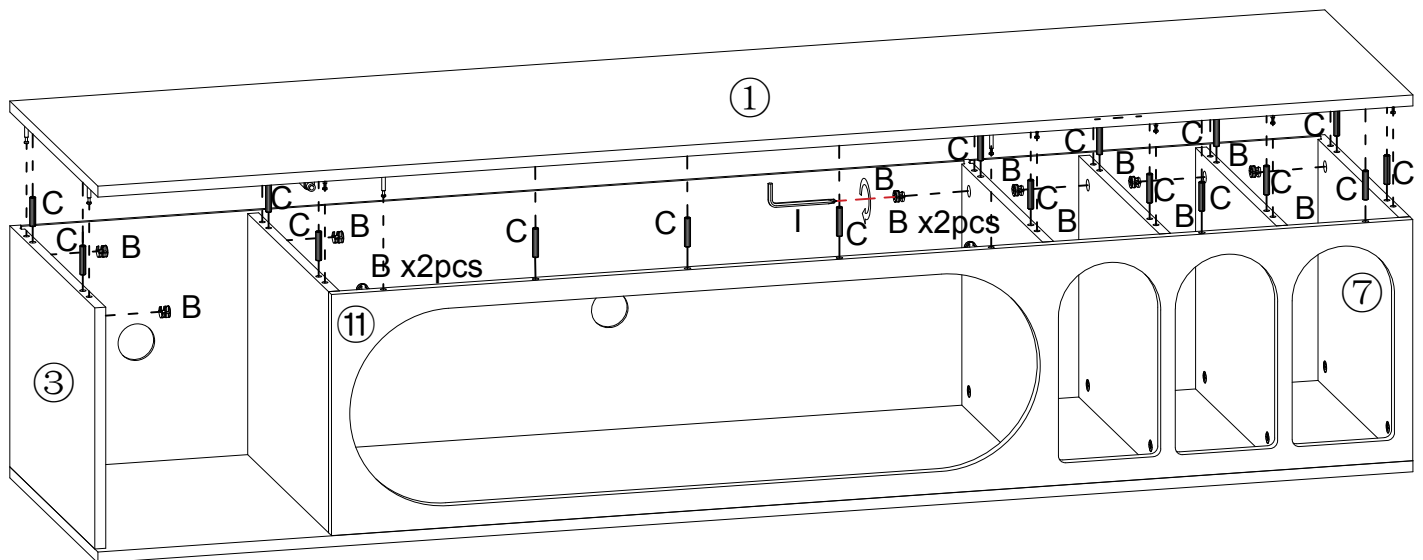
		
B x 6 pcs	C x 6 pcs	I x 1 pc




Assembly Instructions

STEP 7



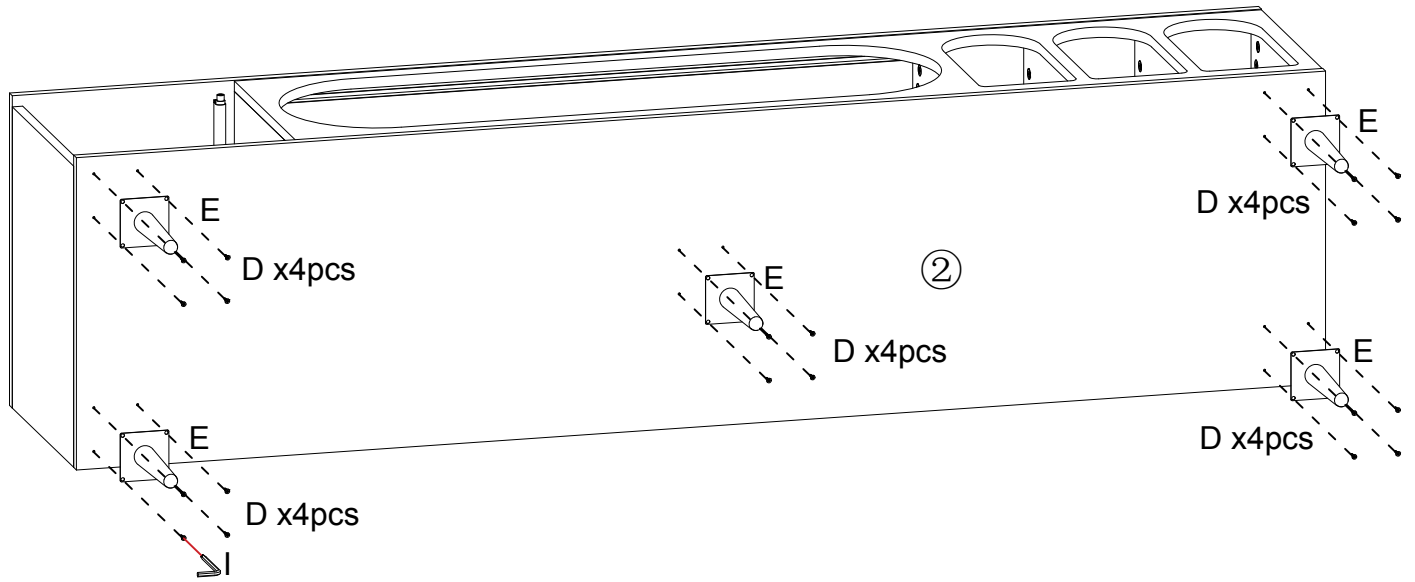
STEP 8


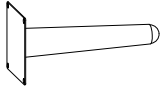



		
B x14pcs	C x 17pcs	I x 1pc

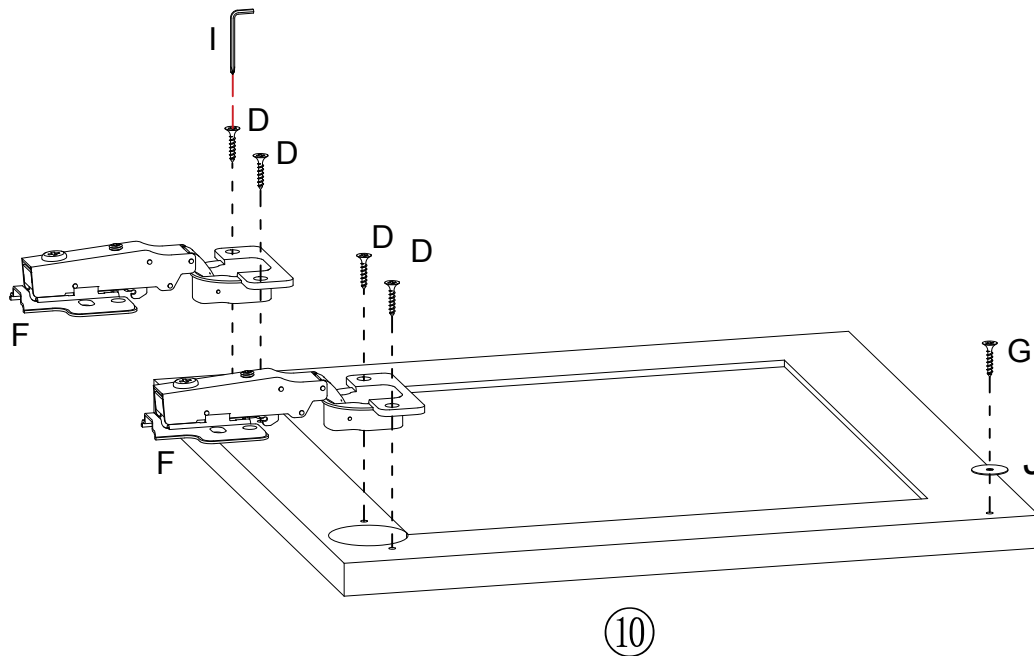
Assembly Instructions






STEP 9



		
D x 20pcs	E x 5pcs	I x 1pc

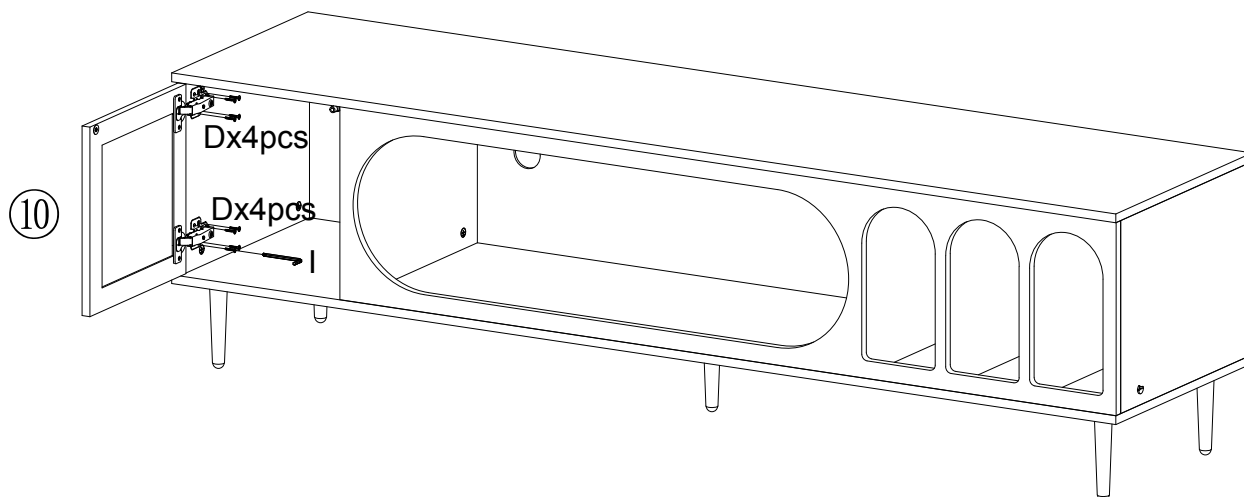
STEP 10



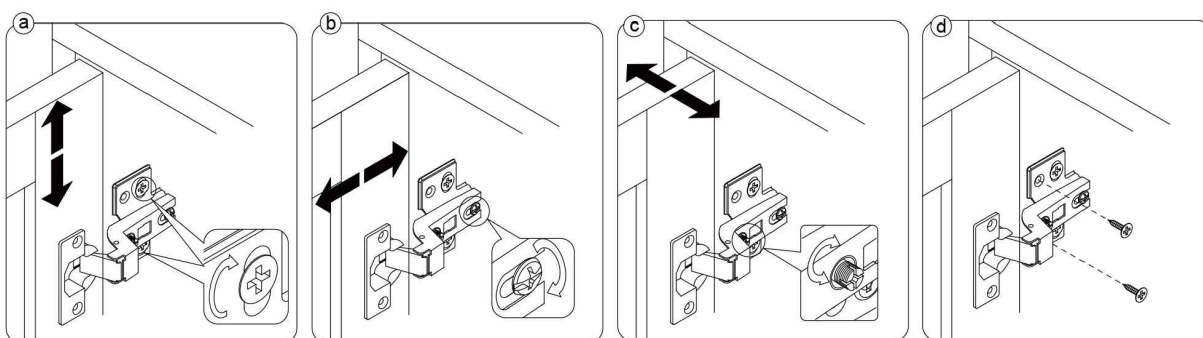
				
D x 4pcs	F x 2pcs	G x 1pc	I x 1pc	J x 1pc

Assembly Instructions



STEP 11



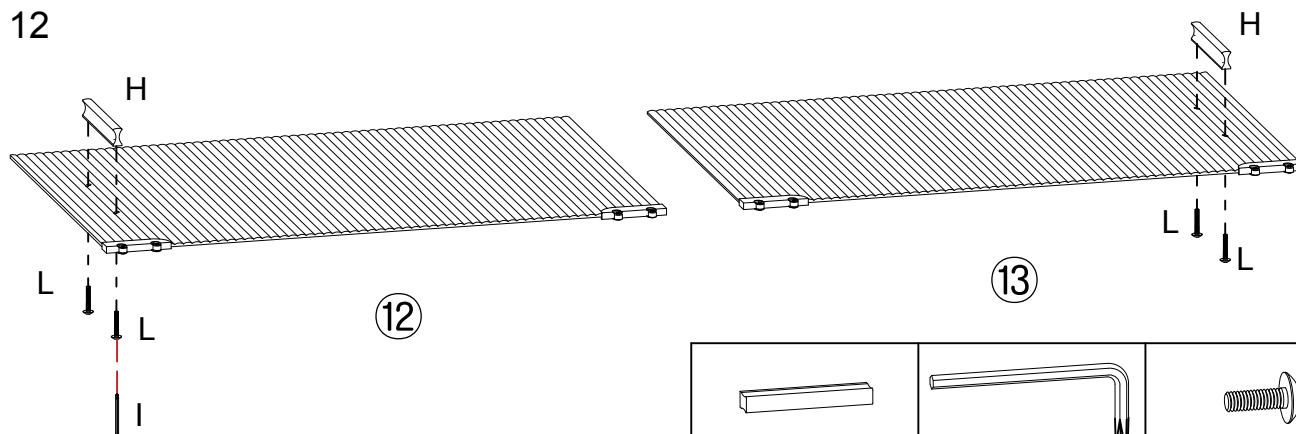
When the hinges are installed, you can refer to the pictures to adjust crevice of the doors till it's perfect:



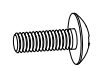


1. To adjust the doors up and down, please refer to step (a)
2. To adjust the distance between the doors and side panels, please refer to step (b)
3. To adjust the gap between two doors, please refer to step (c)
4. After the adjustment finished, please tight the screws, refer to step (d)

	
D x 8pcs	l x1pc

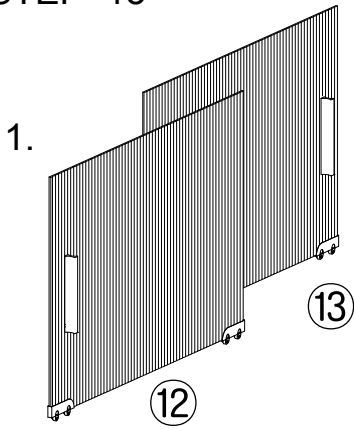
STEP 12



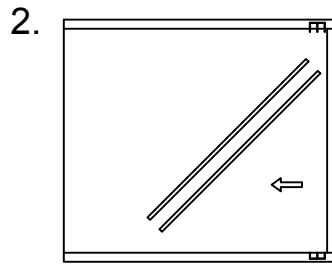
		
H x 2pcs	l x1pc	L x4pcs

Assembly Instructions

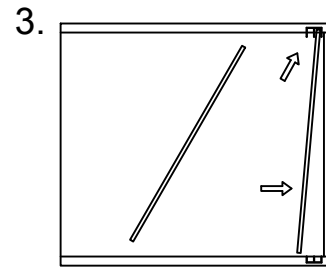
STEP 13



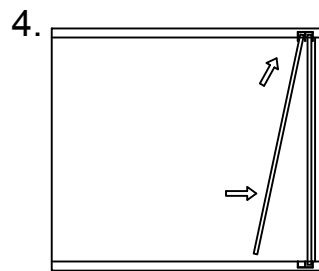
The two glass doors are stacked in the picture



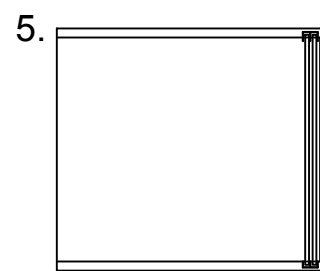
Put the two pieces in the cabinet diagonally



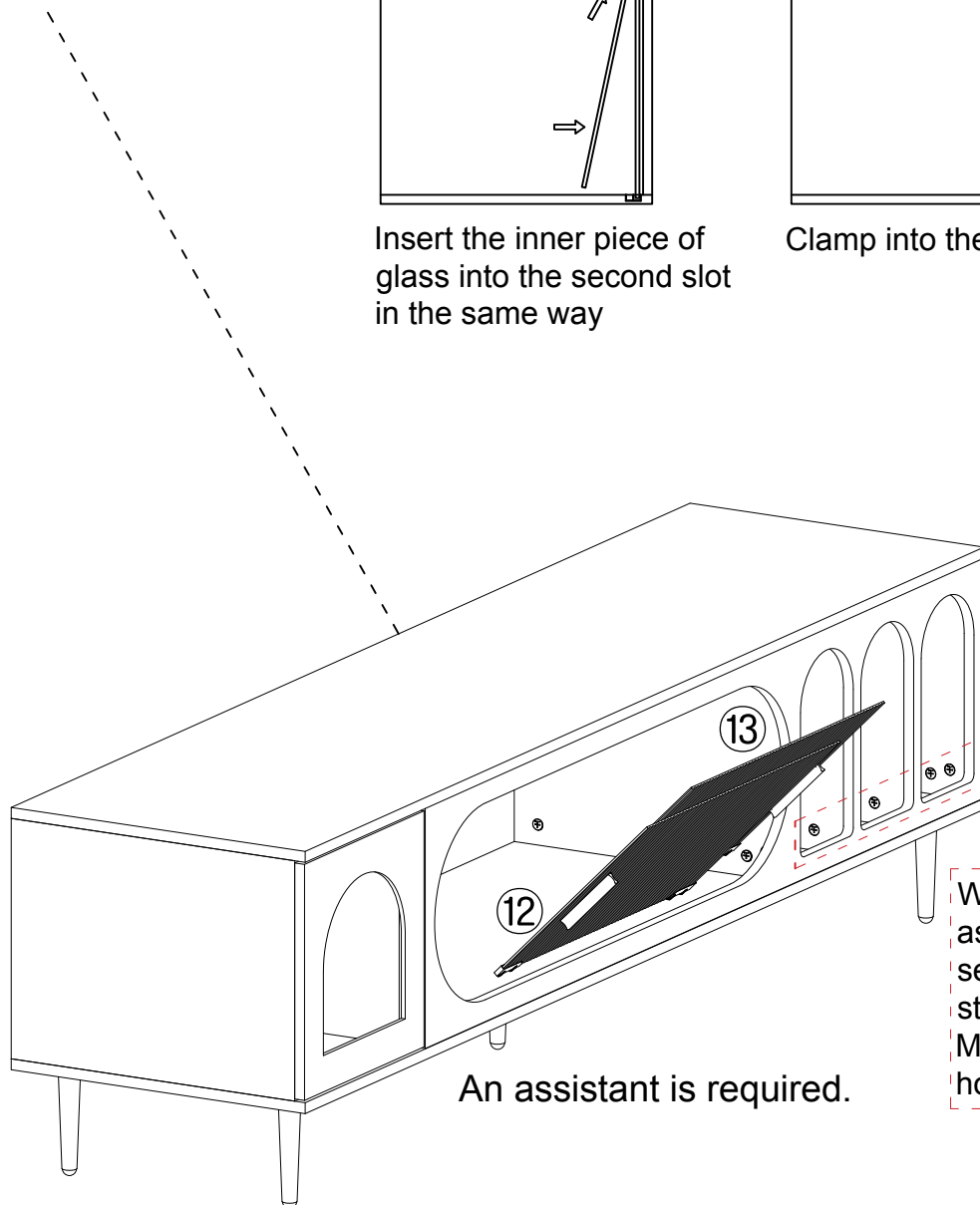
Need a helper to hold the inner piece, insert the outer piece glass into the first card slot in front of the panel, and move the bottom outwards into the first card slot in the bottom plate



Insert the inner piece of glass into the second slot in the same way



Clamp into the slot as shown



When you are finished assembling, you can selectively use circular stickers with number M to stick these 4 holes together.