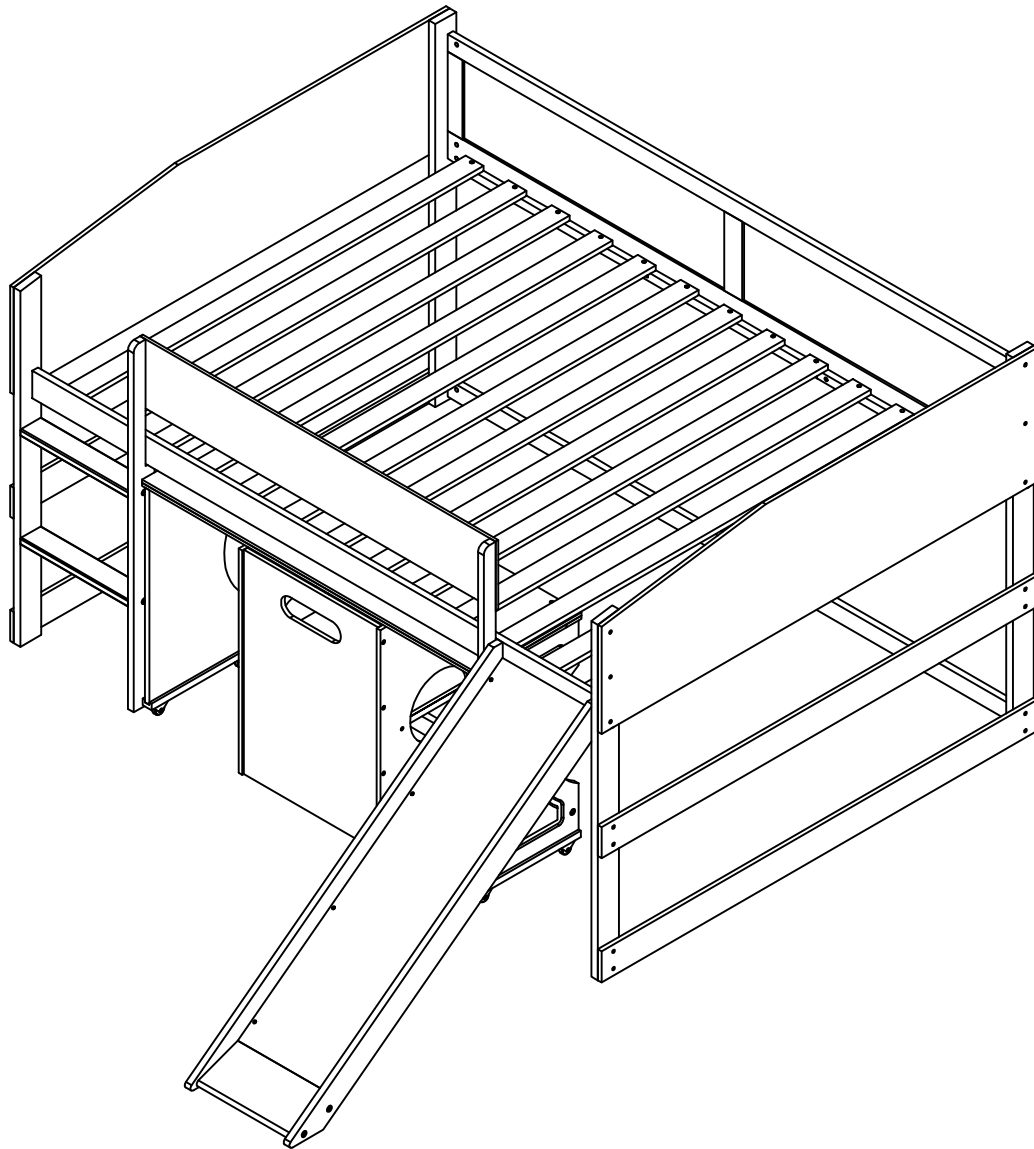


ASSEMBLY INSTRUCTIONS

ITEM CODE: WF302934/WF302935





SAFETY WARNING



1. This bed is designed for use only mattress (es) meeting the following specifications on the upper bunk, and lower bunk:

Upper bunk (bunk bed and tribed included)

Bed type	Length	With	Thickness
Twin Standard	74" – 75"	38½"	6" max

2. Replacement parts, including additional guardrails, maybe obtained from any of our (GIGACLOUD TECHNOLOGY (USA) INC. 18961 ARENTH AVENUE CITY OF INDUSTRY, CA, 91748) dealers.
3. Follow the information on the warnings appearing on the upper bunk bed end structure and on the carton.
Do not remove warning label from bed.
4. Always use the recommended size mattresses or mattress supports, or both, to help prevent the likelihood of entrapment or falls.
5. Surface of mattress must be at least 5" (127mm) below the upper edge of guardrails.
6. Do not allow children under 6 years of age to use the upper bunk.
7. Periodically check and ensure that the guardrail, ladder, and other components are in their proper position, free from damage, and that all connectors are tight.
8. Do not allow horseplay on or under the bed and prohibit jumping on the bed.
9. Always use the ladder for entering and leaving the upper bunk.
10. Do not use substitute part. Contact the manufacture or dealer for replacement part.
11. Use of a night light may provide added safety precaution for a child using the upper bunk.
12. Always use guardrails on both long sides of the upper bunk. If the bunk bed will be placed next to the wall, the guardrail that runs the full length of the bed should be placed against the wall to prevent entrapment between the bed and wall.
13. The use of water or sleep flotation mattresses is prohibited.
14. STRANGULATION HAZARD - Never attach or hang items to any part of the bunk bed that are not designed for use with the bed; for example, but not limited to, hook, belts and jump ropes.
15. Keep these instruction for future reference.
16. Prohibit more than one person on upper bunk.
17. We recommend assembling your bunk bed on the shipping carton to protect your floor or carpet.
18. Be certain all staples are out of the box before beginning assembly on the shipping carton.

ASSEMBLY INSTRUCTIONS

1. At the beginning:

Tighten all hardware.

Check metal parts for rust. If found, sand and repaint using a non-lead-based paint meeting the requirements of 16 CFR 1303

Check all wood members for deterioration and splinters. Sand down splinters and replace deteriorating wood members.

Rake and check depth of loose fill protective surfacing materials to prevent compaction and to maintain appropriate depth

Replace as necessary.

2. Twice a month:

Tighten all hardware.

Rake and check depth of loose fill protective surfacing materials to prevent compaction and to maintain appropriate depth

Replace as necessary.

3. Owners shall be responsible for maintaining the legibility of the warning labels.

4. Disposal Instructions:

There shall be instructions advising the owner to disassemble and dispose of the playground equipment in such a way that no unreasonable hazards will exist at the time the playground equipment is discarded

5. The instructions shall also include the information found in Section 4 of the United States Consumer Product

Safety Commission's (USCPSC) Outdoor Home Playground Safety Handbook or specific surfacing guidelines

for the product consistent with the USCPSC Handbook. A copy of this section may be found in Appendix X2

6. Observing the following statements and warning reduces the likelihood of serious or fatal injury.

7. Specifying the number and weight occupants that may safely use the equipment singly or simultaneously.

8. Recommending on-site adult supervision for children of all ages.

9. Warning the owner to instruct children not to use the equipment in a manner other than intended.

10. Warning the owner to instruct children not to get off equipment while it is in motion.

11. Warning the owner not to allow children to wear inappropriate items, such as but not limited to, loose fitting clothing, hood and neck drawstrings, scarves, cord-connected items, capes and ponchos. These items can cause death by strangulation.

12. Warning the owner to instruct children not to climb when the equipment is wet.

13. Warning the owner to instruct children not to attach items to the playground equipment that are not specifically designed for use with the equipment, such as, but not limited to, jump ropes, clothesline, pet leashes, cables and chain as they may cause a strangulation hazard.

14. Warning the owner to instruct children to remove their bike or other sports helmet before playing on the playground equipment.

15. Warning the owner to dress children with well-fitting and full foot enclosing footwear. Examples of inappropriate footwear are clogs, flip flops, and sandals.

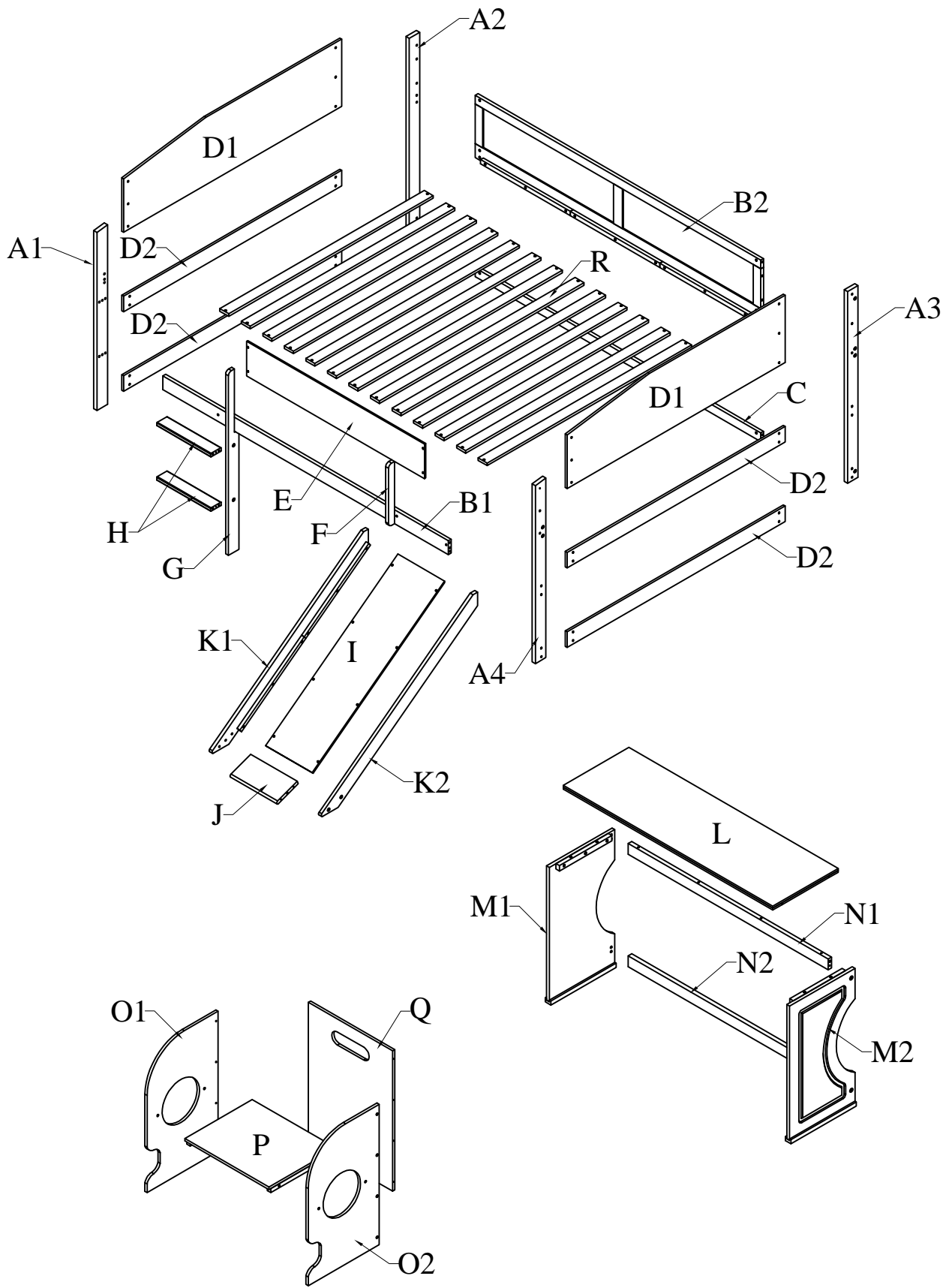
16. Place the equipment on level ground, not less than 6 ft (1.8m) from any structure or obstruction such as a fence, garage, house, overhanging branches, laundry lines, or electrical wires.

17. Do not install home playground equipment over concrete, asphalt, packed earth, grass, carpet, or any other hard surface.

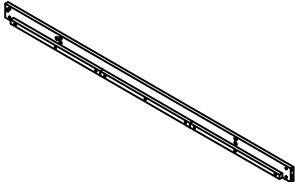
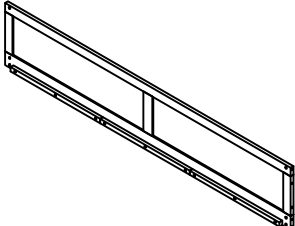
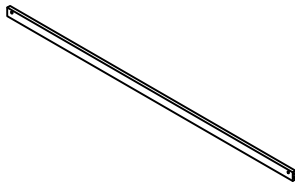
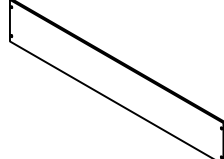
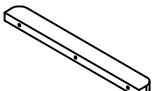
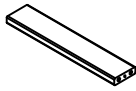
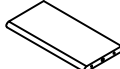
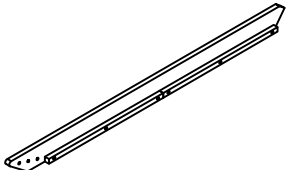
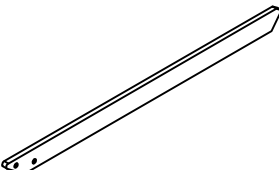
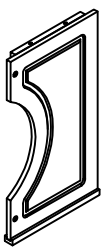

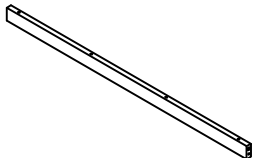
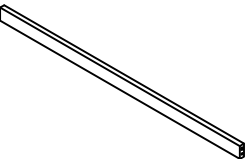
A fall onto a hard surface can result in serious injury or death to the equipment user.

18. To prevent serious injury, cautionary statements shall be included which warn that children must not use the equipment until property installed.





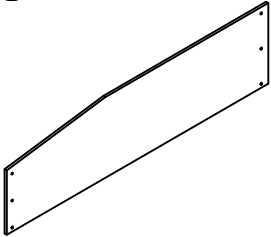
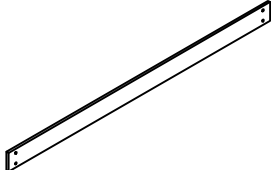

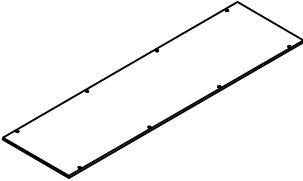
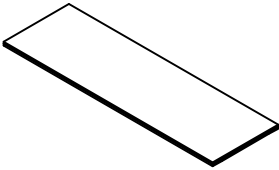
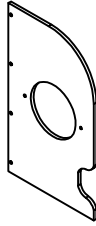
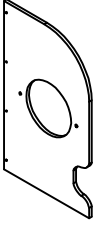
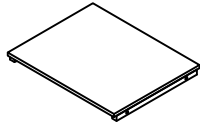
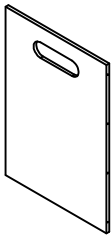
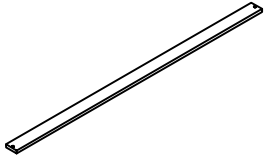
DETAIL VIEW



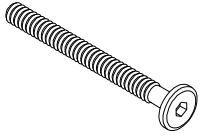
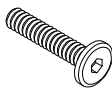
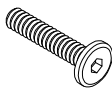
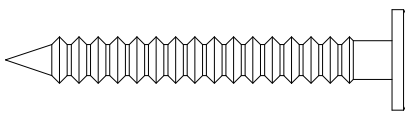
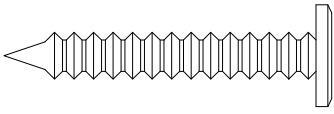
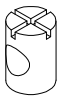
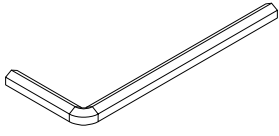

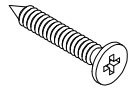
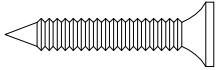
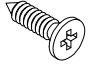
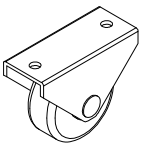
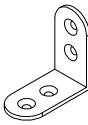
BOX 1: WF302934

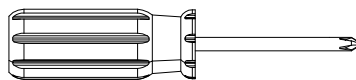
<p>B1</p>  <p>Side rail - front (1pc)</p>	<p>B2</p>  <p>Side rail - back (1pc)</p>	<p>C</p>  <p>Guardrail (1pc)</p>	<p>E</p>  <p>Front panel - front (1pc)</p>
<p>F</p>  <p>Vertical rail (1pc)</p>	<p>H</p>  <p>Stair bar (2pcs)</p>	<p>J</p>  <p>Left side rail - slide (1pc)</p>	<p>K1</p>  <p>Right side rail - slide (1pc)</p>
<p>K2</p>  <p>Slide bar (1pc)</p>	<p>M1</p>  <p>Leg table - left (1pc)</p>	<p>M2</p>  <p>Leg table - right (1pc)</p>	<p>N1</p>  <p>Support table - top (1pc)</p>
<p>N2</p>  <p>Support table - bottom (1pc)</p>			

BOX 2: WF302935

<p>A1</p>  <p>Front leg - left (1pc)</p>	<p>A2</p>  <p>Back leg - left (1pc)</p>	<p>A3</p>  <p>Back leg - right (1pc)</p>	<p>A4</p>  <p>Front leg - right (1pc)</p>
<p>D1</p>  <p>Horizontal panel - top (2pcs)</p>	<p>D2</p>  <p>Horizontal rail - bottom (4pcs)</p>	<p>G</p>  <p>Stair vertical - right (1pc)</p>	<p>I</p>  <p>Top panel - slide (1pc)</p>
<p>L</p>  <p>Top table (1pc)</p>	<p>O1</p>  <p>Leg chair - left (1pc)</p>	<p>O2</p>  <p>Leg chair - right (1pc)</p>	<p>P</p>  <p>Seat chair (1pc)</p>
<p>Q</p>  <p>Back chair (1pc)</p>	<p>S</p>  <p>Slats (13pcs)</p>		

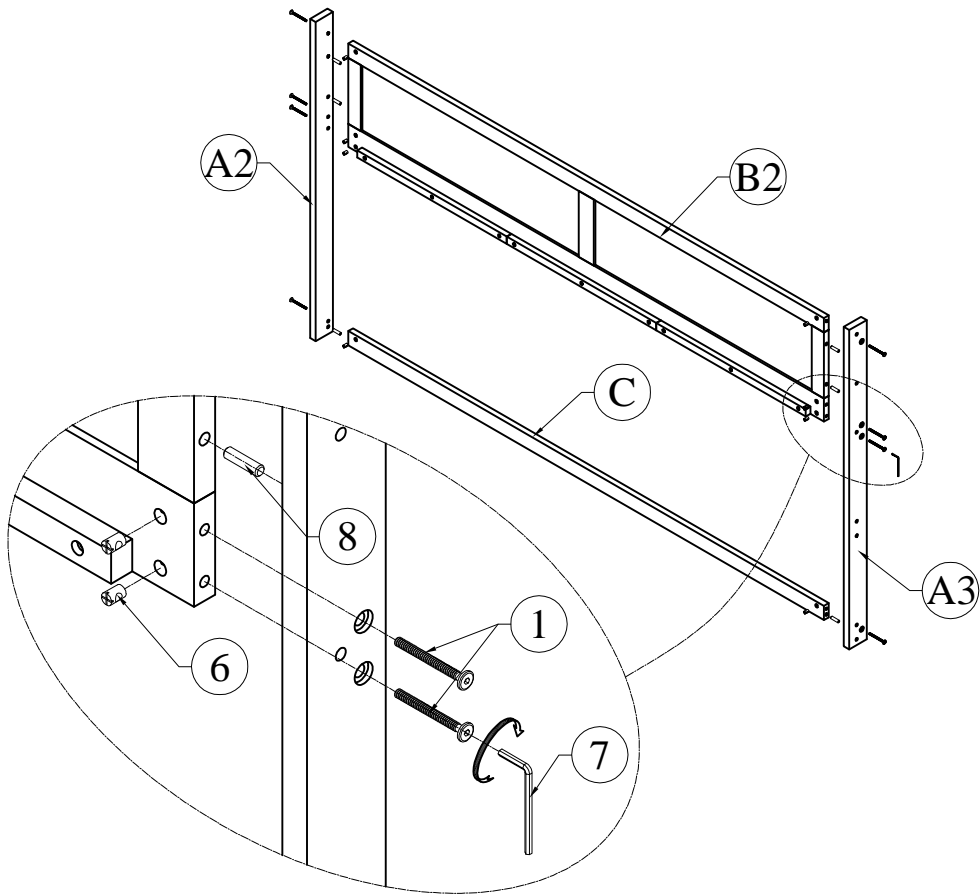
HARDWARE LIST: WF302934

<p>1</p>  <p>Hex - Head bolts Ø1/4" * 60- 12pcs</p>	<p>2</p>  <p>Hex - Head bolts Ø1/4" * 30- 4pcs</p>	<p>3</p>  <p>Hex - Head bolts Ø1/4" * 25- 28pcs</p>	<p>4</p>  <p>Hexagonal bolts catch wood Ø6 * 50 - 12pcs</p>
<p>5</p>  <p>Hexagonal bolts catch wood Ø6 * 40 - 8pcs</p>	<p>6</p>  <p>Horizontal - Hold bolts Ø1/4" - 12pcs</p>	<p>7</p>  <p>Allen key K4 - 1pc</p>	<p>8</p>  <p>Wood dowel Ø8 * 30 - 26pcs</p>
<p>9</p>  <p>Wood crews M4 * 35 - 10pcs</p>	<p>10</p>  <p>Wood crews M4 * 25 - 42pcs</p>	<p>11</p>  <p>Wood crews M3.5 * 15 - 16pcs</p>	<p>12</p>  <p>Wheel - 4pcs</p>
<p>13</p>  <p>Patt L - 2pcs</p>			



Assembly Tools Required (Not Included)

STEP 1

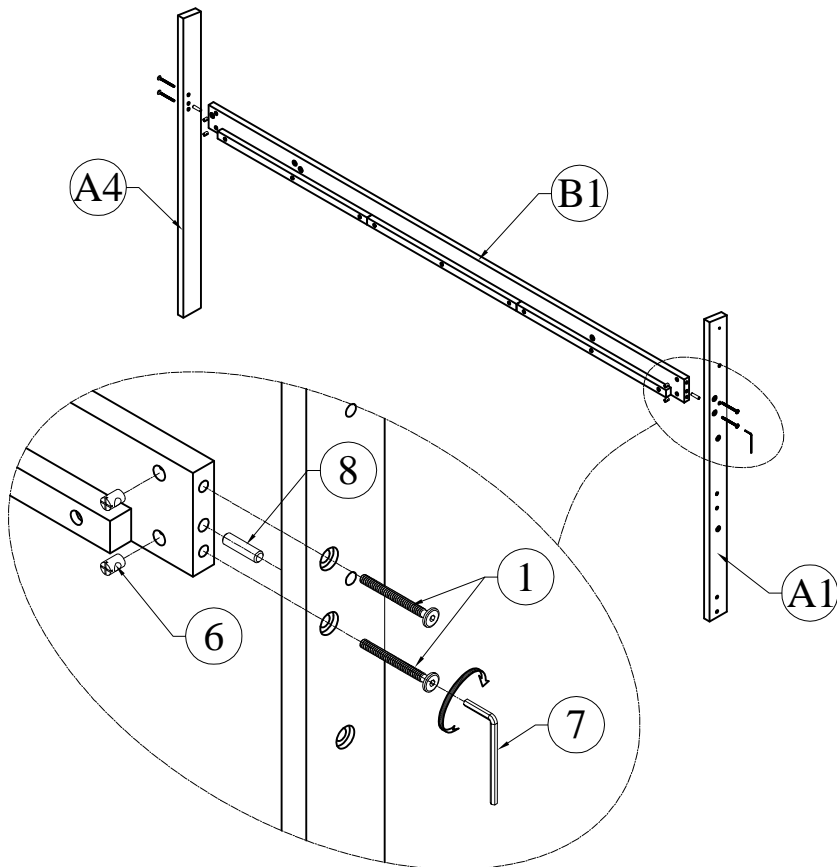


1
Hex - Head bolts
Ø1/4" * 60- 8pcs

6
Horizontal - Hold bolts
Ø1/4" - 8pcs

8
Wood dowel
Ø8 * 30 - 6pcs

STEP 2

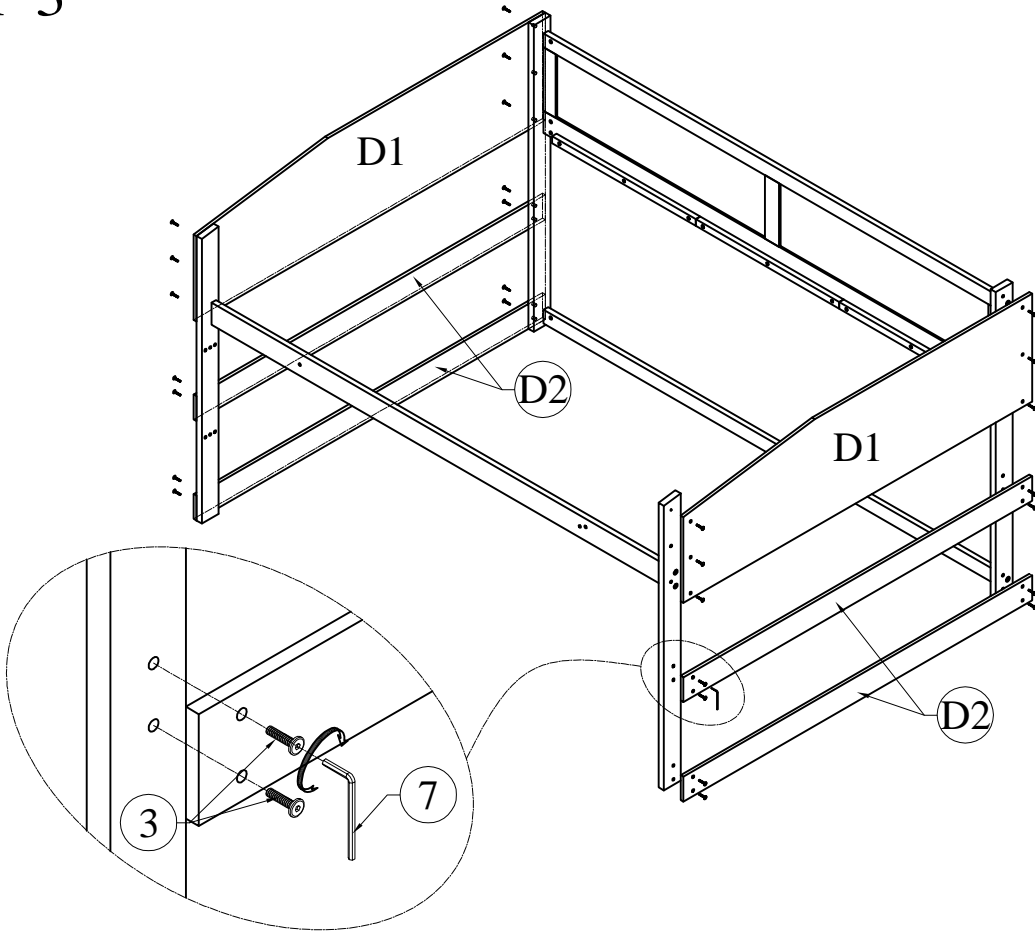


1
Hex - Head bolts
Ø1/4" * 60- 4pcs

6
Horizontal - Hold bolts
Ø1/4" - 4pcs

8
Wood dowel
Ø8 * 30 - 2pcs

STEP 3

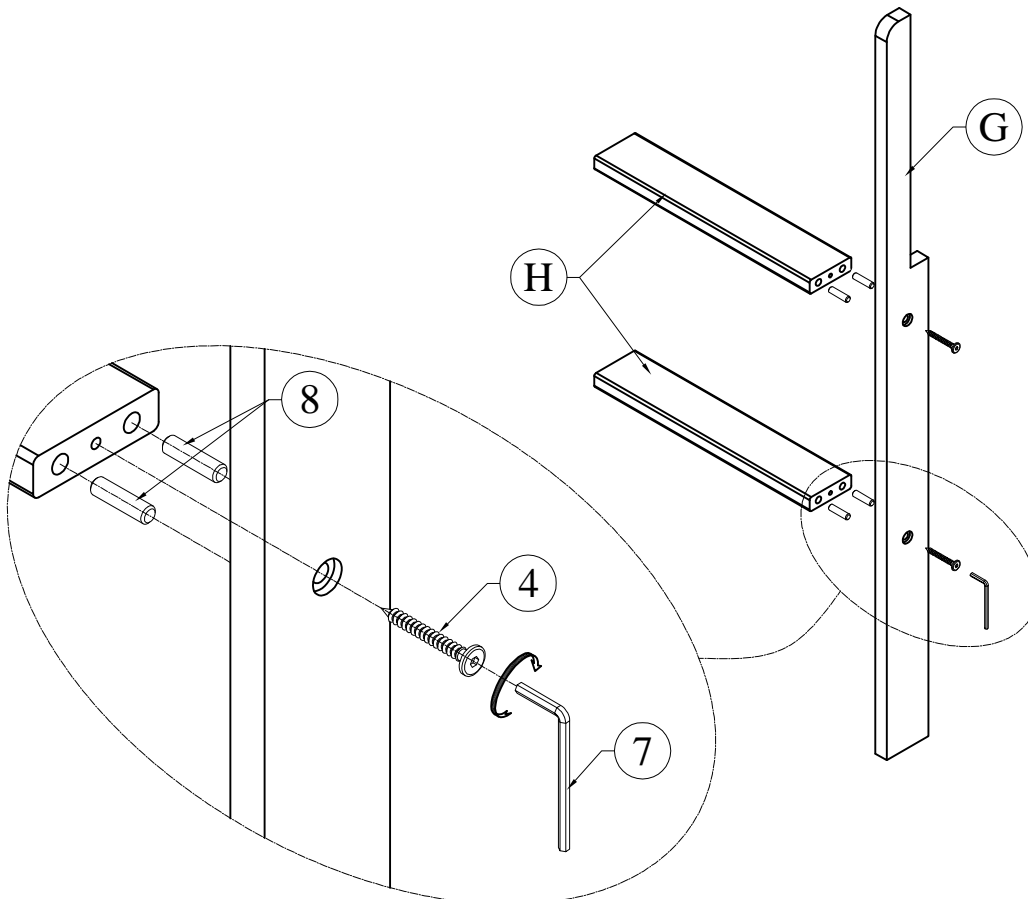


3



Hex - Head bolts
Ø1/4" * 25- 28pcs

STEP 4



4



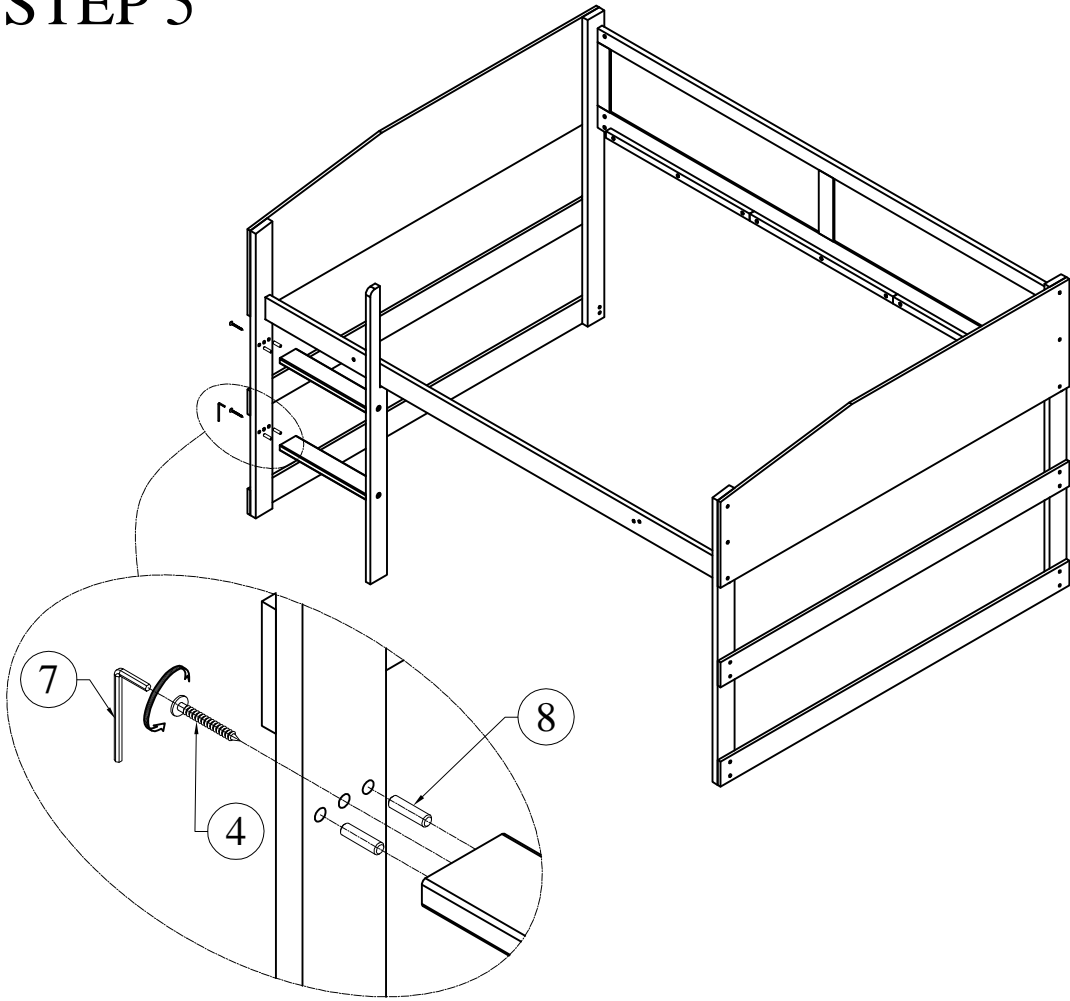
Hexagonal bolts catch wood
Ø6 * 50 - 2pcs

8



Wood dowel
Ø8 * 30 - 4pcs

STEP 5



4



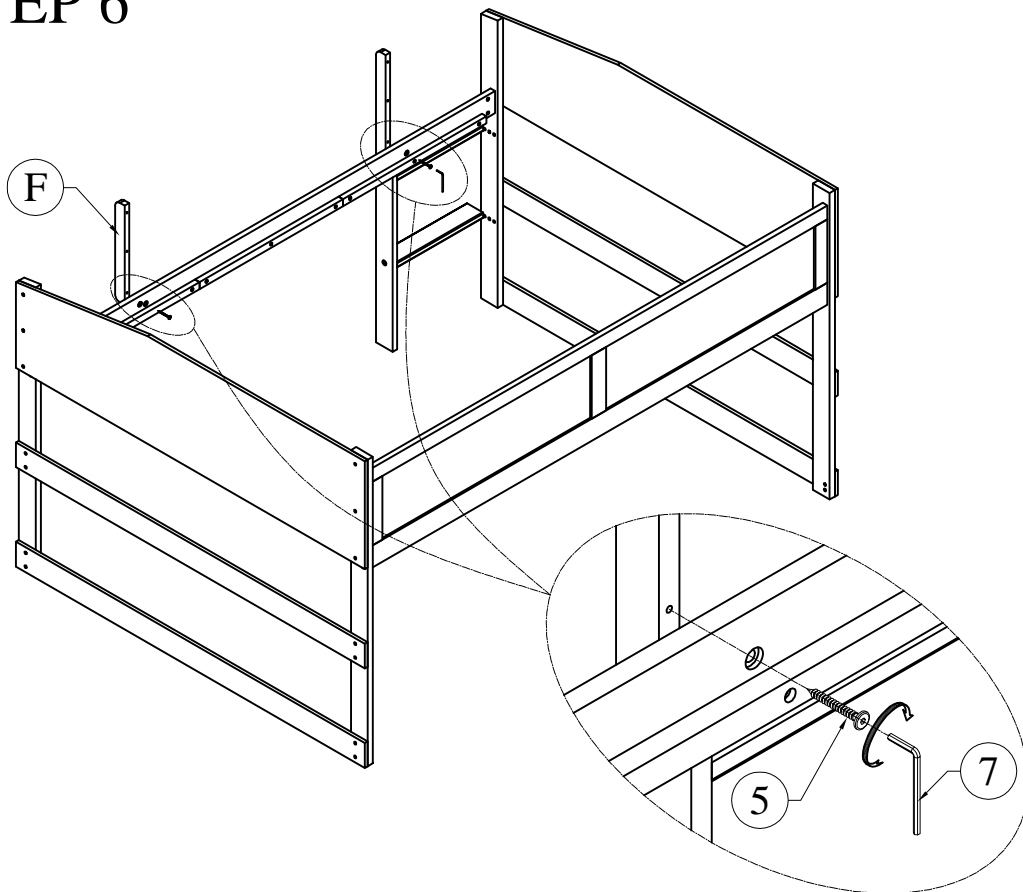
Hexagonal bolts catch wood
Ø6 * 50 - 2pcs

8



Wood dowel
Ø8 * 30 - 4pcs

STEP 6



5



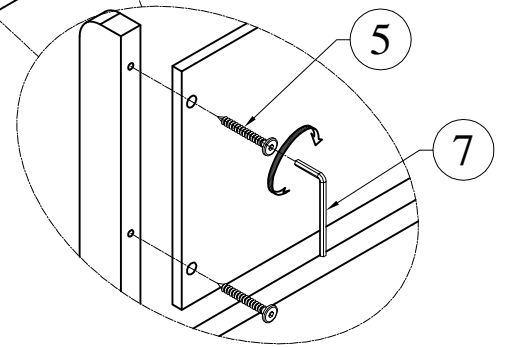
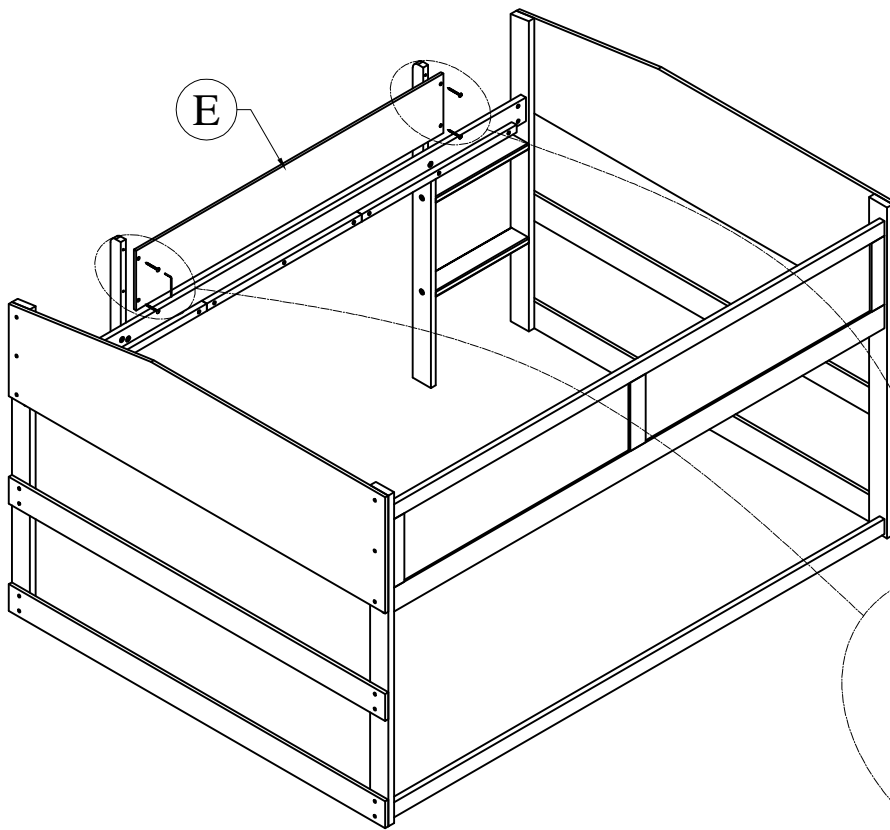
Hexagonal bolts catch wood
Ø6 * 40 - 2pcs

STEP 7

5

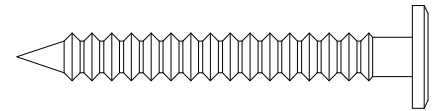


Hexagonal bolts catch wood
Ø6 * 40 - 4pcs



STEP 8

4

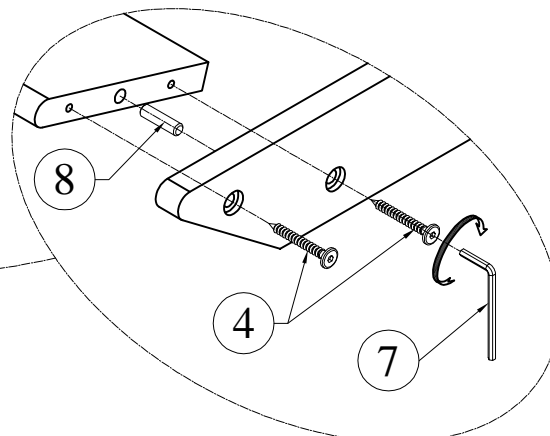
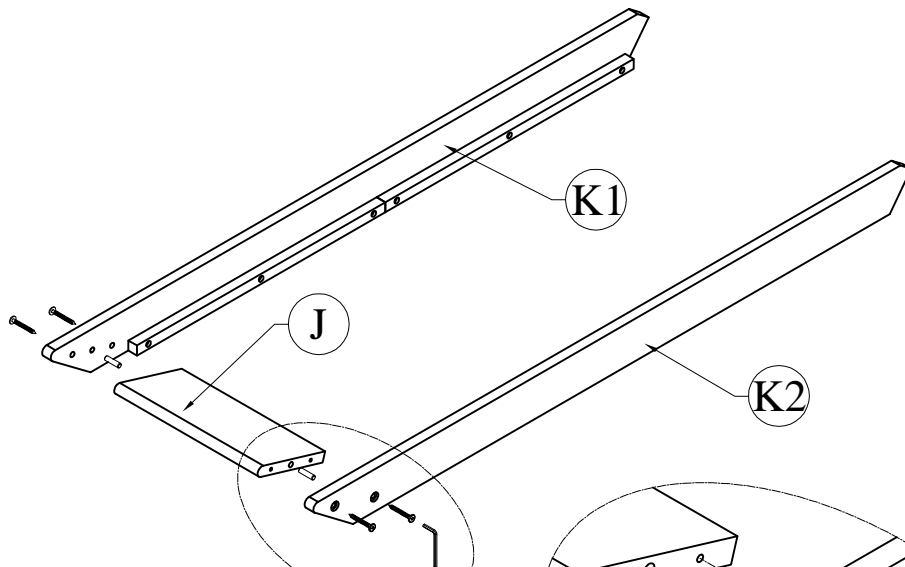


Hexagonal bolts catch wood
Ø6 * 50 - 4pcs

8

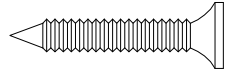


Wood dowel
Ø8 * 30 - 2pcs

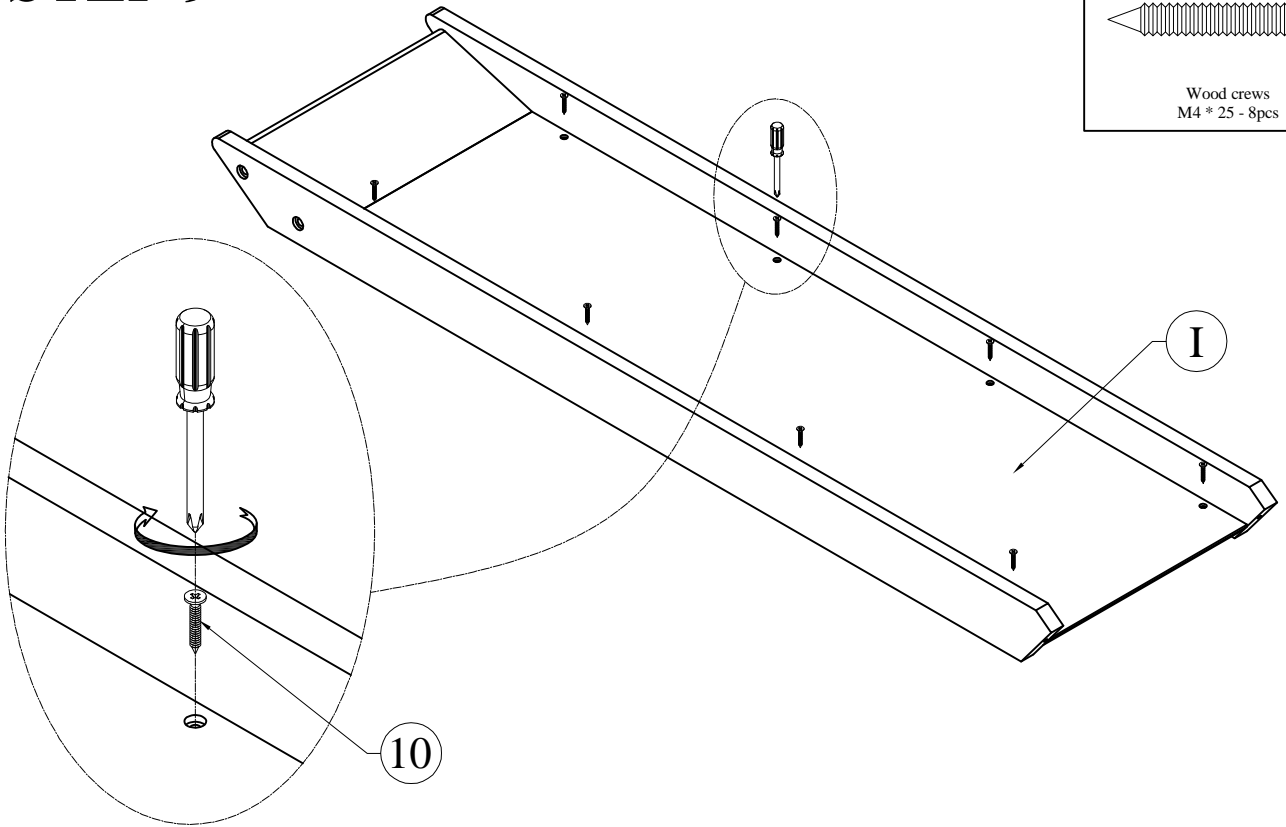


STEP 9

10

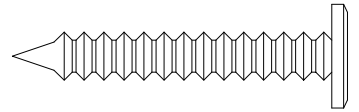


Wood crews
M4 * 25 - 8pcs

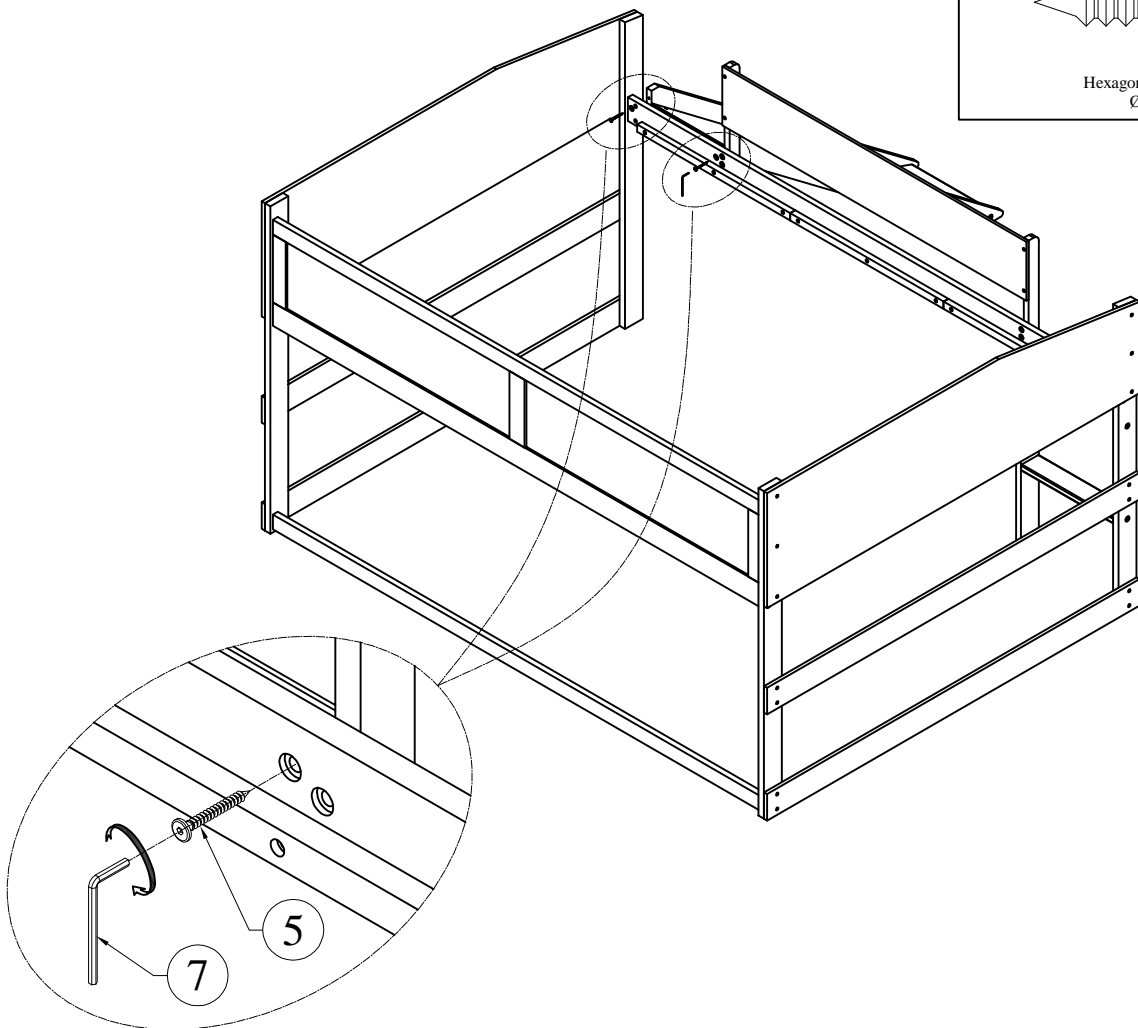


STEP 10

5



Hexagonal bolts catch wood
Ø6 * 40 - 2pcs



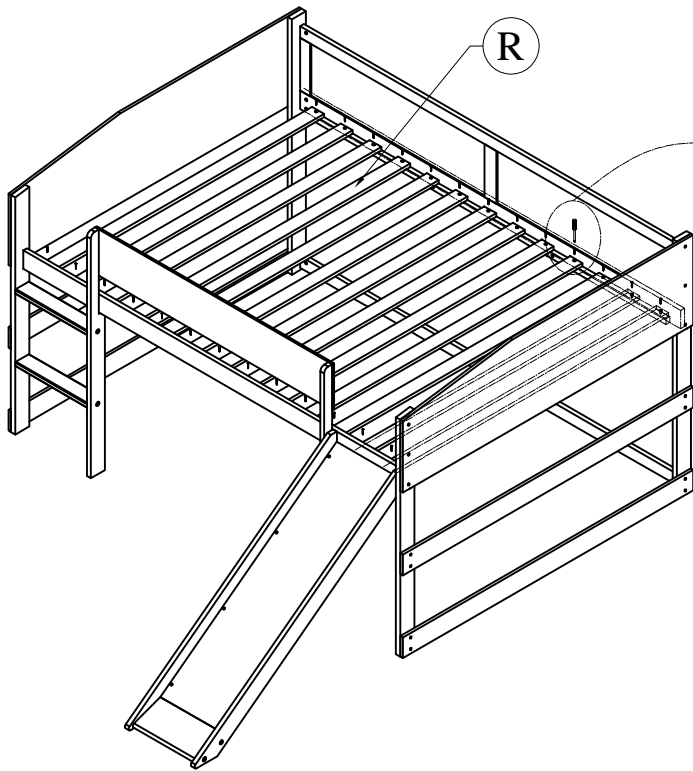
STEP 11

The distance between the slats is 3-3/8 inch

10



Wood crews
M4 * 25 - 26pcs



STEP 12

4

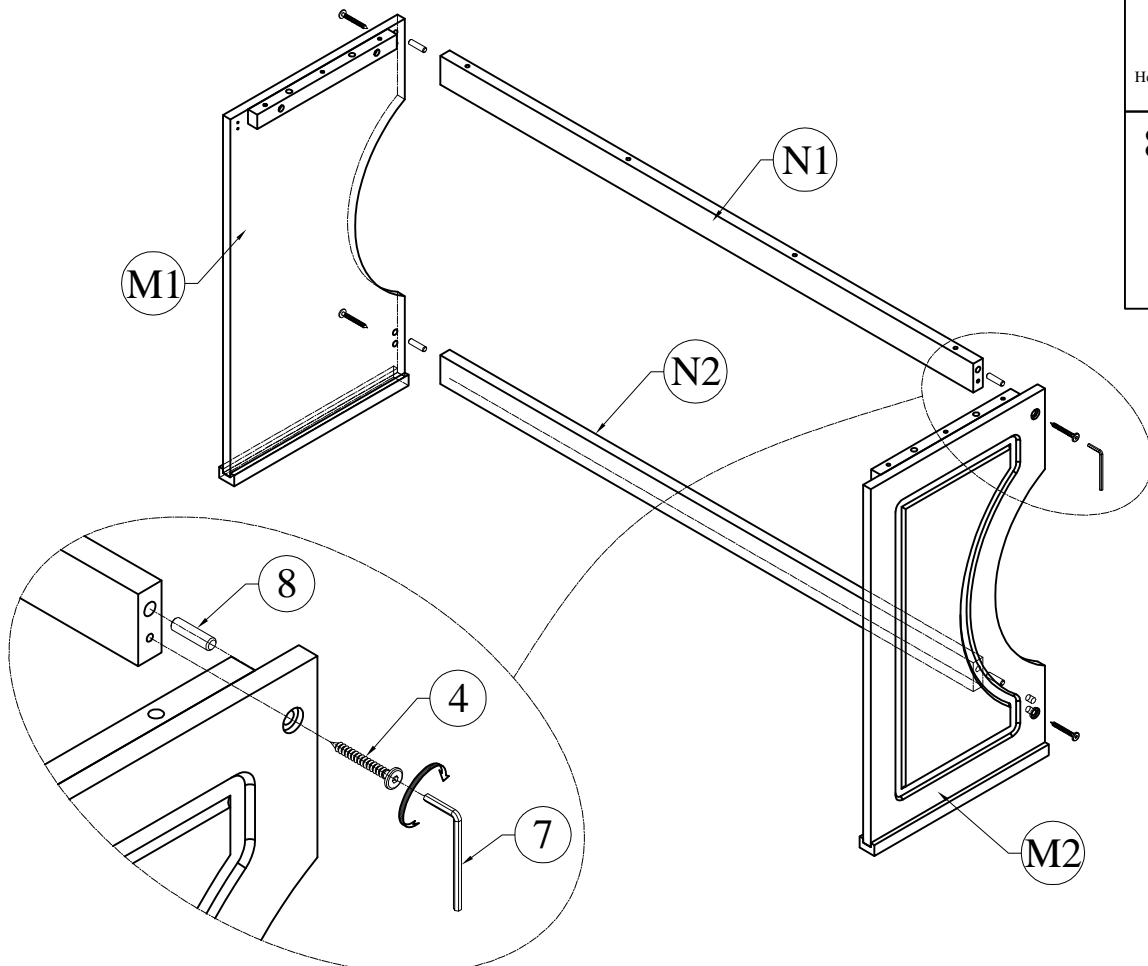


Hexagonal bolts catch wood
Ø6 * 50 - 4pcs

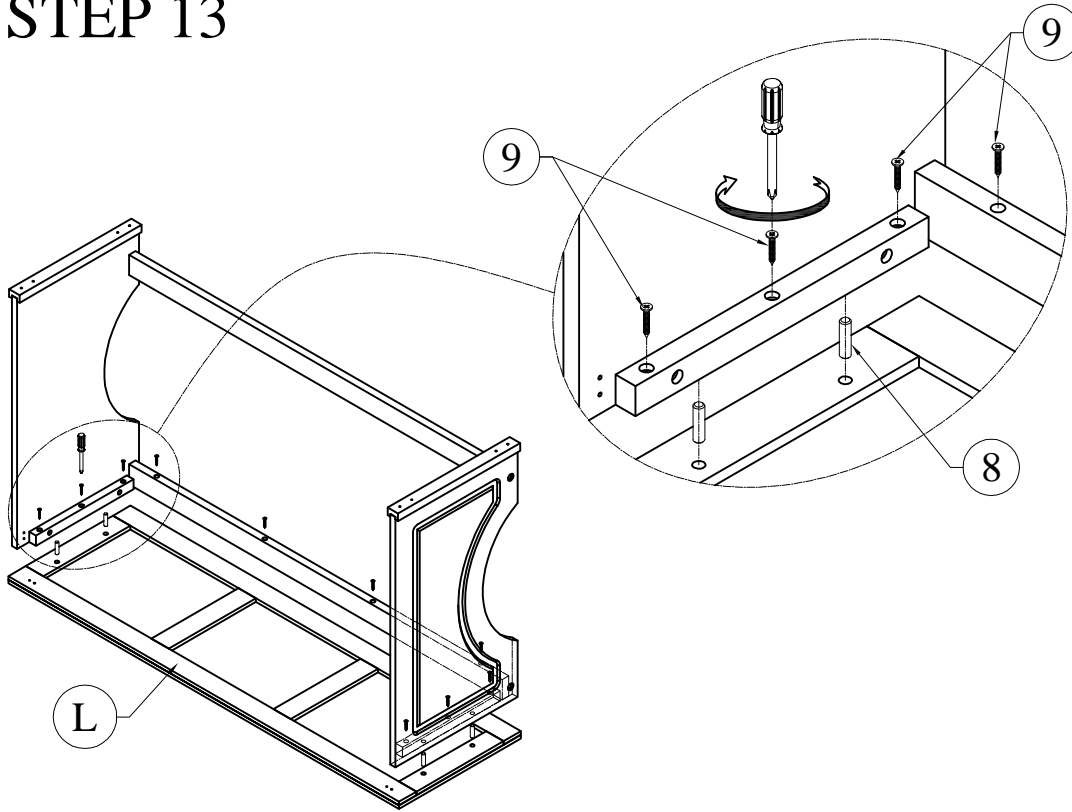
8

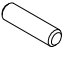



Wood dowel
Ø8 * 30 - 4pcs



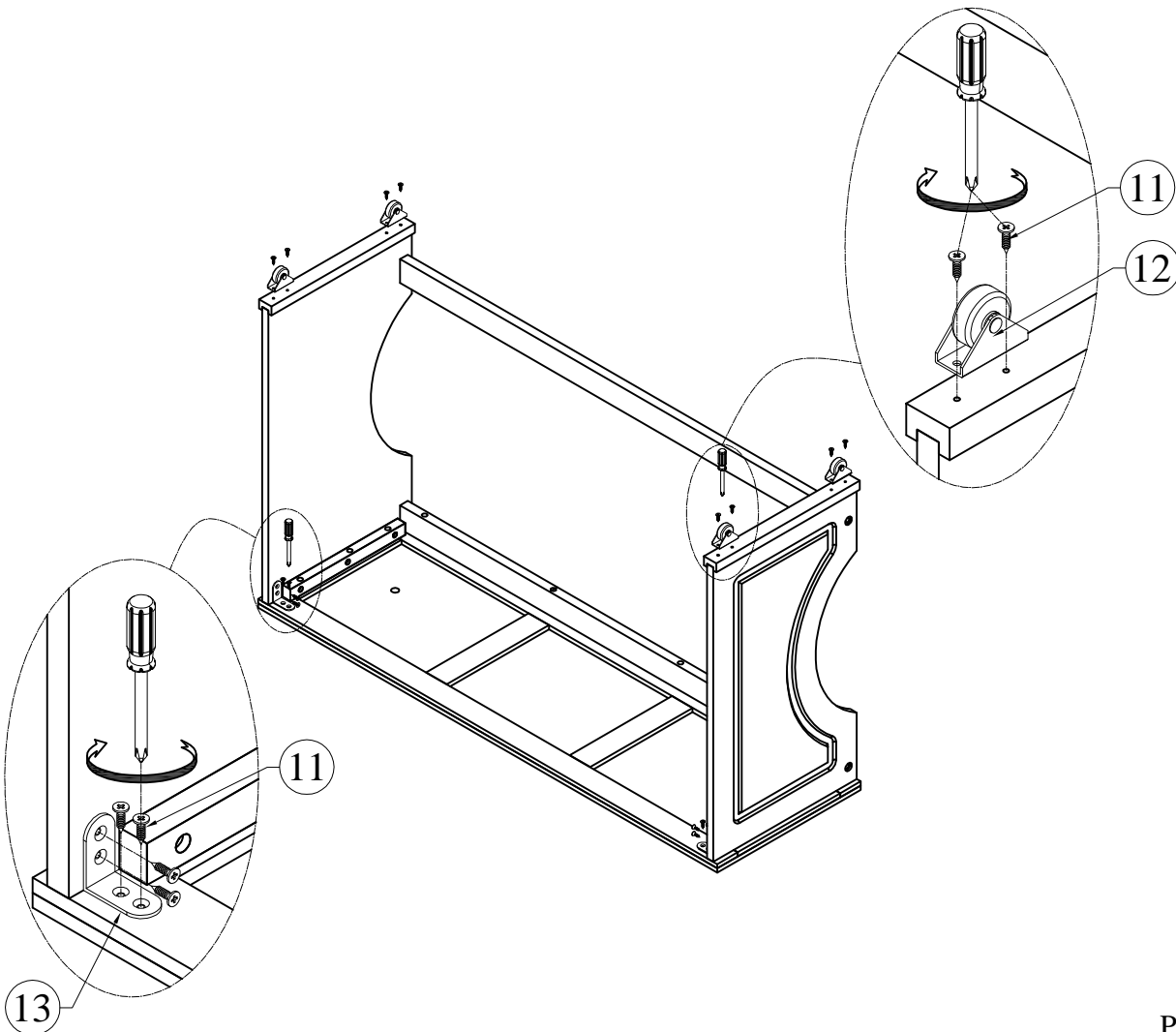
STEP 13




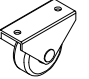
8

 Wood dowel
 Ø8 * 30 - 4pcs

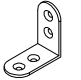
9

 Wood screws
 M4 * 35 - 10pcs

STEP 14

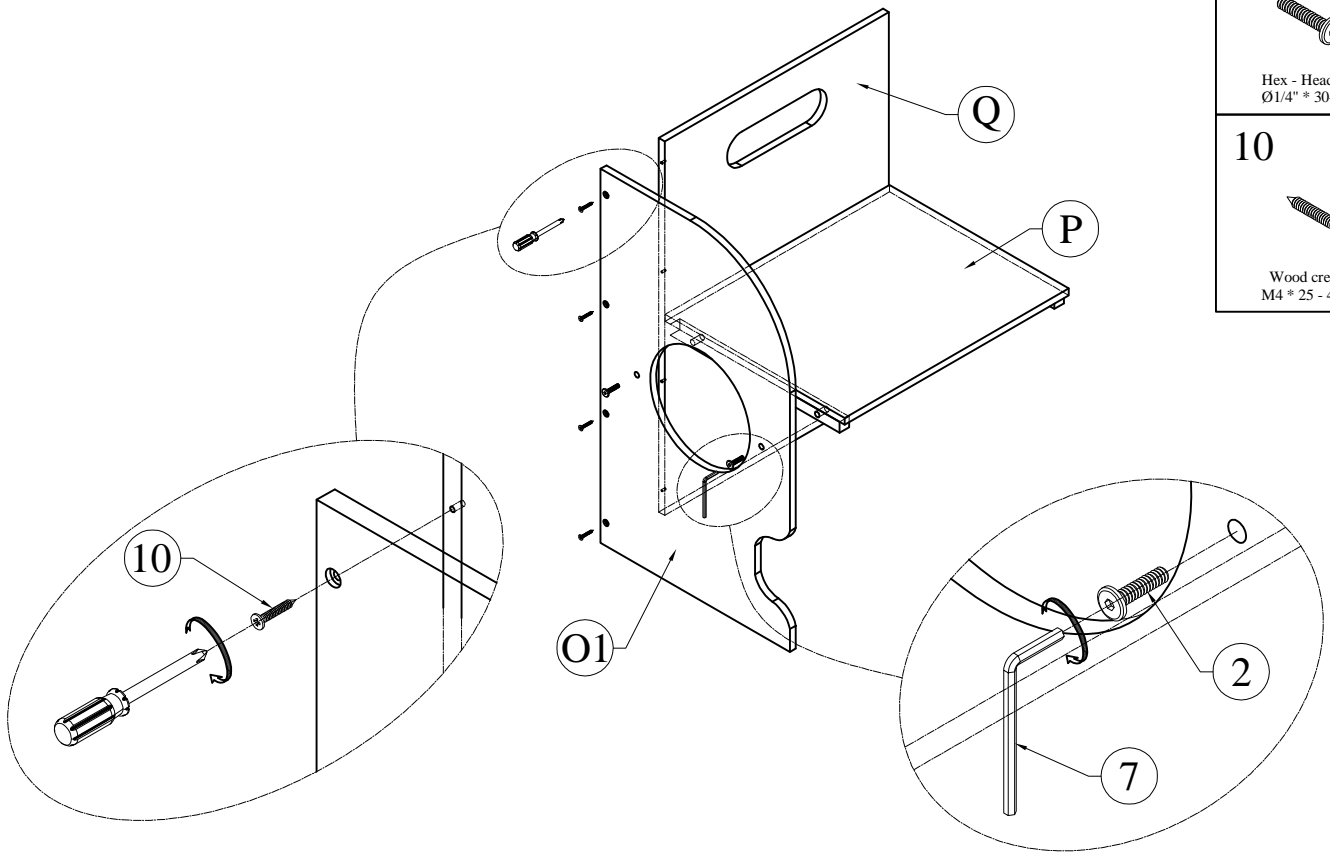


11

 Wood screws
 M3.5 * 15 - 16pcs

12

 Wheel - 4pcs

13

 Patt L - 2pcs

STEP 15



2



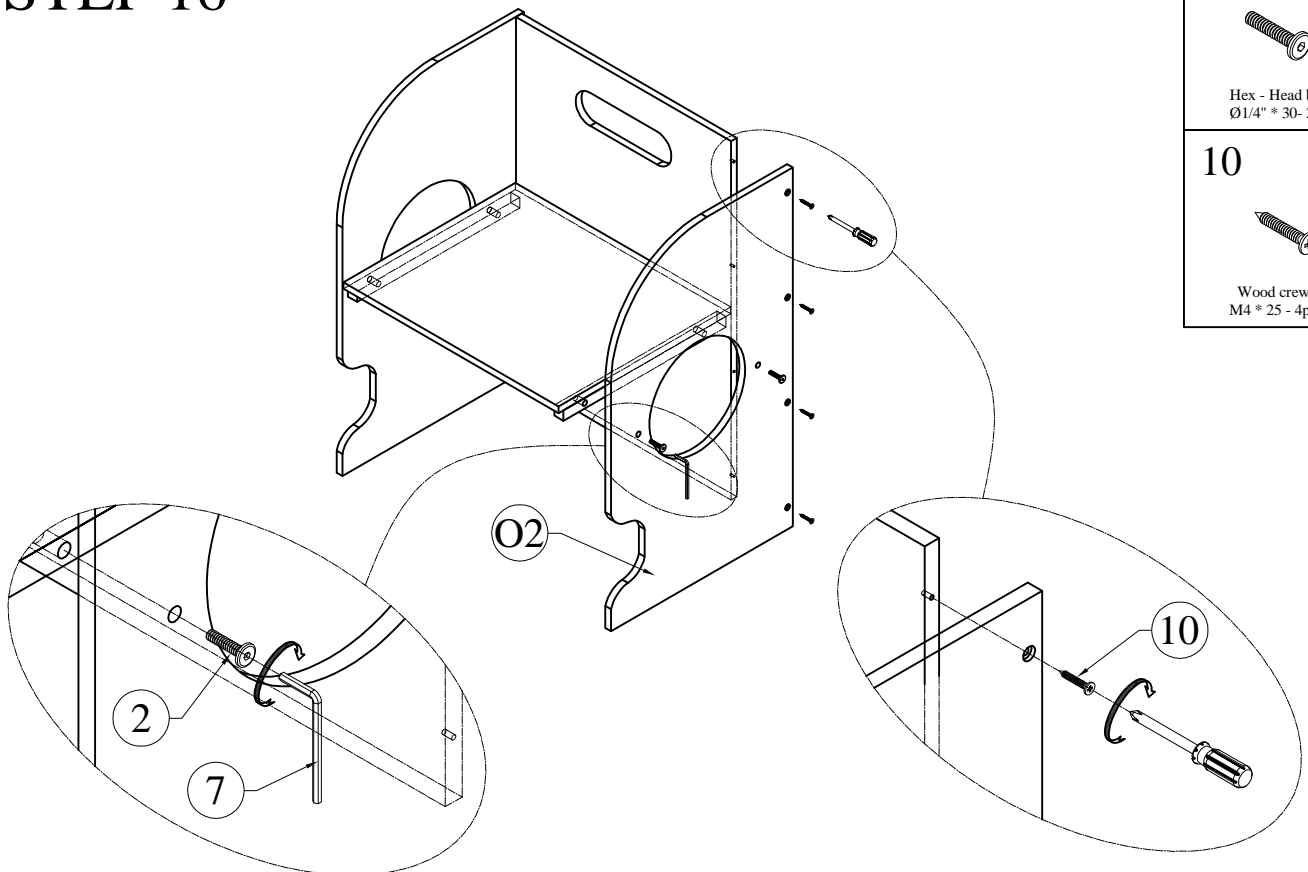
Hex - Head bolts
Ø1/4" * 30- 2pcs

10



Wood crews
M4 * 25 - 4pcs

STEP 16



2



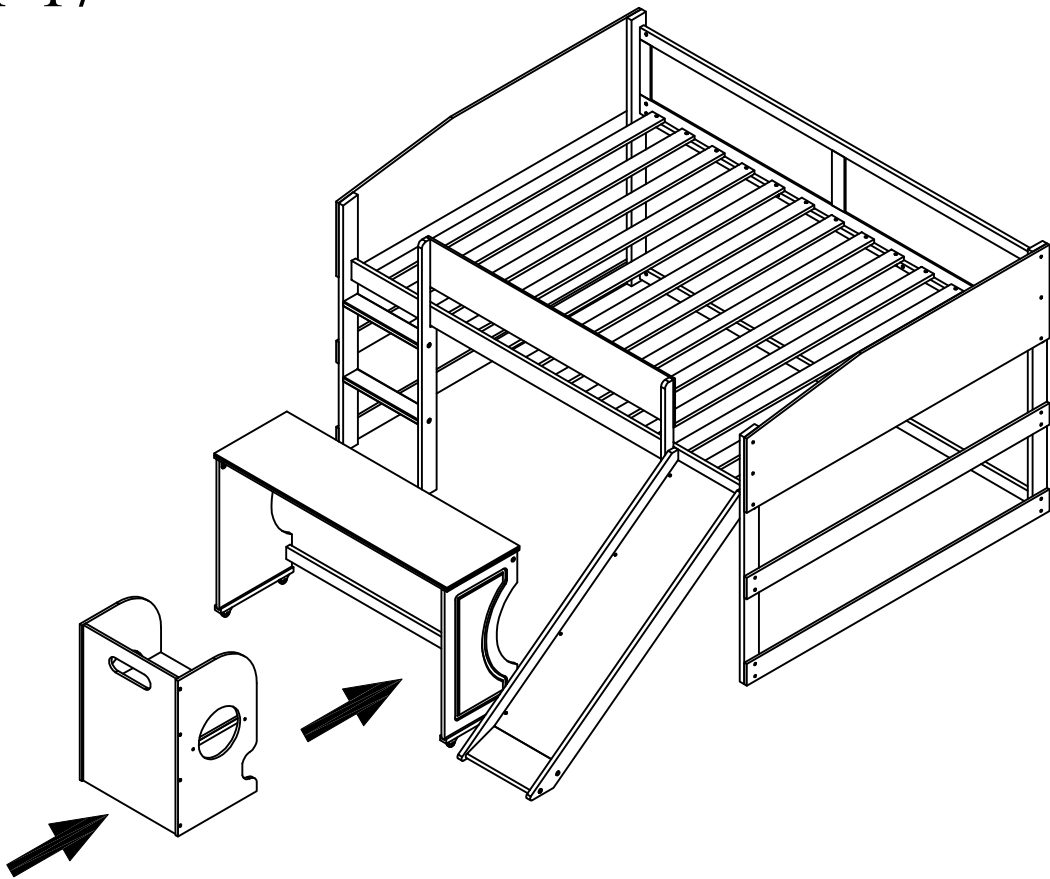
Hex - Head bolts
Ø1/4" * 30- 2pcs

10



Wood crews
M4 * 25 - 4pcs

STEP 17



COMPLETED

