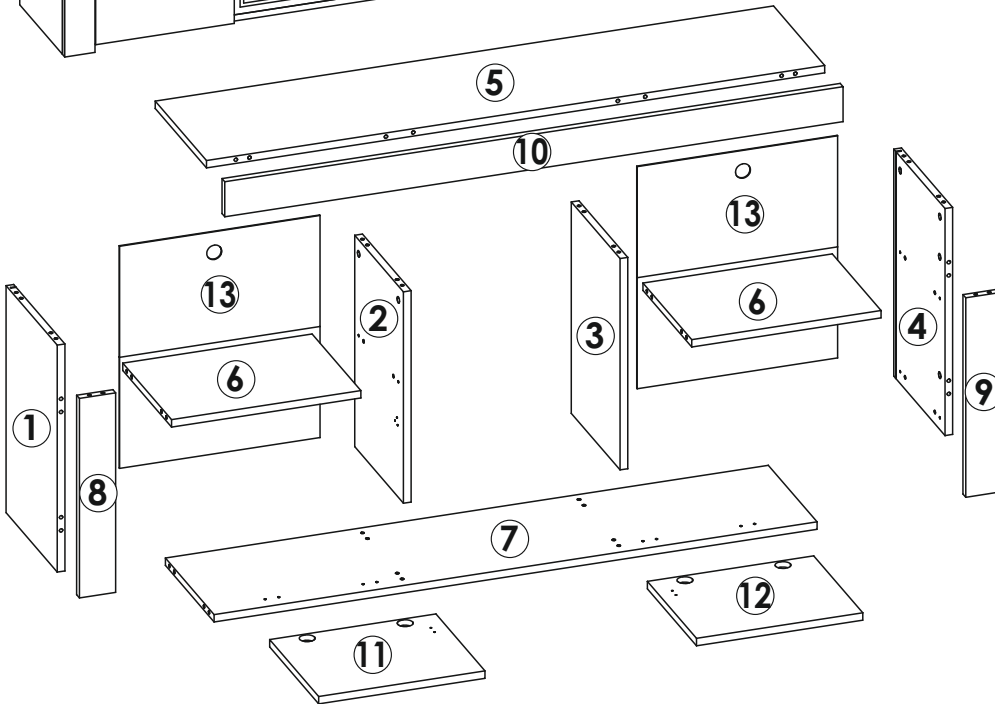
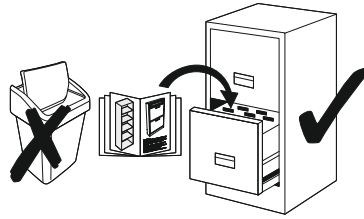
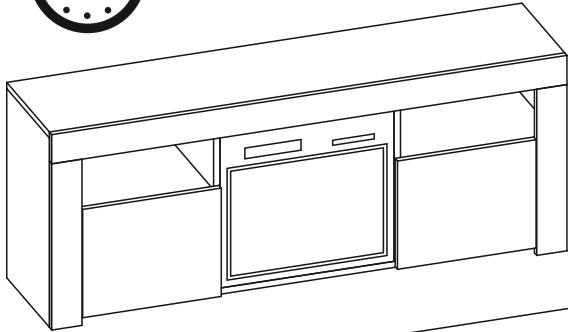




- 60 min.



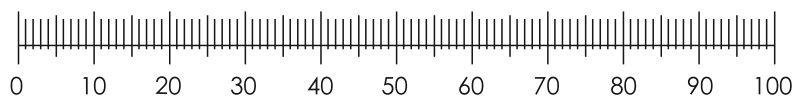
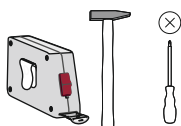
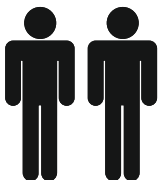
	mm	inch	
①	552 x 330	21,73x12,99	x1
②	513 x 317	20,19x12,48	x1
③	513 x 317	20,19x12,48	x1
④	552 x 330	21,73x12,99	x1
⑤	1450 x 330	57,09x12,99	x1
⑥	456 x 317	17,95x12,48	x2
⑦	1413 x 317	55,63x12,48	x1
⑧	485 x 85	19,09x3,35	x1
⑨	485 x 85	19,09x3,35	x1
⑩	1450 x 85	57,09x3,35	x1
⑪	406 x 306	15,98x12,05	x1
⑫	406 x 306	15,98x12,05	x1
⑬	485 x 540	19,09x21,26	x2



<b>nk1</b>  x4	<b>led-w</b>  x1	<b>led-3a</b>  x2	<b>m</b>  x1	<b>g1</b>  x4	<b>c8</b>  x2	<b>n13</b>  3,5x22 x4
----------------------	------------------------	-------------------------	--------------------	---------------------	---------------------	--------------------------------

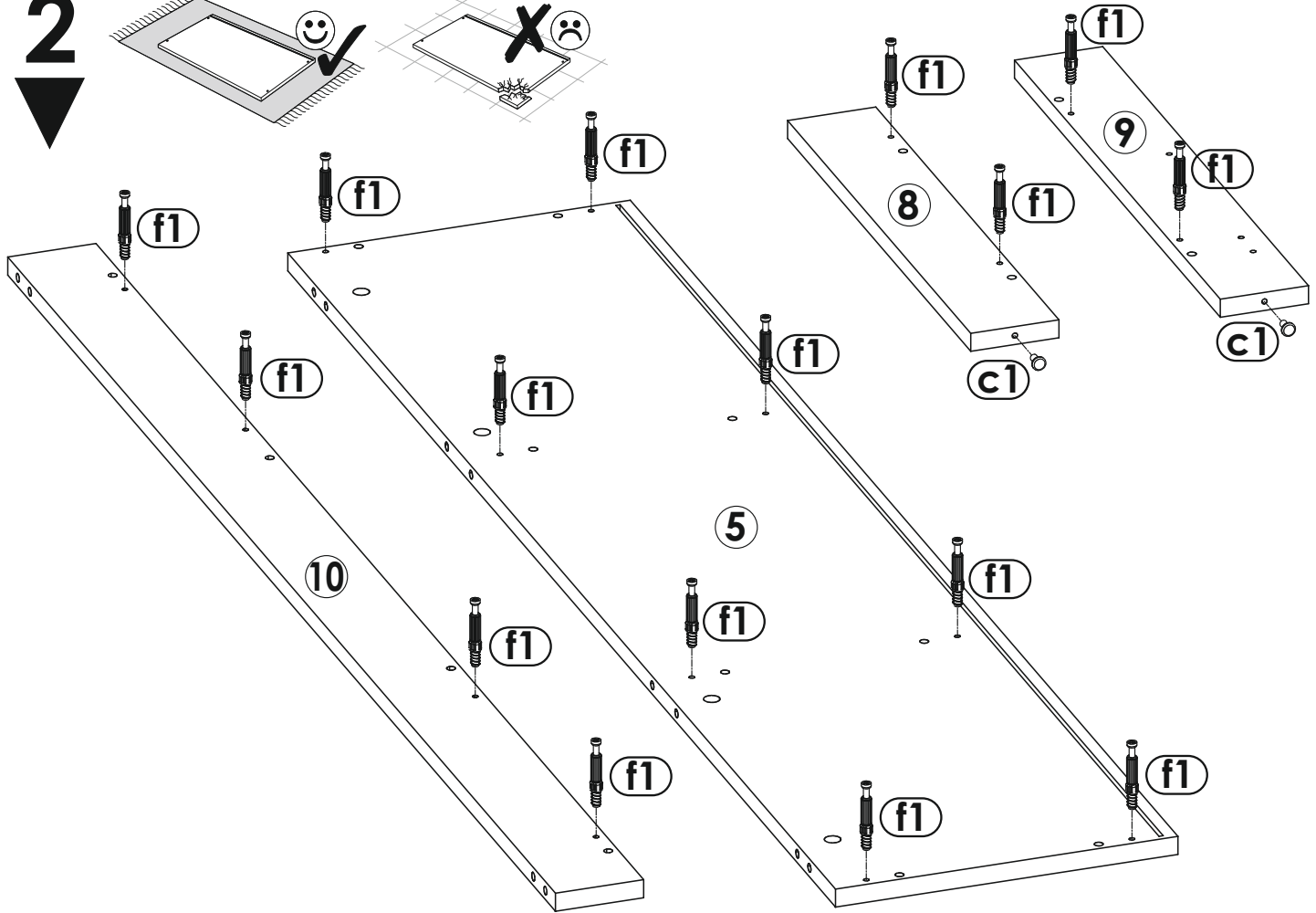
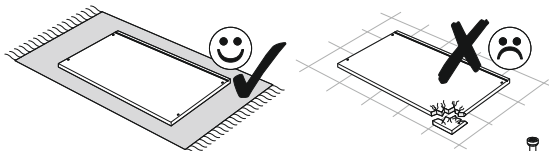
 z0 x4	 n2 x8	 z1 x4	 e0 x28	 e1 x28	 f1 x28	 h3 x8	 c1 x6
--------------	--------------	--------------	---------------	---------------	---------------	--------------	--------------

 n1 4x16 x8	 w1 ~15	 k1 x36	 p10 x2	 n7 x10
----------------------	---------------	---------------	---------------	---------------

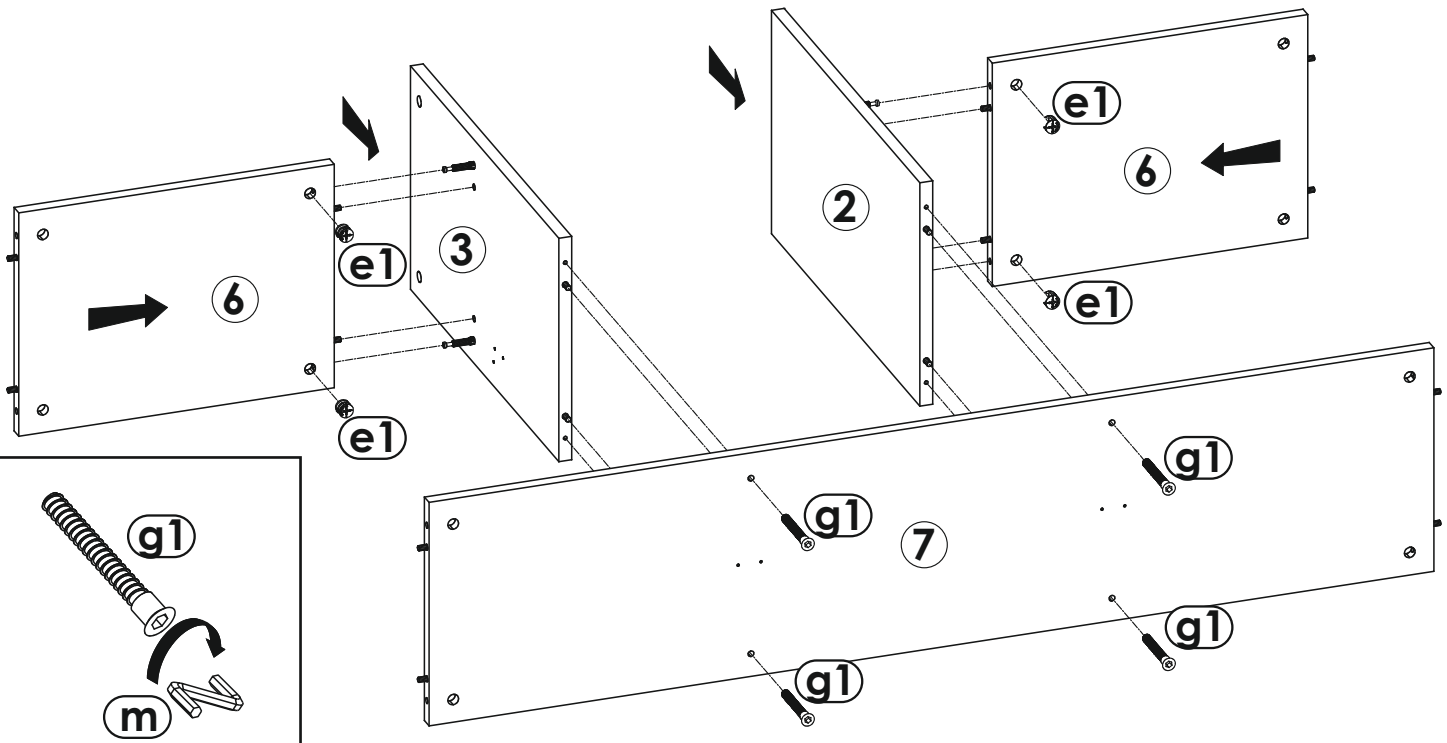
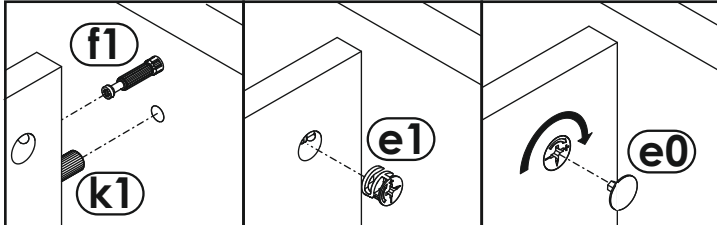
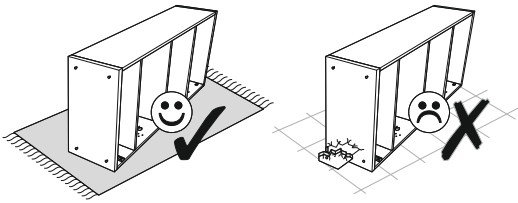


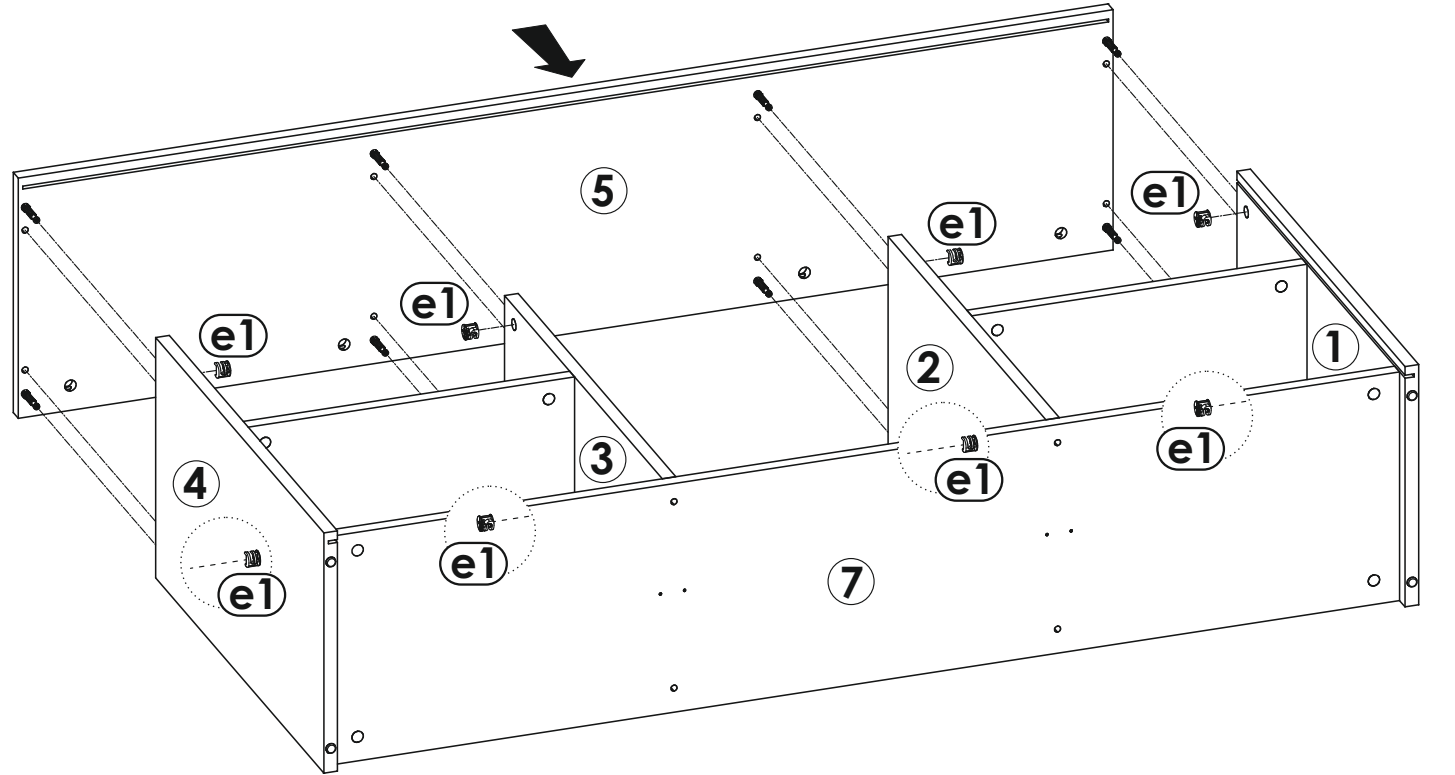
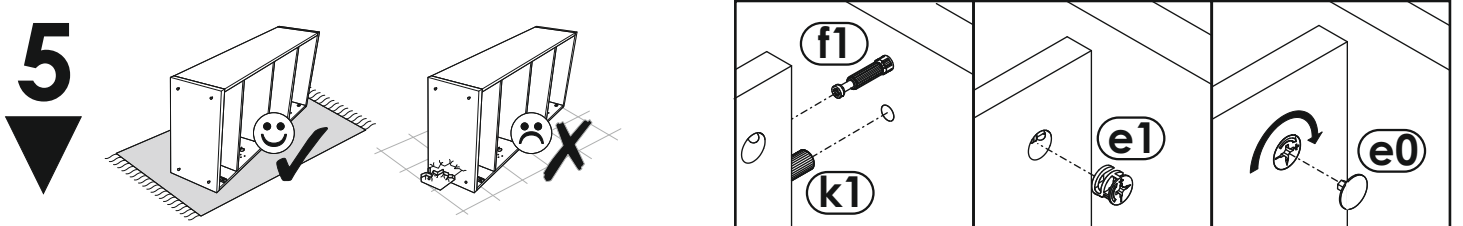
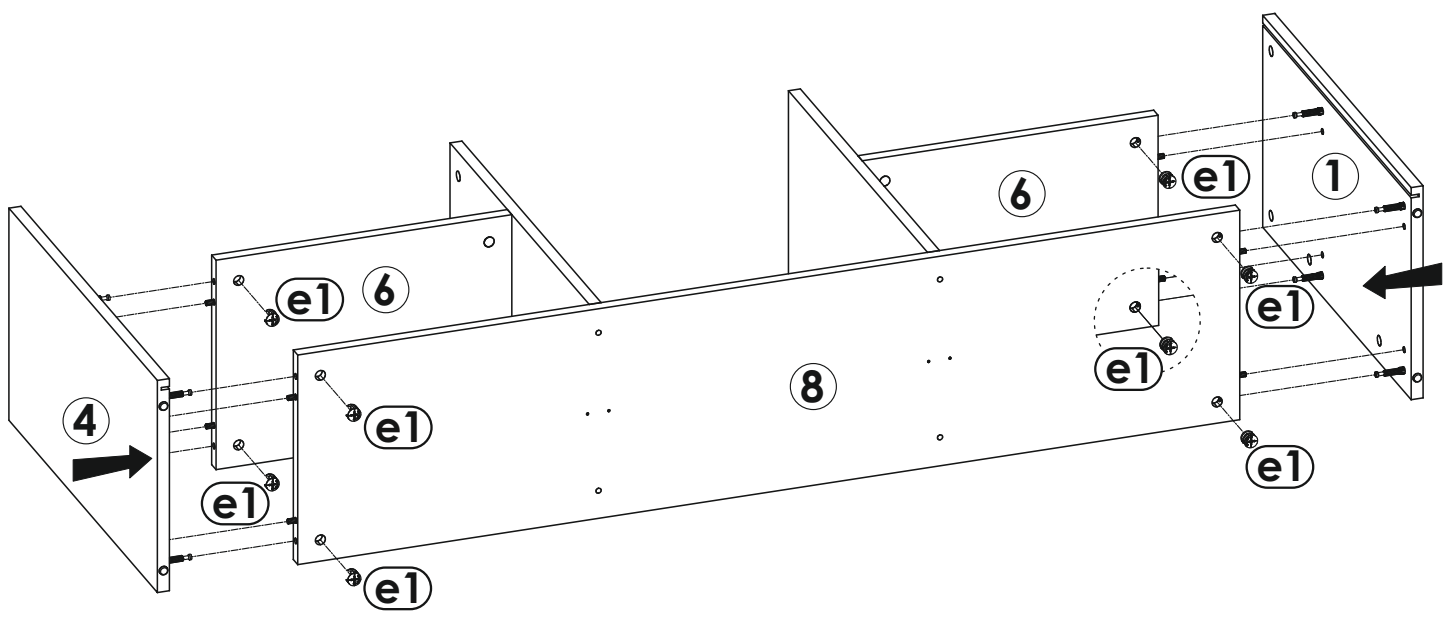
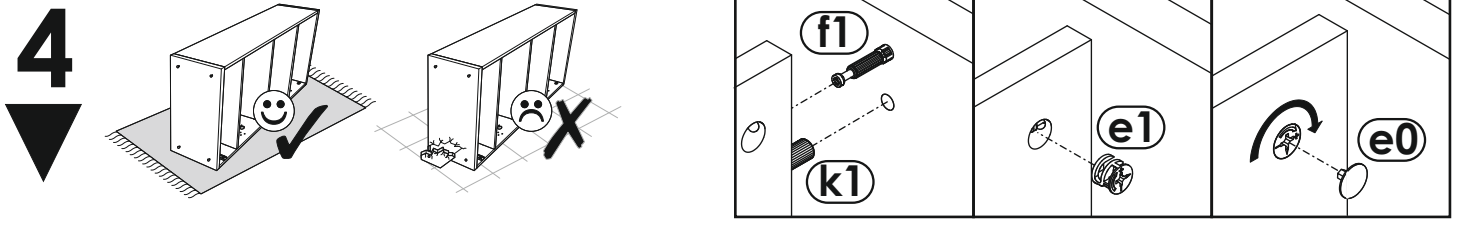


2



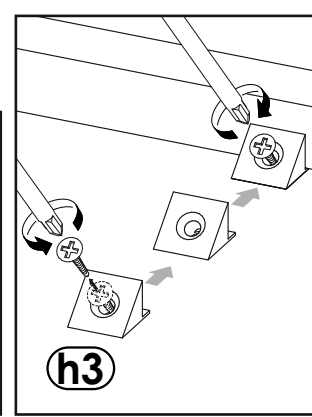
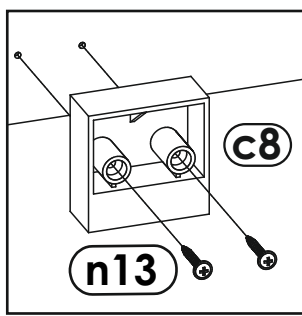
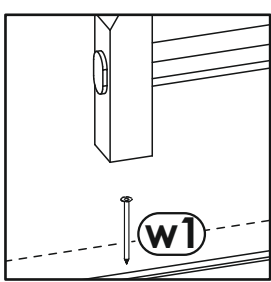
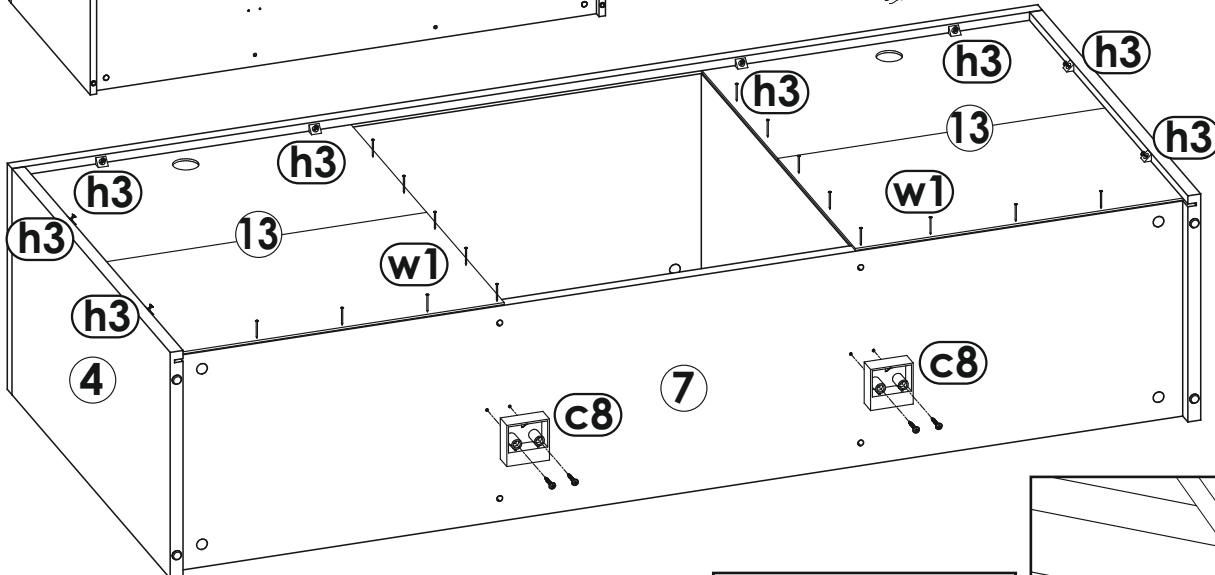
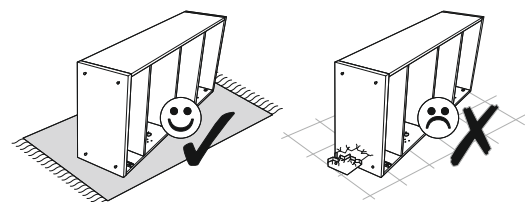
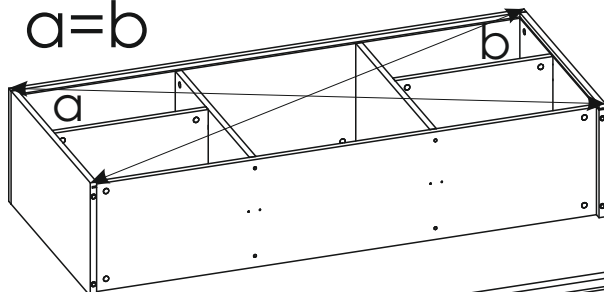
3



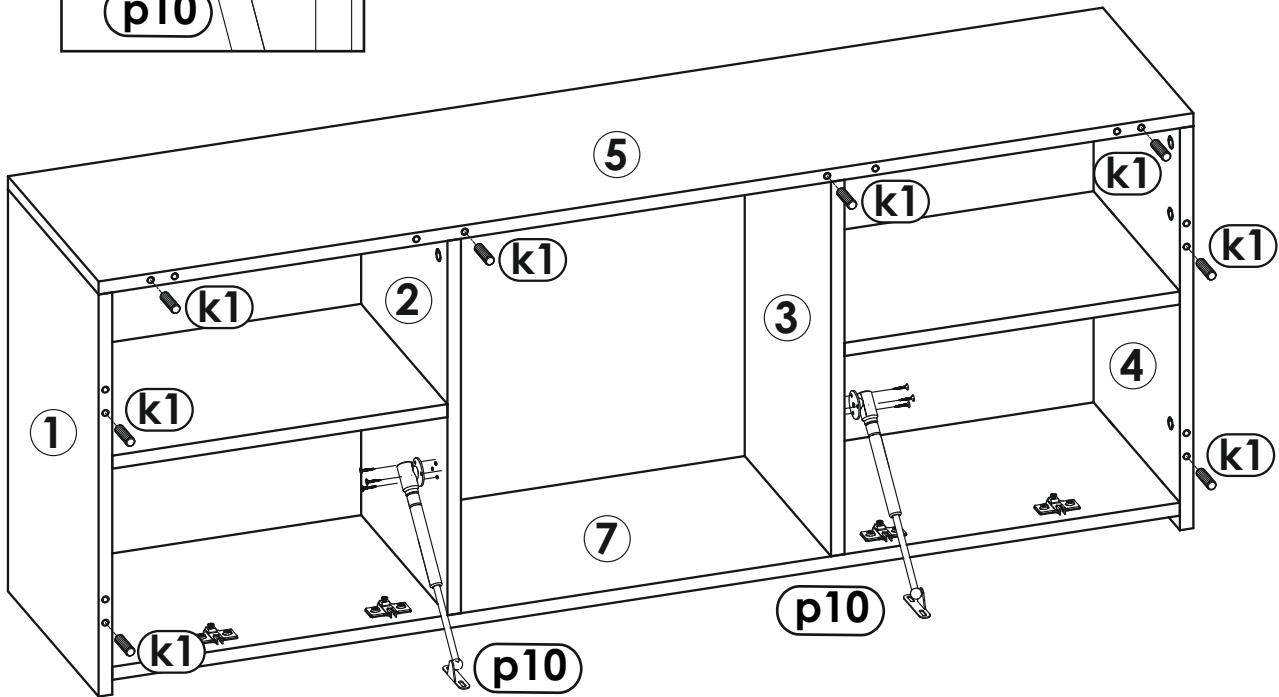
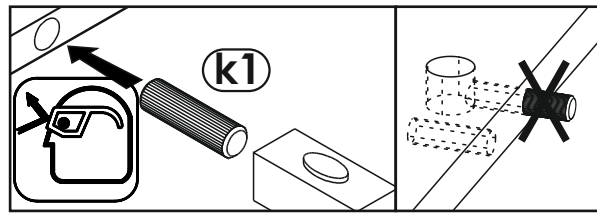
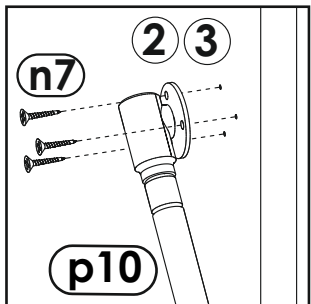


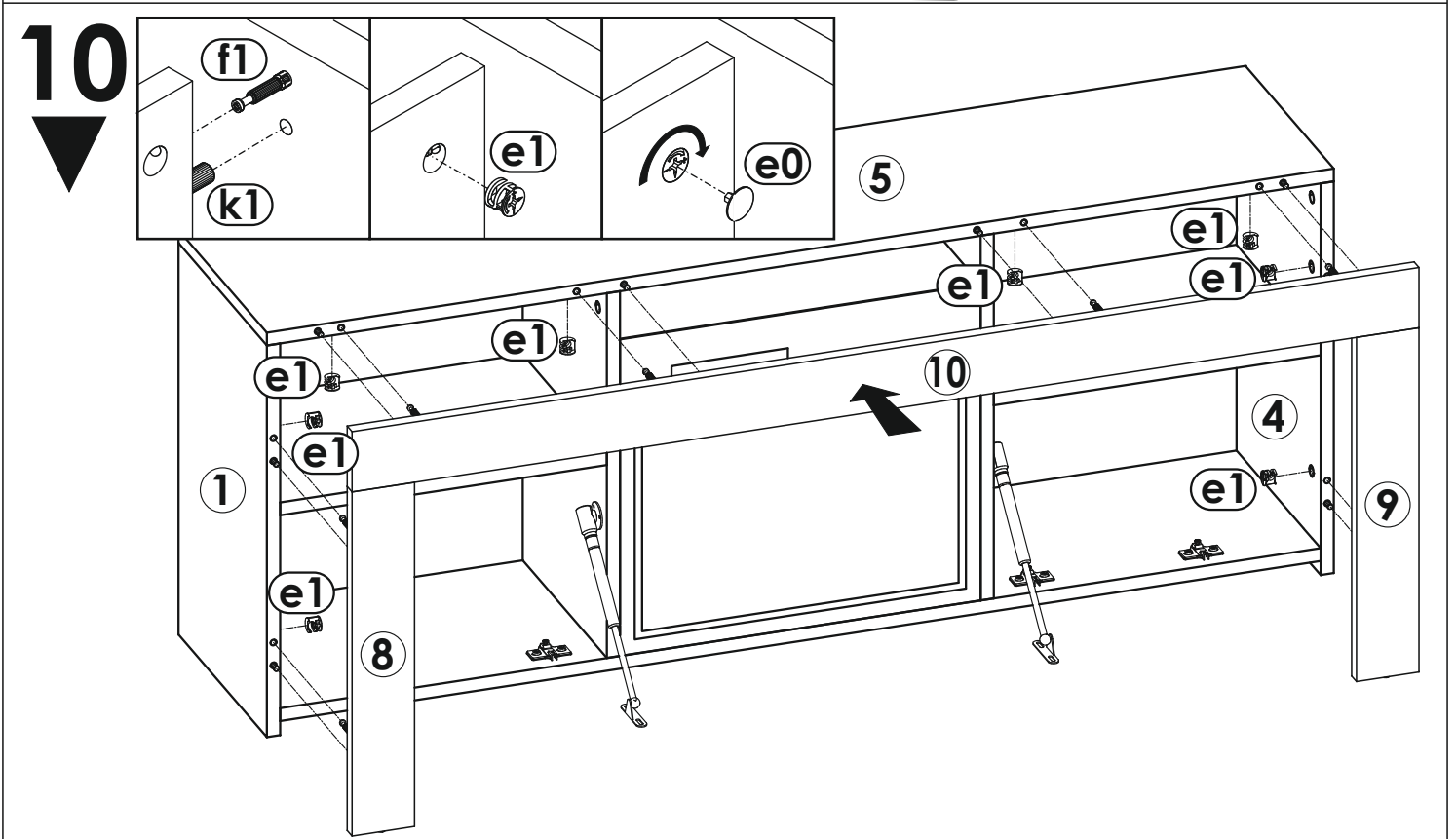
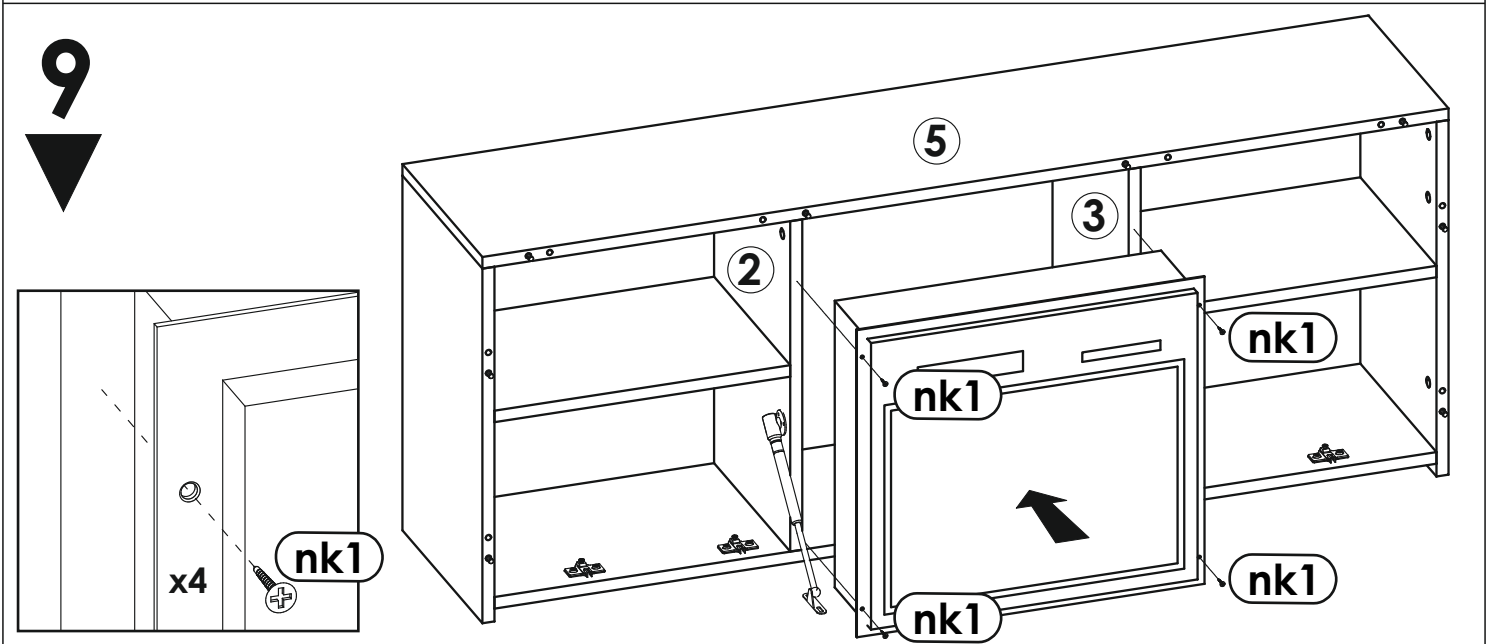
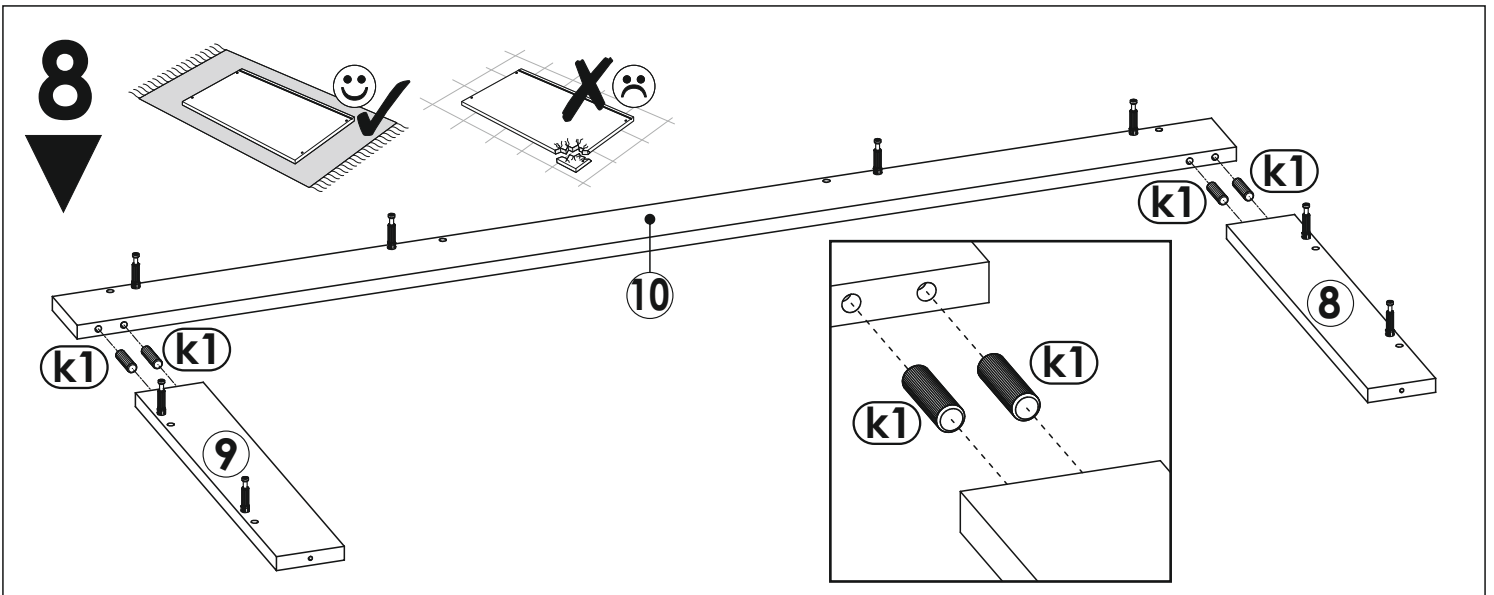
6

a=b

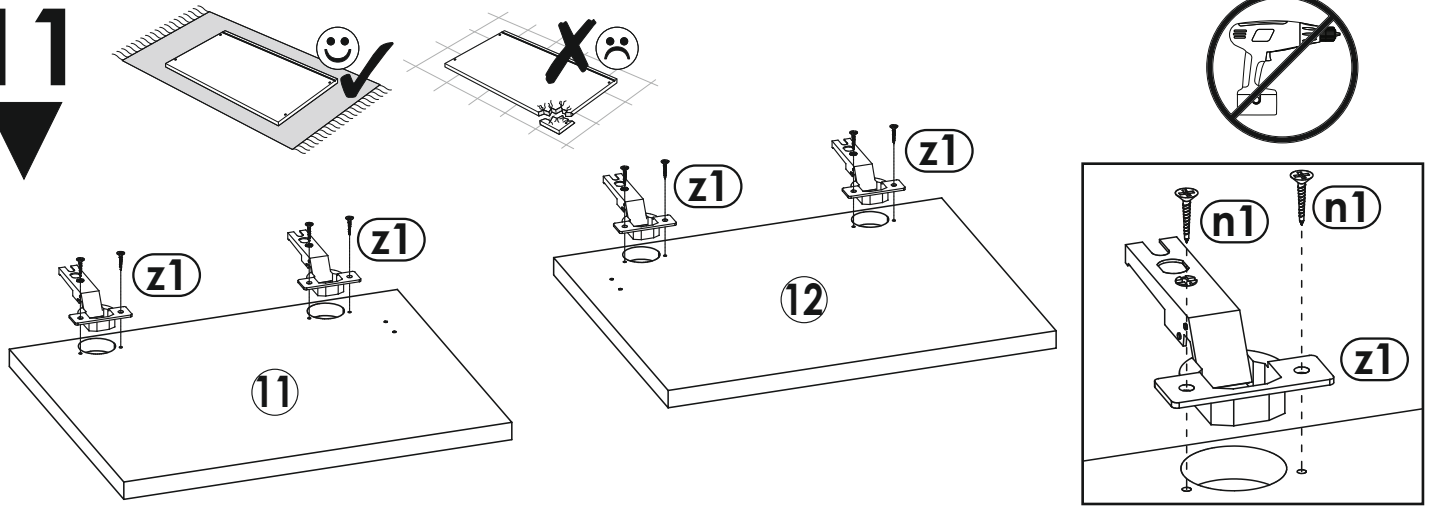


7





# 11



# 12

