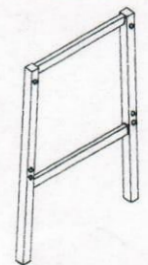
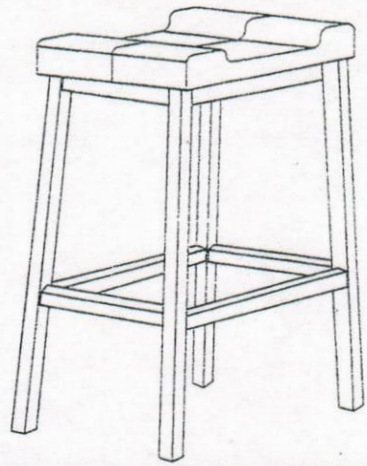
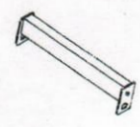


ASSEMBLY INSTRUCTIONS

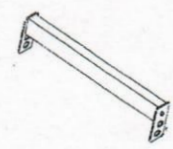
Note: Pls do not tighten all bolts until the chair is assembled completely



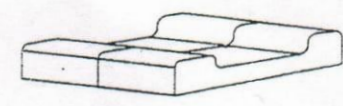
A*4PCS



B*4PCS



C*4PCS



D*2PCS

E*24PCS



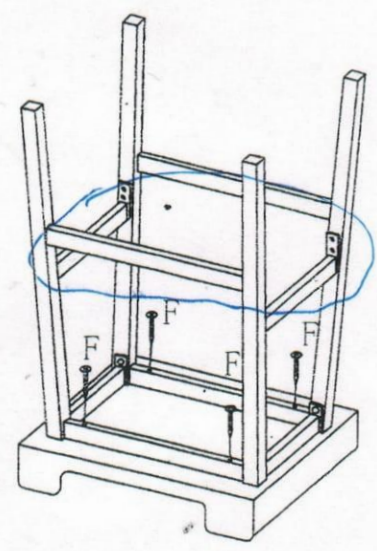
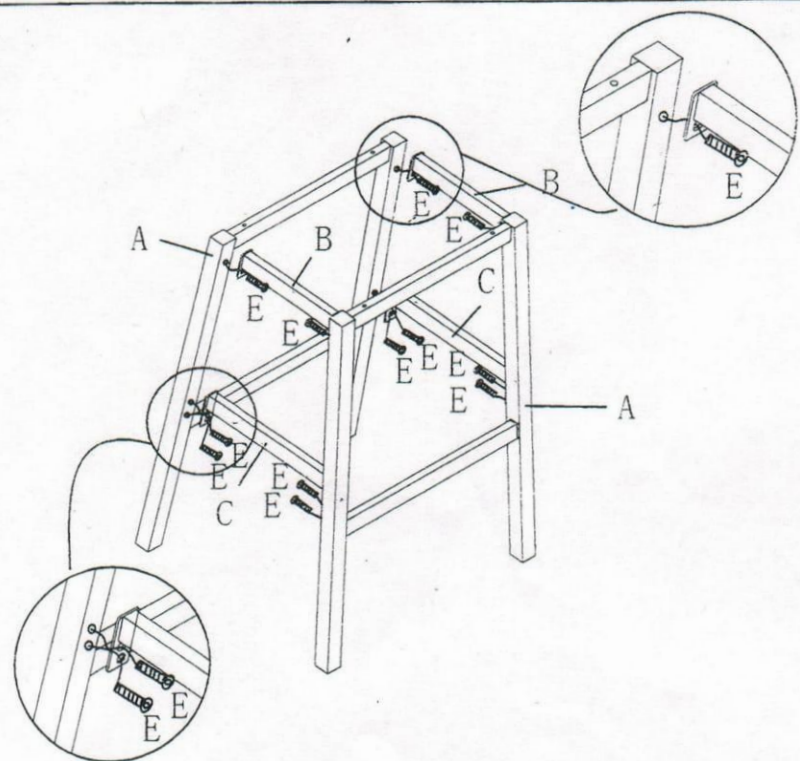
1/4"*16MM

F*8PCS



M5*40MM

G*1PCS



D