

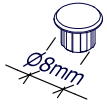
**A x 1**  
FI6105

**C x 1**  
CA2296

**U x 1**  
FS1603

**Z x 1**  
FI6107

**G8 x 4**  
FG0008



**G31 x 4**  
FG0031



**G57 x 10**  
FG0057



**H1 x 10**  
FH0001



**H15 x 8**  
FH0015



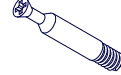
**H141 x 3**  
FH0141



**P16 x 4**  
FP0016



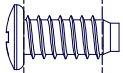
**T28 x 10**  
FT0028



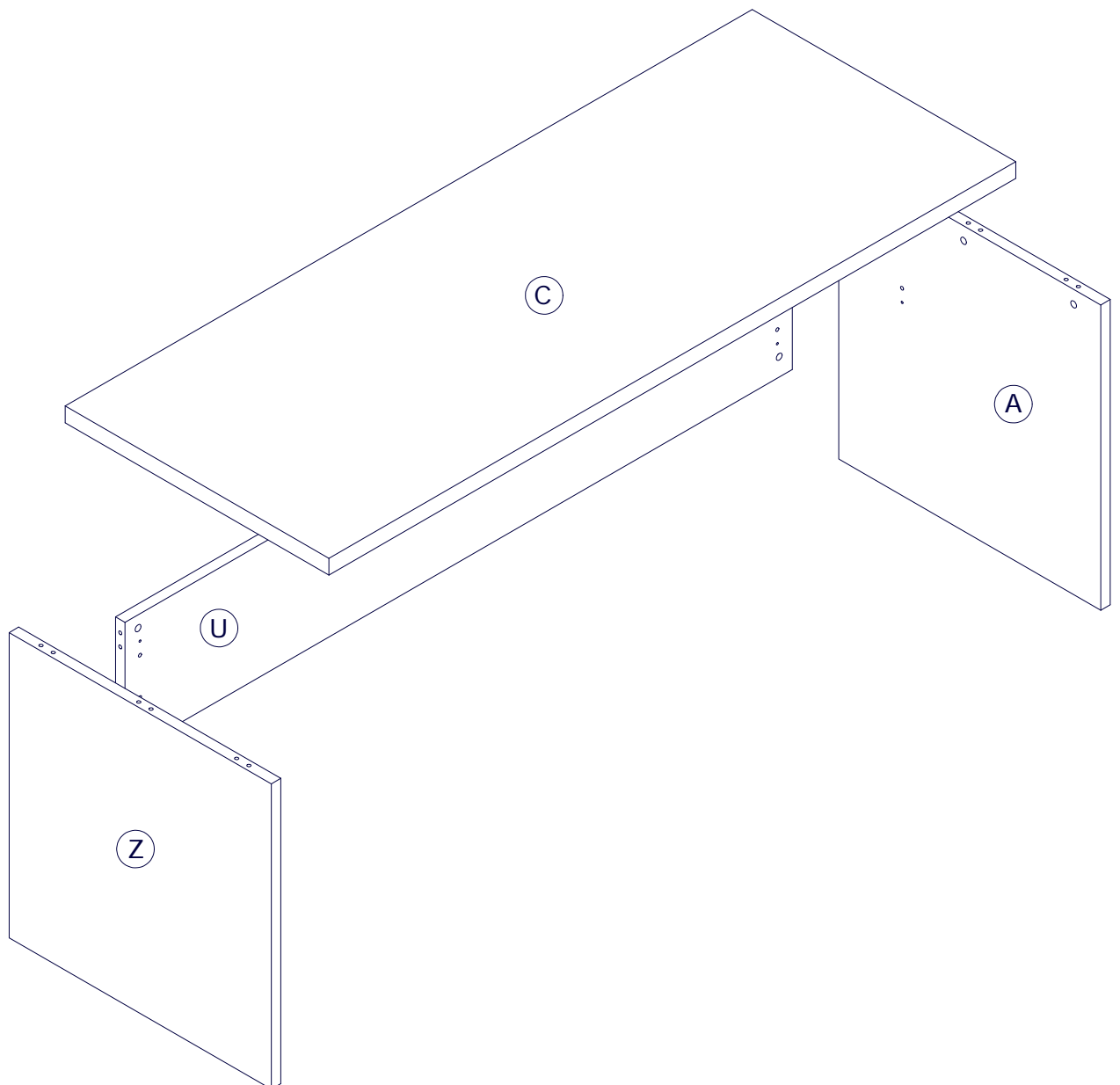
**T92 x 10**  
FT0092



mm 0 10 20



**V10 x 6**  
FV0010

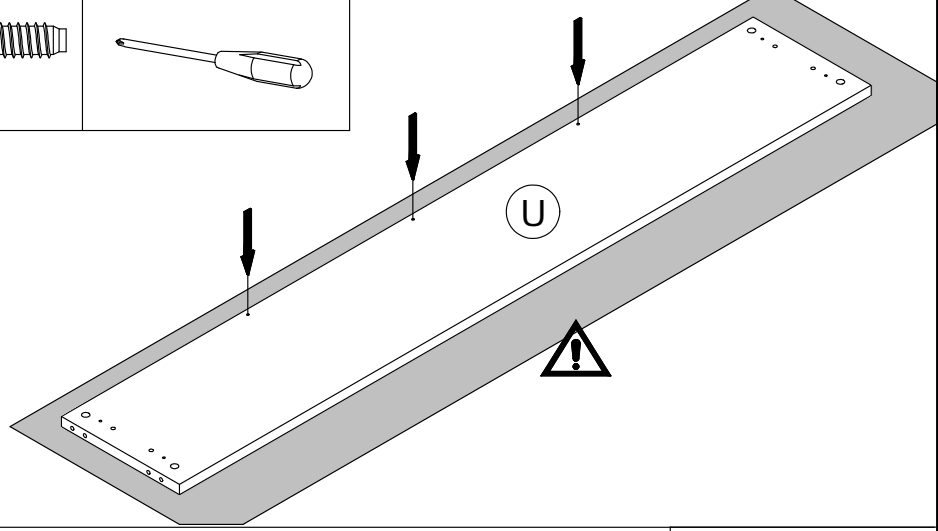
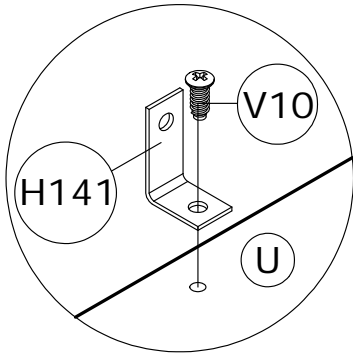
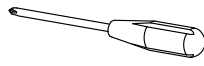
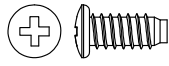


1

H141 x 3

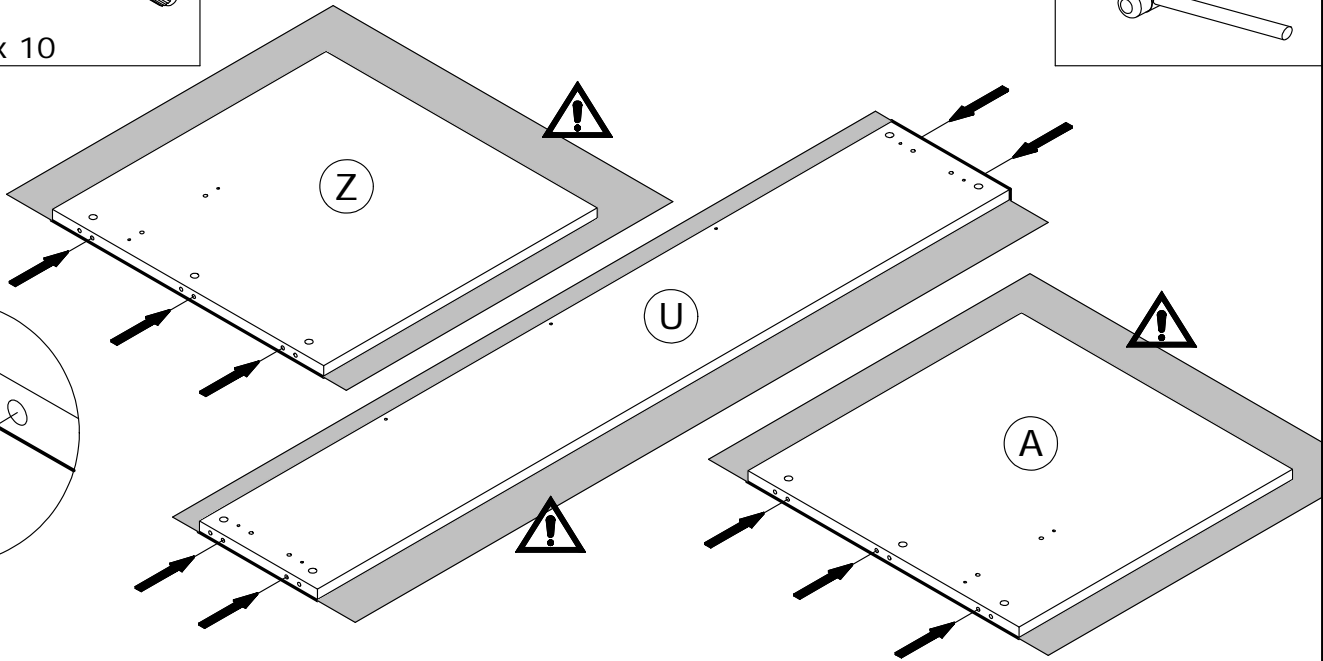
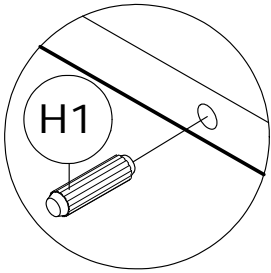
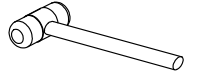


V10 x 3



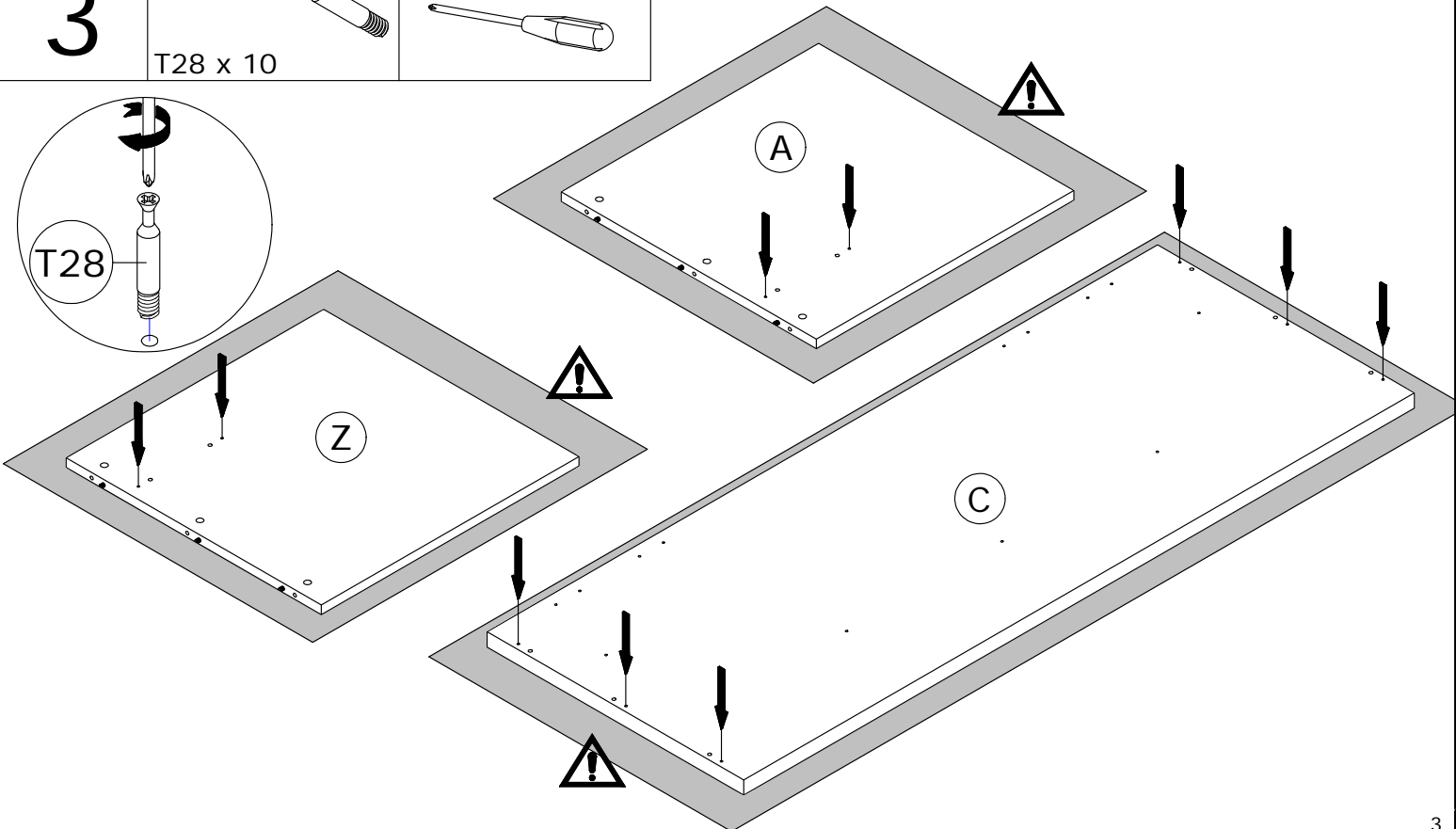
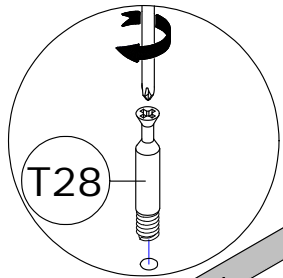
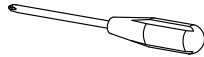
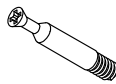
2

H1 x 10



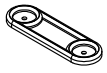
3

T28 x 10

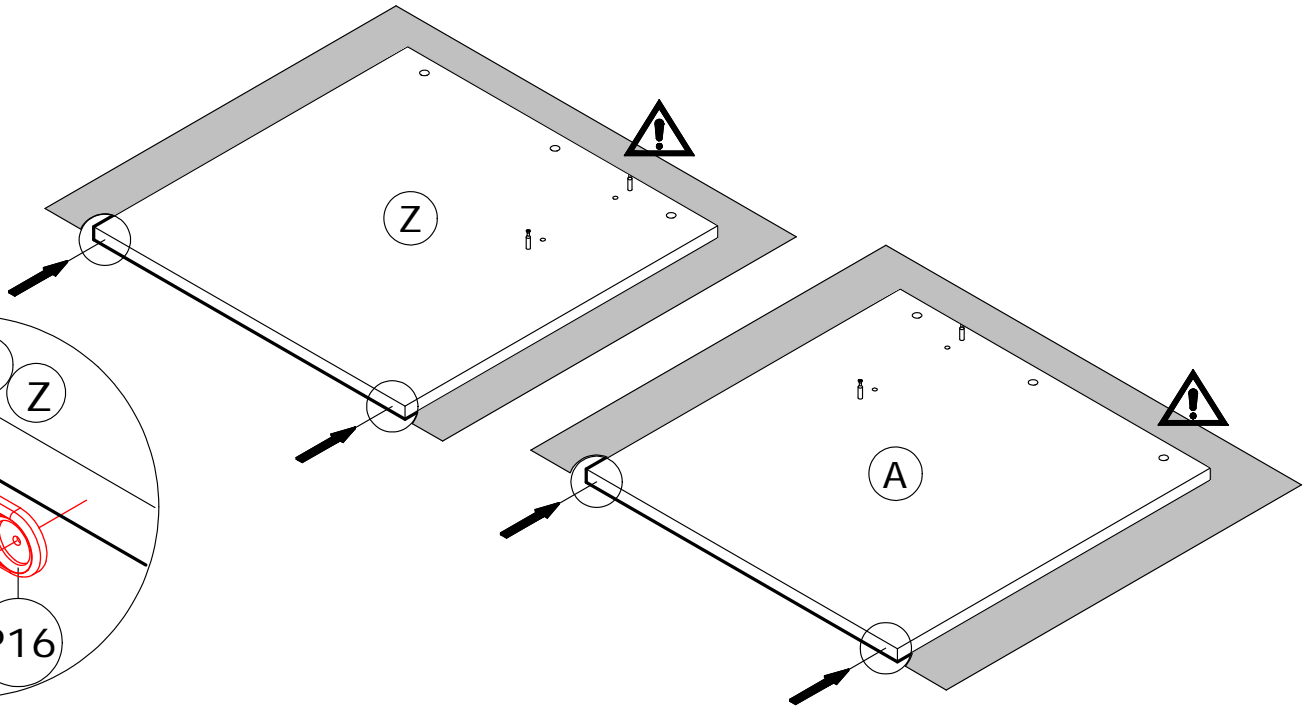


# 4

P16 x 4

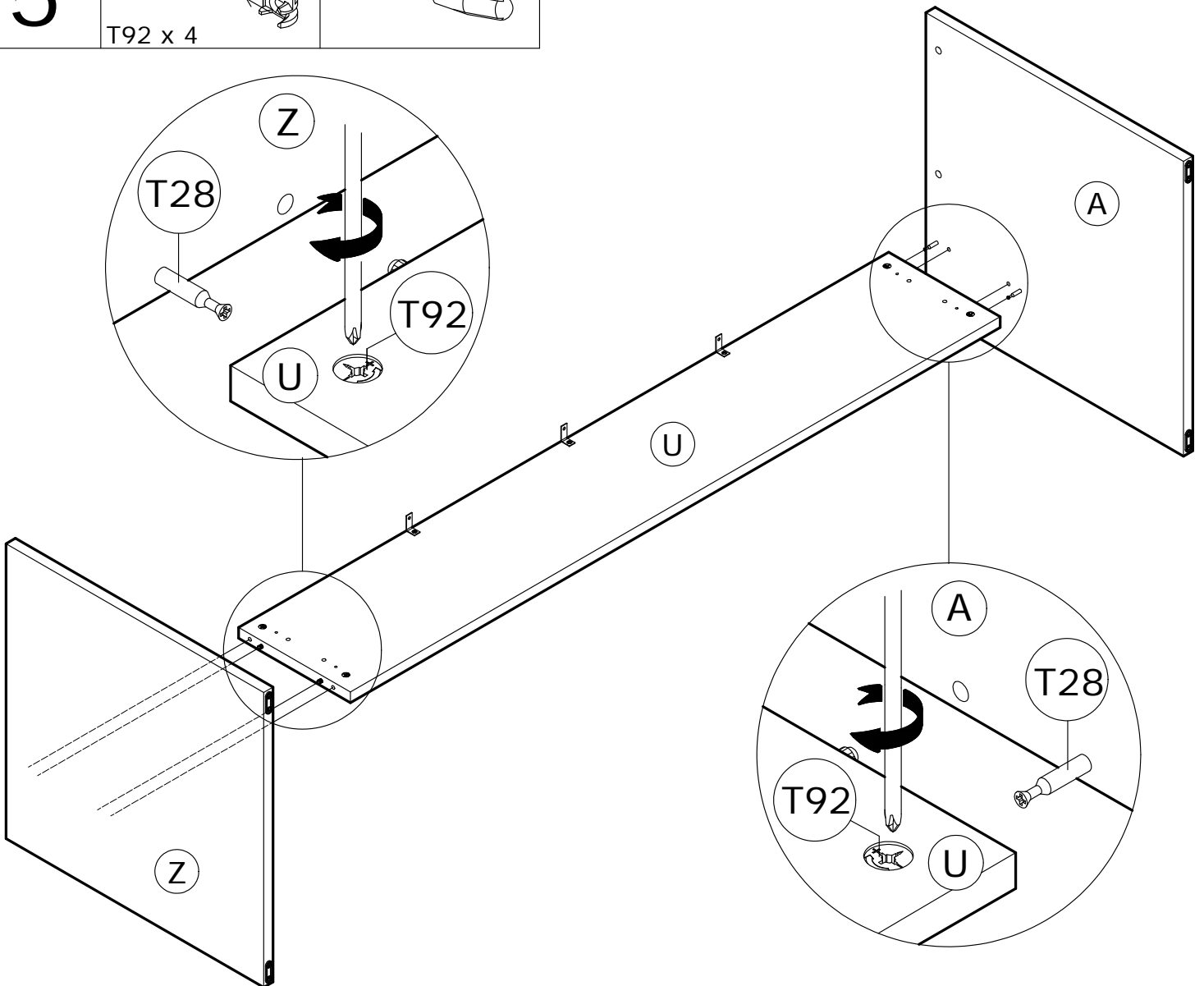
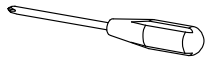
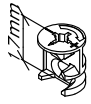


H15 x 8



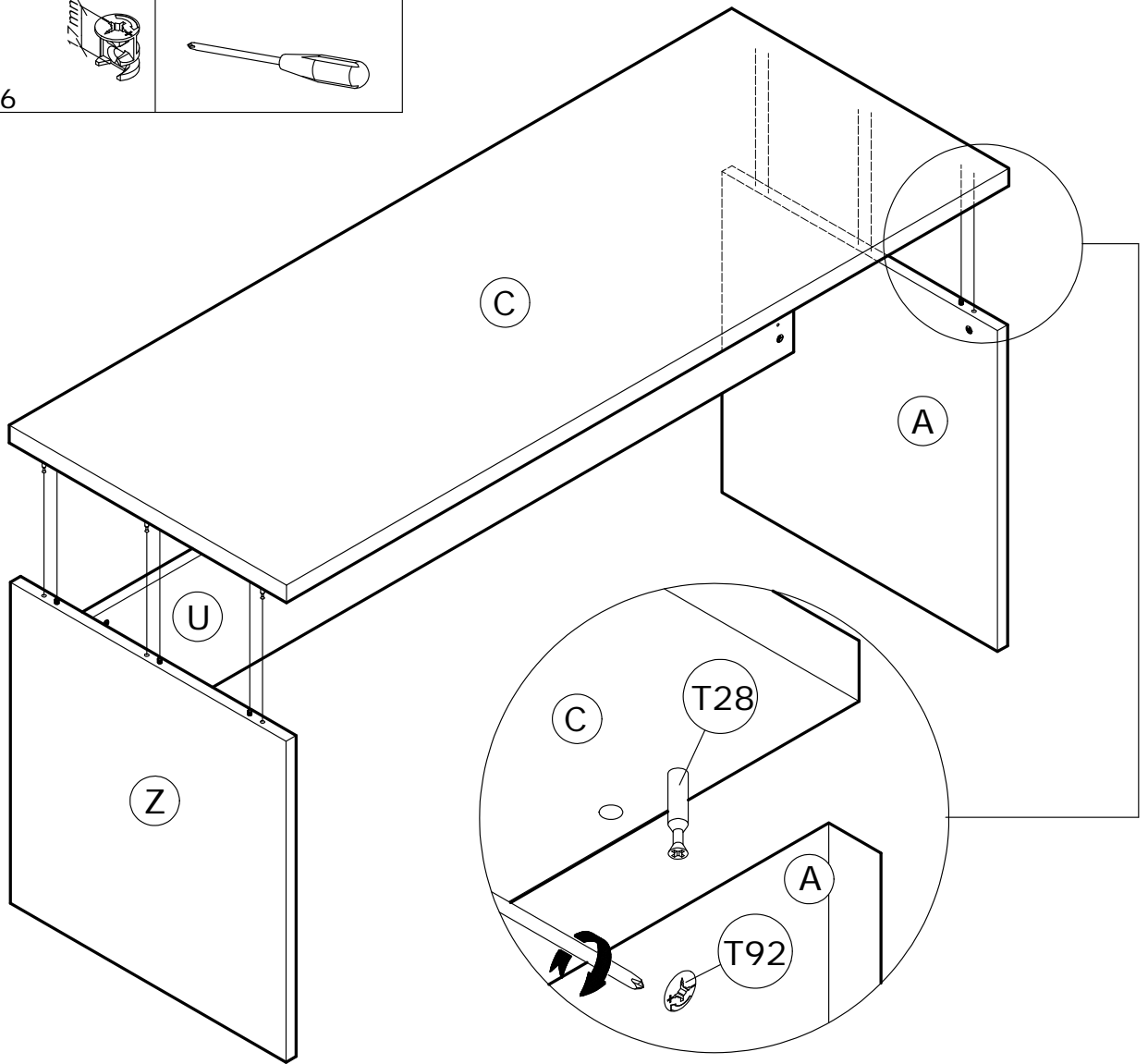
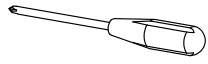
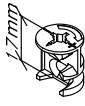
# 5

T92 x 4



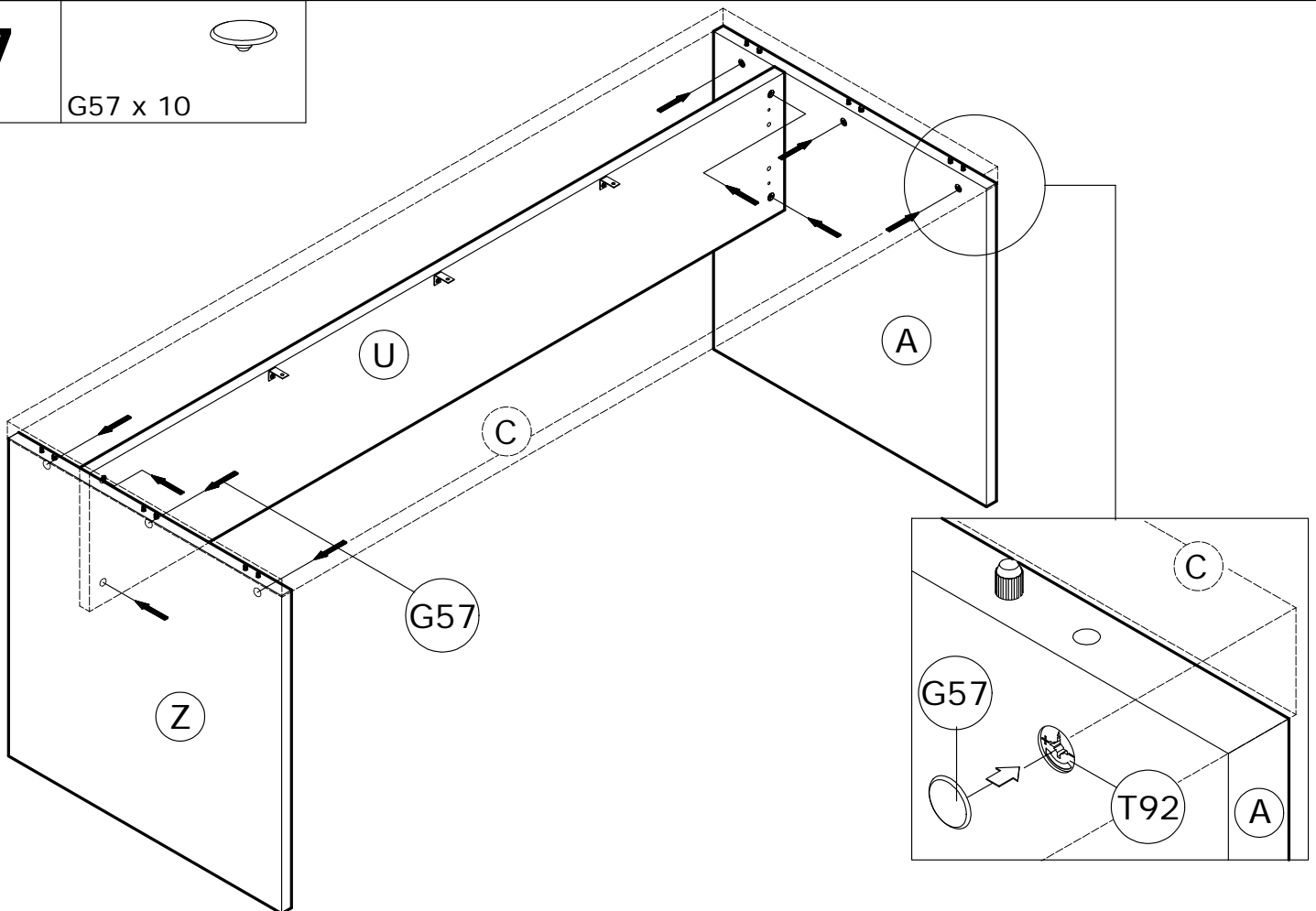
# 6

T92 x 6

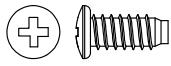


# 7

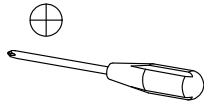
G57 x 10



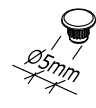
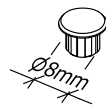
8



V10 x 3



G8 x 4



G31 x 4

