

Product Accessories

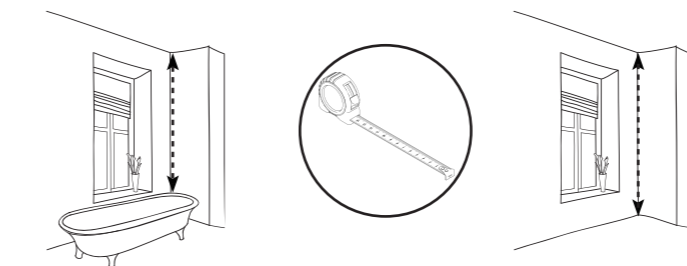
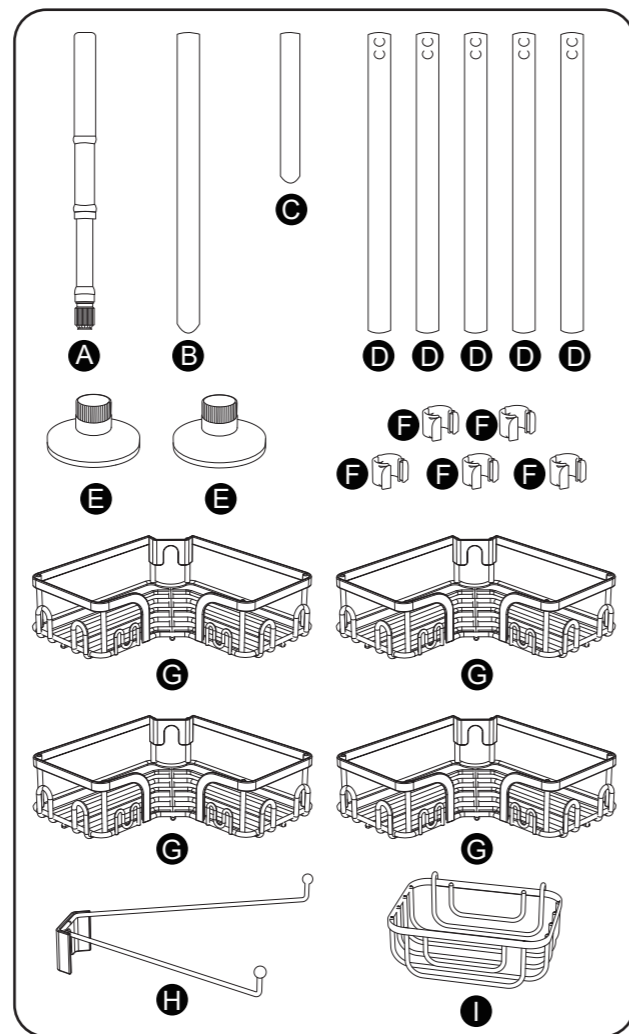
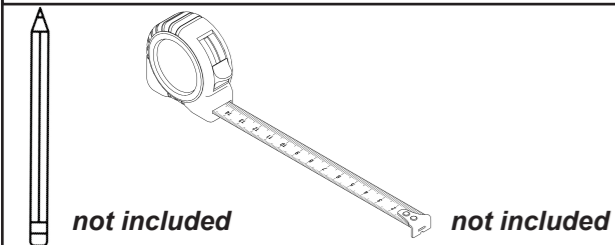
Thank you for purchasing this product!



Warning

Install in a clean, dry, and safe environment. Do not stand on tub ledge. Assemble on the floor

Tools needed



Measurement	Tubes used
26-33.7 in	A+B
33.7-41.4 in	A+B+C
40.8-48.5 in	A+B+(D*1)
48.5-56.2 in	A+B+C+(D*1)
55.6-63.3 in	A+B+(D*2)
63.3-71 in	A+B+C+(D*2)
70.4-78.1 in	A+B+(D*3)
78.1-85.8 in	A+B+C+(D*3)
85.2-92.9 in	A+B+(D*4)
92.9-100.6 in	A+B+C+(D*4)
100-107.7 in	A+B+(D*5)
107.7-115.4 in	A+B+C+(D*5)

Measurement: _____

Use tubes: **A + B +** _____

Please measure the space height before installation

1

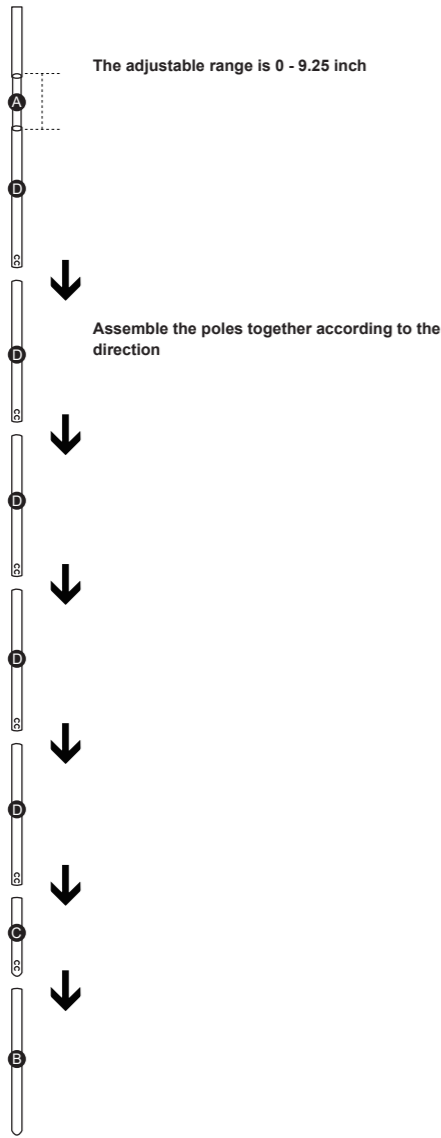
Keep the ring-shaped plastic part at the end position. This ring has a slit. Pinch the sides of the slit to make the opening smaller, then slide the ring into the D pole.

2

A & D can be telescoped to adjust the height when combined. The adjustable range is 0 - 9.25 inch

After adjusting to the desired height, hold tube D in place. Then rotate tube A to the left to secure it. If you need to adjust the height again, simply rotate tube A to the right to release it.

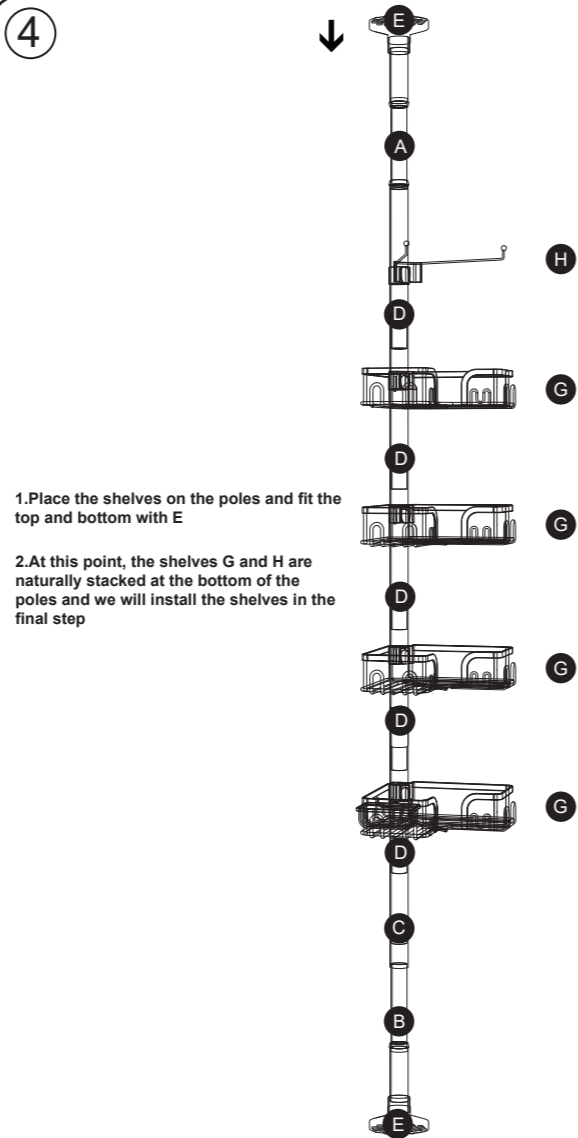
3



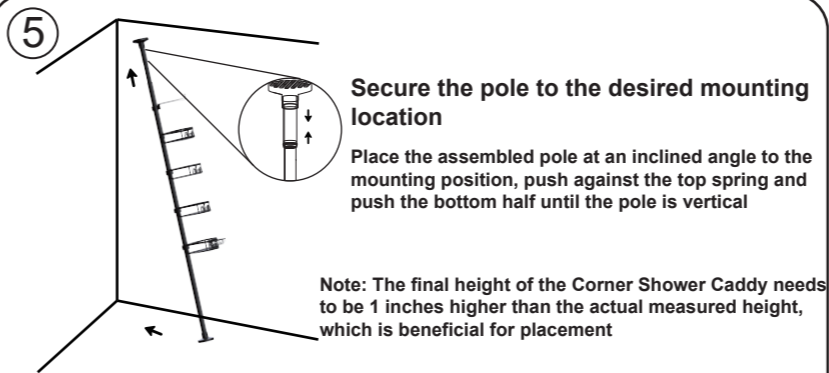
Select the required number of tubes according to the actual height (Refer to page 3 of the manual)

- 1.A and B are fixed in the top and bottom positions
- 2.C and D are positioned between A and B with the slotted end down

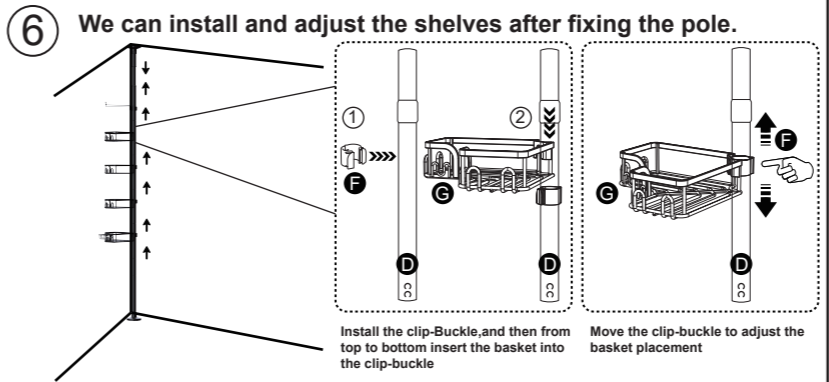
4



5



6



1.How to firmly install the shelves?

First, move the shelf along the pole to the desired position. Take the rubber piece, making sure the arrow points upward. Then insert it into the gap between the shelf's circular hole and the pole. This will secure the shelf in place

2.How to firmly install the pole between the ceiling and the ground?

We suggest that the assembled height be 1 inch higher than the actual required height. This can make the spring pole work better

3.What if the assembled poles is too high or too short?

- ① If the assembled poles are too high, you can reduce the telescopic height by adjusting the connection between top spring pole A and the adjacent standard pole D. These two poles are joined by a twisting motion, so simply reverse the twist to loosen them. Since the bottom diameter of top spring pole A is smaller than that of pole D, you can shorten the combined length to the height you need. Then twist them together again to tighten. (Refer to Step 1 on page 4.)
- ② If the assembled poles are not high enough, you can add standard pole D or the shorter pole C as needed. Should the assembled poles become too high after adding, simply refer to the previous section. You can then adjust and shorten the combined height of spring pole A and pole D accordingly